

BASEMENT FLOOR PLAN
SCALE: 1/4" = 1'-0"

LEGEND

	BEARING WALL
	NON BEARING WALL
	INDICATES BEARING FROM POINT-LOAD ABOVE
	JACKS
	BEAM/HEADER
	PAD FOOTING
	STEEL COLUMN
	PORTAL FRAME
	JOIST/TRUSS
	LVL
	ENGINEERING PAGE NUMBER

SEE FC DETAILS FOR FRAMING CONNECTORS

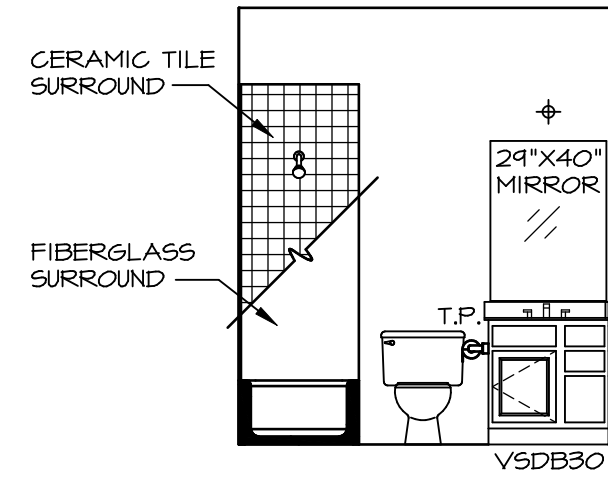
- FLOOR PLAN NOTES**
- ALL HEADERS ARE (2) 2x6 w/ 2x4 WALLS OR (3) 2x6 w/ 2x6 WALLS, UNLESS OTHERWISE NOTED.
 - ALL HEADERS TO HAVE (1) 2x4 OR 2x6 JACK EACH END, UNLESS OTHERWISE NOTED.
 - ALL EXTERIOR WALLS TO BE 4" AND ALL INTERIOR WALLS TO BE 3 1/2", UNLESS OTHERWISE NOTED.
 - HATCHED AREAS INDICATE DROPPED CEILINGS. ALL DROPPED CEILINGS ARE 12" UNLESS OTHERWISE NOTED.
 - SEE "BRACED WALL PANEL DETAIL SHEET" FOR SPECIAL WALL FRAMING LOCATIONS AND HEADER SIZES, IF APPLICABLE.
 - SEE STANDARD DETAIL CATEGORY "11" SHEET(S) FOR INTERIOR TRIM DETAILS.
 - SEE ARCHITECTURAL DETAIL SHEET "AD" FOR HOUSE SPECIFIC INTERIOR TRIM OPTION TABLE.
 - ALL WINDOWS HAVE 1'-0 1/2" HEADER HEIGHT UNLESS OTHERWISE NOTED.

- GYPSUM NOTES**
- AT GARAGE:**
GYPSUM BOARD AT COMMON WALLS, CEILING, BEAM WRAPS AND SUPPORTS PER STANDARD DETAIL FA-1(b) FIRE ASSEMBLIES OR AS REQUIRED BY LOCAL CODE.
- AT STAIRS:**
1/2" GYPSUM BOARD AT UNDERSIDE OF STAIRS AND WALLS IN CLOSET
- BASEMENT WITH I-JOIST FLOOR SYSTEM ABOVE:**
WITH OPTION "SC1" - DRYWALL UNFINISHED BASEMENT CEILING AREA
- NOTES:**
- 1/2" GYPSUM WALL BOARD REQUIRED ON CEILING IN UNFINISHED AREAS WHEN NO SPRINKLER SYSTEM IS INSTALLED.
 - A MAXIMUM AREA OF 80 SQ FT MAY BE OMITTED AS NEEDED FOR INSTALLATION OF PLUMBING, ELECTRICAL, AND/OR HVAC (TYPICALLY AN 8'-0"x8'-0" CEILING SPACE ABOVE MECHANICAL AREA).
 - PROVIDE FIRE BLOCKING AS REQUIRED AT PERIMETER OF ANY AREAS WHERE DRYWALL HAS BEEN OMITTED.

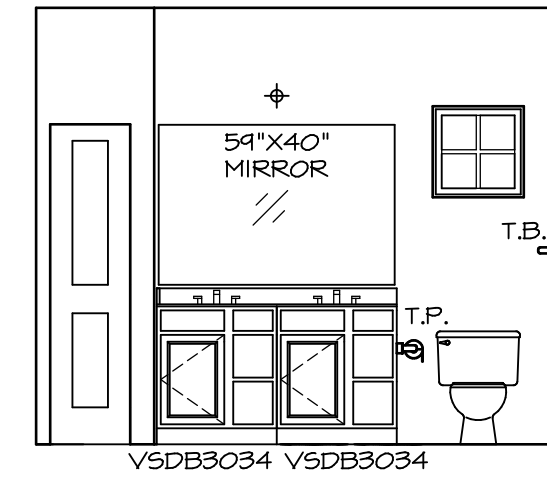
SHEET NO. A-6	MODEL PISA TORRE	SET NO. PS100	REVISIONS	REMARKS
		VERSION 02	NO. DATE	
DRAWING TITLE BASEMENT FLOOR PLAN	OPTION DESCRIPTION	DRAWN BY	08/07/16 TH - DRAWING ALIGNMENT	
		DATE:		
		OPTION		
34				

NVR, Inc.
 Architectural Services
 Architects
 5285 West Lakeshore Drive, Suite 100
 Frederick, MD 21703

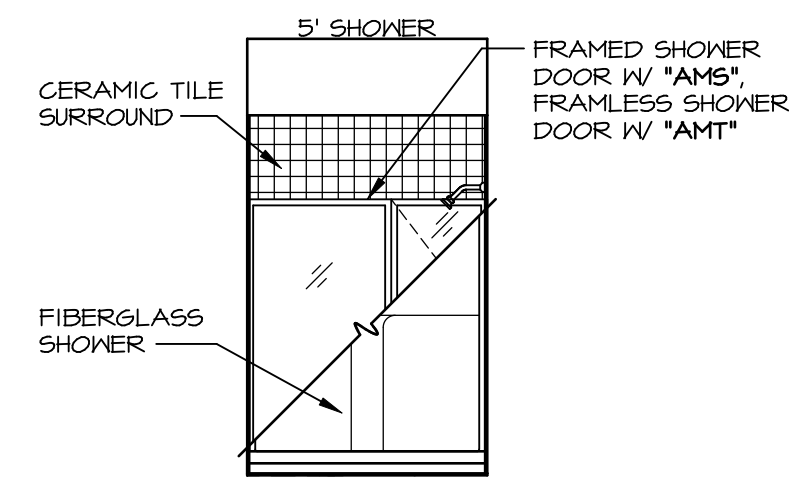
C:\NVR\Solves\PISA_TORRE_PS100_02\DCY-AK-0100\1183099\SheetA Lot 1 Specific 34 A-6 BSM1_LS.dwg 04/08/19 - 9:09 am



A BATH #1
SCALE: 1/4" = 1'-0"



B OWNER'S BATH
SCALE: 1/4" = 1'-0"



C OWNER'S BATH
SCALE: 1/4" = 1'-0"

NOTES:

1. TEMPERED GLASS SHOWER ENCLOSURE WITH SWING DOOR OR OPTIONAL SLIDING DOOR BY DIVISION
2. TUB ACCESS PANELS PROVIDED AS NEEDED, ALL MATERIALS BY DIVISION
3. REFER TO SHEET IT-2 FOR TUB AND SHOWER DETAILS.
4. ALL V5DB24-42 DRAWERS TO BE SET ON RIGHT HAND.
5. BATH ELEVATIONS ARE SHOWN PER PLAN.

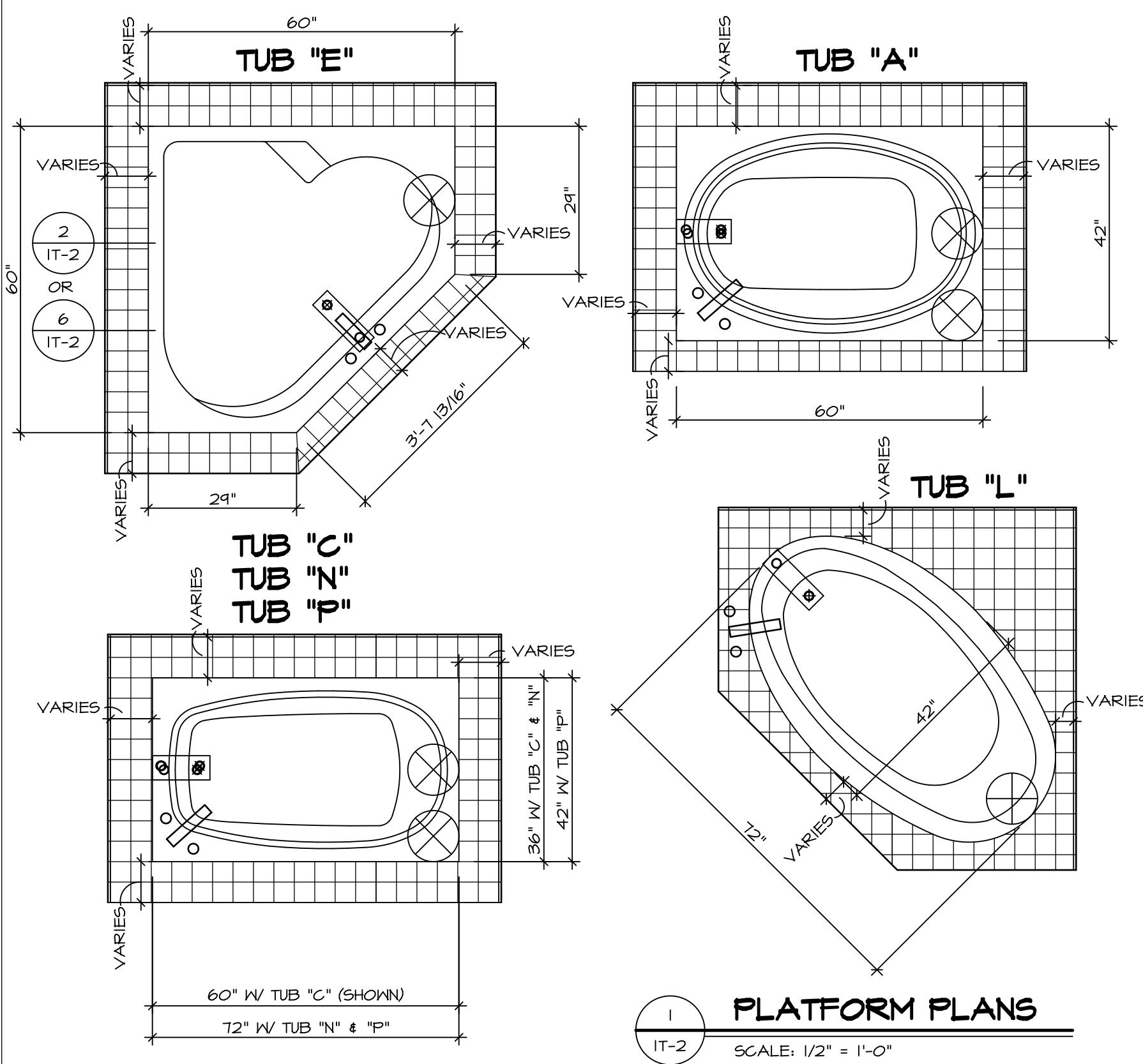
NOTES
• WINDOWS VARY PER OPTION.

SHEET NO.	MODEL	SET NO.	OPTION
A-14	PISA TORRE	PSTCO	
	DRAWING TITLE	VERSION	
	BATH ELEVATIONS	O2	
		DRAWN BY	
		DATE:	
		OPTION	

NVR
NVR, Inc.
Architectural Services
Architects
5285 Westpark Drive, Suite 100
Frederick, MD 21703

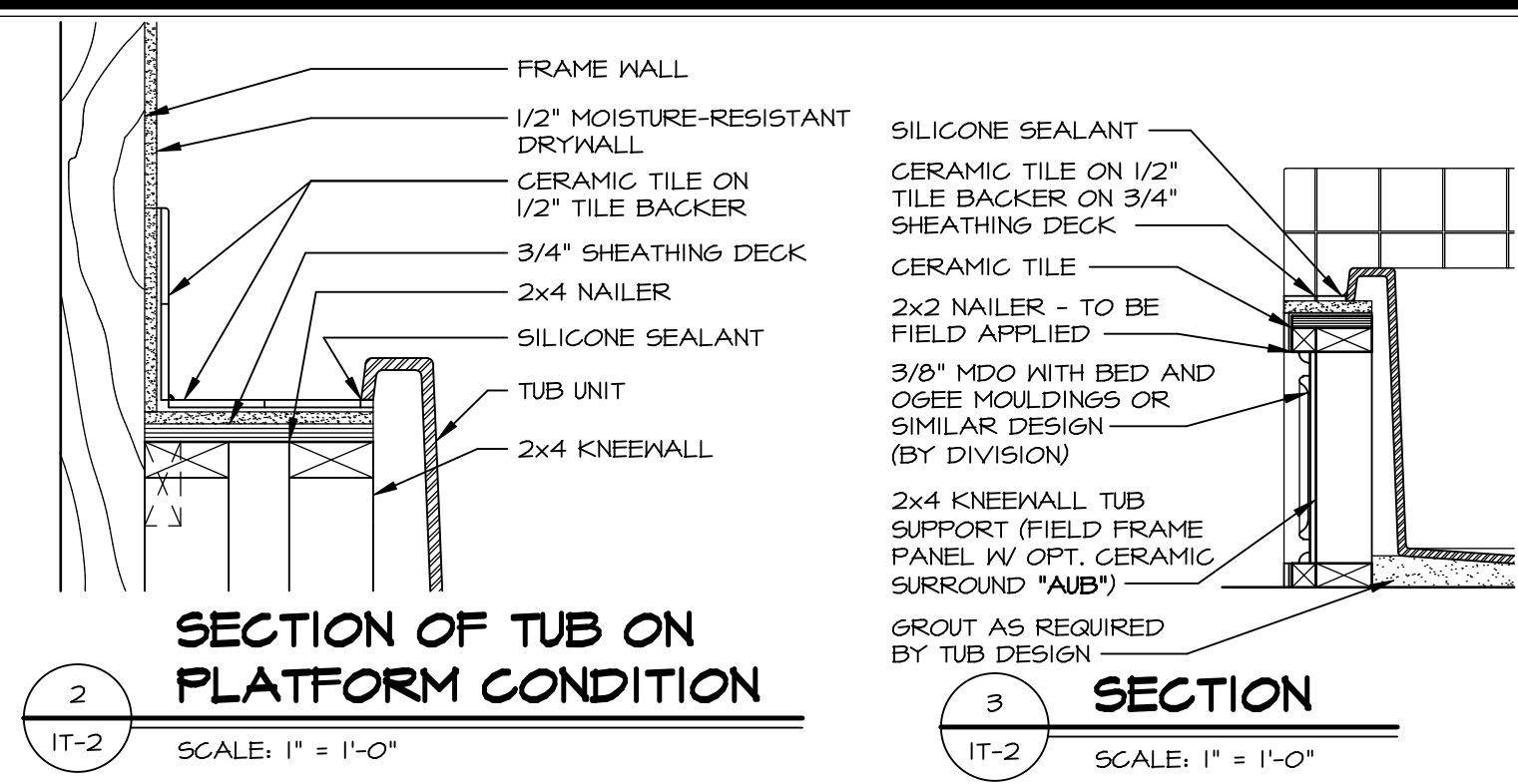
NVR, Inc., owner, expressly reserves its copyright in these plans. These plans are not to be reproduced, changed, copied, or otherwise used in any way without the prior written consent of NVR, Inc.

REV. NO.	DATE	REMARKS
1	08/07/16	TM - DRAINING ALIGNMENT

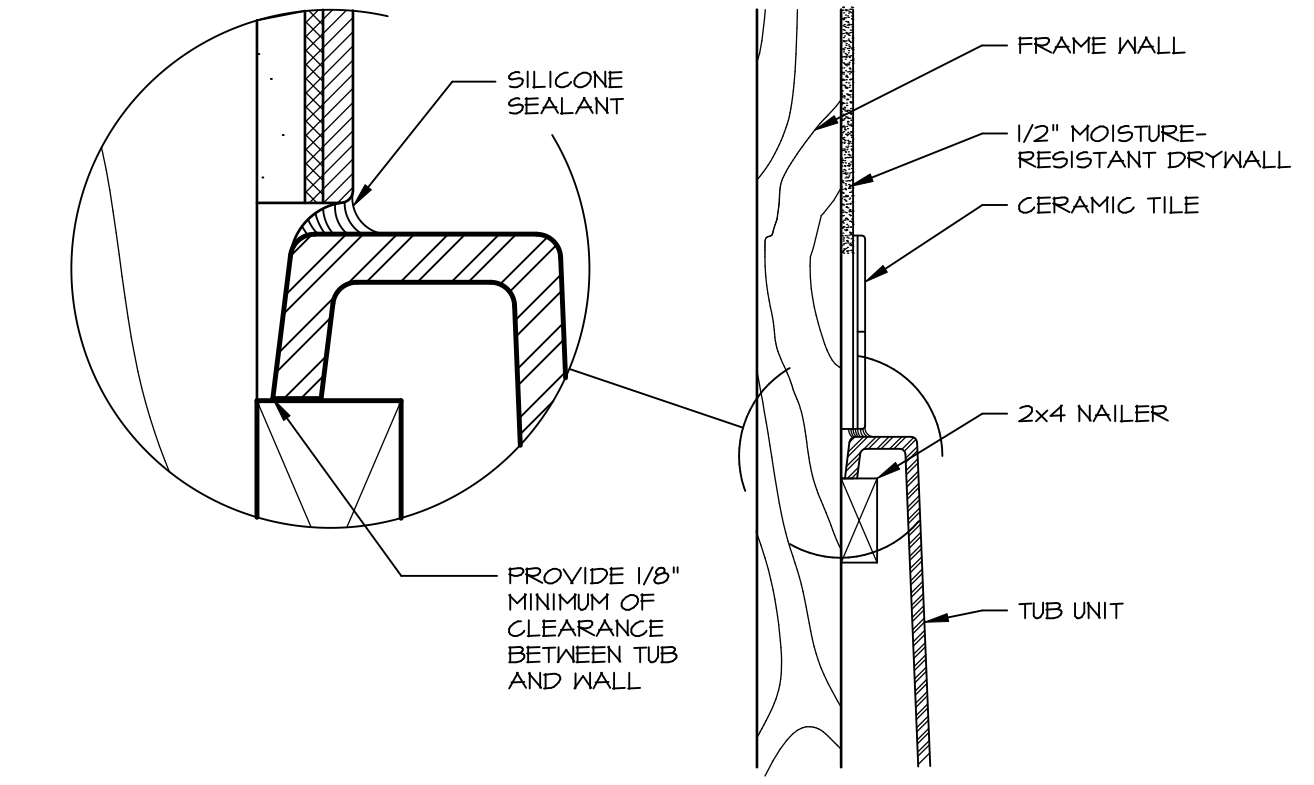


1 PLATFORM PLANS
SCALE: 1/2" = 1'-0"

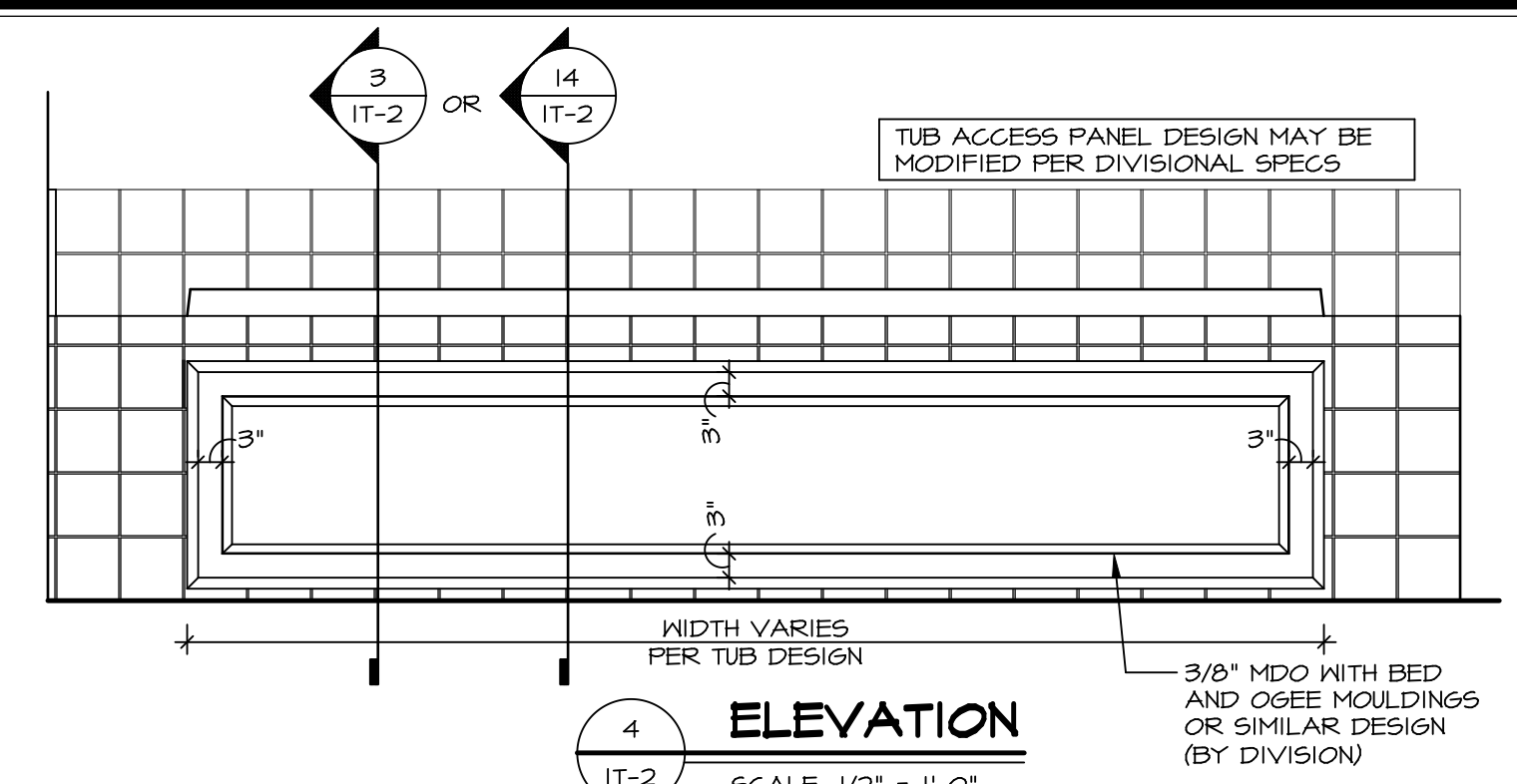
TUB	MANUF.	HEIGHT	WIDTH	LENGTH	TUB DECK PANEL HEIGHT
"A"	KOHLER/STERLING	18 3/4"	42"	60"	17 1/8"
"C"	KOHLER/STERLING	18 3/4"	36"	60"	17 1/8"
"E"	KOHLER/STERLING	19 1/2"	60"	60"	17 7/8"
"L"	KOHLER/STERLING	18 1/2"	42"	72"	16 7/8"
"N"	KOHLER/STERLING	18 3/4"	36"	72"	17 1/8"
"P"	KOHLER/STERLING	18 3/4"	42"	72"	17 1/8"



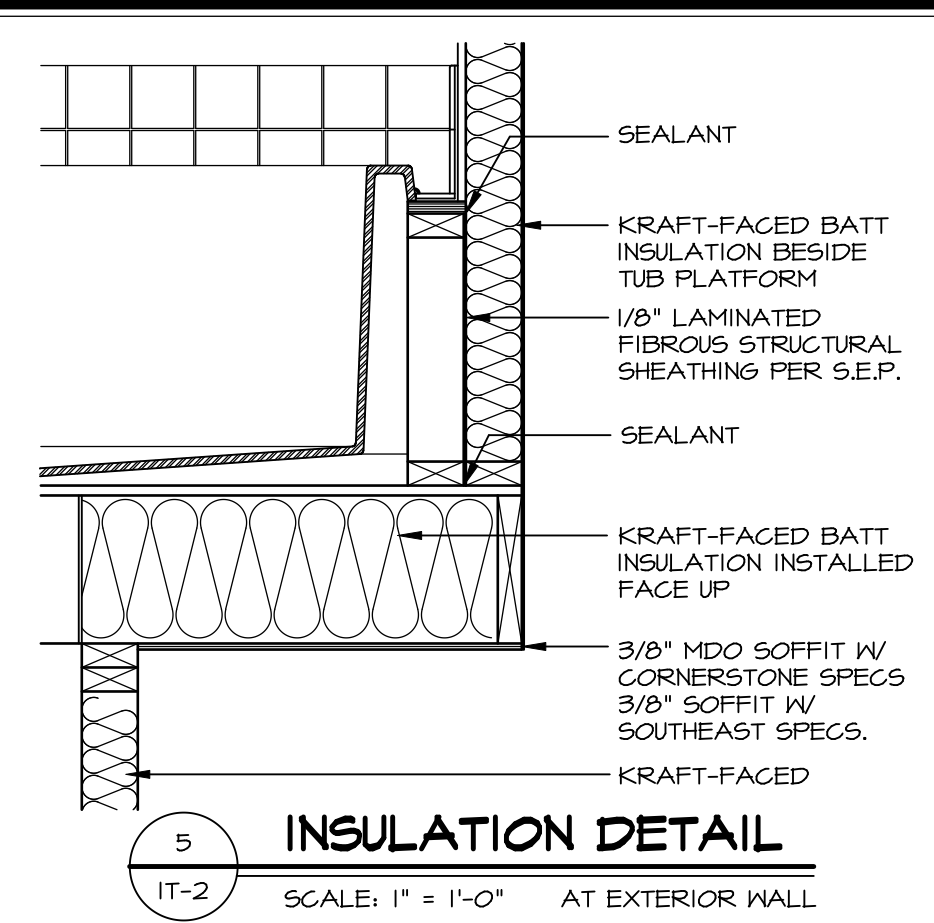
2 SECTION OF TUB ON PLATFORM CONDITION
SCALE: 1" = 1'-0"



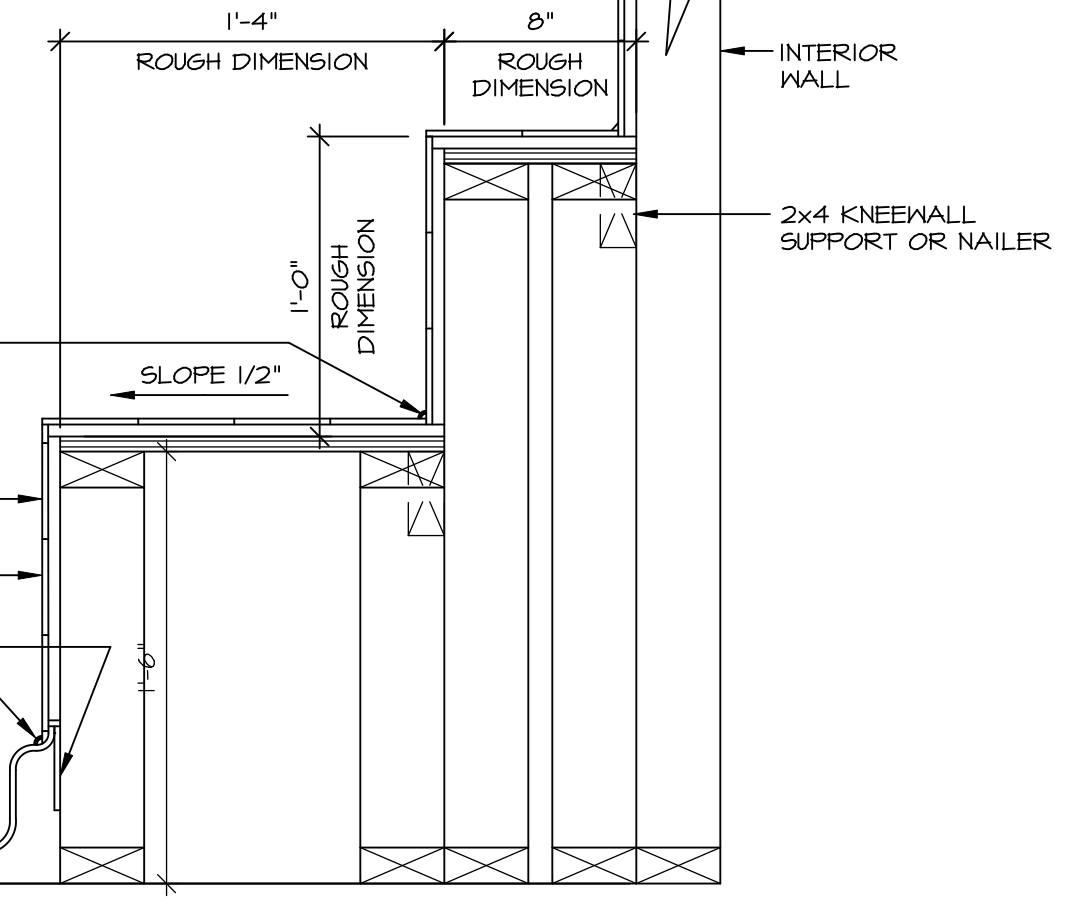
3 SECTION OF TUB TO WALL CONDITION
SCALE: 1 1/2" = 1'-0"



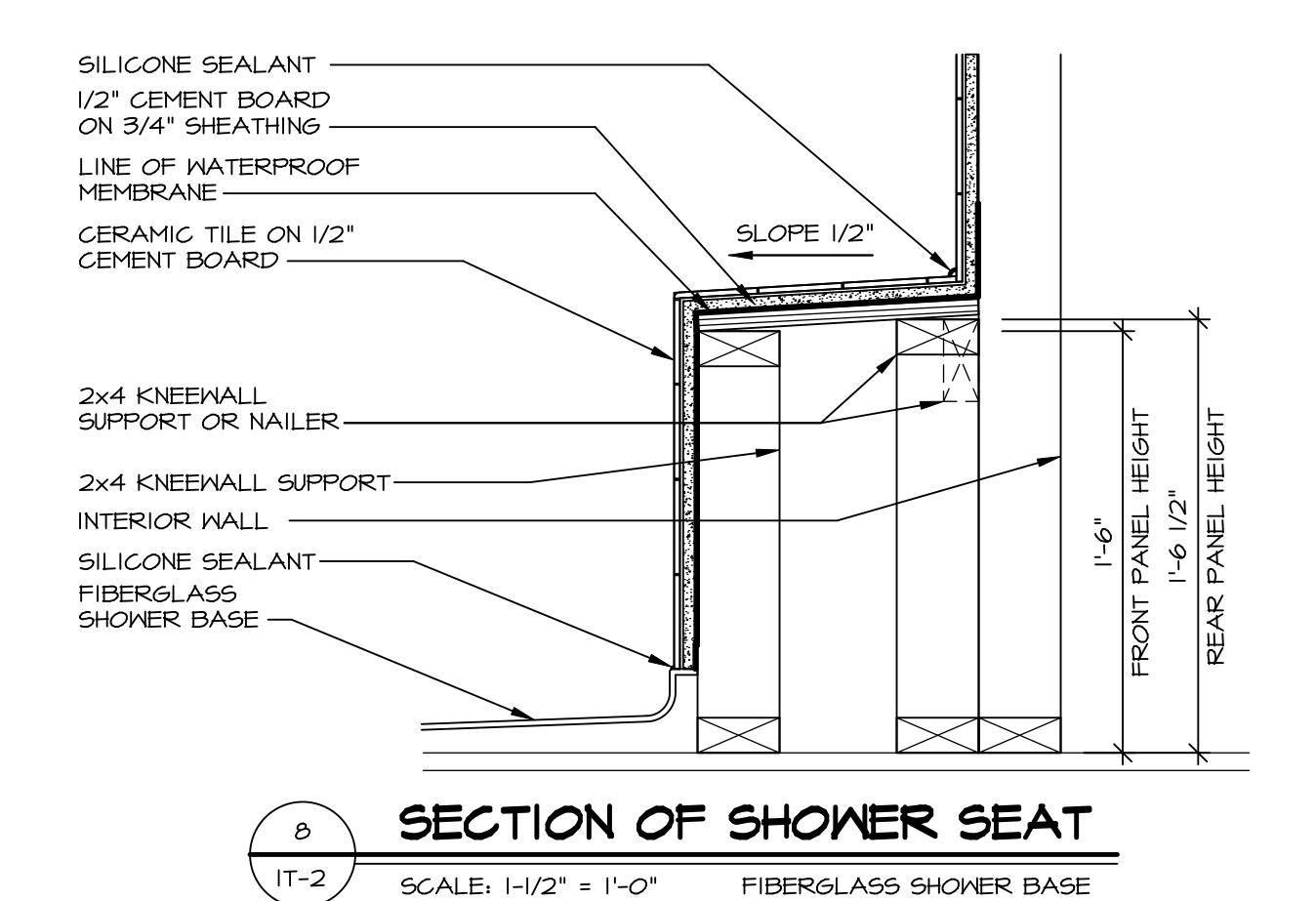
4 ELEVATION
SCALE: 1/2" = 1'-0"



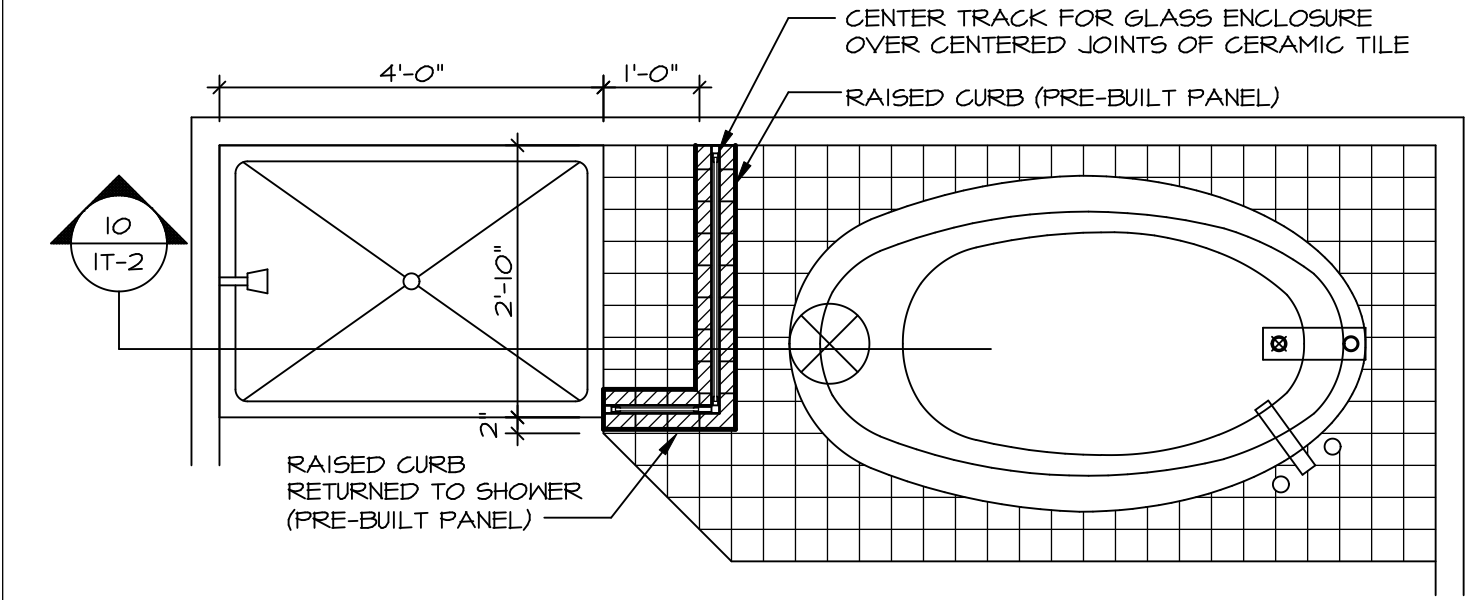
5 INSULATION DETAIL
SCALE: 1" = 1'-0" AT EXTERIOR WALL



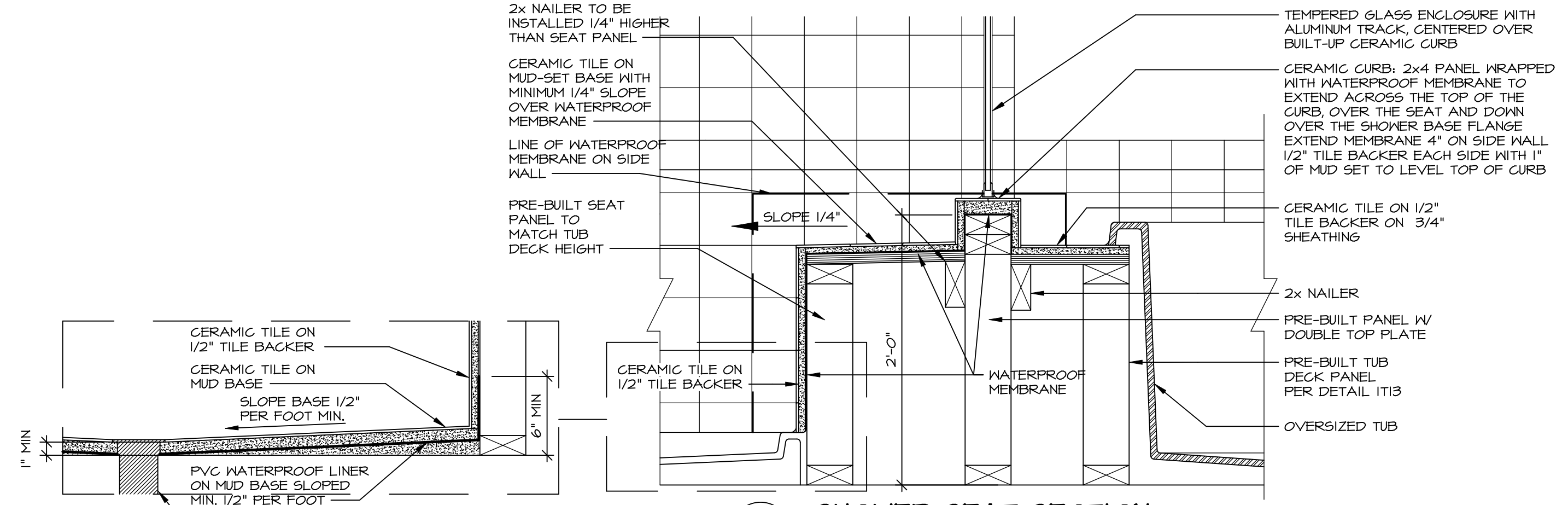
7 SECTION OF SHOWER SEAT AND SHELF
SCALE: 1 1/2" = 1'-0"



8 SECTION OF SHOWER SEAT
SCALE: 1-1/2" = 1'-0" FIBERGLASS SHOWER BASE



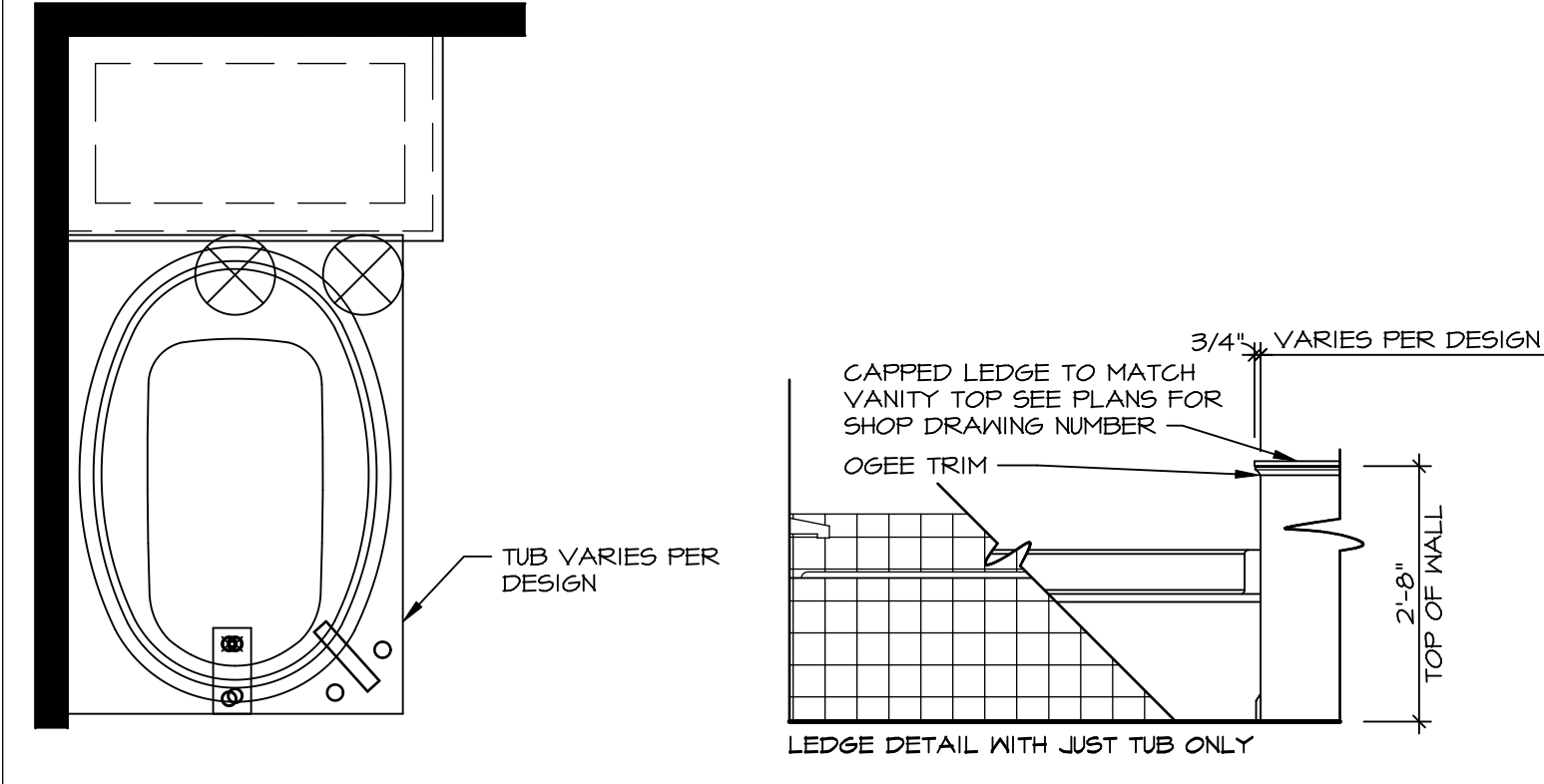
9 SHOWER SEAT PLAN / DETAIL
SCALE: 1/2" = 1'-0"



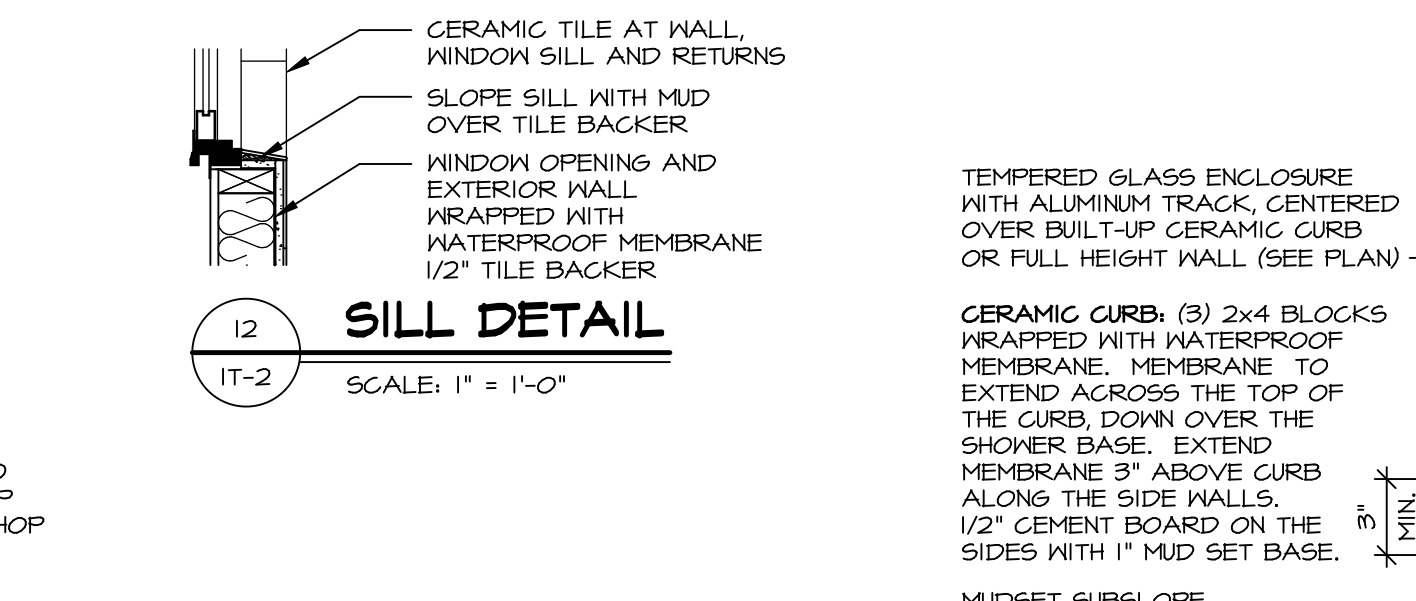
10 SHOWER SEAT SECTION
SCALE: 1-1/2" = 1'-0"



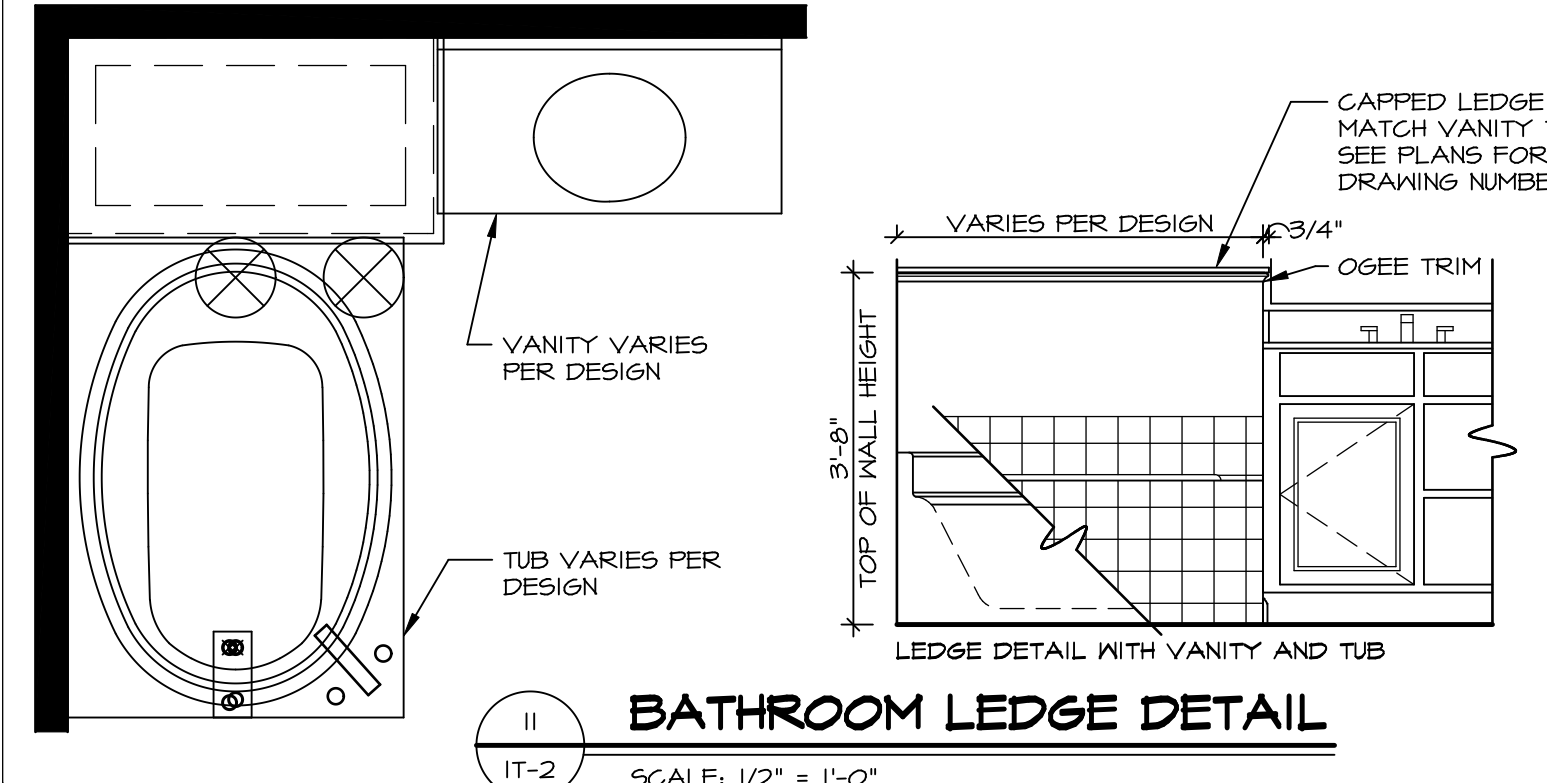
11 ALTERNATE SHOWER PAN DETAIL



12 BATHROOM LEDGE DETAIL
SCALE: 1/2" = 1'-0"



13 SHOWER SEAT SECTION
SCALE: 1 1/2" = 1'-0" MUD-SET SHOWER



14 BATHROOM LEDGE DETAIL
SCALE: 1/2" = 1'-0"

REVISIONS

REV. NO.	DATE	DESCRIPTION
1	5/11/17	EBP - REVISED DETAIL 1 AND 11 TO REMOVE TUB ACCESS PANEL REF. (095 #15 3414)
2	9/21/17	EBP - REVISED T-FLY NOTE TO CALL OUT LFS
3	9/21/17	EBP - REVISED NOTE ON DETAIL #1 - REVISED ORDER OF MATERIAL PARA#49304
4	8/28/18	EBP - DTL 8 / 19 ME REMOVED THE 2X6 BULKING AT BASE OF SHWR REQUEST #4663

NVR, Inc., owner, expressly reserves its common law copyright and other property rights in these plans. These plans are not to be reproduced, stored in a retrieval system, or transmitted in any form or by any means, electronic, mechanical, photocopying, recording, or by any information storage and retrieval system, without first obtaining the expressed written consent of NVR, Inc.

NVR
NVR, Inc.
Architectural Services
Architects & Interiors
5285 Westpark Drive, Suite 100
Frederick, MD 21703

SET NO. NVR
VERSION
DRAWN BY
DATE:
OPTION

STANDARD DETAILS
DRAWING TITLE
INTERIOR TRIM DETAILS
BATH DETAILS
OPTION DESCRIPTION

SHEET NO. **IT-2**