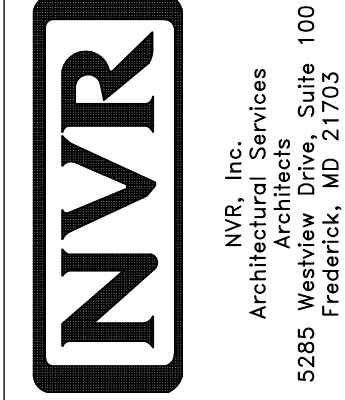


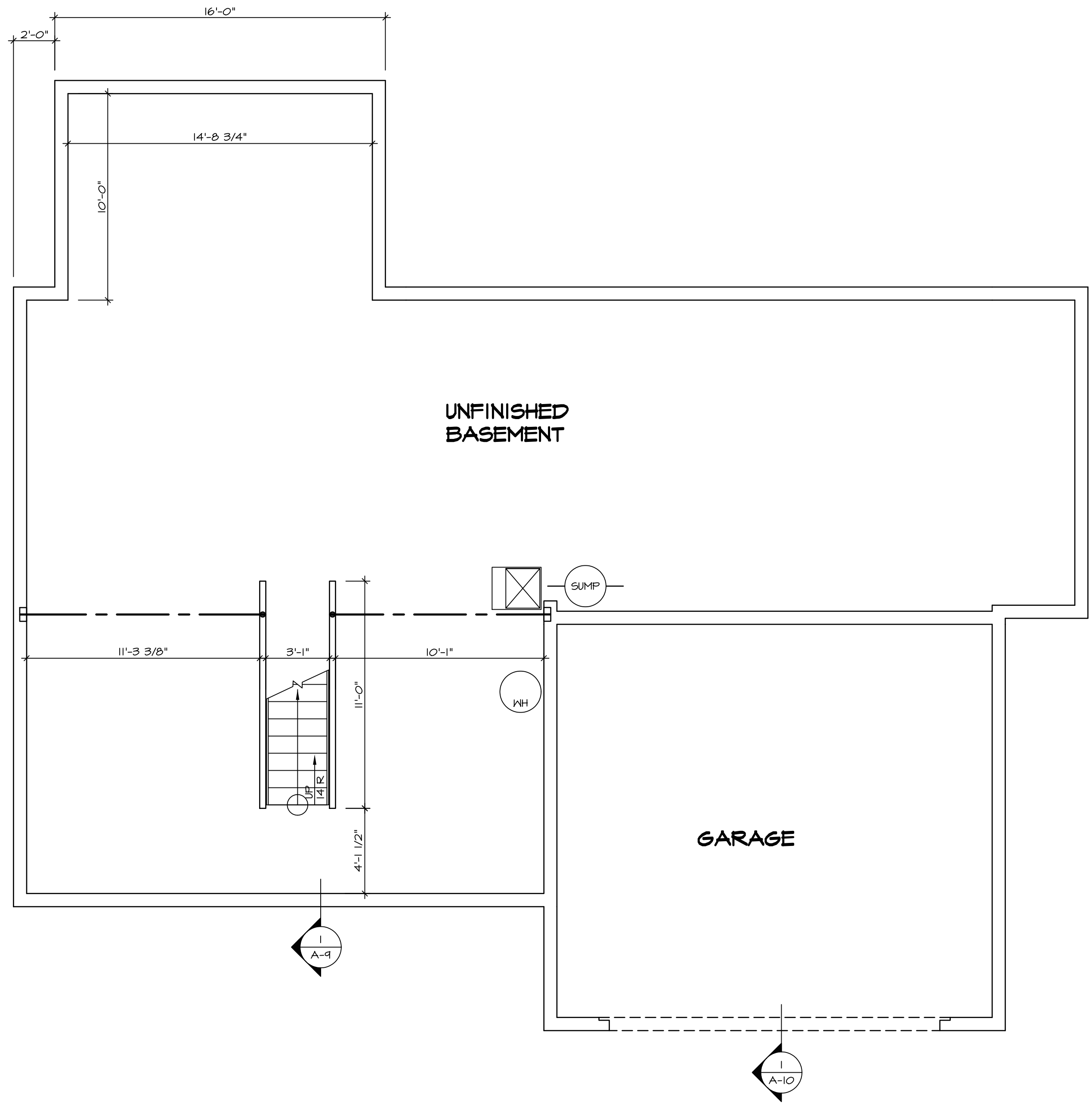
1 PLUMBING PLAN
A-5 SCALE: 1/4" = 1'-0"

| | | |
|---------------------------------|---------------------------------------|-------------------------|
| SHEET NO. A-5 | MODEL PALERMO | SET NO. PALOO |
| OPTION DESCRIPTION 48 | DRAWING TITLE PLUMBING PLAN | VERSION 03 |
| | DATE: | DRAWN BY: |
| | OPTION | |



NVR, Inc., owner, expressly reserves its copyright in these plans. These plans are not to be reproduced, changed, copied in whole or in part, or otherwise used without the written consent of NVR, Inc.

| REV. NO. | DATE | REMARKS |
|----------|------|---------|
| | | |
| | | |
| | | |
| | | |
| | | |
| | | |
| | | |
| | | |
| | | |
| | | |



LEGEND

| | |
|--|---|
| | BEARING WALL |
| | NON BEARING WALL |
| | INDICATES BEARING FROM POINT-LOAD ABOVE |
| | JACKS |
| | BEAM/HEADER |
| | PAD FOOTING |
| | STEEL COLUMN |
| | PORTAL FRAME |
| | JOIST/TRUSS |
| | LVL |
| | ENGINEERING PAGE NUMBER |

SEE FC DETAILS FOR FRAMING CONNECTORS

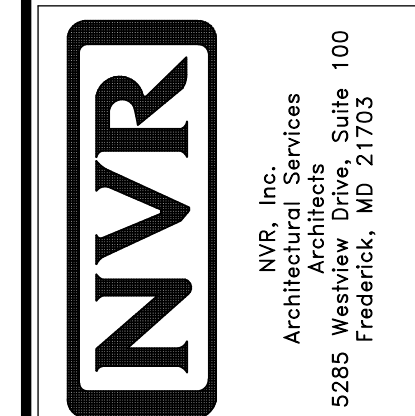
- FLOOR PLAN NOTES**
- ALL HEADERS ARE (2) 2x6 w/ 2x4 WALLS OR (3) 2x6 w/ 2x6 WALLS, UNLESS OTHERWISE NOTED.
 - ALL HEADERS TO HAVE (1) 2x4 OR 2x6 JACK EACH END, UNLESS OTHERWISE NOTED.
 - ALL EXTERIOR WALLS TO BE 4" AND ALL INTERIOR WALLS TO BE 3 1/2", UNLESS OTHERWISE NOTED.
 - HATCHED AREAS INDICATE DROPPED CEILINGS. ALL DROPPED CEILINGS ARE 12" UNLESS OTHERWISE NOTED.
 - SEE "BRACED WALL PANEL DETAIL SHEET" FOR SPECIAL WALL FRAMING LOCATIONS AND HEADER SIZES, IF APPLICABLE.
 - SEE STANDARD DETAIL CATEGORY "IT" SHEET(S) FOR INTERIOR TRIM DETAILS.
 - SEE ARCHITECTURAL DETAIL SHEET "AD" FOR HOUSE SPECIFIC INTERIOR TRIM OPTION TABLE.
 - ALL WINDOWS HAVE 7'-0" 1/2" HEADER HEIGHT UNLESS OTHERWISE NOTED.
 - ALL CASED OPENINGS AT T-11", UNLESS OTHERWISE NOTED.

- GYPSUM NOTES**
- AT GARAGE:
GYPSUM BOARD AT COMMON WALLS, CEILINGS, BEAM WRAPS AND SUPPORTS PER STANDARD DETAIL FA-1(b) FIRE ASSEMBLIES OR AS REQUIRED BY LOCAL CODE.
- AT STAIRS:
1/2" GYPSUM BOARD AT UNDERSIDE OF STAIRS AND WALLS IN CLOSET

BASEMENT FLOOR PLAN
SCALE: 1/4" = 1'-0"

| | | | | | | | |
|-------------------------|---|----------------------|-----------|----------|----------|------------------------|---------|
| SHEET NO. A-6 | MODEL PALERMO | SET NO. PALOO | REVISIONS | REV. NO. | DATE | DESCRIPTION | REMARKS |
| | DRAWING TITLE BASEMENT FLOOR PLAN | VERSION 03 | DRAWN BY | 1 | 09/05/16 | TH - DRAWING ALIGNMENT | |
| OPTION DESCRIPTION | | | | | | | |
| OPTION | | | | | | | |
| 51 | | | | | | | |

NVR, Inc., owner, expressly reserves its common law copyright in these plans. These plans are not to be reproduced, changed, adapted, or otherwise used in any way without the prior written consent of NVR, Inc.



| FIRST FLOOR JACK SCHEDULE | | | | |
|---------------------------|-------------------------------|---------|------------|-----------------|
| IDENTIFIER | DESCRIPTION | OPTIONS | ENG. NUM. | REMARKS |
| J106 | JACK - (2) 2X4 SPF STUD GRADE | | 1012 | |
| J107 | JACK - (2) 2X4 SPF STUD GRADE | | 1012 | |
| J108 | JACK - (2) 2X4 SPF STUD GRADE | | 1012 | |
| J109 | JACK - (3) 2X4 SPF STUD GRADE | GCB | 1046 | |
| J110 | JACK - (3) 2X4 SPF STUD GRADE | GCB | 1046 | |
| J114 | JACK - (2) 2X4 SPF STUD GRADE | EDOMAP | 1075, 1078 | |
| J120 | JACK - (4) 2X6 SPF STUD GRADE | MAA | 1014 | |
| J121 | JACK - (3) 2X6 SPF STUD GRADE | MAA | 1014 | FIELD INSTALLED |
| J122 | JACK - (3) 2X4 SPF STUD GRADE | SRN | 1040 | |
| J123 | JACK - (3) 2X4 SPF STUD GRADE | SRN | 1044 | |
| J133 | JACK - (2) 2X4 SPF STUD GRADE | GCBMAV | 1044, 1131 | CRIPPLES |
| J134 | JACK - (2) 2X4 SPF STUD GRADE | GCBMAV | 1044, 1131 | CRIPPLES |
| J151 | JACK - (2) 2X4 SP# | ELE | 1021 | |
| J170 | JACK - (2) 2X4 SP# | ELE | | |

LVL PLY TO PLY FASTENING SCHEDULE:

1A - (2) FLY UP TO AND INCLUDING 1 7/8" TALL; FASTEN FLIES W/ (2) ROWS 16D NAILS AT 12" O.C.
 2A - (2) FLY 14" TO AND INCLUDING 18" TALL (INCLUSIVE); FASTEN FLIES W/ (3) ROWS 16D NAILS AT 12" O.C.
 3A - (2) FLY 20" TALL AND OVER; FASTEN FLIES W/ (4) ROWS 16D NAILS AT 12" O.C.
 4A - (3) FLY UP TO AND INCLUDING 11 7/8" TALL; FASTEN FLIES W/ (2) ROWS 16D NAILS AT 12" O.C. FROM EACH SIDE
 5A - (3) FLY 14" TO AND INCLUDING 18" TALL (INCLUSIVE); FASTEN FLIES W/ (3) ROWS 16D NAILS AT 12" O.C. FROM EACH SIDE
 6A - (3) FLY 20" TALL AND OVER; FASTEN FLIES W/ (4) ROWS 16D NAILS AT 12" O.C. FROM EACH SIDE

| FIRST FLOOR BEAM/HEADER SCHEDULE | | | | | |
|----------------------------------|---------------------|------------|----------|------------|-------------------|
| IDENTIFIER | DESCRIPTION | LENGTH | OPTIONS | ENG. NUM. | REMARKS |
| B101-3 | LVL - 16 | 14'-4 1/2" | MAA | 1014 | 5A, FIELD INSTALL |
| B105 | BEAM STEEL - W12X40 | 22'-3 1/2" | ELE, MAV | 1051, 1133 | |
| B107-2 | LVL - 14 | 17'-4" | MAV | 1050, 1051 | 2A, FIELD INSTALL |

| LEGEND | |
|--------|---|
| | BEARING WALL |
| | NON BEARING WALL |
| | INDICATES BEARING FROM POINT-LOAD ABOVE |
| | JACKS |
| | BEAM/HEADER |
| | PAD FOOTING |
| | STEEL COLUMN |
| | PORTAL FRAME |
| | JOIST/TRUSS |
| | LVL |
| | ENGINEERING PAGE NUMBER |

SEE FC DETAILS FOR FRAMING CONNECTORS

| STEEL COLUMN SCHEDULE | | | | | |
|-----------------------|---------------------------|-------------|---------|------------------|---------|
| IDENTIFIER | STYLE | HEIGHT | OPTIONS | ENG. NUM. | REMARKS |
| C101 | STANCHION - 3 IN SCHED 40 | 9'-0 11/16" | FBA | 1051, 1133, 1128 | |
| C102 | STANCHION - 3 IN SCHED 40 | 9'-0 11/16" | FBA | 1051, 1133, 1128 | |

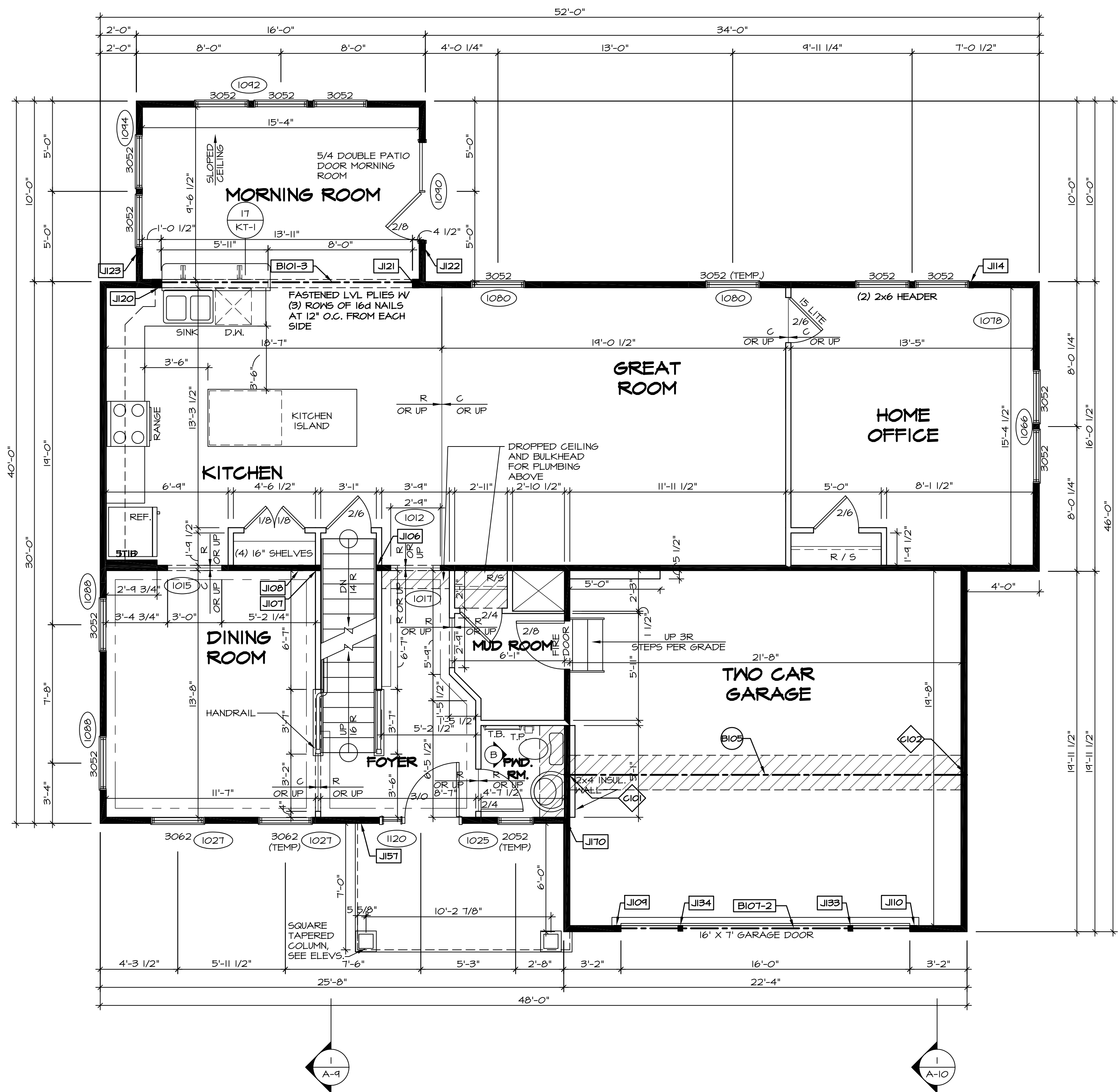
FLOOR PLAN NOTES

- ALL HEADERS ARE (2) 2x6 W/ 2x4 WALLS OR (3) 2x6 W/ 2x6 WALLS, UNLESS OTHERWISE NOTED.
- ALL HEADERS TO HAVE (1) 2x4 OR 2x6 JACK AND KING STUD EACH END, UNLESS OTHERWISE NOTED.
- ALL EXTERIOR WALLS TO BE 4" W/ OSB OR 3 1/2" W/ T-PLY, ALL INTERIOR WALLS TO BE 3 1/2", UNLESS OTHERWISE NOTED.
- HATCHED AREAS INDICATE DROPPED CEILINGS. ALL DROPPED CEILINGS ARE 12" UNLESS OTHERWISE NOTED.
- SEE "BRACED WALL PANEL DETAIL SHEET" FOR SPECIAL WALL FRAMING LOCATIONS AND HEADER SIZES, IF APPLICABLE.
- SEE STANDARD DETAIL CATEGORY "I1" SHEET(S) FOR INTERIOR TRIM DETAILS.
- SEE ARCHITECTURAL DETAIL SHEET "AD" FOR HOUSE SPECIFIC INTERIOR TRIM OPTION TABLE.
- ALL WINDOWS HAVE 7'-0 1/2" HEADER HEIGHT UNLESS OTHERWISE NOTED.
- ALL HEADERS IN NON-BEARING WALLS SHALL BE A SINGLE FLAT 2X4 OR 2X6 ATTACHED TO CRIPPLES ABOVE, UNLESS OTHERWISE NOTED.

GYPSUM NOTES

AT GARAGE:
 GYPSUM BOARD AT COMMON WALLS, CEILING, BEAM WRAPS AND SUPPORTS PER STANDARD DETAIL FA-1(b) FIRE ASSEMBLIES OR AS REQUIRED BY LOCAL CODE.

AT STAIRS:
 1/2" GYPSUM BOARD AT UNDERSIDE OF STAIRS AND WALLS IN CLOSET



FIRST FLOOR PLAN
 SCALE: 1/4" = 1'-0"

| REV. NO. | DATE | DESCRIPTION | REMARKS |
|----------|----------|--------------------------------|---------|
| 1 | 09/04/16 | TH - DRAWING ALIGNMENT | |
| 2 | 07/12/17 | SLS - T-PLY CONVERSION PROJECT | |

SET NO. PALOO
 VERSION 03
 DRAWN BY
 DATE:
 OPTION

PALERMO
 DRAWING TITLE
 FIRST FLOOR PLAN
 OPTION DESCRIPTION

NVR
 NVR, Inc.
 Architectural Services
 5285 Washington Blvd
 Frederick, MD 21703

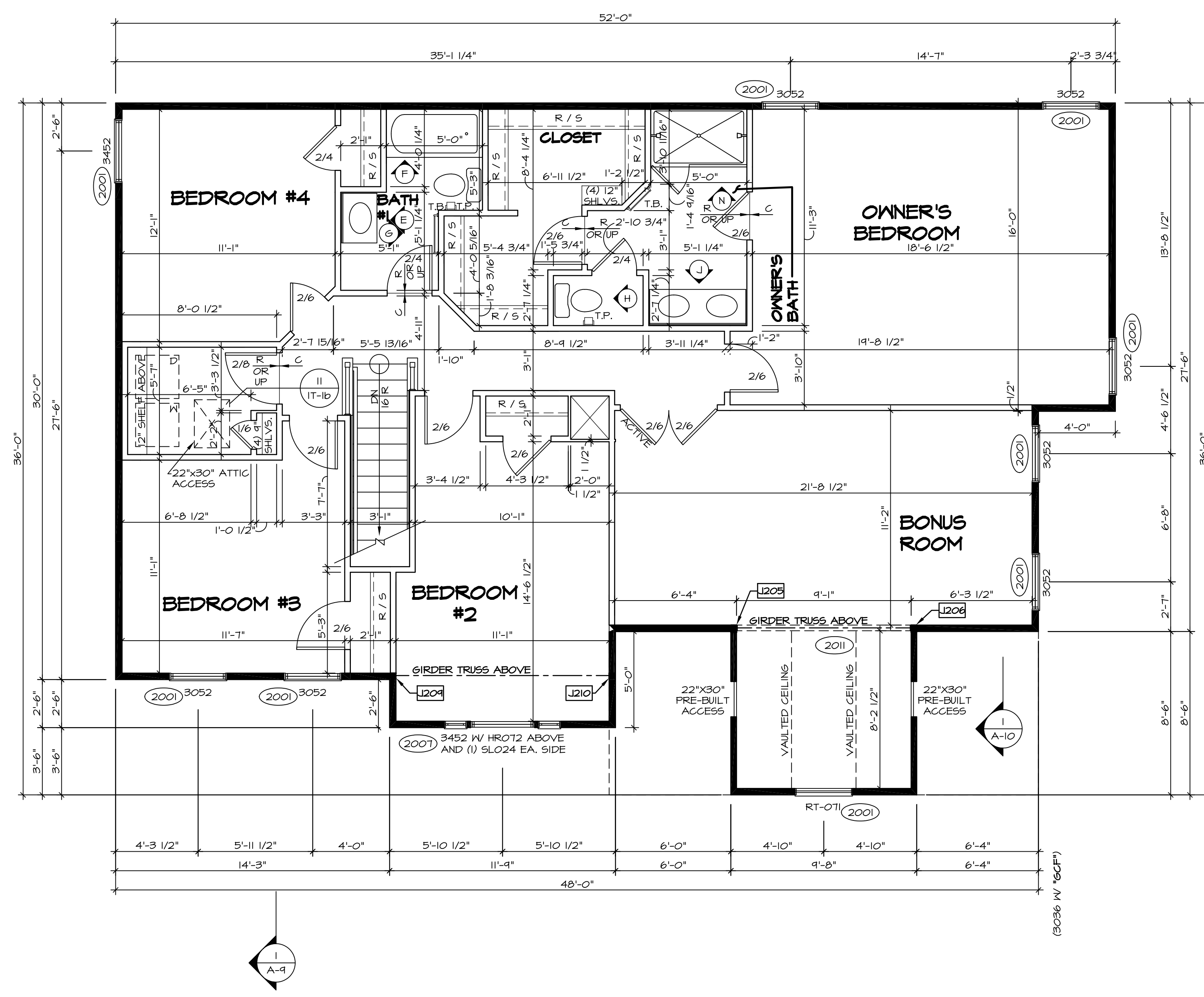
SHEET NO. **A-7**
 53

C:\NVR\Solves\PALERMO_PALOO_03\DCI-BI-002A\538027\Sheets\Lot_Spec\16.53 A-7 PLAN_L5.dwg 09/13/17 - 5:08 am

| SECOND FLOOR JACK SCHEDULE | | | | |
|----------------------------|-------------------------------|---------|-----------|---------|
| IDENTIFIER | DESCRIPTION | OPTIONS | ENG. NUM. | REMARKS |
| J205 | JACK - (3) 2X4 SFF STUD GRADE | MAV | 2011 | |
| J206 | JACK - (3) 2X4 SFF STUD GRADE | MAV | 2011 | |
| J204 | JACK - (2) 2X4 SFF#1 | ELE | 2011 | |
| J210 | JACK - (2) 2X4 SFF#1 | ELE | 2011 | |

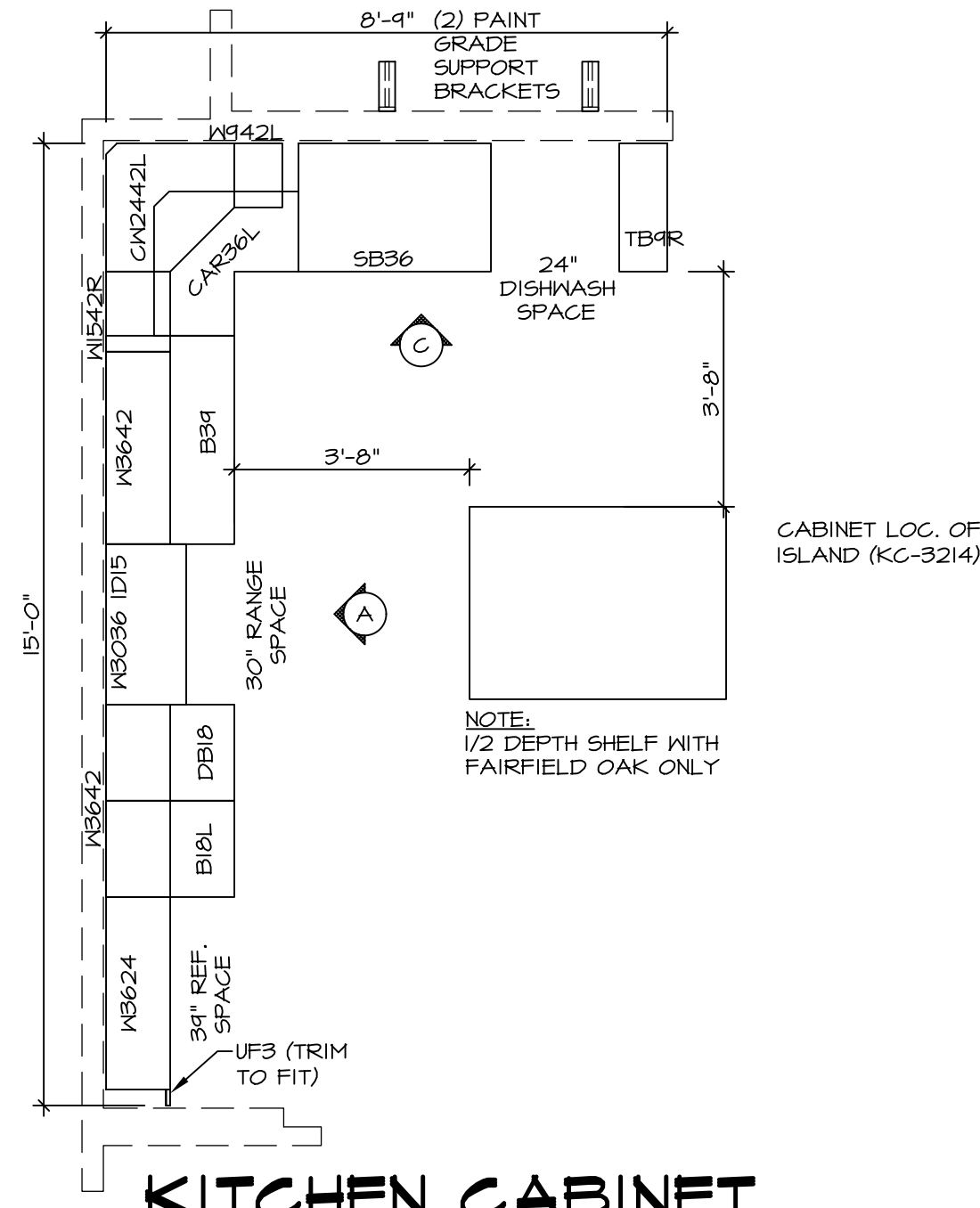
| LEGEND | |
|--------|---|
| | BEARING WALL |
| | NON BEARING WALL |
| | INDICATES BEARING FROM POINT-LOAD ABOVE |
| | JACKS |
| | BEAM/HEADER |
| | PAD FOOTING |
| | STEEL COLUMN |
| | PORTAL FRAME |
| | JOIST/TRUSS |
| | LVL |
| | ENGINEERING PAGE NUMBER |

- FLOOR PLAN NOTES**
- ALL HEADERS ARE (2) 2x6 w/ 2x4 WALLS OR (3) 2x6 w/ 2x6 WALLS, UNLESS OTHERWISE NOTED.
 - ALL HEADERS TO HAVE (1) 2x4 OR 2x6 JACK AND KING STUD EACH END, UNLESS OTHERWISE NOTED.
 - ALL EXTERIOR WALLS TO BE 4" w/ OSB OR 3 1/2" w/ T-PLY, ALL INTERIOR WALLS TO BE 3 1/2", UNLESS OTHERWISE NOTED.
 - HATCHED AREAS INDICATE DROPPED CEILINGS. ALL DROPPED CEILINGS ARE 12" UNLESS OTHERWISE NOTED.
 - SEE "BRACED WALL PANEL DETAIL SHEET" FOR SPECIAL WALL FRAMING LOCATIONS AND HEADER SIZES, IF APPLICABLE.
 - SEE STANDARD DETAIL CATEGORY "IT" SHEET(S) FOR INTERIOR TRIM DETAILS.
 - SEE ARCHITECTURAL DETAIL SHEET "AD" FOR HOUSE SPECIFIC INTERIOR TRIM OPTION TABLE.
 - ALL WINDOWS HAVE 7'-0 1/2" HEADER HEIGHT UNLESS OTHERWISE NOTED.
 - ALL HEADERS IN NON-BEARING WALLS SHALL BE A SINGLE FLAT 2x4 OR 2x6 ATTACHED TO CRIPPLES ABOVE, UNLESS OTHERWISE NOTED.



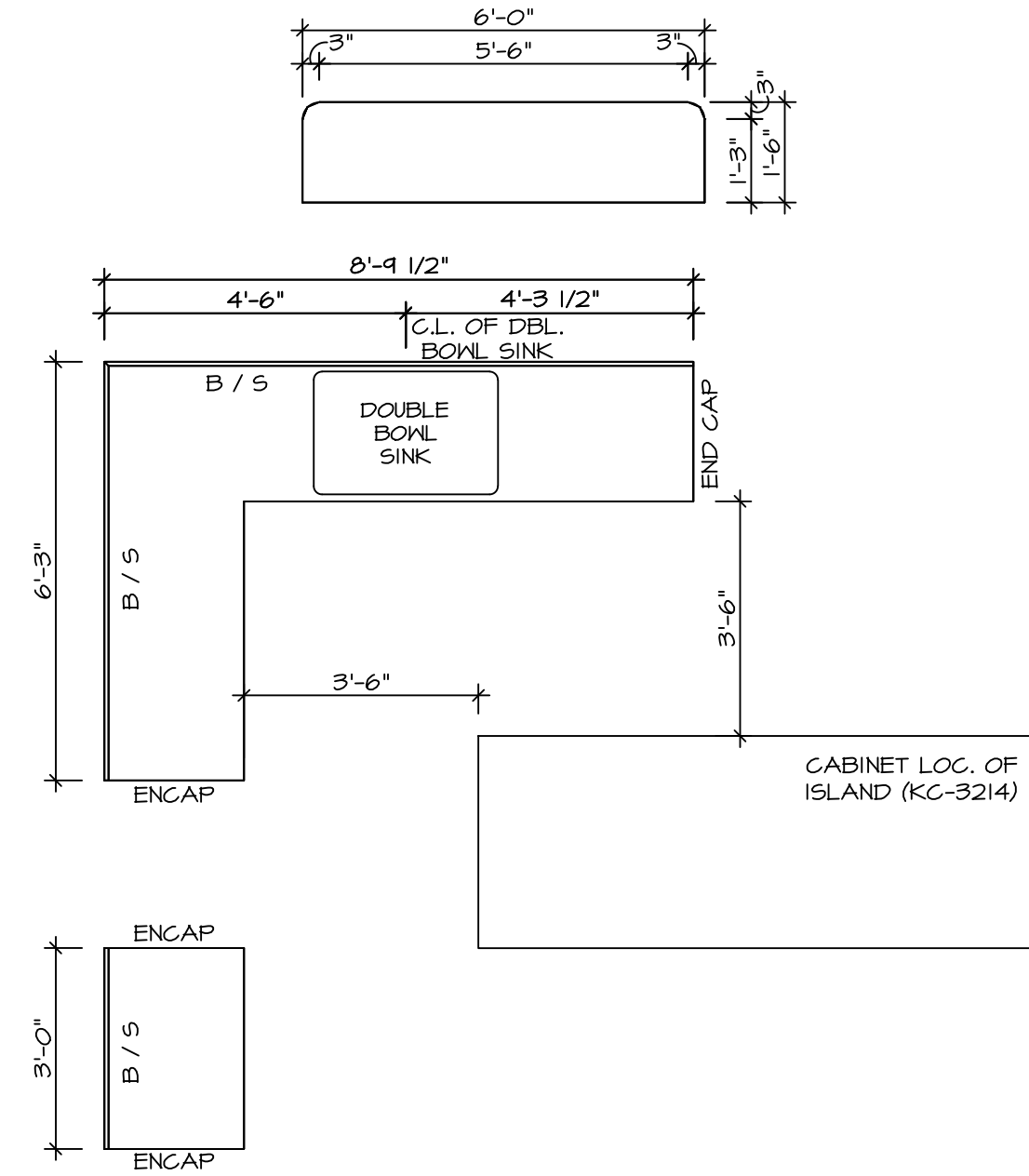
SECOND FLOOR PLAN
SCALE: 1/4" = 1'-0"

| | | | |
|---------------------------------|---|----------------------|---|
| SHEET NO. A-8 | MODEL PALERMO | SET NO. PALOO | REMARKS |
| | DRAWING TITLE SECOND FLOOR PLAN | VERSION 03 | |
| OPTION DESCRIPTION 60 | OPTION | DATE: | <p>NVR, Inc., owner, expressly reserves its copyright in these plans. These plans are not to be reproduced, changed, adapted in any way, or otherwise used without the written consent of NVR, Inc.</p> <p>NVR NVR, Inc. Architectural Services 100 5285 Washington Blvd Frederick, MD 21703</p> |
| | OPTION | DATE: | |



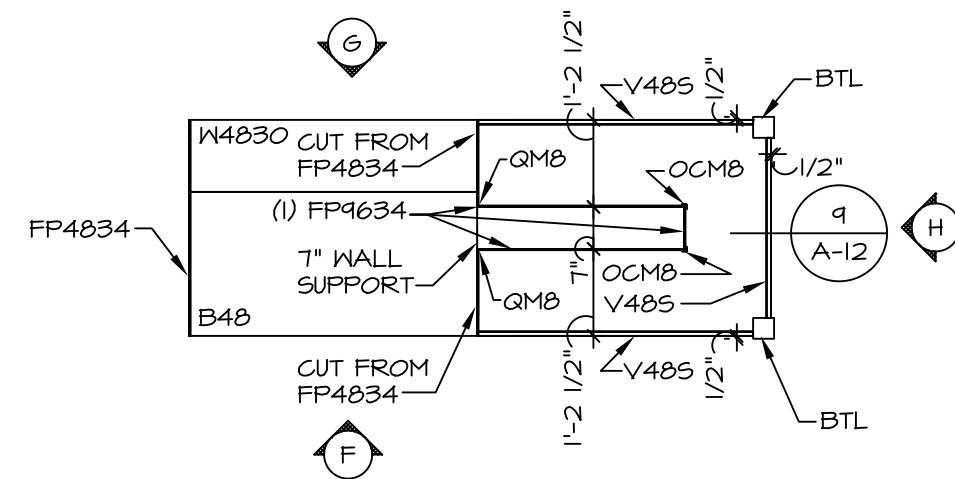
**KITCHEN CABINET
PLAN-KC-2862**

3 A-12 SCALE: 3/8" = 1'-0" STANDARD KITCHEN MORNING ROOM



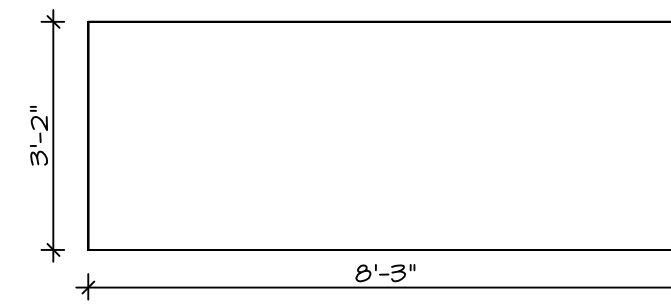
**KITCHEN COUNTERTOP
PLAN-KT-2862**

4 A-12 SCALE: 3/8" = 1'-0" STANDARD KITCHEN MORNING ROOM



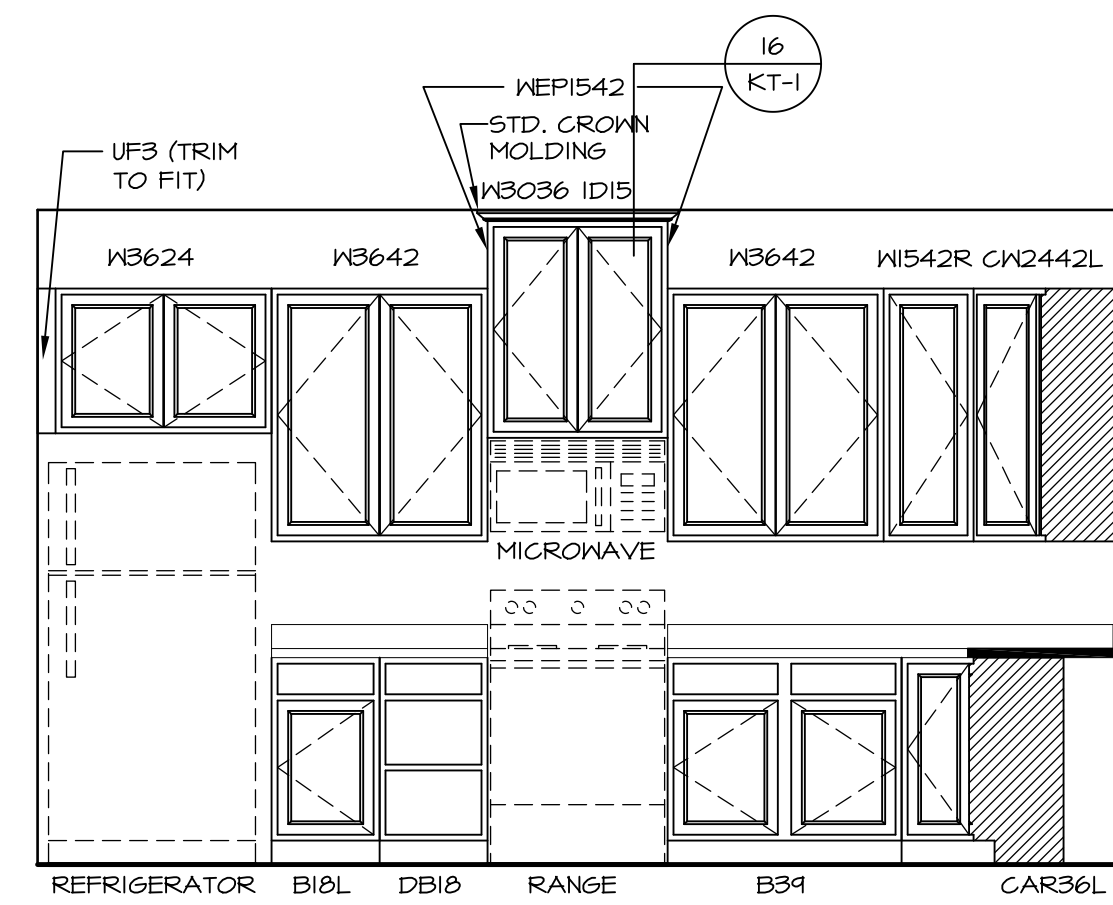
**KITCHEN CABINET
PLAN-KC-3214**

7 A-12 SCALE: 3/8" = 1'-0" GOURMET ISLAND

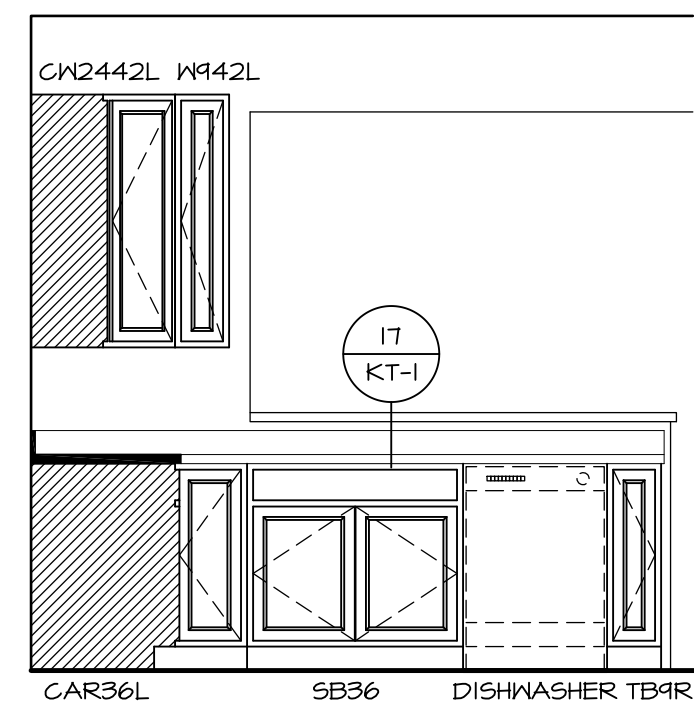


**KITCHEN COUNTERTOP
PLAN-KT-3214**

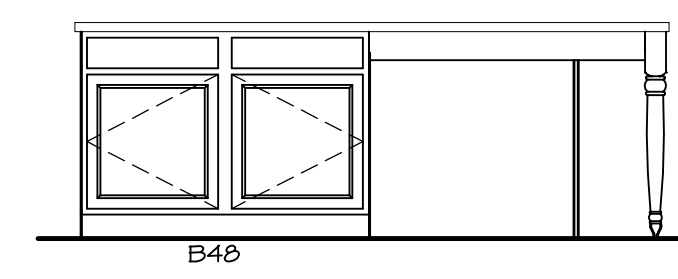
8 A-12 SCALE: 3/8" = 1'-0" GOURMET ISLAND



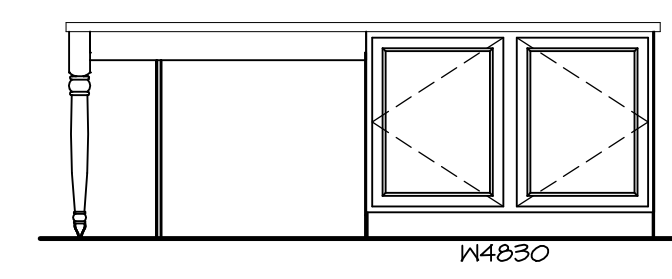
A KITCHEN ELEVATION
SCALE: 3/8" = 1'-0"



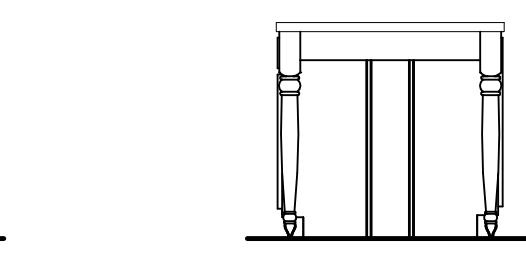
C KITCHEN ELEVATION
SCALE: 3/8" = 1'-0"



F KITCHEN ELEVATION
SCALE: 3/8" = 1'-0"



G KITCHEN ELEVATION
SCALE: 3/8" = 1'-0"



H KITCHEN ELEVATION
SCALE: 3/8" = 1'-0"

| | |
|----------|-------|
| SET NO. | PALOO |
| VERSION | 03 |
| DRAWN BY | |
| DATE: | |
| OPTION | |

MODEL
PALERMO
DRAWING TITLE

SHEET NO.
A-12

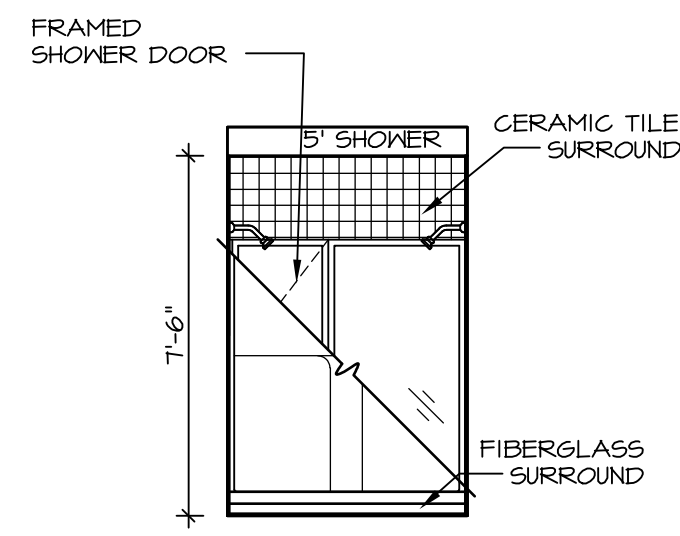
OPTION DESCRIPTION
70

REV. NO. DATE

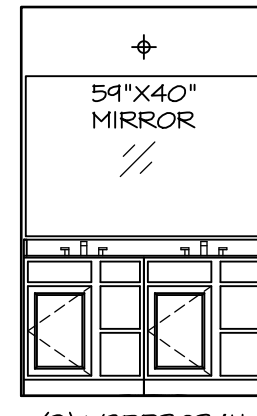
REMARKS

NVR, Inc., owner, expressly reserves its copyright in these plans. These plans are not to be reproduced, changed, copied, or otherwise used without the written consent of NVR, Inc.

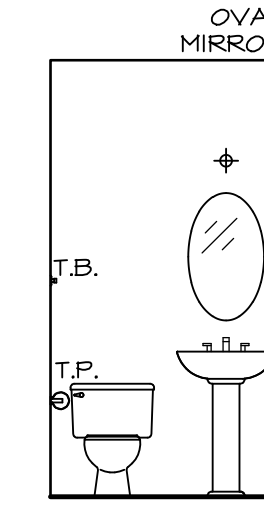
NVR
NVR, Inc.
Architectural Services
5285 Westover Lane, Suite 100
Frederick, MD 21703



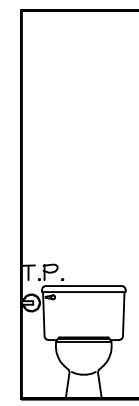
N OWNER'S BATH
SCALE: 1/4" = 1'-0"



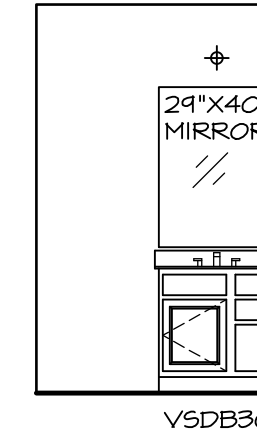
J OWNER'S BATH
SCALE: 1/4" = 1'-0"



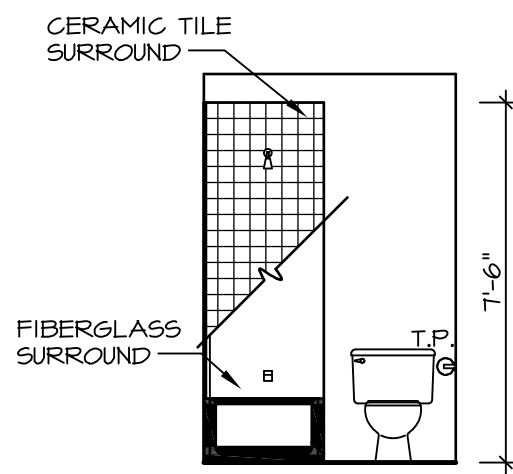
B POWDER ROOM
SCALE: 1/4" = 1'-0"



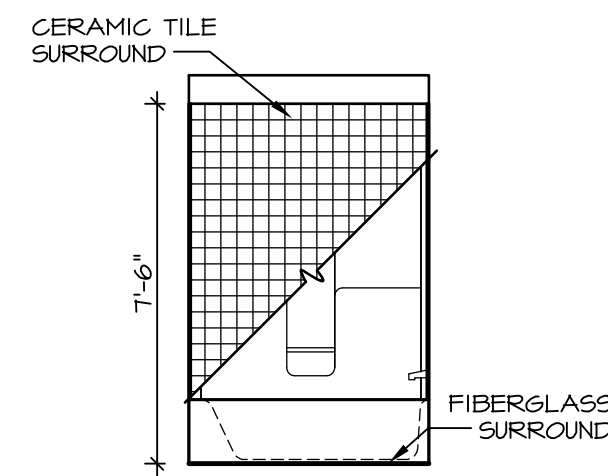
H OWNER'S BATH
SCALE: 1/4" = 1'-0"



E BATH #1
SCALE: 1/4" = 1'-0"



G BATH #1
SCALE: 1/4" = 1'-0"



F BATH #1
SCALE: 1/4" = 1'-0"

NOTES:

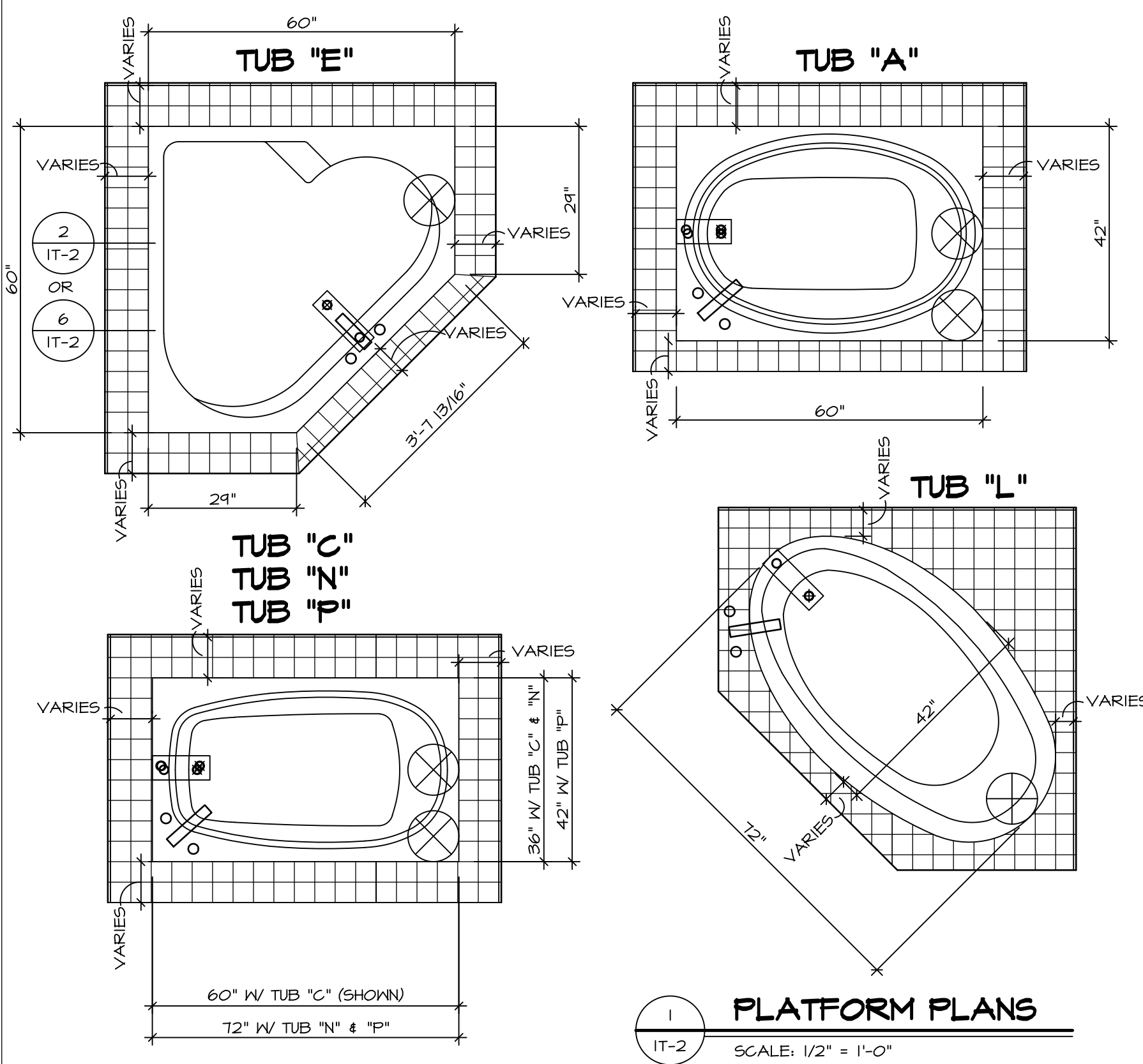
1. TEMPERED GLASS SHOWER ENCLOSURE WITH SWING DOOR OR OPTIONAL SLIDING DOOR BY DIVISION
2. TUB ACCESS PANELS PROVIDED AS NEEDED, ALL MATERIALS BY DIVISION
3. REFER TO SHEET IT-2 FOR TUB AND SHOWER DETAILS.
4. ALL V5DB24-42 DRAWERS TO BE SET ON RIGHT HAND.
5. BATH ELEVATIONS ARE SHOWN PER PLAN.

| REV. NO. | DATE | REMARKS |
|----------|----------|------------------------|
| 1 | 08/04/16 | TM - DRAWING ALIGNMENT |

NVR, Inc., owner, expressly reserves its copyright in these plans. These plans are not to be reproduced, changed, copied in any way, or any part thereof, without the written consent of NVR, Inc.

NVR
Architectural Services
Architects
5285 Westpark Drive, Suite 100
Frederick, MD 21703

| | | | |
|----------------------------------|-------------------------|------------------|---------------|
| SHEET NO. A-13 | MODEL PALERMO | SET NO. PALOO | VERSION 03 |
| DRAWING TITLE BATH ELEVATIONS | DRAWN BY | DATE: | OPTION |
| OPTION DESCRIPTION | | | |
| 72 | | | |

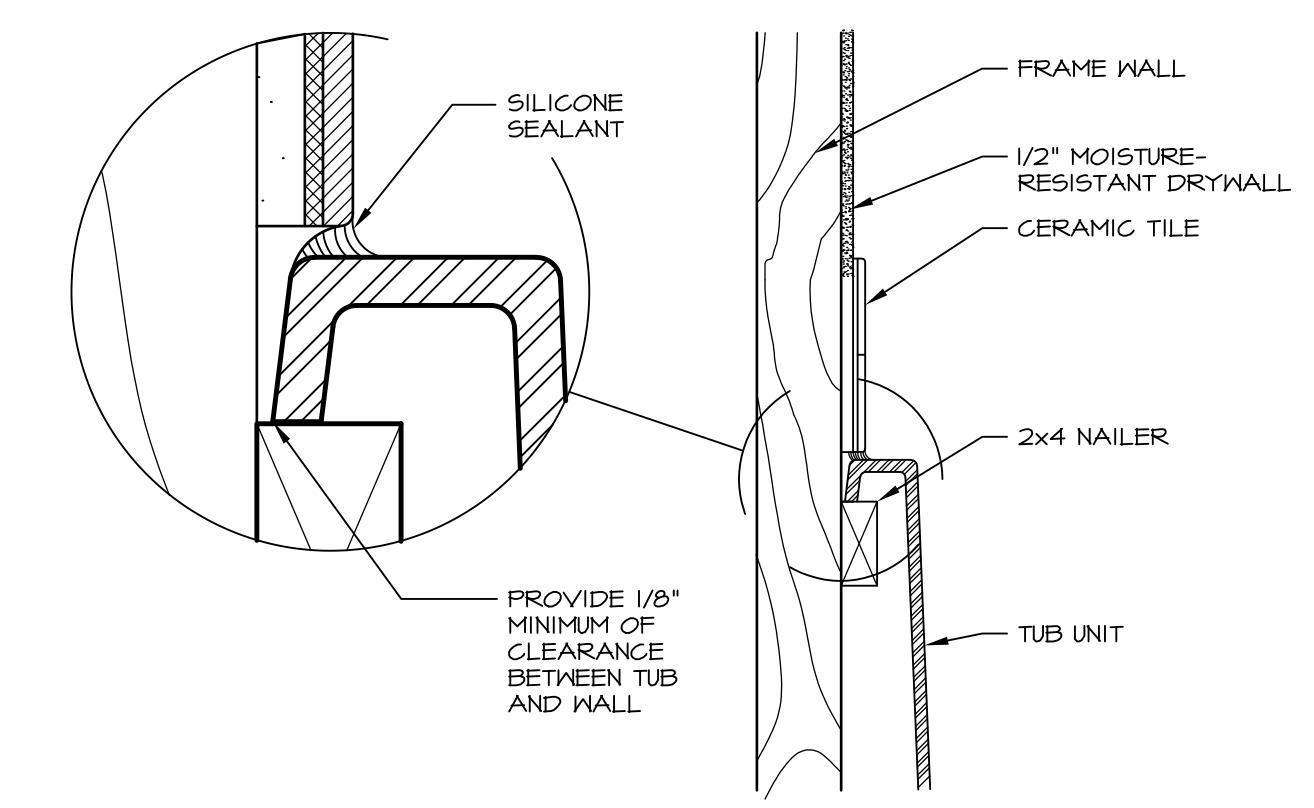


1 PLATFORM PLANS
SCALE: 1/2" = 1'-0"

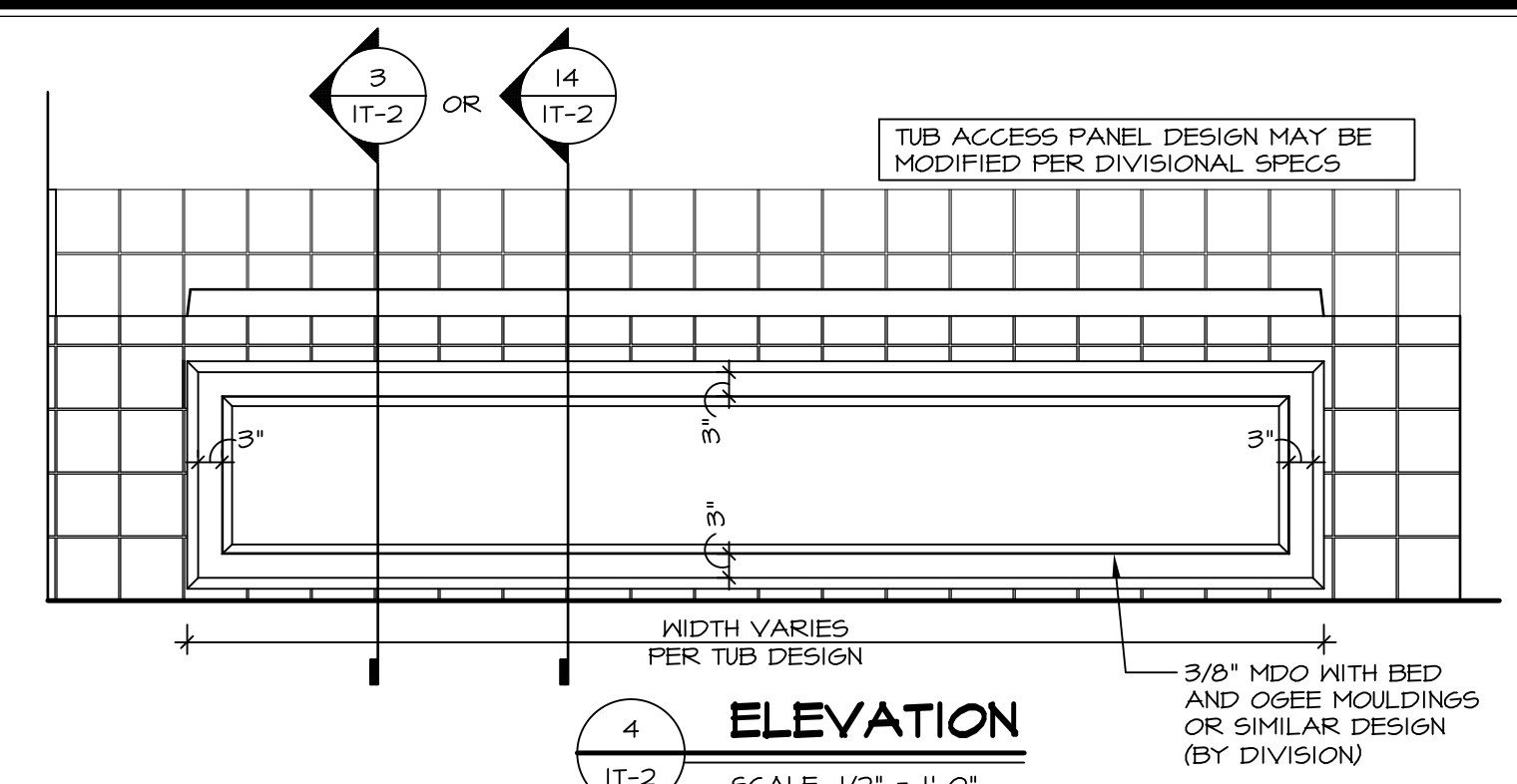
| TUB | MANUF. | HEIGHT | WIDTH | LENGTH | TUB DECK PANEL HEIGHT |
|-----|------------------|---------|-------|--------|-----------------------|
| "A" | KOHLER/ STERLING | 18 3/4" | 42" | 60" | 17 1/8" |
| "C" | KOHLER/ STERLING | 18 3/4" | 36" | 60" | 17 1/8" |
| "E" | KOHLER/ STERLING | 19 1/2" | 60" | 60" | 17 7/8" |
| "L" | KOHLER/ STERLING | 18 1/2" | 42" | 72" | 16 7/8" |
| "N" | KOHLER/ STERLING | 18 3/4" | 36" | 72" | 17 1/8" |
| "P" | KOHLER/ STERLING | 18 3/4" | 42" | 72" | 17 1/8" |



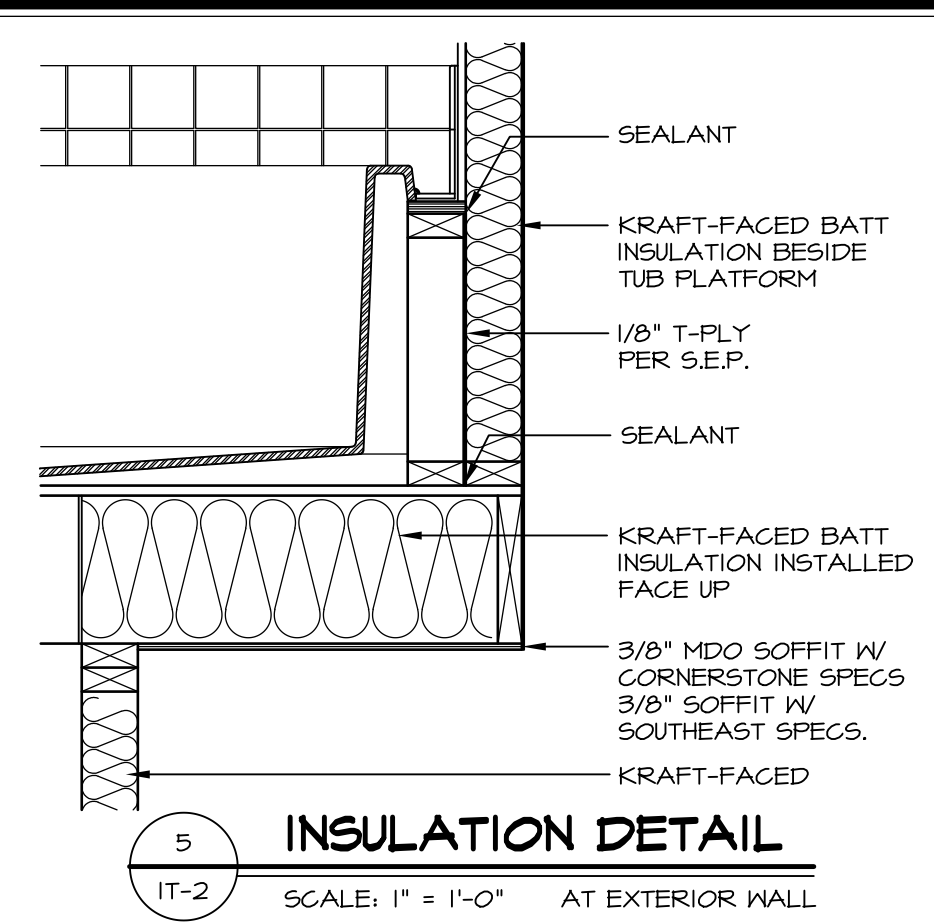
2 SECTION OF TUB ON PLATFORM CONDITION
SCALE: 1" = 1'-0"



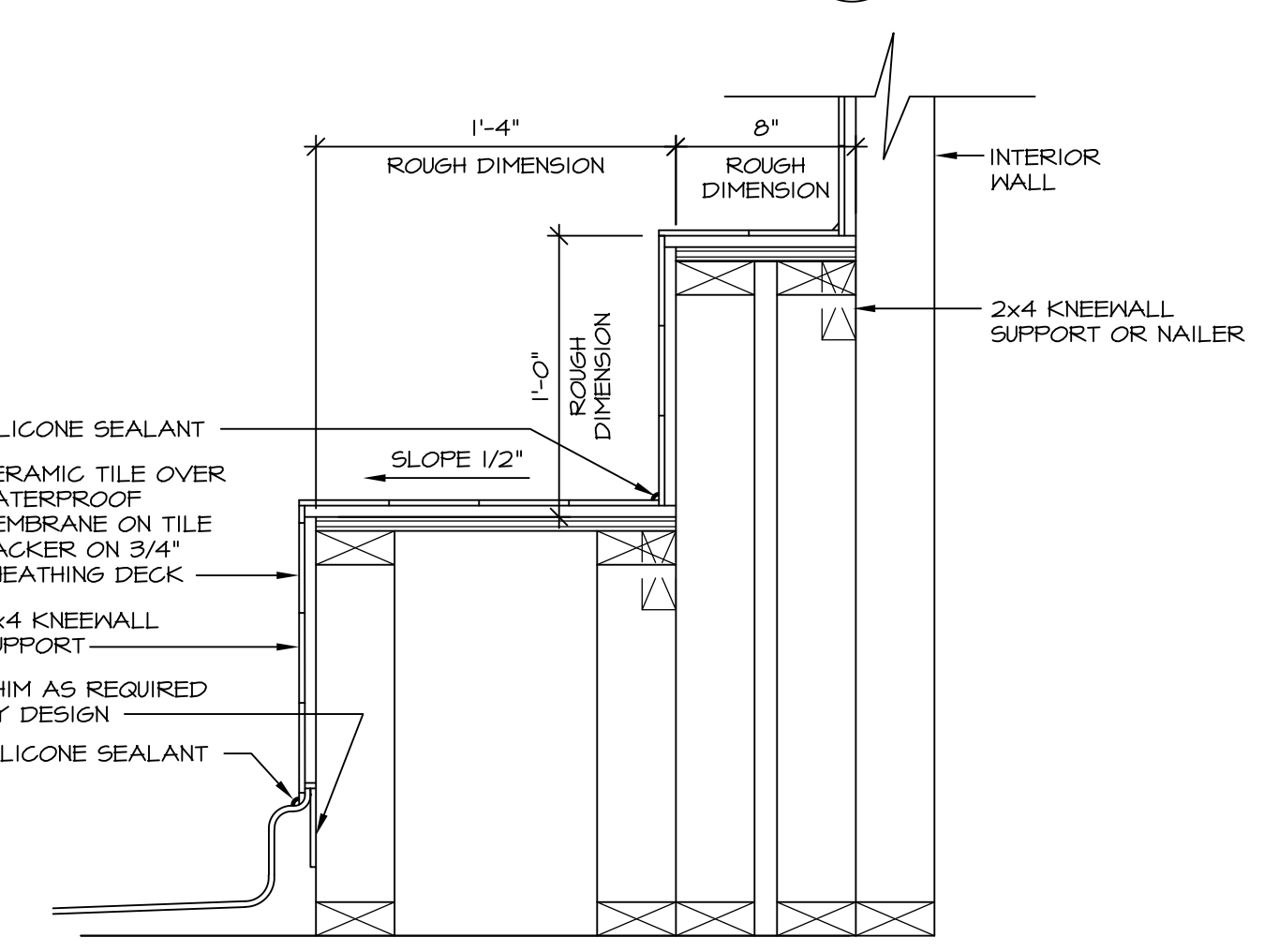
3 SECTION OF TUB TO WALL CONDITION
SCALE: 1 1/2" = 1'-0"



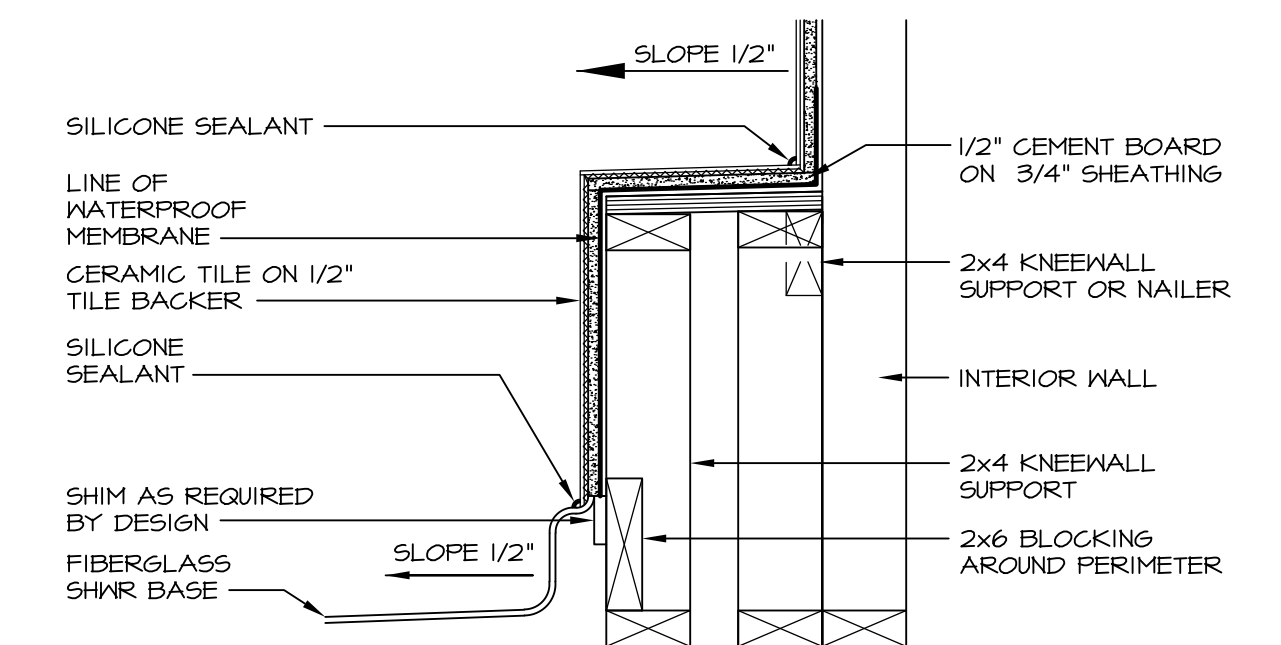
4 ELEVATION
SCALE: 1/2" = 1'-0"



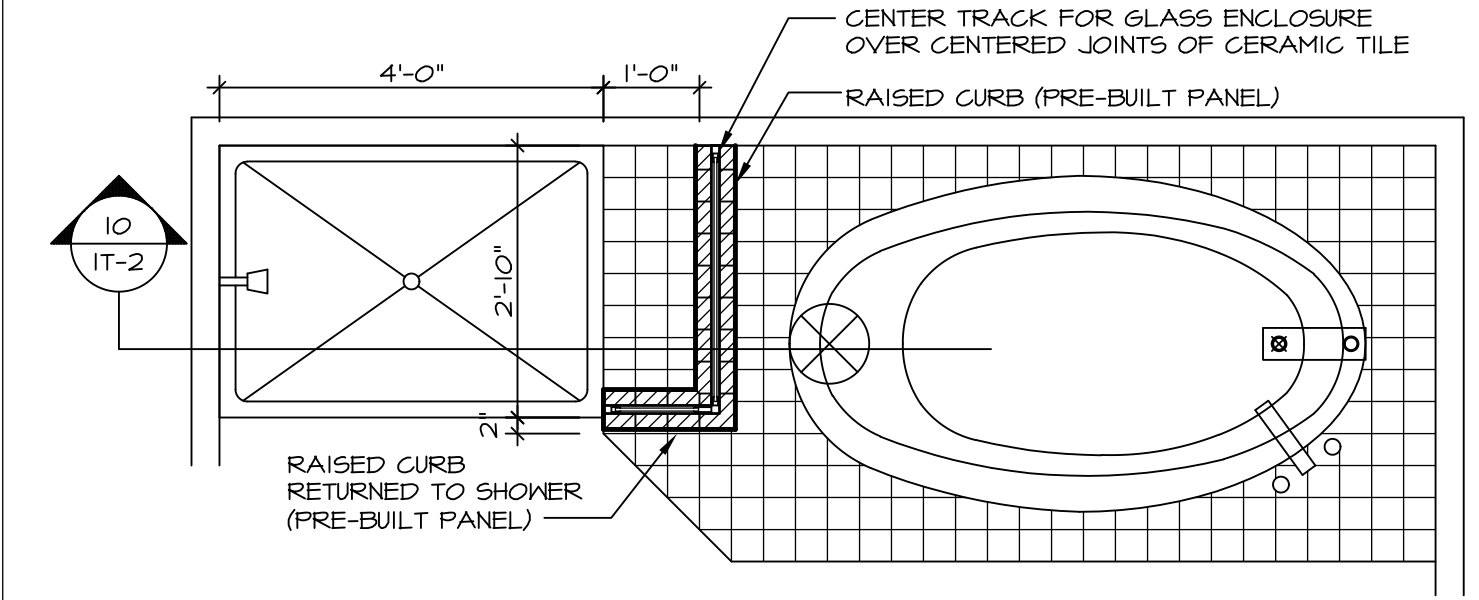
5 INSULATION DETAIL
SCALE: 1" = 1'-0" AT EXTERIOR WALL



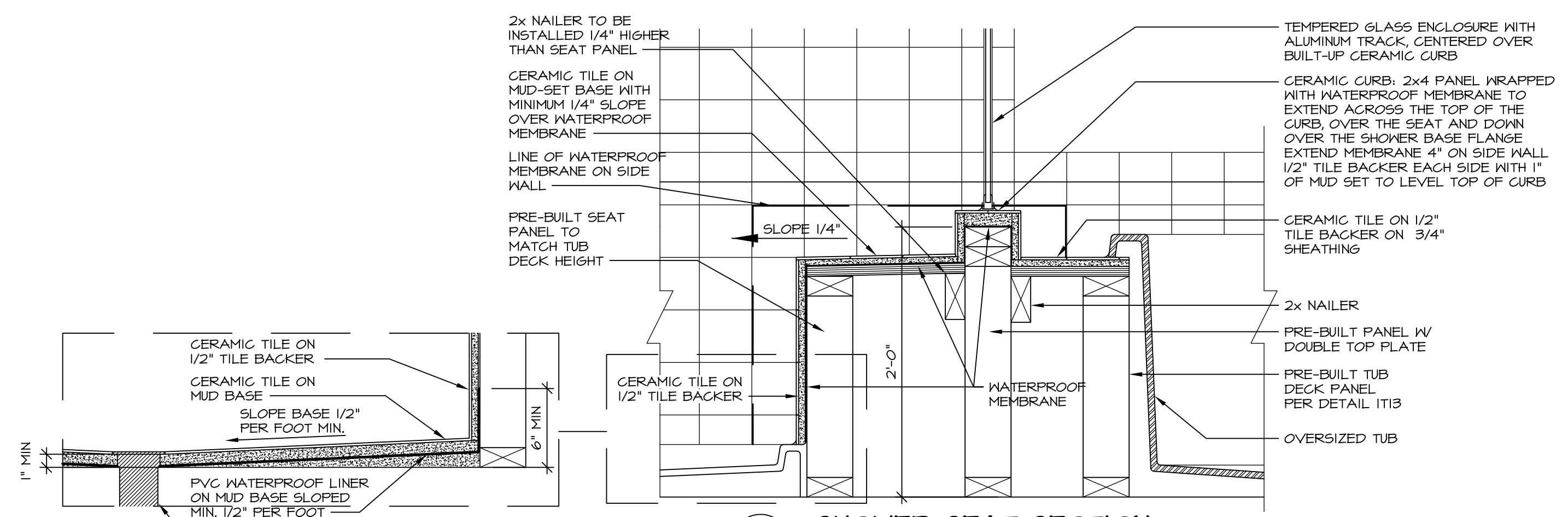
7 SECTION OF SHOWER SEAT AND SHELF
SCALE: 1 1/2" = 1'-0"



8 SECTION OF SHOWER SEAT
SCALE: 1-1/2" = 1'-0" FIBERGLASS SHOWER BASE



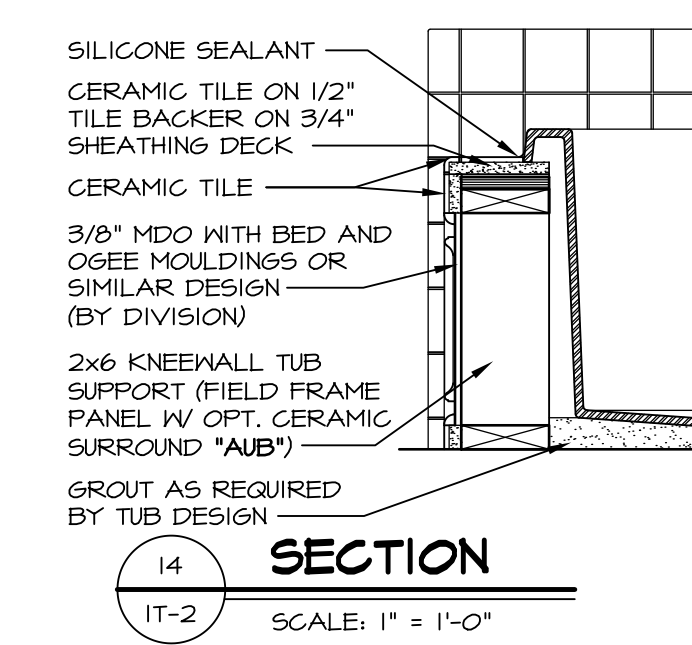
9 SHOWER SEAT PLAN / DETAIL
SCALE: 1/2" = 1'-0"



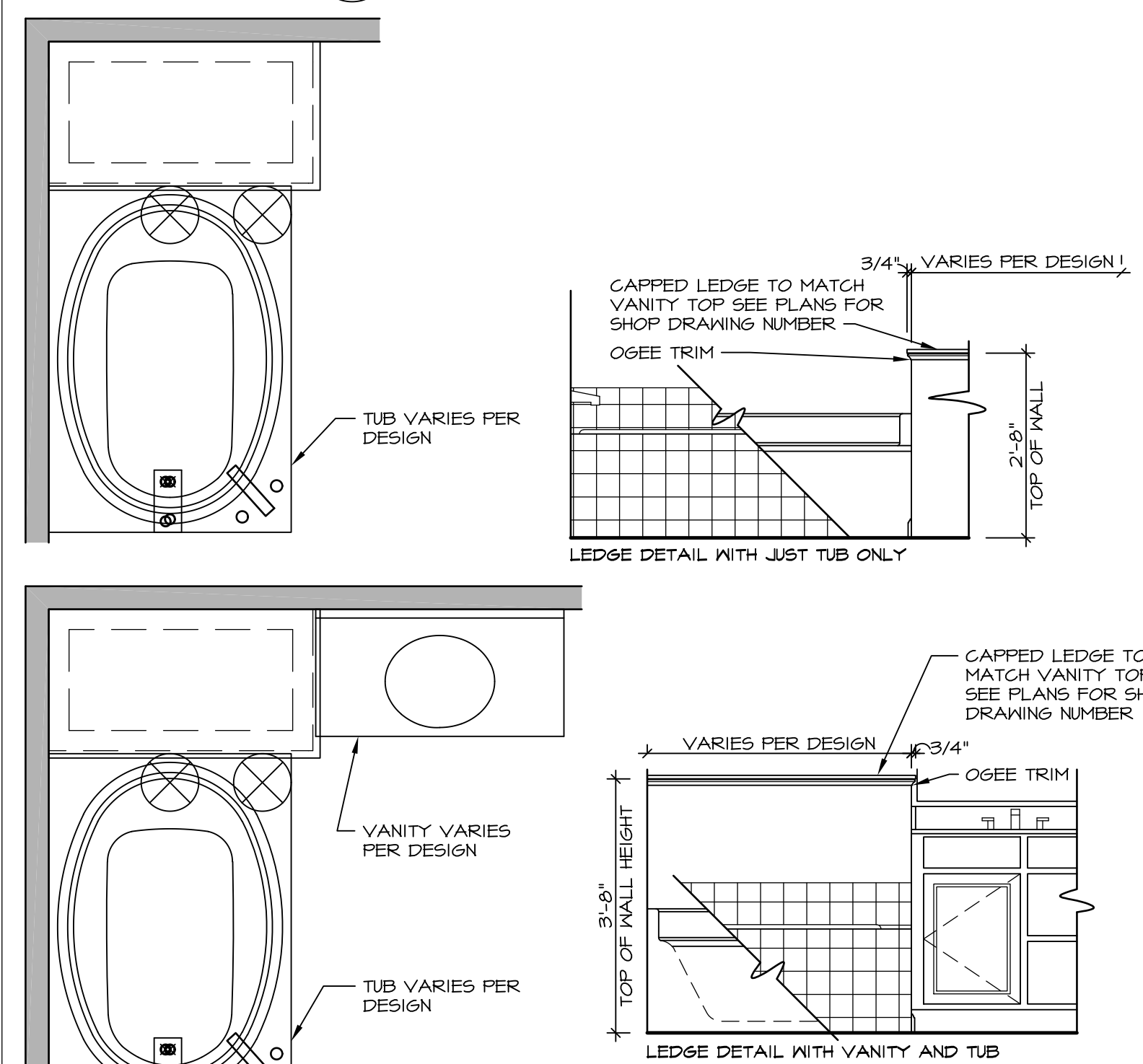
10 SHOWER SEAT SECTION
SCALE: 1-1/2" = 1'-0"



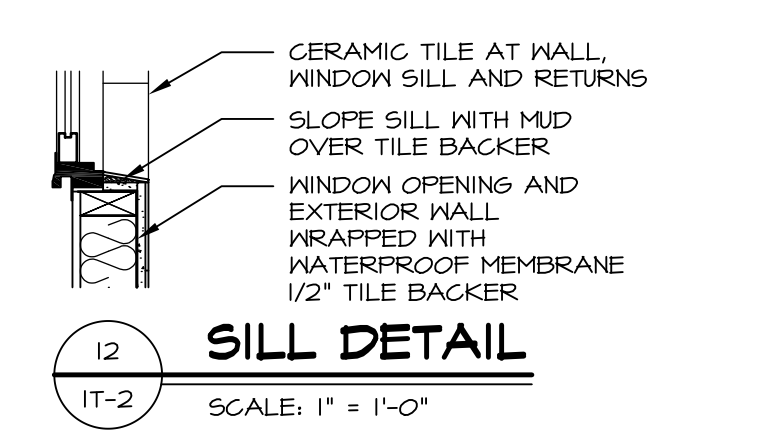
11 ALTERNATE SHOWER PAN DETAIL



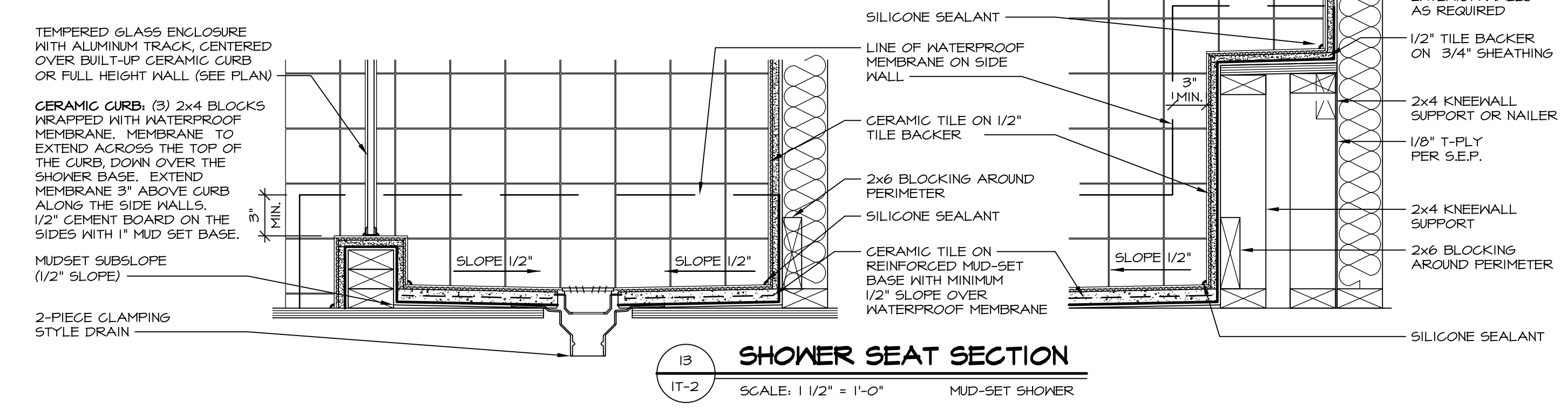
14 SECTION
SCALE: 1" = 1'-0"



11 BATHROOM LEDGE DETAIL
SCALE: 1/2" = 1'-0"



12 SILL DETAIL
SCALE: 1" = 1'-0"



13 SHOWER SEAT SECTION
SCALE: 1 1/2" = 1'-0" MUD-SET SHOWER

REVISIONS

| REV. NO. | DATE | DESCRIPTION |
|----------|---------|---|
| 5/11/17 | 5/11/17 | EEP - REVISED DETAIL 1 AND 11 TO REMOVE TUB ACCESS PANEL REF. (CBS #5 8414) |

REMARKS

SET NO. NVR
VERSION
DRAWN BY
DATE:
OPTION

MODEL
STANDARD DETAILS
DRAWING TITLE
INTERIOR TRIM DETAILS
BATH DETAILS
OPTION DESCRIPTION

IT-2

NVR, Inc., owner, expressly reserves its common law copyright and other property rights in these plans. These plans are not to be copied, reproduced, or otherwise used in any way without the express written consent of NVR, Inc.

NVR
NVR, Inc.
Architectural Services
Architects
5285 Westpark Drive
Frederick, MD 21703

C:\Users\epeterson\AppData\Local\Temp\AutoCAD_Publish_8156\112.dwg 08/10/17 - 1:52 pm