

FOUNDATION BEAM/HEADER SCHEDULE					
IDENTIFIER	DESCRIPTION	LENGTH	OPTIONS	ENG. NUM.	REMARKS
BO1	BEAM STEEL - #8X10	16'-11"		O12, O13	
BO2	BEAM STEEL - #8X15	11'-8"		O13, O14	
BO5	BEAM STEEL - #8X15	30'-0"	BAR, MAA	O24	

STEEL COLUMN SCHEDULE					
IDENTIFIER	STYLE	HEIGHT	OPTIONS	ENG. NUM.	REMARKS
CO1	STANCHION - 4 IN DIA 116A ADJ	T-5 5/8"		O12, O13	
CO2	STANCHION - 3 IN DIA 116A ADJ	T-5 5/8"		O12, O13	
CO3	STANCHION - 3 IN DIA 116A ADJ	T-5 3/8"		O13, O14	
CO4	STANCHION - 3 IN SCHED 40	T-5 3/8"	MAABAR	O25	

PAD FOOTING SCHEDULE					
IDENTIFIER	LENGTH	WIDTH	HEIGHT	OPTIONS	ENG. NUM.
FO1	3'-0"	3'-0"	1'-3"		O12, O13
FO2	2'-3"	2'-3"	1'-0"		O12, O13
FO3	2'-6"	2'-6"	1'-0"		O13, O14
FO4	4'-3"	4'-3"	1'-4"	BAR, MAA	O25

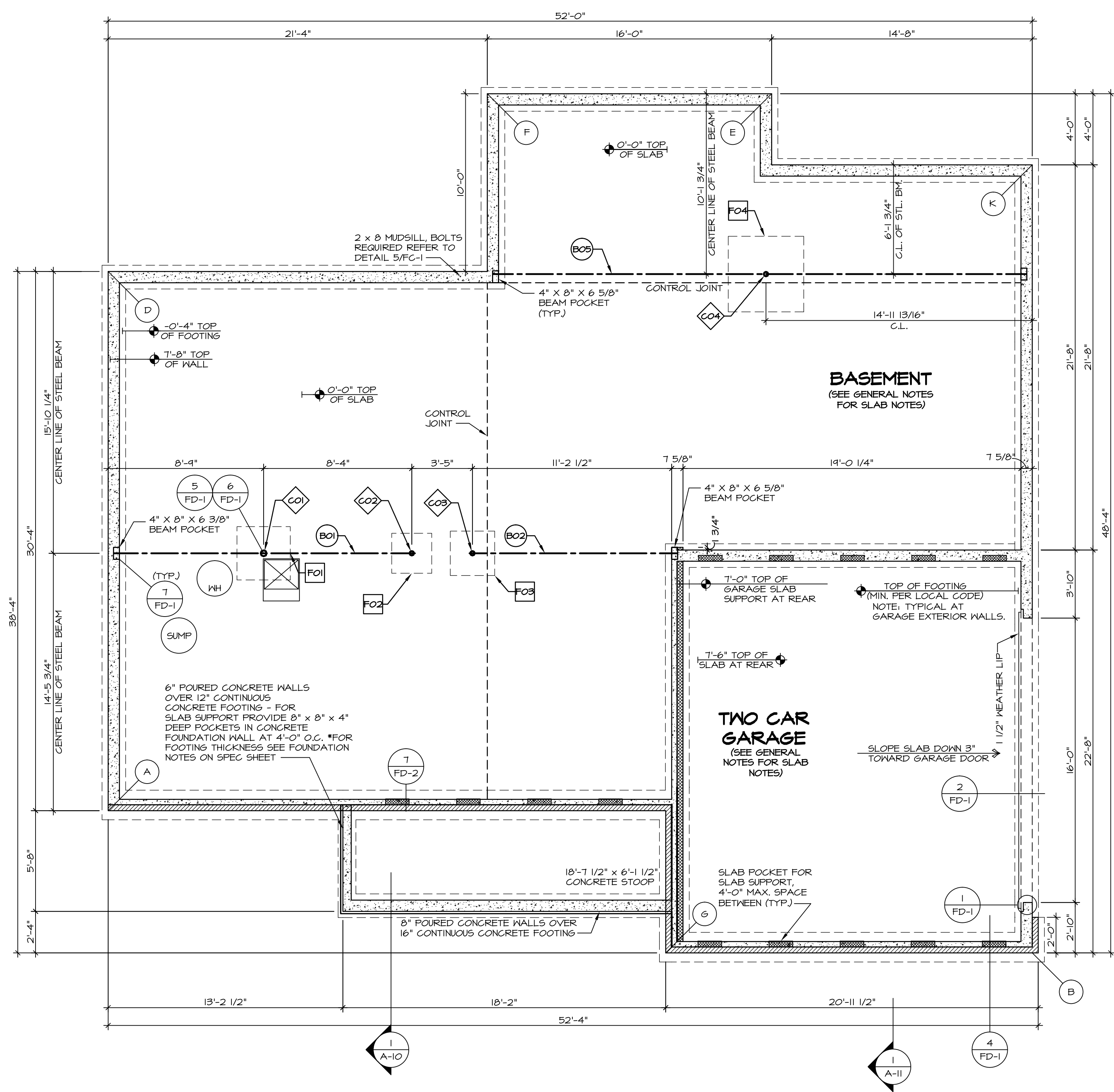
LEGEND	
	BEARING WALL
	NON BEARING WALL
	INDICATES BEARING FROM POINT-LOAD ABOVE
	JACKS
	BEAM/HEADER
	PAD FOOTING
	STEEL COLUMN
	PORTAL FRAME
	JOIST/TRUSS
	LVL
	ENGINEERING PAGE NUMBER

FOUNDATION NOTES - BASEMENT

- FOUNDATION UNDER HABITABLE SPACE:
 - CONCRETE SLAB ON 6 MIL VAPOR BARRIER OVER SUB-BASE (SEE SPEC SHEET FOR SLAB NOTES)
- SLAB UNDER GARAGE:
 - UNEXCAVATED WITH CONCRETE SLAB ON VAPOR BARRIER OVER SUB-BASE (SEE SPEC SHEET FOR SLAB NOTES)
- SEE SHEET (A-4) FOR FOUNDATION CONNECTION INFORMATION.
- OPTIONAL EGRESS WINDOW - LOCATION MAY VARY DUE TO GRADE OR OPTIONS ABOVE WINDOW WELL REQUIRED W/ CERTAIN GRADE CONDITIONS (SEE SPEC SHEET FOR ADDITIONAL INFO.)
- SLAB LEDGE LOCATIONS VARY W/ GRADE BEAM(S) ORIENTATION. SEE GB-1 FOR DETAILS.

FOUNDATION DIAGONALS

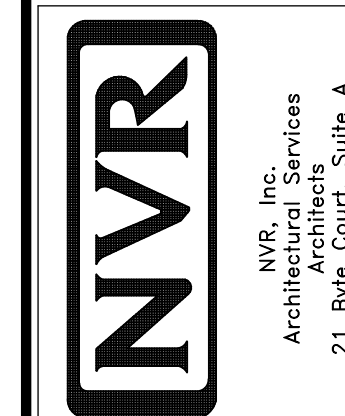
A		B	
A	0"	A	52'-7 11/32"
B	52'-7 11/32"	B	0"
D	30'-4"	D	64'-7 7/32"
E	54'-11 17/32"	E	50'-6 1/8"
F	45'-7 11/32"	F	51'-2 29/32"
G	32'-4 17/32"	G	20'-1 1/2"
K	63'-5 7/32"	K	44'-4"



FOUNDATION PLAN
SCALE: 1/4" = 1'-0"

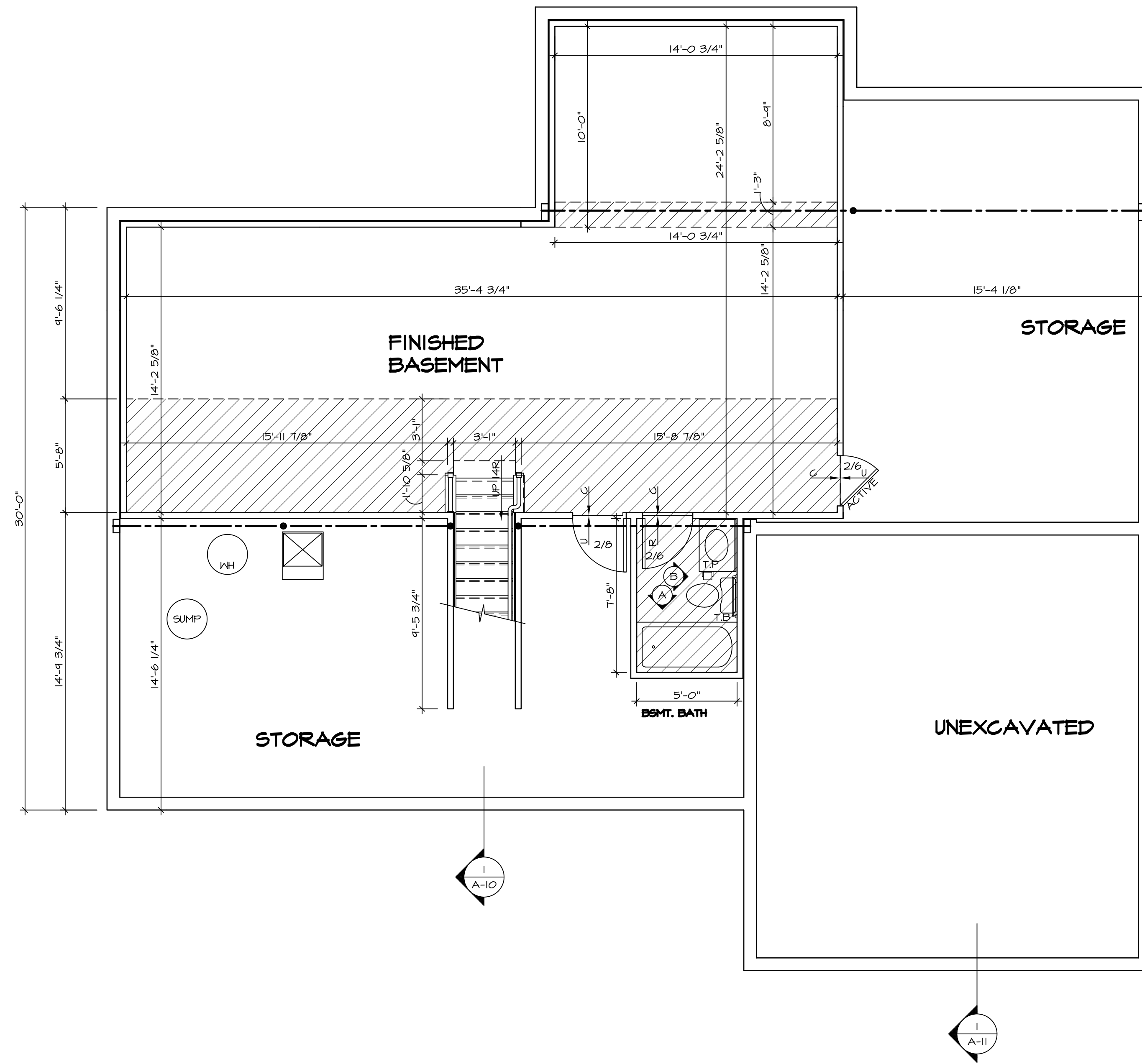
REV. NO.	DATE	REMARKS
1	08/02/16 TH	DRAWING ALIGNMENT

NVR, Inc., owner, expressly reserves its copyright in these plans. These plans are not to be reproduced, changed, copied, or otherwise used in any way without the written consent of NVR, Inc.



SET NO. RYNOO	VERSION 03
DRAWN BY CSE	DATE:
OPTION	

MODEL RAVENNA	DRAWING TITLE FOUNDATION PLAN
SHEET NO. A-2	OPTION DESCRIPTION



BASEMENT FLOOR PLAN
SCALE: 1/4" = 1'-0"

LEGEND

	BEARING WALL
	NON BEARING WALL
	INDICATES BEARING FROM POINT-LOAD ABOVE
	JACKS
	BEAM/HEADER
	PAD FOOTING
	STEEL COLUMN
	PORTAL FRAME
	JOIST/TRUSS
	LVL
	ENGINEERING PAGE NUMBER

SEE FC DETAILS FOR FRAMING CONNECTORS

- FLOOR PLAN NOTES**
- ALL HEADERS ARE (2) 2x6 w/ 2x4 WALLS OR (3) 2x6 w/ 2x6 WALLS, UNLESS OTHERWISE NOTED.
 - ALL HEADERS TO HAVE (1) 2x4 OR 2x6 JACK EACH END, UNLESS OTHERWISE NOTED.
 - ALL EXTERIOR WALLS TO BE 4" AND ALL INTERIOR WALLS TO BE 3 1/2" UNLESS OTHERWISE NOTED.
 - HATCHED AREAS INDICATE DROPPED CEILINGS. ALL DROPPED CEILINGS ARE 12" UNLESS OTHERWISE NOTED. SEE "BRACED WALL PANEL DETAIL SHEET" FOR SPECIAL WALL FRAMING LOCATIONS AND HEADER SIZES, IF APPLICABLE.
 - SEE STANDARD DETAIL CATEGORY "IT" SHEET(S) FOR INTERIOR TRIM DETAILS.
 - SEE ARCHITECTURAL DETAIL SHEET "AD" FOR HOUSE SPECIFIC INTERIOR TRIM OPTION TABLE.
 - ALL WINDOWS HAVE T-O 1/2" HEADER HEIGHT UNLESS OTHERWISE NOTED.

- GYPSUM NOTES**
- AT GARAGE:
GYPSUM BOARD AT COMMON WALLS, CEILINGS, BEAM WRAPS AND SUPPORTS PER STANDARD DETAIL FA-1(b) FIRE ASSEMBLIES OR AS REQUIRED BY LOCAL CODE.
- AT STAIRS:
1/2" GYPSUM BOARD AT UNDERSIDE OF STAIRS AND WALLS IN CLOSET

SHEET NO. A-7	MODEL RAVENNA	SET NO. RYNOO	VERSION 03	DATE:	OPTION
		DRAWING TITLE BASEMENT FLOOR PLAN	DRAWN BY	DATE:	OPTION
44					

OPTION DESCRIPTION

REMARKS

REV. NO. DATE

08/02/16 TH - DRAWING ALIGNMENT

NVR, Inc., owner, expressly reserves its common law copyright in these plans. These plans are not to be reproduced, changed, adapted in any way, or otherwise used, without the prior written consent of NVR, Inc.

NVR
Architectural Services
21 Bay Street, Suite A
Frederick, MD 21702

C:\NVR\Solves\RAVENNA_RYNOO_03\DCY-B1-002\314916\Sheets\Lot_Spec\14 A-7 BSMT_LS.dwg 01/04/17 - 3:09 pm

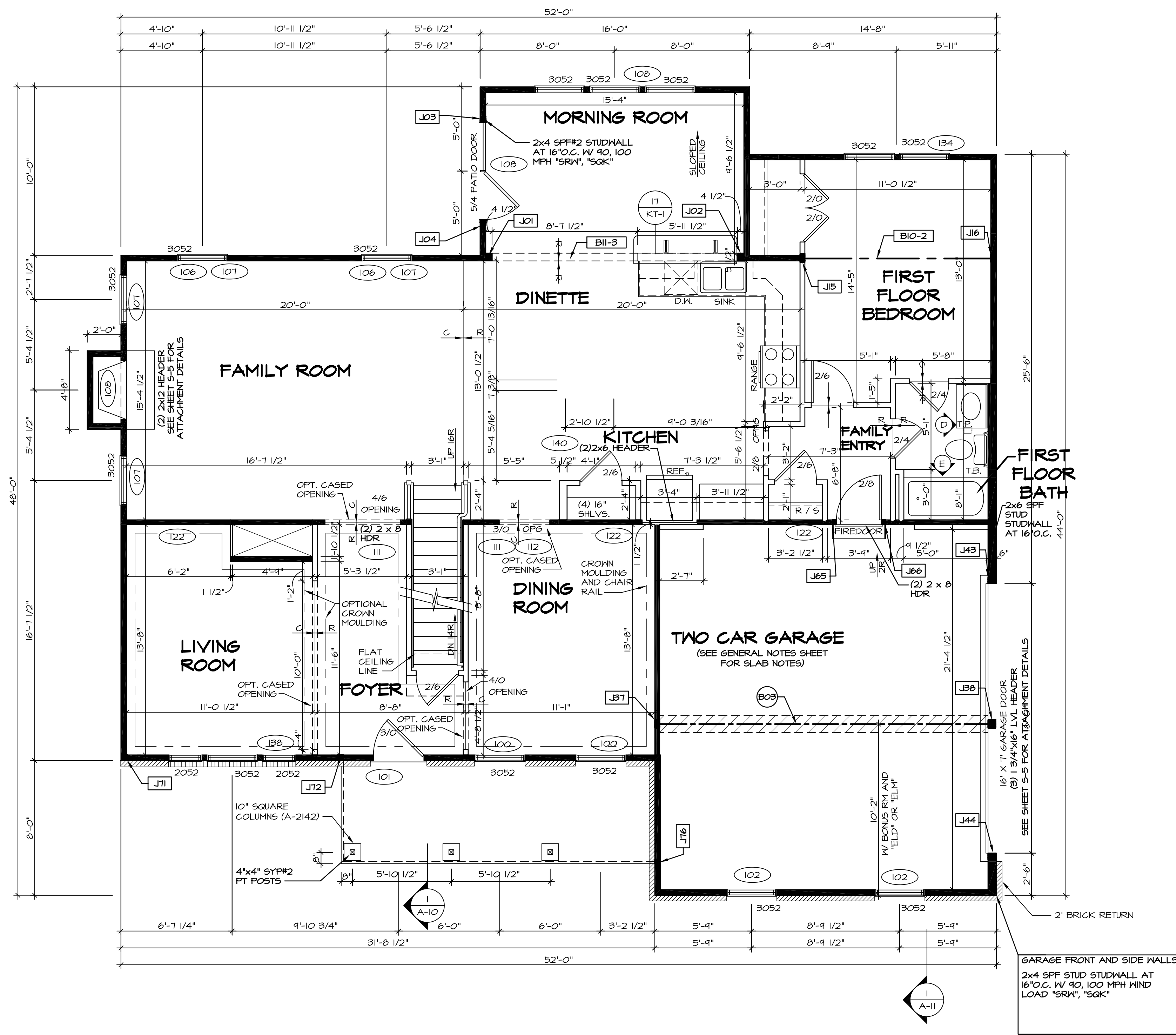
FIRST FLOOR JACK SCHEDULE				
IDENTIFIER	DESCRIPTION	OPTIONS	ENG. NUM.	REMARKS
J01	JACK - (3) 2X6 SFF STUD GRADE	MAA	112	
J02	JACK - (3) 2X6 SFF STUD GRADE	MAA	112	
J03	JACK - (3) 2X4 SFF STUD GRADE	SRM, SQK, MAA	116	FULL HEIGHT STUDS
J04	JACK - (3) 2X4 SFF STUD GRADE	SRM, SQK, MAA	116	FULL HEIGHT STUDS
J15	JACK - (4) 2X4 SFF STUD GRADE	BAR	133	
J16	JACK - (4) 2X4 SFF STUD GRADE	BAR	133	
J37	JACK - (4) 2X4 SPM	MAV, ELD, ELM, GCC	145	
J38	JACK - (4) 2X6 SPM	MAV, ELD, ELM, GCC	145	
J43	JACK - (3) 2X6 SFF STUD GRADE	GCC, MAV	115	
J44	JACK - (3) 2X6 SFF STUD GRADE	GCC, MAV	115	
J65	JACK - (2) 2X4 SFF STUD GRADE	BAR	112	
J66	JACK - (2) 2X4 SFF STUD GRADE	BAR	112	
J71	JACK - (3) 2X4 SPM	ELM	176	
J72	JACK - (3) 2X4 SPM	ELM	176	
J76	JACK - (2) 2X4 SFF STUD GRADE		101	

LVL PLY TO PLY FASTENING SCHEDULE:	
1A	(2) PLY UP TO AND INCLUDING 11 7/8" TALL; FASTEN PLYS W/ (2) ROWS 16D NAILS AT 12" O.C.
2A	(2) PLY 14" TO AND 18" TALL (INCLUSIVE); FASTEN PLYS W/ (3) ROWS 16D NAILS AT 12" O.C.
3A	(2) PLY 20" TALL AND OVER; FASTEN PLYS W/ (4) ROWS 16D NAILS AT 12" O.C.
4A	(3) PLY UP TO AND INCLUDING 11 7/8" TALL; FASTEN PLYS W/ (2) ROWS 16D NAILS AT 12" O.C. FROM EACH SIDE
5A	(3) PLY 14" TO AND 18" TALL (INCLUSIVE); FASTEN PLYS W/ (3) ROWS 16D NAILS AT 12" O.C. FROM EACH SIDE
6A	(3) PLY 20" TALL AND OVER; FASTEN PLYS W/ (4) ROWS 16D NAILS AT 12" O.C. FROM EACH SIDE

FIELD INSTALLED FIRST FLOOR BEAM/HEADER SCHEDULE					
IDENTIFIER	DESCRIPTION	LENGTH	OPTIONS	ENG. NUM.	REMARKS
B03	BEAM STEEL - W12X14	20'-2 1/2"	MAV, ELD, ELM, GCC	145	
B10-2	LVL - 11-14	11'-1"	BAR	133	2 PLY, 1A
B11-3	LVL - 16	15'-4"	MAA	112	3 PLY, 5A

LEGEND	
	BEARING WALL
	NON BEARING WALL
	INDICATES BEARING FROM POINT-LOAD ABOVE
	JACKS
	BEAM/HEADER
	PAD FOOTING
	STEEL COLUMN
	PORTAL FRAME
	JOIST/TRUSS
	LVL
	ENGINEERING PAGE NUMBER

- FLOOR PLAN NOTES**
- ALL HEADERS ARE (2) 2x6 W/ 2x4 WALLS OR (3) 2x6 W/ 2x6 WALLS, UNLESS OTHERWISE NOTED.
 - ALL HEADERS TO HAVE (1) 2x4 OR 2x6 JACK EACH END, UNLESS OTHERWISE NOTED.
 - ALL EXTERIOR WALLS TO BE 4" AND ALL INTERIOR WALLS TO BE 3 1/2", UNLESS OTHERWISE NOTED.
 - HATCHED AREAS INDICATE DROPPED CEILINGS. ALL DROPPED CEILINGS ARE 12" UNLESS OTHERWISE NOTED.
 - SEE "BRACED WALL PANEL DETAIL SHEET" FOR SPECIAL WALL FRAMING LOCATIONS AND HEADER SIZES, IF APPLICABLE.
 - SEE STANDARD DETAIL, CATEGORY "IT" SHEET(S) FOR INTERIOR TRIM DETAILS.
 - SEE ARCHITECTURAL DETAIL SHEET "AD" FOR HOUSE SPECIFIC INTERIOR TRIM OPTION TABLE.
 - ALL WINDOWS HAVE 1'-0 1/2" HEADER HEIGHT UNLESS OTHERWISE NOTED.
- GYPSUM NOTES**
- AT GARAGE:
GYPSUM BOARD AT COMMON WALLS, CEILINGS, BEAM WRAPS AND SUPPORTS PER STANDARD DETAIL FA-1(b) FIRE ASSEMBLIES OR AS REQUIRED BY LOCAL CODE.
- AT STAIRS:
1/2" GYPSUM BOARD AT UNDERSIDE OF STAIRS AND WALLS IN CLOSET



FIRST FLOOR PLAN
SCALE: 1/4" = 1'-0"

REVISIONS	REV. NO.	DATE	DESCRIPTION
	1	08/02/16	TH - DRAWING ALIGNMENT

REMARKS

SET NO. RYNOO
VERSION 03
DRAWN BY
DATE:
OPTION

MODEL
RAVENNA
DRAWING TITLE
FIRST FLOOR PLAN
OPTION DESCRIPTION

SHEET NO.
A-8

45

NVR, Inc., owner, expressly reserves its copyright in these plans. These plans are not to be reproduced, changed, copied, or otherwise used in any way without the written consent of NVR, Inc.

NVR
Architectural Services
21 Park Plaza, Ste. A
Frederick, MD 21702

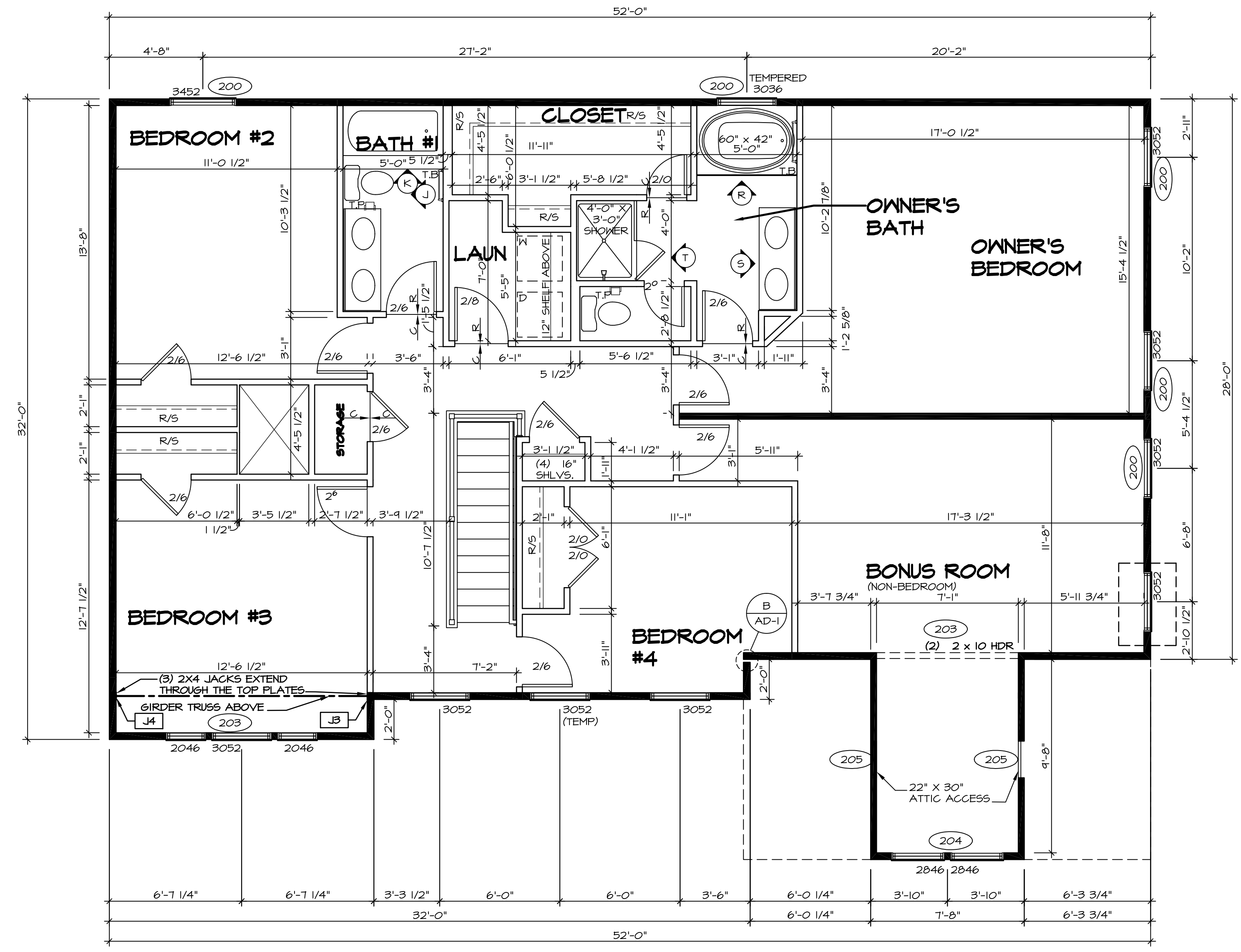
C:\NVR\Solves\RAVENNA_RYNOO_03\031-B1-002\31491616\Sheets\01_Spec\01_45 A-8 PLNT_LS.dwg 01/04/17 - 3:09 PM

SECOND FLOOR JACK SCHEDULE				
IDENTIFIER	DESCRIPTION	OPTIONS	ENG. N.M.	REMARKS
J3	JACK - (3) 2X4 SFF STUD GRADE	ELM	205	
J4	JACK - (3) 2X4 SFF STUD GRADE	ELM	205	

LEGEND	
	BEARING WALL
	NON BEARING WALL
	INDICATES BEARING FROM POINT-LOAD ABOVE
	JACKS
	BEAM/HEADER
	PAD FOOTING
	STEEL COLUMN
	PORTAL FRAME
	JOIST/TRUSS
	LVL
	ENGINEERING PAGE NUMBER

SEE FC DETAILS FOR FRAMING CONNECTORS

- FLOOR PLAN NOTES**
- ALL HEADERS ARE (2) 2x6 w/ 2x4 WALLS OR (3) 2x6 w/ 2x6 WALLS, UNLESS OTHERWISE NOTED.
 - ALL HEADERS TO HAVE (1) 2x4 OR 2x6 JACK EACH END, UNLESS OTHERWISE NOTED.
 - ALL EXTERIOR WALLS TO BE 4" AND ALL INTERIOR WALLS TO BE 3 1/2", UNLESS OTHERWISE NOTED.
 - HATCHED AREAS INDICATE DROPPED CEILINGS. ALL DROPPED CEILINGS ARE 12" UNLESS OTHERWISE NOTED.
 - SEE "BRACED WALL PANEL DETAIL SHEET" FOR SPECIAL WALL FRAMING LOCATIONS AND HEADER SIZES, IF APPLICABLE.
 - SEE STANDARD DETAIL CATEGORY "IT" SHEET(S) FOR INTERIOR TRIM DETAILS.
 - SEE ARCHITECTURAL DETAIL SHEET "AD" FOR HOUSE SPECIFIC INTERIOR TRIM OPTION TABLE.
 - ALL WINDOWS HAVE 7'-0 1/2" HEADER HEIGHT UNLESS OTHERWISE NOTED.



1 SECOND FLOOR PLAN
SCALE: 1/4" = 1'-0"

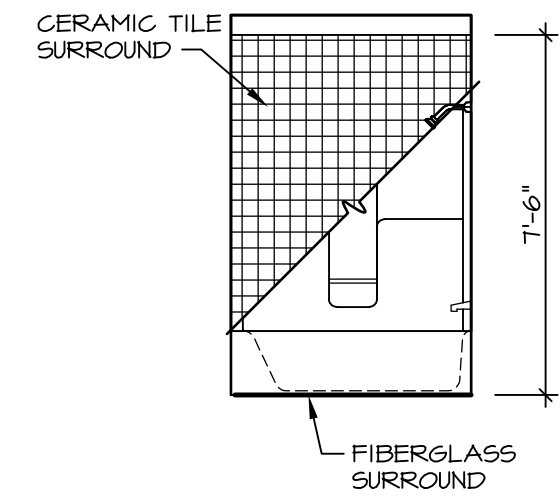
SHEET NO.	MODEL	SET NO.	VERSION	DATE	OPTION	REMARKS
A-9	RAVENNA	03	03			
49						

NVR, Inc. owner, expressly agrees its common law copyright in these plans shall not be reproduced, changed, copied, or otherwise used in any way without the written consent of NVR, Inc.

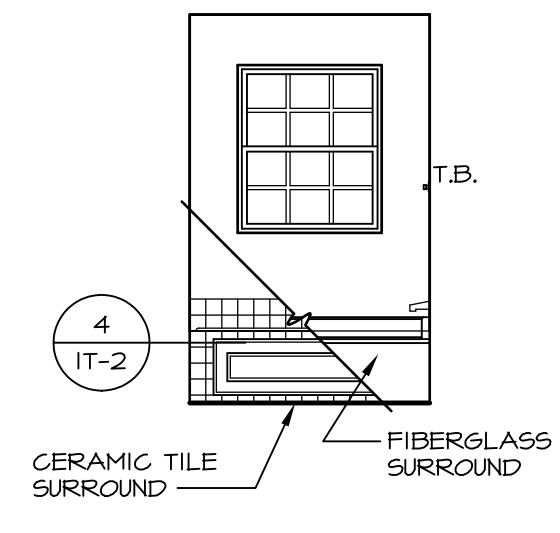
NVR
 NVR, Inc.
 Architectural Services
 Architects
 21 Bayview Plaza, A
 Frederick, MD 21702

SET NO. RYNOO
 VERSION 03
 DRAWN BY
 DATE:
 OPTION

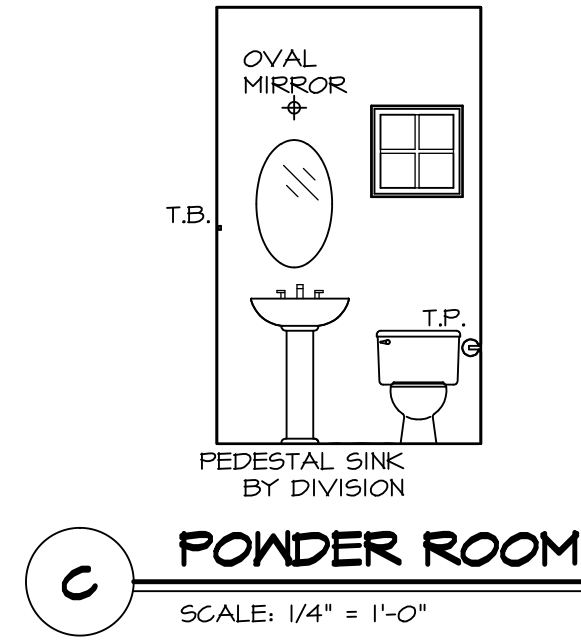
C:\NVR\Solves\RAVENNA_RYNOO_03\03T-B1-002\314916\Sheets\Lot_Spec\149 A-9 PLAN_2_LS.dwg 01/04/17 - 3:09 PM



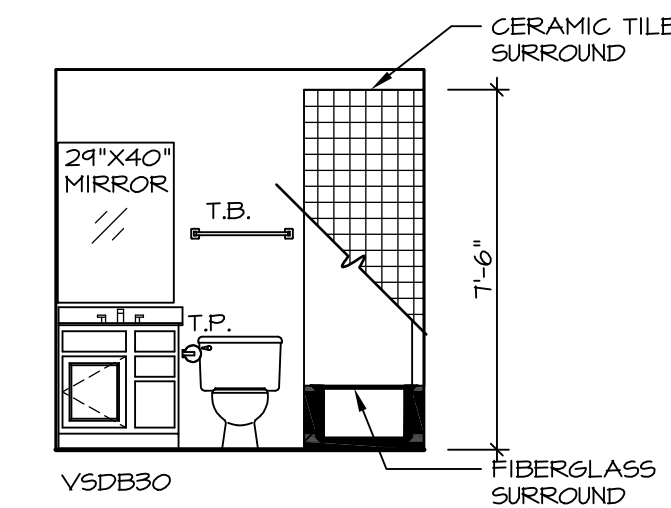
A **BASEMENT BATH**
SCALE: 1/4" = 1'-0"



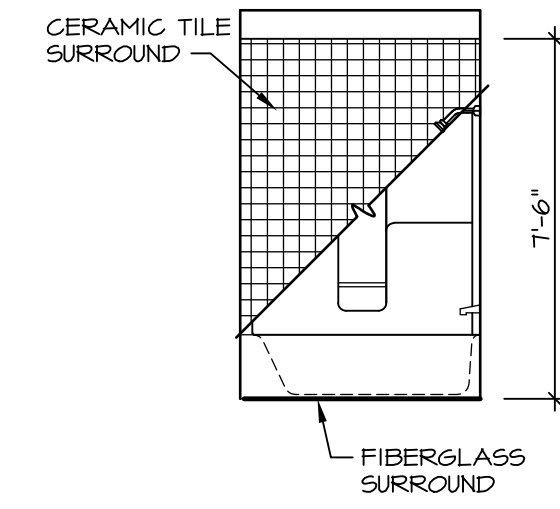
R **OWNER'S BATH**
SCALE: 1/4" = 1'-0"



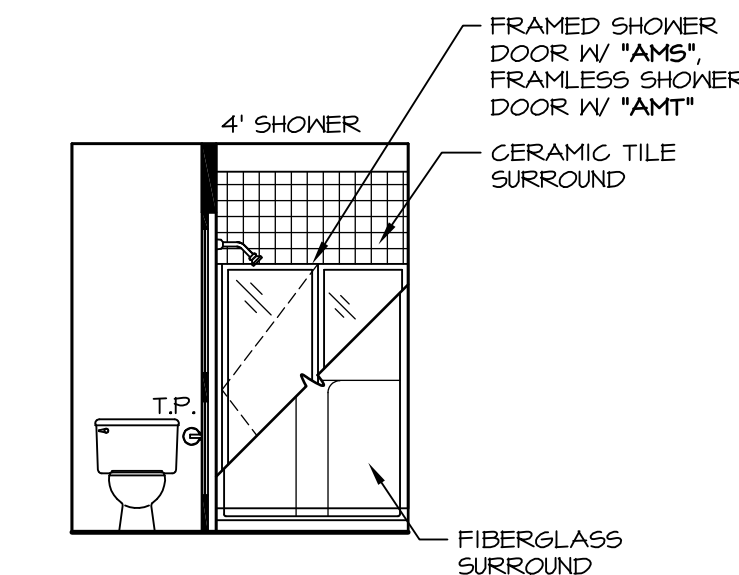
C **POWDER ROOM**
SCALE: 1/4" = 1'-0"



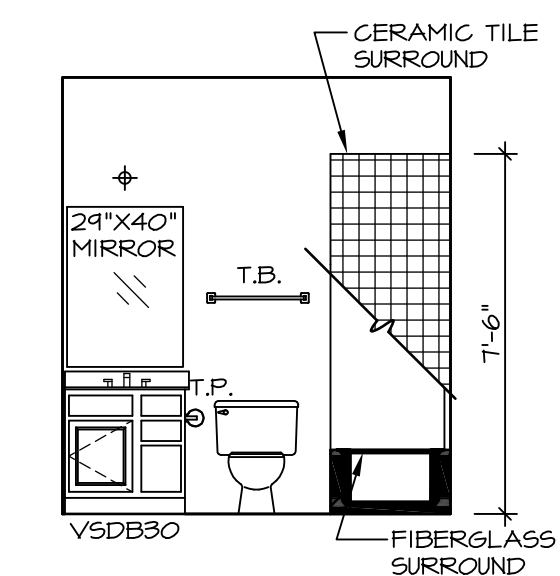
B **BASEMENT BATH**
SCALE: 1/4" = 1'-0"



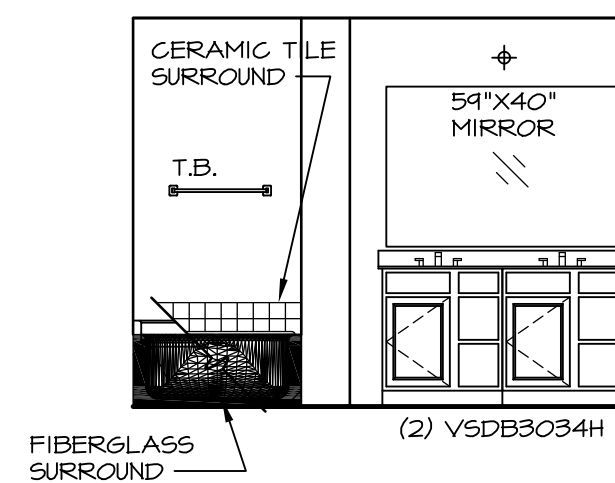
K **BATH #1**
SCALE: 1/4" = 1'-0"



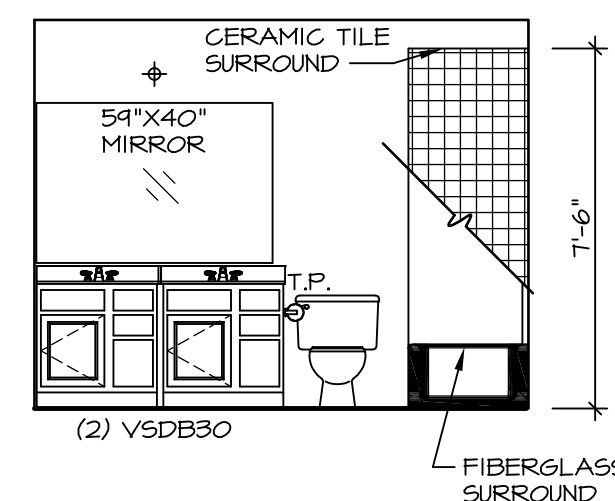
T **OWNER'S BATH**
SCALE: 1/4" = 1'-0"



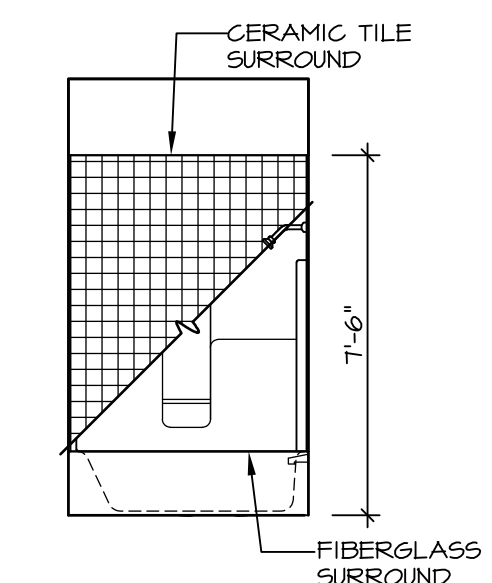
D **FIRST FLOOR BATH**
SCALE: 1/4" = 1'-0"



S **OWNER'S BATH**
SCALE: 1/4" = 1'-0"



J **BATH #1**
SCALE: 1/4" = 1'-0"



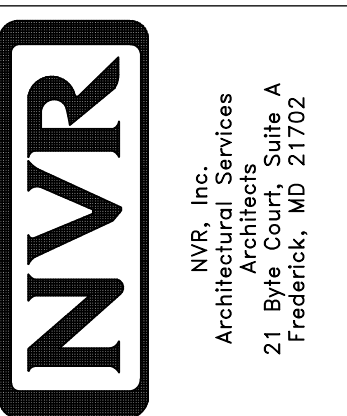
E **FIRST FLOOR BATH**
SCALE: 1/4" = 1'-0"

- NOTES:**
1. TEMPERED GLASS SHOWER ENCLOSURE WITH SWING DOOR OR OPTIONAL SLIDING DOOR BY DIVISION
 2. TUB ACCESS PANELS PROVIDED AS NEEDED. ALL MATERIALS BY DIVISION
 3. REFER TO SHEET IT-2 FOR TUB AND SHOWER DETAILS.
 4. ALL V5DB24-42 DRAWERS TO BE SET ON RIGHT HAND.
 5. BATH ELEVATIONS ARE SHOWN PER PLAN.

REMARKS

REV. NO. DATE 08/02/16 TH - DRAINING ALIGNMENT

NVR, Inc., owner, expressly reserves its copyright in these plans. These plans are not to be reproduced, changed, adapted, or otherwise used in any way without the written consent of NVR, Inc.



MODEL	SET NO. RAVENNA
DRAWING TITLE	VERSION 03
BATH ELEVATIONS	DRAWN BY
OPTION DESCRIPTION	DATE:
	OPTION
SHEET NO.	A-14
	62