

**LEGEND**

	BEARING WALL
	NON BEARING WALL
	INDICATES BEARING FROM POINT-LOAD ABOVE
	JACKS
	BEAM/HEADER
	PAD FOOTING
	STEEL COLUMN
	PORTAL FRAME
	JOIST/TRUSS
	LVL
	ENGINEERING PAGE NUMBER

SEE FC DETAILS FOR FRAMING CONNECTORS

- FLOOR PLAN NOTES**
1. ALL HEADERS ARE (2) 2x6 w/ 2x4 WALLS OR (3) 2x6 w/ 2x6 WALLS, UNLESS OTHERWISE NOTED.
  2. ALL HEADERS TO HAVE (1) 2x4 OR 2x6 JACK EACH END, UNLESS OTHERWISE NOTED.
  3. ALL EXTERIOR WALLS TO BE 4" AND ALL INTERIOR WALLS TO BE 3 1/2", UNLESS OTHERWISE NOTED.
  4. HATCHED AREAS INDICATE DROPPED CEILINGS. ALL DROPPED CEILINGS ARE 12" UNLESS OTHERWISE NOTED.
  5. SEE "BRACED WALL PANEL DETAIL SHEET" FOR SPECIAL WALL FRAMING LOCATIONS AND HEADER SIZES, IF APPLICABLE.
  6. SEE STANDARD DETAIL CATEGORY "IT" SHEET(S) FOR INTERIOR TRIM DETAILS.
  7. SEE ARCHITECTURAL DETAIL SHEET "AD" FOR HOUSE SPECIFIC INTERIOR TRIM OPTION TABLE.
  8. ALL WINDOWS HAVE 7'-0 1/2" HEADER HEIGHT UNLESS OTHERWISE NOTED.
  9. ALL CASED OPENINGS AT T-11", UNLESS OTHERWISE NOTED.

- GYPSUM NOTES**
- AT GARAGE:  
GYPSUM BOARD AT COMMON WALLS, CEILING, BEAM WRAPS AND SUPPORTS PER STANDARD DETAIL FA-1(b) FIRE ASSEMBLIES OR AS REQUIRED BY LOCAL CODE.
- AT STAIRS:  
1/2" GYPSUM BOARD AT UNDERSIDE OF STAIRS AND WALLS IN CLOSET

**BASEMENT FLOOR PLAN**  
SCALE: 1/4" = 1'-0"

SHEET NO. <b>A-6</b>	MODEL <b>PALERMO</b>	SET NO. <b>PALOO</b>	REVISIONS	REMARKS
	DRAWING TITLE <b>BASEMENT FLOOR PLAN</b>	VERSION <b>03</b>	DATE: <b>08/05/16</b>	TH - DRAWING ALIGNMENT
OPTION DESCRIPTION <b>51</b>				

NVR, Inc. owner, expressly reserves its copyright in these plans. These plans are not to be reproduced, changed, adapted, or otherwise used in any way without the written consent of NVR, Inc.

**NVR**  
Architectural Services  
5285 Westpark Drive  
Frederick, MD 21703

C:\NVR\Solves\PALERMO\_PALOO\_03\DCY-BI-0240\301154\Sheets\Lot\_Specific\51\_A-6\_BSMF\_LS.dwg 08/01/17 - 7:00 am

FIRST FLOOR JACK SCHEDULE				
IDENTIFIER	DESCRIPTION	OPTIONS	ENG. NUM.	REMARKS
J106	JACK - (2) 2X4 SFF STUD GRADE		1012	
J107	JACK - (2) 2X4 SFF STUD GRADE		1012	
J108	JACK - (2) 2X4 SFF STUD GRADE		1012	
J109	JACK - (3) 2X4 SFF STUD GRADE	GCB	1046	
J110	JACK - (3) 2X4 SFF STUD GRADE	GCB	1046	
J120	JACK - (4) 2X6 SFF STUD GRADE	MAA	1019	
J121	JACK - (3) 2X6 SFF STUD GRADE	MAA	1019	FIELD INSTALLED
J122	JACK - (3) 2X4 SFF STUD GRADE	SRM	1040	
J124	JACK - (3) 2X4 SFF STUD GRADE	ELC	1021	
J125	JACK - (2) 2X4 SFF STUD GRADE	ELC	1004	
J126	JACK - (2) 2X4 SFF STUD GRADE	ELC	1004	
J127	JACK - (2) 2X4 SFF STUD GRADE	ELC	1030	
J128	JACK - (2) 2X4 SFF STUD GRADE	ELC	1030	
J133	JACK - (2) 2X4 SFF STUD GRADE	GCBMAV	1044, 1131	CRIPPLES
J134	JACK - (2) 2X4 SFF STUD GRADE	GCBMAV	1044, 1131	CRIPPLES
J139	JACK - (2) 2X4 SFF STUD GRADE	ELC	1021	
J158	JACK - (3) 2X4 SFF STUD GRADE	EVA, MAV		
J160	JACK - (3) 2X4 SFF STUD GRADE	EVA, MAV		
J161	JACK - (2) 2X4 SFF STUD GRADE	L66	1082	
J168	JACK - (2) 2X4 SFF STUD GRADE	L66	1082	
J171	JACK - (2) 2X4 SFF STUD GRADE	ELC, EVA		

**LVL PLY TO PLY FASTENING SCHEDULE:**

1A - (2) FLY UP TO AND INCLUDING 11 7/8" TALL; FASTEN FLIES W/ (2) ROWS 16D NAILS AT 12" O.C.  
 2A - (2) FLY 14" TO AND INCLUDING 18" TALL (INCLUSIVE); FASTEN FLIES W/ (3) ROWS 16D NAILS AT 12" O.C.  
 3A - (2) FLY 20" TALL AND OVER; FASTEN FLIES W/ (4) ROWS 16D NAILS AT 12" O.C.  
 4A - (3) FLY UP TO AND INCLUDING 11 7/8" TALL; FASTEN FLIES W/ (2) ROWS 16D NAILS AT 12" O.C. FROM EACH SIDE  
 5A - (3) FLY 14" TO AND INCLUDING 18" TALL (INCLUSIVE); FASTEN FLIES W/ (3) ROWS 16D NAILS AT 12" O.C. FROM EACH SIDE  
 6A - (3) FLY 20" TALL AND OVER; FASTEN FLIES W/ (4) ROWS 16D NAILS AT 12" O.C. FROM EACH SIDE

FIRST FLOOR BEAM/HEADER SCHEDULE					
IDENTIFIER	DESCRIPTION	LENGTH	OPTIONS	ENG. NUM.	REMARKS
B101-3	LVL - 16	14'-9 1/2"	MAA	1019	5A, FIELD INSTALL
B102	BEAM STEEL - W12X40	22'-3 1/2"	ELA, ELC, ELL, MAV	1057, 1133	
B107-2	LVL - 14	17'-4"	MAV	1050, 1051	2A, FIELD INSTALL

STEEL COLUMN SCHEDULE					
IDENTIFIER	STYLE	HEIGHT	OPTIONS	ENG. NUM.	REMARKS
C101	STANCHION - 3 IN SCHED 40	9'-0 11/16"	FBA	1057, 1133, 1128	
C102	STANCHION - 3 IN SCHED 40	9'-0 11/16"	FBA	1057, 1133, 1128	

LEGEND	
	BEARING WALL
	NON BEARING WALL
	INDICATES BEARING FROM POINT-LOAD ABOVE
	JACKS
	BEAM/HEADER
	PAD FOOTING
	STEEL COLUMN
	PORTAL FRAME
	JOIST/TRUSS
	LVL
	ENGINEERING PAGE NUMBER
SEE FC DETAILS FOR FRAMING CONNECTORS	

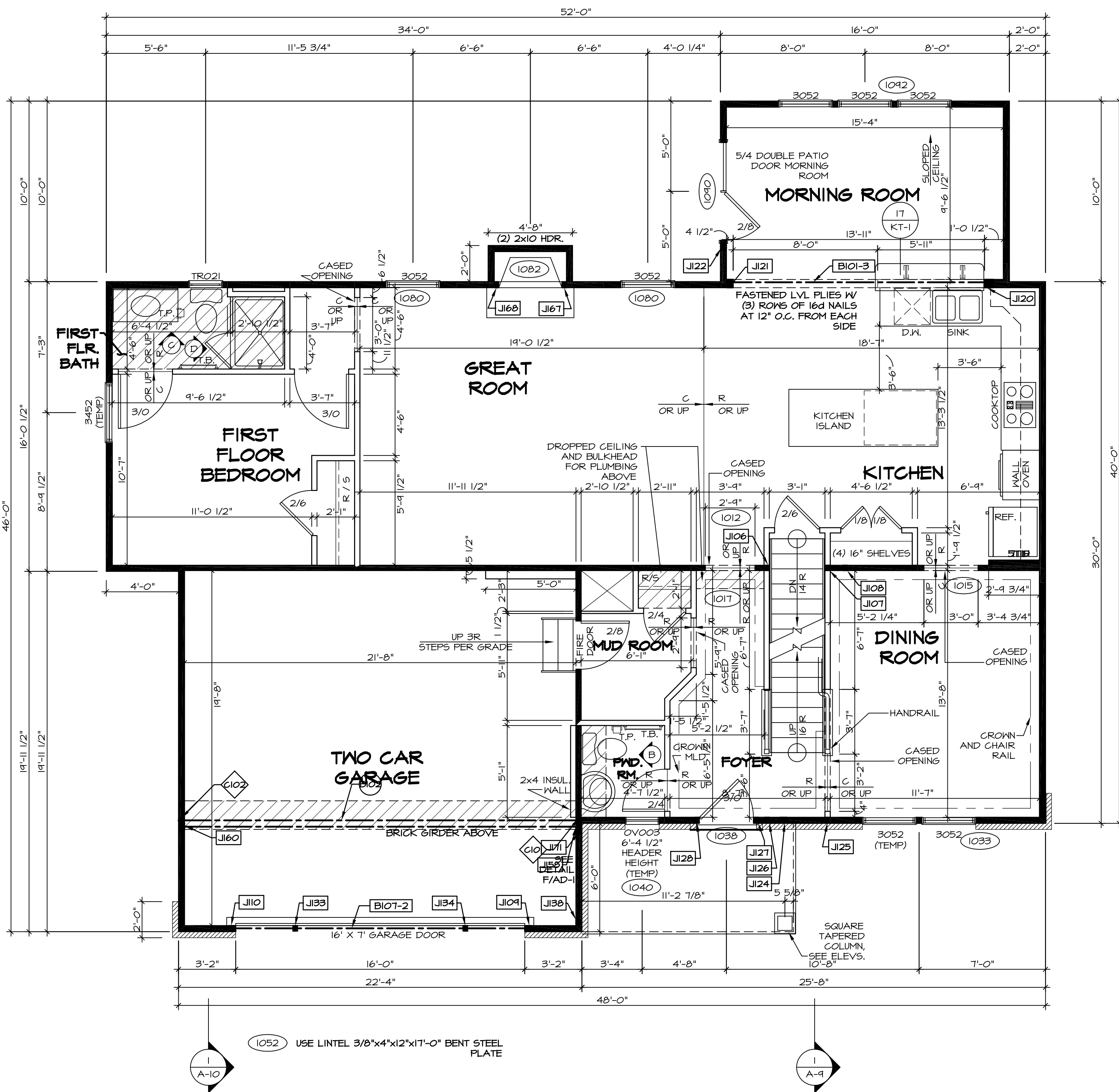
**FLOOR PLAN NOTES**

- ALL HEADERS ARE (2) 2x6 W/ 2x4 WALLS OR (3) 2x6 W/ 2x6 WALLS, UNLESS OTHERWISE NOTED.
- ALL HEADERS TO HAVE (1) 2x4 OR 2x6 JACK EACH END, UNLESS OTHERWISE NOTED.
- ALL EXTERIOR WALLS TO BE 4" AND ALL INTERIOR WALLS TO BE 3 1/2", UNLESS OTHERWISE NOTED.
- HATCHED AREAS INDICATE DROPPED CEILINGS. ALL DROPPED CEILINGS ARE 12" UNLESS OTHERWISE NOTED.
- SEE "BRACED WALL PANEL DETAIL SHEET" FOR SPECIAL WALL FRAMING LOCATIONS AND HEADER SIZES, IF APPLICABLE.
- SEE STANDARD DETAIL CATEGORY "11" SHEET(S) FOR INTERIOR TRIM DETAILS.
- SEE ARCHITECTURAL DETAIL SHEET "AD" FOR HOUSE SPECIFIC INTERIOR TRIM OPTION TABLE.
- ALL WINDOWS HAVE 7'-0 1/2" HEADER HEIGHT UNLESS OTHERWISE NOTED.
- ALL CASED OPENINGS AT 7'-11", UNLESS OTHERWISE NOTED.

**GYPSON NOTES**

**AT GARAGE:**  
 GYPSUM BOARD AT COMMON WALLS, CEILING, BEAM WRAPS AND SUPPORTS PER STANDARD DETAIL FA-10b) FIRE ASSEMBLIES OR AS REQUIRED BY LOCAL CODE.

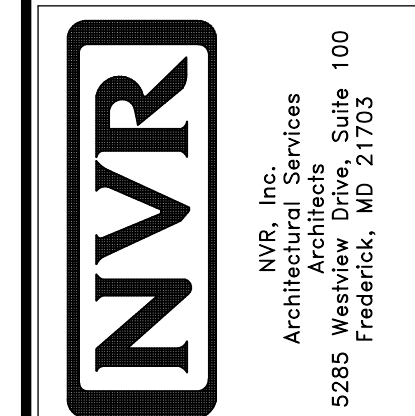
**AT STAIRS:**  
 1/2" GYPSUM BOARD AT UNDERSIDE OF STAIRS AND WALLS IN CLOSET



**FIRST FLOOR PLAN**  
 SCALE: 1/4" = 1'-0"

REV. NO.	DATE	REMARKS
1	08/04/16	TH - DRAWING ALIGNMENT
2	07/27/17	SLS - F-PLY CONVERSION PROJECT

NVR, Inc., owner, expressly reserves its copyright in the computer-generated plans. These plans are not to be reproduced, changed, copied, or otherwise used in any way without the written consent of NVR, Inc.

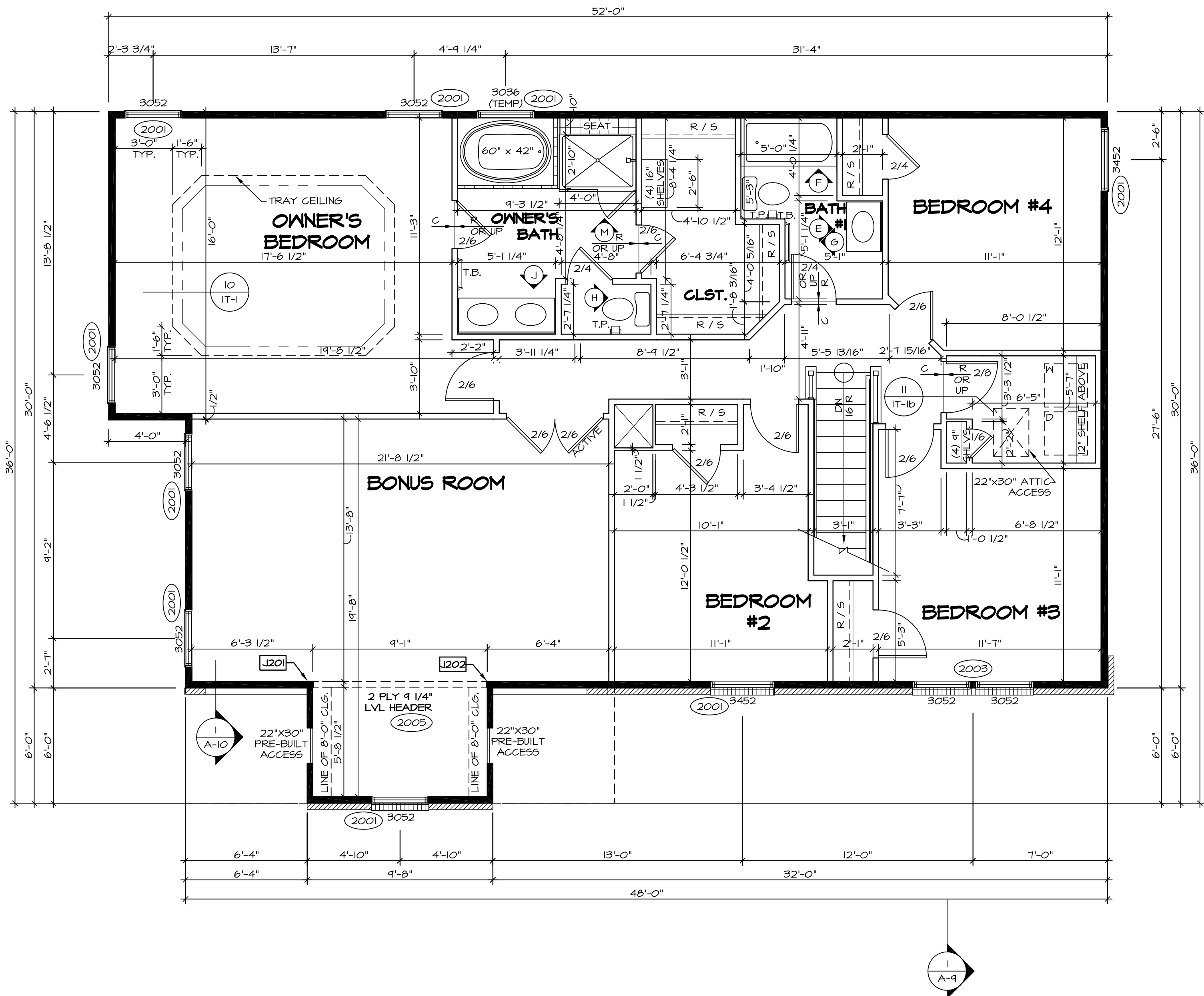


SHEET NO.	MODEL	VERSION	DRAWN BY	DATE:	OPTION
A-7	PALEROO	03			
	DRAWING TITLE: FIRST FLOOR PLAN				
	OPTION DESCRIPTION				
53					

SECOND FLOOR JACK SCHEDULE				
IDENTIFIER	DESCRIPTION	OPTIONS	ENG. NUM.	REMARKS
J201	JACK - (2) 2X4 SFF STUD GRADE	MAV	2005	
J202	JACK - (2) 2X4 SFF STUD GRADE	MAV	2005	

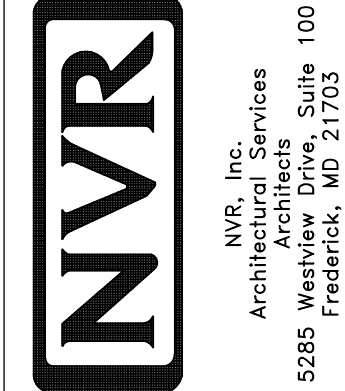
LEGEND	
	BEARING WALL
	NON BEARING WALL
	INDICATES BEARING FROM POINT-LOAD ABOVE
	JACKS
	BEAM/HEADER
	PAD FOOTING
	STEEL COLUMN
	PORTAL FRAME
	JOIST/TRUSS
	LVL
	ENGINEERING PAGE NUMBER

- FLOOR PLAN NOTES**
- ALL HEADERS ARE (2) 2x6 w/ 2x4 WALLS OR (3) 2x6 w/ 2x6 WALLS, UNLESS OTHERWISE NOTED.
  - ALL HEADERS TO HAVE (1) 2x4 OR 2x6 JACK EACH END, UNLESS OTHERWISE NOTED.
  - ALL EXTERIOR WALLS TO BE 4" AND ALL INTERIOR WALLS TO BE 3 1/2", UNLESS OTHERWISE NOTED.
  - HATCHED AREAS INDICATE DROPPED CEILINGS. ALL DROPPED CEILINGS ARE 12" UNLESS OTHERWISE NOTED.
  - SEE "BRACED WALL PANEL DETAIL SHEET" FOR SPECIAL WALL FRAMING LOCATIONS AND HEADER SIZES, IF APPLICABLE.
  - SEE STANDARD DETAIL CATEGORY "IT" SHEET(S) FOR INTERIOR TRIM DETAILS.
  - SEE ARCHITECTURAL DETAIL SHEET "AD" FOR HOUSE SPECIFIC INTERIOR TRIM OPTION TABLE.
  - ALL WINDOWS HAVE 1'-0 1/2" HEADER HEIGHT UNLESS OTHERWISE NOTED.
  - ALL CASED OPENINGS AT 1'-11", UNLESS OTHERWISE NOTED.



**SECOND FLOOR PLAN**  
SCALE: 1/4" = 1'-0"

SHEET NO.	MODEL	SET NO.	DATE	REV. NO.	DATE	REMARKS
A-8	PALERMO	03	08/04/16	1	08/04/16	TH - DRAWING ALIGNMENT
60	SECOND FLOOR PLAN		07/27/17	2	07/27/17	SLS - T-PLY CONVERSION PROJECT

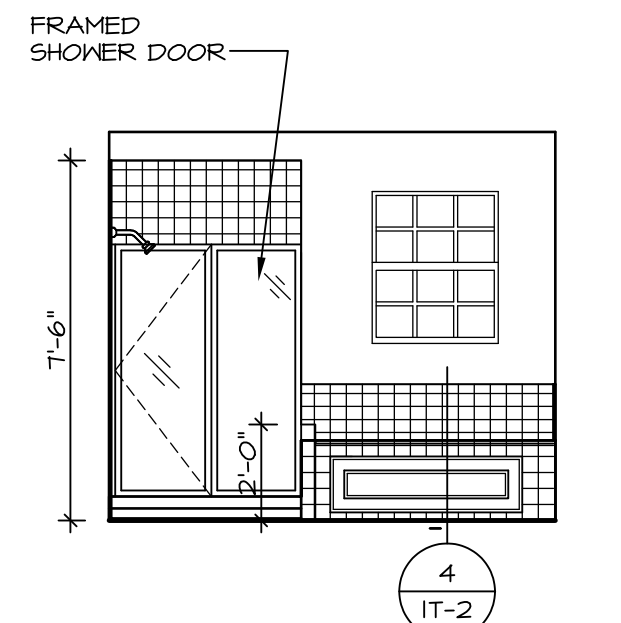


SET NO. PALOO  
VERSION 03  
DRAWN BY  
DATE:  
OPTION

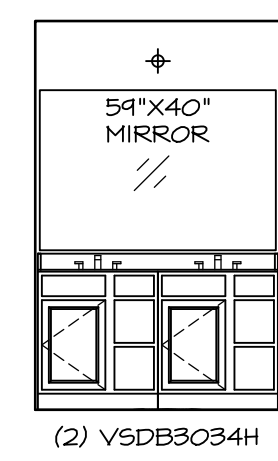
OPTION DESCRIPTION

60

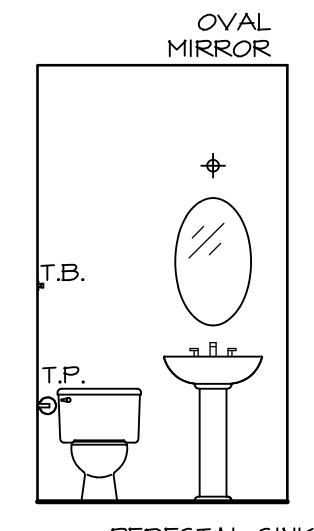




**M** OWNER'S BATH  
SCALE: 1/4" = 1'-0"



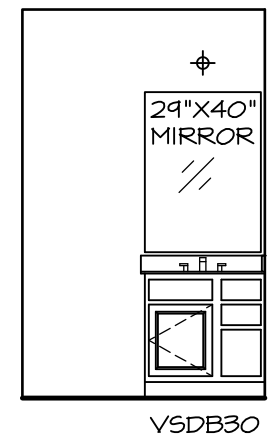
**J** OWNER'S BATH  
SCALE: 1/4" = 1'-0"



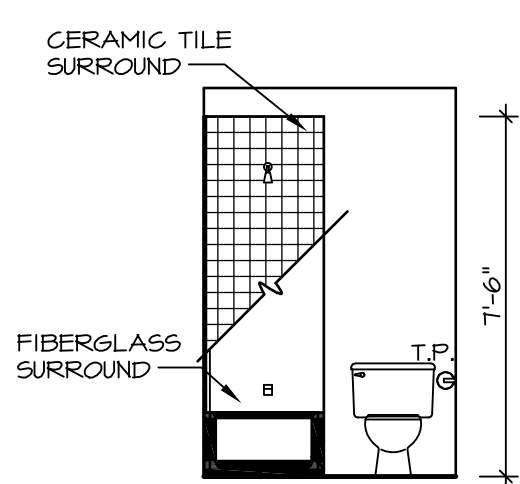
**B** POWDER ROOM  
SCALE: 1/4" = 1'-0"



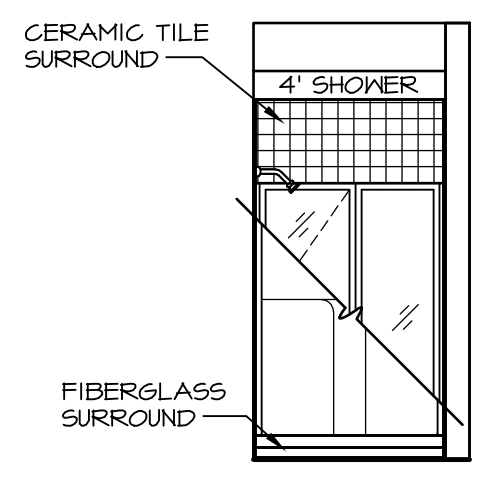
**H** OWNER'S BATH  
SCALE: 1/4" = 1'-0"



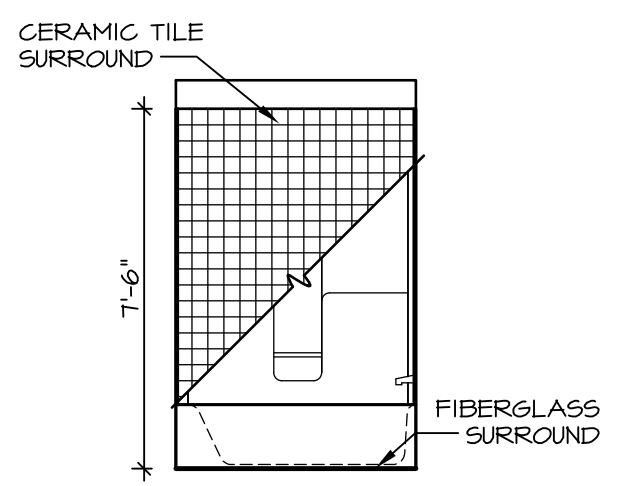
**E** BATH #1  
SCALE: 1/4" = 1'-0"



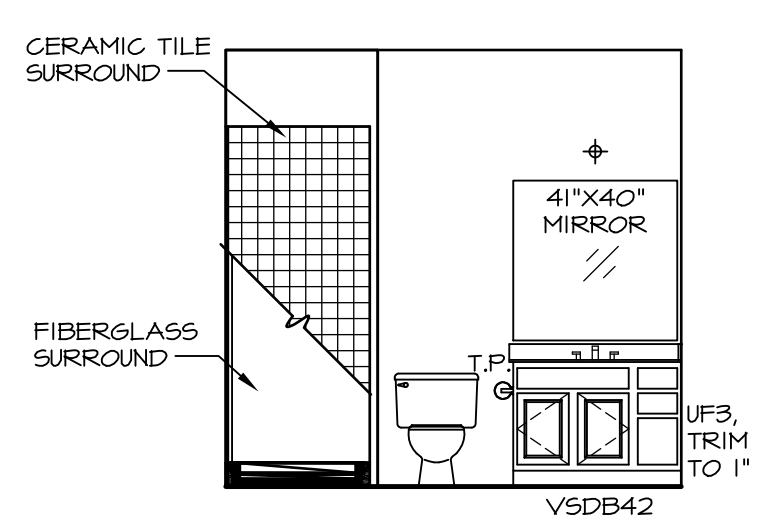
**G** BATH #1  
SCALE: 1/4" = 1'-0"



**D** FIRST FLOOR BATH  
SCALE: 1/4" = 1'-0"



**F** BATH #1  
SCALE: 1/4" = 1'-0"



**C** FIRST FLOOR BATH  
SCALE: 1/4" = 1'-0"

**NOTES:**

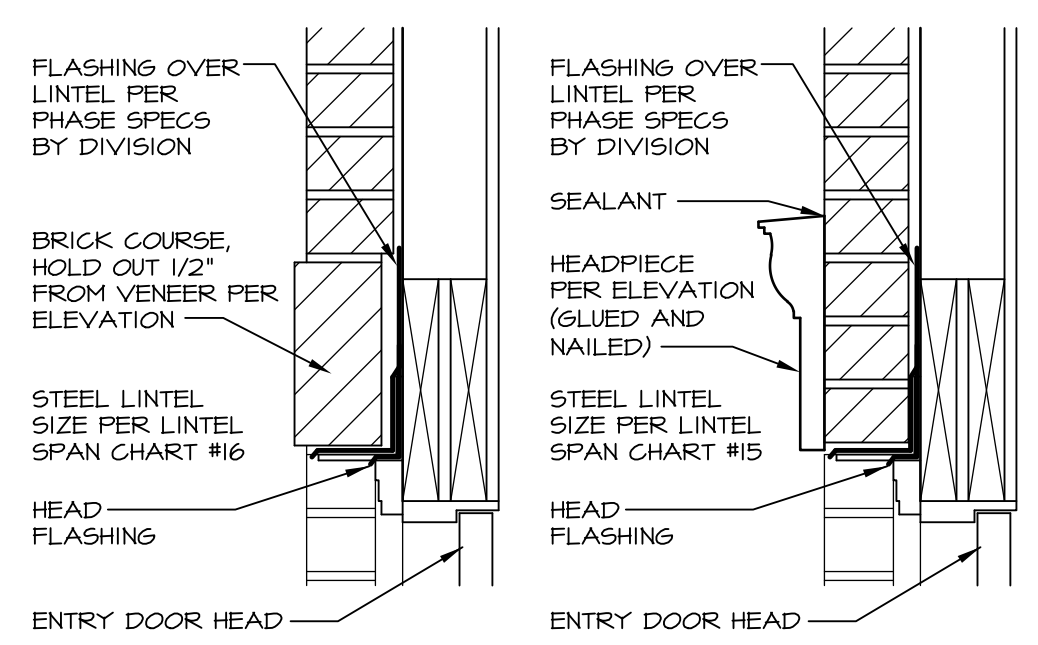
1. TEMPERED GLASS SHOWER ENCLOSURE WITH SWING DOOR OR OPTIONAL SLIDING DOOR BY DIVISION
2. TUB ACCESS PANELS PROVIDED AS NEEDED, ALL MATERIALS BY DIVISION
3. REFER TO SHEET IT-2 FOR TUB AND SHOWER DETAILS.
4. ALL V5DB24-42 DRAWERS TO BE SET ON RIGHT HAND.
5. BATH ELEVATIONS ARE SHOWN PER PLAN.

REV. NO.	DATE	REMARKS
1	08/04/16	TM - DRAWING ALIGNMENT

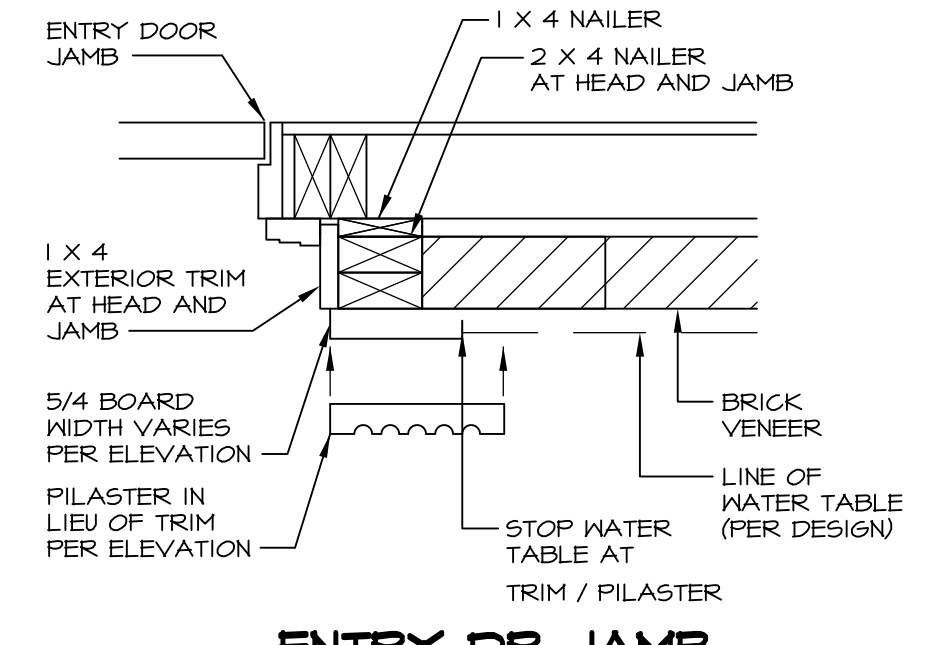
NVR, Inc., owner, expressly reserves its copyright in these plans. These plans are not to be reproduced, changed, copied, or otherwise used in any way without the written consent of NVR, Inc.

**NVR**  
NVR, Inc.  
Architectural Services  
Architects  
5285 Westover Hills  
Frederick, MD 21703

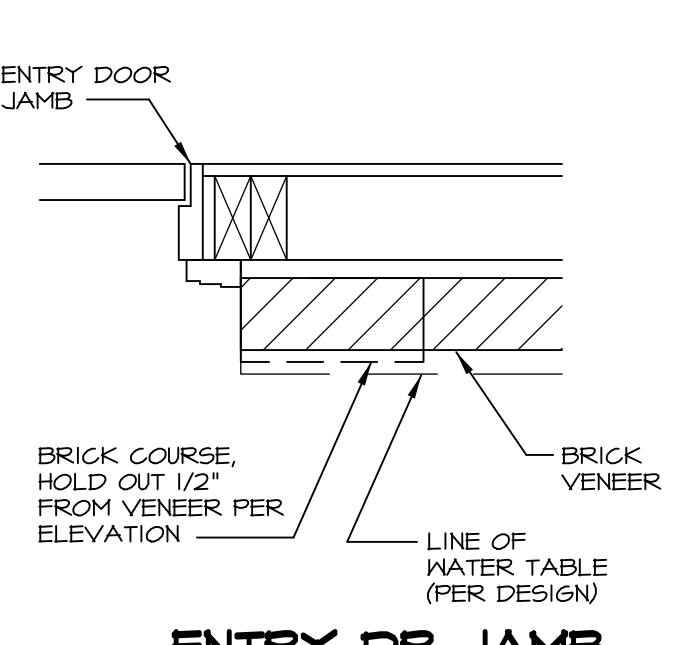
SHEET NO. <b>A-13</b>	MODEL <b>PALERMO</b>	SET NO. PALOO	VERSION 03
DRAWING TITLE <b>BATH ELEVATIONS</b>	DRAWN BY	DATE:	OPTION
OPTION DESCRIPTION			
72			



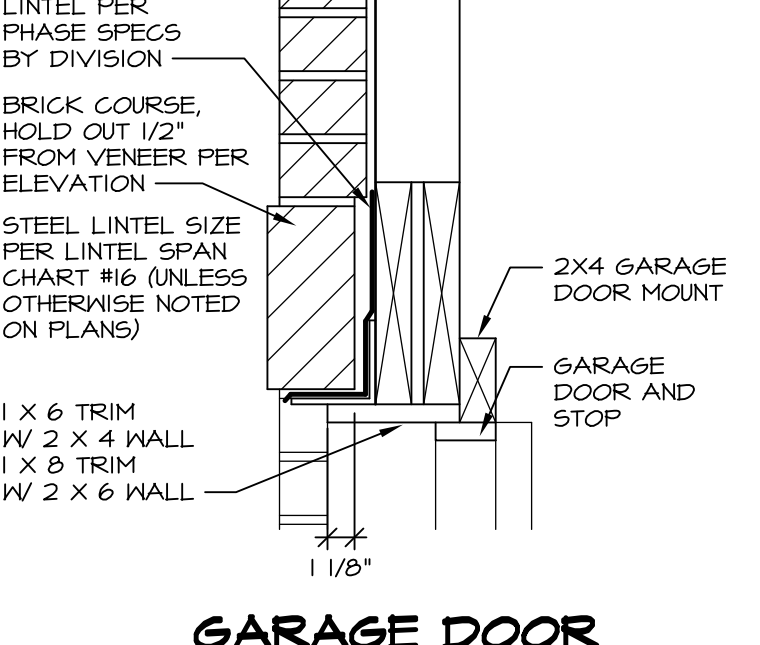
**1 ENTRY DR. HEAD W/ BRK.**  
DR-2 SCALE: 1-1/2" = 1'-0"



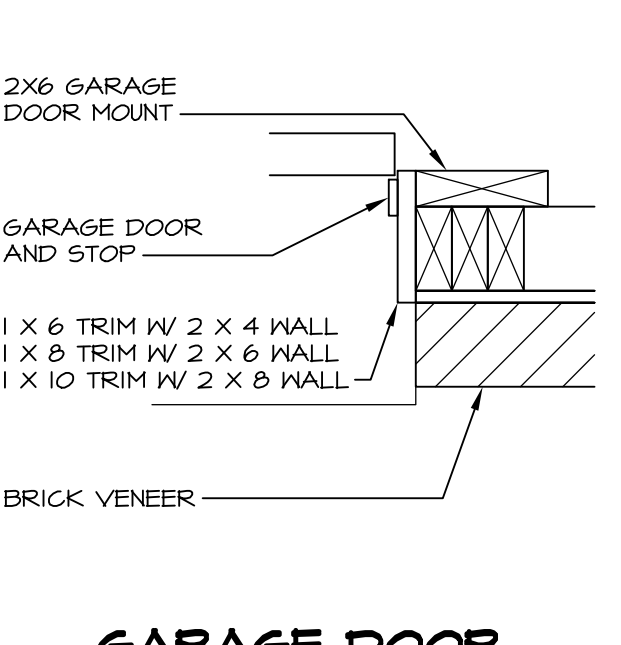
**2 ENTRY DR JAMB WITH BRICK**  
DR-2 SCALE: 1-1/2" = 1'-0"



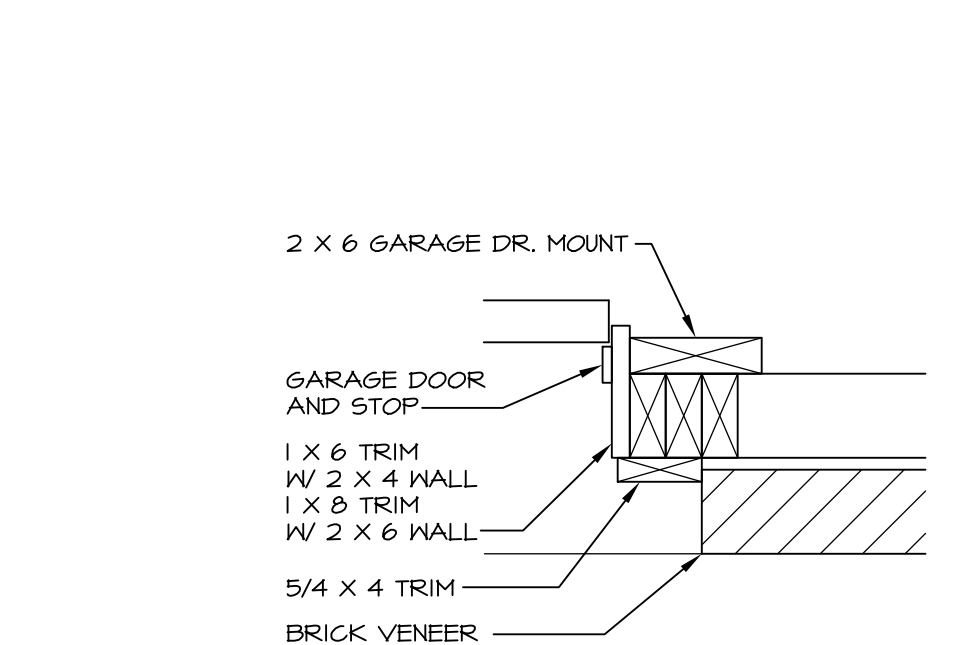
**3 ENTRY DR JAMB WITH BRICK**  
DR-2 SCALE: 1-1/2" = 1'-0"



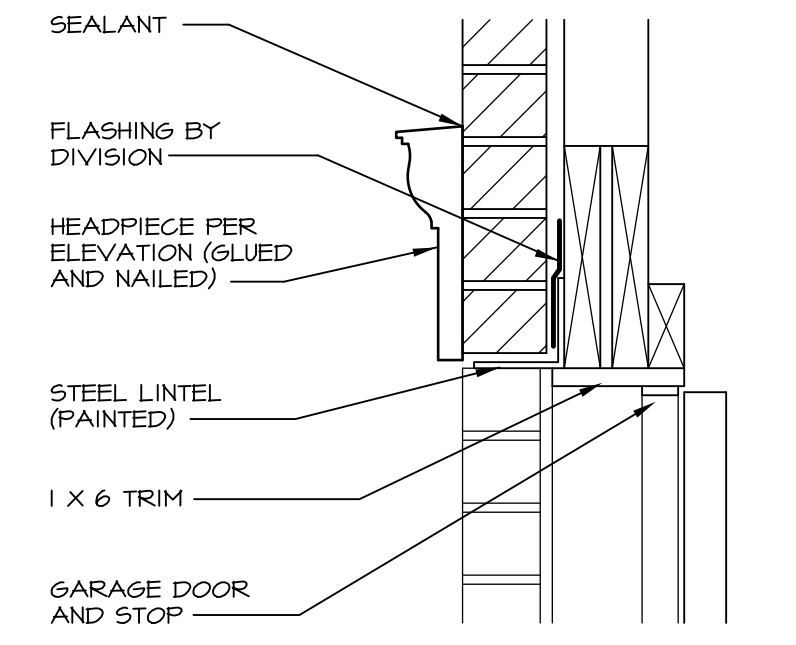
**4 GARAGE DOOR HEAD W/ BRICK**  
DR-2 SCALE: 1-1/2" = 1'-0"



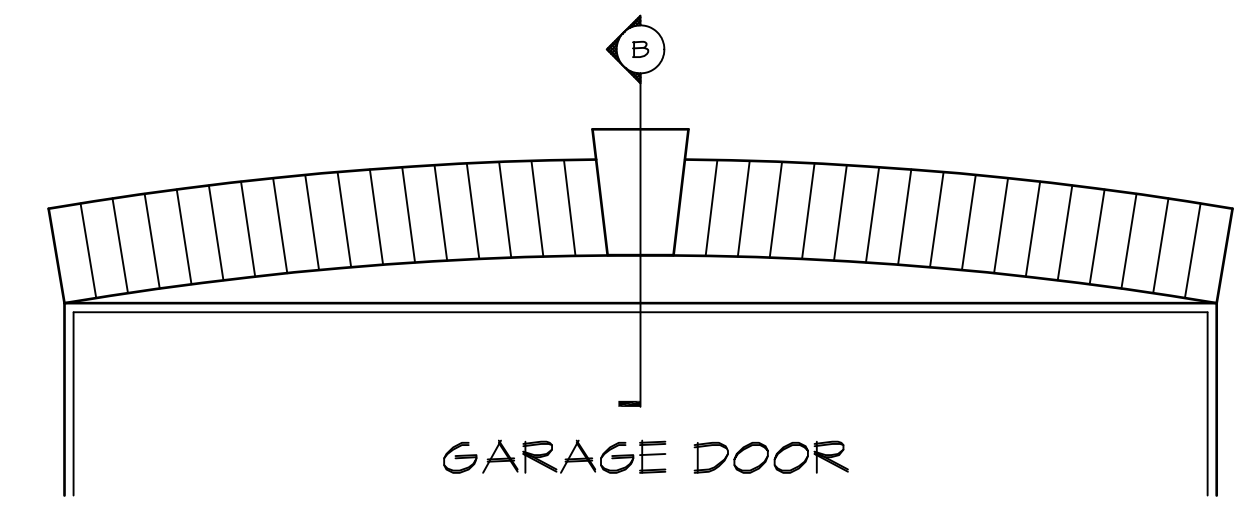
**5 GARAGE DOOR JAMB W/ BRICK**  
DR-2 SCALE: 1-1/2" = 1'-0"



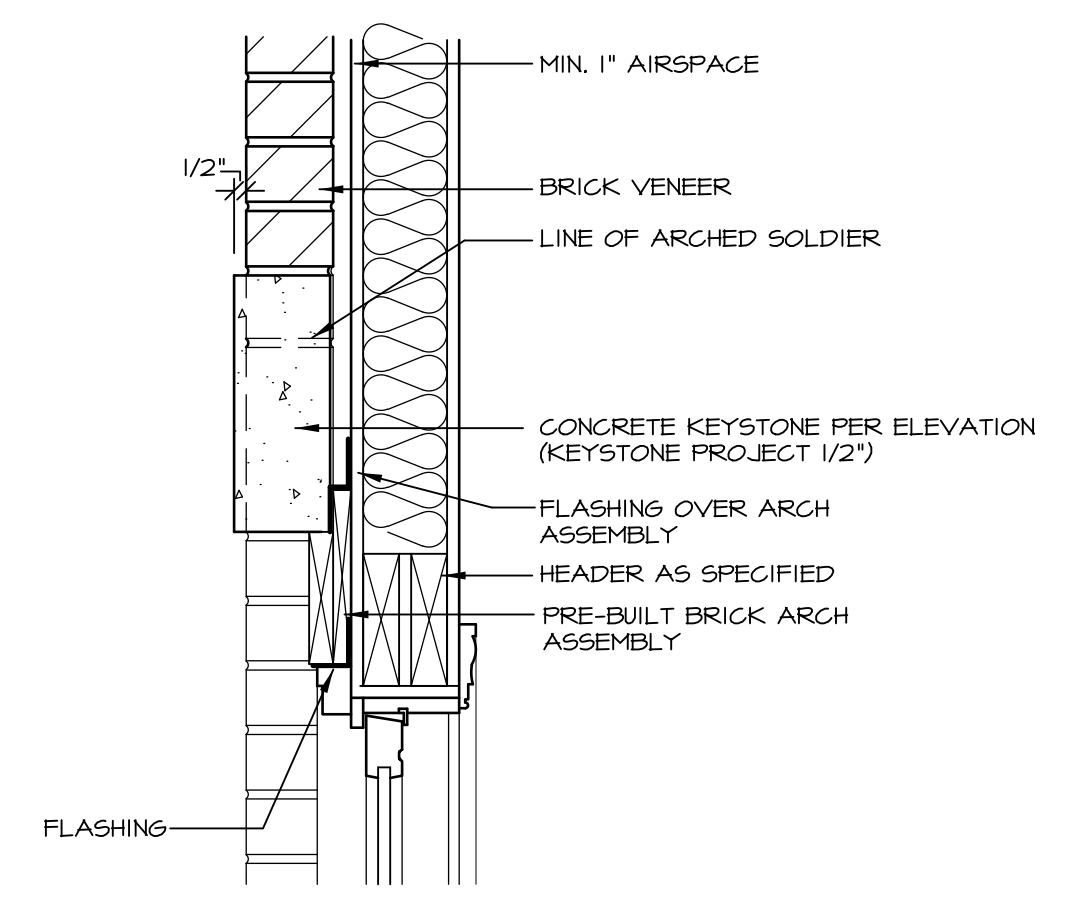
**6 GARAGE DR. JAMB WITH BRICK**  
DR-2 1-1/2" = 1'-0"



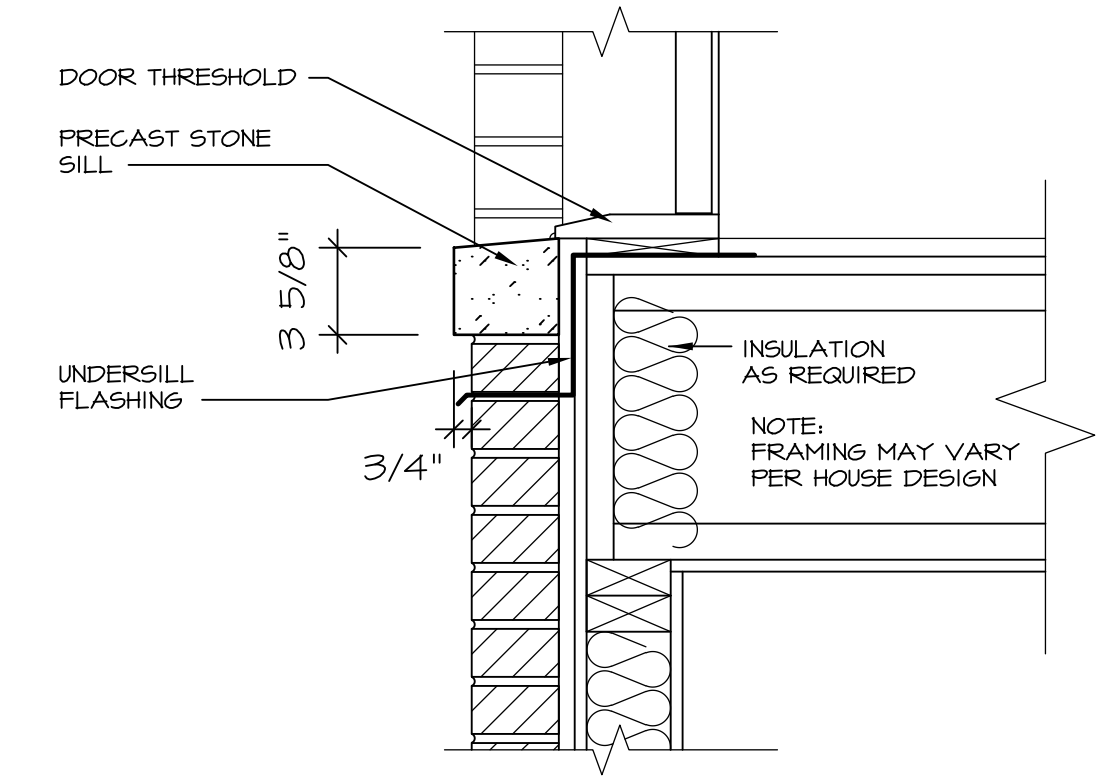
**7 GARAGE DR. HEAD WITH BRICK**  
DR-2 1-1/2" = 1'-0"



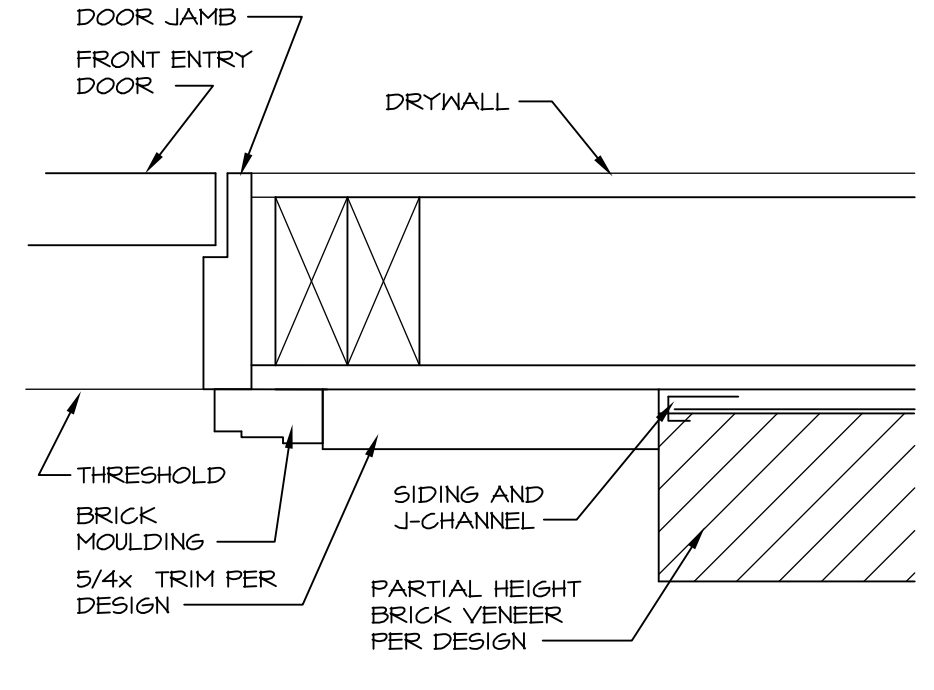
**8 ARCHED BRICK SOLDIER COURSE**  
DR-2 SCALE: 3/4" = 1'-0"



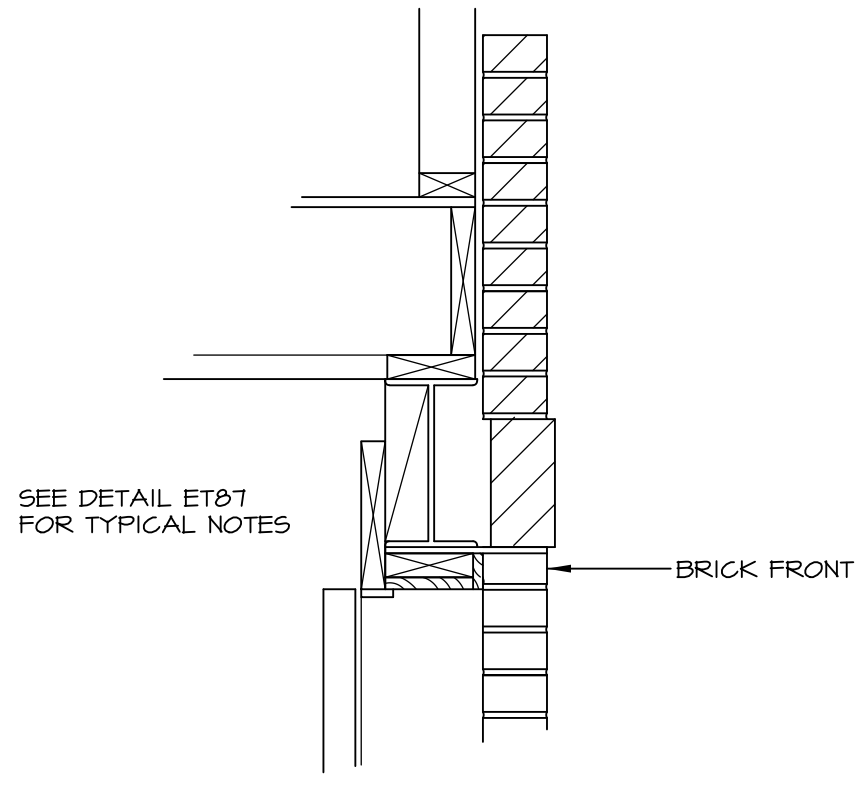
**9 SECTION**  
SCALE: 1-1/2" = 1'-0"



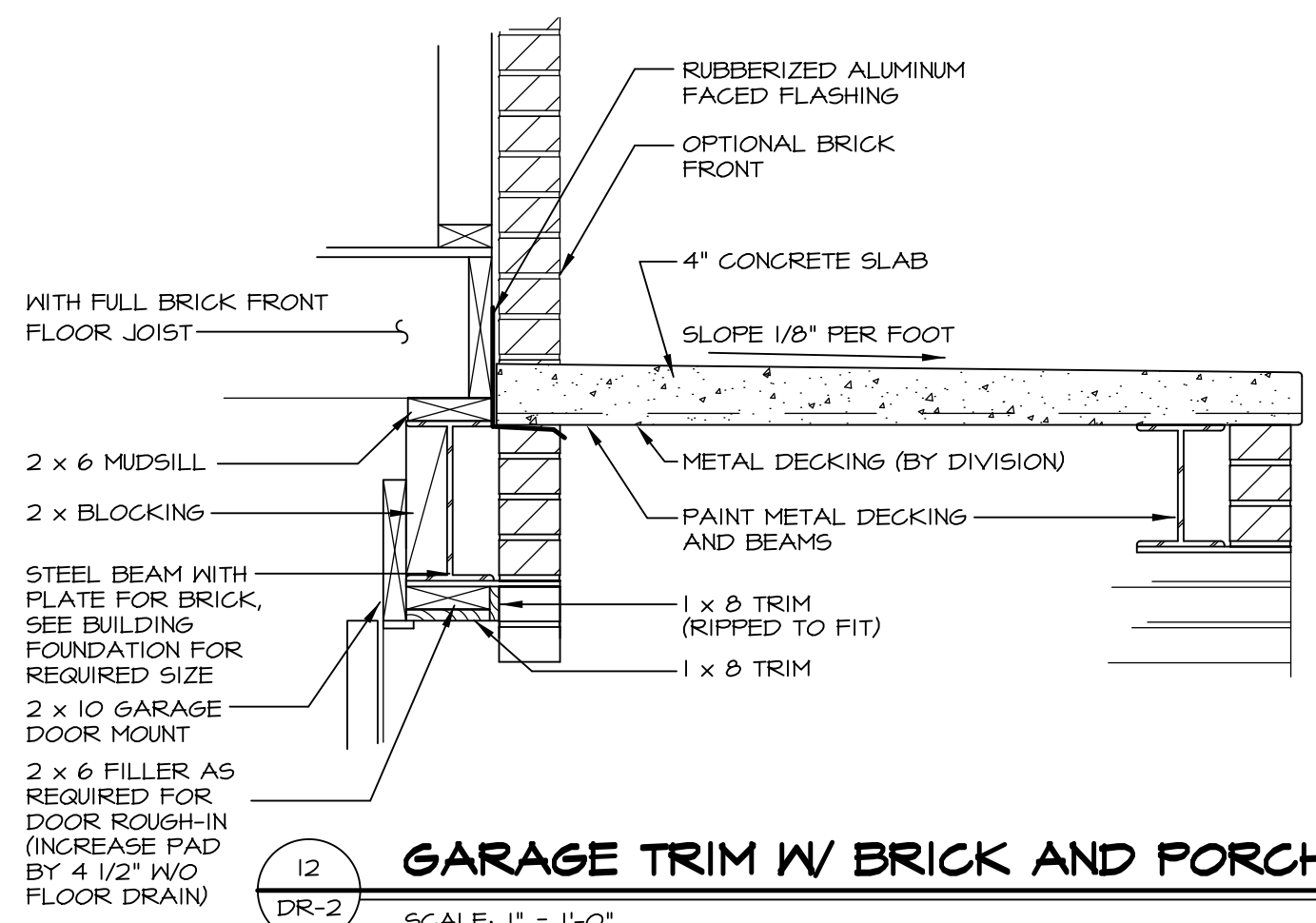
**10 PATIO DOOR WITH STONE SILL**  
DR-2 SCALE: 1 1/2" = 1'-0"



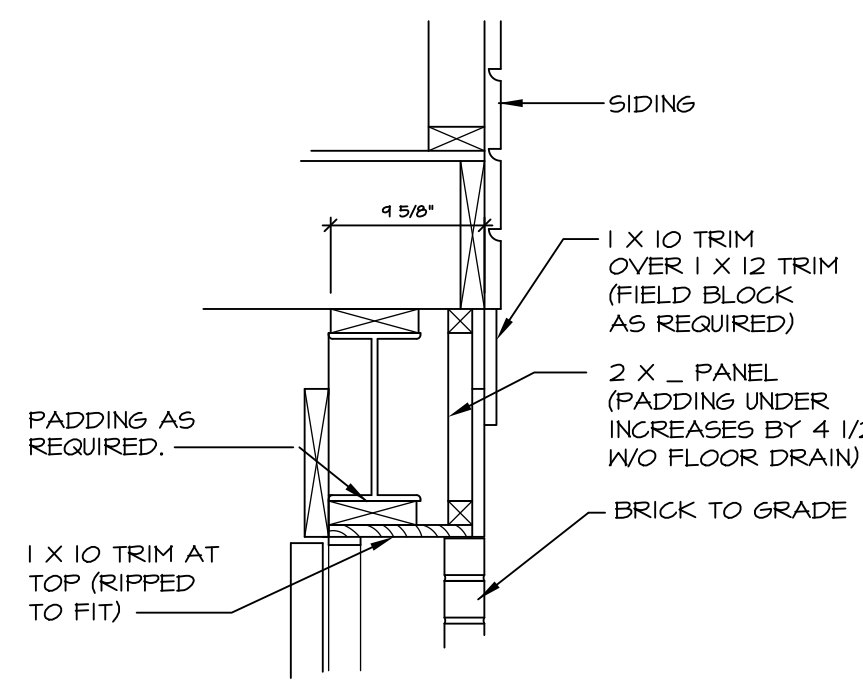
**11 ENTRY DOOR W/ PARTIAL BRICK**  
DR-2 SCALE: 1-1/2" = 1'-0"



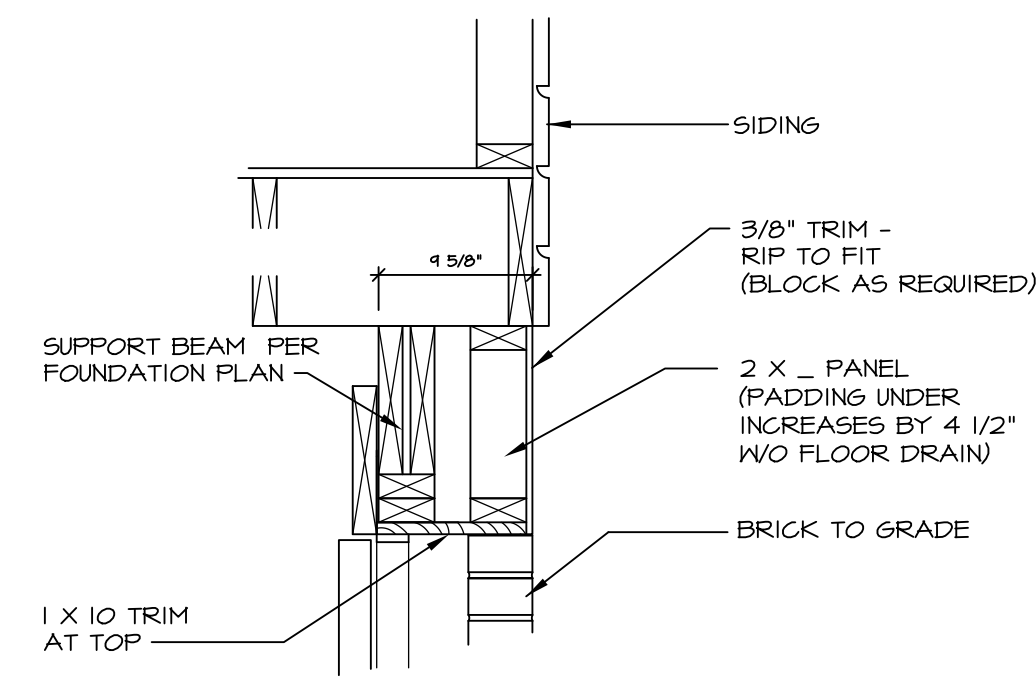
**12 GARAGE TRIM W/ BRICK FRONT**  
DR-2 SCALE: 1" = 1'-0"



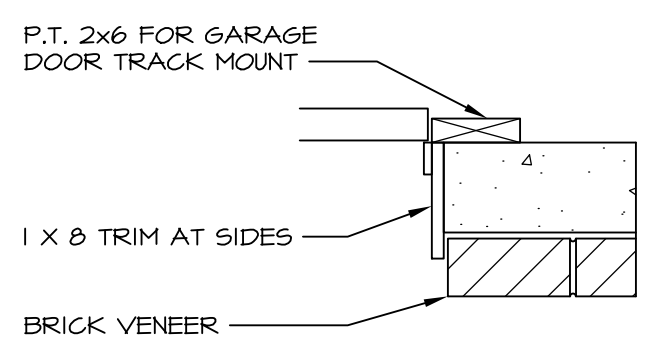
**13 GARAGE TRIM W/ BRICK AND PORCH**  
DR-2 SCALE: 1" = 1'-0"



**14 GARAGE HEAD TRIM**  
DR-2 SCALE: 1" = 1'-0"



**15 GARAGE TRIM**  
DR-2 SCALE: 1" = 1'-0"



**16 GARAGE SIDE TRIM**  
DR-2 SCALE: 1" = 1'-0"

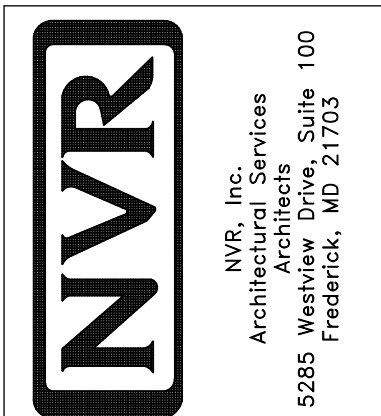
STEEL LINTELS		HEIGHT OF VENEER				BEARING
SPAN	BRICK SIZE	8"	16"	24"	32"	
6'-0" OR LESS	ENG. MODULAR	L 3 1/2" x 3 1/2" x 1/4"				6"
	QUEEN SIZE	L 4" x 3" x 1/4"				
> 6'-0" TO 8'-2"	ENG. MODULAR	L 3 1/2" x 3 1/2" x 1/4"		L 4" x 3 1/2" x 1/4"	L 5" x 3" x 1/4"	6"
	QUEEN SIZE	L 4" x 3" x 1/4"		L 5" x 3" x 1/4"	L 5" x 3" x 3/8"	
> 8'-2" TO 16'-2"	ENG. MODULAR	L 5" x 3 1/2" x 5/16"	L 6" x 3 1/2" x 5/16"	L 7" x 4" x 3/8"		6"
	QUEEN SIZE	L 5" x 3" x 3/8"	6" x 3" x 3/8" BENT PLATE	8" x 3" x 3/8" BENT PLATE	10" x 3" x 3/8" BENT PLATE	
> 16'-2" TO 18'-2"	ENG. MODULAR	L 6" x 3 1/2" x 5/16"	L 7" x 4" x 3/8"	L 8" x 4" x 1/2"		6"
	QUEEN SIZE	6" x 3" x 3/8" BENT PLATE	8" x 3" x 3/8" BENT PLATE	10" x 3" x 3/8" BENT PLATE	12" x 3" x 3/8" BENT PLATE	

**16 STEEL Lintel / BENT PLATE SCHEDULES**  
DR-2 SCALE: 1-1/2" = 1'-0"

BENT PLATE SCHEDULE	
ENG. MODULAR	QUEEN SIZE
10" x 4" x 3/8"	11" x 3" x 3/8"
11" x 4" x 3/8"	12" x 3" x 3/8"
12" x 4" x 3/8"	13" x 3" x 3/8"
13" x 4" x 3/8"	14" x 3" x 3/8"
14" x 4" x 3/8"	15" x 3" x 3/8"

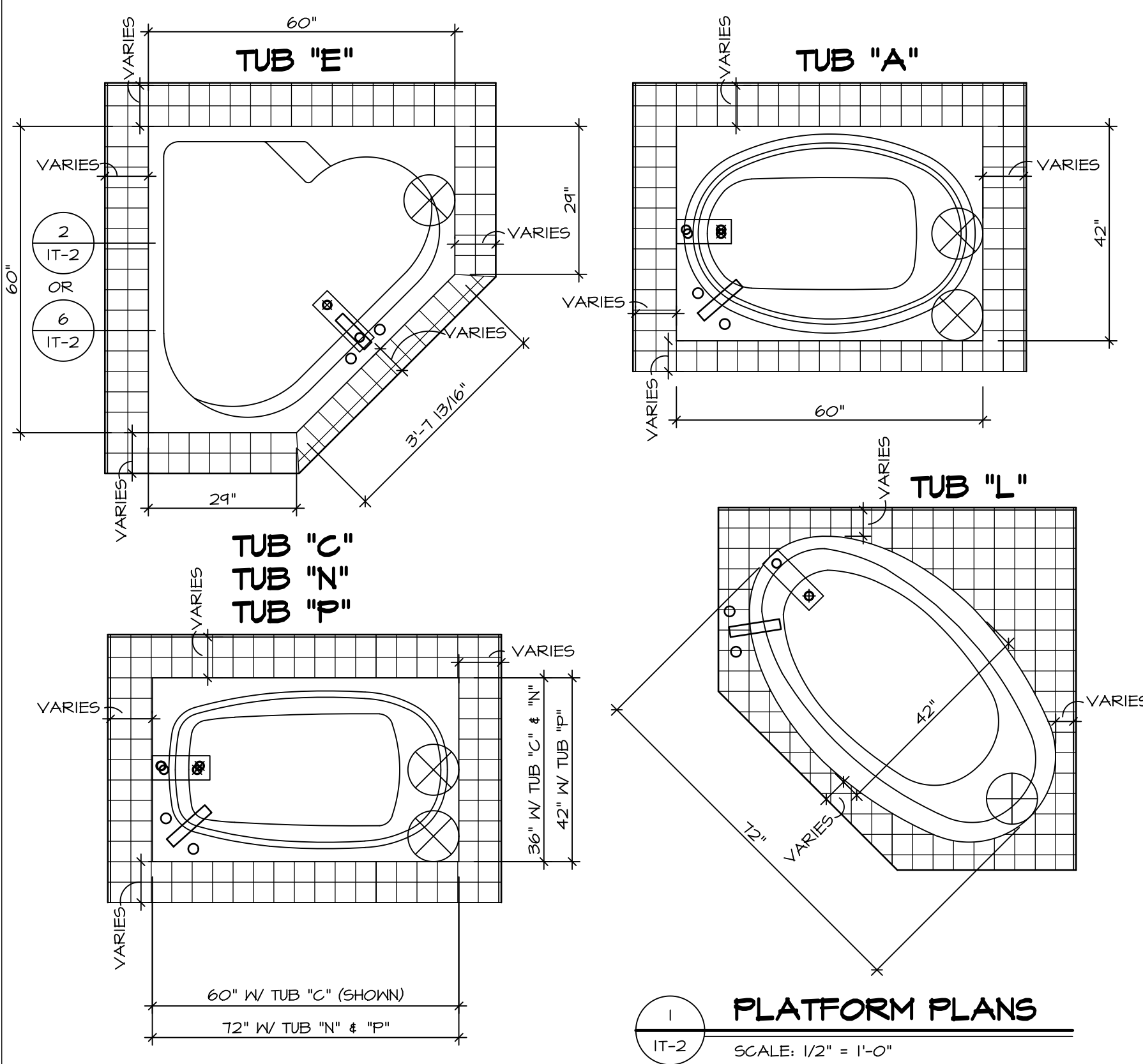
REMARKS  
3/9/11 ZDM - MOVED DETAIL 6/ET-16 TO CURRENT 16/DR-2 PER ISSUE REQUEST 3119  
3/9/11 ZDM - OBSOLETE DETAIL 6/2-2 PER REQUEST 3608

NVR, Inc., owner, expressly reserves its common law copyright and other property rights in these plans. These plans are not to be altered, reproduced, or otherwise used in any way without the prior written consent of NVR, Inc.



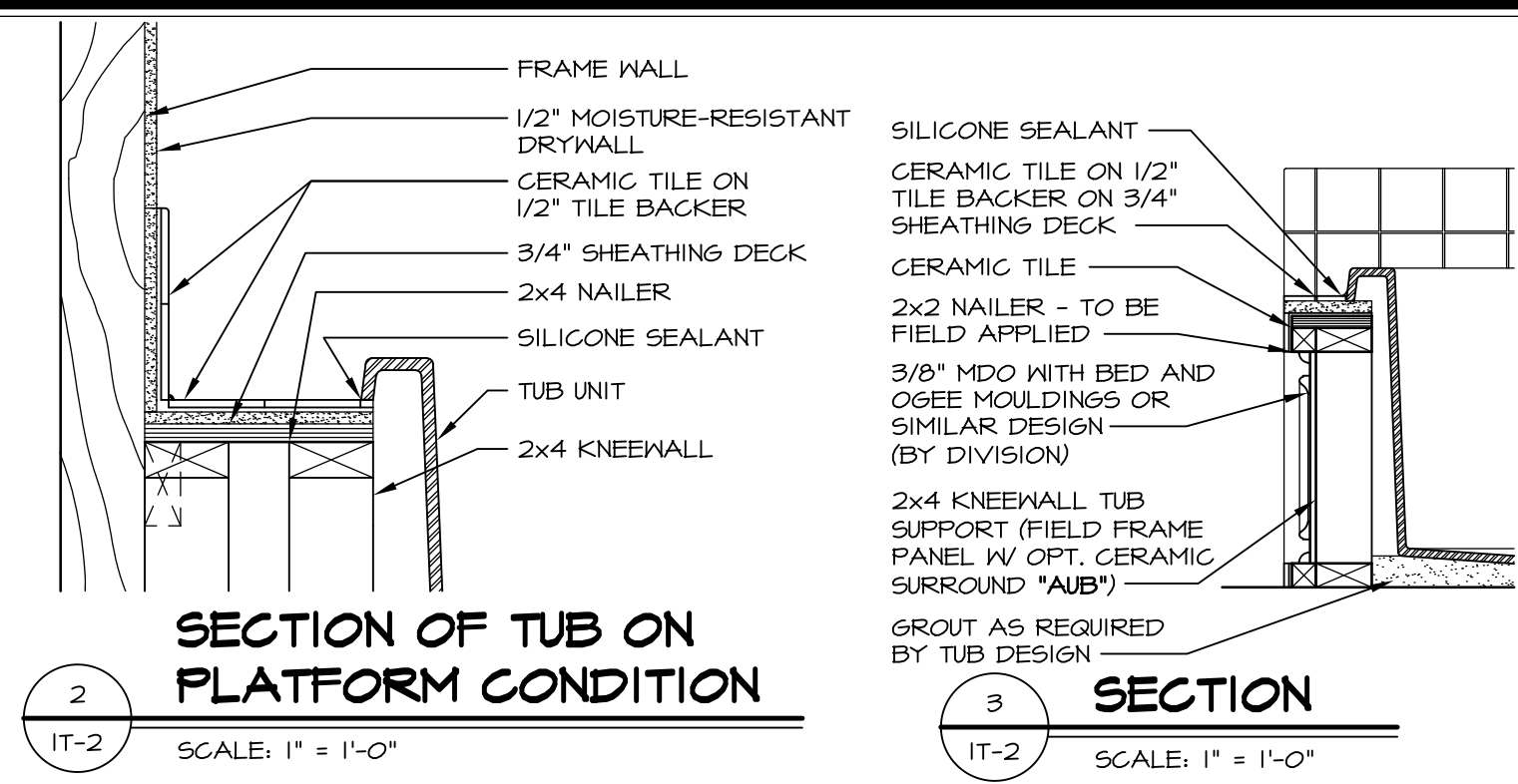
SET NO. NVR  
VERSION  
DRAWN BY  
DATE:  
OPTION

MODEL  
**STANDARD DETAILS**  
DRAWING TITLE  
**DR-2**  
DOOR DETAILS  
BRICK VENEER  
OPTION DESCRIPTION

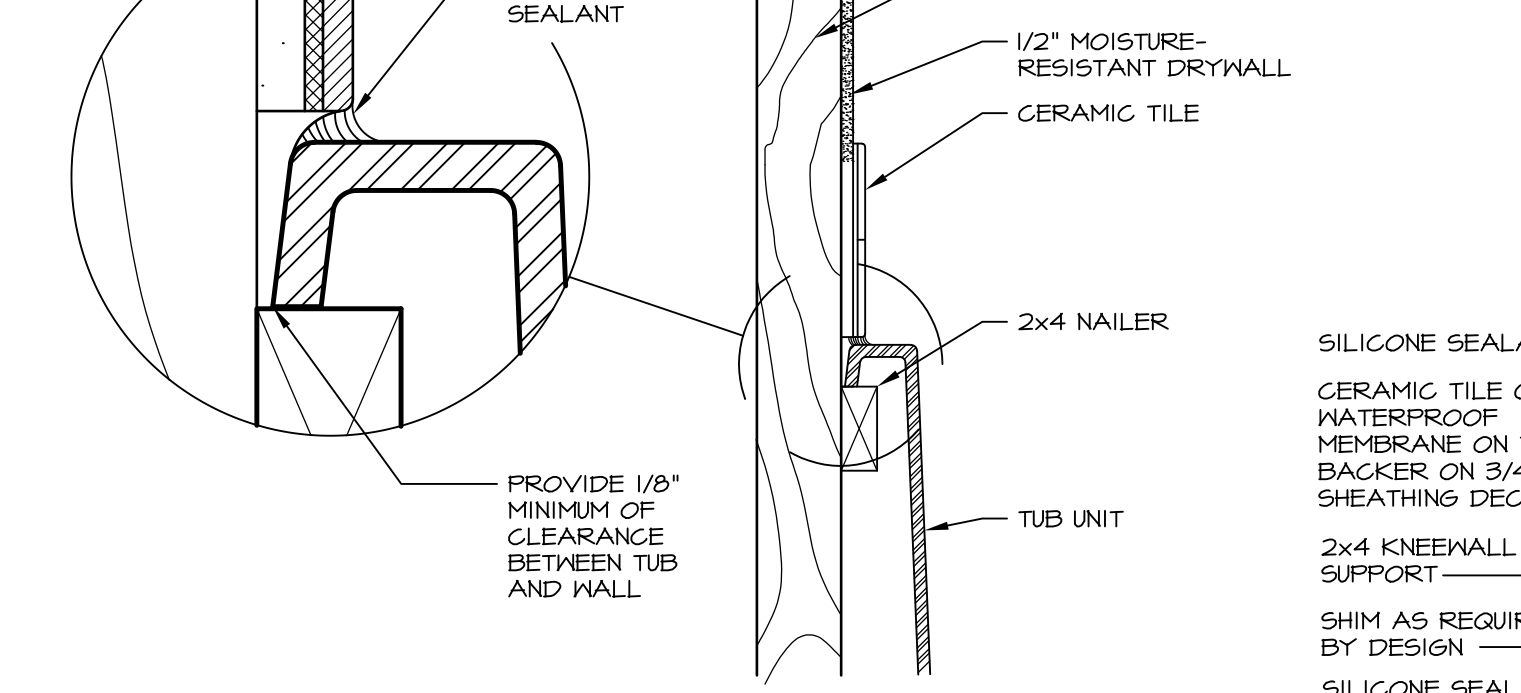


1 PLATFORM PLANS  
SCALE: 1/2" = 1'-0"

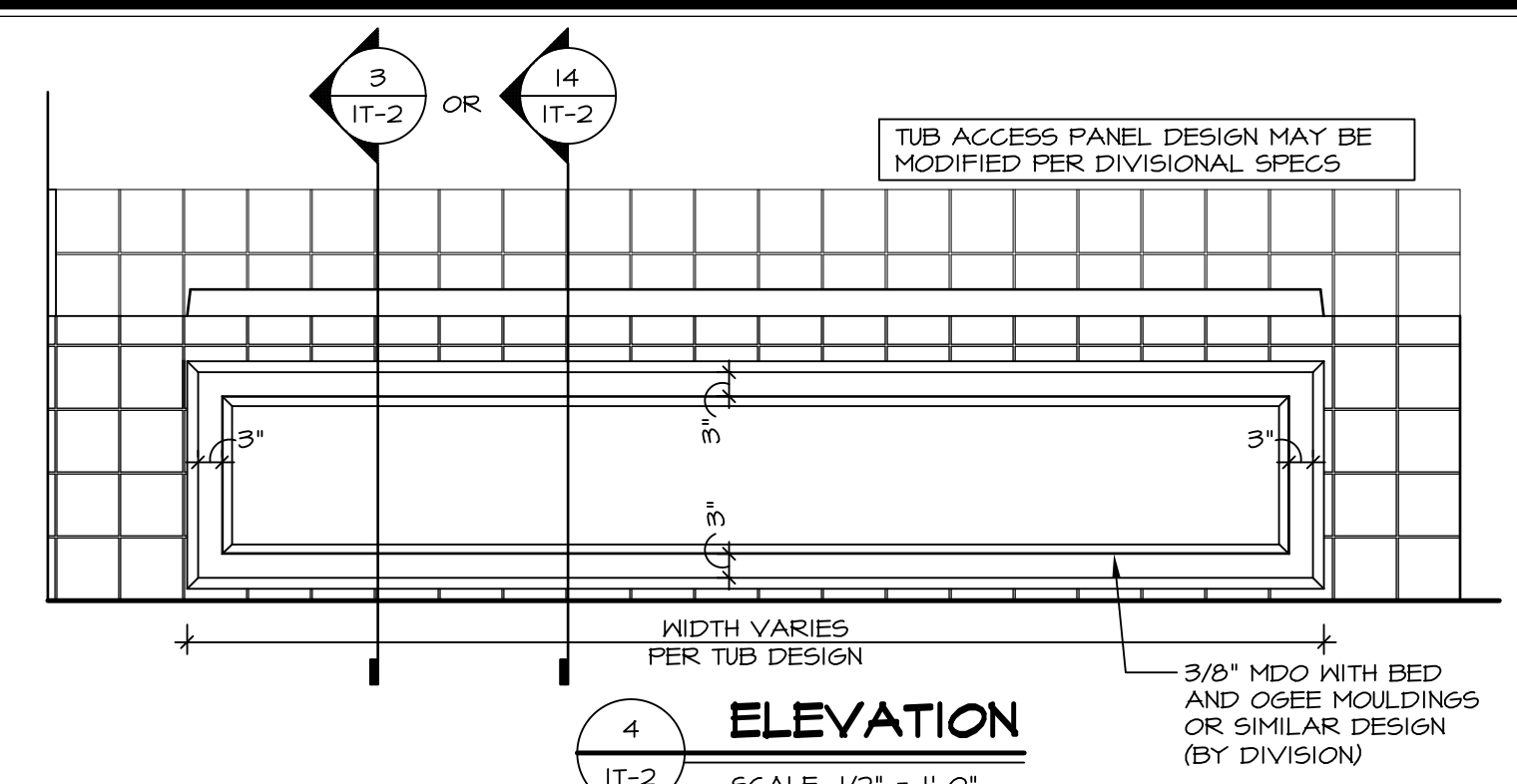
TUB	MANUF.	HEIGHT	WIDTH	LENGTH	TUB DECK PANEL HEIGHT
"A"	KOHLER/STERLING	18 3/4"	42"	60"	17 1/8"
"C"	KOHLER/STERLING	18 3/4"	36"	60"	17 1/8"
"E"	KOHLER/STERLING	19 1/2"	60"	60"	17 7/8"
"L"	KOHLER/STERLING	18 1/2"	42"	72"	16 7/8"
"N"	KOHLER/STERLING	18 3/4"	36"	72"	17 1/8"
"P"	KOHLER/STERLING	18 3/4"	42"	72"	17 1/8"



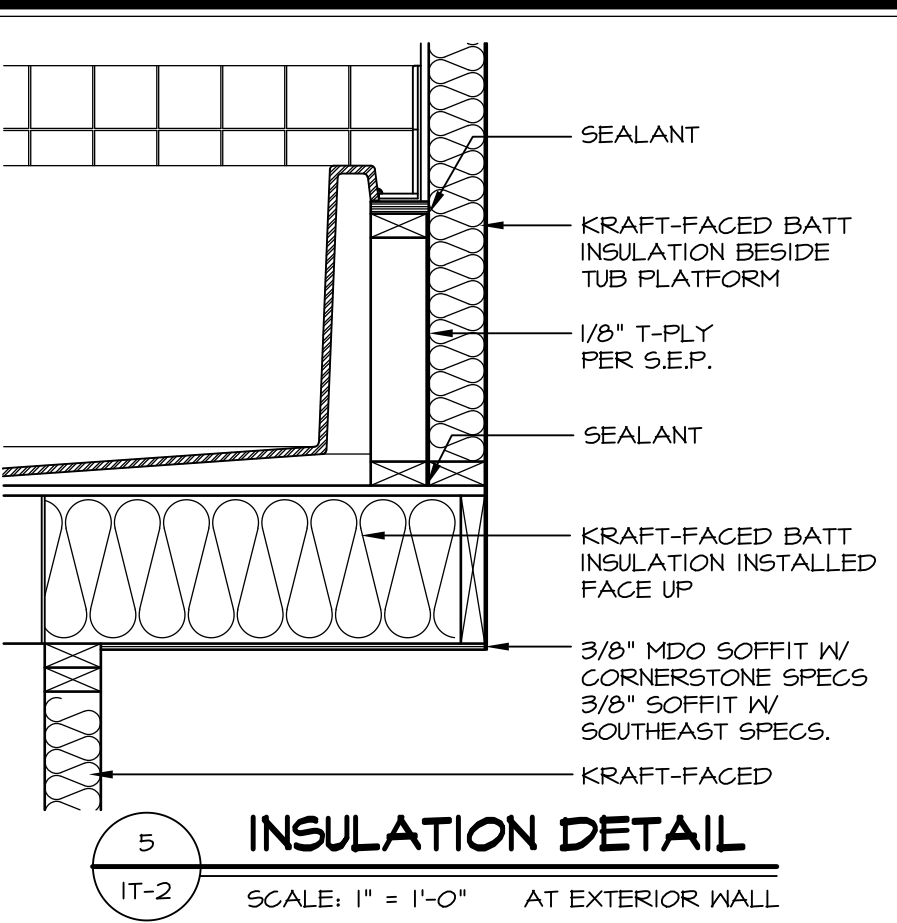
2 SECTION OF TUB ON PLATFORM CONDITION  
SCALE: 1" = 1'-0"



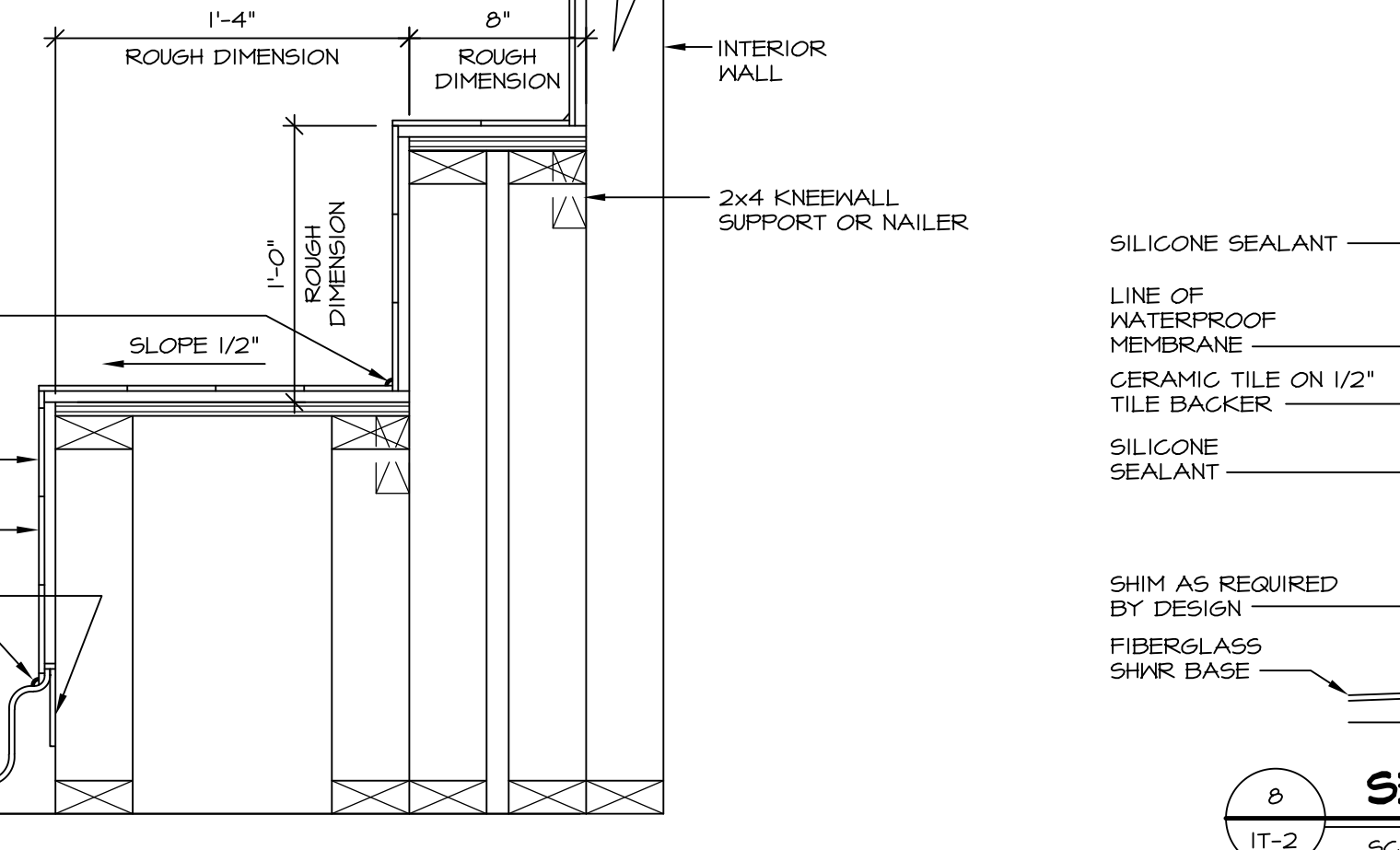
3 SECTION OF TUB TO WALL CONDITION  
SCALE: 1" = 1'-0"



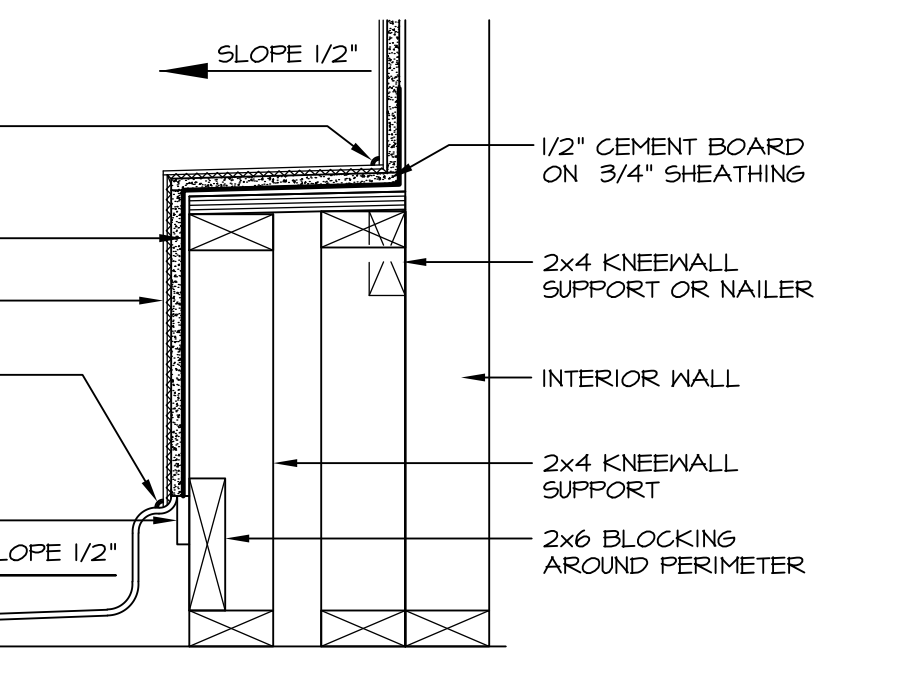
4 ELEVATION  
SCALE: 1/2" = 1'-0"



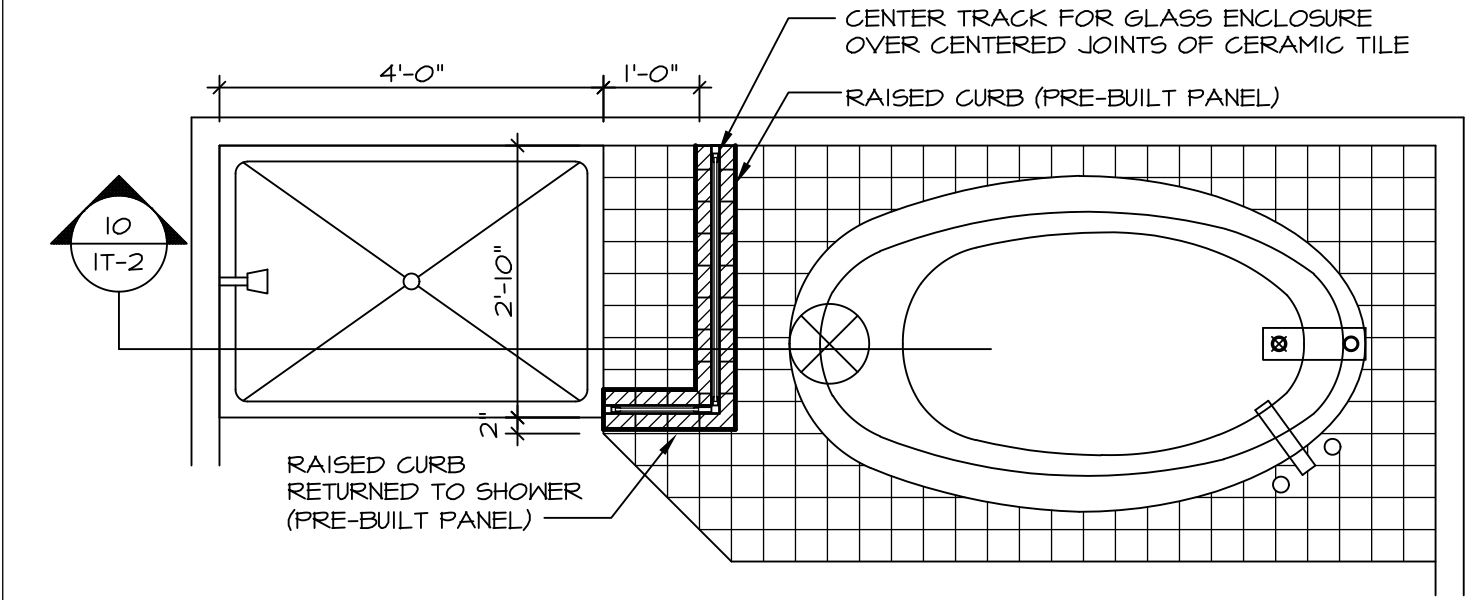
5 INSULATION DETAIL  
SCALE: 1" = 1'-0" AT EXTERIOR WALL



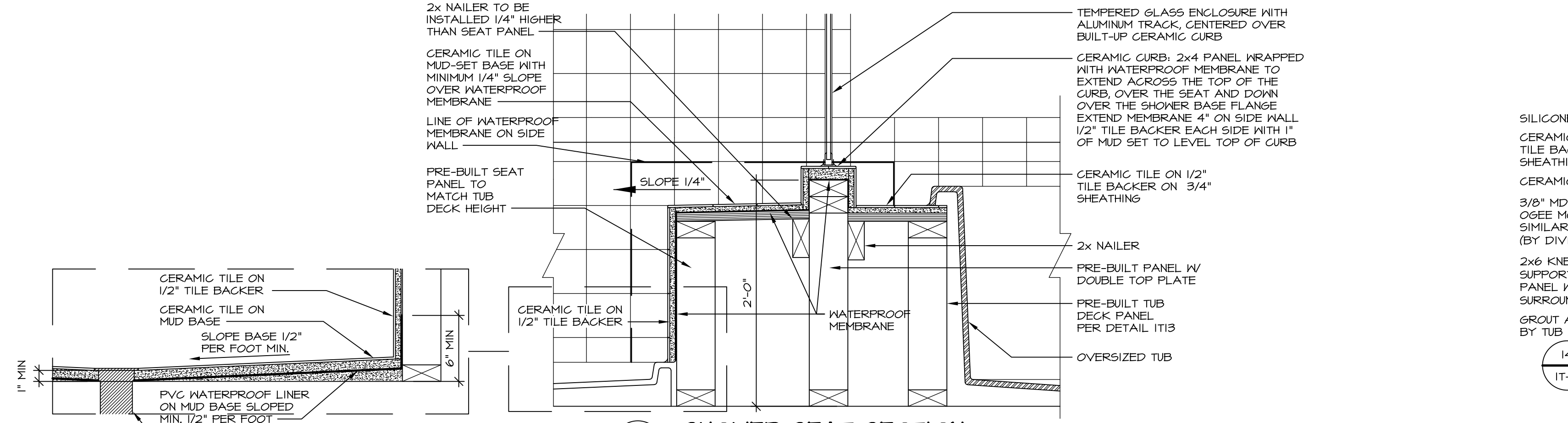
6 SECTION OF SHOWER SEAT AND SHELF  
SCALE: 1/2" = 1'-0"



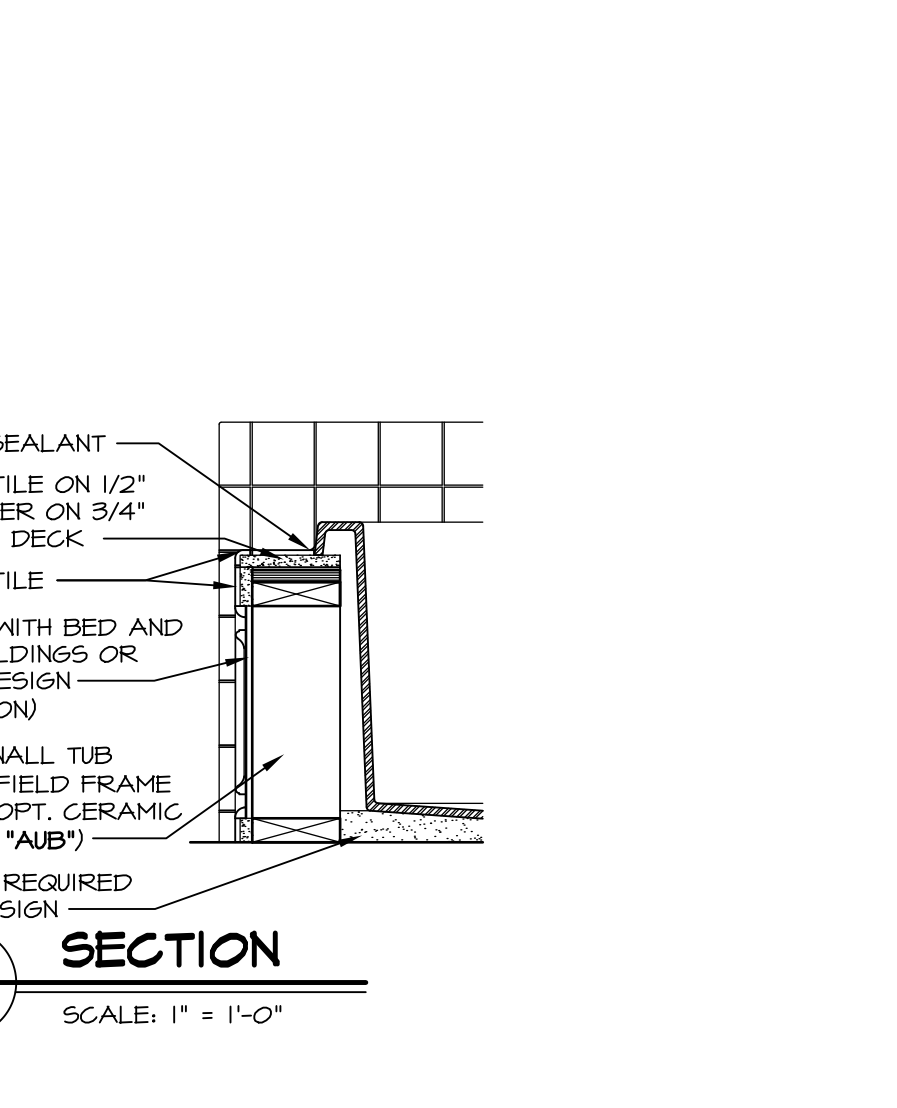
7 SECTION OF SHOWER SEAT  
SCALE: 1-1/2" = 1'-0" FIBERGLASS SHOWER BASE



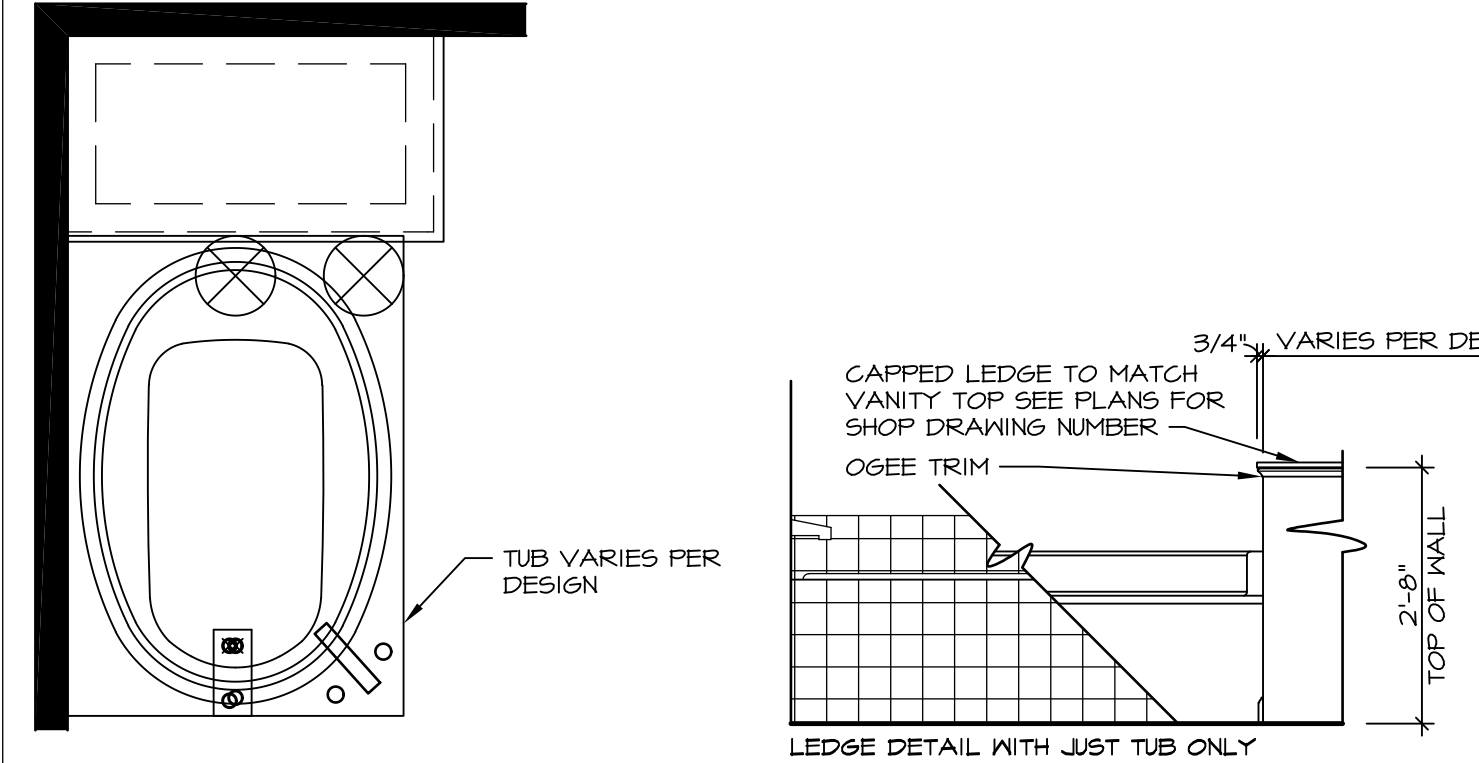
9 SHOWER SEAT PLAN / DETAIL  
SCALE: 1/2" = 1'-0"



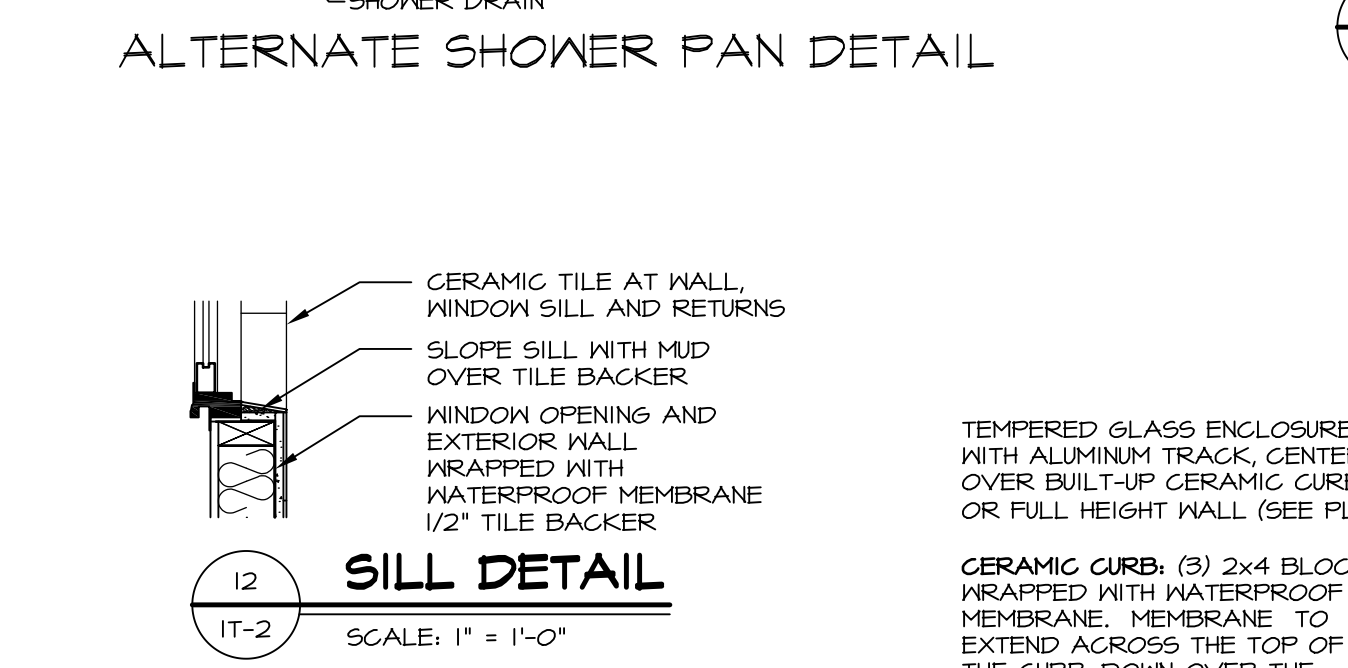
10 SHOWER SEAT SECTION  
SCALE: 1-1/2" = 1'-0"



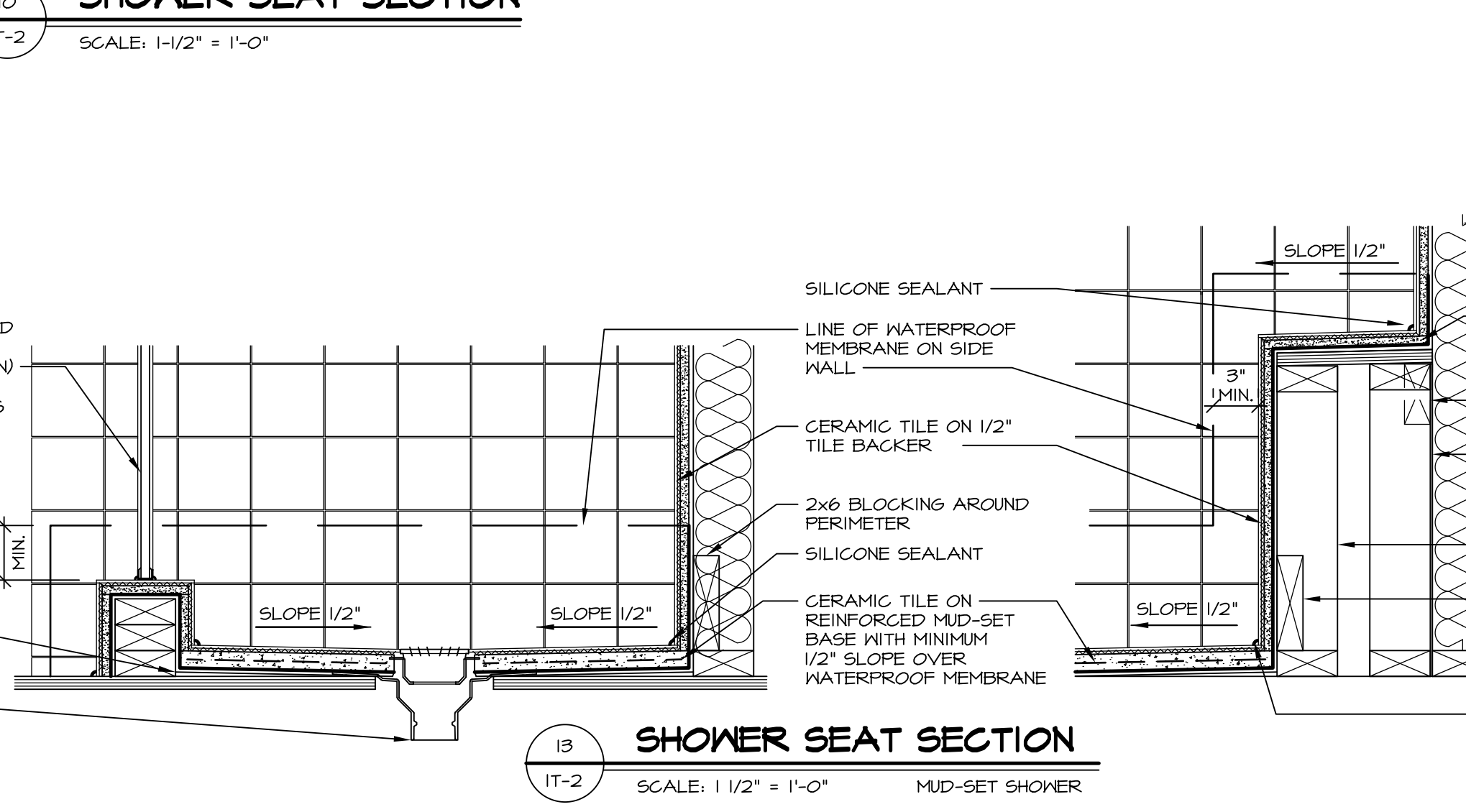
11 SECTION  
SCALE: 1" = 1'-0"



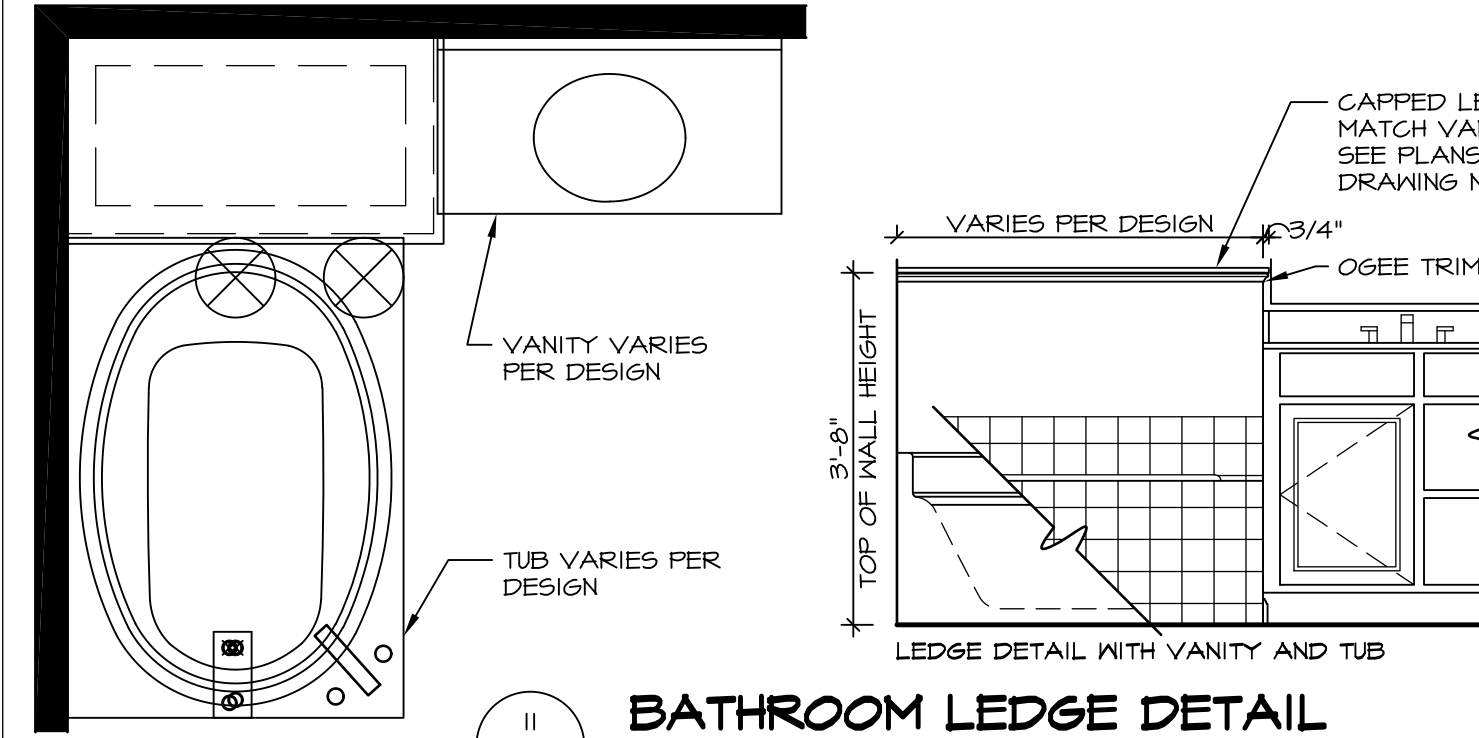
12 BATHROOM LEDGE DETAIL  
SCALE: 1/2" = 1'-0"



13 SILL DETAIL  
SCALE: 1" = 1'-0"



14 SHOWER SEAT SECTION  
SCALE: 1 1/2" = 1'-0" MUD-SET SHOWER

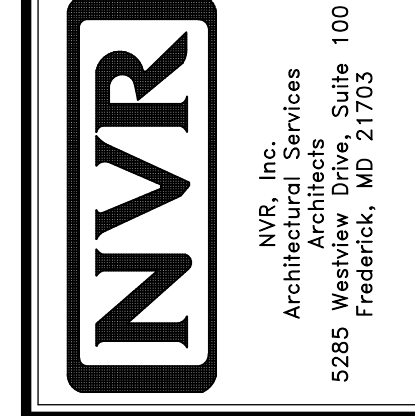


15 BATHROOM LEDGE DETAIL  
SCALE: 1/2" = 1'-0"

REVISIONS

REV. NO.	DATE	DESCRIPTION
5/11/17	5/11/17	EEP - REVISED DETAIL 1 AND 11 TO REMOVE TUB ACCESS PANEL REF. (CBS #5 5414)

NVR, Inc., owner, expressly reserves its common law copyright and other property rights in these plans. These plans are not to be reproduced, copied, or otherwise used in any way without the written consent of NVR, Inc.



SET NO. NVR

VERSION

DRAWN BY

DATE:

OPTION

MODEL STANDARD DETAILS

DRAWING TITLE INTERIOR TRIM DETAILS

BATH DETAILS

OPTION DESCRIPTION

SHEET NO. IT-2