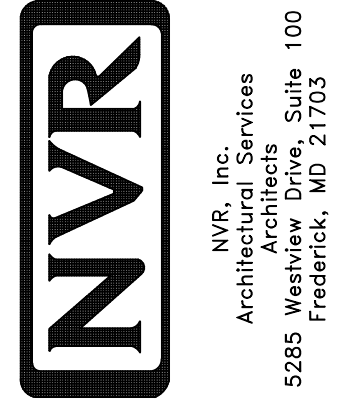


1
A-5 PLUMBING PLAN
SCALE: 1/4" = 1'-0"

SHEET NO.	MODEL	SET NO.	VERSION	DATE:	OPTION	REV. NO.	DATE	REMARKS
A-5	LONDON DRAWING TITLE PLUMBING PLAN	LDN00	02	8/13/15				
33	OPTION DESCRIPTION							

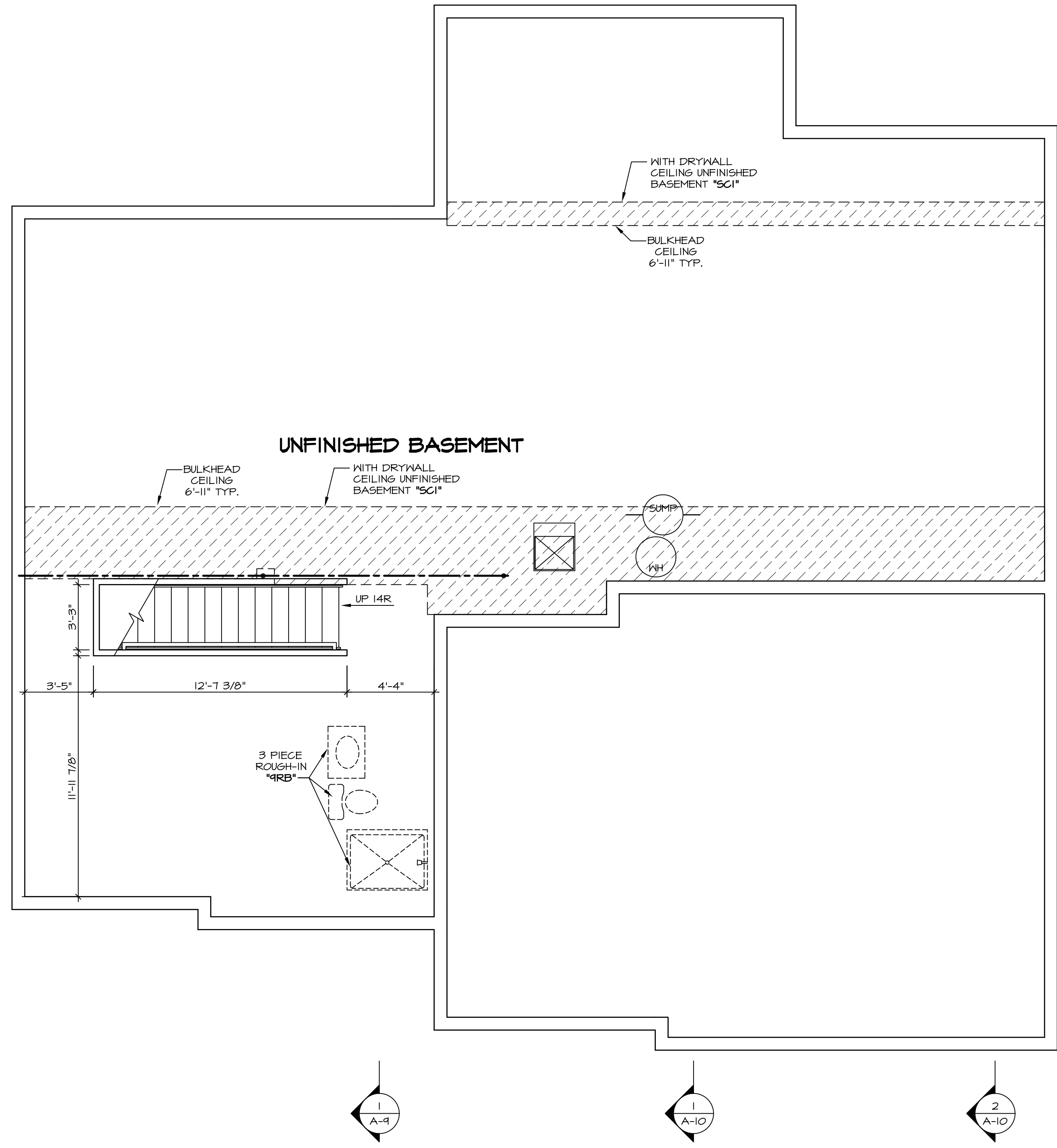


NVR, Inc., owner, expressly disclaims any copyright interest in the drawings, specifications, or plans. These plans are not to be reproduced, changed, adapted, or modified in any way without the prior written consent of NVR, Inc.

LEGEND	
	BEARING WALL
	NON BEARING WALL
	INDICATES BEARING FROM POINT-LOAD ABOVE
	JACKS
	BEAM/HEADER
	PAD FOOTING
	STEEL COLUMN
	PORTAL FRAME
	JOIST/TRUSS
	LVL
	ENGINEERING PAGE NUMBER
SEE FC DETAILS FOR FRAMING CONNECTORS	

- FLOOR PLAN NOTES**
- ALL HEADERS ARE (2) 2x6 w/ 2x4 WALLS OR (3) 2x6 w/ 2x6 WALLS, UNLESS OTHERWISE NOTED.
 - ALL HEADERS TO HAVE (1) 2x4 OR 2x6 JACK EACH END, UNLESS OTHERWISE NOTED.
 - ALL EXTERIOR WALLS TO BE 4" AND ALL INTERIOR WALLS TO BE 3 1/2", UNLESS OTHERWISE NOTED.
 - HATCHED AREAS INDICATE DROPPED CEILINGS. ALL DROPPED CEILINGS ARE 12" UNLESS OTHERWISE NOTED.
 - SEE "BRACED WALL PANEL DETAIL SHEET" FOR SPECIAL WALL FRAMING LOCATIONS AND HEADER SIZES, IF APPLICABLE.
 - SEE STANDARD DETAIL CATEGORY "IT" SHEET(S) FOR INTERIOR TRIM DETAILS.
 - SEE ARCHITECTURAL DETAIL SHEET "AD" FOR HOUSE SPECIFIC INTERIOR TRIM OPTION TABLE.
 - ALL WINDOWS HAVE "1'-0 1/2" HEADER HEIGHT UNLESS OTHERWISE NOTED.

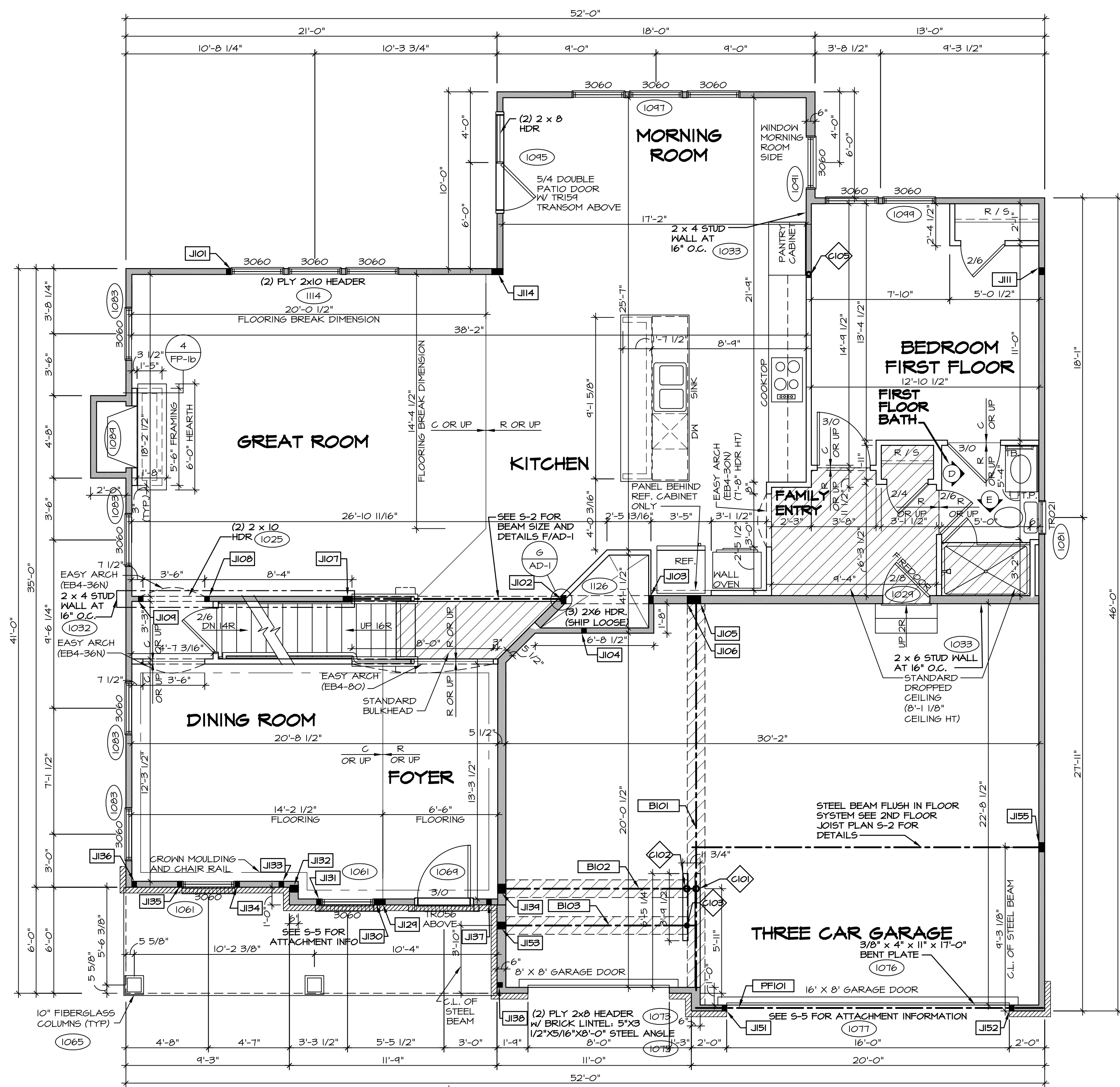
- GYPSUM NOTES**
- AT GARAGE:
GYPSUM BOARD AT COMMON WALLS, CEILINGS, BEAM WRAPS AND SUPPORTS PER STANDARD DETAIL FA-1(b) FIRE ASSEMBLIES OR AS REQUIRED BY LOCAL CODE.
- AT STAIRS:
1/2" GYPSUM BOARD AT UNDERSIDE OF STAIRS AND WALLS IN CLOSET
- BASEMENT WITH I-JOIST FLOOR SYSTEM ABOVE:
WITH OPTION "SGI" - DRYWALL UNFINISHED BASEMENT CEILING AREA
- NOTES:**
- 1/2" GYPSUM WALL BOARD REQUIRED ON CEILING IN UNFINISHED AREAS WHEN NO SPRINKLER SYSTEM IS INSTALLED.
 - A MAXIMUM AREA OF 80 SQ FT MAY BE OMITTED AS NEEDED FOR INSTALLATION OF PLUMBING, ELECTRICAL, AND/OR HVAC (TYPICALLY AN 8'-0"x8'-0" CEILING SPACE ABOVE MECHANICAL AREA).
 - PROVIDE FIRE BLOCKING AS REQUIRED AT PERIMETER OF ANY AREAS WHERE DRYWALL HAS BEEN OMITTED.



BASEMENT FLOOR PLAN
SCALE: 1/4" = 1'-0"

SHEET NO.	MODEL	SET NO.	VERSION	DRAWN BY	DATE	OPTION	REMARKS
A-6	LONDON	LDN00	02	HD	8/13/15		
37							

NVR
Architectural Services
5285 Washington Blvd
Frederick, MD 21703



FIRST FLOOR PLAN
SCALE: 1/4" = 1'-0"

FLOOR PLAN NOTES

- ALL HEADERS ARE (2) 2x6 w/ 2x4 WALLS OR (3) 2x6 w/ 2x6 WALLS, UNLESS OTHERWISE NOTED.
- ALL HEADERS TO HAVE (1) 2x4 OR 2x6 JACK EACH END, UNLESS OTHERWISE NOTED.
- ALL EXTERIOR WALLS TO BE 4" AND ALL INTERIOR WALLS TO BE 3 1/2", UNLESS OTHERWISE NOTED.
- HATCHED AREAS INDICATE DROPPED CEILINGS. ALL DROPPED CEILINGS ARE 12" UNLESS OTHERWISE NOTED.
- SEE "BRACED WALL PANEL DETAIL SHEET" FOR SPECIAL WALL FRAMING LOCATIONS AND HEADER SIZES, IF APPLICABLE.
- SEE STANDARD DETAIL CATEGORY "IT" SHEET(S) FOR INTERIOR TRIM DETAILS.
- SEE ARCHITECTURAL DETAIL SHEET "AD" FOR HOUSE SPECIFIC INTERIOR TRIM OPTION TABLE.
- ALL WINDOWS HAVE 8'-0 1/2" HEADER HEIGHT UNLESS OTHERWISE NOTED.

GYPSUM NOTES

AT GARAGE:
GYPSUM BOARD AT COMMON WALLS, CEILING, BEAM WRAPS AND SUPPORTS PER STANDARD DETAIL FA-1(b) FIRE ASSEMBLIES OR AS REQUIRED BY LOCAL CODE.

AT STAIRS:
1/2" GYPSUM BOARD AT UNDERSIDE OF STAIRS AND WALLS IN CLOSET

LEGEND

- BEARING WALL
 - NON BEARING WALL
 - INDICATES BEARING FROM POINT-LOAD ABOVE
 - JACKS
 - BEAM/HEADER
 - PAD FOOTING
 - STEEL COLUMN
 - PORTAL FRAME
 - JOIST/TRUSS
 - LVL
 - ENGINEERING PAGE NUMBER
- SEE FC DETAILS FOR FRAMING CONNECTORS

FIRST FLOOR JACK SCHEDULE

IDENTIFIER	DESCRIPTION	OPTIONS	ENG. NUM.	REMARKS
J101	JACK - (2) 2X4 SFF STUD GRADE		1114	
J102	JACK - (2) 2X6 SFF STUD GRADE		1121	
J103	JACK - (2) 2X6 SFF STUD GRADE		1121	
J104	JACK - (2) 2X4 SFF STUD GRADE		1006	
J105	JACK - (4) 2X6 SFF STUD GRADE	MAV	1036	
J106	JACK - (2) 2X6 SFF STUD GRADE		1039, 1041	
J107	JACK - (4) 2X4 SFF STUD GRADE		1027	
J108	JACK - (2) 2X4 SFF STUD GRADE		1025	
J109	JACK - (2) 2X4 SFF STUD GRADE		1025	
J111	JACK - (3) 2X4 SFF STUD GRADE	BAR	1012, 1015, 1021	
J114	JACK - (5) 2X4 SFF	MAA	1018, 1021	
J124	JACK - (3) 2X4 SFF STUD GRADE	ELC	1010	
J130	JACK - (2) 2X4 SFF STUD GRADE	ELC	1061	
J131	JACK - (2) 2X4 SFF STUD GRADE	ELC	1061	
J132	JACK - (3) 2X6 SFF STUD GRADE	ELC	2000	
J133	JACK - (2) 2X4 SFF STUD GRADE	ELC, EVM	1065	
J134	JACK - (2) 2X4 SFF STUD GRADE	ELC	1061	
J135	JACK - (2) 2X4 SFF STUD GRADE	ELC	1061	
J136	JACK - (2) 2X4 SFF STUD GRADE	ELC	1065	
J137	JACK - (2) 2X4 SFF STUD GRADE	ELC, EVM	1065	
J138	JACK - (2) 2X4 SFF STUD GRADE	ELC	1065	
J139	JACK - (4) 2X6 SFF STUD GRADE	ELC, ELL	1046	
J151	JACK - (2) 2X4 SFF STUD GRADE		1077	
J152	JACK - (2) 2X4 SFF STUD GRADE		1077	
J153	JACK - (3) 2X6 SFF STUD GRADE		1044	
J155	JACK - (4) 2X4 SFF STUD GRADE	MAV	1122,1124	

FIELD INSTALLED FIRST FLOOR BEAM/HEADER SCHEDULE

IDENTIFIER	DESCRIPTION	LENGTH	OPTIONS	ENG. NUM.	REMARKS
B101	BEAM STEEL - W8X21	22'-1"	MAV	1046, 1048, 1050	
B102	BEAM STEEL - W8X13	10'-11"	ELC, ELL	1046, 1048, 1050	
B103	BEAM STEEL - W8X10 WP	10'-11"	EVM	1044	3/8"x8" PLATE
PF101	EXT HEADER - 2X12 - 2 FLY	14'-8"		1077	

STEEL COLUMN SCHEDULE

IDENTIFIER	STYLE	HEIGHT	OPTIONS	ENG. NUM.	REMARKS
C101	STANCHION - 4 IN DIA I16A ADJ	8'-11 5/8"	MAV,FBA	1036	
C102	STANCHION - 4 IN DIA I16A ADJ	9'-7 1/4"	FBA	1036	
C103	STANCHION - 3 IN DIA I16A ADJ	9'-7"	ELC, EVM, FBA	1044	
C105	STANCHION - 3 IN DIA I16A ADJ	9'-1 1/8"	MAA, KAF, BAR	1021	

REMARKS

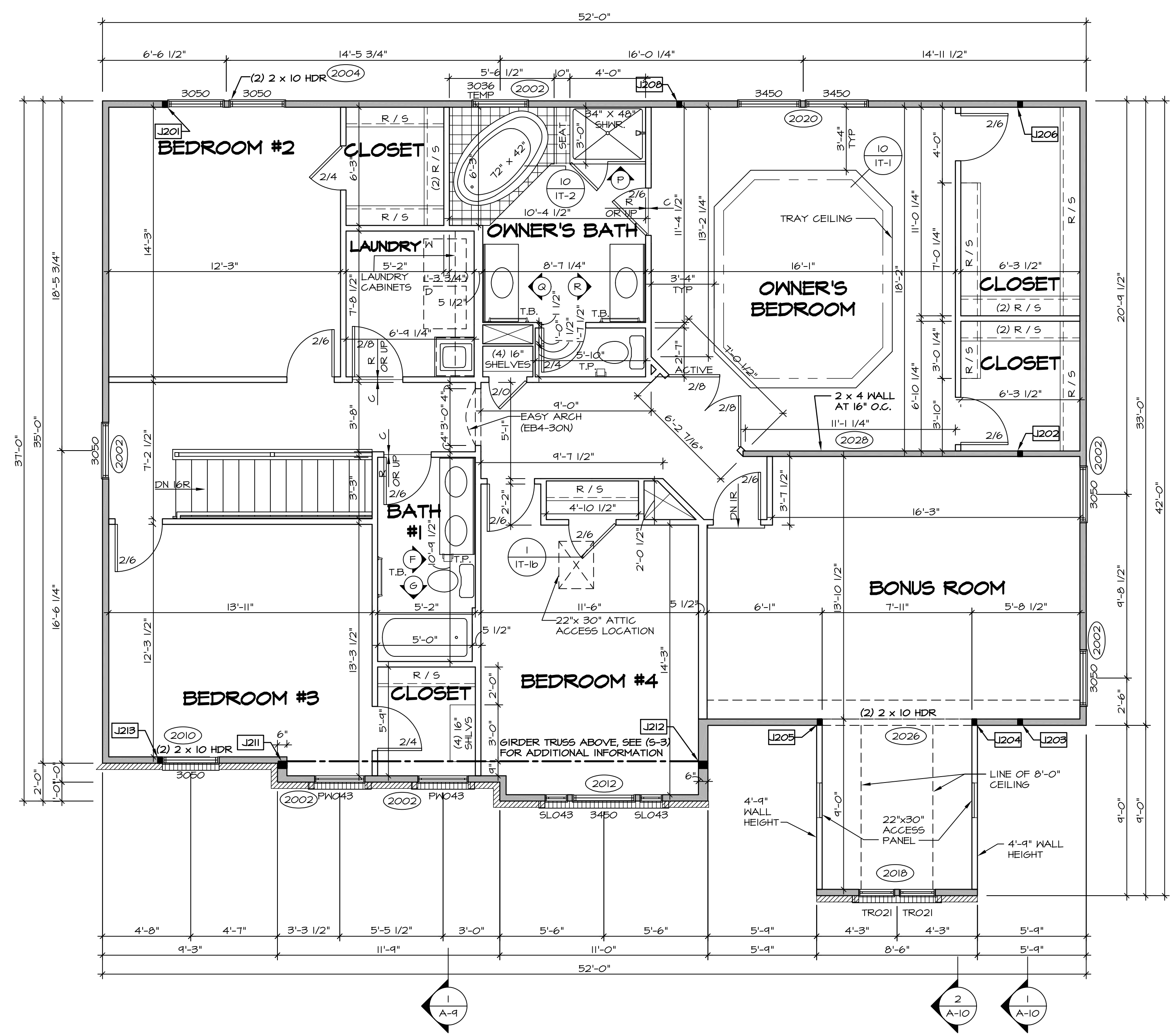
REV. NO.	DATE	DESCRIPTION

NVR, Inc., owner, expressly reserves its common law copyright in these plans. These plans are not to be reproduced, changed, altered, or otherwise used in any way without the written consent of NVR, Inc.

NVR
Architectural Services
100
5285 Washington Blvd
Frederick, MD 21703

MODEL: LANDNO
DRAWING TITLE: FIRST FLOOR PLAN
DRAWN BY: TVT
DATE: 8/12/15
OPTION: OPTION

SHEET NO. A-7
39



SECOND FLOOR PLAN
SCALE: 1/4" = 1'-0"

LEGEND

- BEARING WALL
- NON BEARING WALL
- INDICATES BEARING FROM POINT-LOAD ABOVE
- JACKS
- BEAM/HEADER
- PAD FOOTING
- STEEL COLUMN
- PORTAL FRAME
- JOIST/TRUSS
- LVL
- ENGINEERING PAGE NUMBER

SEE FC DETAILS FOR FRAMING CONNECTORS

- FLOOR PLAN NOTES**
1. ALL HEADERS ARE (2) 2x6 w/ 2x4 WALLS OR (3) 2x6 w/ 2x6 WALLS, UNLESS OTHERWISE NOTED.
 2. ALL HEADERS TO HAVE (1) 2x4 OR 2x6 JACK EACH END, UNLESS OTHERWISE NOTED.
 3. ALL EXTERIOR WALLS TO BE 4" AND ALL INTERIOR WALLS TO BE 3 1/2", UNLESS OTHERWISE NOTED.
 4. HATCHED AREAS INDICATE DROPPED CEILINGS. ALL DROPPED CEILINGS ARE 12" UNLESS OTHERWISE NOTED.
 5. SEE "BRACED WALL PANEL DETAIL SHEET" FOR SPECIAL WALL FRAMING LOCATIONS AND HEADER SIZES, IF APPLICABLE.
 6. SEE STANDARD DETAIL CATEGORY "IT" SHEET(S) FOR INTERIOR TRIM DETAILS.
 7. SEE ARCHITECTURAL DETAIL SHEET "AD" FOR HOUSE SPECIFIC INTERIOR TRIM OPTION TABLE.
 8. ALL WINDOWS HAVE 7'-0 1/2" HEADER HEIGHT UNLESS OTHERWISE NOTED.

- GYPSUM NOTES**
- AT GARAGE:
GYPSUM BOARD AT COMMON WALLS, CEILING, BEAM WRAPS AND SUPPORTS PER STANDARD DETAIL FA-1(b) FIRE ASSEMBLIES OR AS REQUIRED BY LOCAL CODE.
- AT STAIRS:
1/2" GYPSUM BOARD AT UNDERSIDE OF STAIRS AND WALLS IN CLOSET

SECOND FLOOR JACK SCHEDULE

IDENTIFIER	DESCRIPTION	OPTIONS	ENG. NUM.	REMARKS
J201	JACK - (2) 2X4 SFF STUD GRADE	ELC, ELL	2001a	
J202	JACK - (2) 2X4 SFF STUD GRADE	ELC, ELL, MAV	2001	
J203	JACK - (2) 2X4 SFF STUD GRADE	ELC, ELL, MAV	2001	
J204	JACK - (2) 2X4 SFF STUD GRADE	MAV		
J205	JACK - (2) 2X4 SFF STUD GRADE	MAV		
J206	JACK - (2) 2X4 SFF STUD GRADE	ELC, ELL, MAV	2001	
J208	JACK - (2) 2X4 SFF STUD GRADE	ELC, ELL, MAA	2000	
J211	JACK - (3) 2X6 SFF STUD GRADE	ELC	2000	EXTEND TO THRU. TOP PLATE
J212	JACK - (3) 2X6 SFF STUD GRADE	ELC	2000	EXTEND TO THRU. TOP PLATE
J213	JACK - (2) 2X4 SFF STUD GRADE	ELC	2010	

REVISIONS

REV. NO.	DATE	REMARKS

MODEL: LONDON
DRAWING TITLE: SECOND FLOOR PLAN
OPTION DESCRIPTION: 41

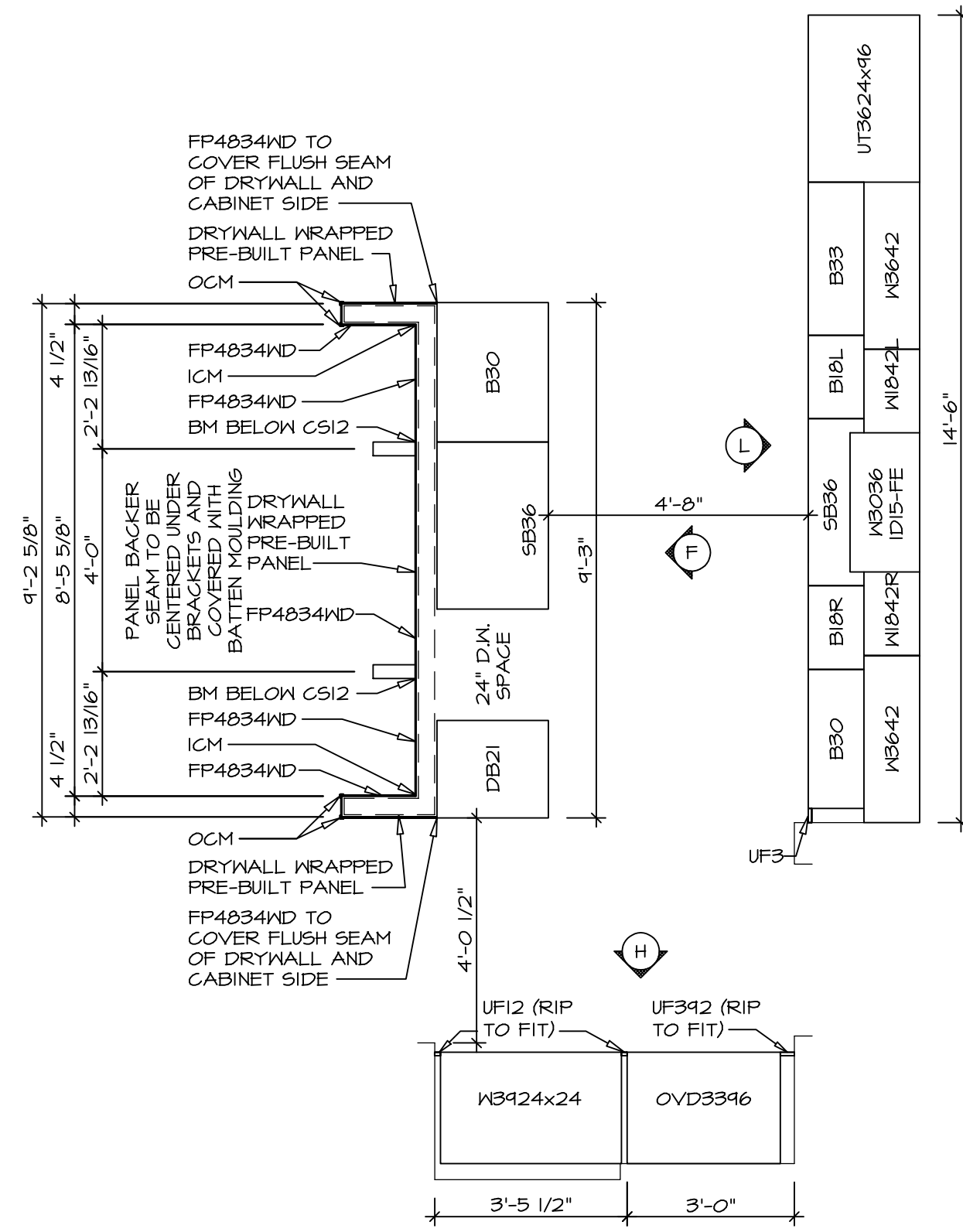
SHEET NO. A-8

SET NO. LDN00
VERSION 02
DRAWN BY SDTT
DATE: 7/3/15
OPTION

NVR, Inc. Architectural Services
5285 Washington Blvd. Suite 100
Frederick, MD 21703

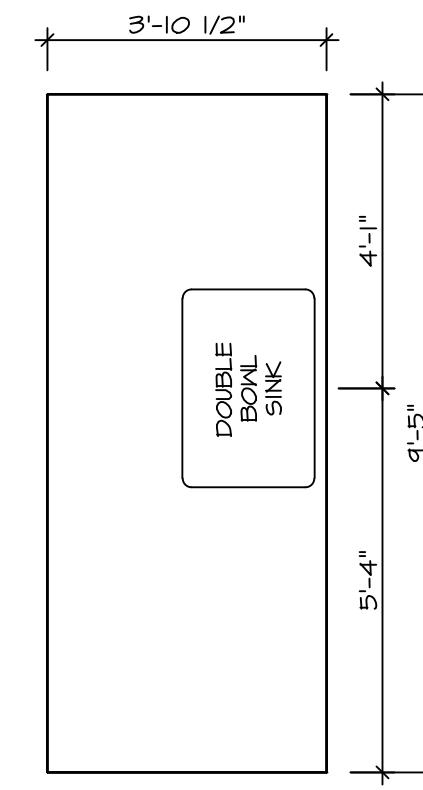
NVR, Inc. owner, expressly reserves its copyright in these plans. These plans are not to be reproduced, changed, copied, or otherwise used without the written consent of NVR, Inc.

C:\NVR\Solves\LONDON_LDNO0_02\DC-B1-0242\76128\Sheet\Lot_Specific\41_A-8_PLN2_LS.dwg 03/23/18 - 6:57 am



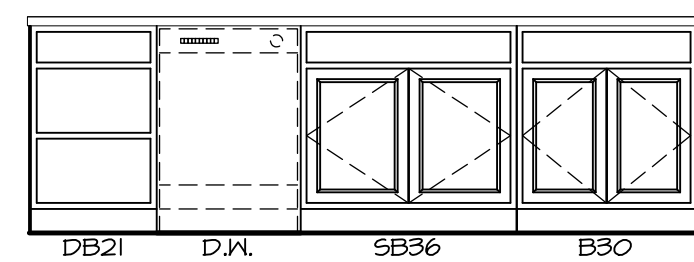
CABINET PLAN
KC - 2961

3
A-12 SCALE: 3/8" = 1'-0"

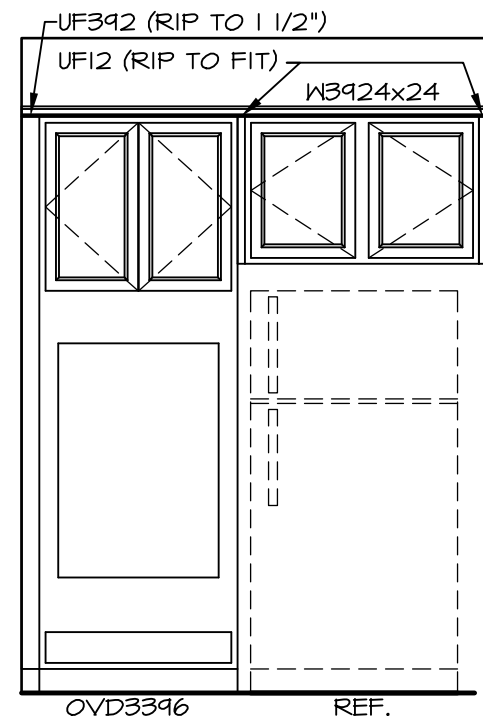


COUNTERTOP PLAN
KC - 2961

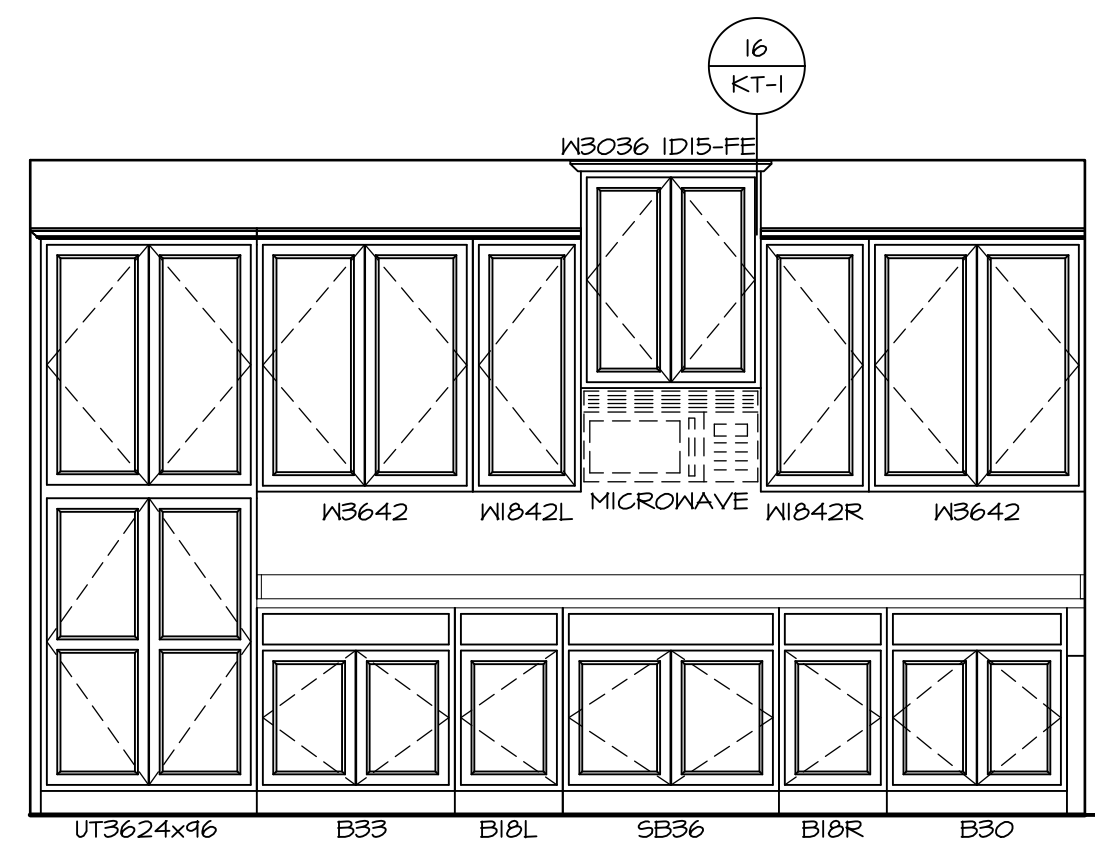
4
A-12 SCALE: 3/8" = 1'-0"



F ELEVATION "F"
SCALE: 3/8" = 1'-0"

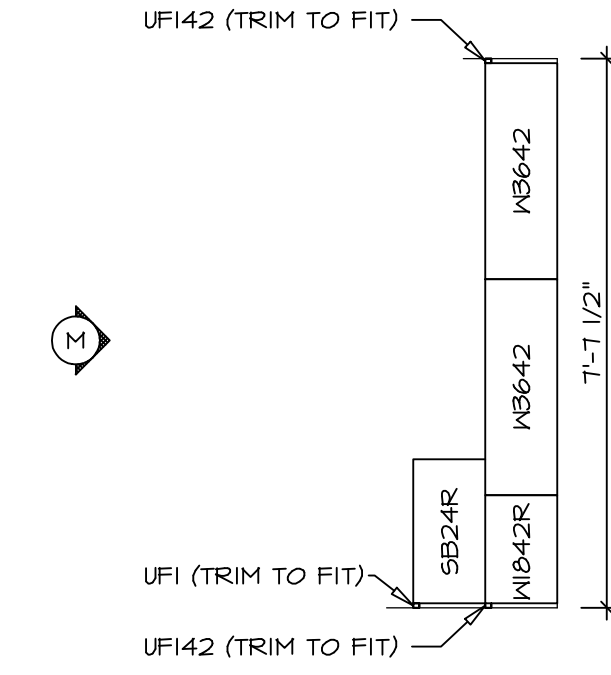


H ELEVATION "H"
SCALE: 3/8" = 1'-0"



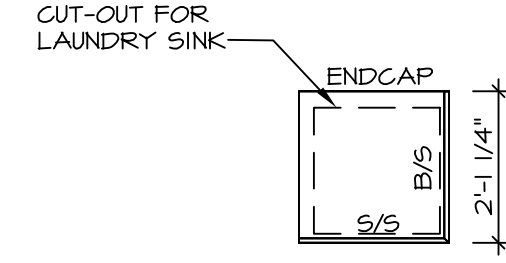
L ELEVATION "L"
SCALE: 3/8" = 1'-0"

SHEET NO. A-12	MODEL LONDON	DRAWING TITLE KITCHEN PLAN	OPTION DESCRIPTION	SET NO. LDN00	VERSION 02	DRAWN BY SDTT	DATE: 8/6/15	OPTION
				51				
<p>C:\NRA\Solves\LONDON_LDNOO_02\DCV-B1-0242\76128\SheetA.ctb Specific:51_A-12_KIT_LS.dwg 03/23/18 - 6:57 am</p>								
<p>NVR, Inc., owner, expressly reserves its common law copyright in these plans. These plans are not to be reproduced, changed, adapted, or otherwise used in any way without the prior written consent of NVR, Inc.</p>								
<p>NVR Architectural Services 5285 Westheimer Blvd, Suite 100 Frederick, MD 21703</p>								
<p>REV. NO. DATE</p>								
<p>REMARKS</p>								



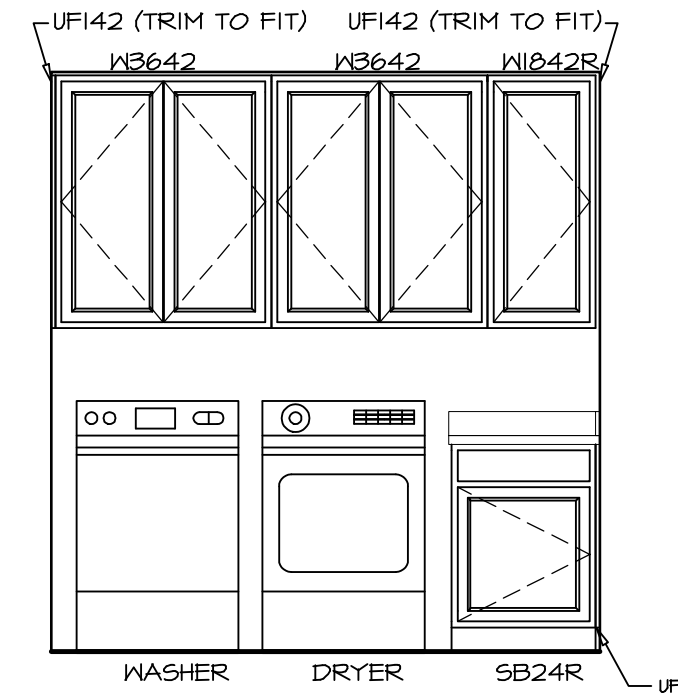
CABINET PLAN
KC - 2964

1
A-12b SCALE: 3/8" = 1'-0"



COUNTERTOP PLAN
KC - 2964

2
A-12b SCALE: 3/8" = 1'-0"

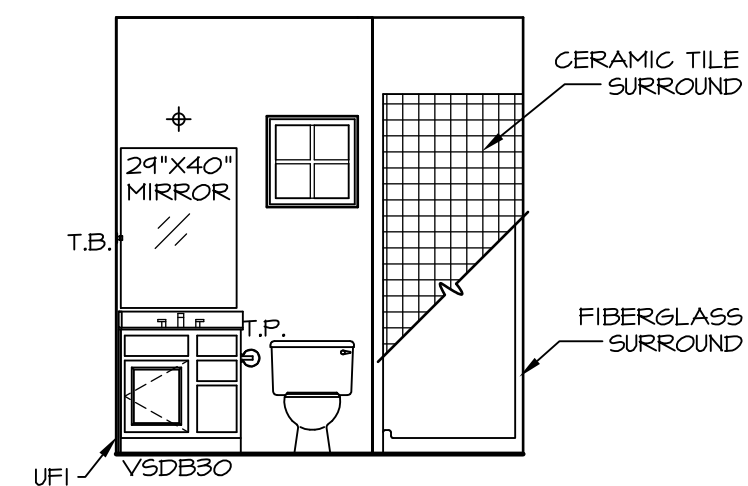


ELEVATION "M"
SCALE: 3/8" = 1'-0"

SHEET NO.	MODEL	SET NO.	VERSION	DRAWN BY	DATE	OPTION	REVISIONS	REMARKS
A-12b	LONDON	LDN00	02	SDTT	8/6/15			
52								

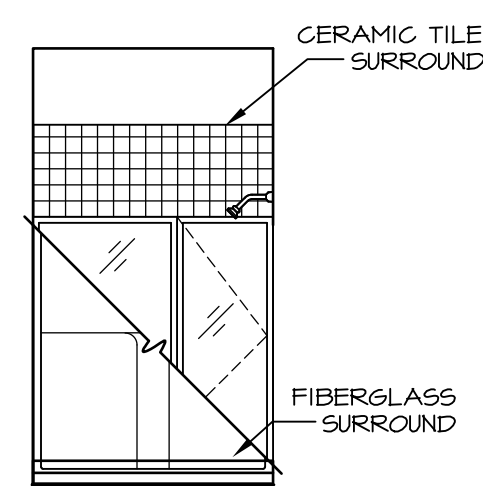
NVR
NVR, Inc.
Architectural Services
5285 Washington Blvd, Suite 100
Frederick, MD 21703

NVR, Inc., owner, expressly reserves its copyright in these plans. These plans are not to be reproduced, changed, copied, or used in any way without the written consent of NVR, Inc.

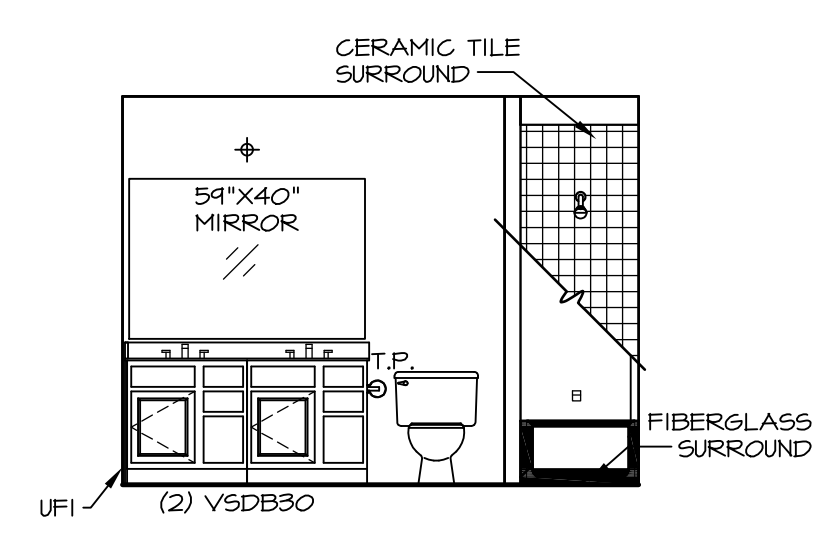


D FIRST FLOOR BATH
SCALE: 1/4" = 1'-0"

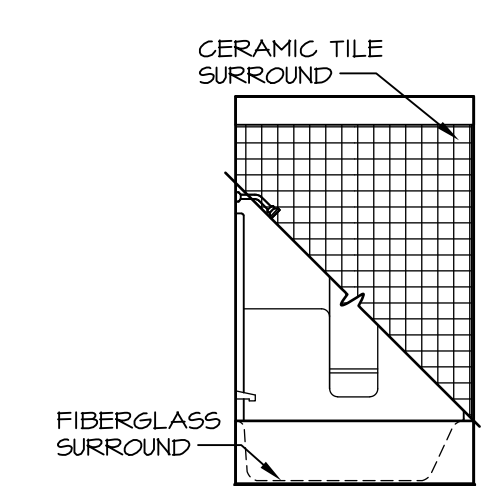
- NOTES:**
1. TEMPERED GLASS SHOWER ENCLOSURE WITH SWING DOOR OR OPTIONAL SLIDING DOOR BY DIVISION
 2. TUB ACCESS PANELS PROVIDED AS NEEDED, ALL MATERIALS BY DIVISION
 3. REFER TO SHEET IT-2 FOR TUB AND SHOWER DETAILS.
 4. ALL V5DB24-42 DRAWERS TO BE SET ON RIGHT HAND.
 5. BATH ELEVATIONS ARE SHOWN PER PLAN.



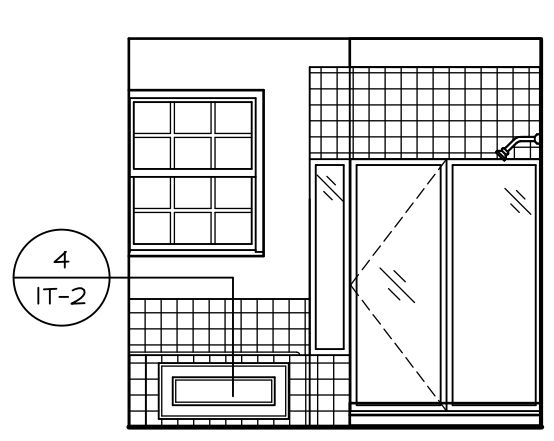
E FIRST FLOOR BATH
SCALE: 1/4" = 1'-0"



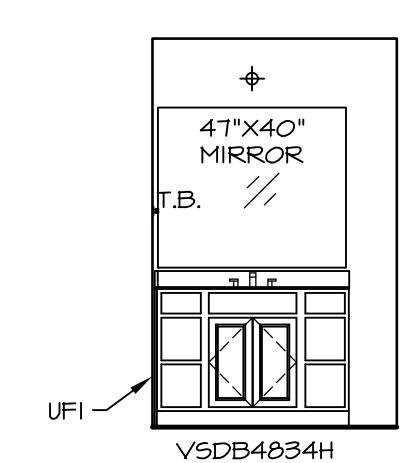
F BATH #1
SCALE: 1/4" = 1'-0"



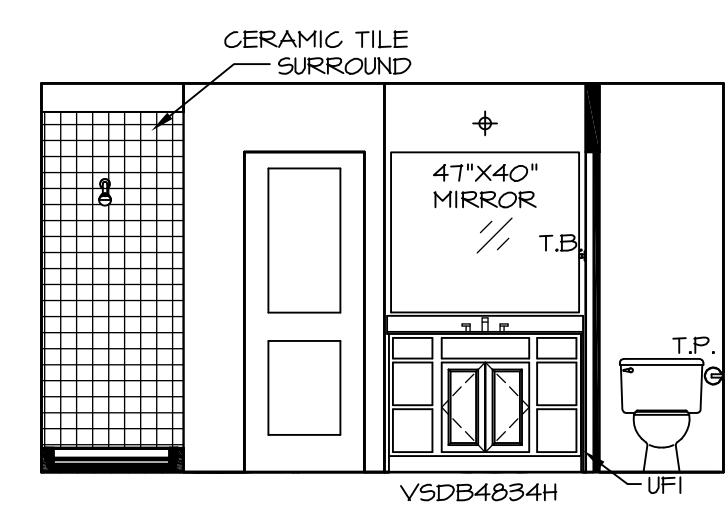
G BATH #1
SCALE: 1/4" = 1'-0"



P OWNER'S BATH
SCALE: 1/4" = 1'-0"



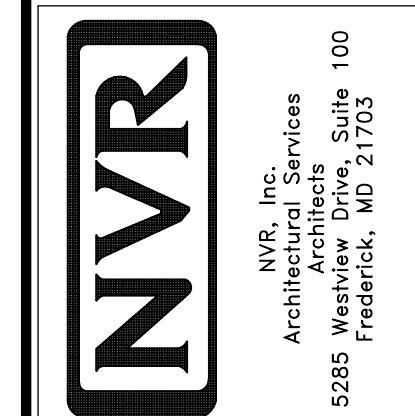
Q OWNER'S BATH
SCALE: 1/4" = 1'-0" OWNER'S BATH ALTERNATE LAYOUT "AMP"

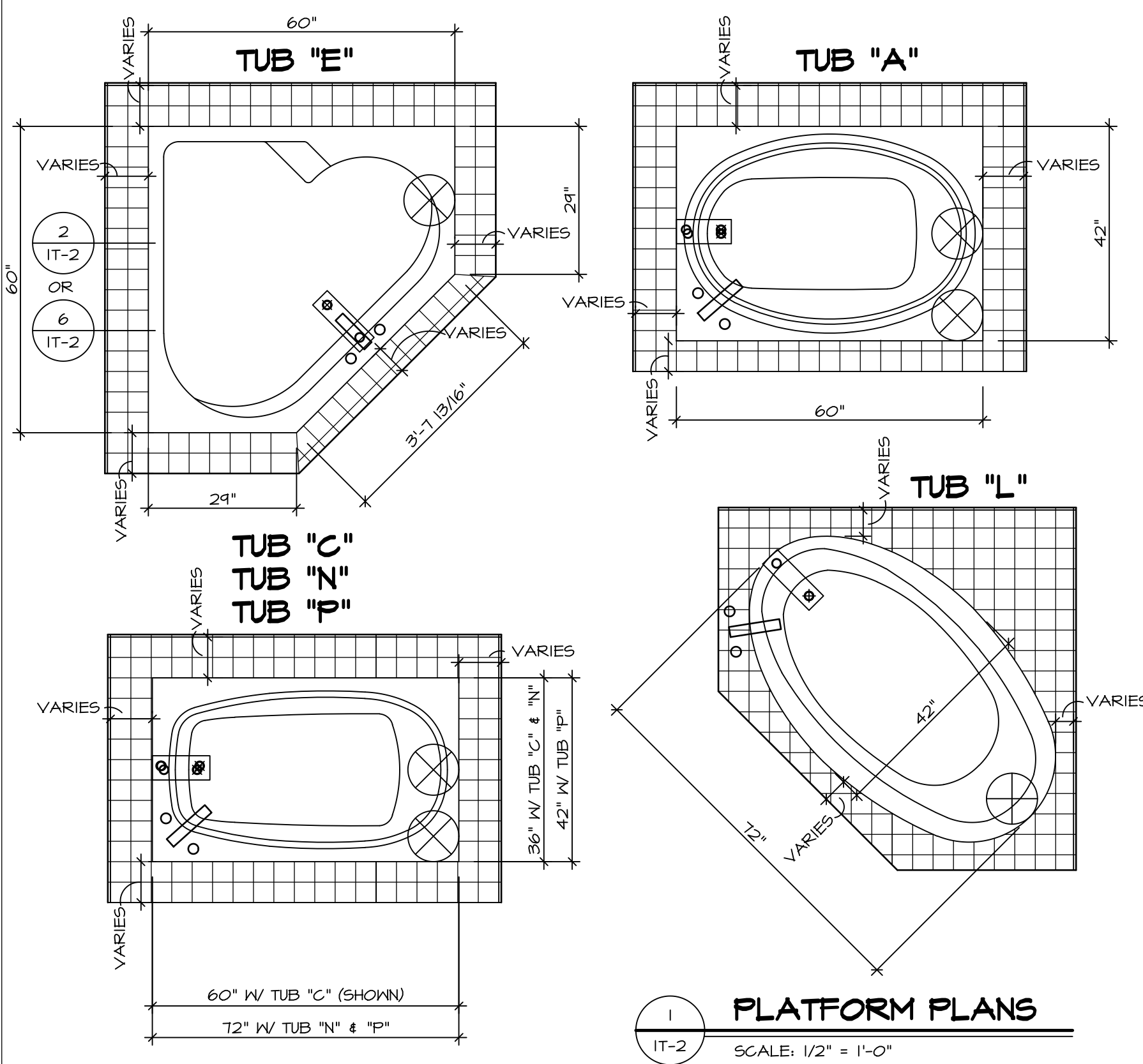


R OWNER'S BATH
SCALE: 1/4" = 1'-0"

SHEET NO.	MODEL	SET NO.	VERSION	DRAWN BY	DATE	OPTION	REMARKS
A-13	LONDON	LDN00	02	SDTT	7/30/15		
55	BATH ELEVATIONS						

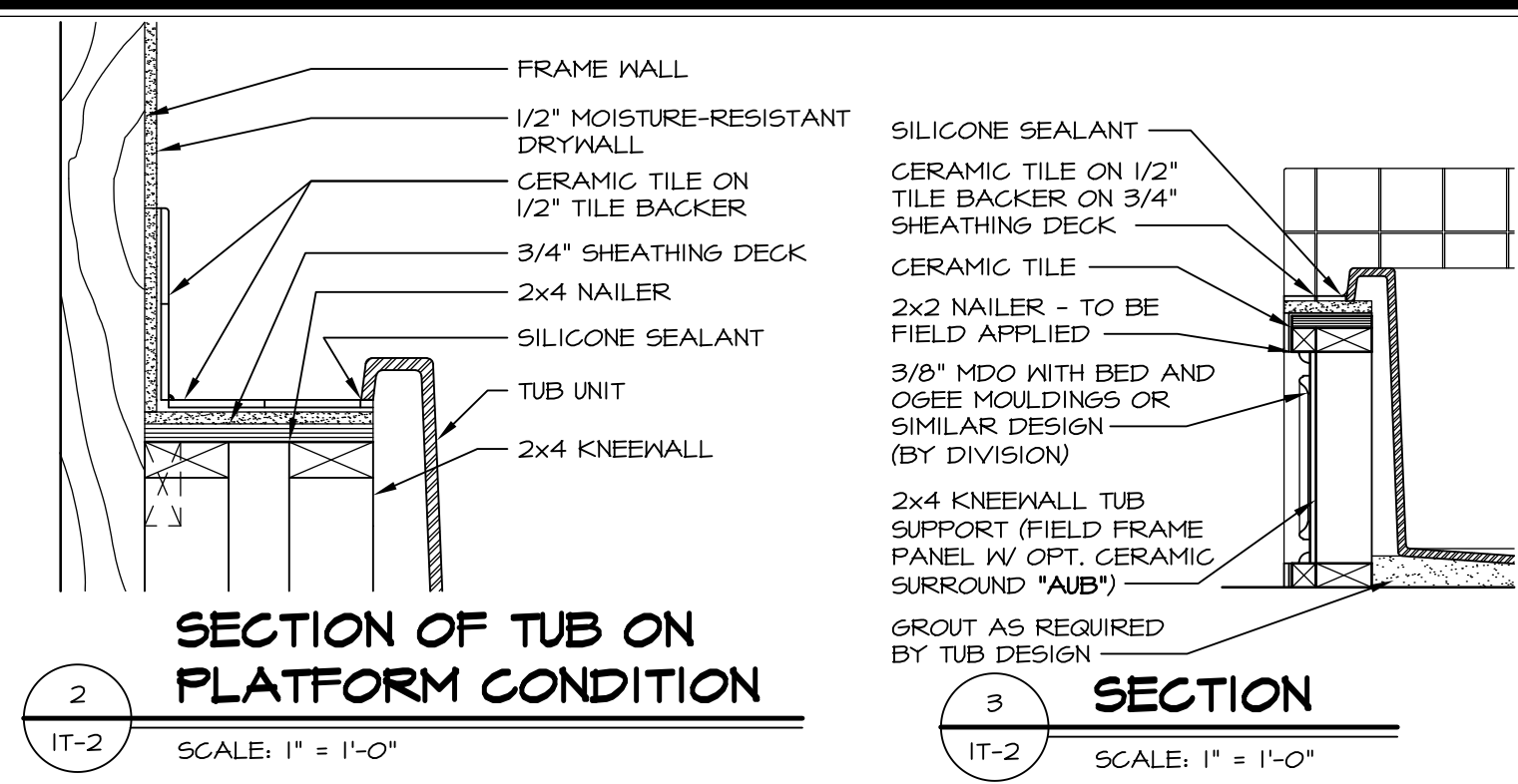
NVR, Inc., owner, expressly reserves its copyright in these plans. These plans are not to be reproduced, changed, copied, or otherwise used in any way without the written consent of NVR, Inc.



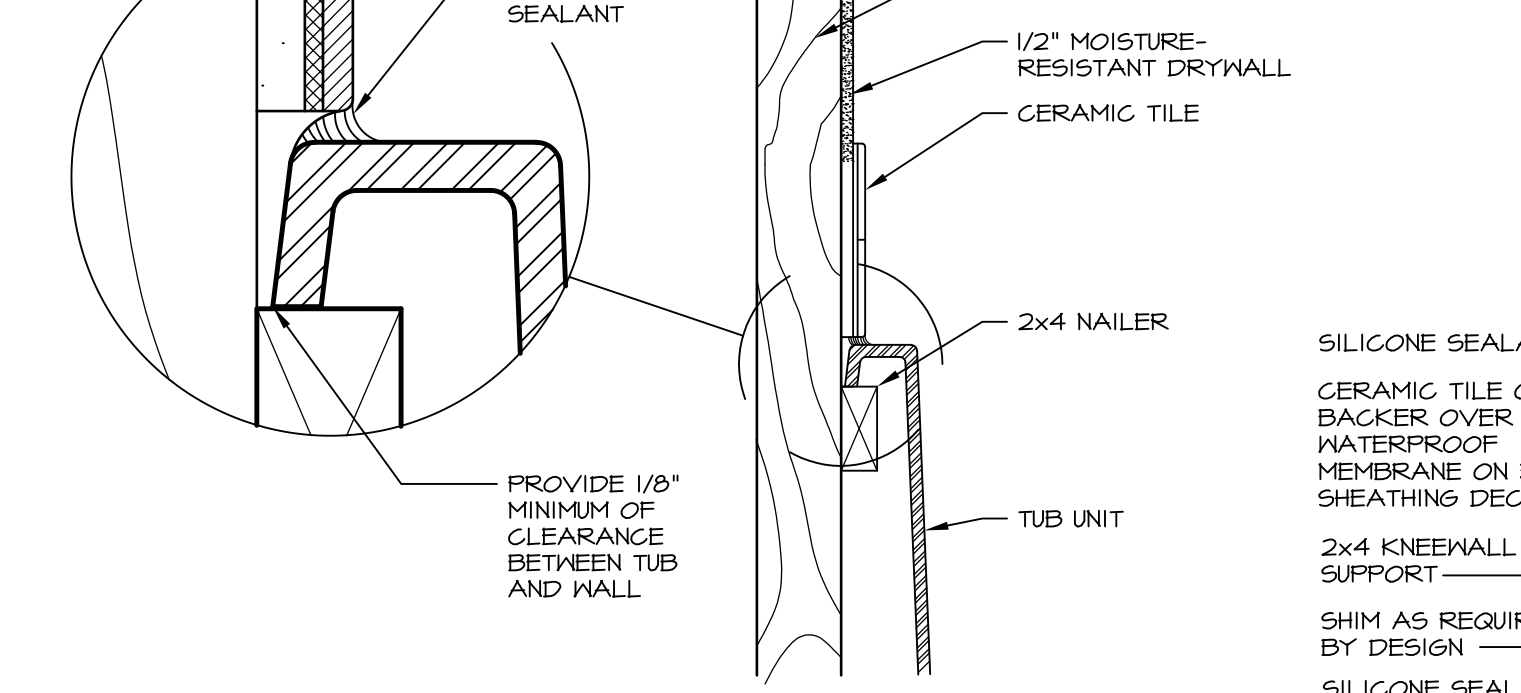


1 PLATFORM PLANS
SCALE: 1/2" = 1'-0"

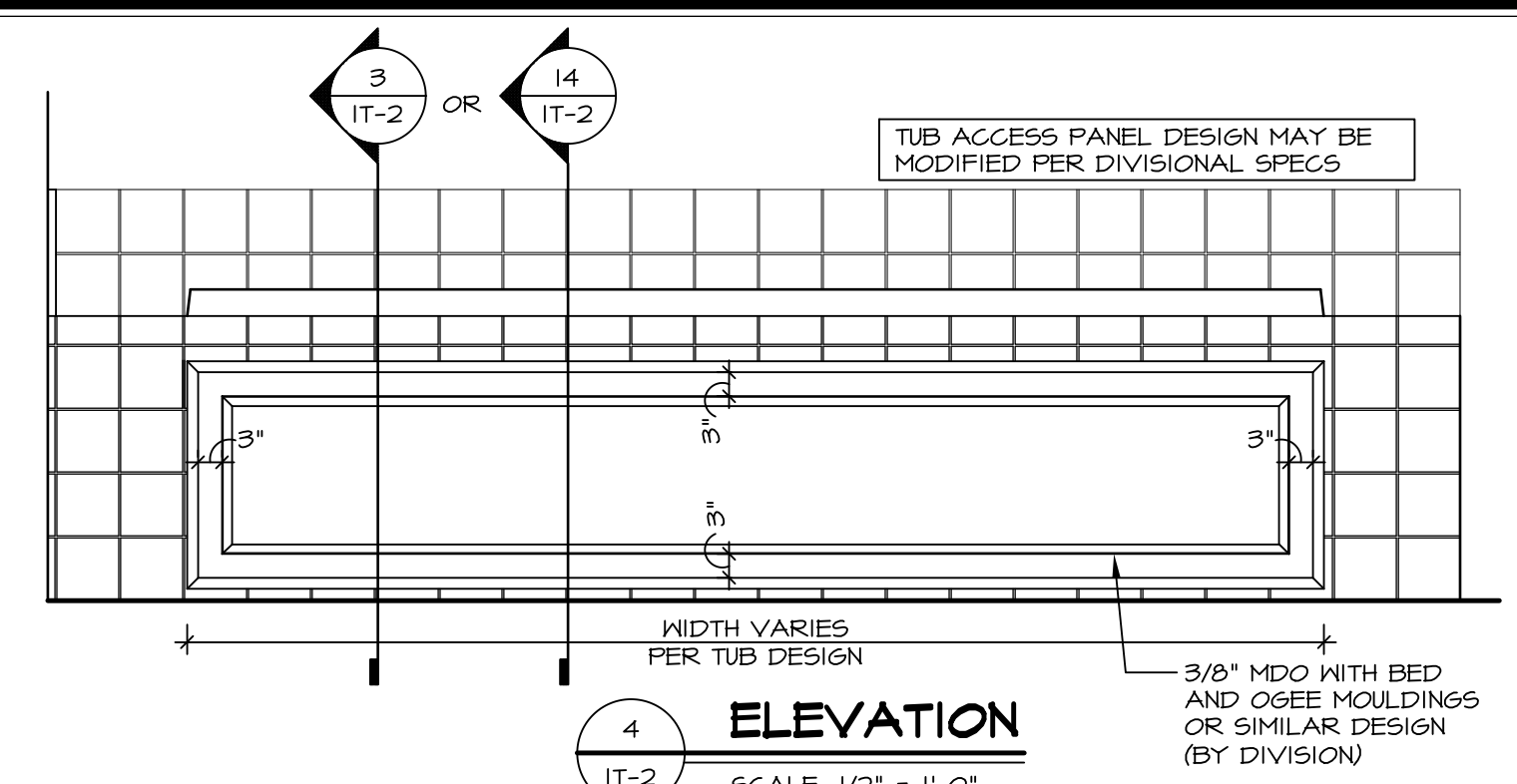
TUB	MANUF.	HEIGHT	WIDTH	LENGTH	TUB DECK PANEL HEIGHT
"A"	KOHLER/STERLING	18 3/4"	42"	60"	17 1/8"
"C"	KOHLER/STERLING	18 3/4"	36"	60"	17 1/8"
"E"	KOHLER/STERLING	19 1/2"	60"	60"	17 7/8"
"L"	KOHLER/STERLING	18 1/2"	42"	72"	16 7/8"
"N"	KOHLER/STERLING	18 3/4"	36"	72"	17 1/8"
"P"	KOHLER/STERLING	18 3/4"	42"	72"	17 1/8"



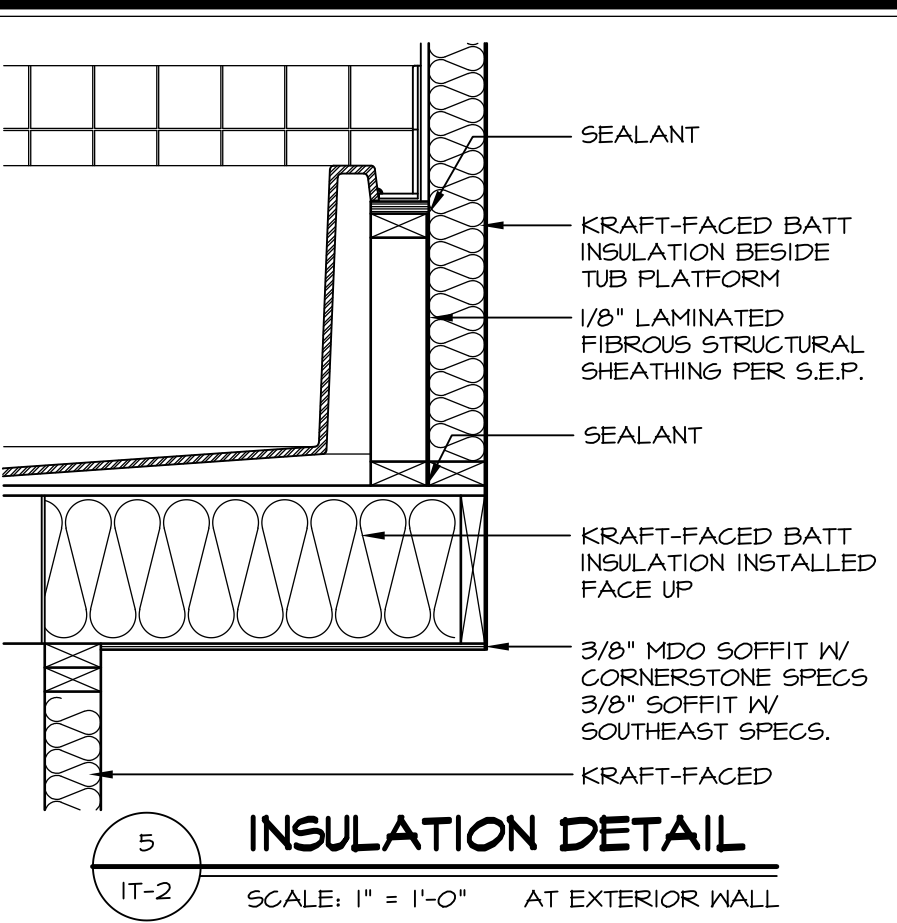
2 SECTION OF TUB ON PLATFORM CONDITION
SCALE: 1" = 1'-0"



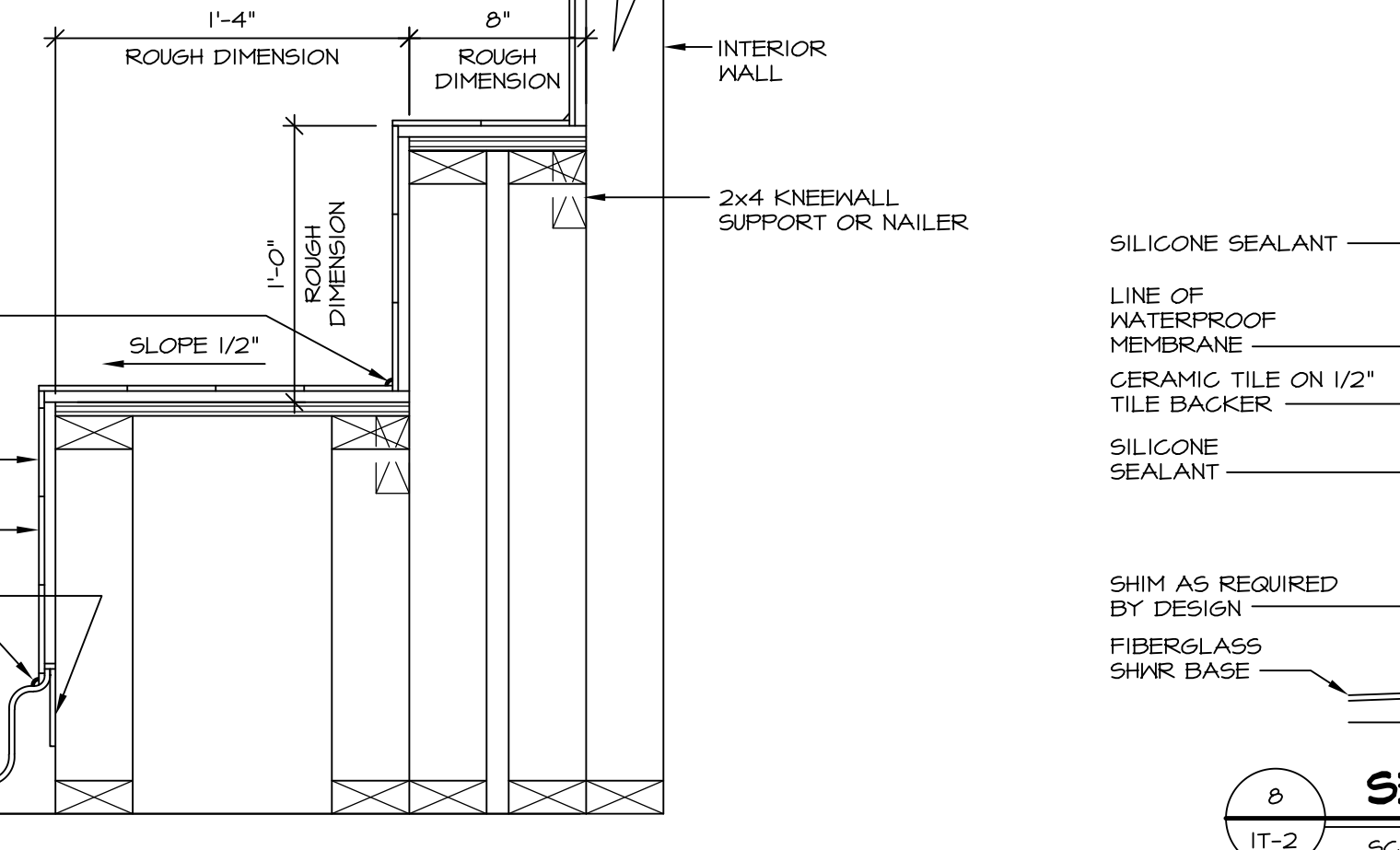
3 SECTION OF TUB TO WALL CONDITION
SCALE: 1" = 1'-0"



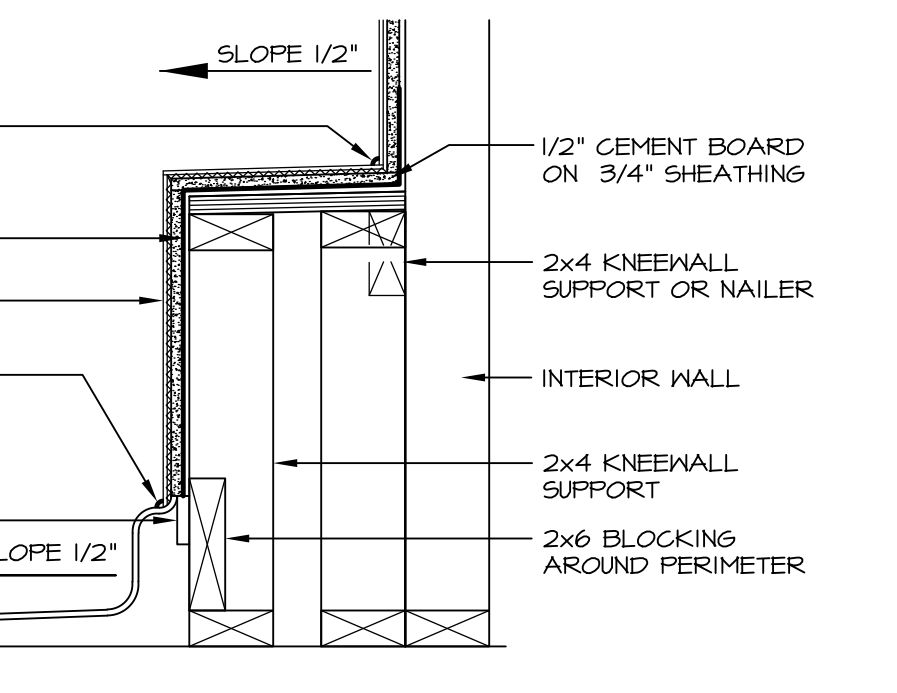
4 ELEVATION
SCALE: 1/2" = 1'-0"



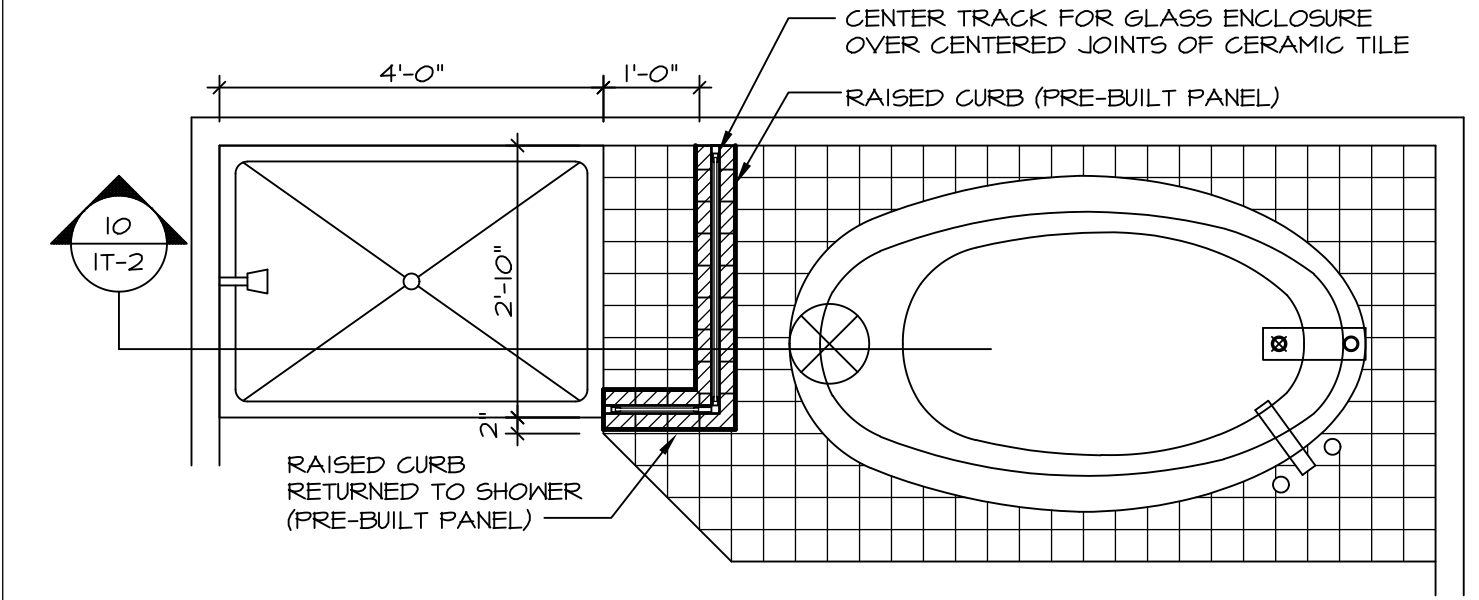
5 INSULATION DETAIL
SCALE: 1" = 1'-0" AT EXTERIOR WALL



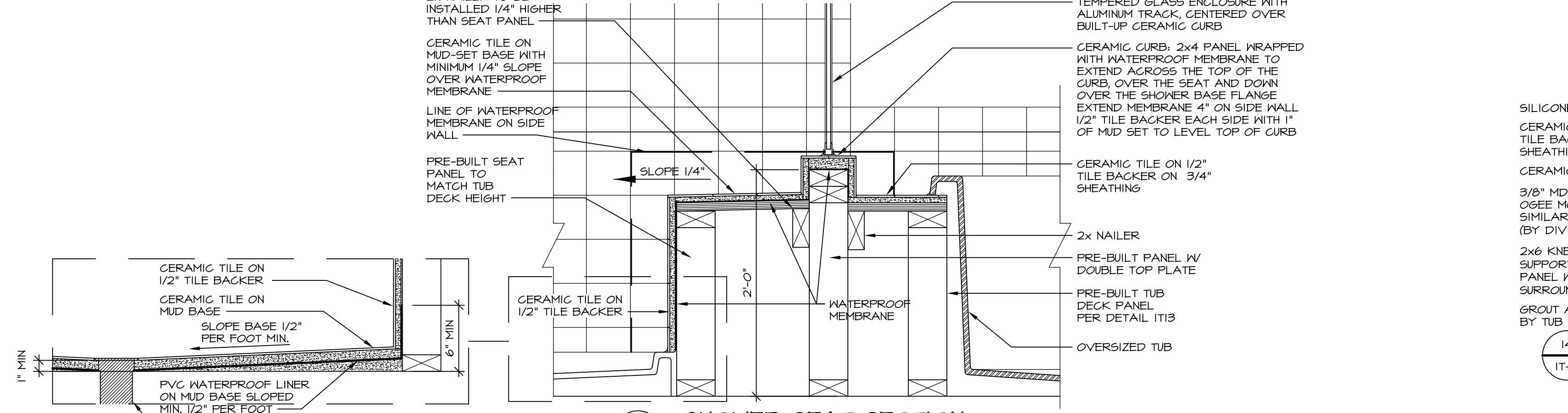
6 SECTION OF SHOWER SEAT AND SHELF
SCALE: 1/2" = 1'-0"



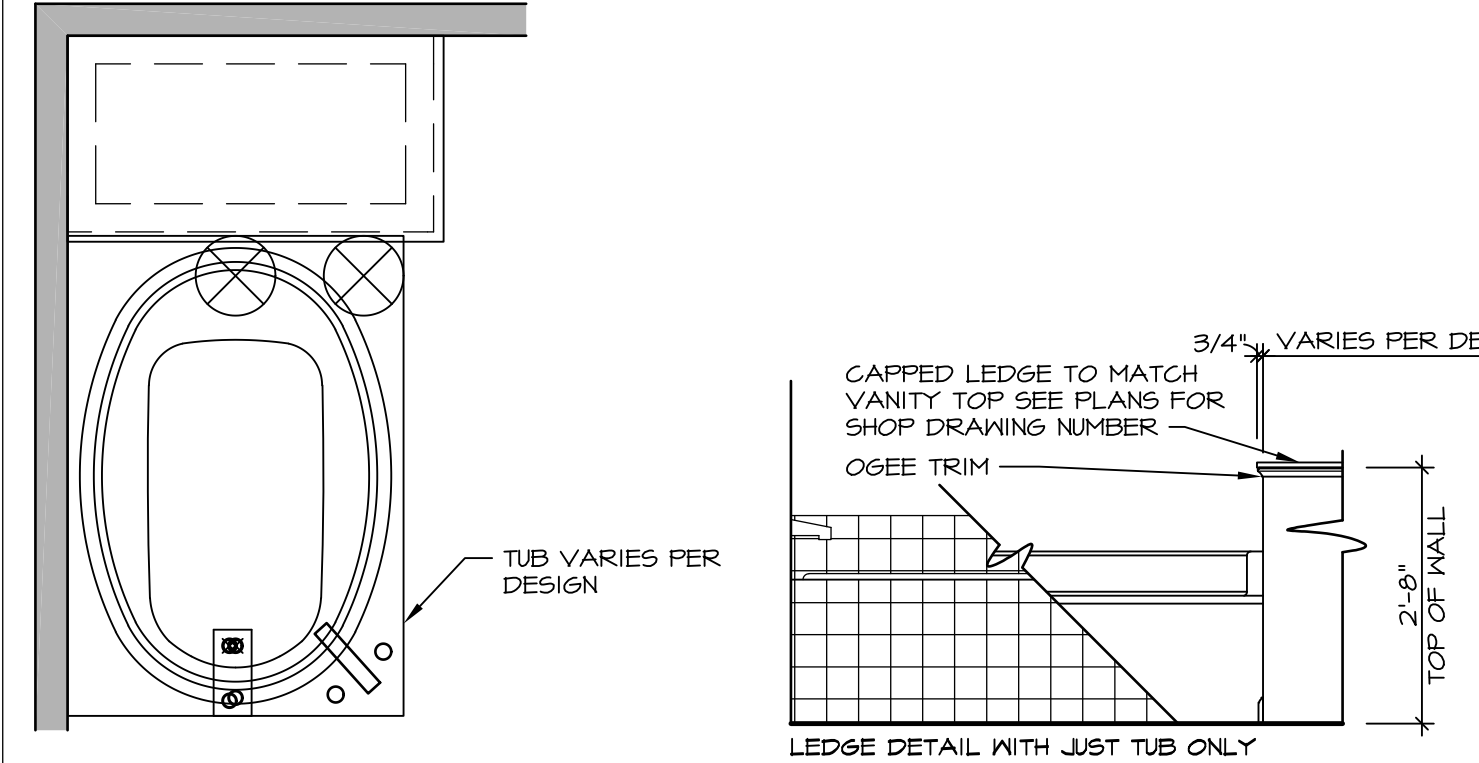
7 SECTION OF SHOWER SEAT
SCALE: 1/2" = 1'-0" FIBERGLASS SHOWER BASE



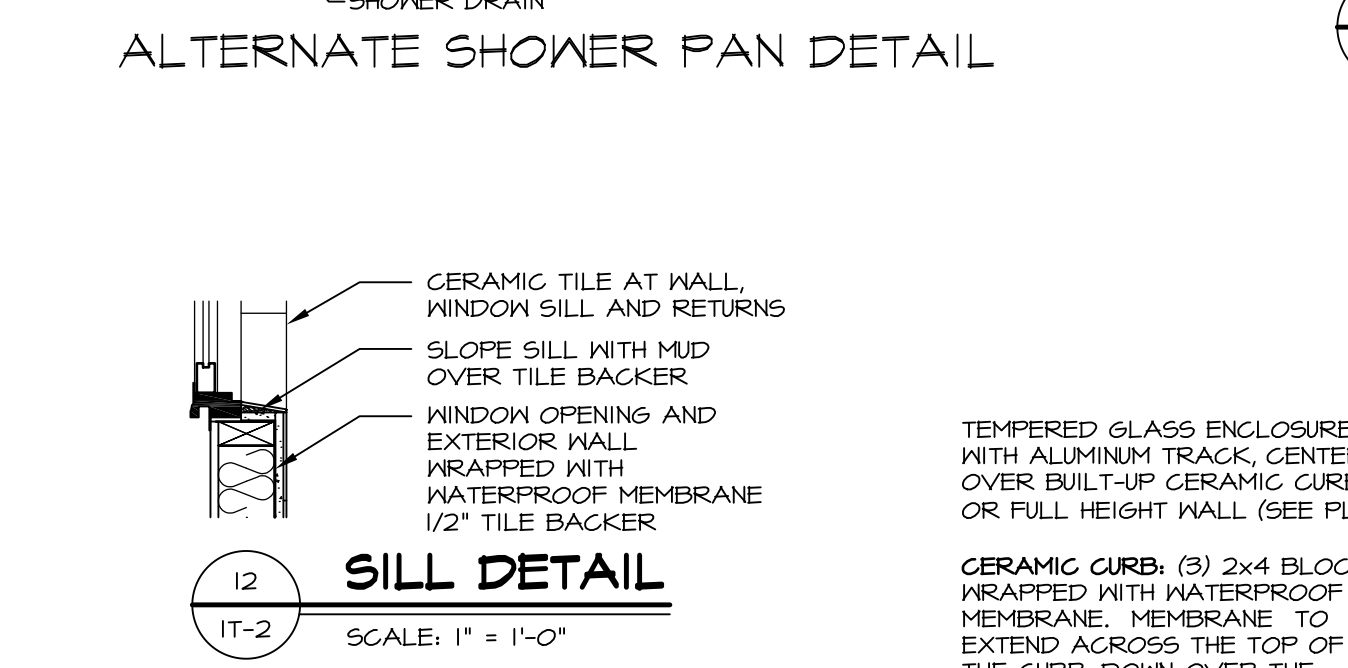
9 SHOWER SEAT PLAN / DETAIL
SCALE: 1/2" = 1'-0"



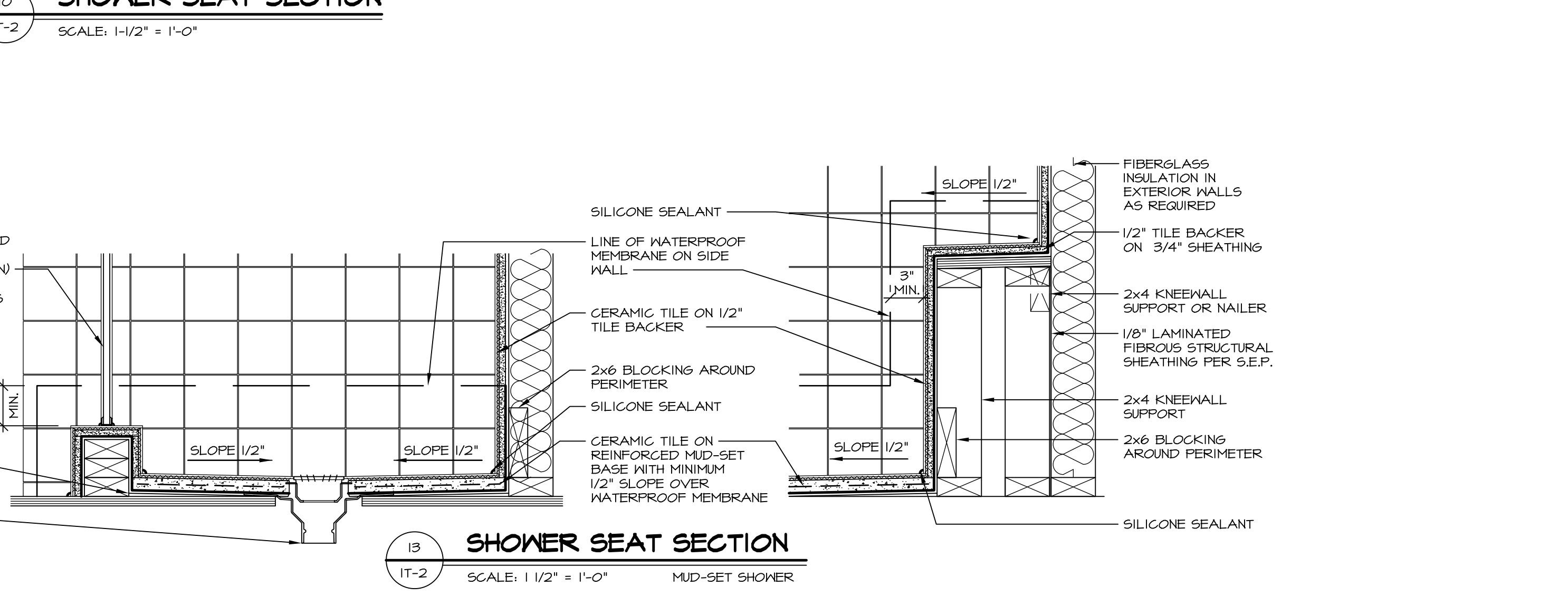
10 SHOWER SEAT SECTION
SCALE: 1/2" = 1'-0"



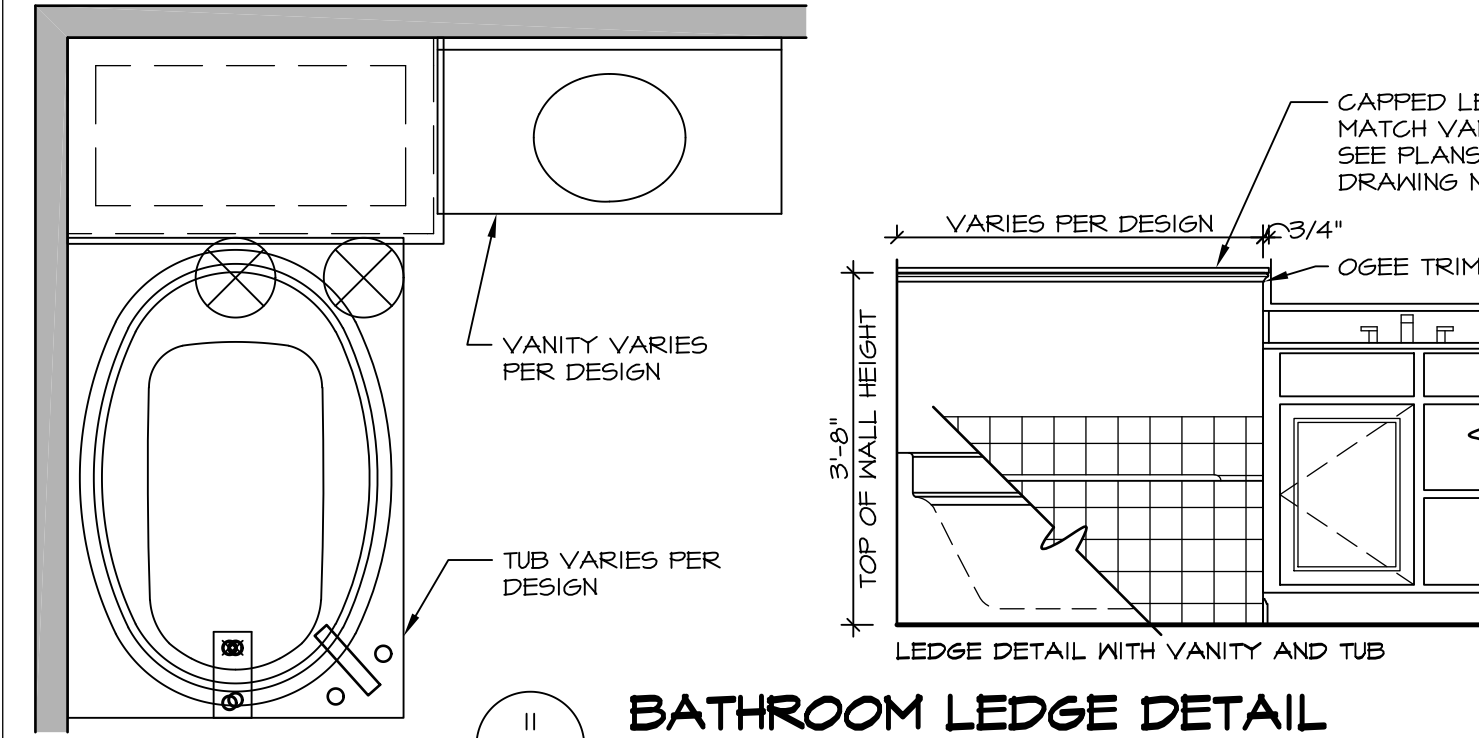
11 BATHROOM LEDGE DETAIL
SCALE: 1/2" = 1'-0"



12 SILL DETAIL
SCALE: 1" = 1'-0"



13 SHOWER SEAT SECTION
SCALE: 1/2" = 1'-0" MUD-SET SHOWER

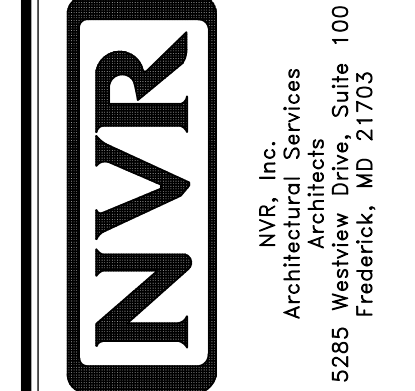


14 BATHROOM LEDGE DETAIL
SCALE: 1/2" = 1'-0"

REVISIONS

REV. NO.	DATE	DESCRIPTION
1	5/1/17	EBP - REVISED DETAIL 1 AND 11 TO REMOVE TUB ACCESS PANEL REF. (DSS #15 5414)
2	9/2/17	EBP - REVISED T-FLY NOTE TO CALL OUT LFS
3	9/2/17	EBP - REVISED NOTE ON DETAIL #1 - REVISED ORDER OF MATERIAL PARA#4934

NVR, Inc., owner, expressly reserves its common law copyright and other property rights in these plans. These plans are not to be reproduced, stored in a retrieval system, or transmitted in any form or by any means, electronic, mechanical, photocopying, recording, or by any information storage and retrieval system, without the prior written consent of NVR, Inc.



SET NO. NVR

VERSION

DRAWN BY

DATE:

OPTION

MODEL STANDARD DETAILS

DRAWING TITLE INTERIOR TRIM DETAILS

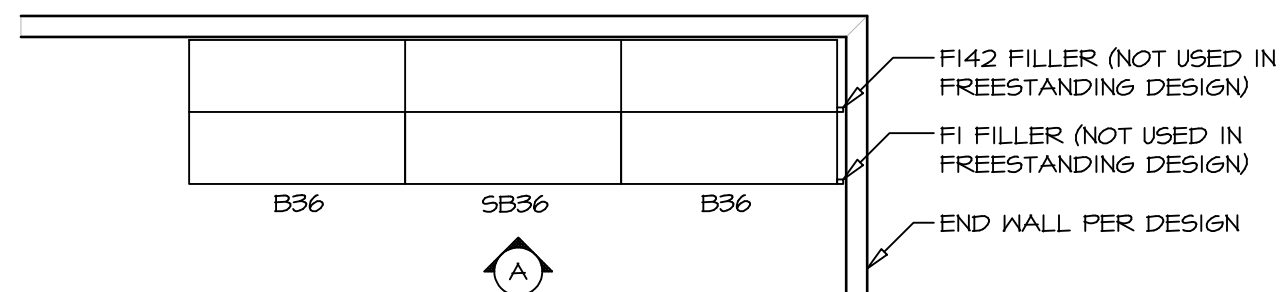
BATH DETAILS

OPTION DESCRIPTION

SHEET NO. IT-2

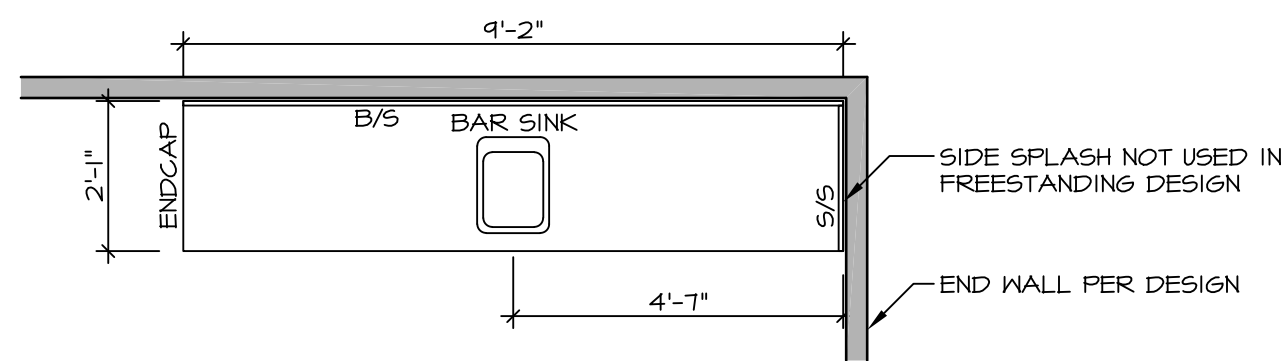
J:\Dwg\NVR\Interior Trim\IT2.dwg 09/27/17 - 9:20 am

NOTE:
REVIEW HOUSE SPECIFIC
PLANS FOR LOCATION
AND HANDING



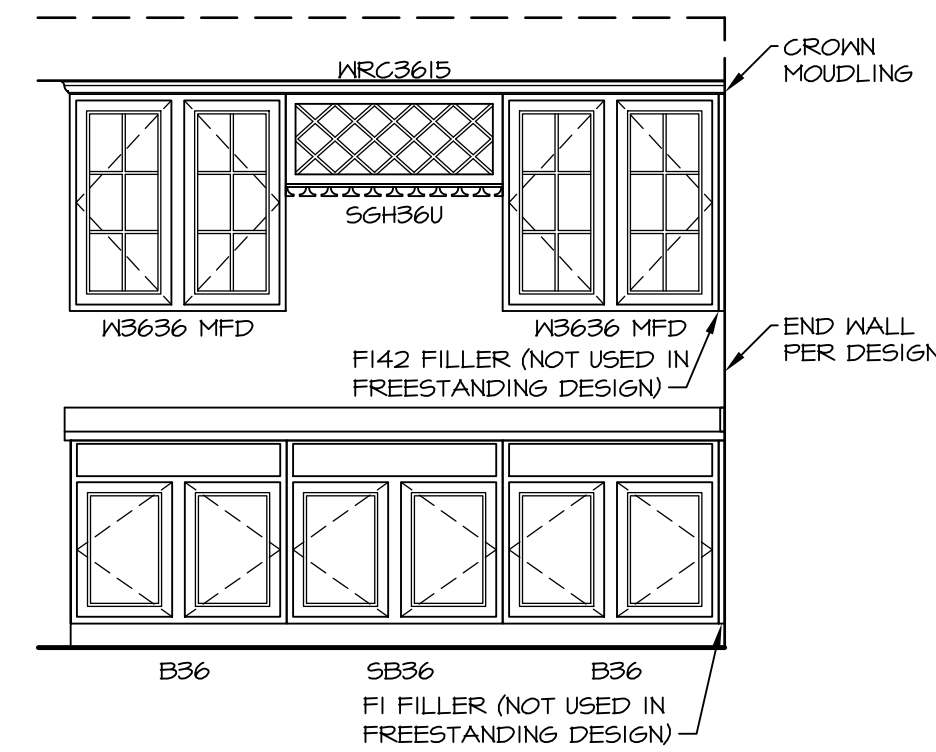
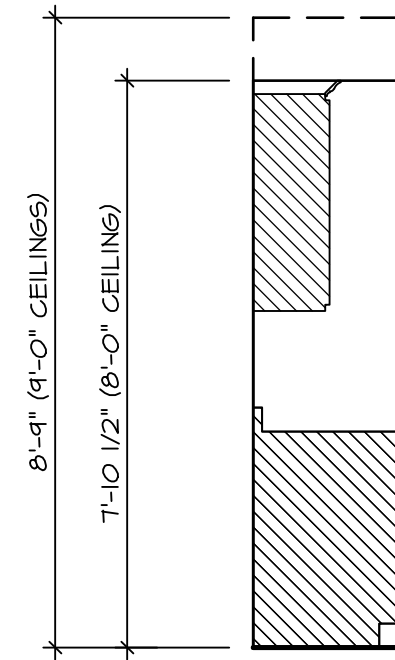
**KITCHEN CABINET
PLAN KC - 1900**

2
IT-3b SCALE: 3/8" = 1'-0"



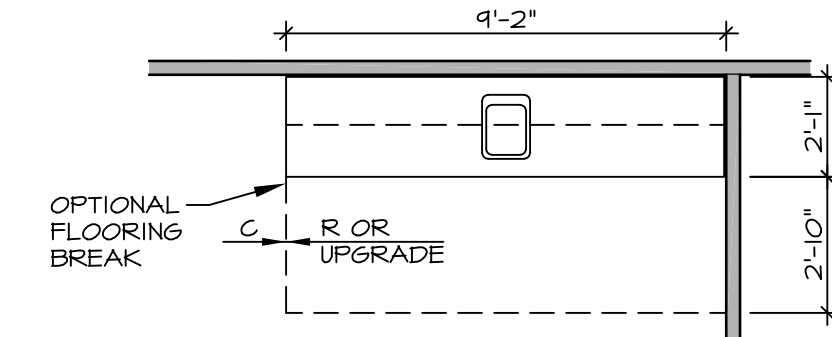
**KITCHEN COUNTERTOP
PLAN KT - 1900**

6
IT-3b SCALE: 3/8" = 1'-0"



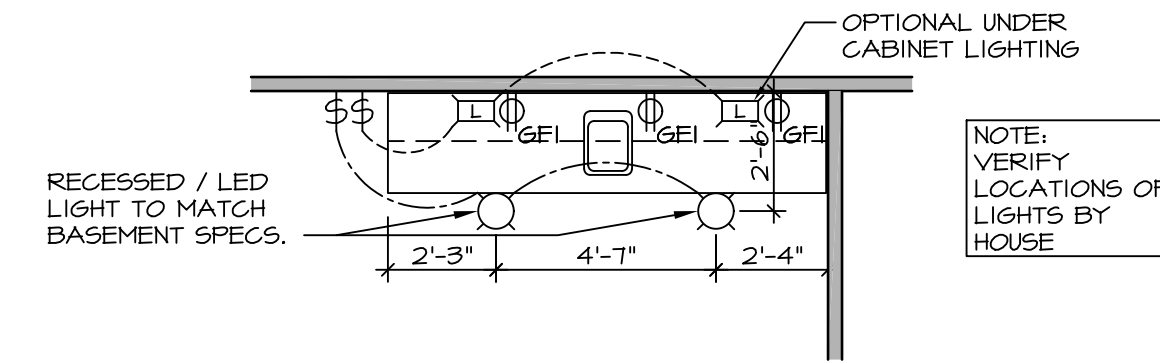
3 ELEVATION "A"

IT-3b SCALE: 3/8" = 1'-0"



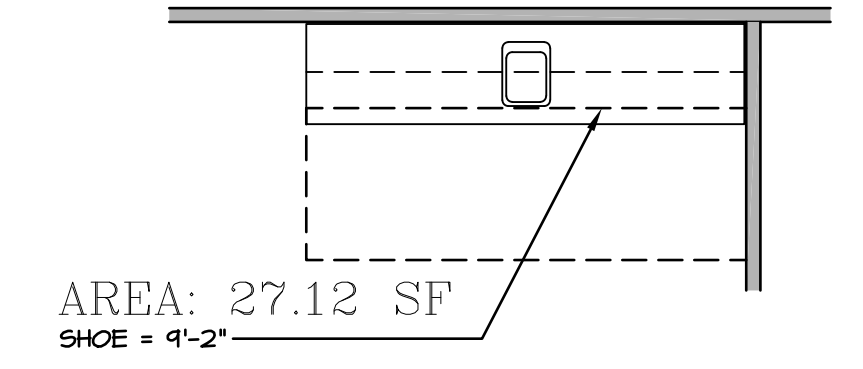
4 FLOOR PLAN

IT-3b SCALE: 1/4" = 1'-0"



7 FLOOR PLAN ELECTRICAL LAYOUT

IT-3b SCALE: 1/4" = 1'-0"



AREA: 27.12 SF
SHOE = 4'-2"

5 FLOORING PLAN

IT-3b SCALE: 1/4" = 1'-0"

1 WET BAR DETAILS

IT-3b SCALE: VARIES * SHOWN AS END WALL DESIGN

SHEET NO.	MODEL	STANDARD DETAILS	SET NO. NVR	REVISION	DATE	OPTION	REMARKS
IT-3b	INTERIOR TRIM DETAILS	WET BAR DETAILS - BACK BAR (RYAN ONLY)	1	5/17/17	5/23/17		1 5/17/17 56A - REVISED FLOOR PLAN DIMENSIONS TO MATCH COUNTERTOP DIMENSIONS
			2	6/5/17	6/5/17		2 5/23/17 56A - REMOVED COUNTERTOP INFORMATION FROM 2/IT-3b
			3	6/5/17	6/5/17		3 6/5/17 56A - REMOVED U.C. REF. AND TURNED OFF FLOORING SPACES
			4	9/14/17	9/14/17		4 9/14/17 EBP - ADDED NOTE TO RECESSED LIGHT / LED LIGHT IN NET BAR

