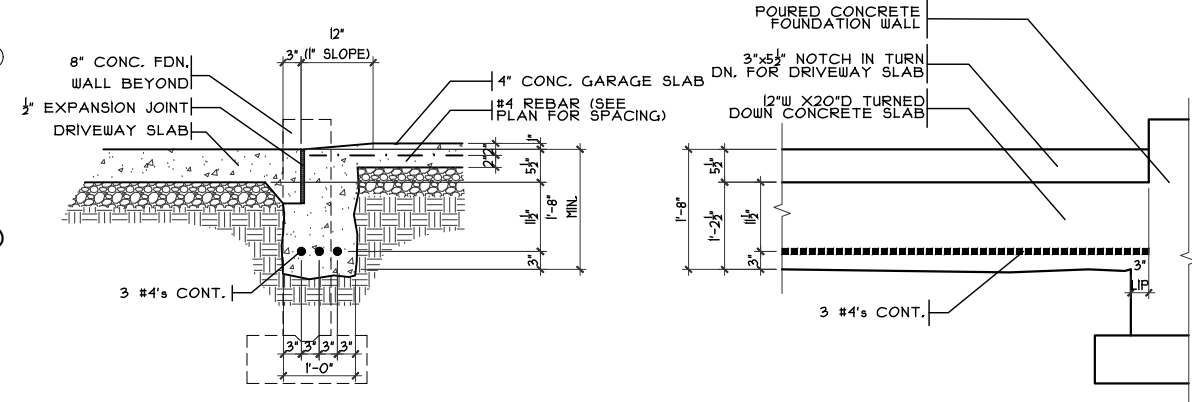


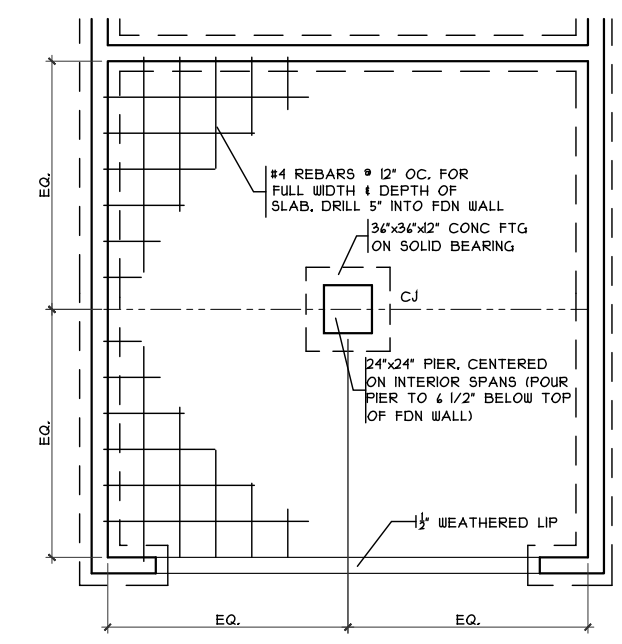
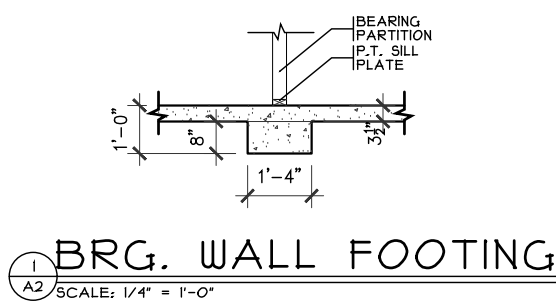
BE 2327  
595 Maxwell Court  
Germantown, OH 45327

2 story basement  
3 pc rough in basement  
Vent kitchen sink  
2 hose bibs with valves  
ice maker  
1 tub  
1 shower  
install pressure regulator on main !!  
Tankless water heater

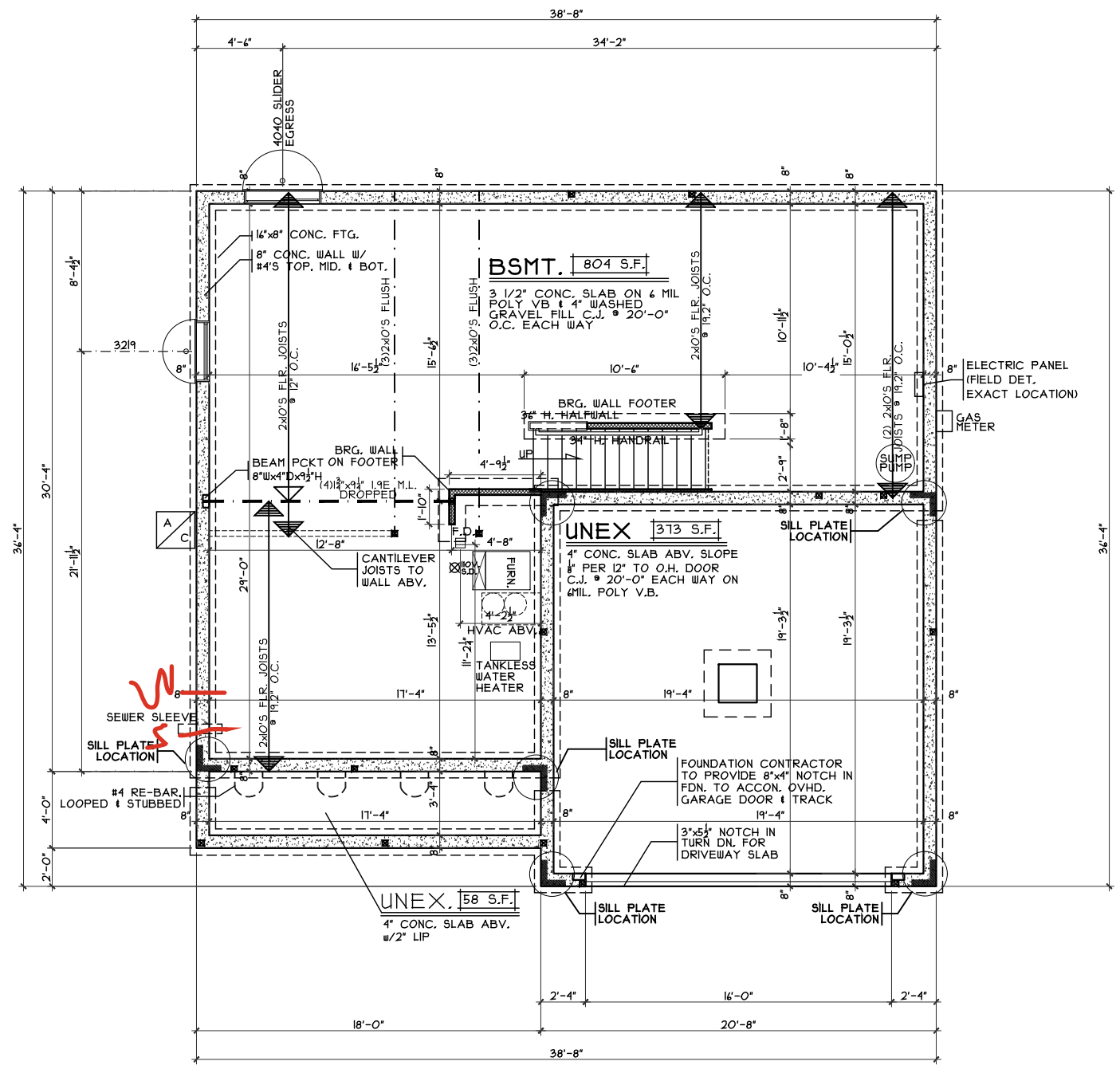
Gas Furnace and tankless heater



**GARAGE DOOR GRADE BM**  
SCALE: 3/8" = 1'-0"



**GRADE BM DETAIL**  
SCALE: 1/8" = 1'-0"



**FOUNDATION PLAN**  
SCALE: 1/8" = 1'-0"

**Foundation Plan**  
Plan: Beaumont Basement  
Date: 5/28/24  
Drawn: JRK  
Scale: As Noted  
Revised: 6/10/24  
Sheet: 3 of 8

**Proposed Residence:**  
Lyttle Residence  
595 Maxwell Court  
Berryview Estates Lot 2327

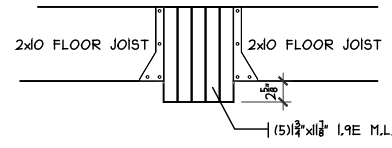
**CRISTO HOMES**  
7594-A Tylers Place Blvd.  
West Chester, OH 45069  
513.755.0570 www.cristohomes.com

**Rennaissance - BE-2327**  
Beaumont - C1 - Vinyl

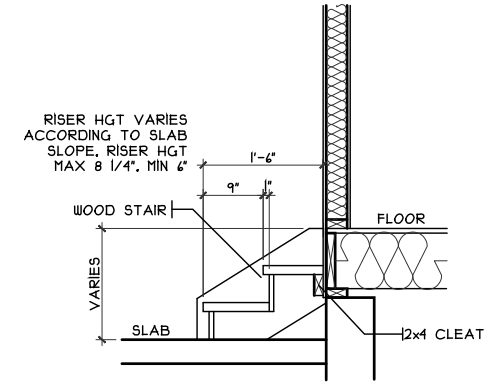
Issue Dates  
Review

Germentown  
Montgomery County

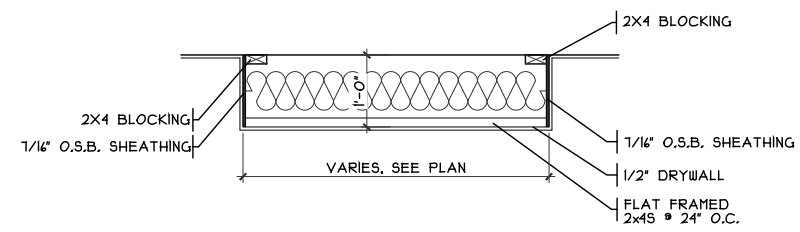
Cristo Homes reserves all property rights in these plans. These plans are not to be reproduced, changed, or copied in any manner. They are not to be given to a third party, either in full or in part, without first receiving written permission from Cristo Homes. In the event these plans are used by a third party, Cristo Homes shall be held harmless.



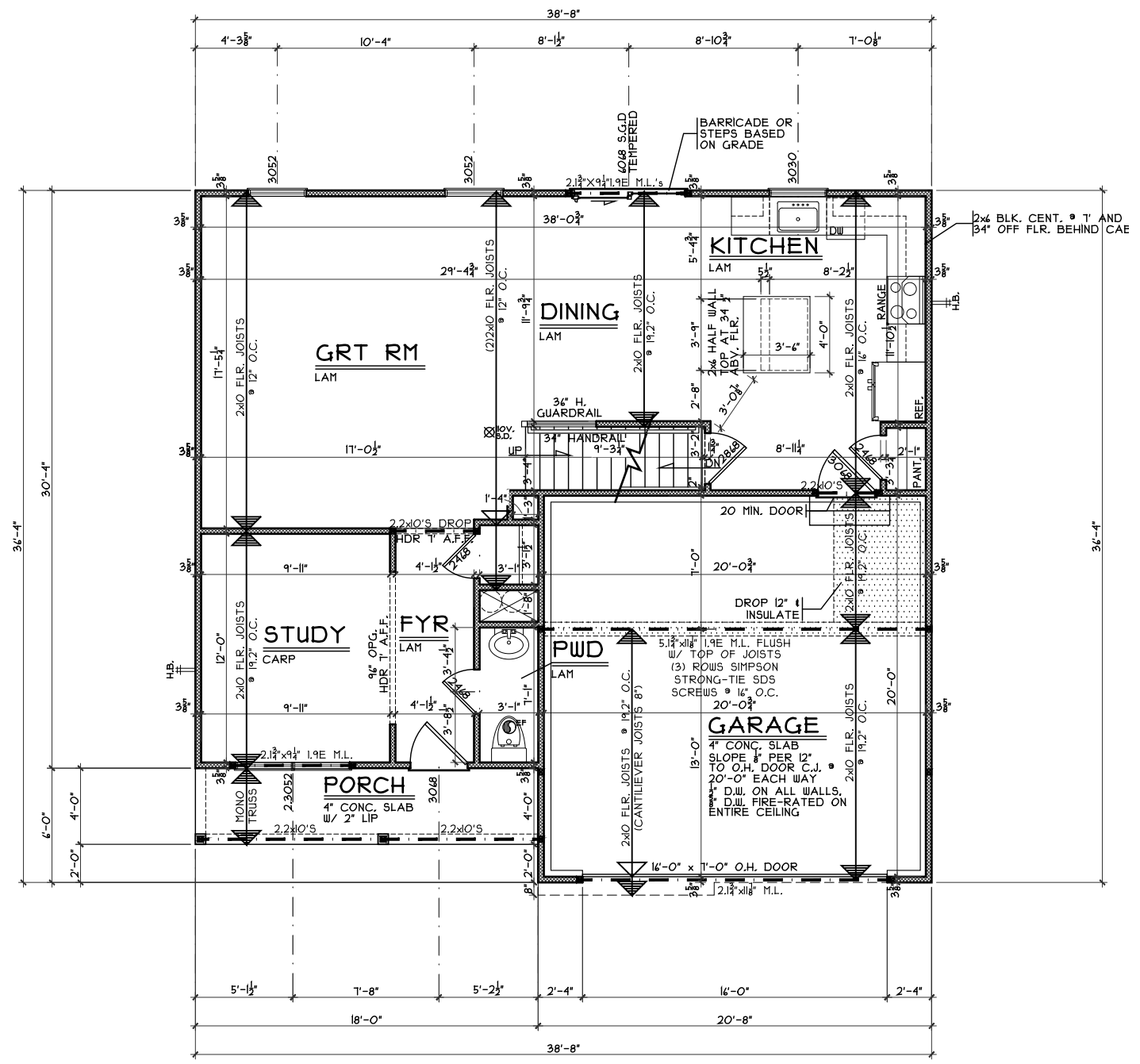
**GARAGE BEAM DETAIL**  
SCALE: 1/8" = 1'-0"



**GARAGE STEPS**  
SCALE: 1/8" = 1'-0"



**DROP CLG. DETAIL**  
SCALE: 1/8" = 1'-0"



**FIRST FLOOR PLAN**  
SCALE: 1/8" = 1'-0" 882 S.F.

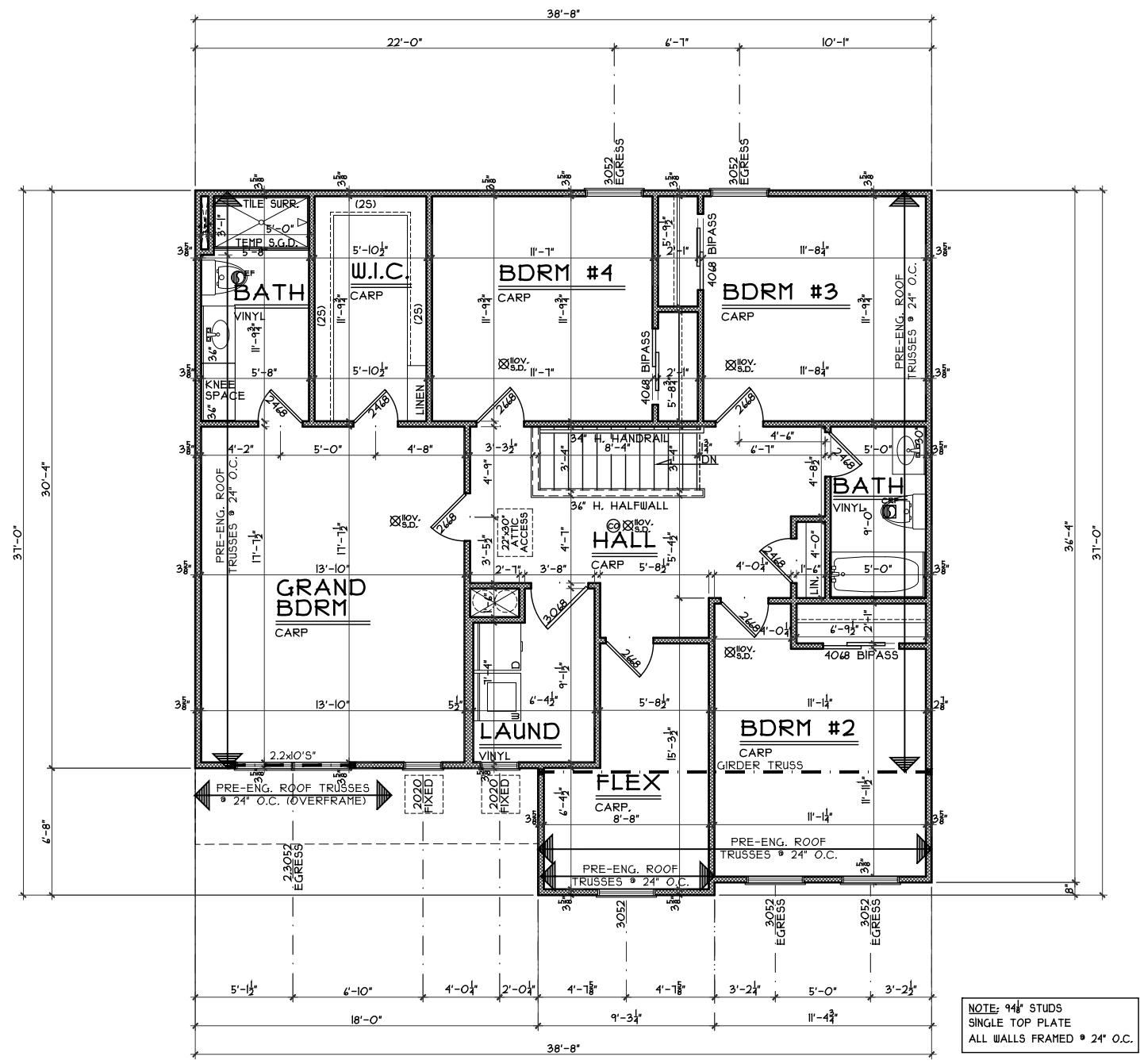
**First Floor Plan**  
Plan: Beaumont Basement  
Date: 5/28/24  
Drawn: JRK  
Scale: As Noted  
Revised: 6/10/24  
Sheet: 4 of 8

**Renaissance - BE-2327**  
Proposed Residence:  
Lyttle Residence  
595 Maxwell Court  
Berryview Estates Lot 2327

**Beaumont - C1 - Vinyl**  
Germentown  
Montgomery County

Cristo Homes reserves all property rights in these plans. These plans are not to be reproduced, changed, or copied in any manner. They are not to be given to a third party, either in full or in part, without first receiving written permission from Cristo Homes. In the event these plans are used by a third party, Cristo Homes shall be held harmless.

Issue Dates	Review



**SECOND FLOOR PLAN**  
SCALE: 1/8" = 1'-0" 1210 S.F

NOTE: 94# STUDS  
SINGLE TOP PLATE  
ALL WALLS FRAMED • 24" O.C.

Second Floor Plan

Plan: Beaumont Basement  
Date: 5/28/24  
Drawn: JRK  
Scale: As Noted  
Revised: 6/10/24  
Sheet: 5 of 8

Renaissance - BE-2327

Proposed Residence:  
Lyttle Residence  
595 Maxwell Court  
Berryview Estates Lot 2327

Beaumont - C1 - Vinyl

Cristo Homes reserves all property rights in these plans. These plans are not to be reproduced, changed, or copied in any manner. They are not to be given to a third party, either in full or in part, without first receiving written permission from Cristo Homes. In the event these plans are used by a third party, Cristo Homes shall be held harmless.

Issue Dates

Review	Issue Dates

**CRISTO HOMES**  
7594-A Tylers Place Blvd.  
West Chester, OH 45069  
513.755.0570 www.cristohomes.com

Montgomery County  
Germantown

A4