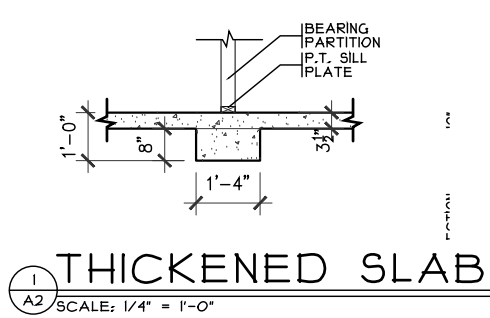


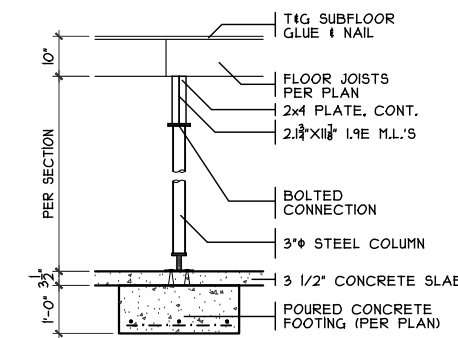
BE 2329  
583 Maxwell Court  
Germantown, OH 45327

2 story basement  
3 pc rough  
vent kitchen sink  
2 hose bibs with valves  
ice maker  
1 tub  
1 shower  
laundry tub  
install pressure regulator on main !!

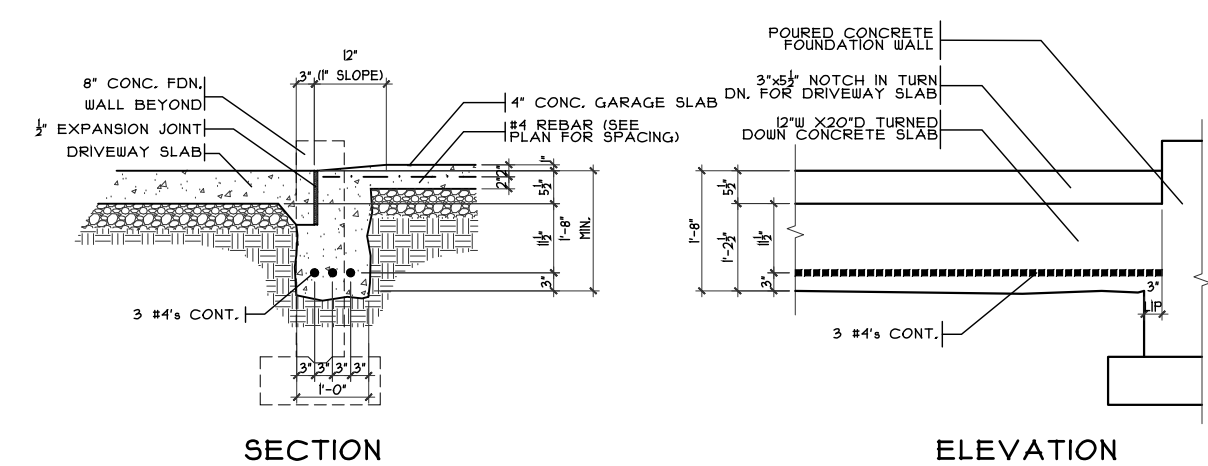
Gas Furnace



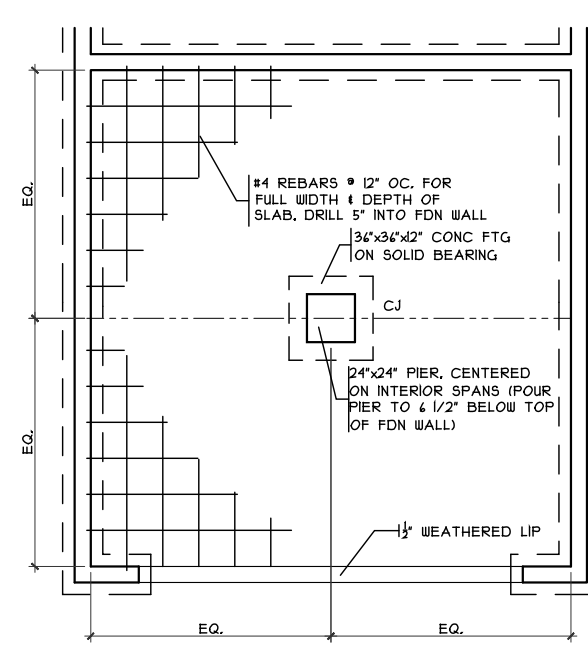
**THICKENED SLAB**  
 SCALE: 1/4" = 1'-0"



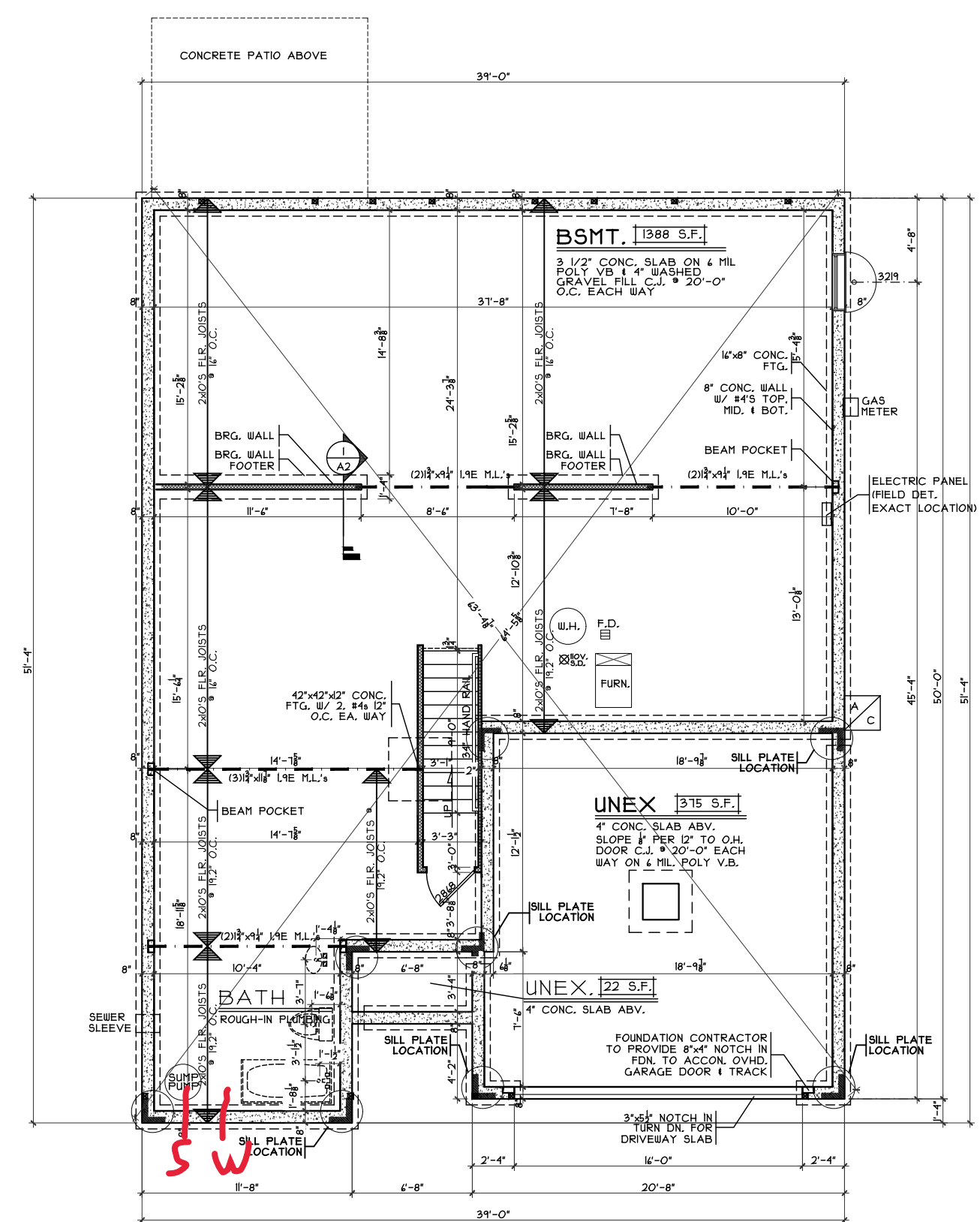
**COLUMN DETAIL**  
 SCALE: 1/4" = 1'-0"



**GARAGE DOOR GRADE BM**  
 SCALE: 3/8" = 1'-0"



**GRADE BM DETAIL**  
 SCALE: 1/8" = 1'-0"



**FOUNDATION PLAN**  
 SCALE: 1/8" = 1'-0"

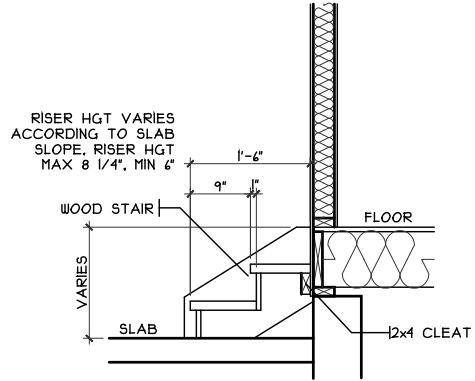
Foundation Plan  
 Plan: Marion Basement  
 Date: 2/26/24  
 Drawn: JRK  
 Scale: As Noted  
 Revised: 3/1/24  
 Sheet: 3 of 7

Proposed Residence:  
 SPEC  
 583 Maxwell Court  
 Berryview Estates Lot 2329  
 Montgomery County  
 Germantown

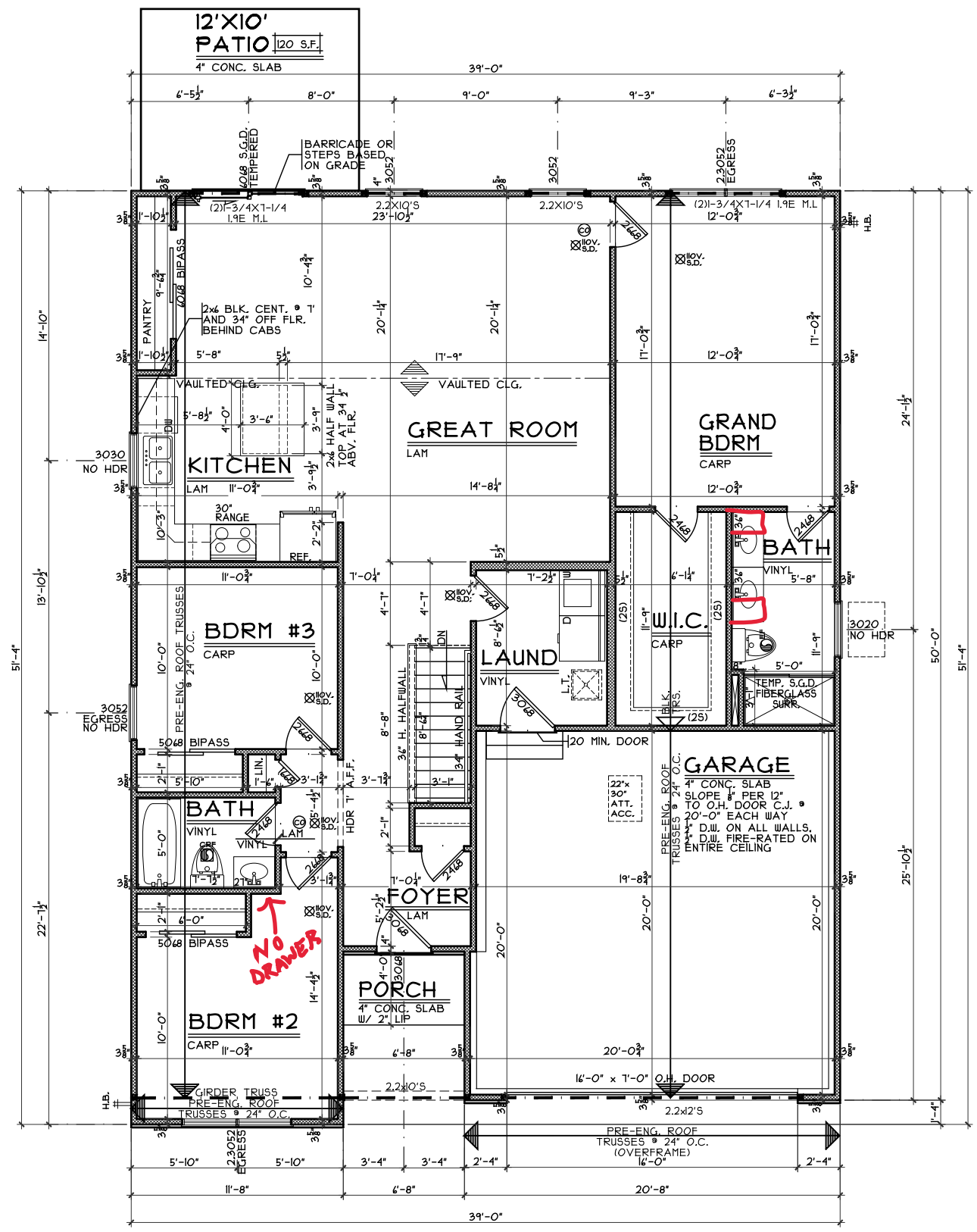
Renaissance - BE-2329  
 Marion Basement - C2 - Vinyl

Cristo Homes reserves all property rights in these plans. These plans are not to be reproduced, changed, or copied in any manner. They are not to be given to a third party, either in full or in part, without first receiving written permission from Cristo Homes. In the event these plans are used by a third party, Cristo Homes shall be held harmless.

**CRISTO HOMES**  
 7594-A Tylers Place Blvd.  
 West Chester, OH 45069  
 513.795.0570 www.cristohomes.com



**GARAGE STEPS**  
SCALE: 1/8" = 1'-0"



**FIRST FLOOR PLAN**  
SCALE: 1/8" = 1'-0" 1500 S.F.

Marion Basement - C2 - Vinyl  
 Cristo Homes reserves all property rights in these plans. These plans are not to be reproduced, changed, or copied in any manner. They are not to be given to a third party, either in full or in part, without first receiving written permission from Cristo Homes. In the event these plans are used by a third party, Cristo Homes shall be held harmless.

Rennaissance - BE-2329  
 Proposed Residence:  
 SPEC  
 583 Maxwell Court  
 Berryview Estates Lot 2329  
 Montgomery County  
 Germantown

7594-A Tylers Place Blvd.  
 West Chester, OH 45069  
 513.795.0570 www.cristohomes.com

Plan: Marion Basement  
 Date: 2/26/24  
 Drawn: JRK  
 Scale: As Noted  
 Revised: 3/1/24  
 Sheet: 4 of 7

**A3**