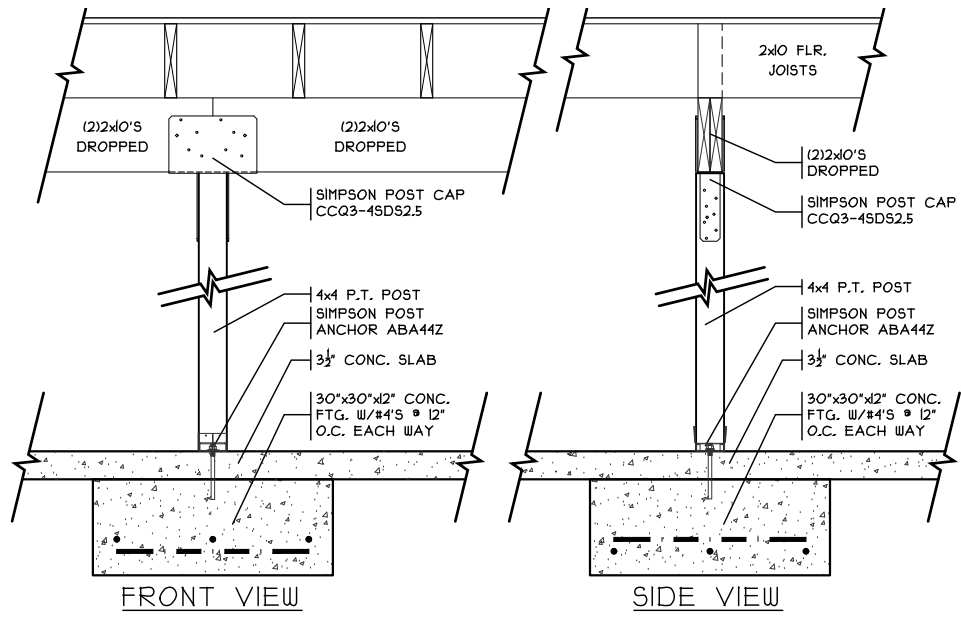


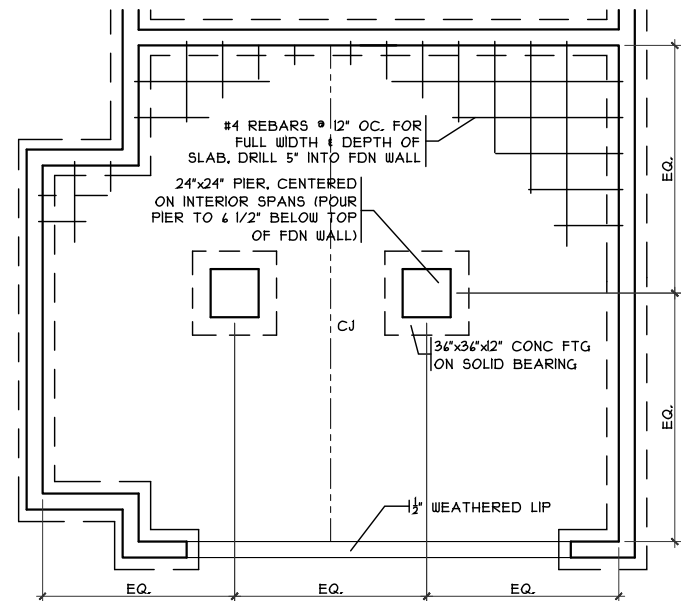
BE 2331
571 Maxwell Court
Germantown, OH 45327

1 story basement
Full bath basement
Softener Bypass
Laundry Tub
AA on kitchen sink
2 hose bibs with valves
ice maker
2 tubs
1 shower
install pressure regulator on main !!

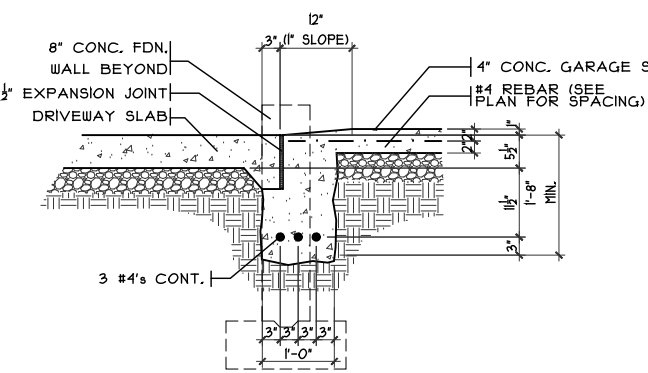
Gas Furnace



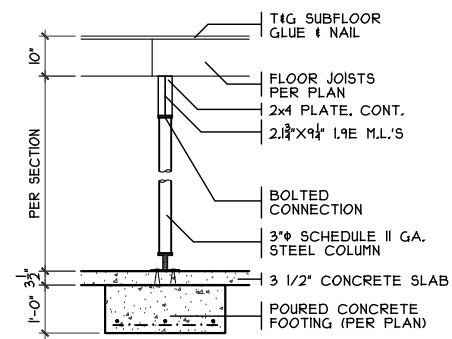
POST CONNECTION DETAIL
 SCALE: 1/2" = 1'-0"



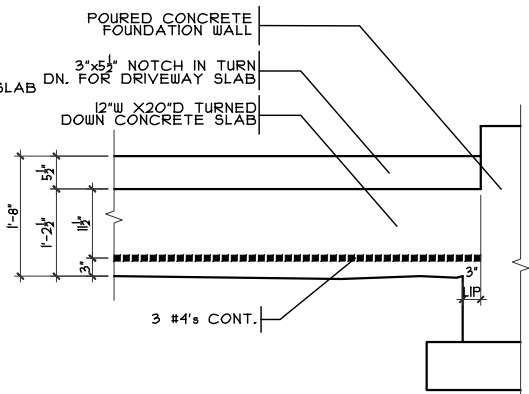
GRADE BM DETAIL
 SCALE: 1/8" = 1'-0"



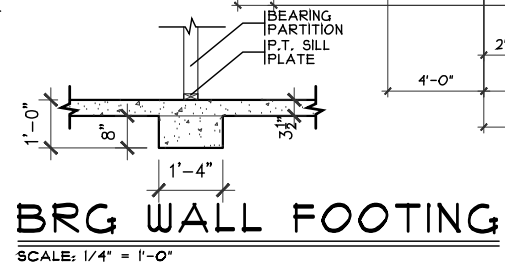
SECTION GARAGE DOOR GRADE BM
 SCALE: 3/8" = 1'-0"



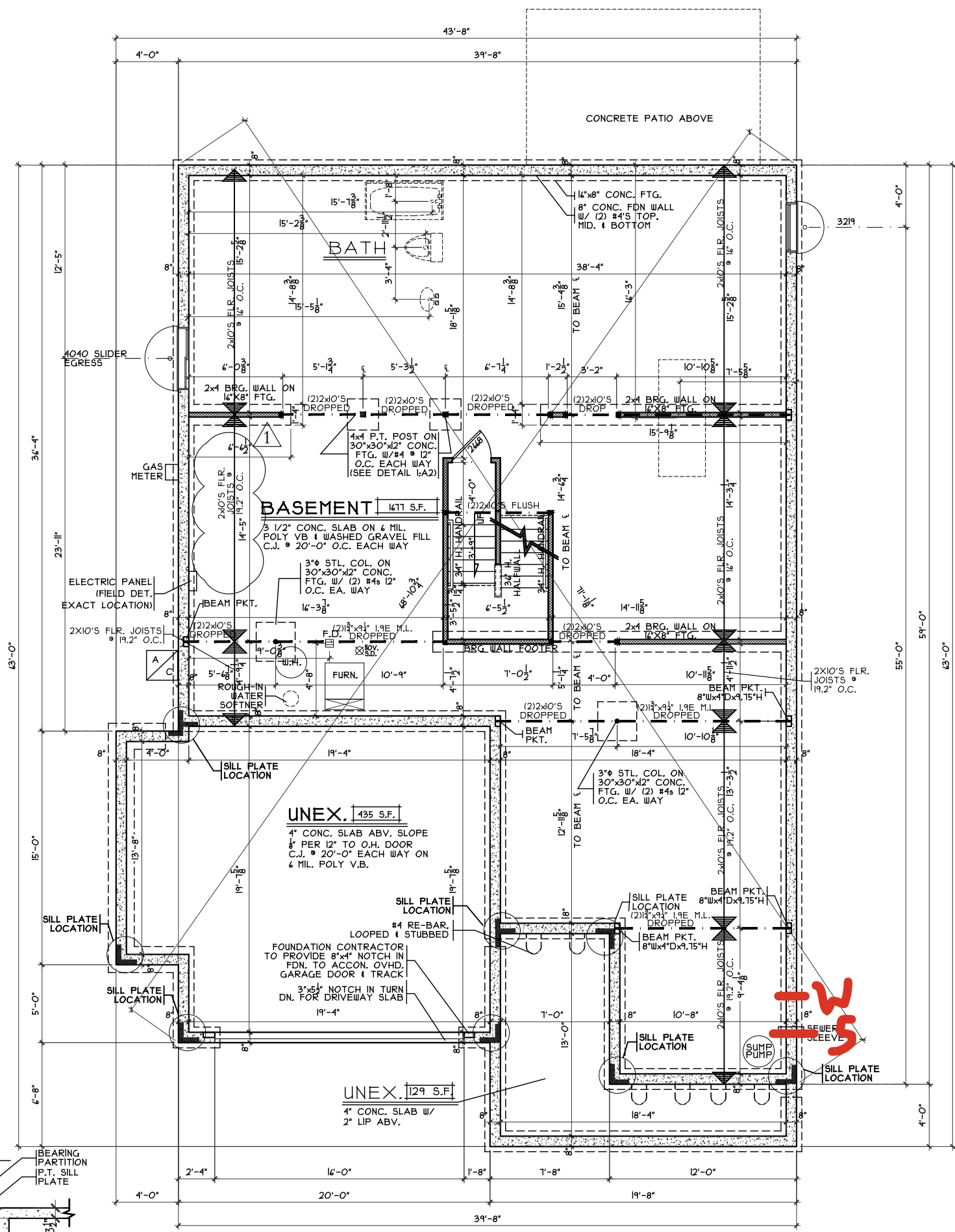
COLUMN DETAIL
 SCALE: 1/8" = 1'-0"



ELEVATION



BRG WALL FOOTING
 SCALE: 1/4" = 1'-0"



FOUNDATION PLAN
 SCALE: 1/8" = 1'-0"

NOTE:
 ■ DENOTES BEARING CRIPPLES, THERE SHOULD BE ONE CRIPPLE FOR EACH BEARING MEMBER, CONTINUOUS TO SOLID BEARING BELOW.

Foundation Plan

Plan: Mayfair II
 Date: 6.10.2024
 Drawn: JRK
 Scale: As Noted
 Revised:
 Sheet: 3 of 8

Prestige - BE-2331

Proposed Residence:
 Schwartz Residence
 571 Maxwell Court
 Berryview Estates Lot 2331

Mayfair II - Vinyl

Cristo Homes reserves all property rights in these plans. These plans are not to be reproduced, changed, or copied in any manner. They are not to be given to a third party, either in full or in part, without first receiving written permission from Cristo Homes. In the event these plans are used by a third party, Cristo Homes shall be held harmless.

Issue Dates

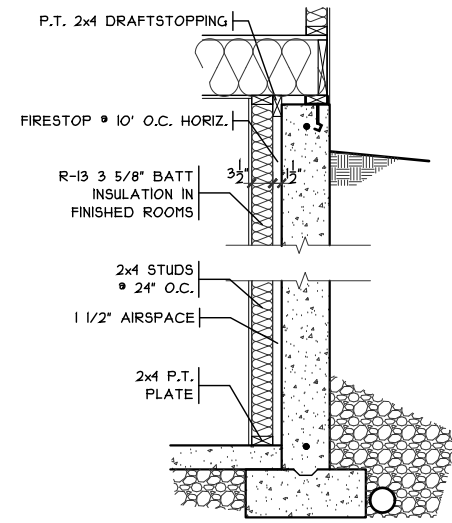
Review



7894 A Tyers Place Blvd.
 West Chester, OH 45389
 513.755.0570 • www.cristohomes.com

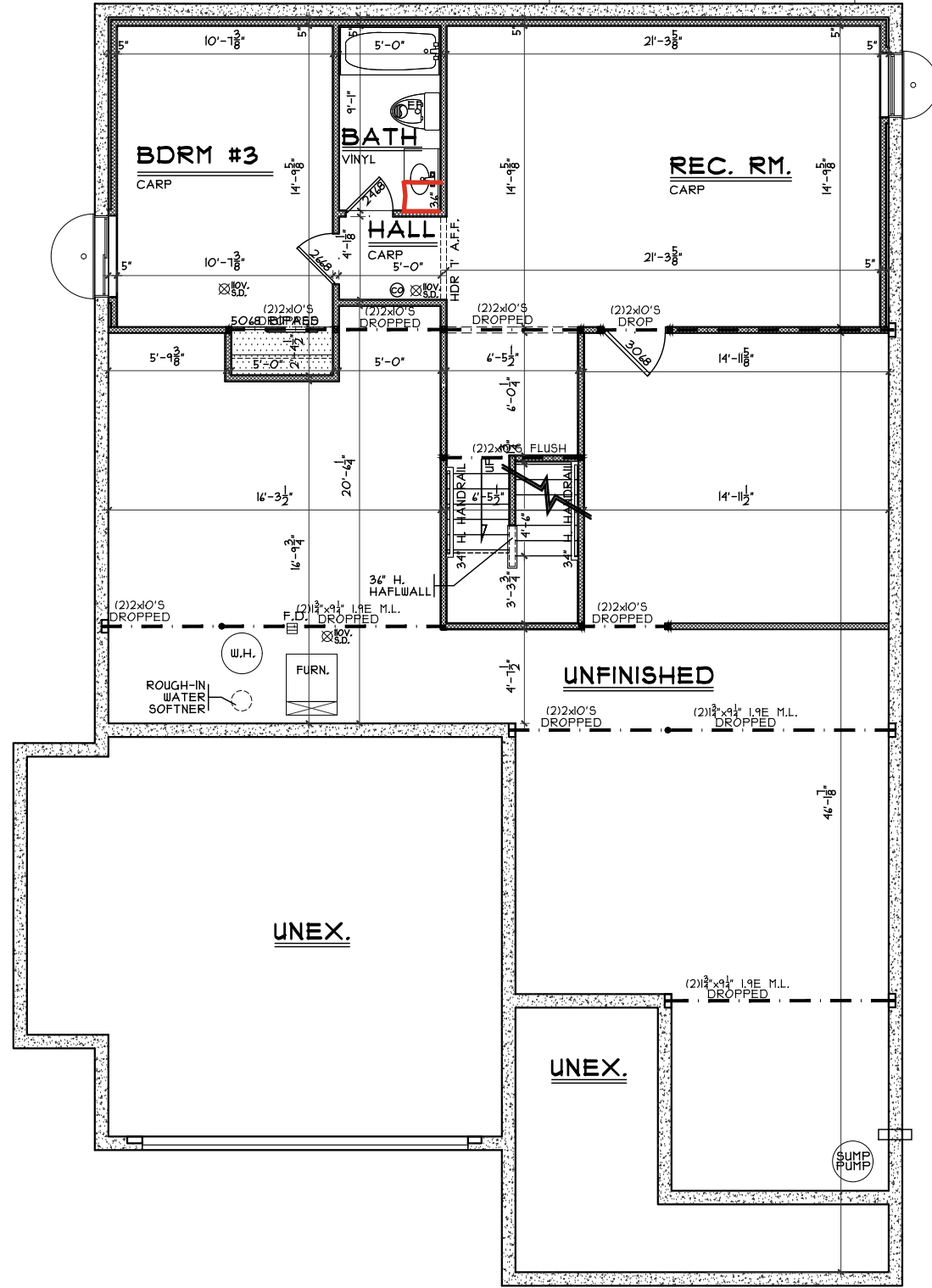
Germantown
 Montgomery County

A2



FIN. LL WALL DETAIL

SCALE: 3/8" = 1'-0"



FINISHED LOWER LEVEL

SCALE: 1/8" = 1'-0"

435 SQ. FT.

Finished Lower Level

Plan: Mayfair II
Date: 6.10.2024
Drawn: JRC
Scale: As Noted
Revised:
Sheet: 4 of 8

Prestige - BE-2331

Proposed Residence:

Schwartz Residence
571 Maxwell Court

Berryview Estates Lot 2331

Germantown
Montgomery County

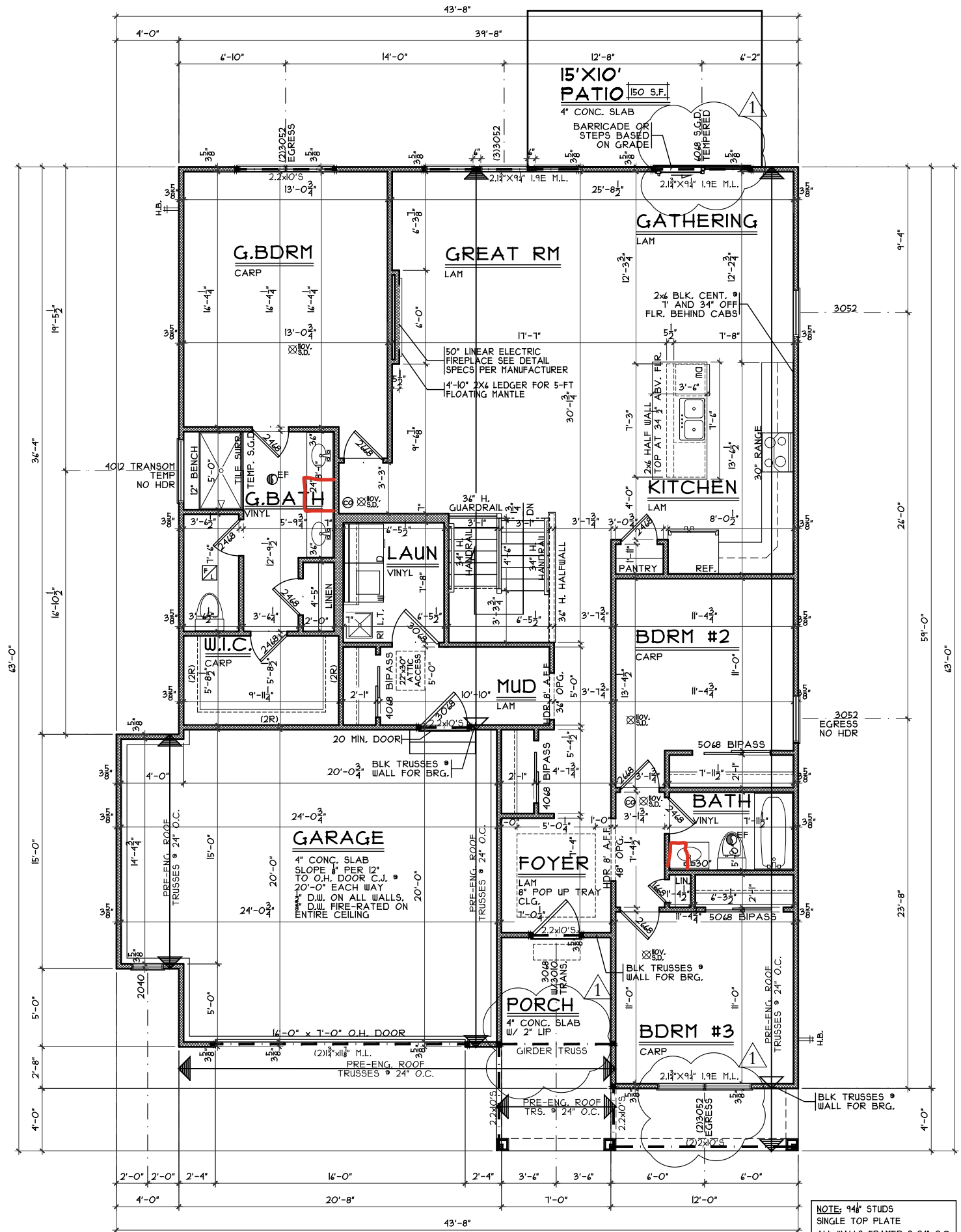
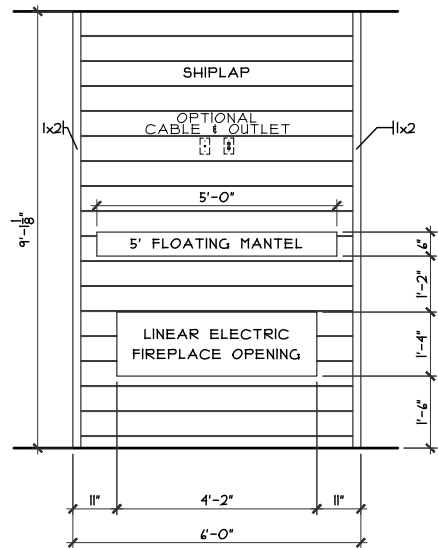
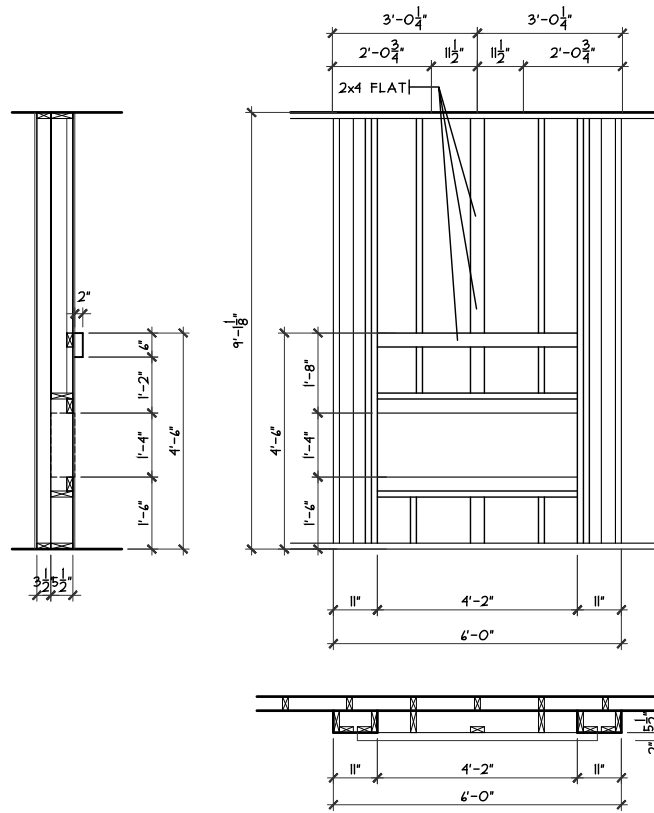
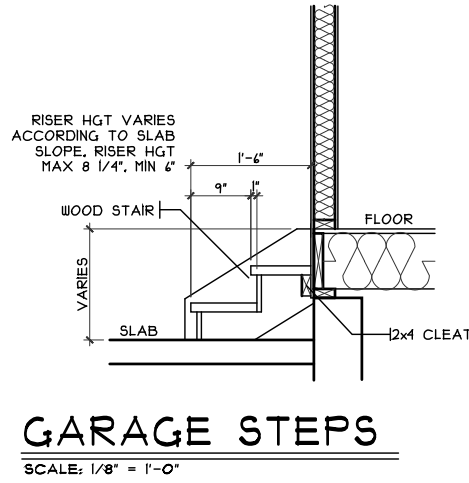
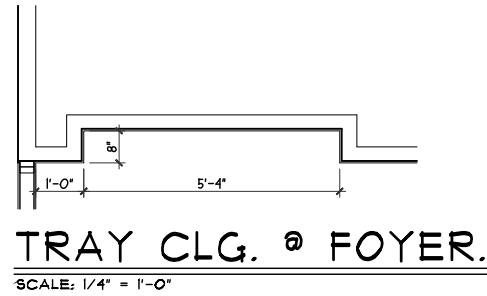
Mayfair II - D1 - Vinyl

Cristo Homes reserves all property rights in these plans. These plans are not to be reproduced, changed, or copied in any manner. They are not to be given to a third party, either in full or in part, without first receiving written permission from Cristo Homes. In the event these plans are used by a third party, Cristo Homes shall be held harmless.

Issue Dates

Review

A2a



NOTE: 94# STUDS SINGLE TOP PLATE ALL WALLS FRAMED @ 24" O.C.

First Floor Plan

Plan: Mayfair II
Date: 6.10.2024
Drawn: JRK
Scale: As Noted
Revised:
Sheet: 5 of 8

Prestige - BE-2331

Proposed Residence:
Schwartz Residence
571 Maxwell Court
Berryview Estates Lot 2331

Mayfair II - D1 - Vinyl

Cristo Homes reserves all property rights in these plans. These plans are not to be reproduced, changed, or copied in any manner. They are not to be given to a third party, either in full or in part, without first receiving written permission from Cristo Homes. In the event these plans are used by a third party, Cristo Homes shall be held harmless.

Issue Dates

Review

Germantown
Montgomery County



A3