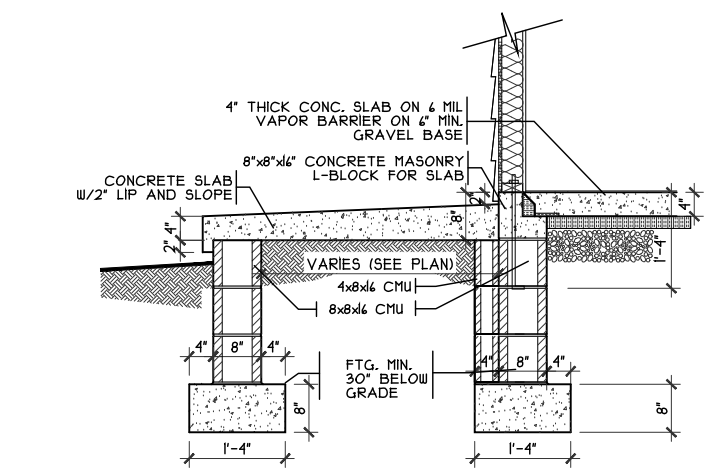


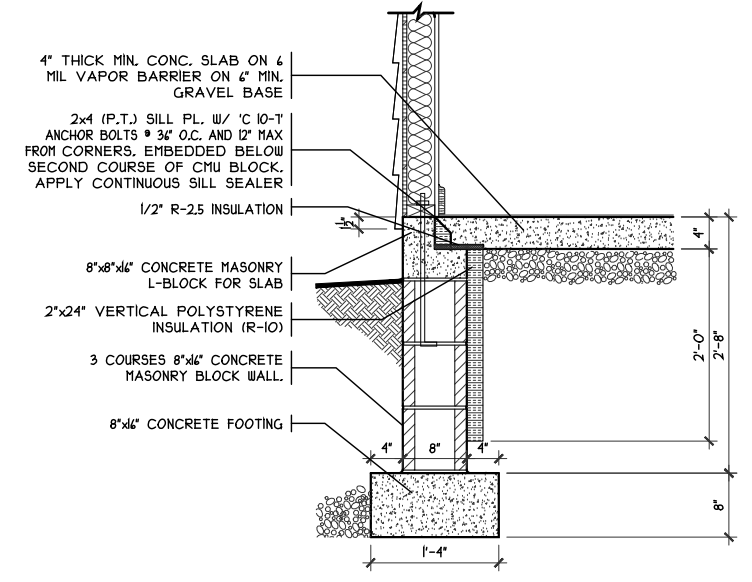
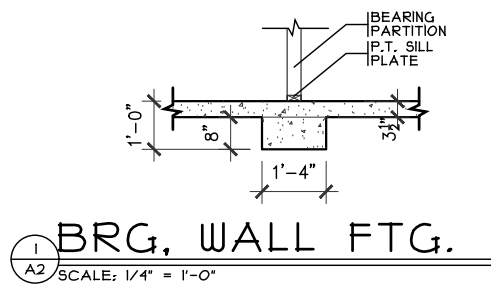
BE 2335  
568 Maxwell Court  
Germantown, OH 45327

2 story slab  
AA on kitchen sink  
2 hose bibs with valves  
ice maker  
2 tubs  
install pressure regulator on main !!

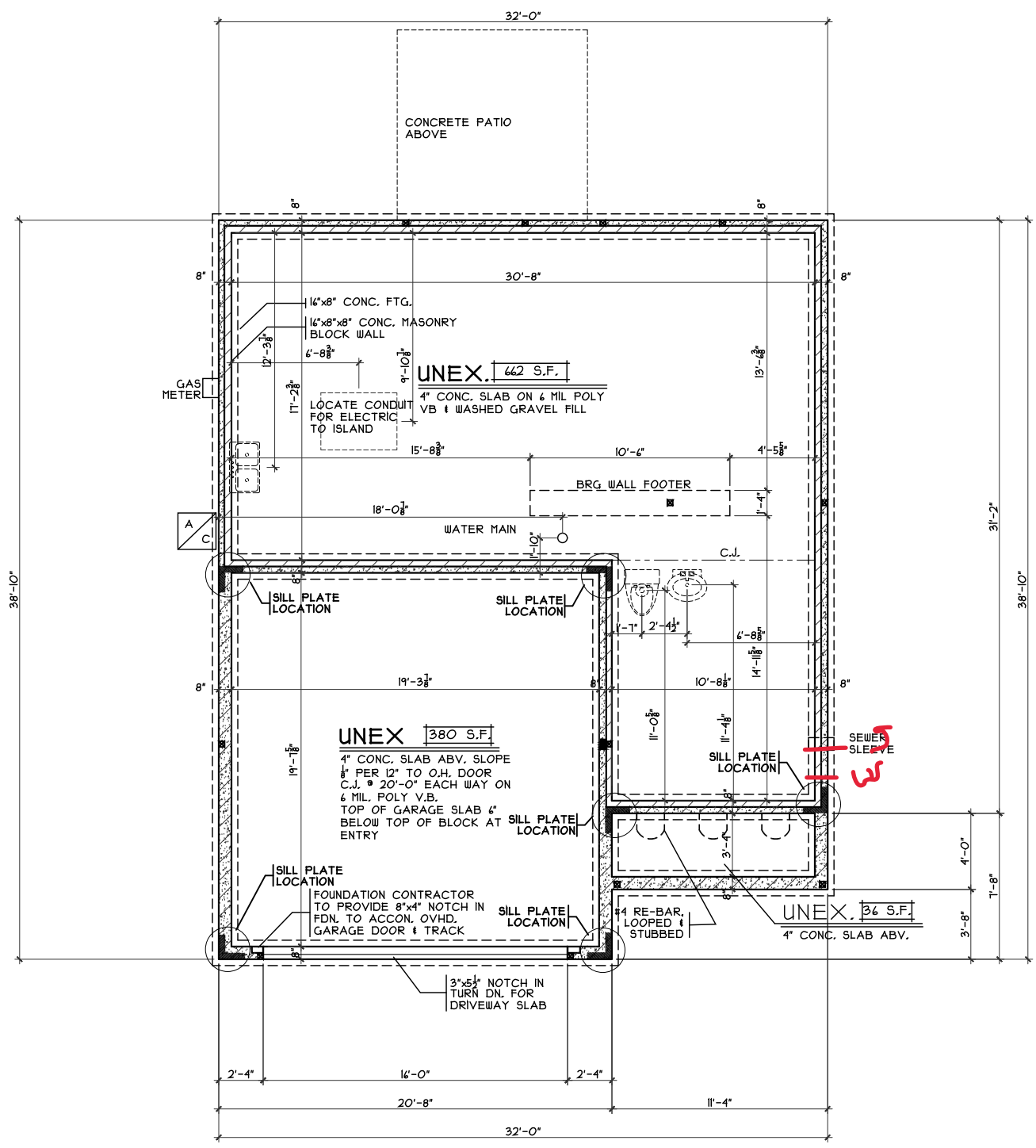
Gas Furnace



**PORCH DETAIL**  
 SCALE: 3/8" = 1'-0"



**SOG DETAIL**  
 SCALE: 1/8" = 1'-0"



**FOUNDATION PLAN**  
 SCALE: 1/8" = 1'-0"

**Foundation Plan**  
 Plan: Tyndale Slab  
 Date: 4.1.2024  
 Drawn: JRK  
 Scale: As Noted  
 Revised: 4.16.2024  
 Sheet: 3 of 8

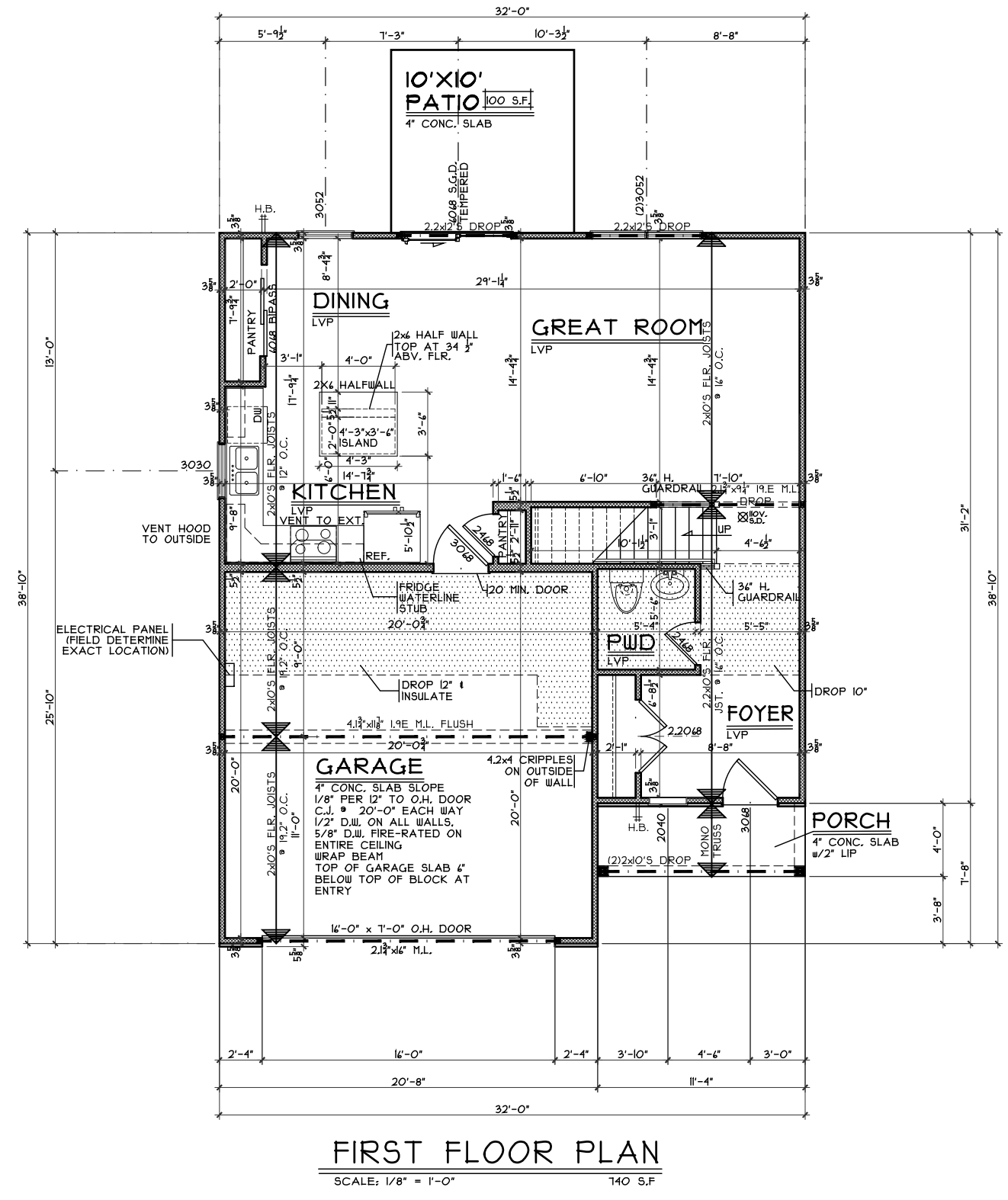
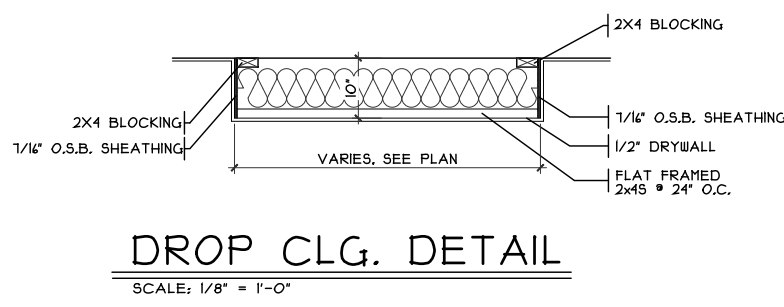
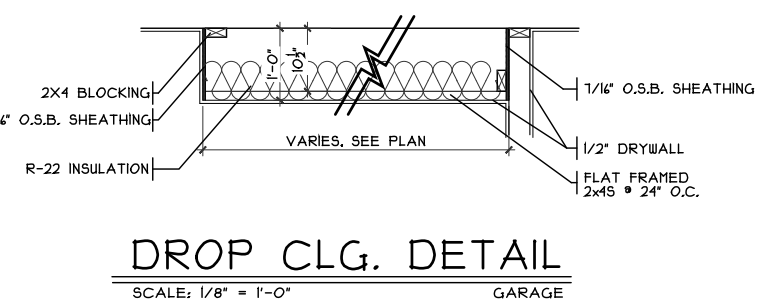
**Proposed Residence:**  
 Nagy Residence  
 568 Maxwell Court  
 Berryview Estates Lot 2335  
 Montgomery County  
 Germantown

**CRISTO HOMES**  
 7594-A Tylers Place Blvd.  
 West Chester, OH 45069  
 513.755.0570 www.cristohomes.com

**Tyndale Slab - D2 - Vinyl**  
 Cristo Homes reserves all property rights in these plans. These plans are not to be reproduced, changed, or copied in any manner. They are not to be given to a third party, either in full or in part, without first receiving written permission from Cristo Homes. In the event these plans are used by a third party, Cristo Homes shall be held harmless.

**Issue Dates**

Review	Issue Dates



**First Floor Plan**  
Plan: Tyndale Slab  
Date: 4.1.2024  
Drawn: JRK  
Scale: As Noted  
Revised: 4.16.2024  
Sheet: 4 of 8

**Proposed Residence:**  
Nagy Residence  
568 Maxwell Court  
Berryview Estates Lot 2335  
Montgomery County  
Germantown

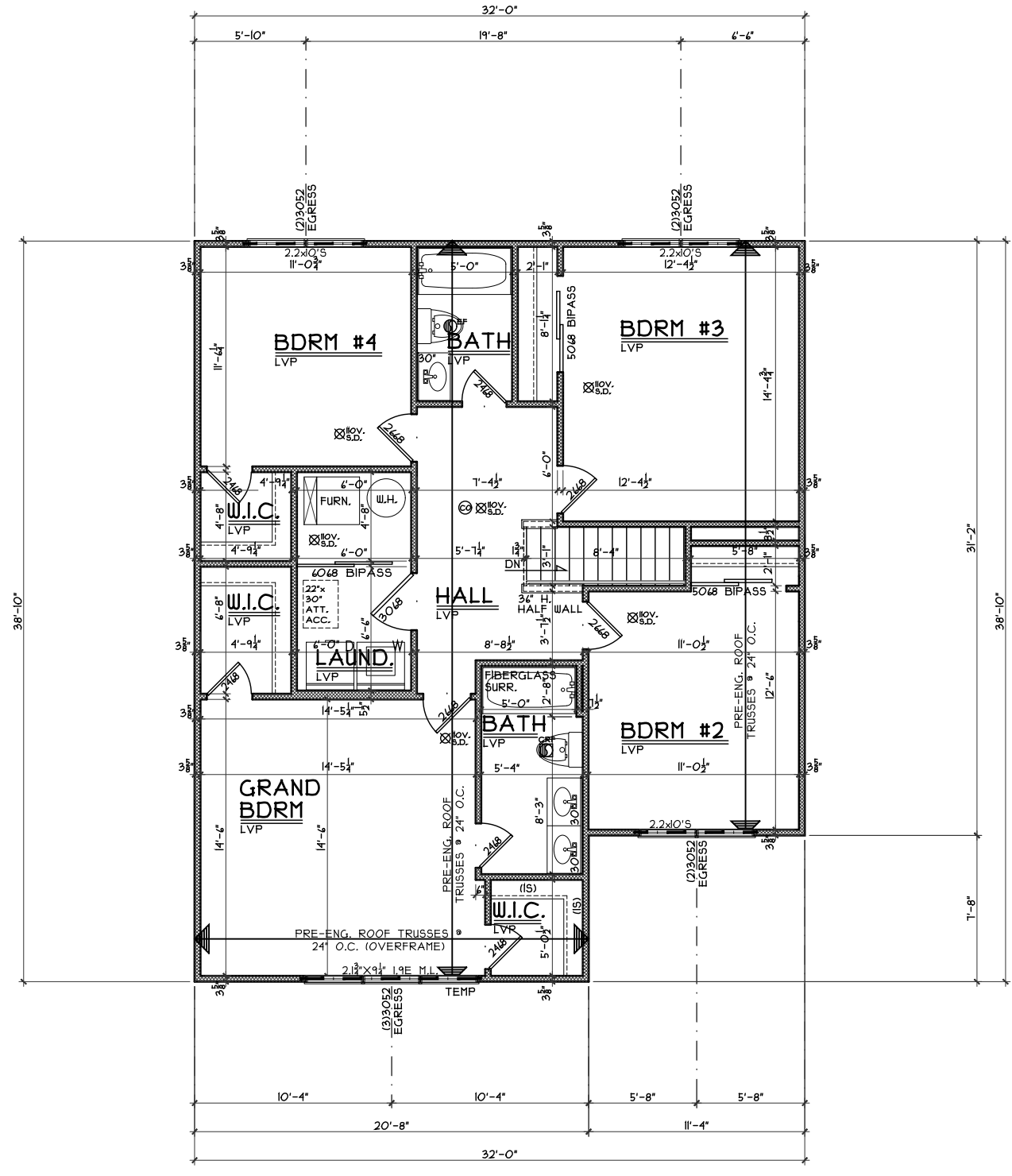
**CRISTO HOMES**  
7944 Tylers Place Blvd.  
West Chester, OH 45069  
513.755.0570 www.cristohomes.com

**Issue Dates**

Review	Issue Dates

**Lyndale Slab - D2 - Vinyl**  
Cristo Homes reserves all property rights in these plans. These plans are not to be reproduced, changed, or copied in any manner. They are not to be given to a third party, either in full or in part, without first receiving written permission from Cristo Homes. In the event these plans are used by a third party, Cristo Homes shall be held harmless.

A3



**SECOND FLOOR PLAN**  
SCALE: 1/8" = 1'-0" 1130 S.F

Second Floor Plan

Plan: Tyndale Slab  
Date: 4.1.2024  
Drawn: JRK  
Scale: As Noted  
Revised: 4.16.2024  
Sheet: 5 of 8

Renaissance - BE-2335

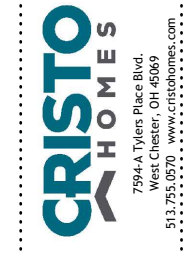
Proposed Residence:  
Nagy Residence  
568 Maxwell Court  
Berryview Estates Lot 2335

Tyndale Slab - D2 - Vinyl

Cristo Homes reserves all property rights in these plans. These plans are not to be reproduced, changed, or copied in any manner. They are not to be given to a third party, either in full or in part, without first receiving written permission from Cristo Homes. In the event these plans are used by a third party, Cristo Homes shall be held harmless.

Issue Dates

Review	Issue Dates



Germantown  
Montgomery County

A4