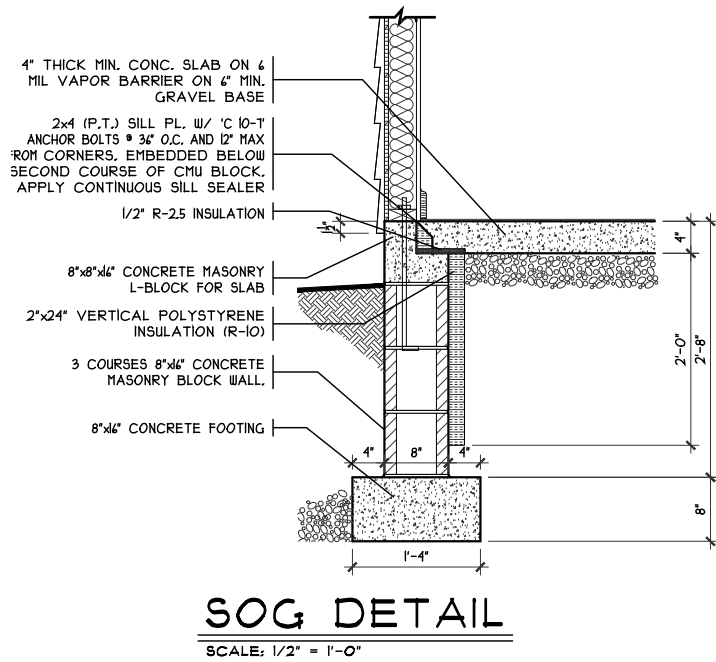
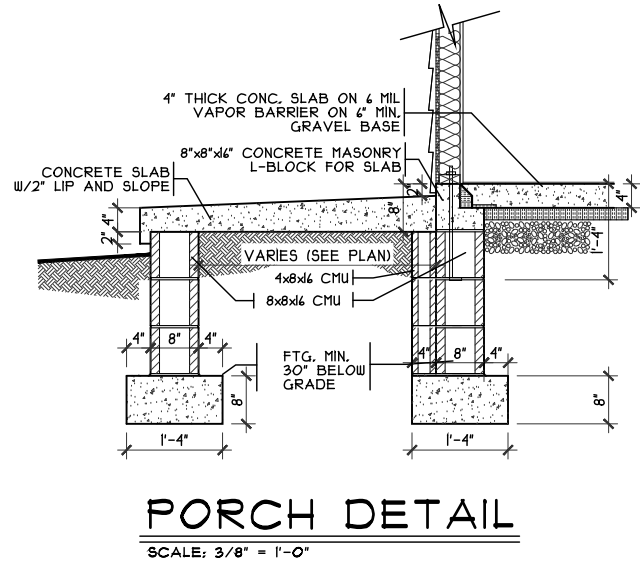
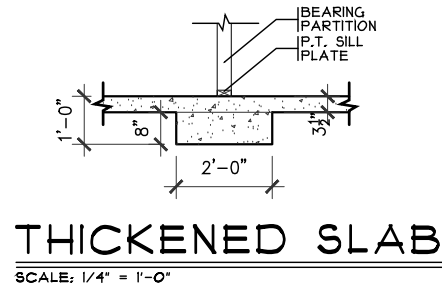


BE 2343
612 Maxwell Court
Germantown, OH 45327

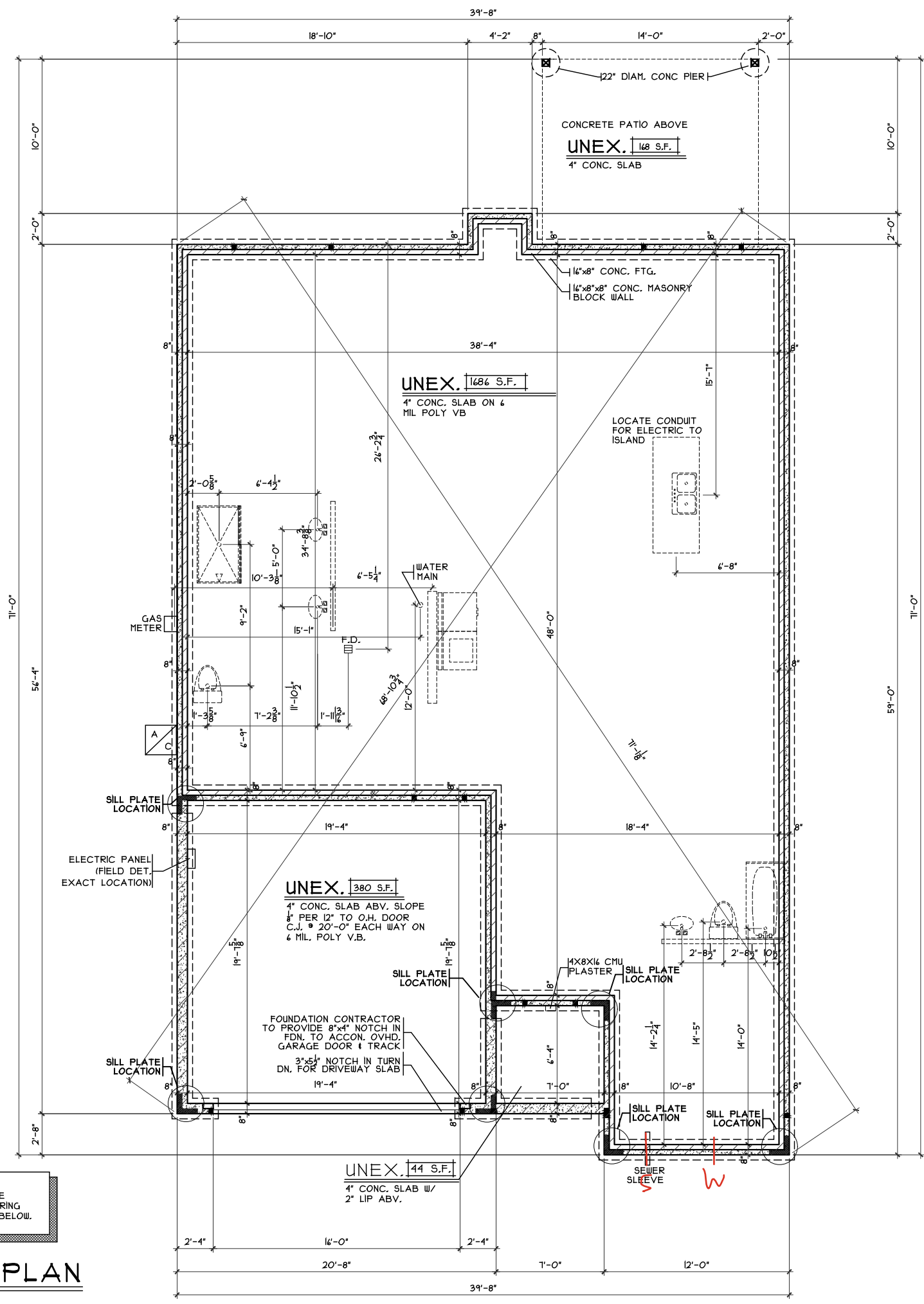
1 story slab
AA on kitchen sink
2 hose bibs with valves
ice maker
1 tub
1 shower
install pressure regulator on main !!

Gas Furnace and Fireplace



NOTE:
■ DENOTES BEARING CRIPPLES. THERE SHOULD BE ONE CRIPPLE FOR EACH BEARING MEMBER. CONTINUOUS TO SOLID BEARING BELOW.

FOUNDATION PLAN
SCALE: 1/8" = 1'-0"



Foundation Plan

Prestige - BE-2343

Mayfair II - B1 - Vinyl

Issue Dates

Plan: Mayfair II Slab
Date: 7.9.2024
Drawn: JRK
Scale: As Noted
Revised: 8.16.2024
Sheet: 3 of 7

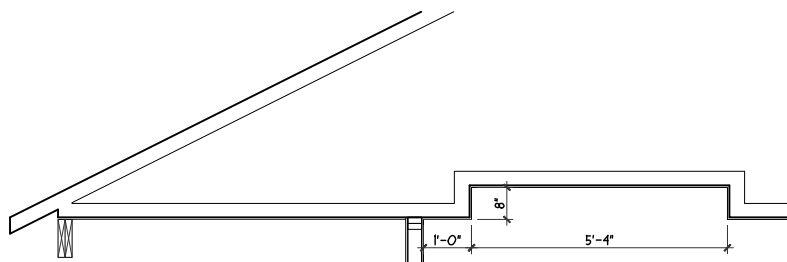


Proposed Residence:
Rodgers Residence
612 Maxwell Court
Berryview Estates Lot 2343
Montgomery County
Germantown

Cristo Homes reserves all property rights in these plans. These plans are not to be reproduced, changed, or copied in any manner. They are not to be given to a third party, either in full or in part, without first receiving written permission from Cristo Homes. In the event these plans are used by a third party, Cristo Homes shall be held harmless.

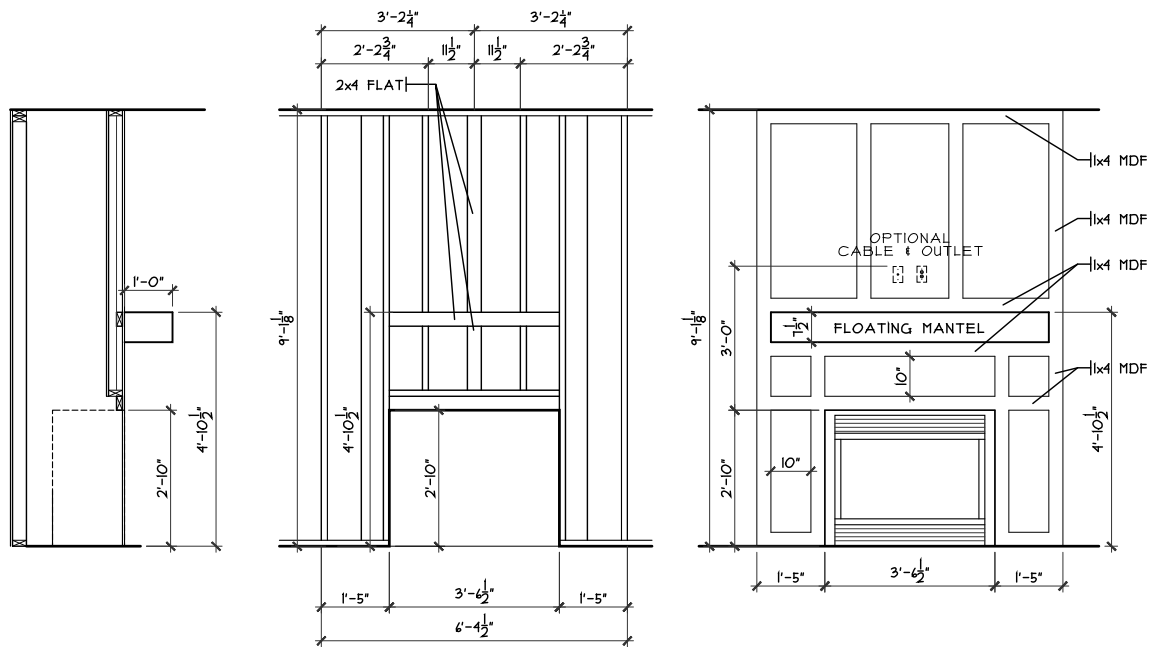
Review

A2



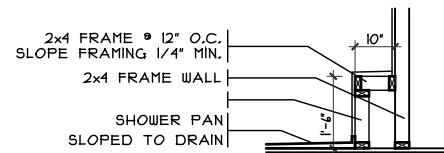
TRAY CLG. @ FOYER

SCALE: 1/4" = 1'-0"



FIREPLACE FRAMING DETAIL

SCALE: 1/4" = 1'-0"



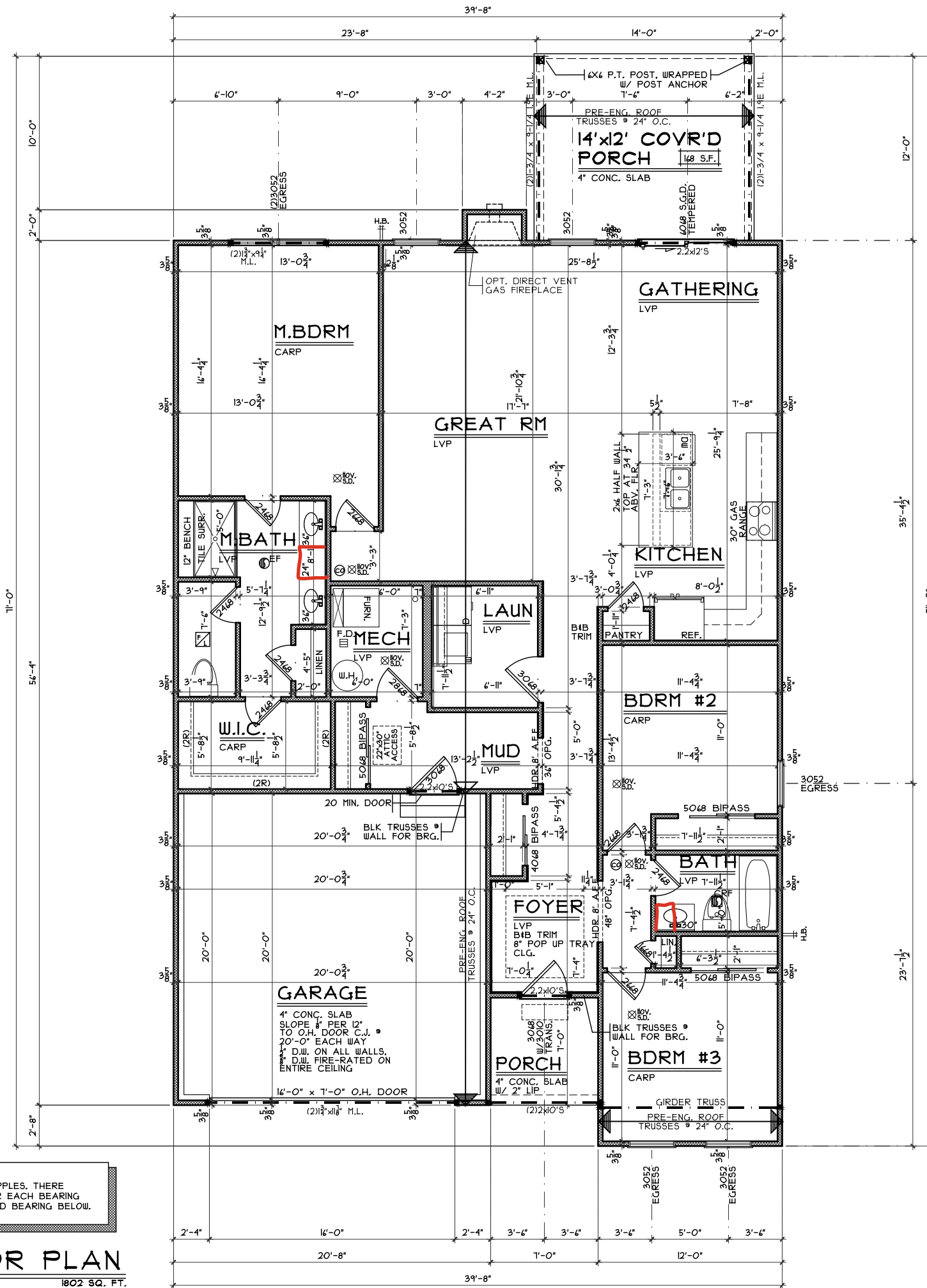
SHOWER SEAT DETAIL

SCALE: 1/4" = 1'-0"

NOTE:
 ■ DENOTES BEARING CRIPPLES. THERE SHOULD BE ONE CRIPPLE FOR EACH BEARING MEMBER, CONTINUOUS TO SOLID BEARING BELOW.

FIRST FLOOR PLAN

SCALE: 1/8" = 1'-0" 1802 SQ. FT.



First Floor Plan

Plan: Mayfair II Slab
 Date: 7.9.2024
 Drawn: JRK
 Scale: As Noted
 Revised: 8.16.2024
 Sheet: 4 of 7

Prestige - BE-2343

Proposed Residence:
 Rodgers Residence
 612 Maxwell Court
 Berryview Estates Lot 2343

Mayfair II - B1 - Vinyl

Cristo Homes reserves all property rights in these plans. These plans are not to be reproduced, changed, or copied in any manner. They are not to be given to a third party, either in full or in part, without first receiving written permission from Cristo Homes. In the event these plans are used by a third party, Cristo Homes shall be held harmless.

Issue Dates

Review	Issue Dates

Germantown
 Montgomery County



A3