

BH 104

7935 White Barn Lane

1 Story Slab

Irrigation Line

**NO HUMIDIFIER !!!**

3 Hose bibs - 2 in garage !!

1 tiled shower

1 LH tub base

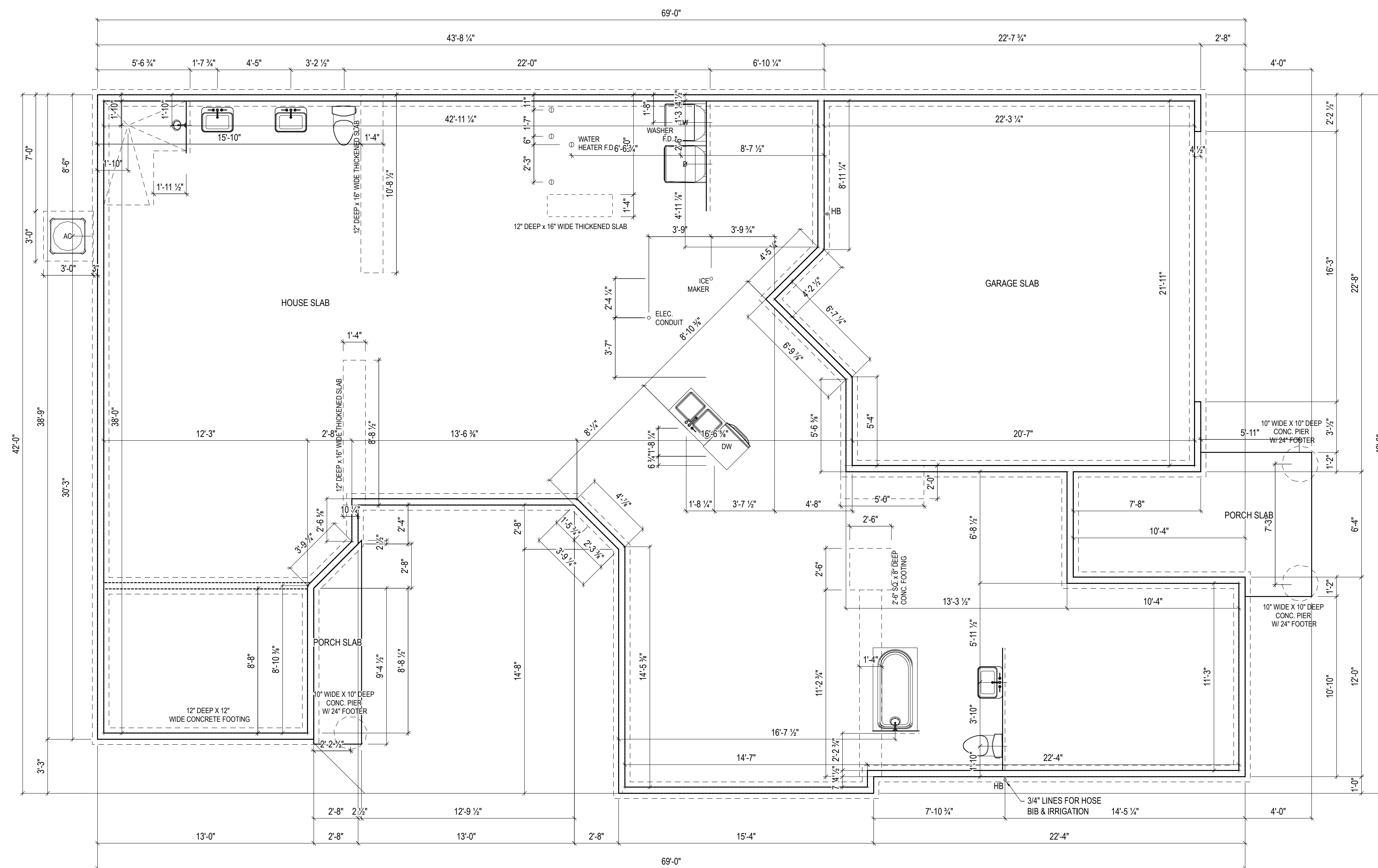
1 small tankless heater

Gas Furnace , Heater , and Fireplace



Epcon Foundation DG

Bel Haven LLC  
West Chester, OH.



NOTES:  
THICKENED SLAB SHALL BE REINFORCED  
WITH CONTINUOUS (2) #4 REBAR

ISSUE	DESCRIPTION	DATE
01	BUILDER SET	8/24/2023

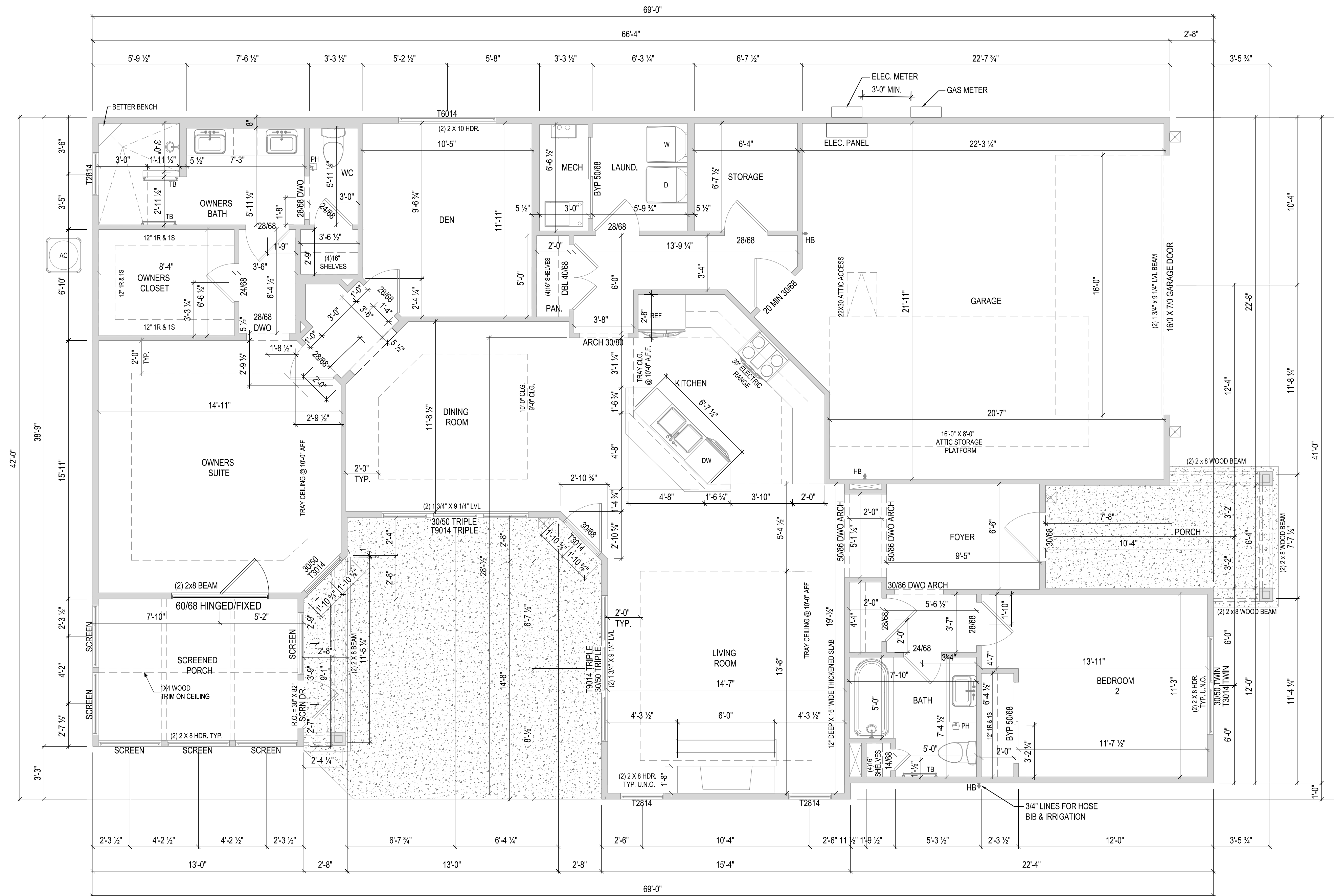
PROJECT  
PLAN: BH Portico D2 D2+ - 4.5"  
ELEV: Elevation A - Euro Country  
LOT: 104

LOT ADDRESS: 7935 White Barn Lane  
West Chester, OH 45073

DRAWING TITLE  
**FOUNDATION PLAN**

SHEET NUMBER  
**A-050**

1 FOUNDATION PLAN  
A-050  
1/8" = 1'-0" @ 11" x 17"



NOTES:  
- ARCHED OPENINGS: SPRING POINT @ 78" A.A.F.  
TOP OF ARCH 8'-8" ABOVE SPRING POINT.

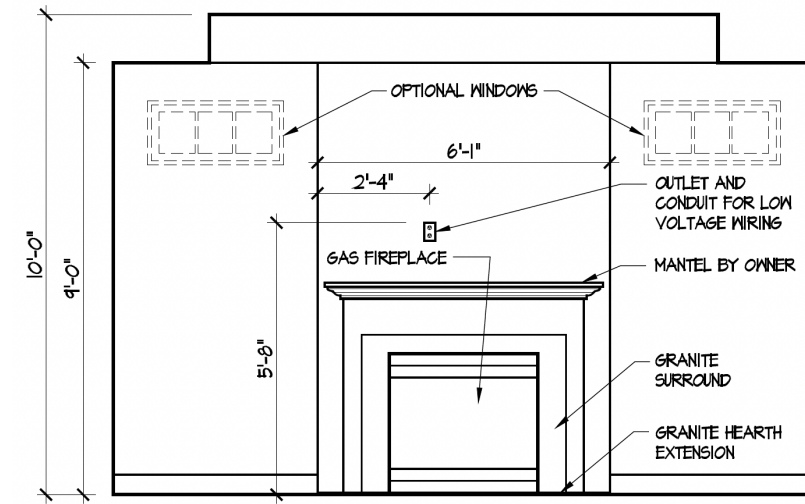
ISSUE	DESCRIPTION	DATE
01	BUILDER SET	8/25/2023

PROJECT  
PLAN: BH Portico D2 D2+ - 4.5"  
ELEV: Elevation A - Euro Country  
LOT: 104

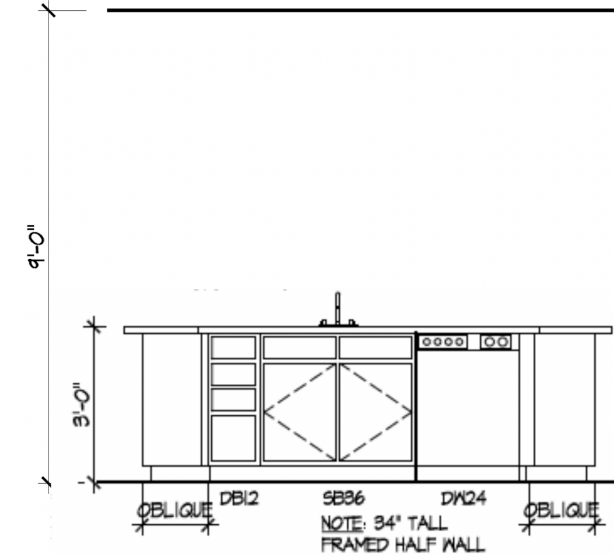
LOT ADDRESS: 7935 White Barn Lane  
West Chester, OH 45073

DRAWING TITLE  
**FIRST FLOOR  
PLAN**

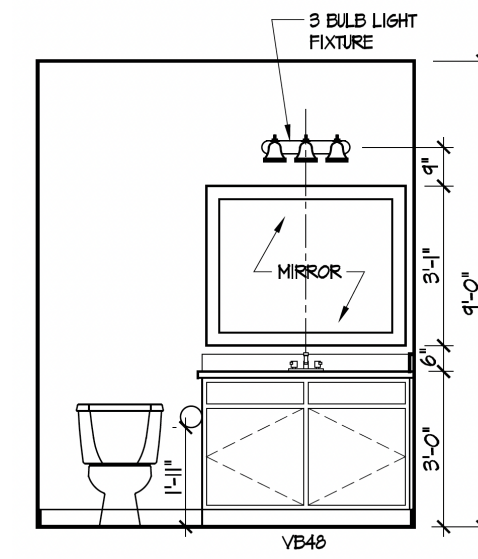
SHEET NUMBER  
**A-101**



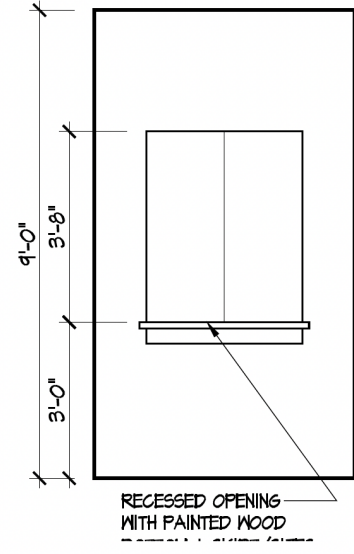
1 FIREPLACE (D2)  
A-401



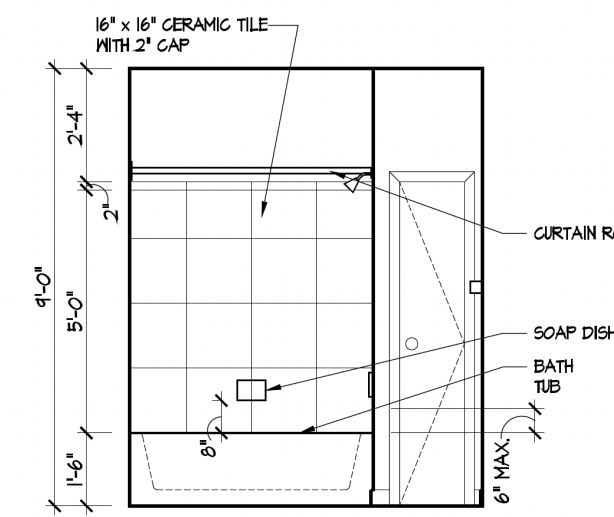
2 KITCHEN ISLAND  
A-401



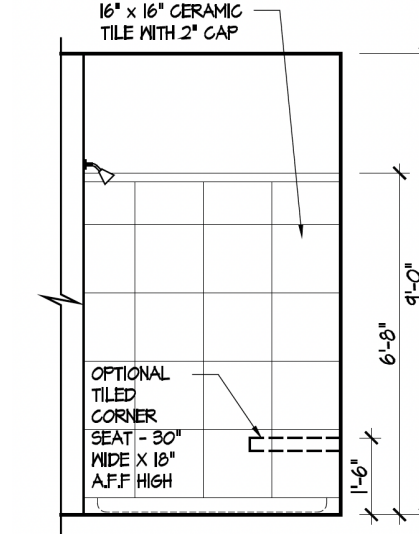
3 BATH 2 : VANITY  
A-401



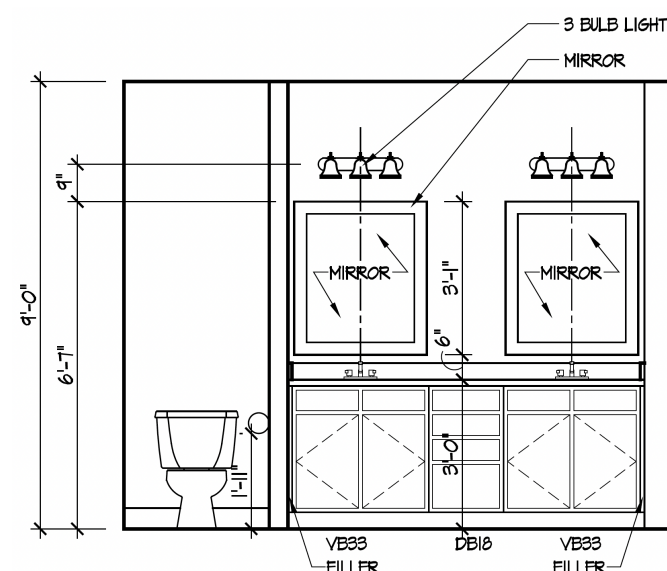
4 MASTER FOYER ENTRY  
A-401



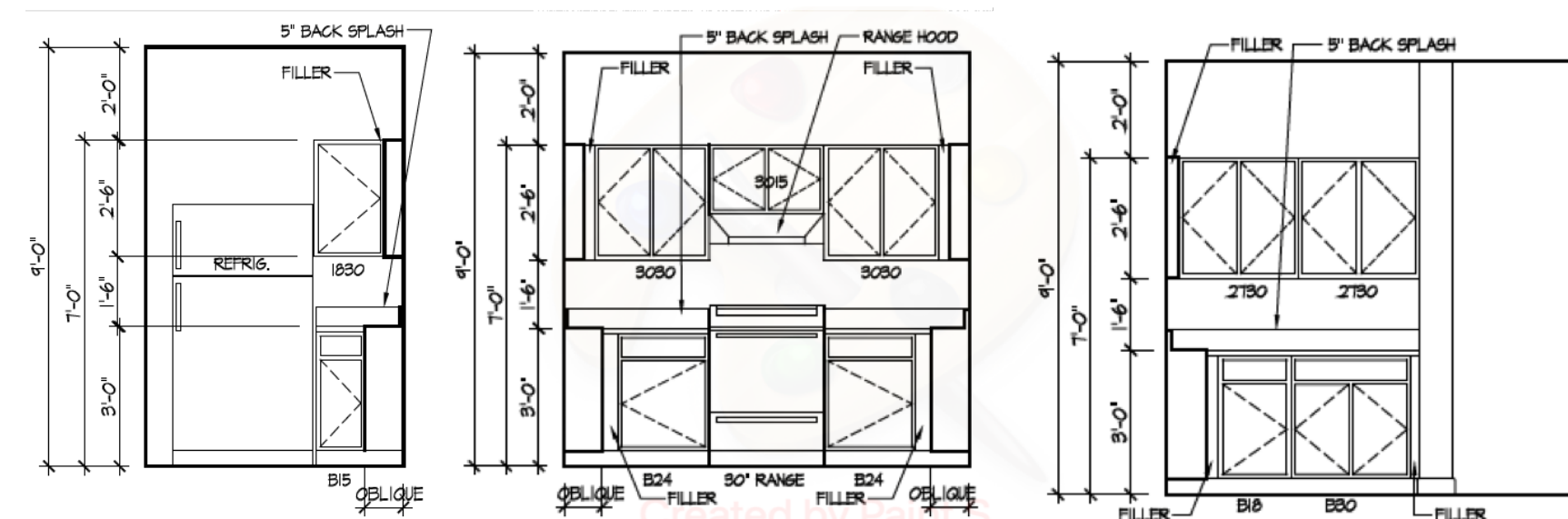
5 BATH 2: TUB/SHWR  
A-401



6 MASTER SHOWER: W/ SEAT  
A-401



7 MASTER BATH: VANITY  
A-401



8 KITCHEN STANDARD LAYOUT (D2)  
A-401

ISSUE	DESCRIPTION	DATE
01	BUILDER SET	8/24/2023

PROJECT  
PLAN: BH Portico D2 D2+ - 4.5"  
ELEV: Elevation A - Euro Country  
LOT: 104  
LOT ADDRESS: 7935 White Barn Lane  
West Chester, OH 45073

DRAWING TITLE  
**DETAILS**

SHEET NUMBER  
**A-401**