

BH 93

7929 N. Bel Haven Lane

1 Story Slab

Irrigation Line

Humidifier Valve

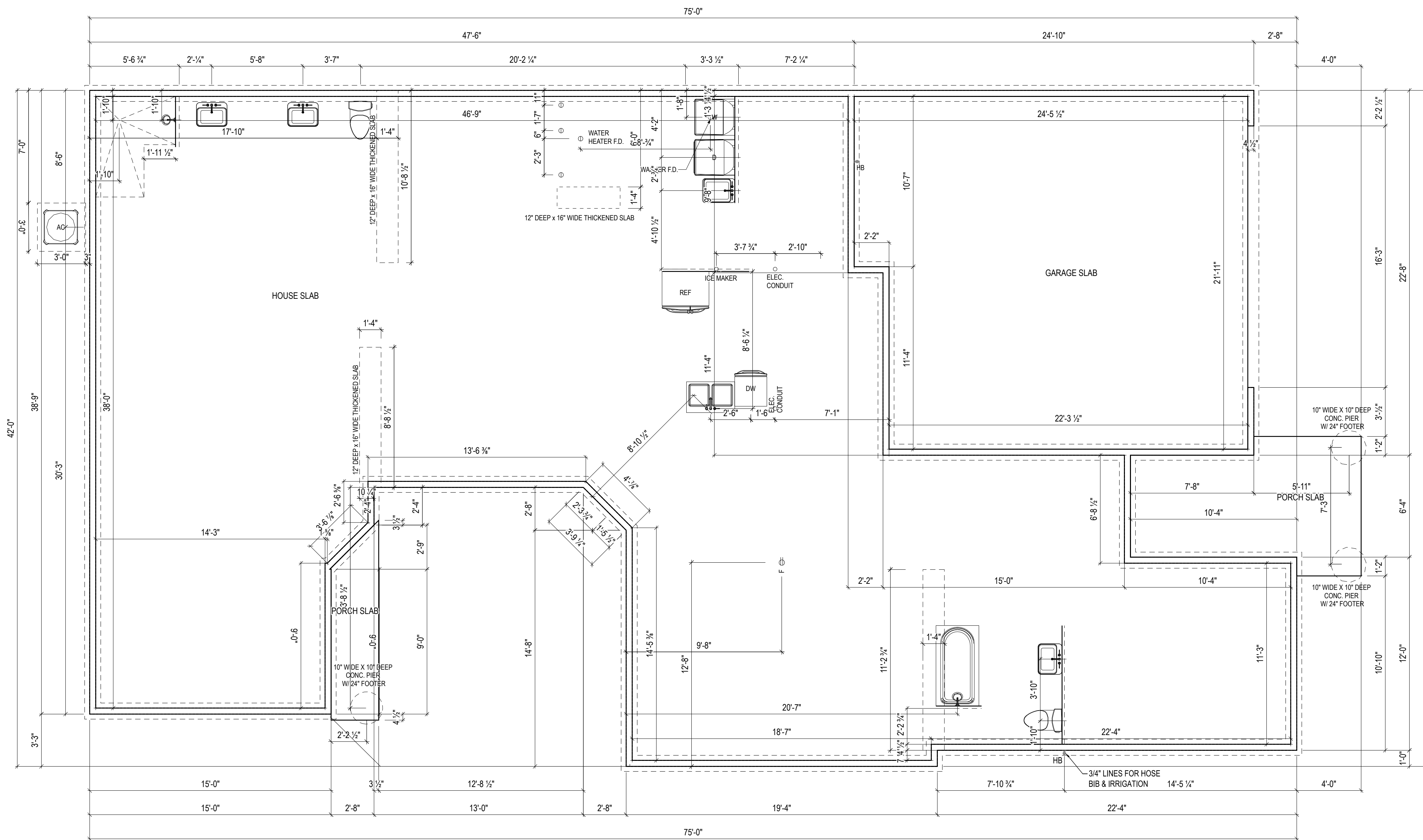
Landry Tub

1 tiled shower

1 LH tub base

1 small tankless heater

Gas Furnace , Heater , Range and Outside Grill



NOTES:  
THICKENED SLAB SHALL BE REINFORCED  
WITH CONTINUOUS (2) #4 REBAR

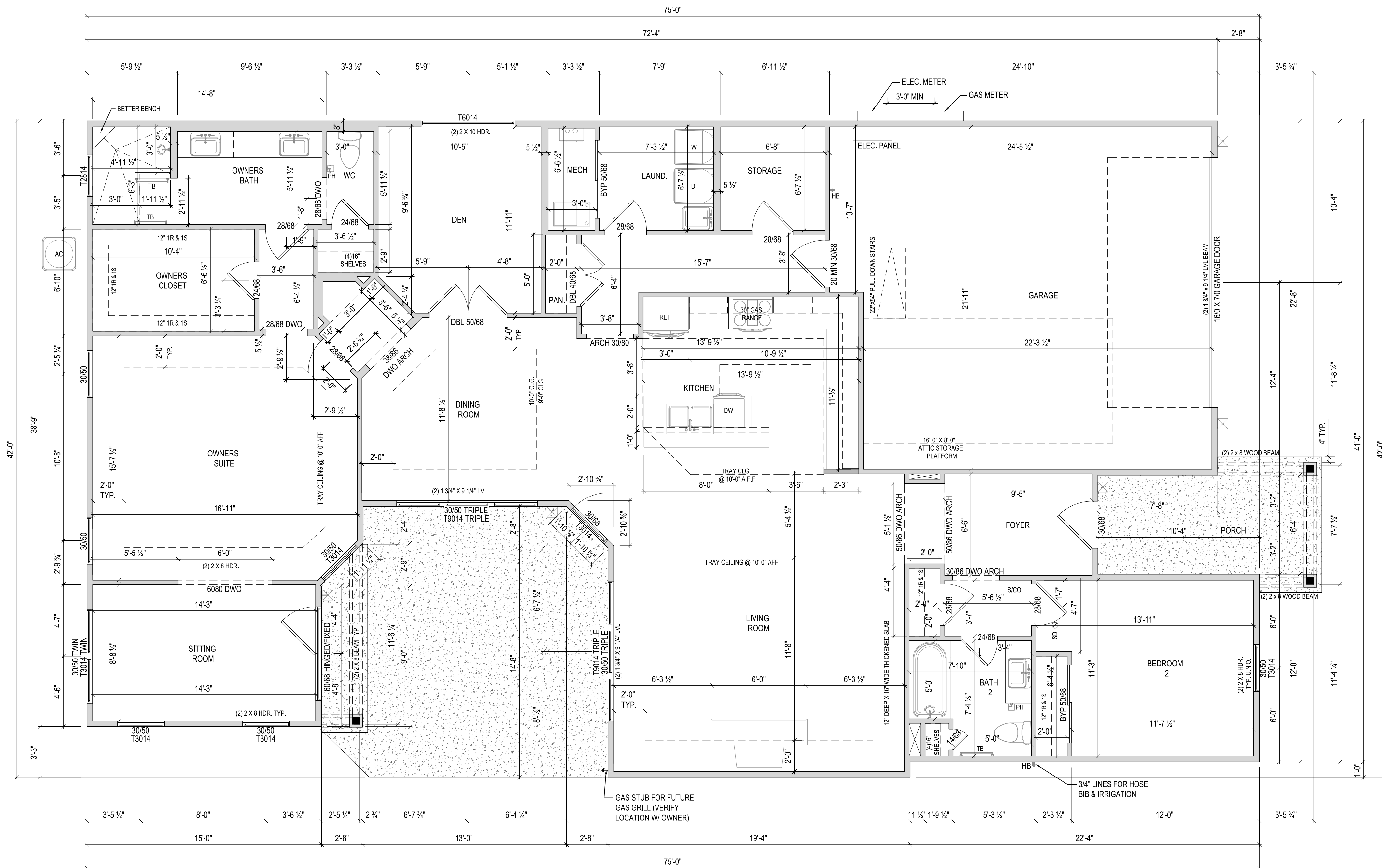
ISSUE	DESCRIPTION	DATE
01	BUILDER SET	8/25/2023

PROJECT  
PLAN: BH Portico D2 D2+ - 4.5"  
ELEV: Elevation A - Euro Country  
LOT: 93

LOT ADDRESS: 7929 N. Bel Haven Lane  
West Chester, OH 45071

DRAWING TITLE  
**FOUNDATION PLAN**

SHEET NUMBER  
**A-050**



NOTES:  
- ARCHED OPENINGS: SPRING POINT @ 78" A.A.F.  
TOP OF ARCH 8'-0" ABOVE SPRING POINT.

ISSUE	DESCRIPTION	DATE
01	BUILDER SET	8/25/2023

PROJECT  
PLAN: BH Portico D2 D2+ - 4.5"  
ELEV: Elevation A - Euro Country  
LOT: 93

LOT ADDRESS: 7929 N. Bel Haven Lane  
West Chester, OH 45071

DRAWING TITLE  
**FIRST FLOOR  
PLAN**

SHEET NUMBER  
**A-101**

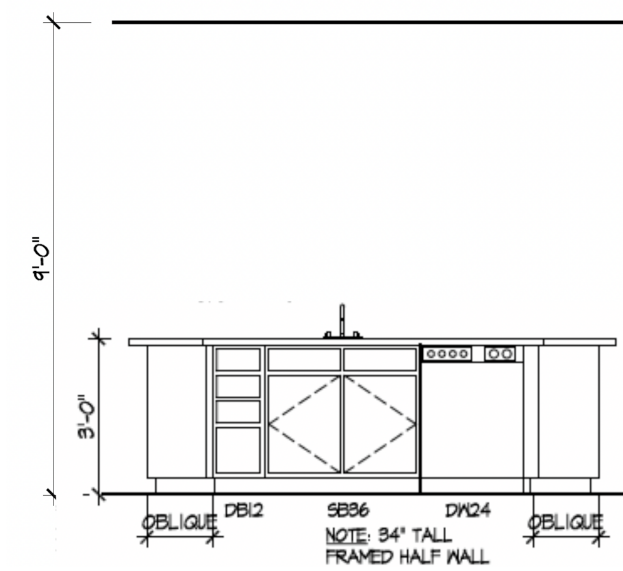




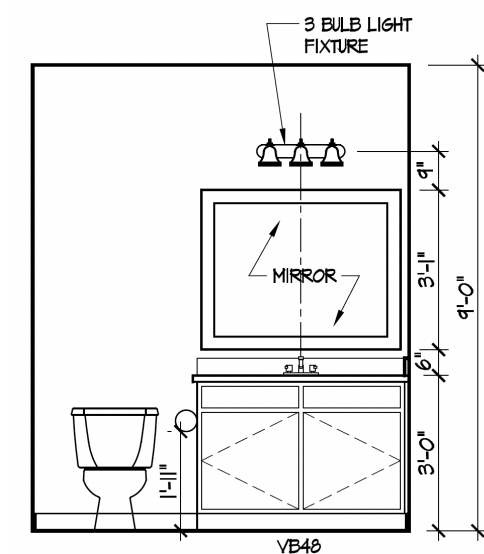
**EPCON**  
COMMUNITIES

**Epcon Foundation DG**

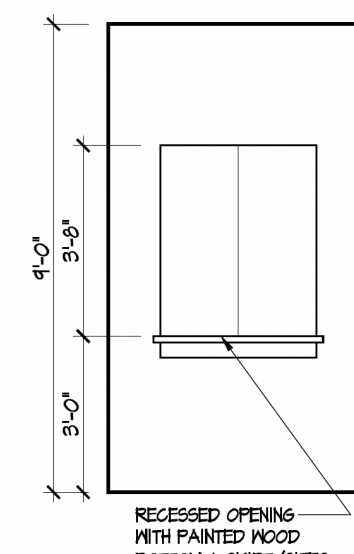
Bel Haven LLC  
West Chester, OH,



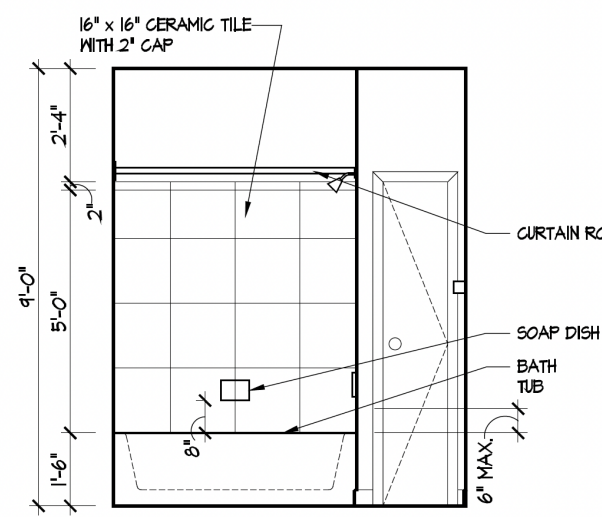
1 KITCHEN ISLAND  
A-401



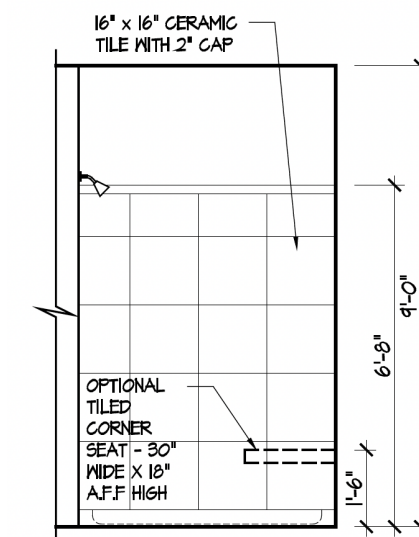
2 BATH 2 : VANITY  
A-401



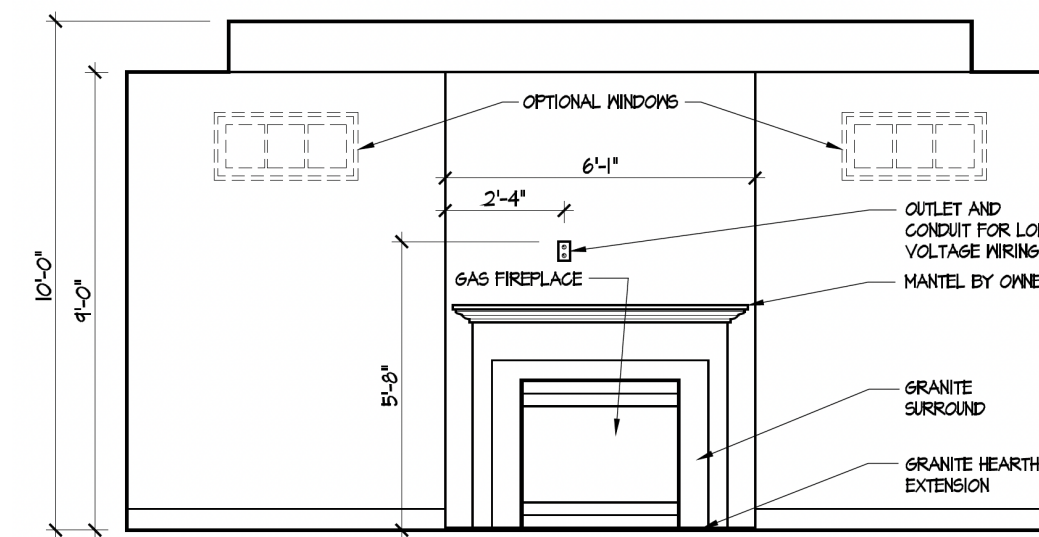
3 MASTER FOYER ENTRY  
A-401



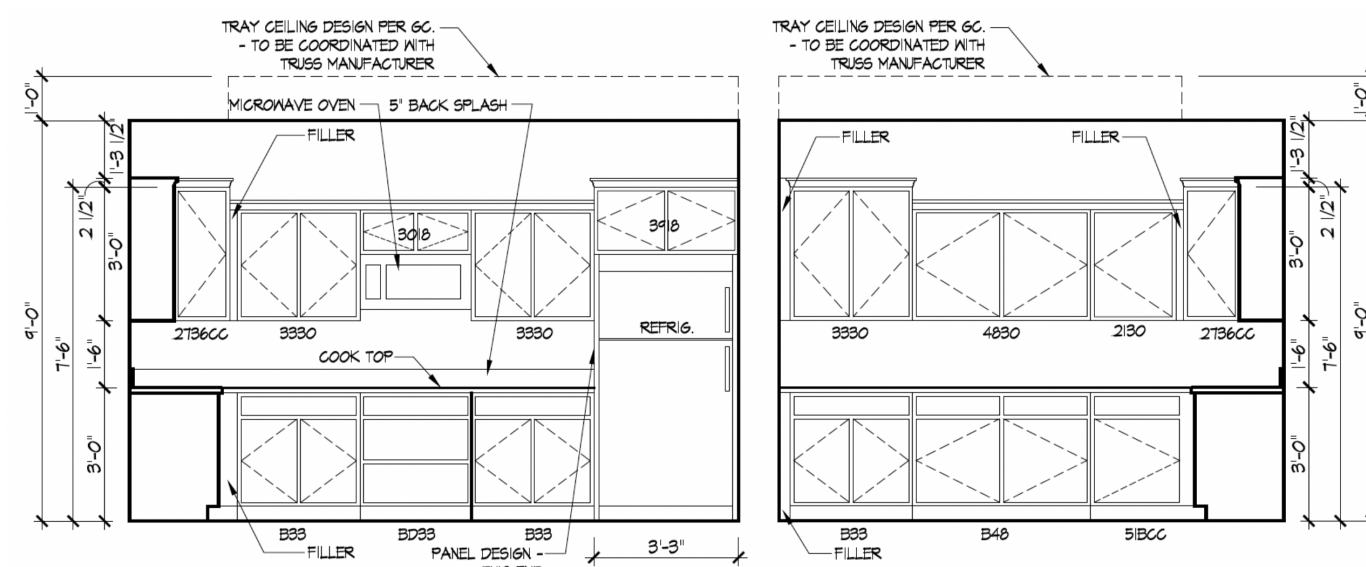
4 BATH 2: TUB/SHWR  
A-401



5 MASTER SHOWER: W/ SEAT  
A-401



6 FIREPLACE (D2+)  
A-401



7 KITCHEN LAYOUT (D2+)  
A-401

ISSUE	DESCRIPTION	DATE
01	BUILDER SET	8/25/2023

PROJECT  
PLAN: BH Portico D2 D2+ - 4.5"  
ELEV: Elevation A - Euro Country  
LOT: 93

LOT ADDRESS: 7929 N. Bel Haven Lane  
West Chester, OH 45071

DRAWING TITLE  
**DETAILS**

SHEET NUMBER  
**A-401**