

BH 92

7933 N. Bel Haven Lane

2 Story Slab

Laundry tub

Wet bar

Irrigation Line

Humidifier

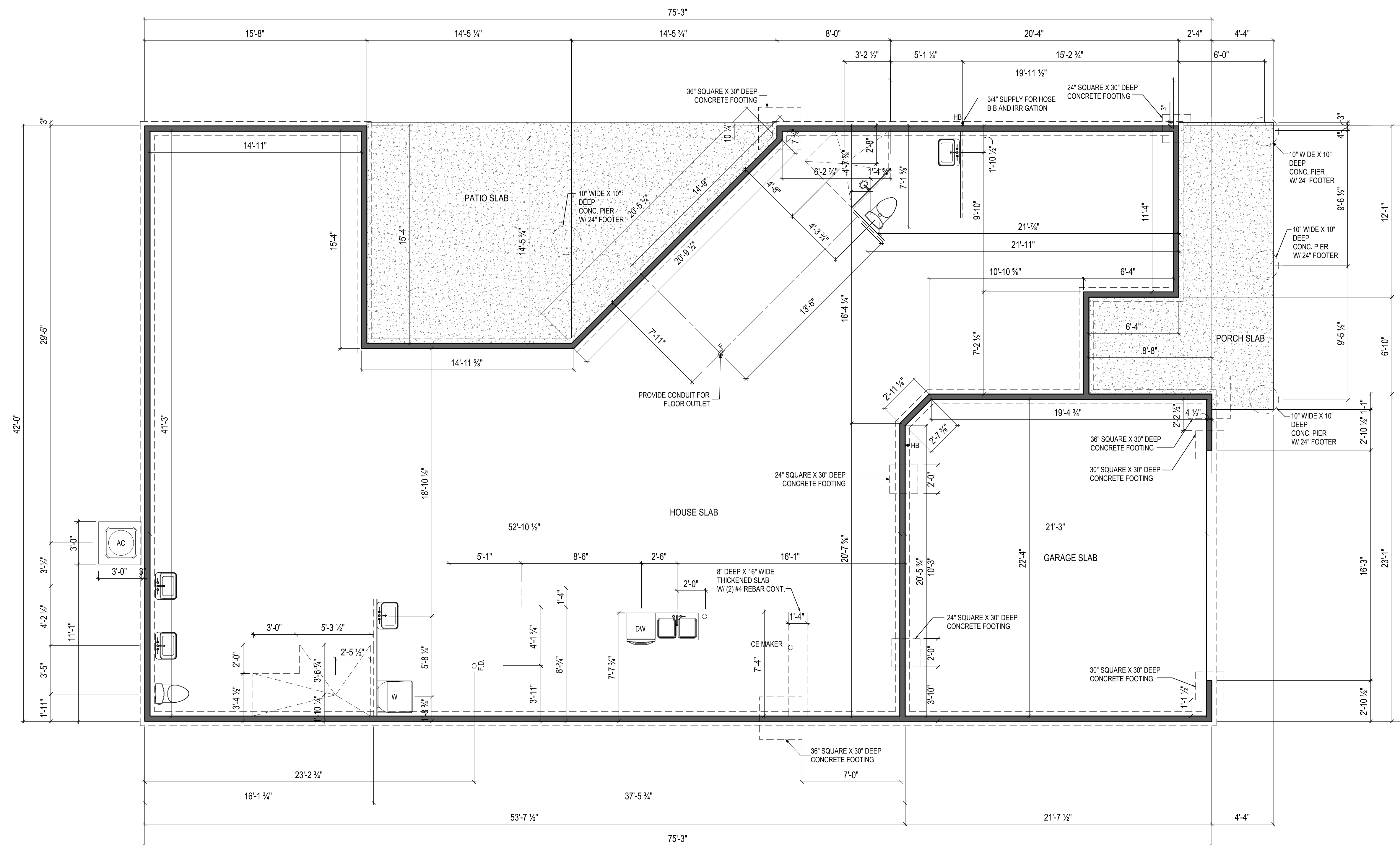
1 large tankless heater

3 Hose bibs - no valves required

2 - tiled showers

1 - 5' shower - right hand drain 2nd floor

Gas Furnace , Heater , Fireplace and Cooktop



NOTES:
THICKENED SLAB SHALL BE REINFORCED
WITH CONTINUOUS (2) #4 REBAR

ISSUE	DESCRIPTION	DATE
01	BUILDER SET	10/12/2023

PROJECT
PLAN: BH Promenade Plus D4
ELEV: Elevation B
LOT: 99

LOT ADDRESS: 7932 N. Bel Haven Lane
West Chester, OH 45077

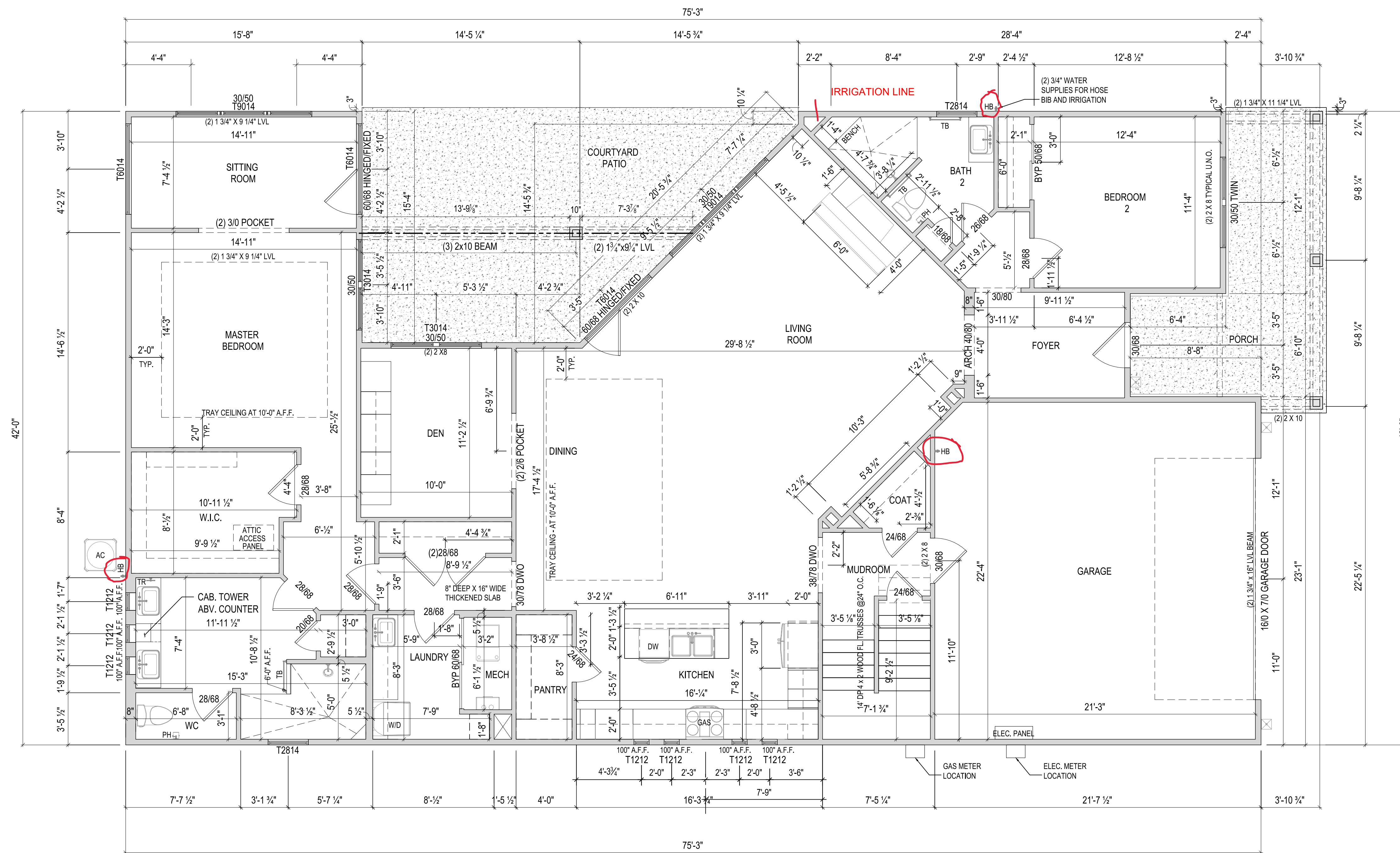
DRAWING TITLE
FOUNDATION PLAN

SHEET NUMBER
A-050



Epcon Foundation DG

Bel Haven LLC
West Chester, OH.



NOTES:
- ARCHED OPENINGS: SPRING POINT @ 7\"/>

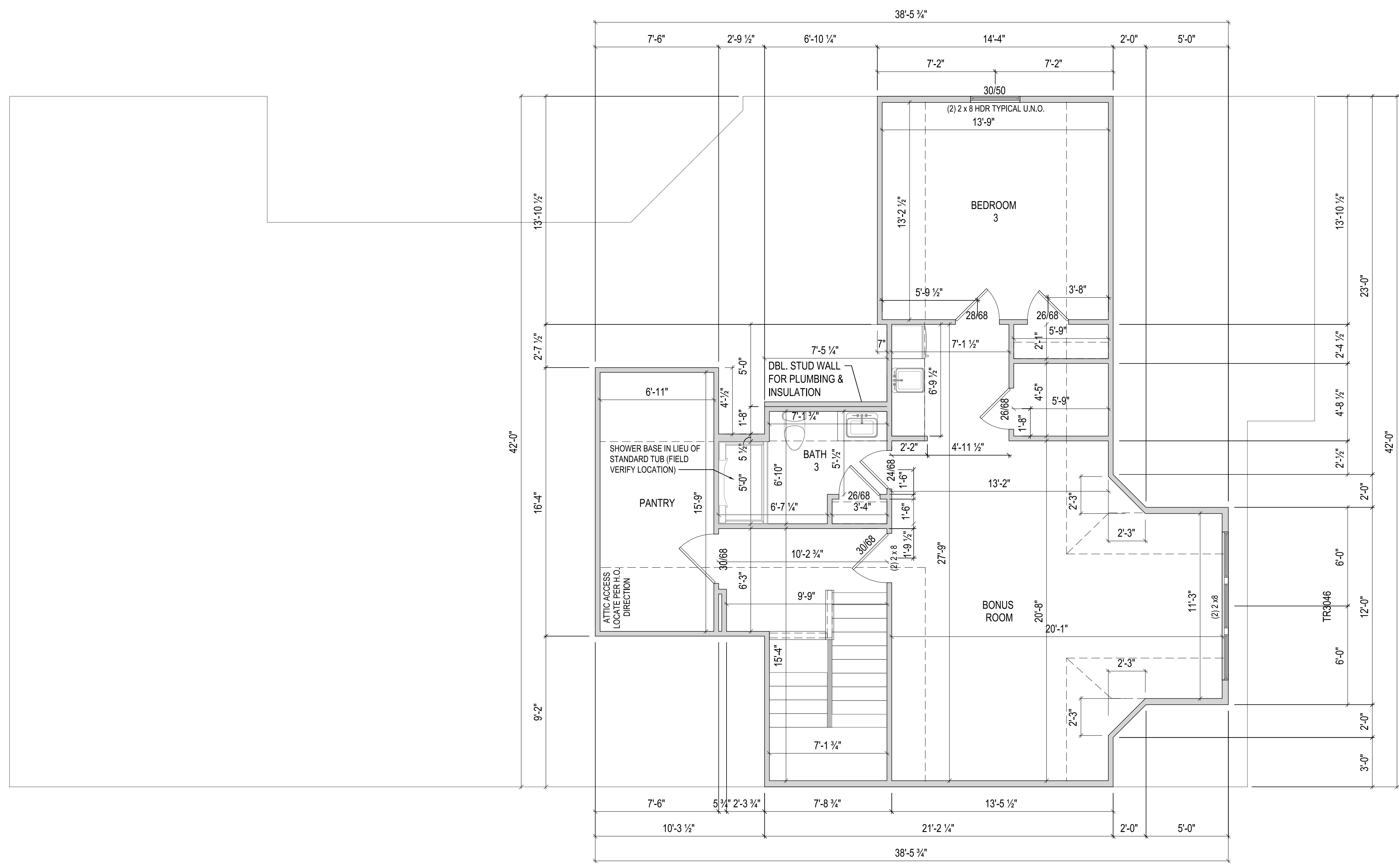
ISSUE	DESCRIPTION	DATE
01	BUILDER SET	10/12/2023

PROJECT
 PLAN: BH Promenade Plus D4
 ELEV: Elevation B
 LOT: 99

LOT ADDRESS: 7932 N. Bel Haven Lane
 West Chester, OH 45077

DRAWING TITLE
**FIRST FLOOR
 PLAN**

SHEET NUMBER
A-101



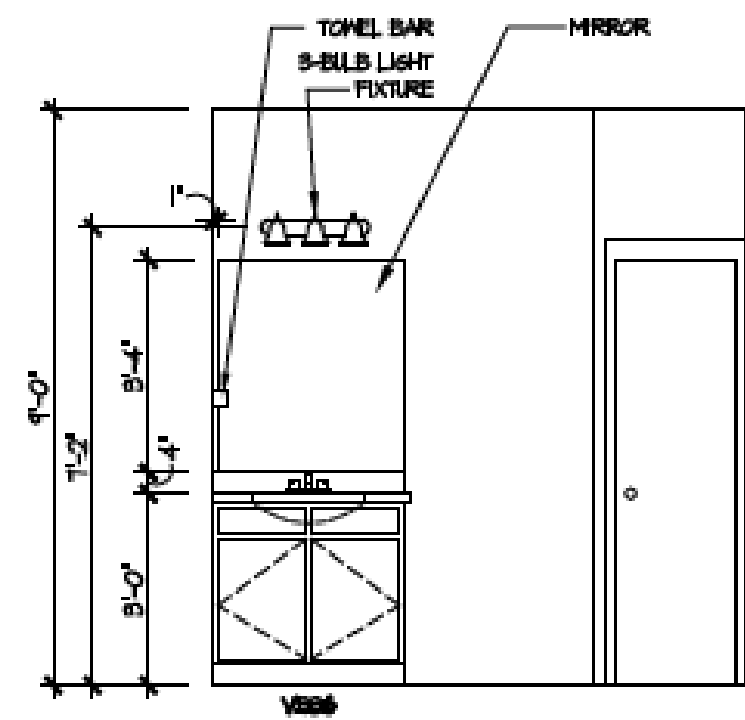
1 FLOOR PLAN
 A-102 1/8" = 1'-0" @ 11" x 17"

ISSUE	DESCRIPTION	DATE
01	BUILDER SET	10/12/2023

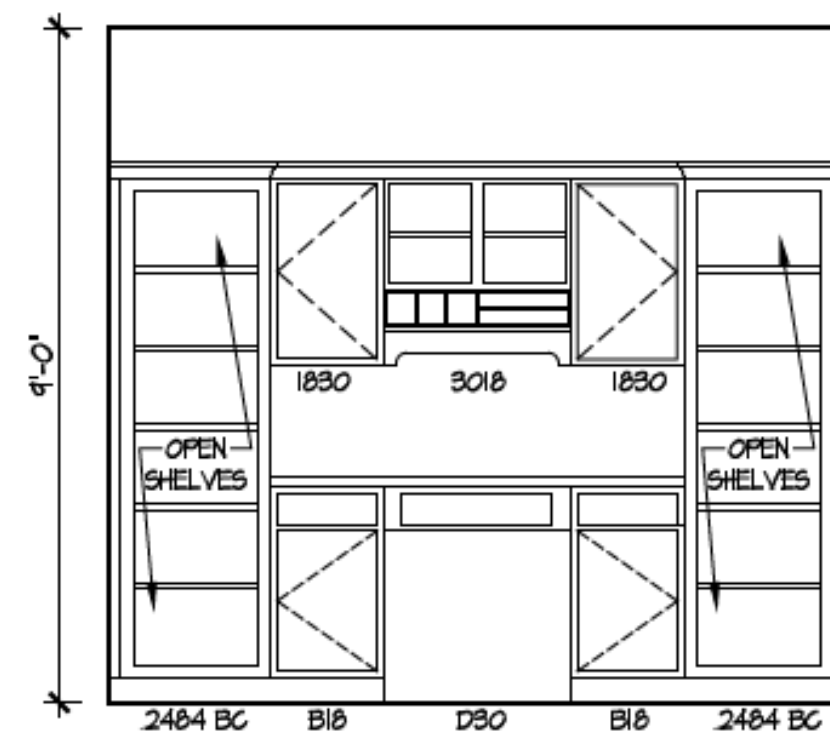
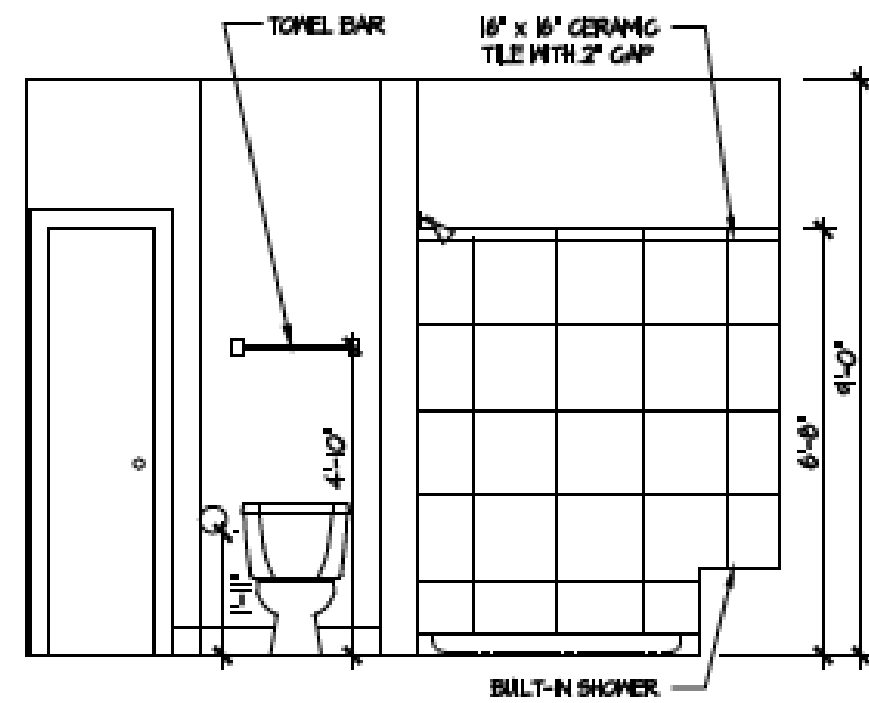
PROJECT
 PLAN: BH Promenade Plus D4
 ELEV: Elevation B
 LOT: 99
 LOT ADDRESS: 7932 N. Bel Haven Lane
 West Chester, OH 45077

DRAWING TITLE
SECOND FLOOR PLAN

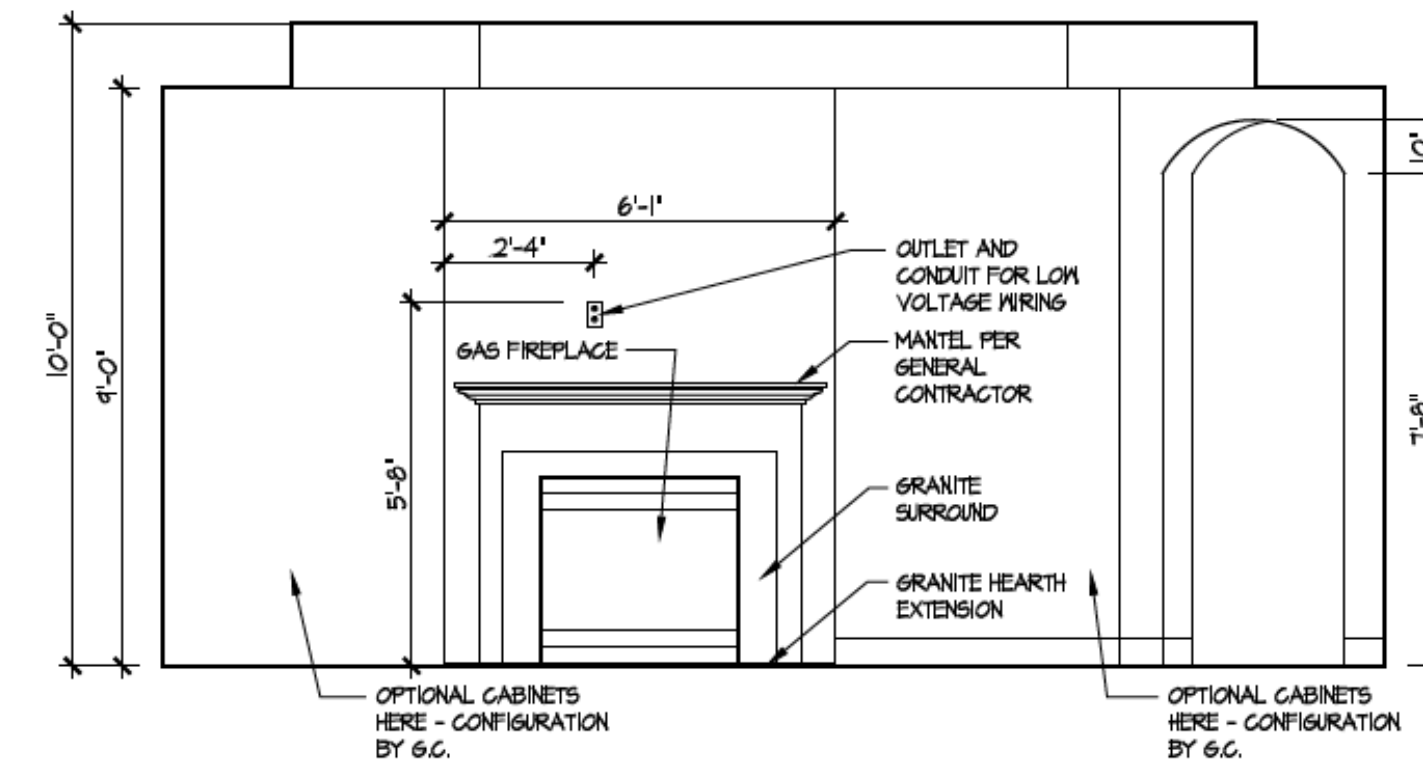
SHEET NUMBER
A-102



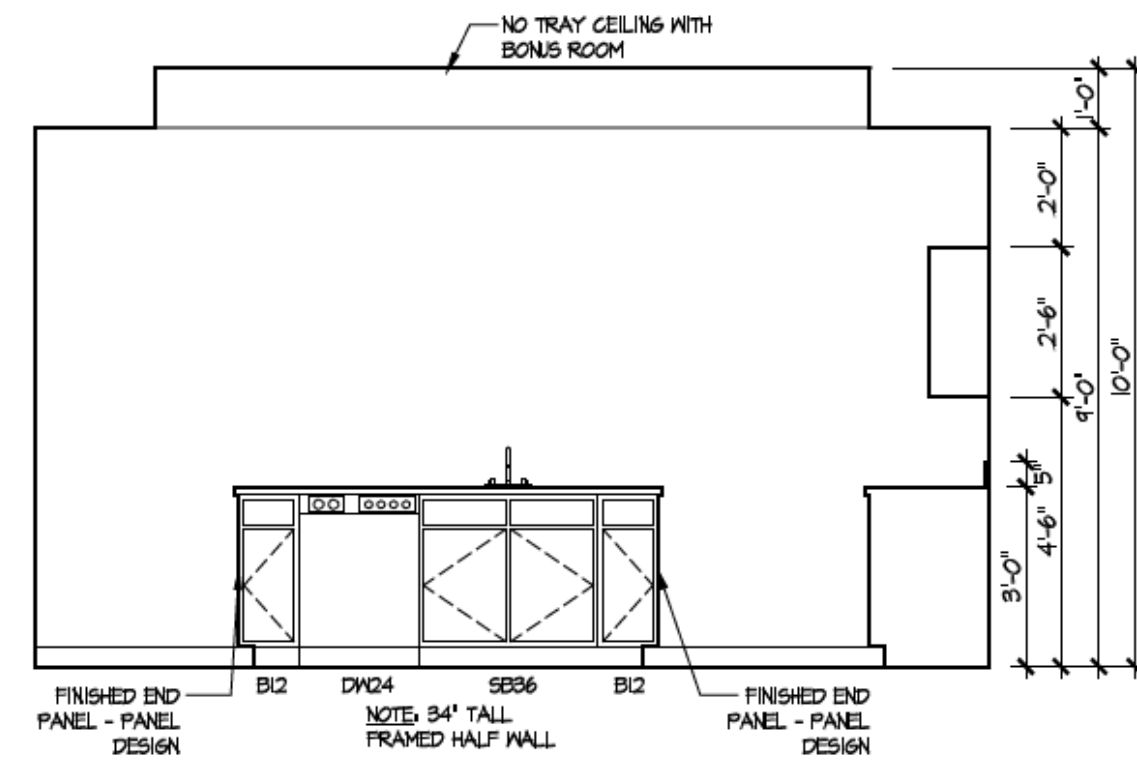
2 Bath 2 - Walk-In Shower
A-402



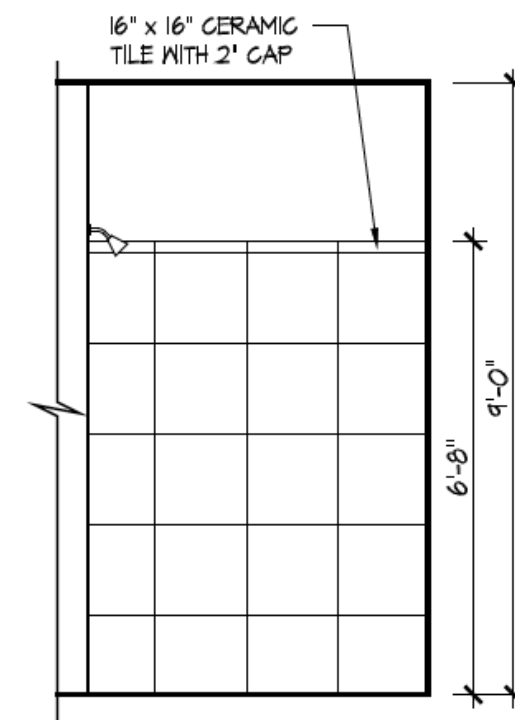
3 Built-in Desk - Den
A-402



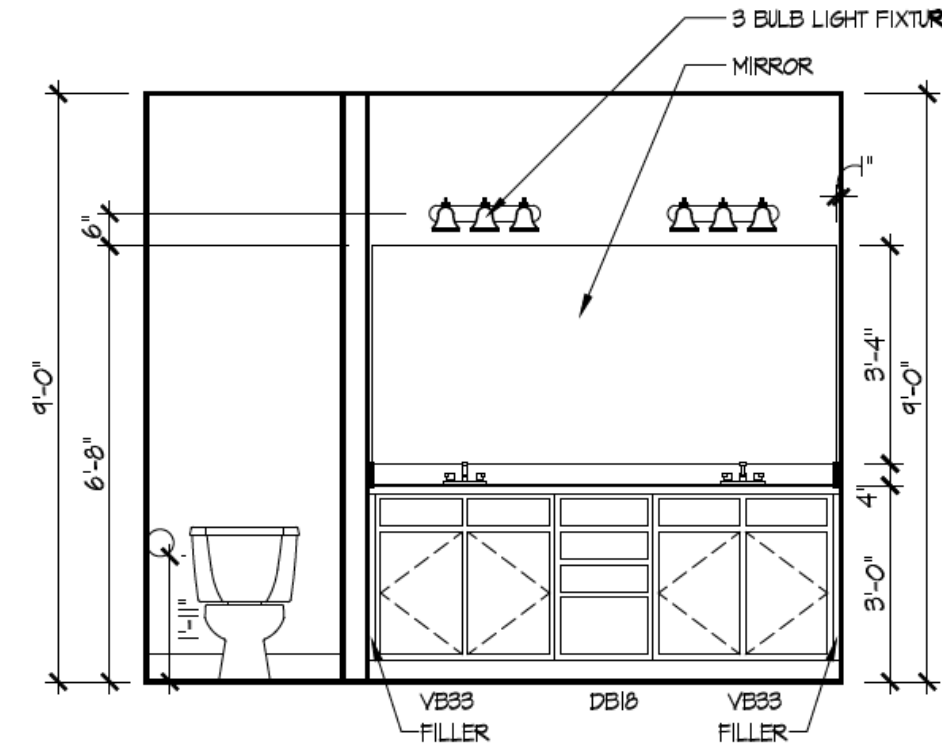
4 Fireplace
A-402



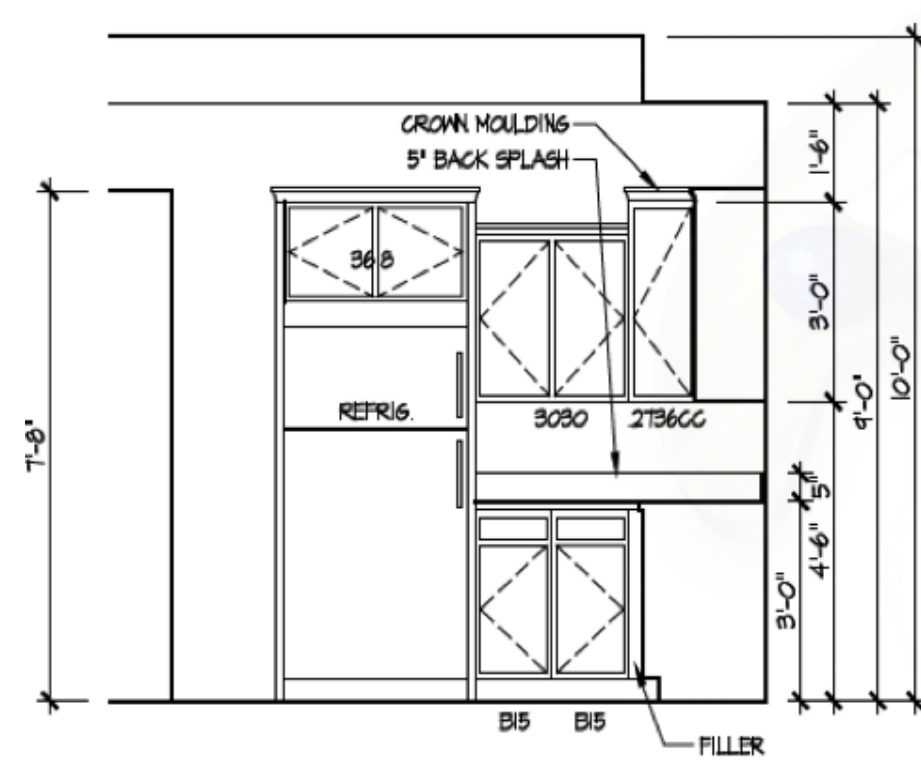
5 Kitchen - Island
A-402



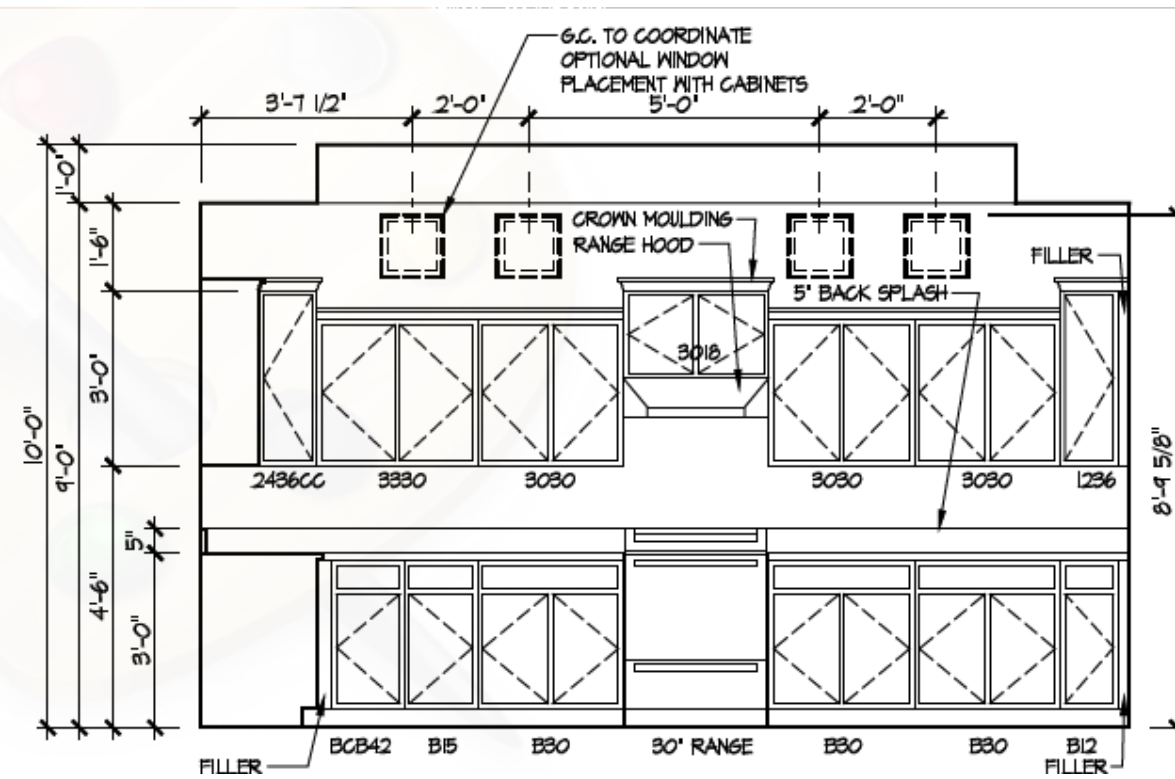
6 Master Bath Shower - Walk-in
A-402



7 Master Bath Vanity
A-402



8 Kitchen Staggered Layout
A-402



ISSUE	DESCRIPTION	DATE
01	BUILDER SET	10/12/2023

PROJECT
PLAN: BH Promenade Plus D4
ELEV: Elevation B
LOT: 99

LOT ADDRESS: 7932 N. Bel Haven Lane
West Chester, OH 45077

DRAWING TITLE
DETAILS

SHEET NUMBER
A-402