

**Foundation Plan**

Scale: 1/4" = 1'-0"

**FOUNDATION CODED NOTES**  
(FOUNDATION PLAN ONLY)  
(ALL NOTES NOT APPLICABLE TO ALL SHEETS)

1. POURED CONCRETE FOUNDATION STEM WALL (TYPICAL) - SEE WALL SECTIONS SHEETS.
2. 12" WIDE CONCRETE FOOTING WITH STEEL BAR REINFORCING AS REQUIRED BY SOILS ENGINEER - MAINTAIN BOTTOM OF FOOTING A MINIMUM 30" BELOW FINISH GRADE AND TOP OF FOOTING SET 12" BELOW FINISHED FLOOR - TYPICAL.
3. PROVIDE MIN. 2 ANCHOR BOLTS EACH SIDE OF GARAGE DOORS.
4. SAW CUT CONTROL JOINT IN CONCRETE SLAB, 1/8" WIDE x 1/4" DEEP - TYPICAL.
5. 4" POURED CONCRETE FLOOR SLAB OVER 4 MIL. POLYETHYLENE VAPOR BARRIER AND 4" GRAVEL BASE - TYPICAL.
6. 4" GLASS FIBER REINFORCED CONCRETE FLOOR SLAB OVER 4" GRAVEL BASE - TYPICAL IN GARAGES.
7. PROVIDE WEATHERFLIP @ GARAGE DOOR OPENING - SEE DETAIL D, SHEET A301.
8. PIPE LOCATION CENTERED ON WALL ABOVE.
9. NO STEM WALL AT GARAGE DOOR OPENINGS.
10. WASHER ALWAYS LOCATED LEFT OF DRYER.
11. ELECTRICAL CONDUIT UNDER SLAB FOR ELECTRICAL OUTLET AT KITCHEN ISLAND.
12. ELECTRICAL CONDUIT SLAB PENETRATION.
13. NOT USED.
14. DASHED LINES INDICATE LOCATION OF PLUMBING FIXTURES ABOVE - SHOWN FOR REFERENCE ONLY.
15. 10" WIDE x 10" DEEP CONCRETE PIER WITH 24" DIA. FOOTING. MAINTAIN BOTTOM OF FOOTING A MINIMUM 30" BELOW FINISH GRADE AND TOP OF PIER SET 6" BELOW FINISHED FLOOR.
16. DOTTED LINE INDICATES WALL LINE OF BASE UNIT.
17. 8" DEEP X 16" WIDE THICKENED SLAB WITH (2) NO. 4 REBAR CONTINUOUS.
18. 24" DIA. FOOTING - MAINTAIN BOTTOM OF FOOTING A MINIMUM 30" BELOW FINISH GRADE.
19. 12" DEEP CONCRETE FOOTING WITH (2) NO. 5 REBAR EACH WAY - SEE PLANS FOR SIZE - MAINTAIN BOTTOM OF FOOTING A MINIMUM 30" BELOW FINISH GRADE. 12" THICKENED SLAB EDGE TO CONTINUE DOWN TO FOOTING.
20. 24" WIDE CONCRETE FOOTING WITH STEEL BAR REINFORCING AS REQUIRED BY SOILS ENGINEER - MAINTAIN BOTTOM OF FOOTING A MINIMUM 30" BELOW FINISH GRADE AND TOP OF FOOTING SET 12" BELOW FINISHED FLOOR.
21. 12" DEEP X 16" WIDE THICKENED SLAB WITH (2) NO. 4 REBAR CONTINUOUS. TYPICAL UNDER ALL INTERIOR SHEAR WALLS.
22. PLUMBER TO PROVIDE 4" PVC SLEEVE FOR WATER AND 4" SANITARY LINE FOR INSTALLATION BY FOOTER CONTRACTOR.



**Foundation Development  
Group, LLC & Bel Haven, LLC**  
Bel Haven  
Beckett Road  
West Chester, Ohio 45069

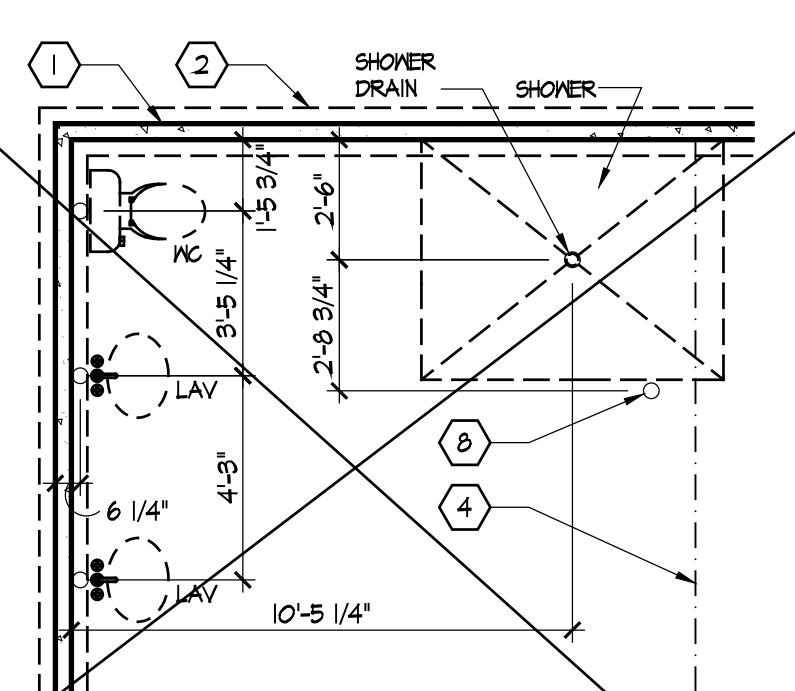
**PROPRIETARY RIGHTS NOTICE**  
COPYRIGHT 2007 EPCON COMMUNITIES FRANCHISING, INC.  
ALL RIGHTS ARE RESERVED IN THIS INFORMATION AND ALL RELATED ILLUSTRATIONS, PLANS, BLUEPRINTS, SKETCHES, DRAWINGS OR ANY OTHER TANGIBLE EXPRESSIONS THEREOF, WHICH ARE THE PROPERTY OF EPCON COMMUNITIES FRANCHISING, INC., 500 STONEHENGE PARKWAY, DUBLIN, OHIO 43017, TELEPHONE (614) 552-3337. NO ONE MAY BUILD, LICENSE, TRANSFER, REPRODUCE OR DUPLICATE THIS WORK IN ANY WAY WITHOUT THE WRITTEN AUTHORIZATION OF EPCON COMMUNITIES FRANCHISING, INC.  
THESE DRAWINGS SHALL BE USED IN CONFORMANCE WITH ALL LOCAL BUILDING, MECHANICAL, PLUMBING AND ELECTRICAL CODES AND SHALL MEET THE REQUIREMENTS OF THE HEALTH DEPARTMENT, FIRE MARSHAL, AMERICANS WITH DISABILITIES ACT ACCESSIBILITY GUIDELINES (ADAAG), THE FAIR HOUSING ACT ACCESSIBILITY GUIDELINES (FHAG), AND SHALL BE CONSTRUCTED IN CONFORMANCE WITH STATE AND LOCAL ENERGY REQUIREMENTS.

SEE SHEET A101 FOR EXTENDED MASTER SUITE OPTION

SEE SHEET A101 FOR 4 SEASONS ROOM OPTION

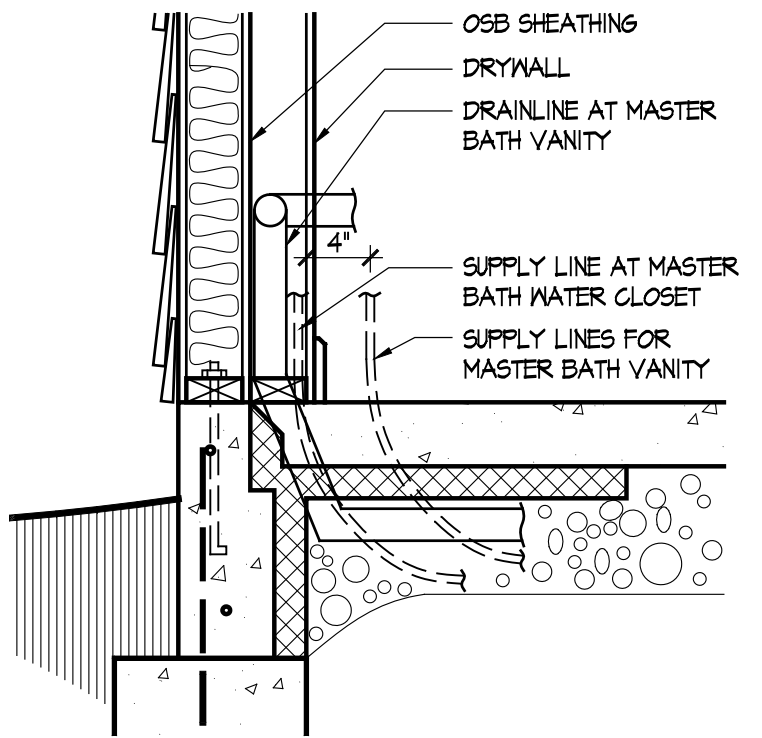
**Master Bath - Optional Alternate Walk-In Shower**

Scale: 1/4" = 1'-0"



**Master Bath Plumbing Detail - Vanity/W.C.**

Scale: 1/4" = 1'-0"



**GENERAL FOUNDATION NOTES**

1. SOIL BEARING CAPACITY ASSUMED TO BE 2500 PSF AND SHALL BE VERIFIED BY SOILS ENGINEER PRIOR TO PLACEMENT OF BUILDING FOUNDATION. CONSULT ARCHITECT WHEN INADEQUATE SOIL CAPACITIES ARE FOUND.
2. ALL DIMENSIONS ARE TO FACE OF FOUNDATION / BASEMENT WALL UNLESS NOTED OTHERWISE.
3. HOLD DOWN TOP OF FOUNDATION WALL 8" AT ALL ENTRY DOORS TO ALLOW FOR EXTENSION OF FLOOR SLAB UNDER THE DOOR THRESHOLDS.
4. PLUMBING CONTRACTOR TO USE ROUND BUCKETS FOR FORMED SLAB PENETRATIONS.
5. CONCRETE CONTRACTOR TO INSTALL 1/2" EXP. JT. AROUND THE PERIMETER OF GARAGES.
6. CONCRETE CONTRACTOR COORDINATE WITH PLUMBING FOR LOCATION OF BLOCKOUTS FOR UNDERSLAB LINES.
7. CONCRETE CONTRACTOR - SEE FIRST FLOOR PLAN FOR SIDEWALKS AND PATIOS.
8. CONCRETE CONTRACTOR TO VERIFY SLAB PENETRATION AT TUB/SHOWER OPTIONS.

Prototype Disk No.	Interim Page Revision	Revisions
		8/1/10

Architect Project Number  
2019-044

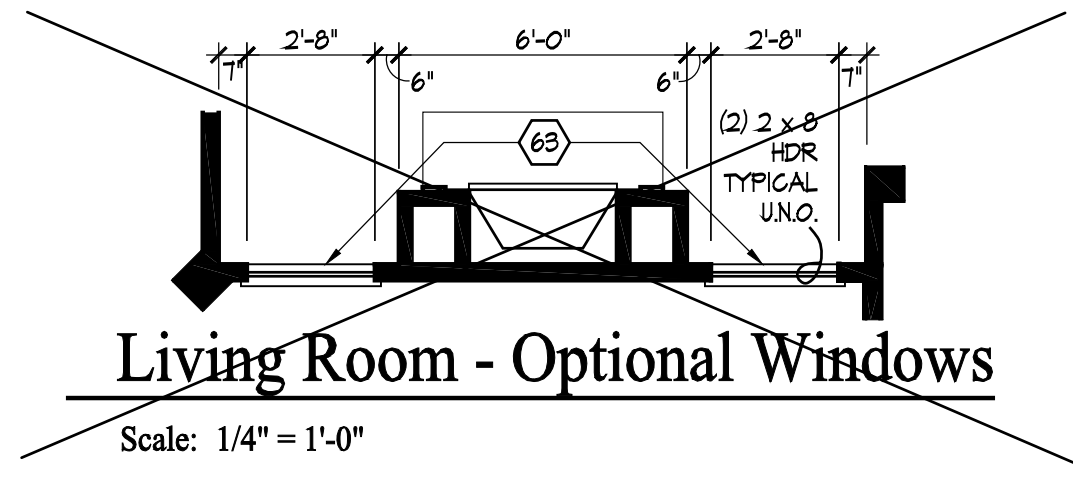
Community Dates & Revisions	
Date Originated	20 FEB 2020
Bid	
Permit	
Construction	
Revisions	
△	△
△	△
△	△

Drawing Title  
**Foundation Plan**

Architectural Style  
European Country

Sheet Number  
**A.100**  
D3M - 2010

Humidifier Valve  
Ice maker  
Gas furnace, heater and fireplace  
Irrigation Line  
Laundry Tub



GENERAL NOTES

- EXTERIOR STUD WALLS - 2 X 4 WOOD STUDS AT 16" O.C. WITH 1/2" DRYWALL ON ALL INTERIOR SURFACES AND 1/6" O.S.B. SHEATHING ON EXTERIOR SURFACES - TYPICAL.
- REFER TO SITE LAYOUT PLAN FOR BUILDING LOCATIONS AND ORIENTATIONS.
- DOORS NOT OTHERWISE DIMENSIONED SHALL BE LOCATED WITH ROUGH OPENINGS 3" FROM INTERSECTING WALLS.
- AT SECOND FLOOR WALL LOCATIONS WITH PARALLEL FLOOR JOIST/TRUSSES - PROVIDE 2 X BLOCKING FULL DEPTH OF FLOOR STRUCTURE BETWEEN JOISTS/TRUSSES @ 24" O.C.

FIRST FLOOR PLAN CODED NOTES

- (FIRST FLOOR UNIT PLANS ONLY)  
(ALL NOTES NOT APPLICABLE TO ALL SHEETS)
- EXTERIOR STUD WALL - 2 X 4 WOOD STUDS AT 16" O.C. WITH 1/2" DRYWALL ON ALL INTERIOR SURFACES AND 1/6" O.S.B. SHEATHING ON EXTERIOR SURFACES - TYPICAL.
  - INTERIOR STUD WALL - 2 X 4 WOOD STUDS AT 16" O.C. WITH 1/2" DRYWALL ON ALL FINISHED SURFACES - TYPICAL.
  - FLAT DRYWALL CEILING @ 9'-0" A.F.F. - TYPICAL UNLESS NOTED OTHERWISE.
  - 20" DEEP X 60" WIDE GRANITE HEARTH EXTENSION - CENTERED ON FIREBOX.
  - ISLAND BASE CABINETS & COUNTERTOP - FINISH ALL EDGES OF CABINETS & COUNTERTOP.
  - TRAY CEILING @ 10'-0" A.F.F.
  - PROVIDE FIBERGLASS BATT INSULATION IN GARAGE WALLS COMMON TO LIVING SPACE.
  - MAINTAIN 4" MINIMUM ELEVATION CHANGE BETWEEN GARAGE FLOOR & FINISHED FIRST FLOOR.
  - PREFABRICATED METAL FIREBOX UNIT HEARTH & HOME MODEL DV3B25B1 (OR SIMILAR), PROVIDE GAS LINE, GAS LOG SET AND SCREEN - ROUGH OPENING 31" WIDE X 34 3/4" HIGH X 18" DEEP (26" DEEP WITH BUILT-IN CABINETS OPTION).
  - OPTIONAL CABINETS - SEE INTERIOR ELEVATIONS.
  - WASHER LOCATION - PROVIDE WASHER BOX ON BACK WALL. WASHER ALWAYS LOCATED LEFT OF DRYER.
  - DRYER LOCATION - DRYER VENT IN WALL.
  - OPTIONAL UTILITY SINK AND FAUCET - INSTALL ROUGH-IN PLUMBING ONLY.
  - SINGLE CLOSET ROD & SHELF (61 1/2" A.F.F.) - VINYL COATED WIRE WITH STANDARD SPACINGS.
  - ARCHED OPENING. SPRING POINT @ 7'-8" A.F.F. TOP OF ARCH 8'-6" ABOVE SPRING POINT.
  - LOCATION OF DOUBLE 2 X 4 STUD WALL.
  - FRAMELESS MIRROR LOCATION - 42" HIGH X 2" SHORTER THAN VANITY TOP (1" EACH SIDE) - SET BOTTOM OF MIRROR AT TOP OF BACKSPLASH.
  - VANITY BASE AND COUNTERTOP 31 1/2" A.F.F.
  - TOILET & SEAT.
  - SELF-RIMMING COUNTER LAVATORY AND FAUCET.
  - 32" X 60" STANDARD TUB/SHOWER & FAUCET WITH CERAMIC TILE SURROUND.
  - TEMPERED GLASS SHOWER ENCLOSURE AND DOOR.
  - 22" X 54" OPTIONAL PULL DOWN STAIR LOCATED BETWEEN TRUSSES ABOVE. DRYWALL ON STAIR SHALL BE MOUNTED WITH SCREWS INTO THE TOP & BOTTOM DOOR CROSS SUPPORTS WITH THE CENTER GUIDED LEAVING NO SCREWS EXPOSED.
  - BASE CABINETS AND COUNTERTOP.
  - LINE OF WALL CABINETS ABOVE.
  - 24" LONG TOWEL BAR - 54" A.F.F. (58" A.F.F. ABOVE TOILET).
  - REFRIGERATOR LOCATION.
  - DOUBLE BOWL SINK AND FAUCET.
  - RANGE LOCATION.
  - DISHWASHER LOCATION.
  - 10" X 10" BUILT-UP COLUMN - TYPICAL. SEE DETAIL D, SHEET A304 FOR MORE INFORMATION.
  - TOILET PAPER DISPENSER.
  - (4) 16" DEEP WIRE SHELVES (24", 42", 58", 68" A.F.F.) - STANDARD SPACINGS. TYPICAL AT LINEN CLOSETS AND PANTRIES, UNLESS NOTED OTHERWISE.
  - FURNACE LOCATION.
  - TANKLESS WATER HEATER.
  - 10" X 10" BUILT-UP COLUMN / PILASTER - TYPICAL. SEE DETAIL F, SHEET A304 FOR MORE INFORMATION.
  - 16'-0" X 8'-0" ATTIC STORAGE ABOVE - PROVIDE 3/4" APA RATED SUB-FLOORING ON BOTTOM CHORD OF TRUSSES. OSB SHEATHING RATED FOR 20 PSF LIVE LOAD IS PERMITTED AS AN ALTERNATE.
  - 1/2" WALL TO UNDERSIDE OF BAR COUNTERTOP.
  - HOSE BIBB LOCATION.
  - SURFACE MOUNTED ELECTRIC PANEL LOCATION.
  - PROVIDE (2) JACKS UNDER ALL HEADERS IN OPENINGS OVER 60" WIDE - TYPICAL.
  - INDICATES MULTIPLE STUD COLUMN IN WALL - TYPICAL AT BEARINGS OF ALL WOOD BEAMS, GIRDER TRUSSES UNLESS NOTED OTHERWISE. SEE PLAN FOR NUMBER OF STUDS REQUIRED.
  - MINIMUM 1/2" DRYWALL ON GARAGE SIDE.
  - 32" X 60" STANDARD SHOWER BASE.
  - CUSTOM TILED WALK-IN SHOWER BASE - SEE PLAN FOR SIZE.
  - WOOD GUARD RAIL - SEE DETAIL K ON SHEET A304.
  - TILED CORNER SEAT OPTION - 30" WIDE X 18" A.F.F. HIGH.
  - FLAT DRYWALL CEILING ON UNDERSIDE OF BOTTOM CHORD OF ROOF TRUSSES OR FLOOR JOISTS.
  - FLAT DRYWALL CEILING @ 8'-4" A.F.F.
  - SOAP DISH - 5" HIGH X 1" WIDE.
  - DOWNPOUT LOCATION.
  - DOWNPOUT DISCHARGED INTO BLACK PIPE AND ROUTED UNDER WALKS OR PATIO.
  - EDGE OF DRIVEWAY.
  - 4" THICK SLAB TYPICAL @ CONCRETE WALKS/PORCHES/PATIOS.
  - CONTROL JOINTS - TYPICAL.
  - DASHED LINES INDICATE BOXED BEAM ABOVE.
  - 12" DEEP SHELF (60" A.F.F.) - VINYL COATED WIRE - STANDARD SPACINGS.
  - SHOWER WALL - 6'-0" A.F.F.
  - OPTIONAL GARAGE SHELVINGS.
  - OPTIONAL DESK.
  - COURTYARD GATE AND FENCE LOCATION.
  - DASHED LINE INDICATES OPTIONAL PATIO SECTION.
  - OPTIONAL WINDOW.
  - (4) 12" DEEP WIRE SHELVES (24", 42", 58", 68" A.F.F.) - STANDARD SPACINGS.
  - 32" X 60" SHOWER BASE WITH BUILT-IN SEAT.
  - HARDBOARD TREADS AND RISERS.
  - WOOD HANDRAIL - 34" ABOVE STAIR TREADS. RETURN ENDS TO WALL OR NEWEL POST.
  - SINGLE BOWL SINK AND FAUCET.
  - 20" RANGE LOCATION.



Foundation Development  
Group, LLC & Bel Haven, LLC  
Bel Haven  
Beckett Road  
West Chester, Ohio 45069

PROPRIETARY RIGHTS NOTICE  
COPYRIGHT 2007 EPCON COMMUNITIES FRANCHISING, INC.  
ALL RIGHTS ARE RESERVED IN THIS INFORMATION AND ALL RELATED ILLUSTRATIONS, PLANS, BLUEPRINTS, SKETCHES, DRAWINGS, OR ANY OTHER TANGIBLE EXPRESSIONS THEREOF, WHICH ARE THE PROPERTY OF EPCON COMMUNITIES FRANCHISING, INC., 500 STONEHEDGE PARKWAY, DUBLIN, OHIO 43017, TELEPHONE 614.682.3827. NO ONE MAY BUILD, LICENSE, REPRODUCE, OR DUPLICATE THIS WORK IN ANY WAY WITHOUT THE WRITTEN AUTHORIZATION OF EPCON COMMUNITIES FRANCHISING, INC.

THESE DRAWINGS SHALL BE USED IN CONFORMANCE WITH ALL LOCAL BUILDING, MECHANICAL, PLUMBING AND ELECTRICAL CODES AND SHALL MEET THE REQUIREMENTS OF THE HEALTH DEPARTMENT, FIRE MARSHAL, AMERICANS WITH DISABILITIES ACT ACCESSIBILITY GUIDELINES (ADAAG), THE FAIR HOUSING ACT ACCESSIBILITY GUIDELINES (FHAG), AND SHALL BE CONSTRUCTED IN CONFORMANCE WITH STATE AND LOCAL ENERGY REQUIREMENTS.

Prototype Disk No.	Interim Page Revision	Date
		8/10/20

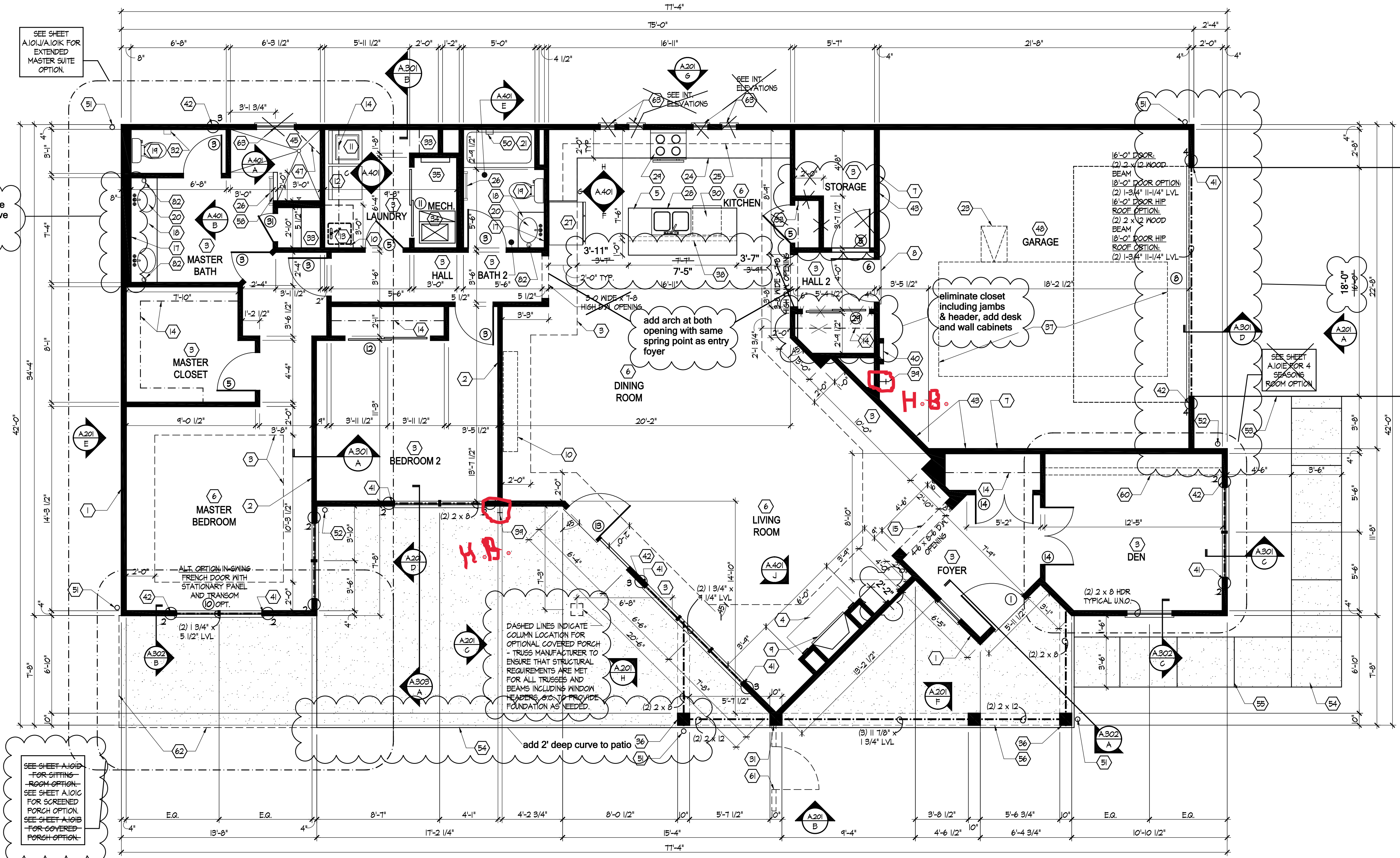
Architect Project Number  
2019-044

Community Dates & Revisions	
Date Originated	20 FEB 2020
Bid Permit Construction	
Revisions	
▲	▲
▲	▲
▲	▲

Drawing Title  
First Floor Plan

Architectural Style  
European Country

Sheet Number  
A.101  
D3M - 2010



SEE SHEET A101 FOR EXTENDED MASTER SUITE OPTION.

add (3) square windows above vanity

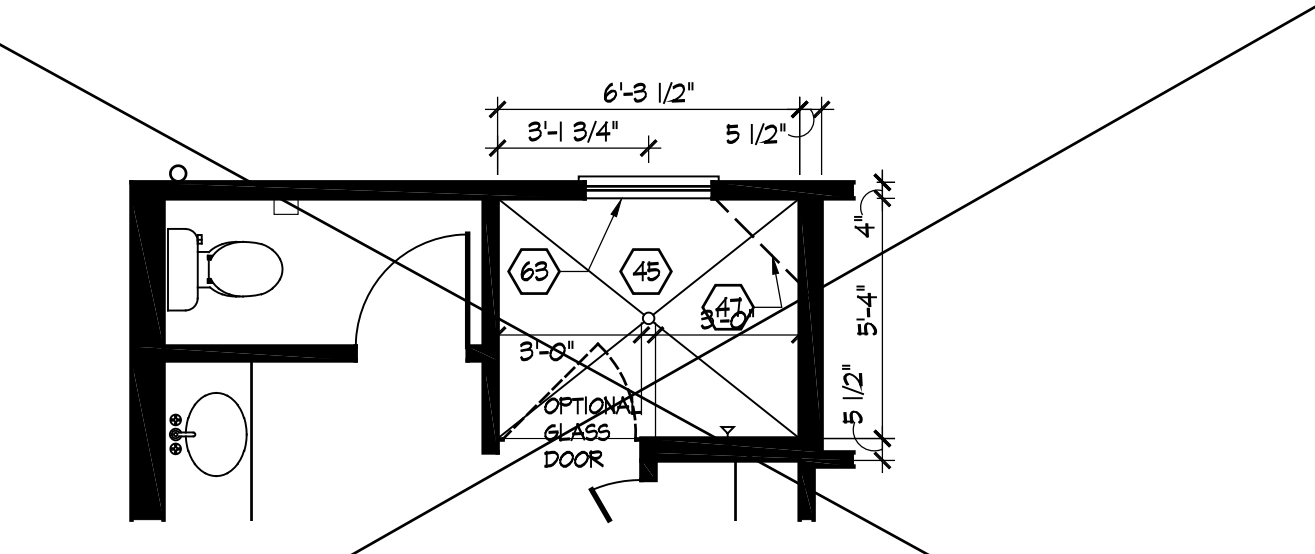
add arch at both opening with same spring point as entry foyer

eliminate closet including jambs & header, add desk and wall cabinets

DASHED LINES INDICATE COLUMN LOCATION FOR OPTIONAL COVERED PORCH - TRUSS MANUFACTURER TO ENSURE THAT STRUCTURAL REQUIREMENTS ARE MET FOR ALL TRUSSES AND BEAMS INCLUDING WINDOW HEADERS. SEE TO PROVIDE FOUNDATION AS NEEDED.

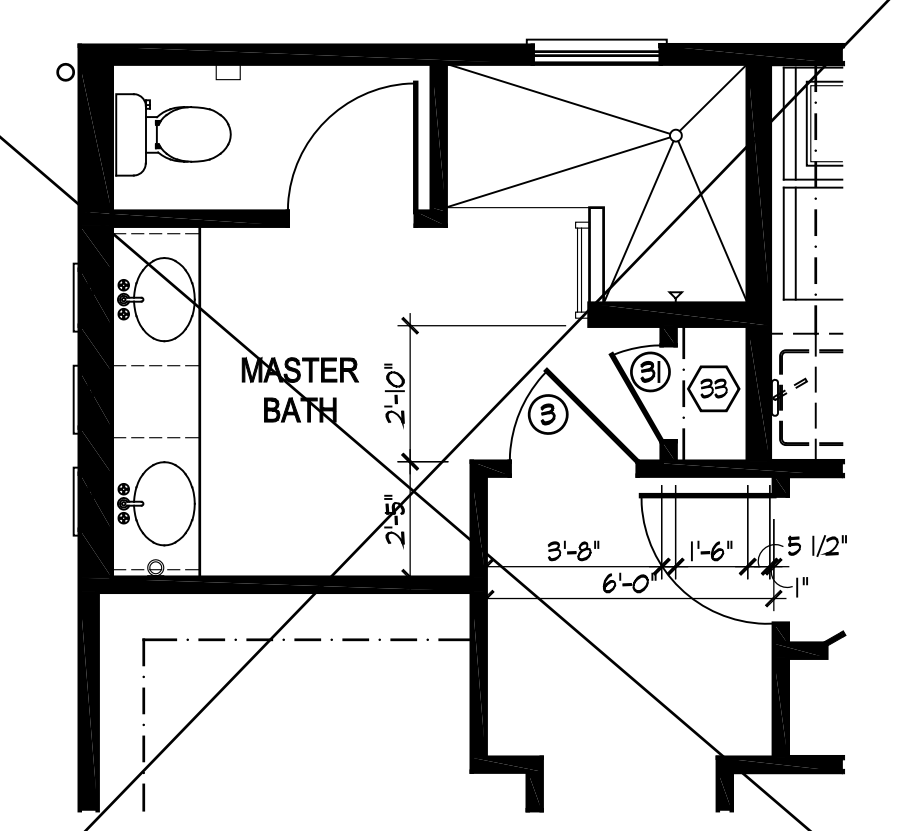
First Floor Plan

Scale: 1/4" = 1'-0"



Master Bath - Optional Alternate Walk-In Shower

Scale: 1/4" = 1'-0"



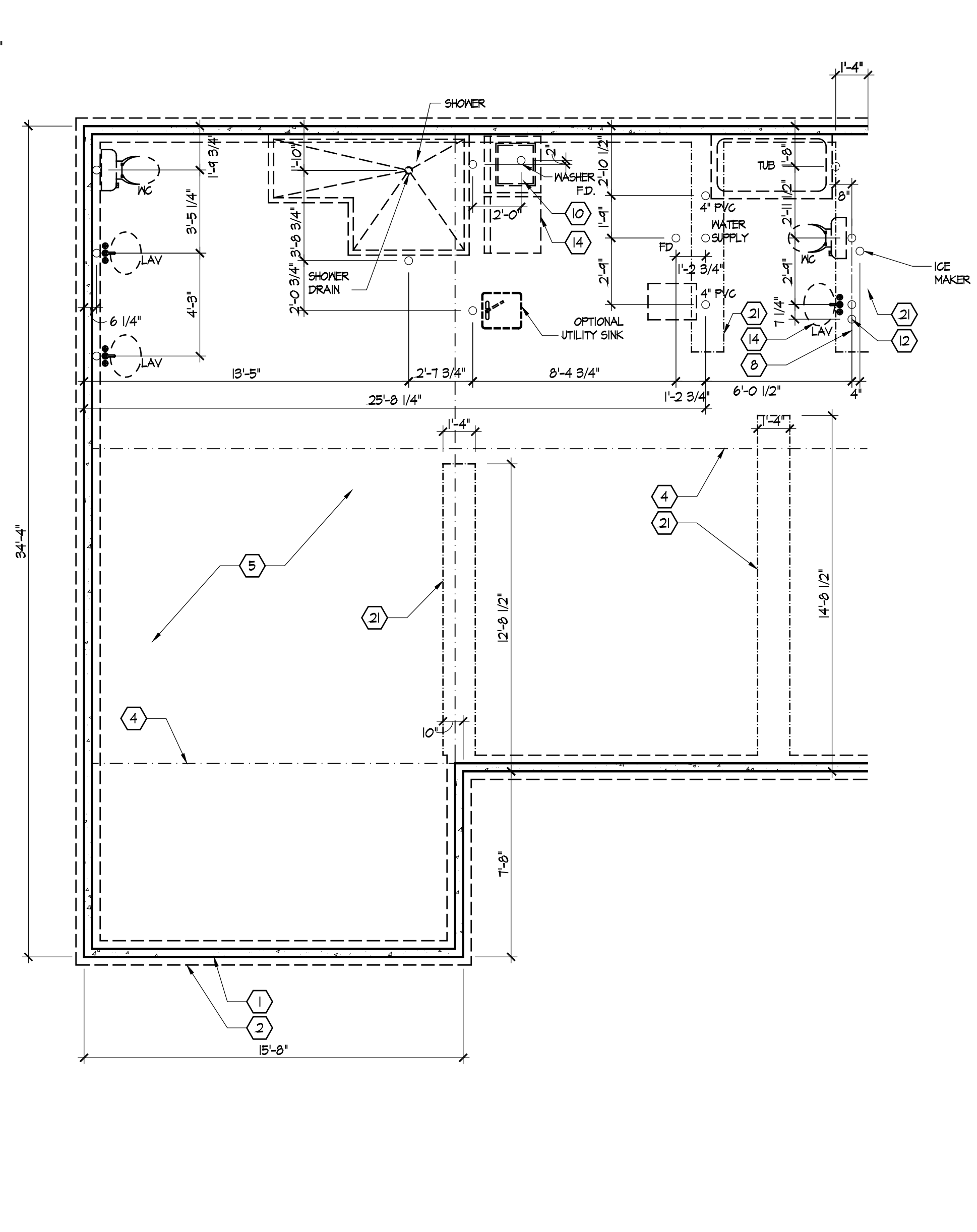
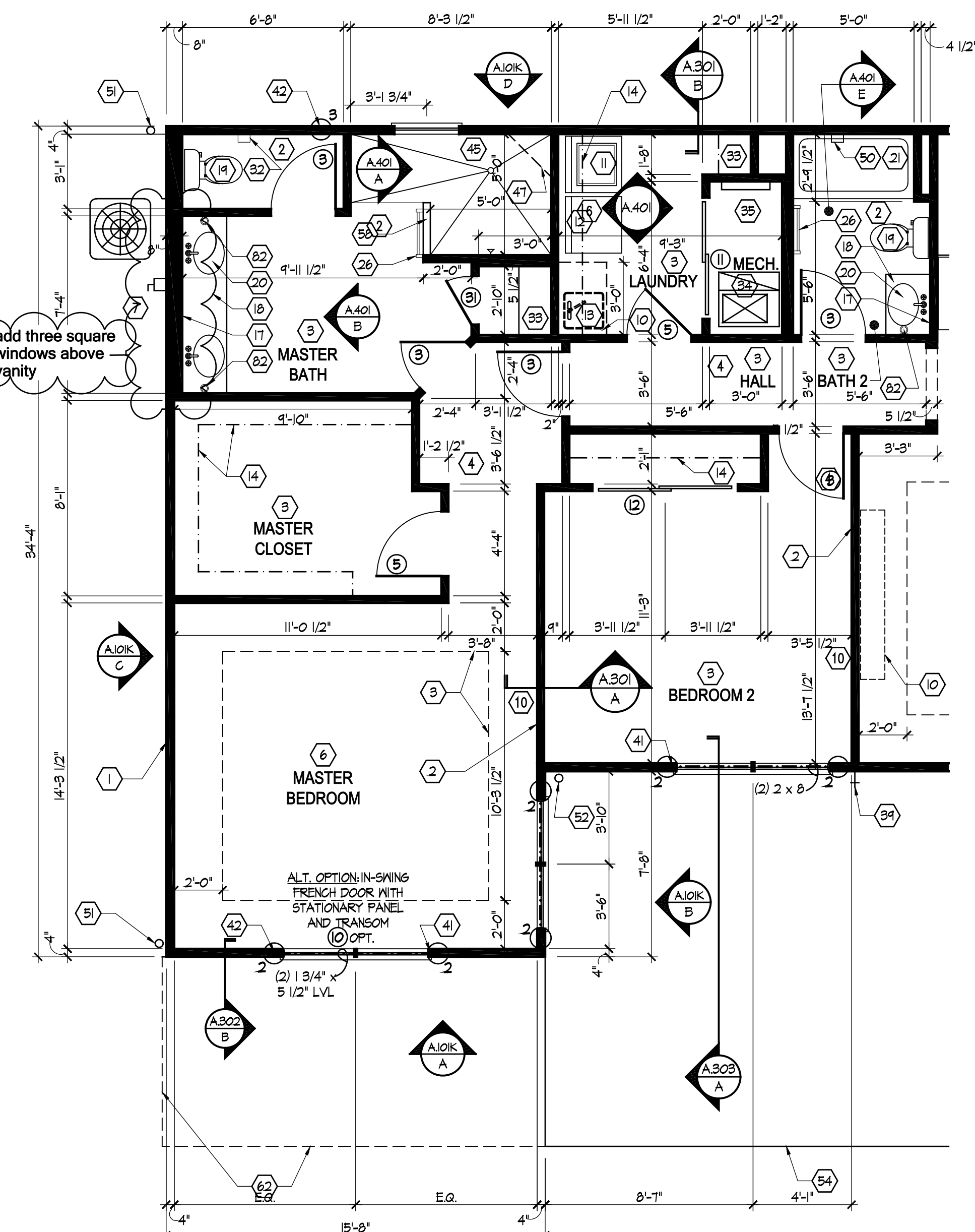
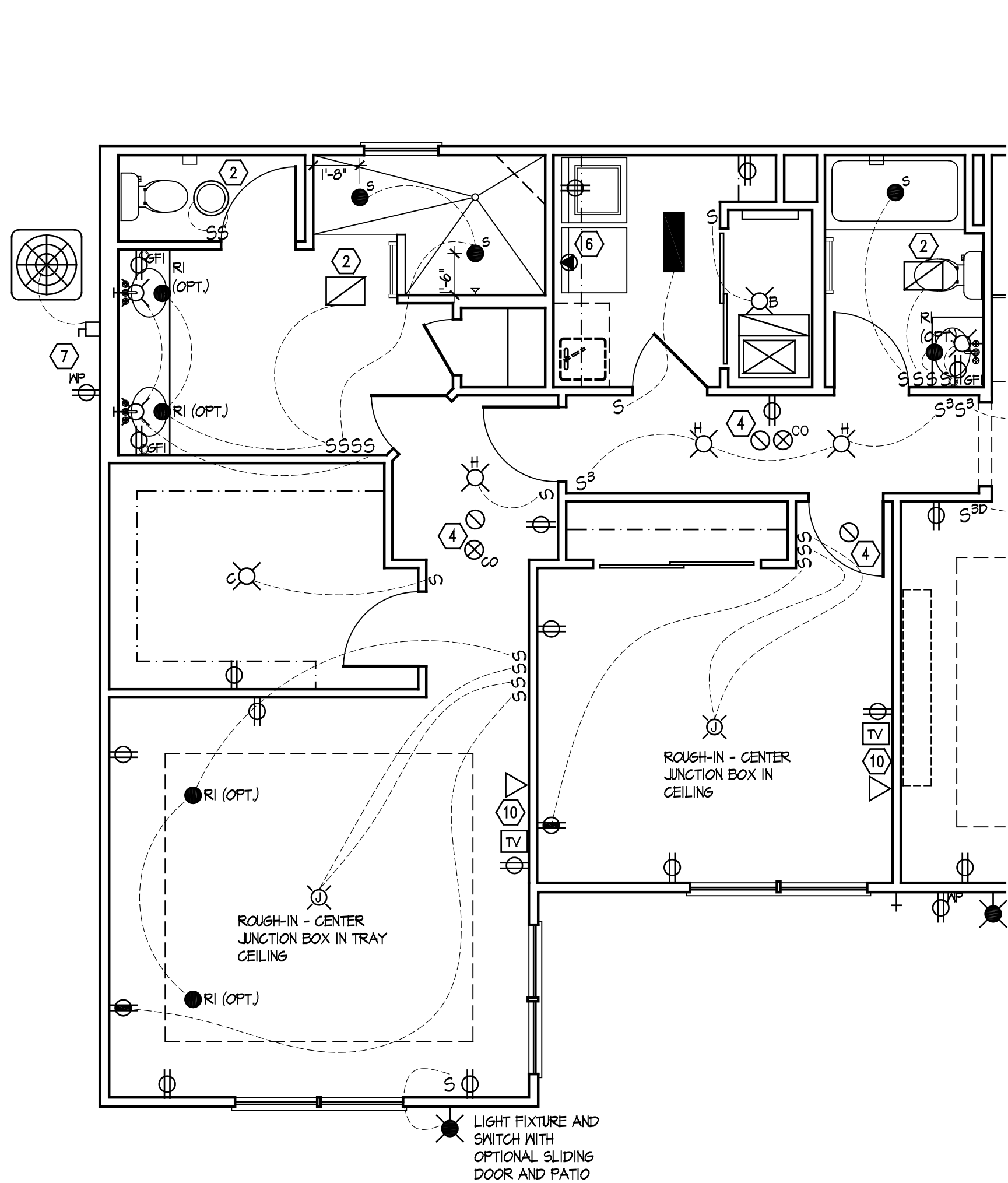
Master Bath - Optional Entry

Scale: 1/4" = 1'-0"

- FLAT DRYWALL CEILING @ 8'-0" A.F.F.
- LINE OF BREAK OF SLOPED DRYWALL CEILING - FOLLOW BOTTOM CHORD OF ROOF TRUSSES OR RAFTERS ABOVE.
- SLOPED CEILING AREA ABOVE.
- ATTIC ACCESS PANEL: 22" X 30" MINIMUM. PANEL TO BE 6" MIN. ABOVE BASE IF LOCATED IN KNEE WALL. PANEL TO HAVE 1" QUARTER ROUND MOLDING AROUND EDGE. PANEL SHALL BE WEATHER-STRIPPED AND INSULATED TO A LEVEL EQUIVALENT TO THE INSULATION ON THE SURROUNDING SURFACES. IF IN THE CEILING, A BATTLE IS REQUIRED TO CONTAIN LOOSE-FILL INSULATION.
- UNDER THE COUNTER REFRIGERATOR LOCATION.
- FLAT DRYWALL CEILING @ 7'-0" A.F.F.
- 2 X 6 HALF WALL @ 36" A.F.F. WITH 1 X 8 HARDWOOD CAP - 1/2" LAG BOLT EACH END THRU SUB FLOOR.
- SINGLE CLOSET ROD & SHELF (48" A.F.F.) - VINYL COATED WIRE WITH STANDARD SPACINGS.
- KNEE WALL: 2 X 4 WOOD STUDS AT 16" O.C. WITH 1/2" DRYWALL ON ALL INTERIOR SURFACES AND 1/4" O.S.B. BACKER PANEL ON EXTERIOR SURFACES - TYPICAL. RUN FROM FLOOR STRUCTURE BELOW TO UNDERSIDE OF ROOF FRAMING.
- NOT USED.
- NOT USED.
- DASHED LINE INDICATES 8" CEILING SOFFIT FOR SANITARY LINES FROM BONUS ROOM.
- TOWEL RING.

Foundation Development  
Group, LLC & Bel Haven, LLC  
Bel Haven  
Beckett Road  
West Chester, Ohio 45069

**PROPRIETARY RIGHTS NOTICE**  
COPYRIGHT 2007 EPCON COMMUNITIES FRANCHISING, INC.  
ALL RIGHTS ARE RESERVED IN THIS INFORMATION AND ALL RELATED ILLUSTRATIONS, PLANS, BLUEPRINTS, SKETCHES, DRAWINGS, OR ANY OTHER TANGIBLE EXPRESSIONS THEREOF, WHICH ARE THE PROPERTY OF EPCON COMMUNITIES FRANCHISING, INC. 500 STONEHENGE PARKWAY, DUBLIN, OHIO 43017, TELEPHONE 614-862-3507. NO ONE MAY BUILD, LICENSE, TRANSFER, REPRODUCE OR DUPLICATE THIS WORK IN ANY WAY WITHOUT THE WRITTEN AUTHORIZATION OF EPCON COMMUNITIES FRANCHISING, INC.  
  
THESE DRAWINGS SHALL BE USED IN CONFORMANCE WITH ALL LOCAL BUILDING, MECHANICAL, PLUMBING AND ELECTRICAL CODES AND SHALL MEET THE REQUIREMENTS OF THE HEALTH DEPARTMENT, FIRE MARSHALL, AMERICANS WITH DISABILITIES ACT ACCESSIBILITY GUIDELINES (ADAAG), THE FAIR HOUSING ACT ACCESSIBILITY GUIDELINES (FHAG), AND SHALL BE CONSTRUCTED IN CONFORMANCE WITH STATE AND LOCAL ENERGY REQUIREMENTS.



Prototype Disk No.	Interim Revision	Page Revisions Date
		2/17/12

Architect Project Number  
2019-044

Community Dates & Revisions	
Date Originated	20 FEB 2020
Bid	
Permit	
Construction	
Revisions	
▲	▲
▲	▲
▲	▲

Drawing Title  
Extended Master Suite  
Plans and Electrical

Architectural Style  
European Country  
Sheet Number  
**A.101J(Ext)**  
D3M - 2010