

ISSUE	DESCRIPTION	DATE
01	BUILDER SET	1/19/2022

PROJECT
PLAN: 8025 Balmoral Court - Lot 46
ELEV: Elevation B

DRAWING TITLE
FOUNDATION PLAN

SHEET NUMBER
A-050

2.5 bath slab house
Stacked washer and dryer
Irrigation system
ice maker
Laundry Tub
Humidifier

Gas Furnace - Heater - Fireplace and Grill

STACKED W/D

H.B.

ADD TWO WINDOWS
R.O. 96 1/2" A.F.F
W/OUT TRANSOMS

DELETE DEN
DOORS
(CASING TO
REMAIN)

REDESIGN NICHE -
SEE SHEET
A.030

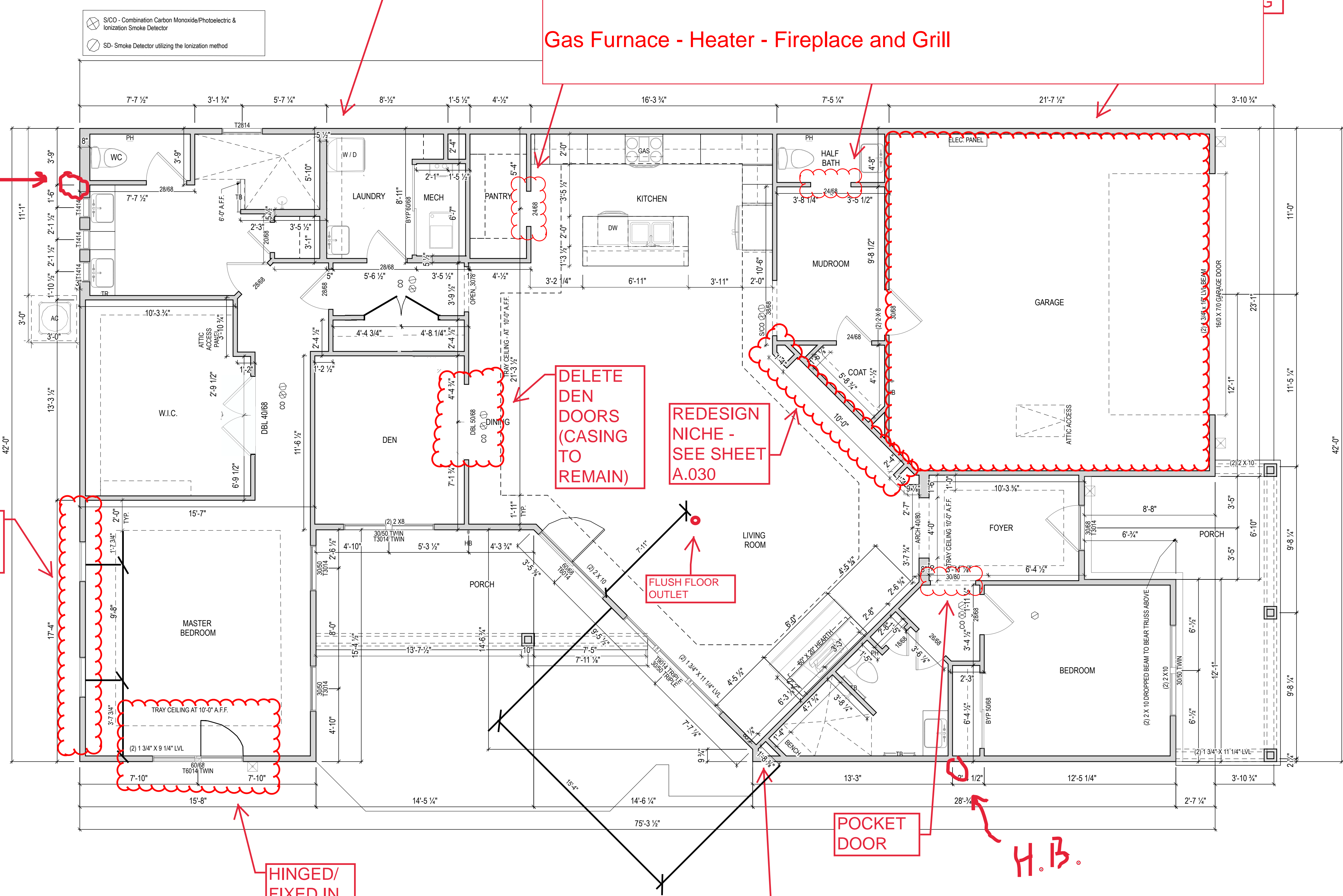
FLUSH FLOOR
OUTLET

POCKET
DOOR

ADD. GAS LINE
ROUGHED TO
EXTERIOR WALL

H.B.

HINGED/
FIXED IN
LIEU OF
SLIDER

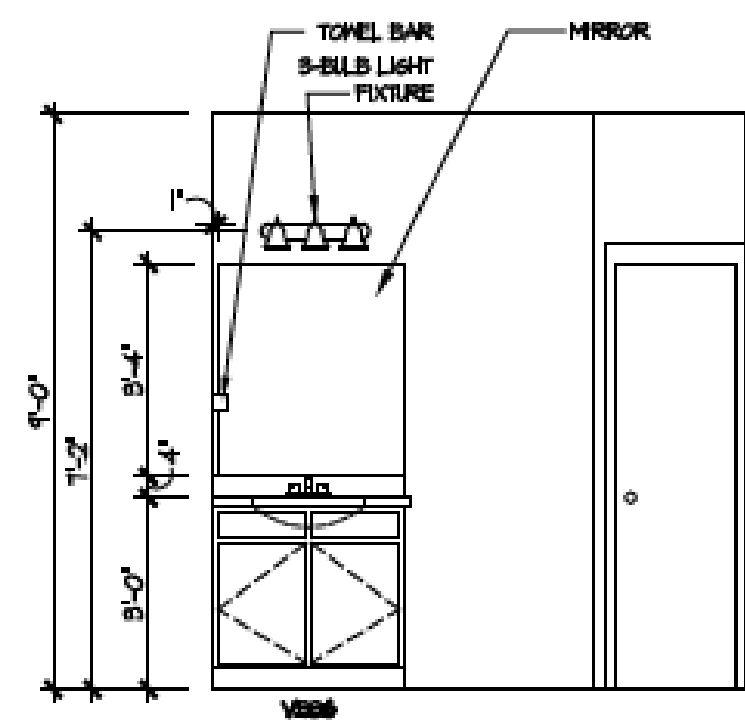


ISSUE	DESCRIPTION	DATE
01	BUILDER SET	1/19/2022

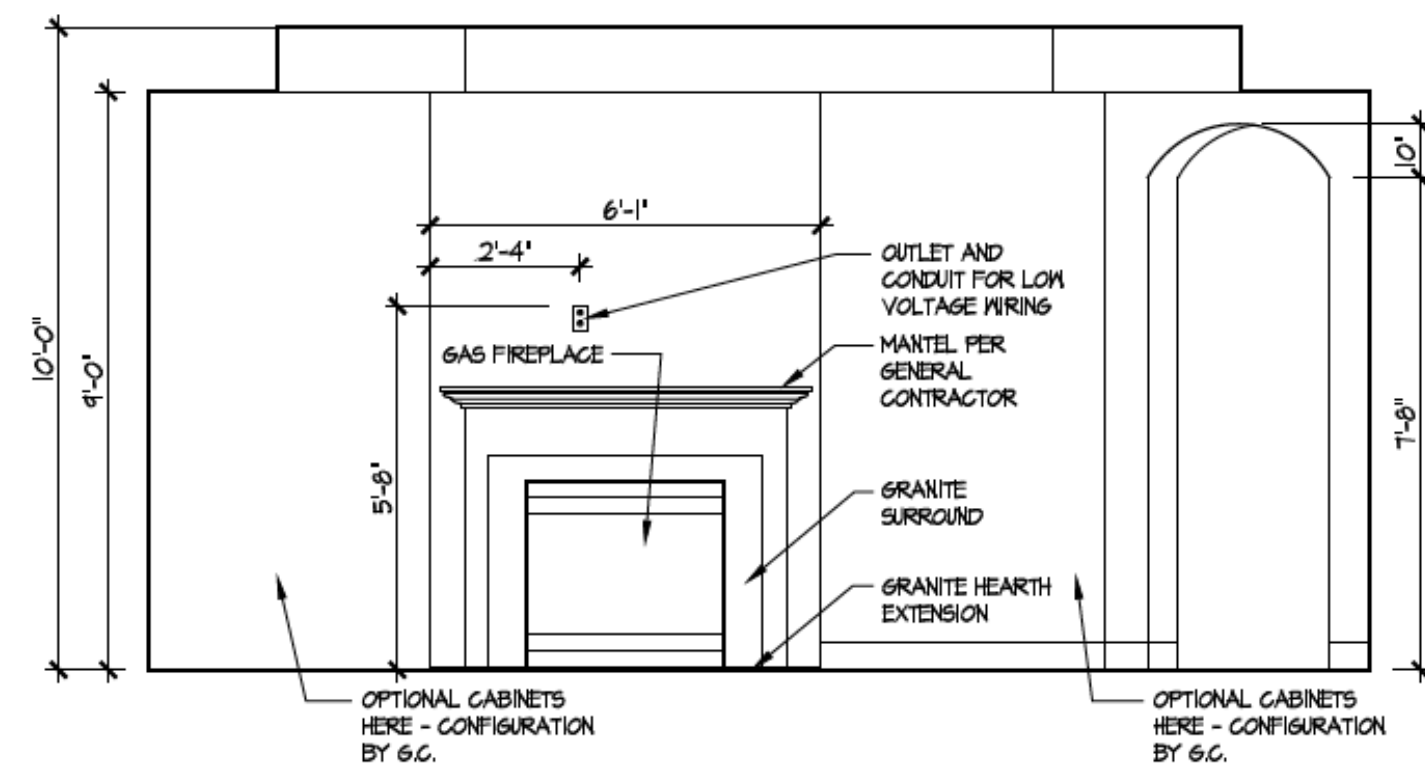
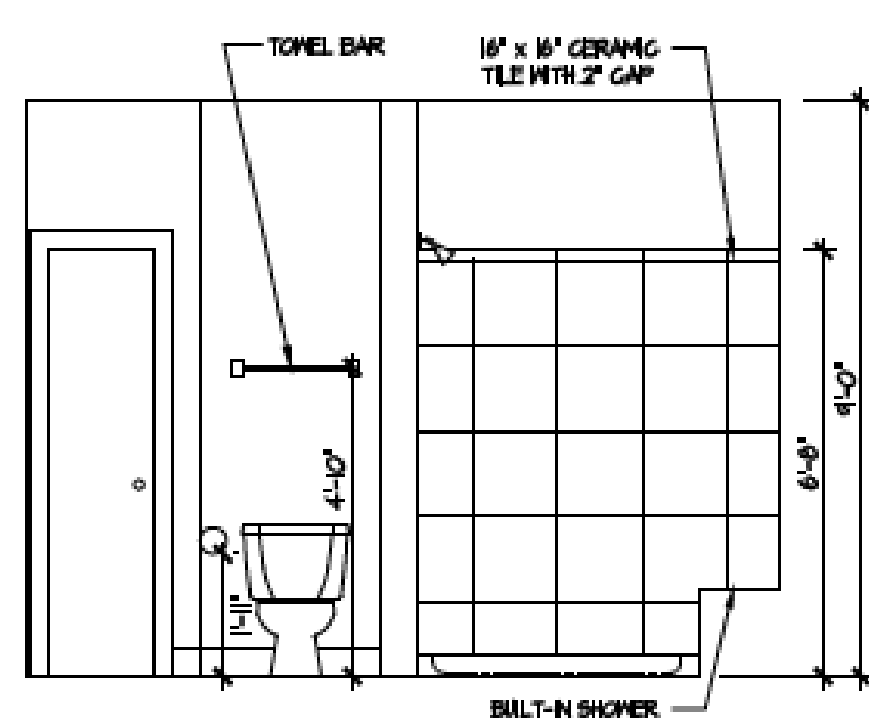
PROJECT
PLAN: 8025 Balmoral Court - Lot 46
ELEV: Elevation B

DRAWING TITLE
FIRST FLOOR

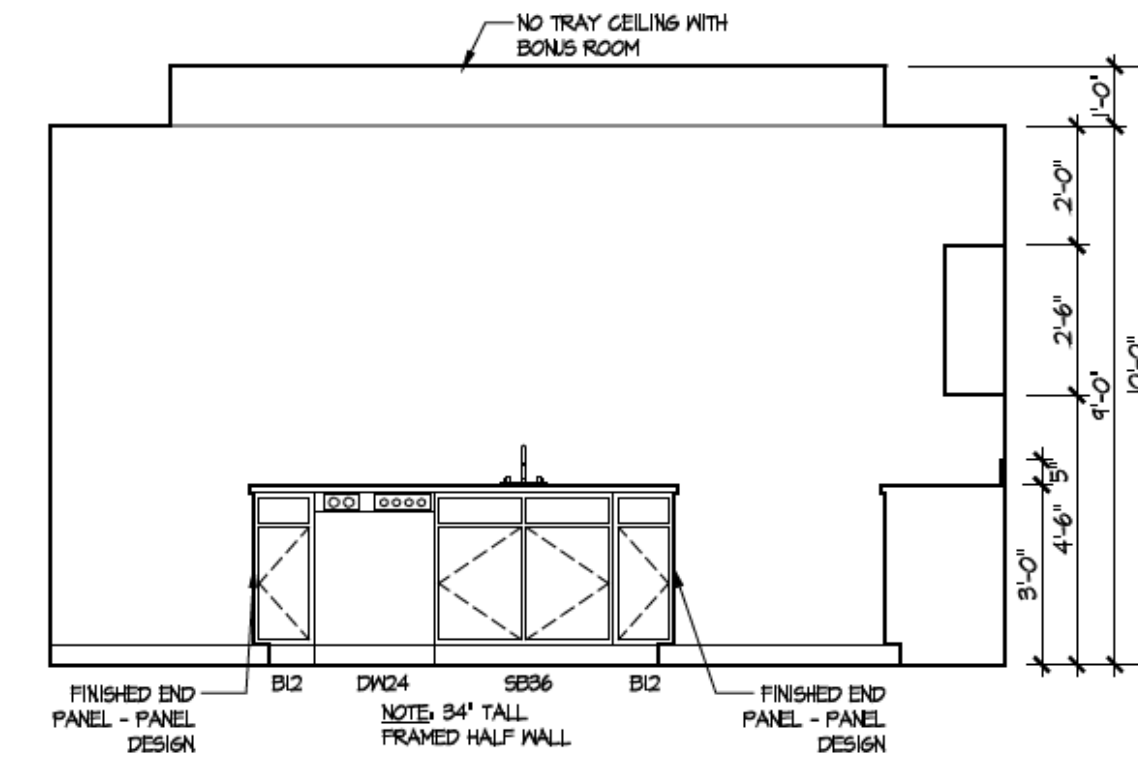
SHEET NUMBER
A-100



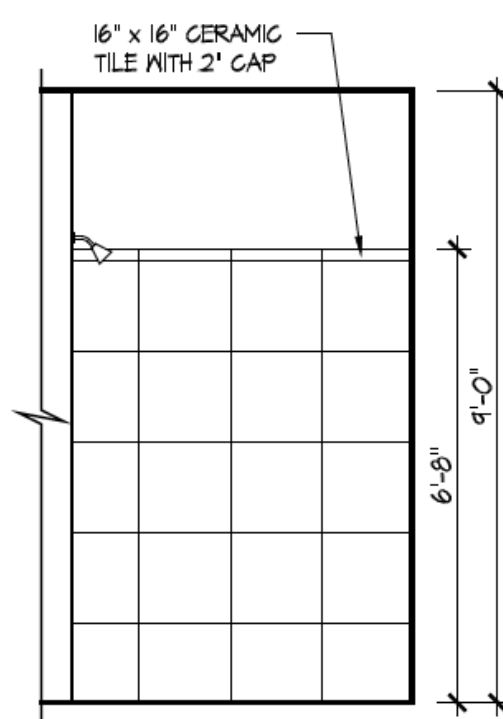
2 Bath 2 - Walk-In Shower
A-402



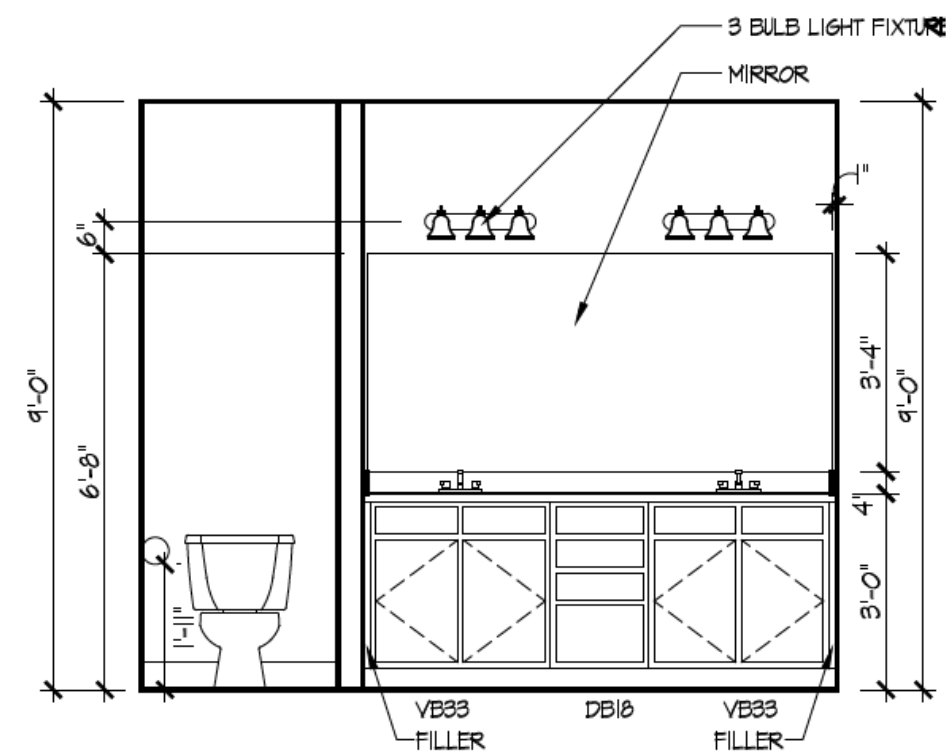
3 Fireplace
A-402



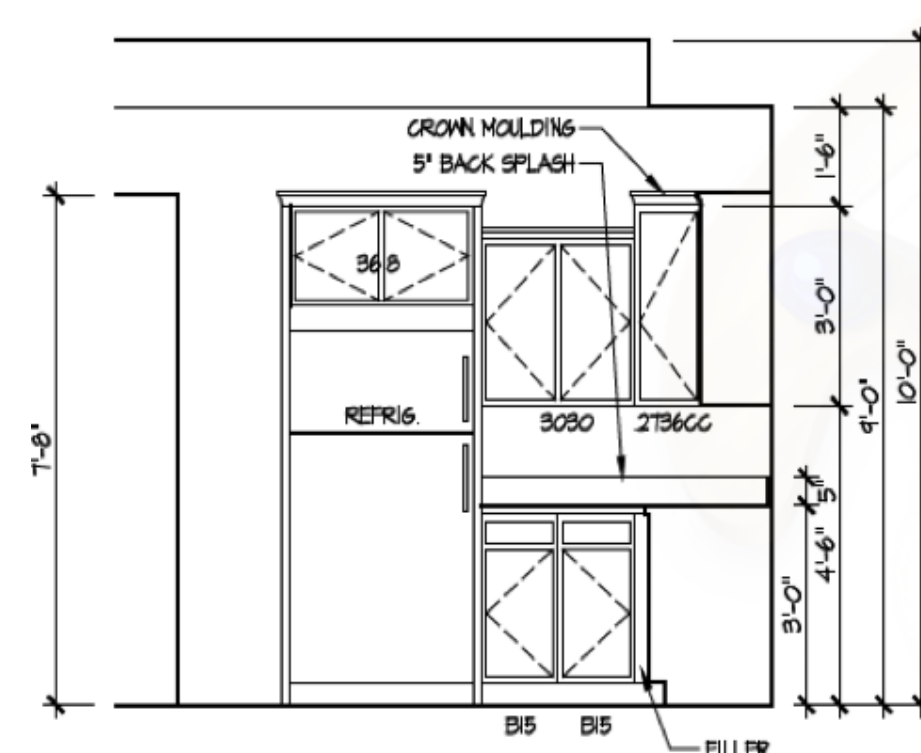
4 Kitchen - Island
A-402



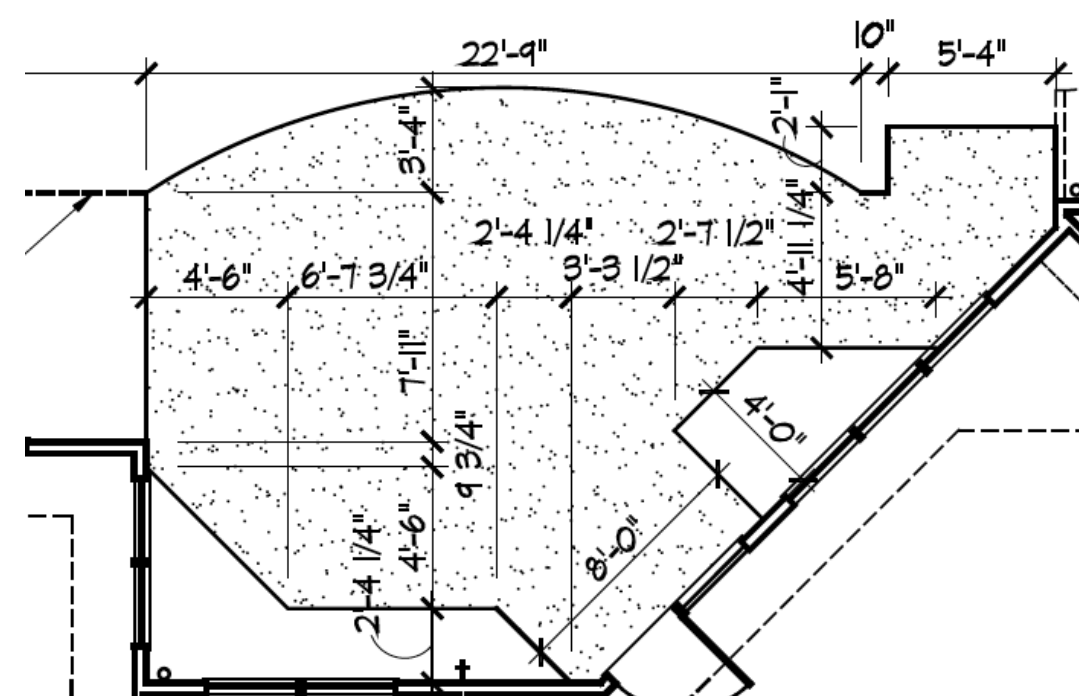
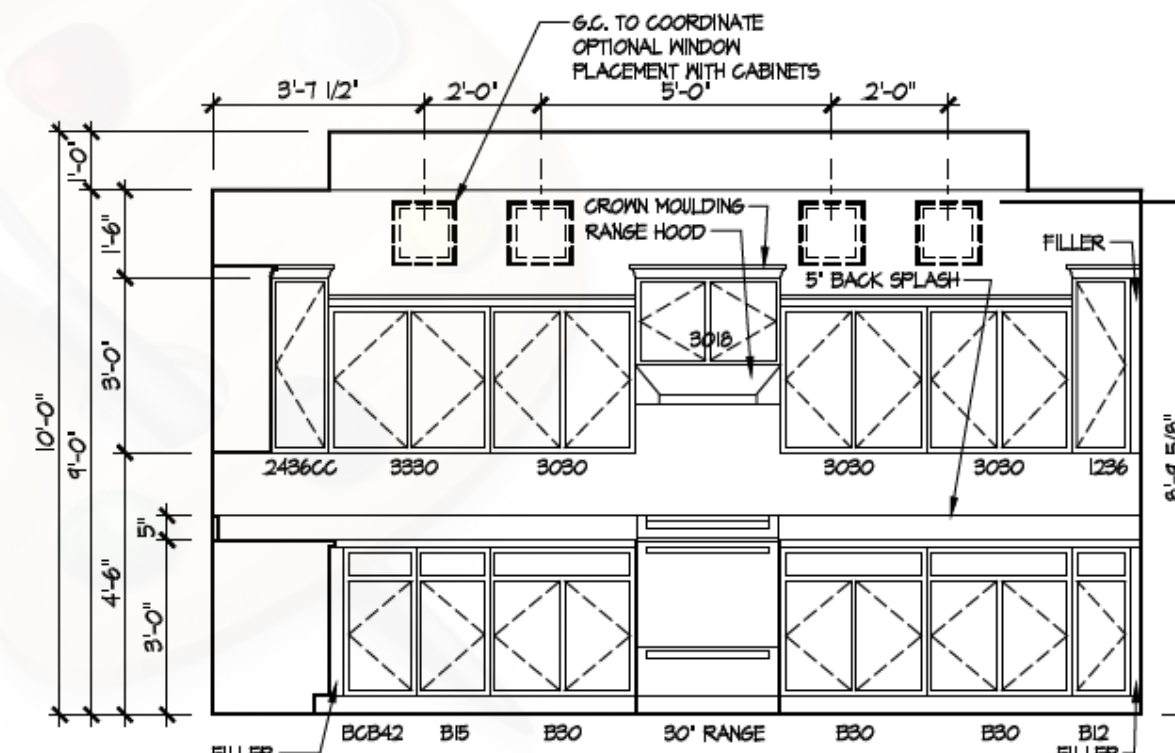
5 Master Bath Shower - Walk-in
A-402



6 Master Bath Vanity
A-402



7 Kitchen Staggered Layout
A-402



8 Courtyard with Cutouts
A-402

ISSUE	DESCRIPTION	DATE
01	BUILDER SET	1/19/2022

PROJECT
PLAN: 8025 Balmoral Court - Lot 46
ELEV: Elevation B

DRAWING TITLE
DETAILS

SHEET NUMBER
A-402