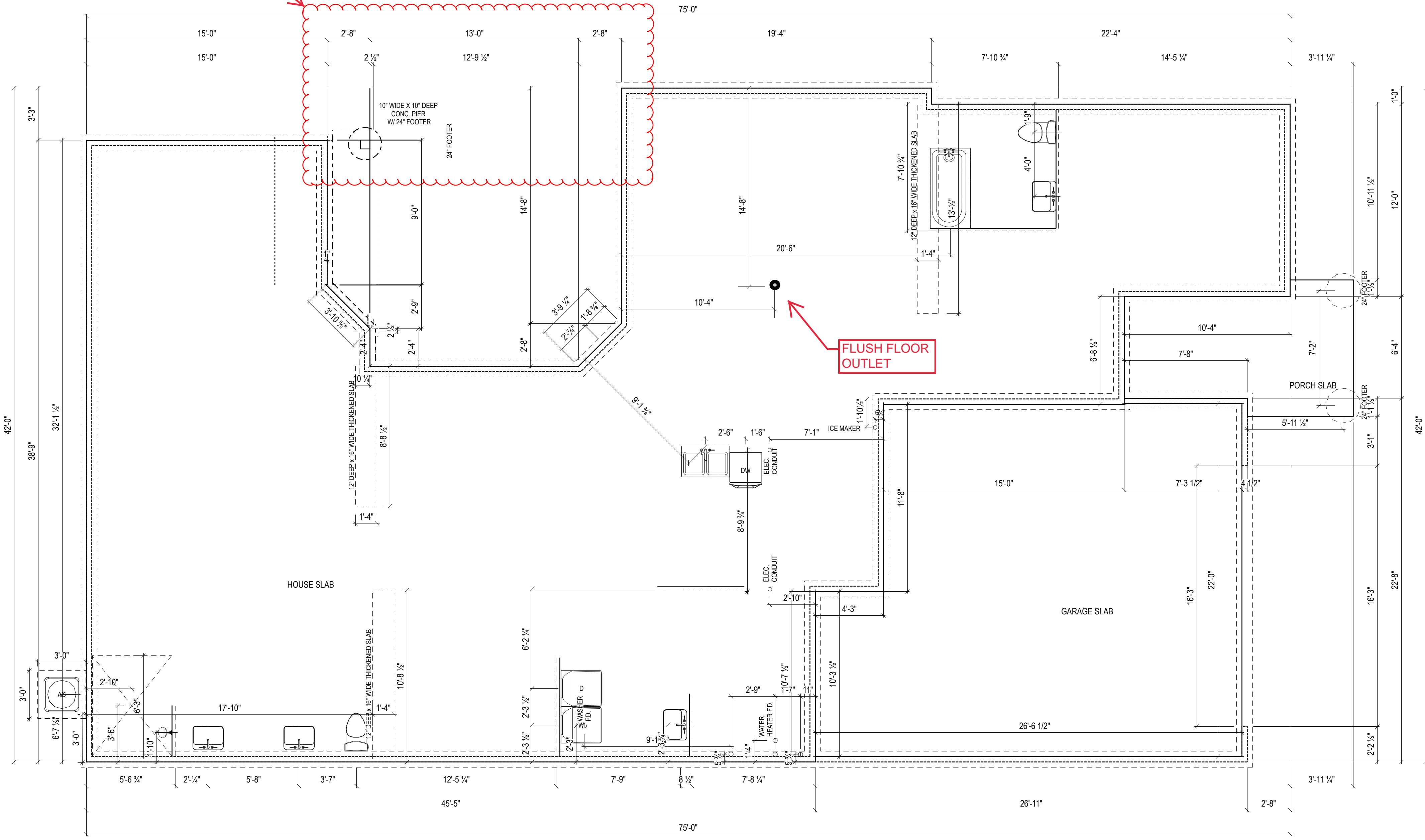


EXTENDED PATIO - ADDITIONAL 4' BEYOND STD.



EPCON OH - FDG
 Bel Haven LLC
 West Chester, OH,

ISSUE	DESCRIPTION	DATE
01	BUILDER SET	3/17/2022

PROJECT
 PLAN: BH Portico D2 D2+ - 4.5"
 ELEV: Elevation A - Euro Country
 LOT: 50

DRAWING TITLE
FOUNDATION PLAN

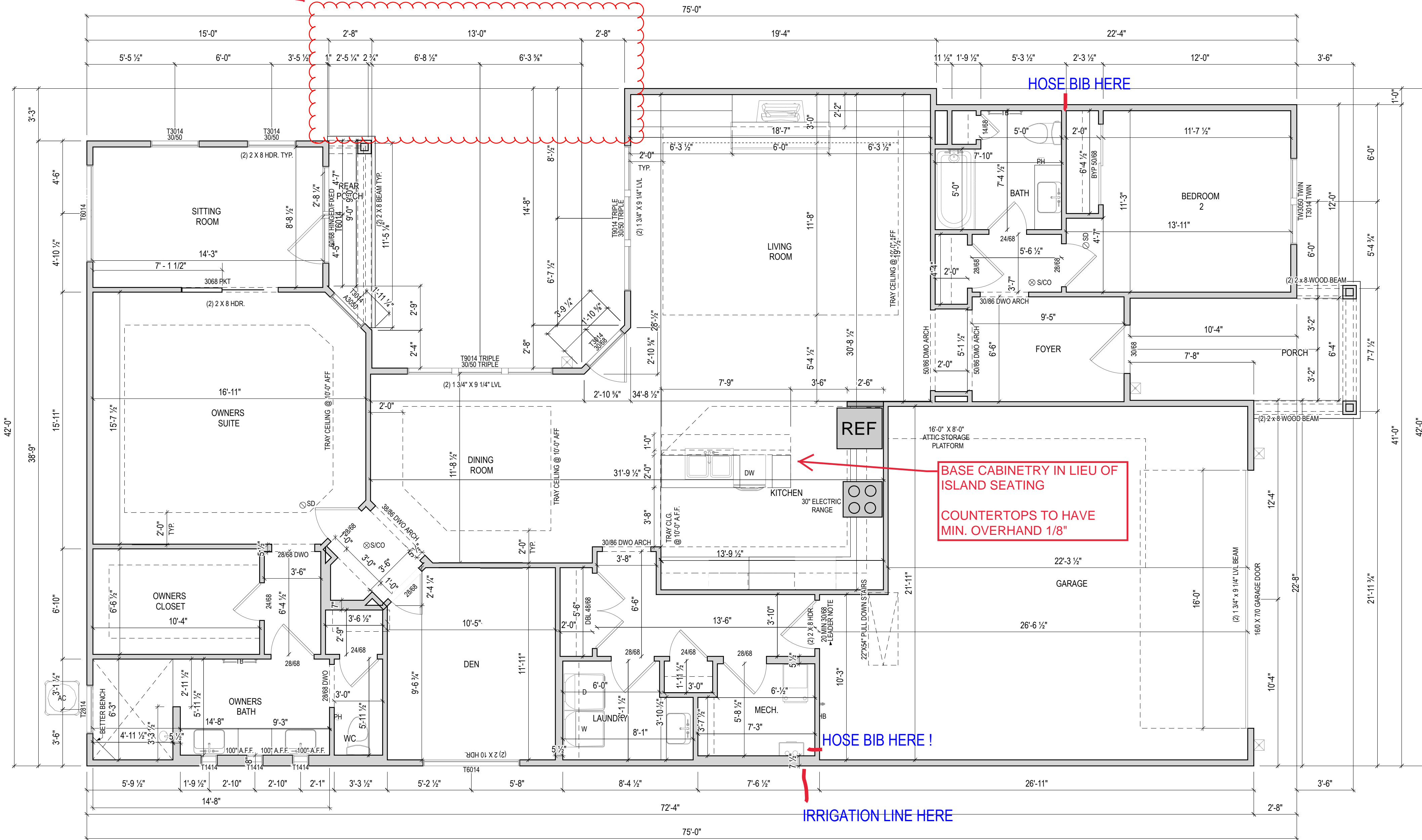
SHEET NUMBER
A-050

EXTENDED PATIO - ADDITIONAL 4' BEYOND STD.

1 Story Slab

Ice maker
Irrigation Line
Humidifier

Gas Furnace , Heater and Fireplace



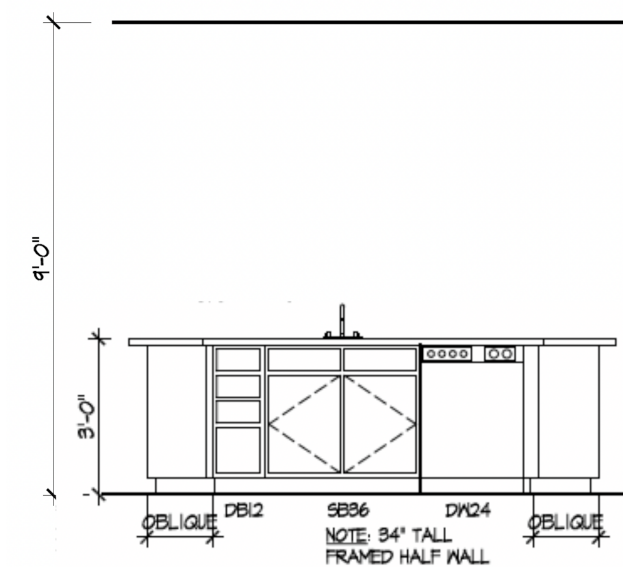
EPCON OH - FDG
Bel Haven LLC
West Chester, OH,

ISSUE	DESCRIPTION	DATE
01	BUILDER SET	3/17/2022

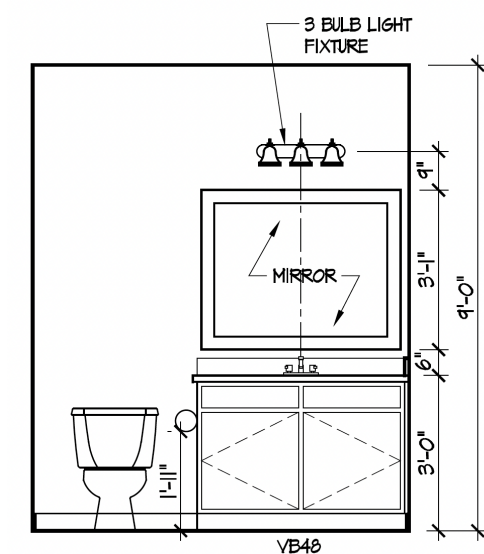
PROJECT
PLAN: BH Portico D2 D2+ - 4.5"
ELEV: Elevation A - Euro Country
LOT: 50

DRAWING TITLE
FIRST FLOOR PLAN

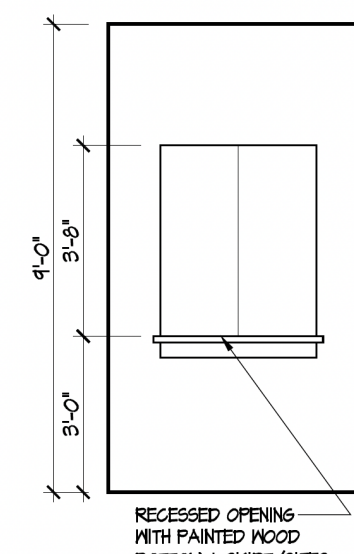
SHEET NUMBER
A-101



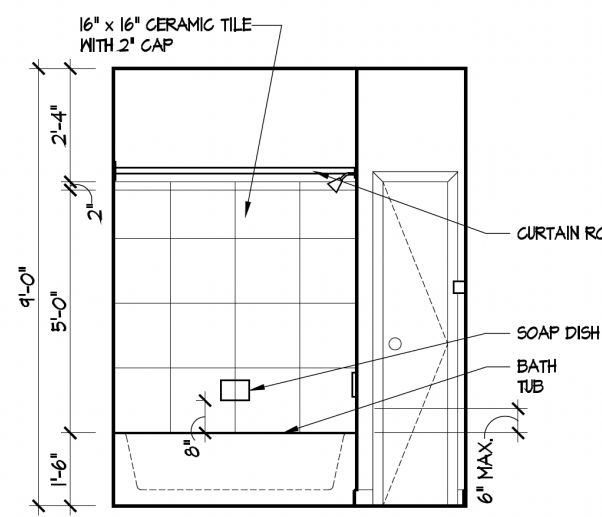
1 KITCHEN ISLAND
A-401



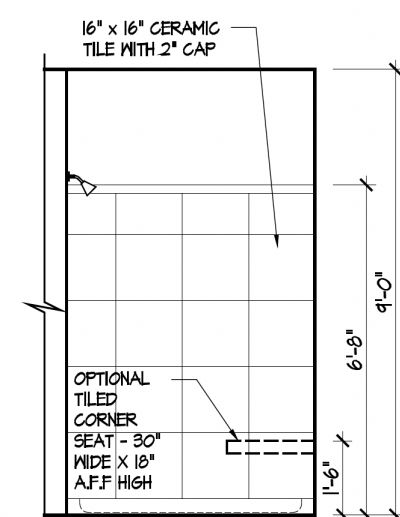
2 BATH 2 : VANITY
A-401



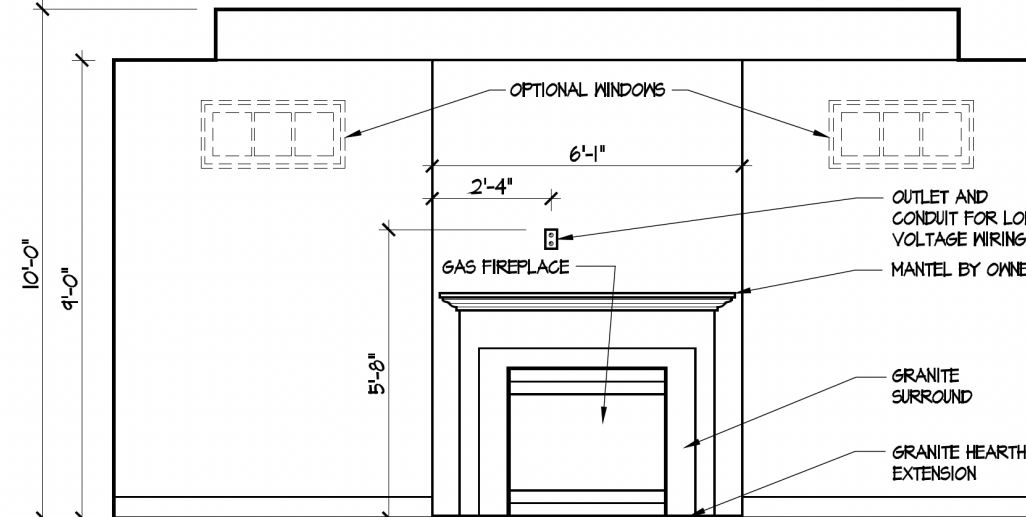
3 MASTER FOYER ENTRY
A-401



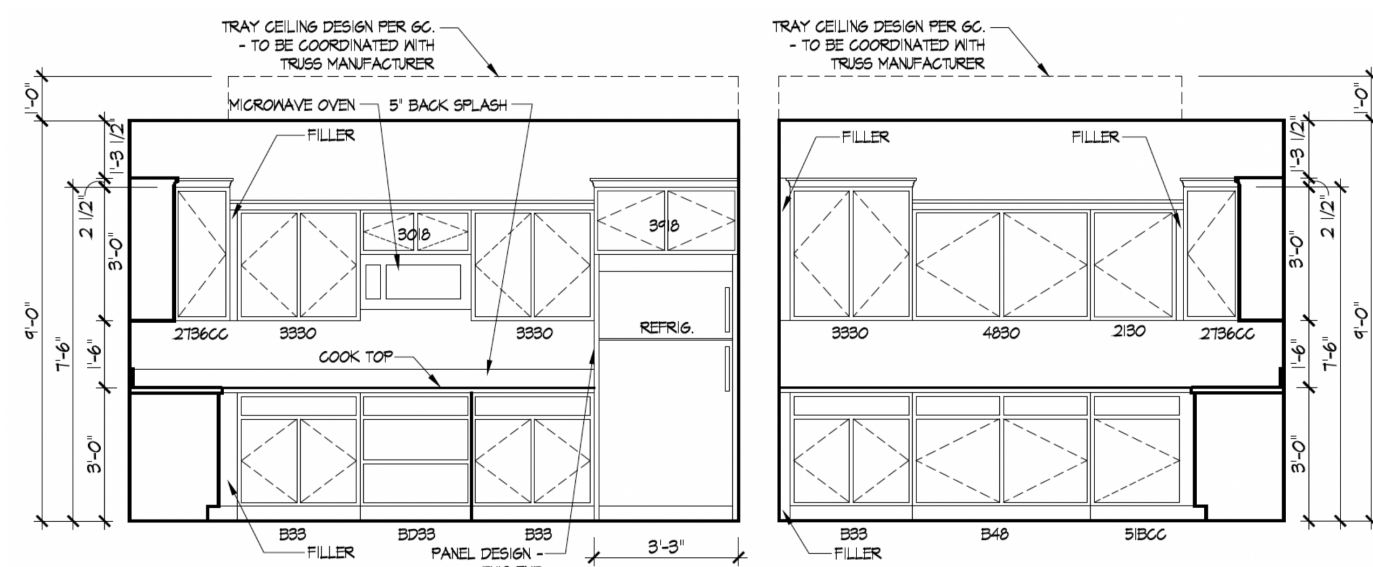
4 BATH 2: TUB/SHWR
A-401



5 MASTER SHOWER: ZERO THRESHOLD
A-401



6 FIREPLACE (D2+)
A-401



7 KITCHEN LAYOUT (D2+)
A-401

EPCON OH - FDG
Bel Haven LLC
West Chester, OH,

ISSUE	DESCRIPTION	DATE
01	BUILDER SET	3/17/2022

PROJECT
PLAN: BH Portico D2 D2+ - 4.5"
ELEV: Elevation A - Euro Country
LOT: 50

DRAWING TITLE
DETAILS

SHEET NUMBER
A-401