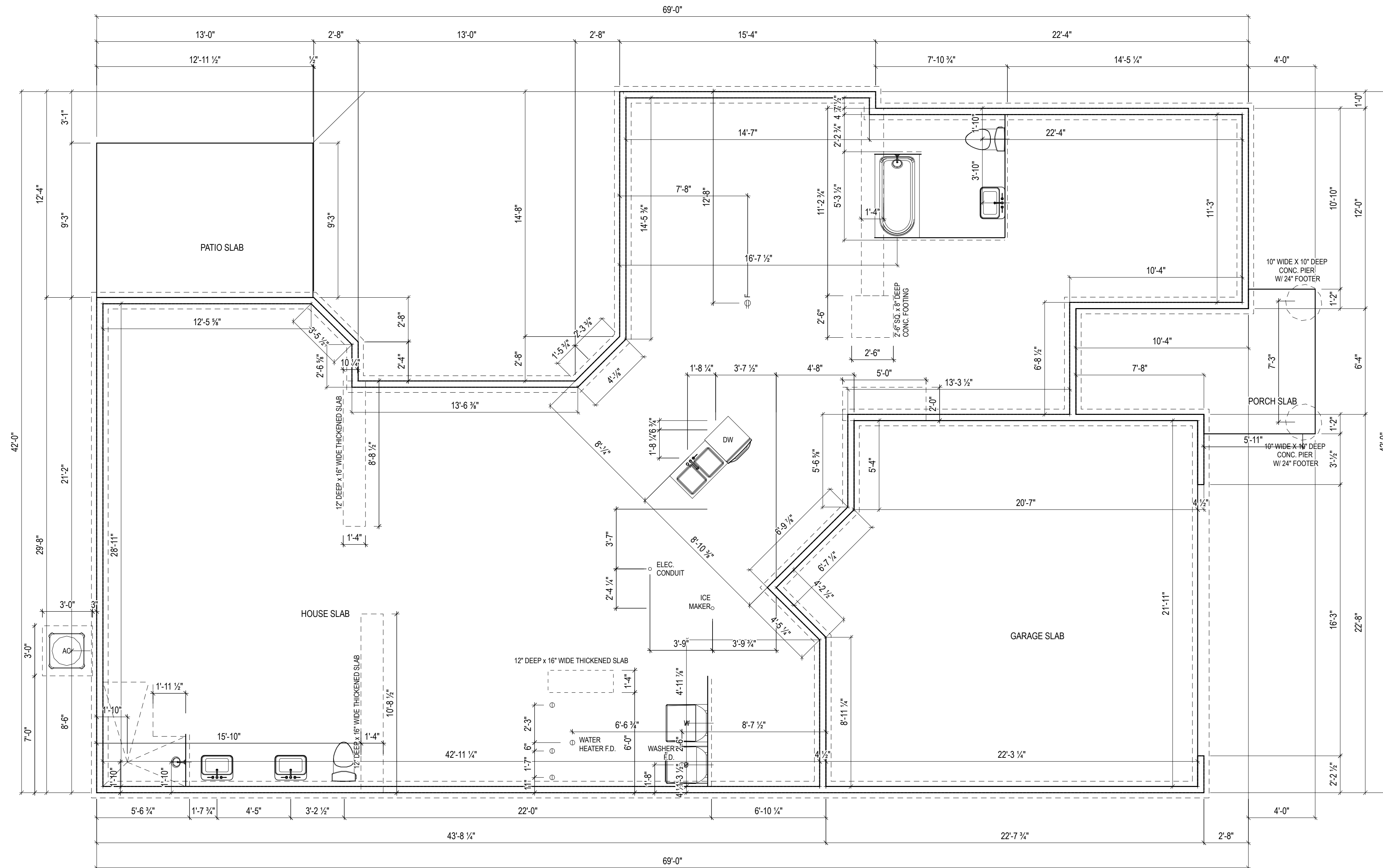


NOTES  
THICKENED SLAB SHALL BE REINFORCED  
WITH CONTINUOUS (2) #4 REBAR



ISSUE	DESCRIPTION	DATE
01	BUILDER SET	5/4/2023

PROJECT  
PLAN: BH Portico D2 D2+ - 4.5"  
ELEV: Elevation A - Euro Country  
LOT: 63

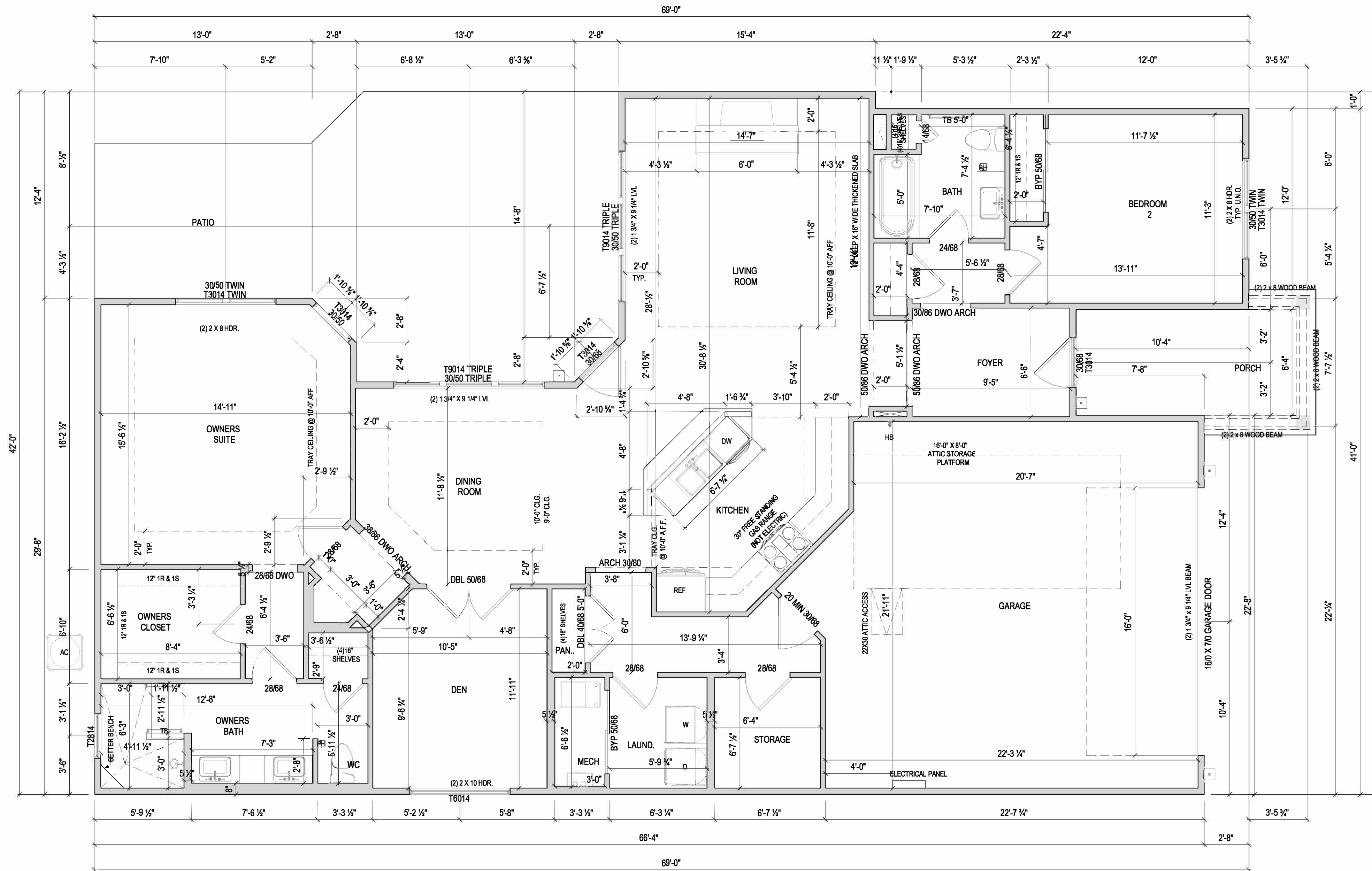
LOT ADDRESS:

DRAWING TITLE  
**FOUNDATION PLAN**

SHEET NUMBER  
**A-050**

BH 63 - 8181 S Bel Haven Lane  
 1 Story Slab  
 Ice maker  
 Irrigation Line  
 Humidifier Valve

Gas Furnace - Heater and Fireplace , Gas Range



1 FLOOR PLAN  
 A-101  
 1/8" = 1'-0" @ 11" x 17"

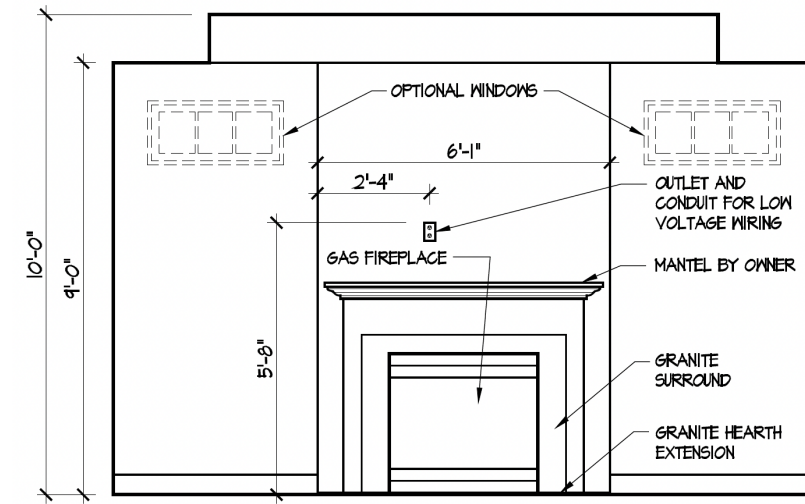
ISSUE DESCRIPTION	DATE
01 BUILDER SET	5/4/2023

PROJECT  
 PLAN: BH Portico D2 D2+ - 4.5"  
 ELEV: Elevation A - Euro Country  
 LOT: 63

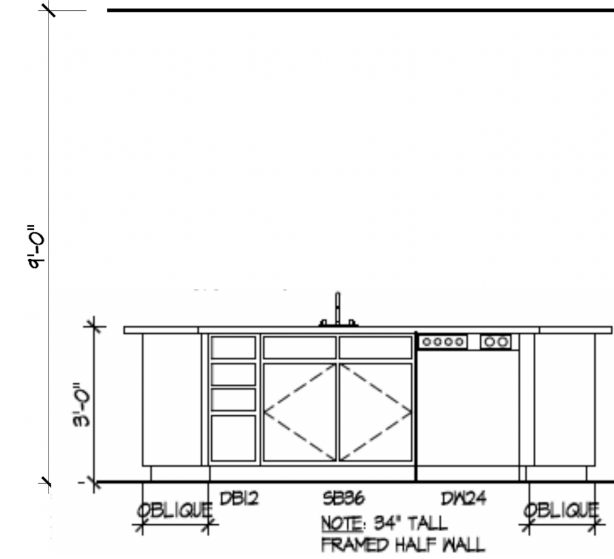
LOT ADDRESS:

DRAWING TITLE  
**FIRST FLOOR PLAN**

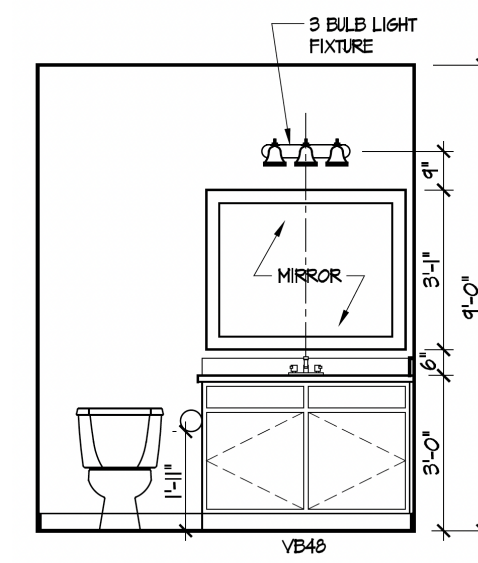
SHEET NUMBER  
**A-101**



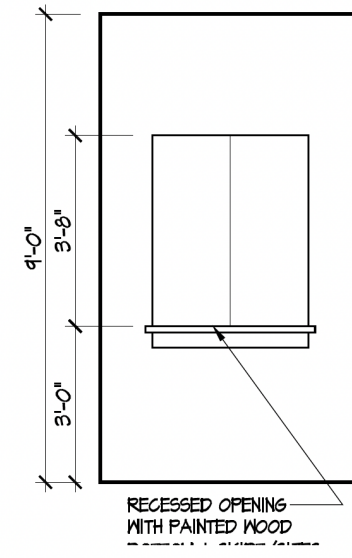
1 FIREPLACE (D2)  
A-401



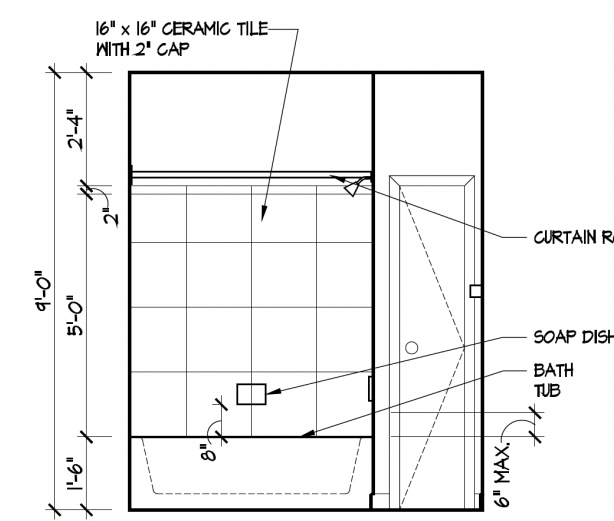
2 KITCHEN ISLAND  
A-401



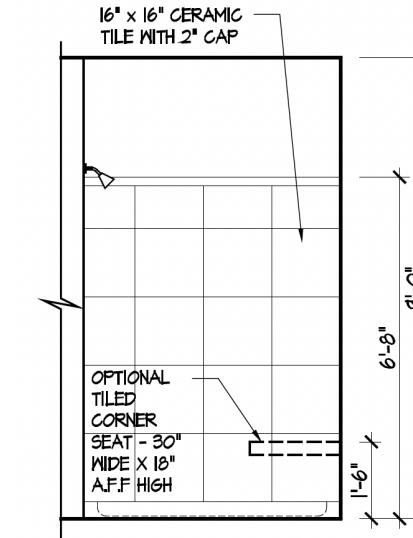
3 BATH 2 : VANITY  
A-401



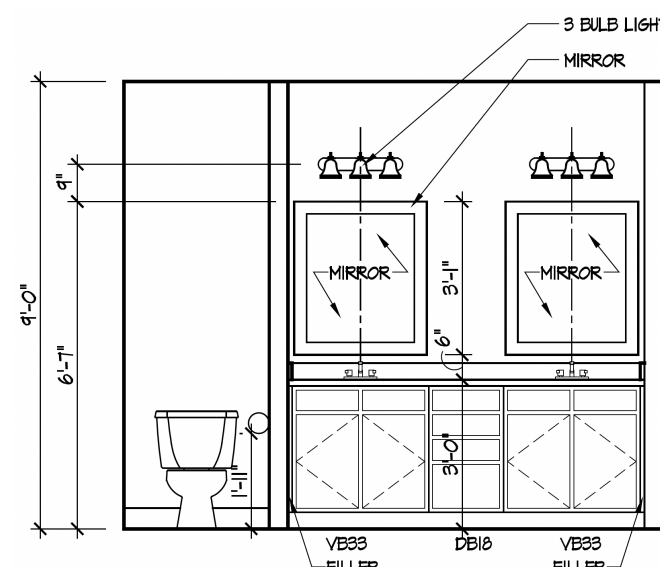
4 MASTER FOYER ENTRY  
A-401



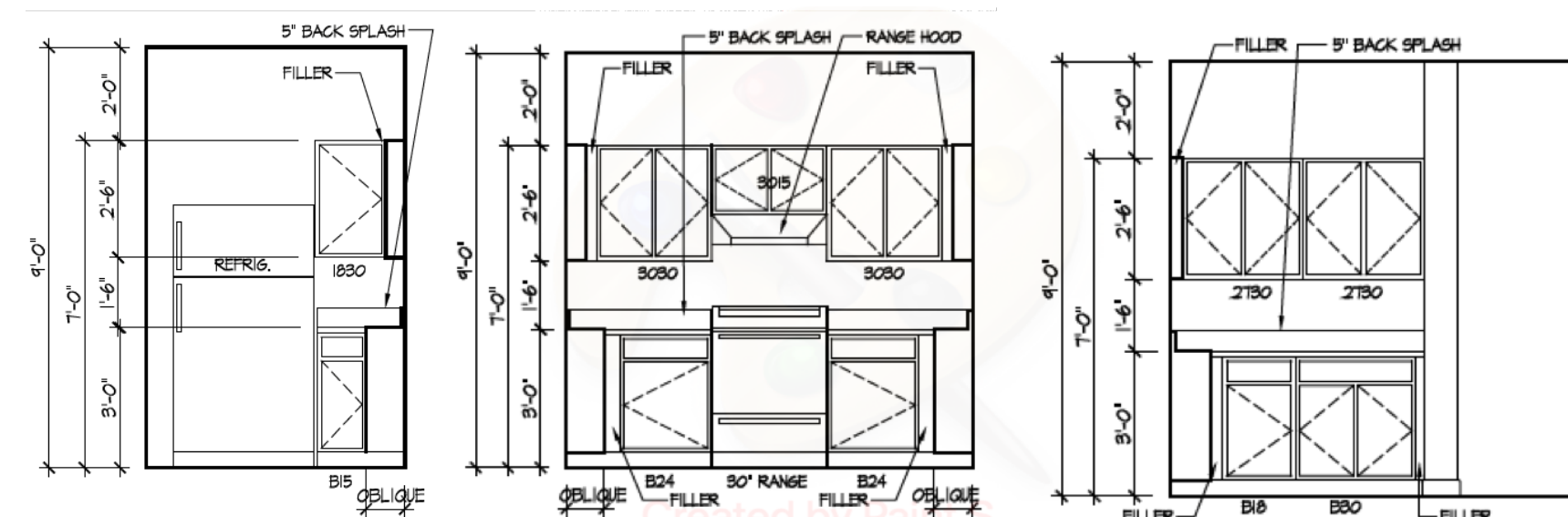
5 BATH 2: TUB/SHWR  
A-401



6 MASTER SHOWER: W/ SEAT  
A-401



7 MASTER BATH: VANITY  
A-401



8 KITCHEN STANDARD LAYOUT (D2)  
A-401

ISSUE	DESCRIPTION	DATE
01	BUILDER SET	5/4/2023

PROJECT  
PLAN: BH Portico D2 D2+ - 4.5"  
ELEV: Elevation A - Euro Country  
LOT: 63

LOT ADDRESS:

DRAWING TITLE  
**DETAILS**

SHEET NUMBER  
**A-401**