



**EPCON OH - FDG**  
Bel Haven LLC  
West Chester, OH,

Higharc, Inc. is not an architectural firm nor are the artistic representations contained herein intended to be construed as ready-to-use architectural plans, construction documents, drawings, renderings, or any other similar or related documents. All drawings are artist's representations only and solely intended to reflect design intent derived exclusively from the home building plans and associated information, data, and specifications provided by EPCON OH - FDG. Higharc, Inc. is not responsible, nor may it be held liable for any errors or omissions contained herein or resulting from its usage. Any usage of the representations should be reviewed by local professionals to ensure conformance with local and state codes and be field verified prior to the start of any construction.

ALL RIGHTS ARE RESERVED IN THIS INFORMATION AND ALL RELATED ILLUSTRATIONS, PLANS, BLUEPRINTS, SKETCHES, DRAWINGS OR OTHER TANGIBLE EXPRESSIONS THEREOF, WHICH ARE THE PROPERTY OF EPCON COMMUNITIES FRANCHISING, INC. 500 STONEHENGE PARKWAY, DUBLIN, OH, 43017, TELEPHONE 614.652.3527. NO ONE MAY BUILD, LICENSE, TRANSFER, REPRODUCE OR DUPLICATE THIS WORK IN ANY WAY WITHOUT THE WRITTEN AUTHORIZATION OF EPCON COMMUNITIES FRANCHISING, INC. THESE DRAWINGS SHALL BE USED IN CONFORMANCE WITH ALL LOCAL BUILDING, MECHANICAL, PLUMBING AND ELECTRICAL CODES AND SHALL MEET THE REQUIREMENTS OF THE HEALTH DEPARTMENT, FIRE MARSHALL, AMERICANS WITH DISABILITIES ACT, ACCESSIBILITY GUIDELINES (ADAAG), THE FAIR HOUSING ACT ACCESSIBILITY GUIDELINES (FHAAG), AND SHALL BE CONSTRUCTED IN CONFORMANCE WITH STATE AND LOCAL ENERGY REQUIREMENTS.



ISSUE	DESCRIPTION	DATE
01	BUILDER SET	3/28/2022

## 8166 S.BEL HAVEN LN - LOT 83

MASTER PLAN: Palazzo | ELEVATION: Elevation A - Euro Country | COMMUNITY: Bel Haven | LOT NUMBER: 83 | CUSTOMER: 8166 S. Bel Haven Lane, West Chester, OH 45069 - Lot 83

PLANS PREPARED BY HIGHARC

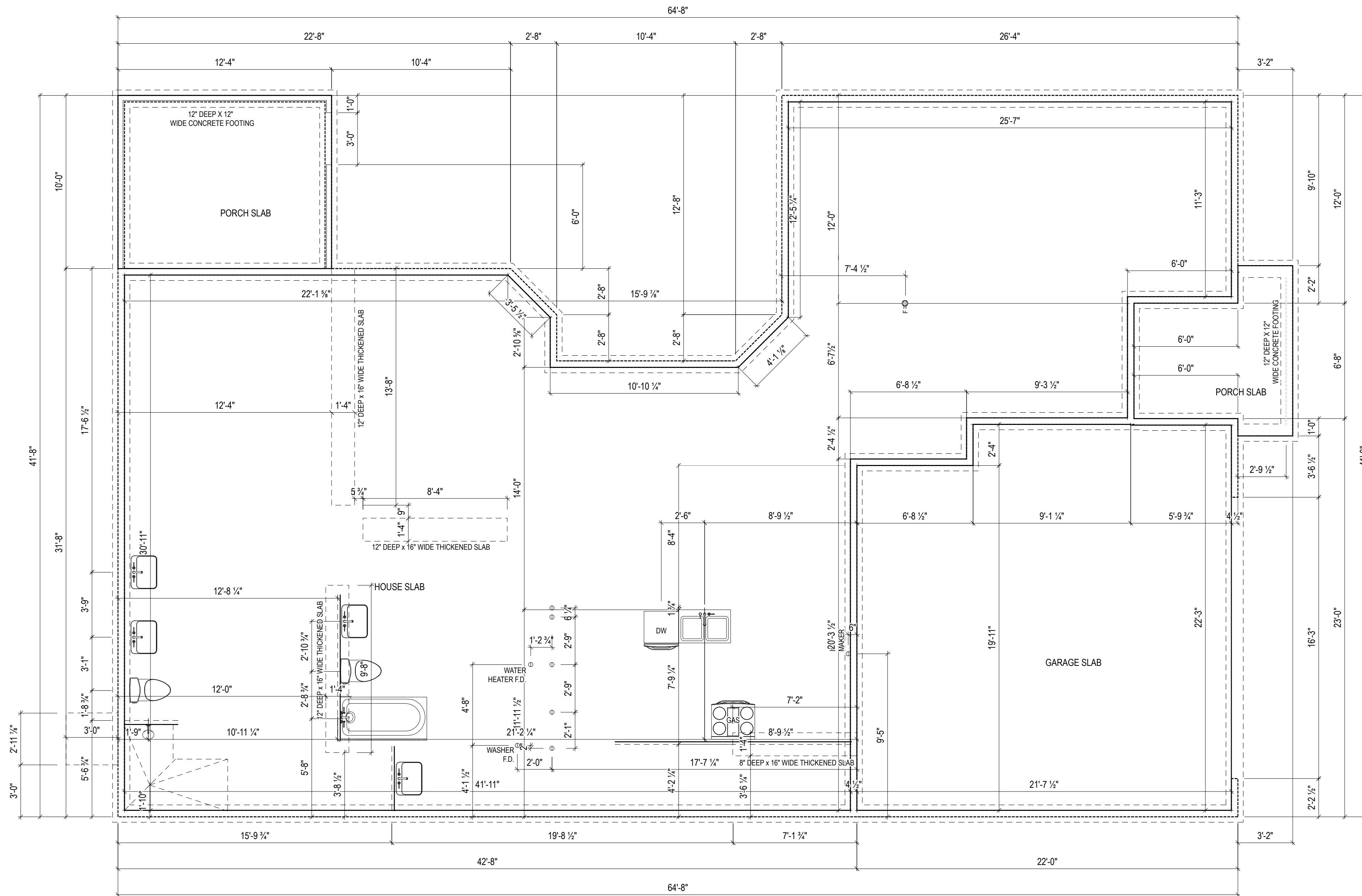
PROJECT SUMMARY	
BUILDING AREA	
CONDITIONED AREA	
FIRST FLOOR SF (OUTSIDE OF FRAME)	1717 SF
SECOND FLOOR SF (OUTSIDE OF FRAME)	472 SF
TOTAL CONDITIONED AREA :	2189 SF
TOTAL GARAGE AREA :	485 SF
FRONT PORCH AREA :	188 SF
COVERED PATIO AREA :	0 SF
UNCOVERED PATIO AREA :	329 SF

GENERAL NOTES
ONLY LOCATION SPECIFIC OPTIONS ARE SHOWN ON THESE DRAWINGS. PLEASE REFER TO OPTION SUMMARY AND/OR PURCHASE ORDERS FOR A COMPLETE LISTING OF OPTIONS.
DESIGN CRITERIA:
NUMBER OF STORIES: 2
BUILDING WIDTH: 41'-8"
BUILDING DEPTH: 67'-10"
BUILDING HEIGHT: 21'-5 5/8"
GOVERNMENTAL CODES AND STANDARDS
HOME TO BE BUILT TO CONFORM TO ALL APPLICABLE LOCAL CODES, PRACTICES AND STANDARDS.
BUILDING CODE ANALYSIS / DESIGN CRITERIA
HOME TO BE BUILT TO 2019 RESIDENTIAL CODE OF OHIO STANDARDS

GRAPHIC SYMBOLS & LEGEND	
	FIRST FLOOR EL. 0'-0"
	ROOF SLOPE 4:12
	SD
	SD / CO

SHEET INDEX	
COVER	A-000
SCHEDULES	A-010
GENERAL NOTES	A-020
FOUNDATION PLAN	A-050
FIRST FLOOR PLAN	A-101
SECOND FLOOR PLAN	A-102
ROOF PLAN	A-120
FRONT / BACK ELEVATION	A-200
LEFT / RIGHT ELEVATION	A-201
BELHAVEN DETAILS	A-401
BELHAVEN DETAILS	A-402
BELHAVEN DETAILS	A-403
BELHAVEN DETAILS	A-404
BELHAVEN DETAILS	A-405
NSO DETAILS	A-500
PERSPECTIVE VIEWS	A-900
FIRST FLOOR ELECTRICAL PLAN	E-101
SECOND FLOOR ELECTRICAL PLAN	E-102
SHEAR WALL PLAN	S-100
SHEAR WALL DETAILS	S-101

PROJECT
PLAN: Master Palazzo D1 - 4"
ELEV: Elevation A - Euro Country
LOT: 83
DRAWING TITLE
<b>COVER</b>
SHEET NUMBER
<b>A-000</b>
© 2022 HIGHARC, INC



ISSUE	DESCRIPTION	DATE
01	BUILDER SET	3/28/2022

PROJECT  
 PLAN: Master Palazzo D1 - 4"  
 ELEV: Elevation A - Euro Country  
 LOT: 83

DRAWING TITLE  
**FOUNDATION PLAN**

SHEET NUMBER  
**A-050**

2 Story Slab

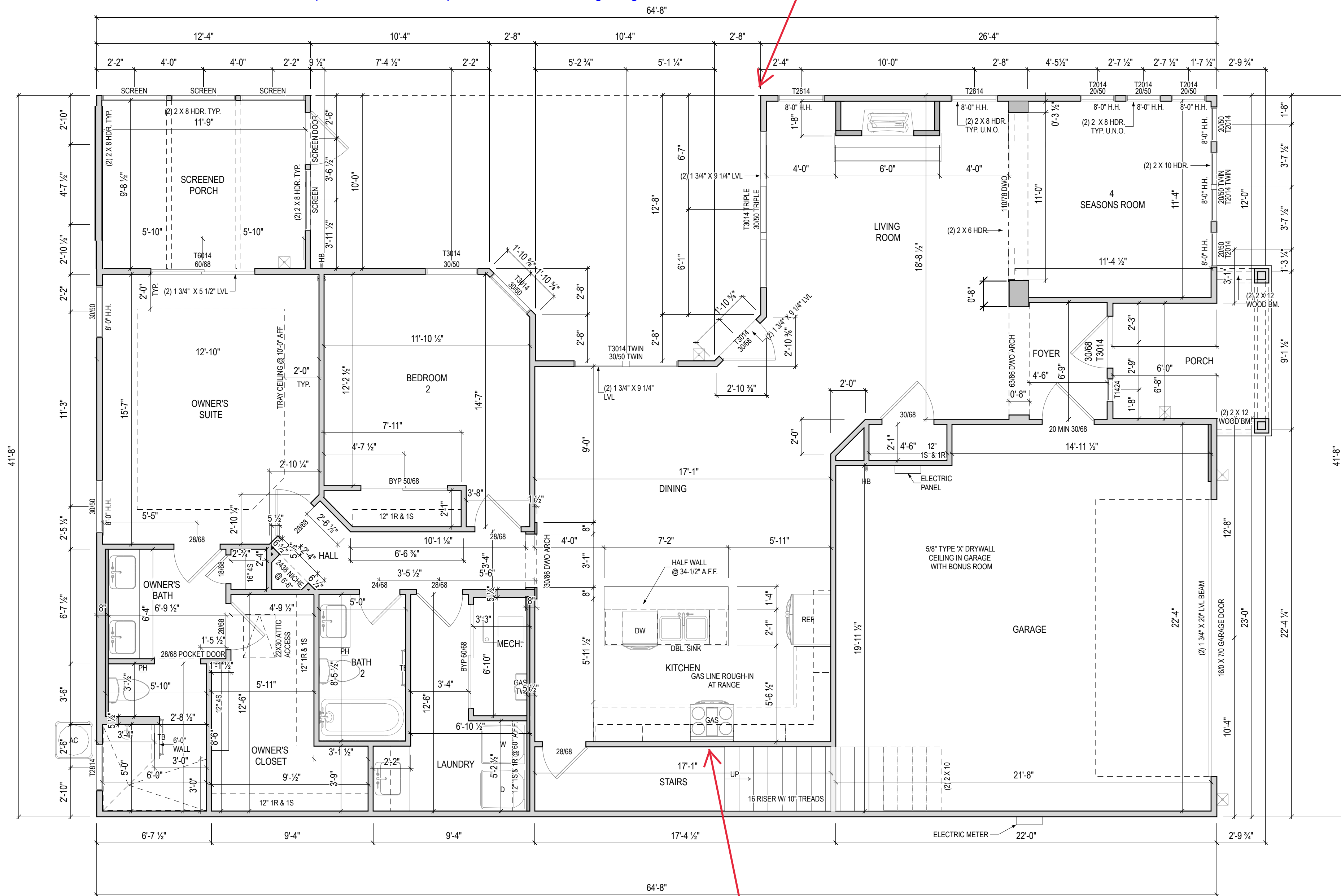
Ice maker  
Irrigation Line

Humidifier Valve

Gas Furnace Cooktop , Heater , Fireplace and Future gas grill

GAS LINE ROUGHED TO  
EXTERIOR WALL

GAS COOKTOP



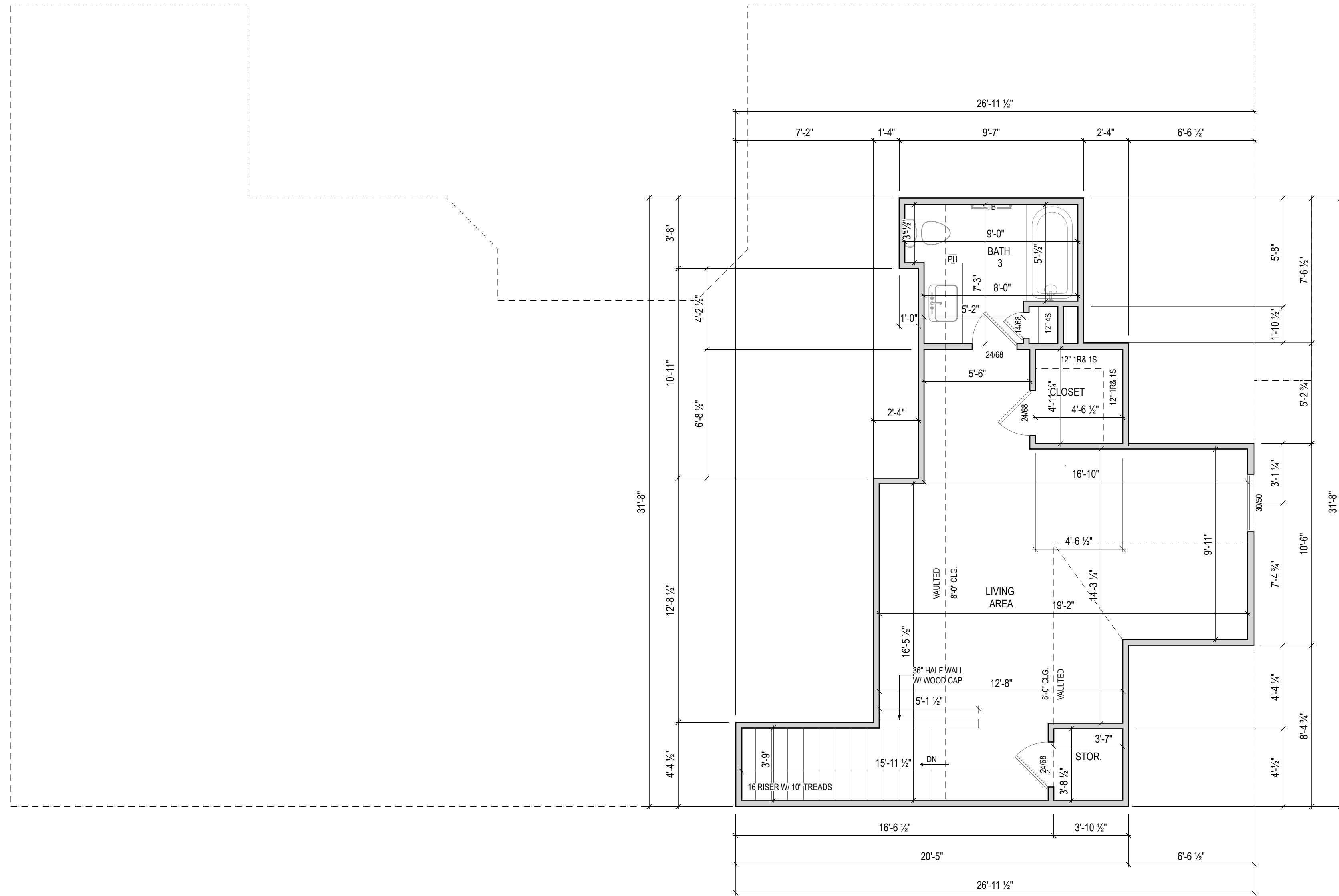
**EPCON OH - FDG**  
Bel Haven LLC  
West Chester, OH,

ISSUE	DESCRIPTION	DATE
01	BUILDER SET	3/28/2022

PROJECT  
PLAN: Master Palazzo D1 - 4"  
ELEV: Elevation A - Euro Country  
LOT: 83

DRAWING TITLE  
**FIRST FLOOR  
PLAN**

SHEET NUMBER  
**A-101**



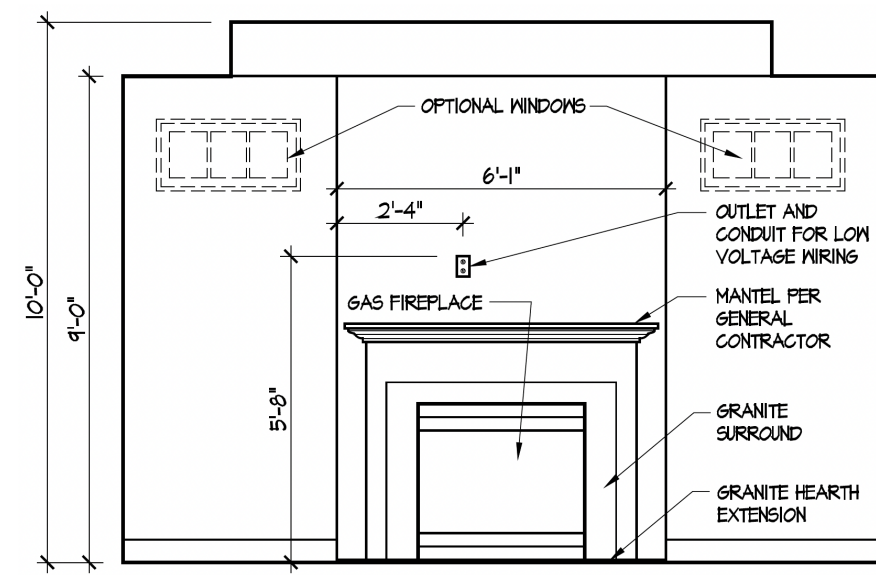
ISSUE	DESCRIPTION	DATE
01	BUILDER SET	3/28/2022

PROJECT  
 PLAN: Master Palazzo D1 - 4"  
 ELEV: Elevation A - Euro Country  
 LOT: 83

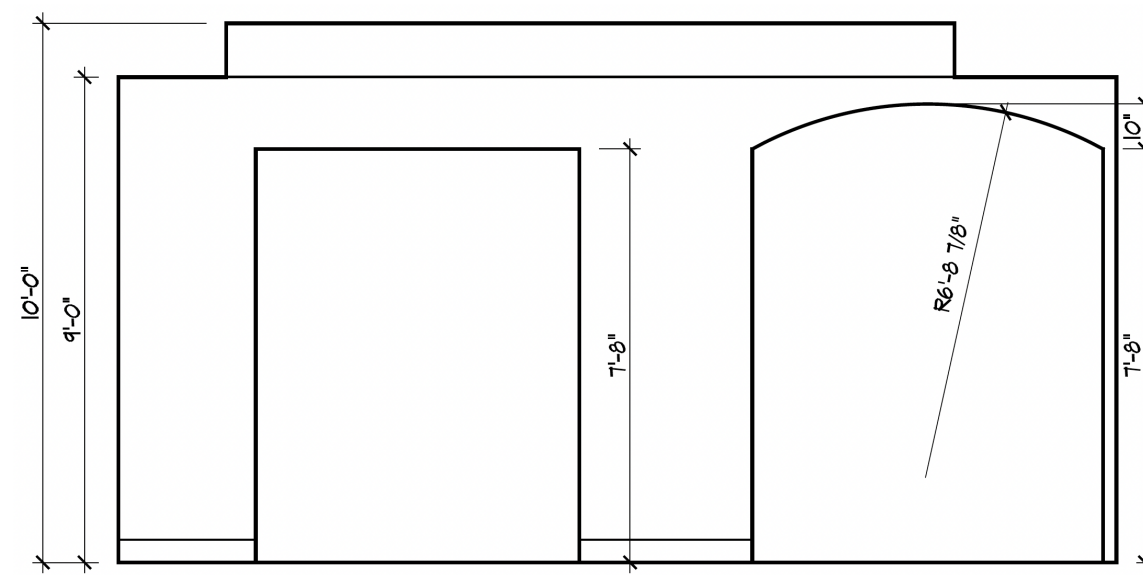
DRAWING TITLE  
**SECOND FLOOR  
 PLAN**

SHEET NUMBER  
**A-102**

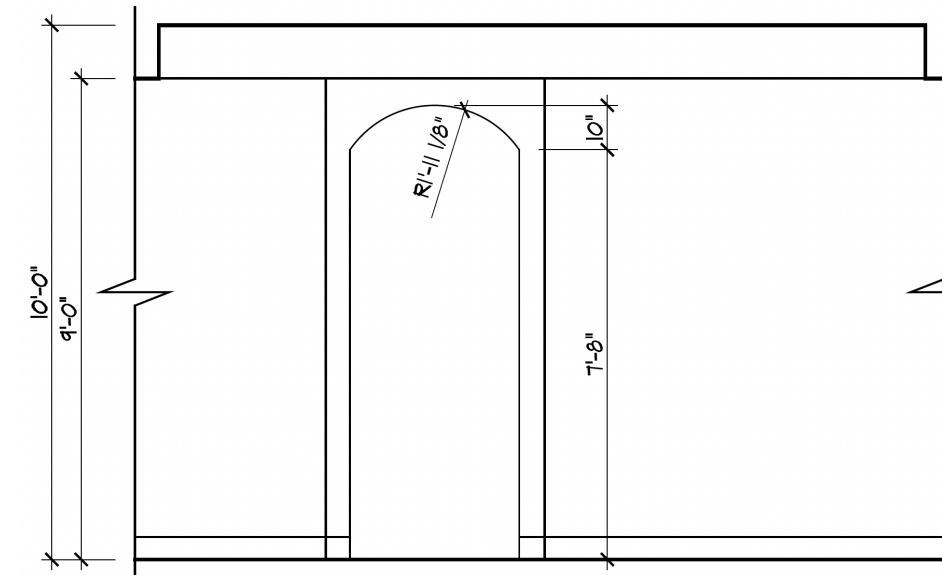




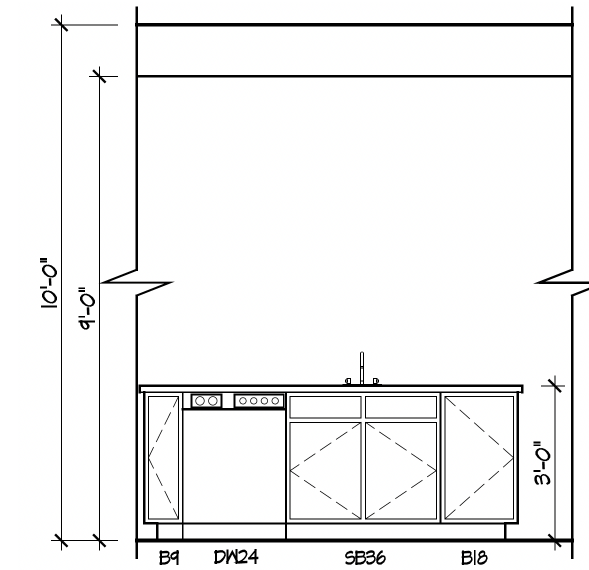
5 FIREPLACE  
A-405



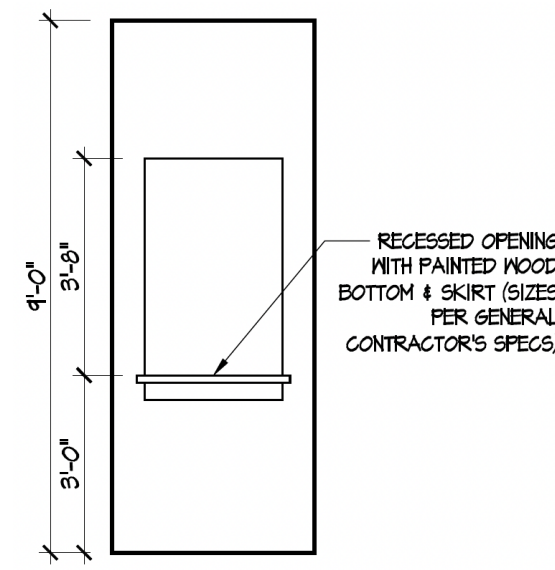
6 LIVING ROOM ELEVATION  
A-405



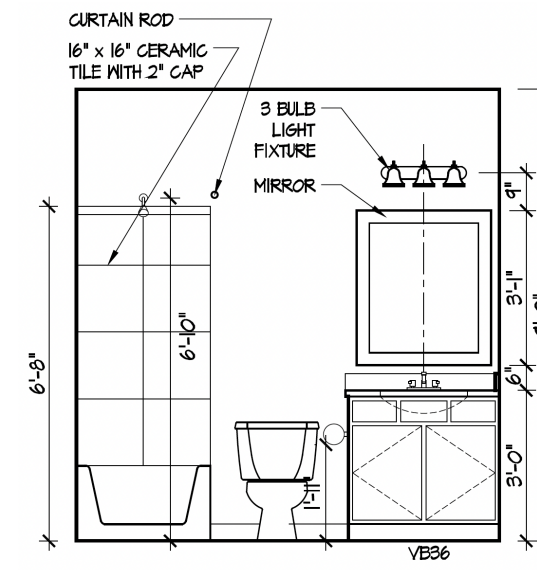
7 DINING ROOM ELEVATION  
A-405



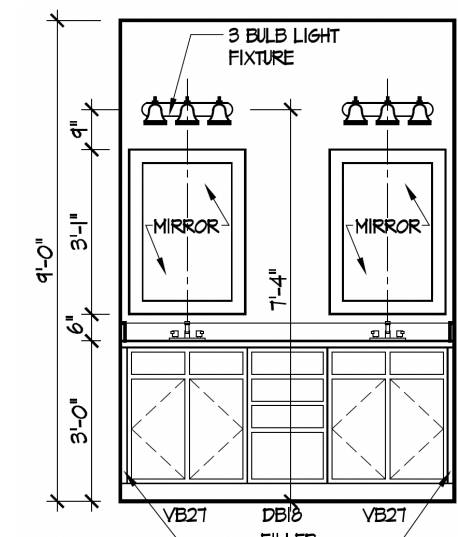
8 KITCHEN ISLAND  
A-405



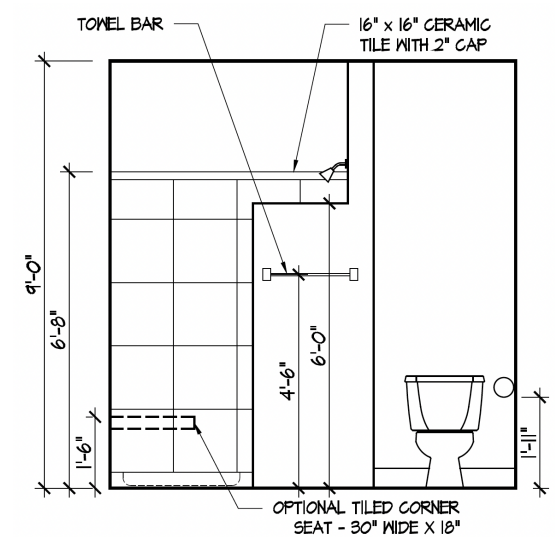
9 MASTER FOYER ELEVATION  
A-405



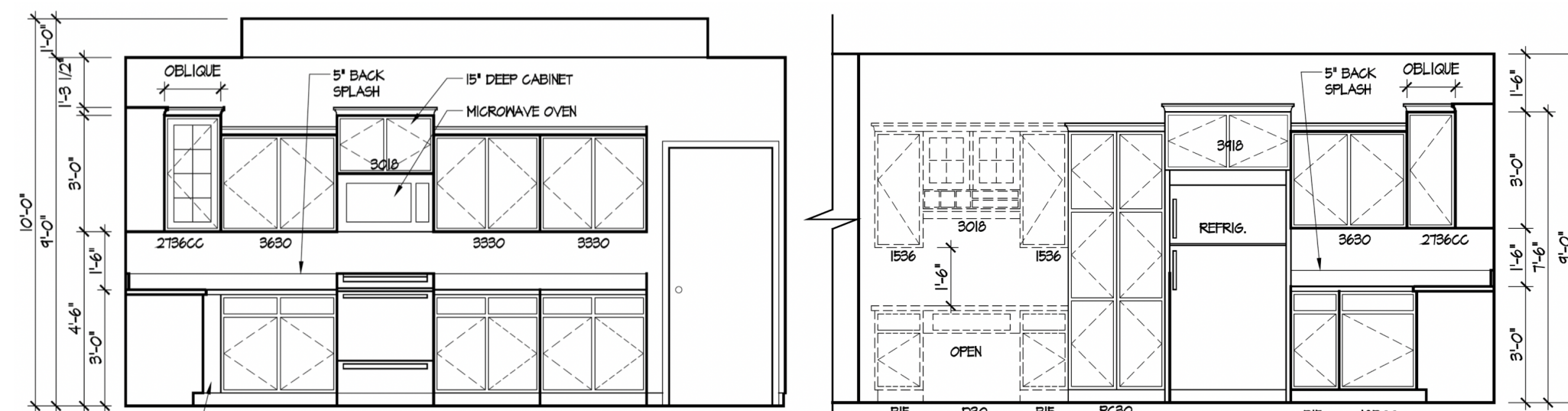
10 HALL BATH  
A-405



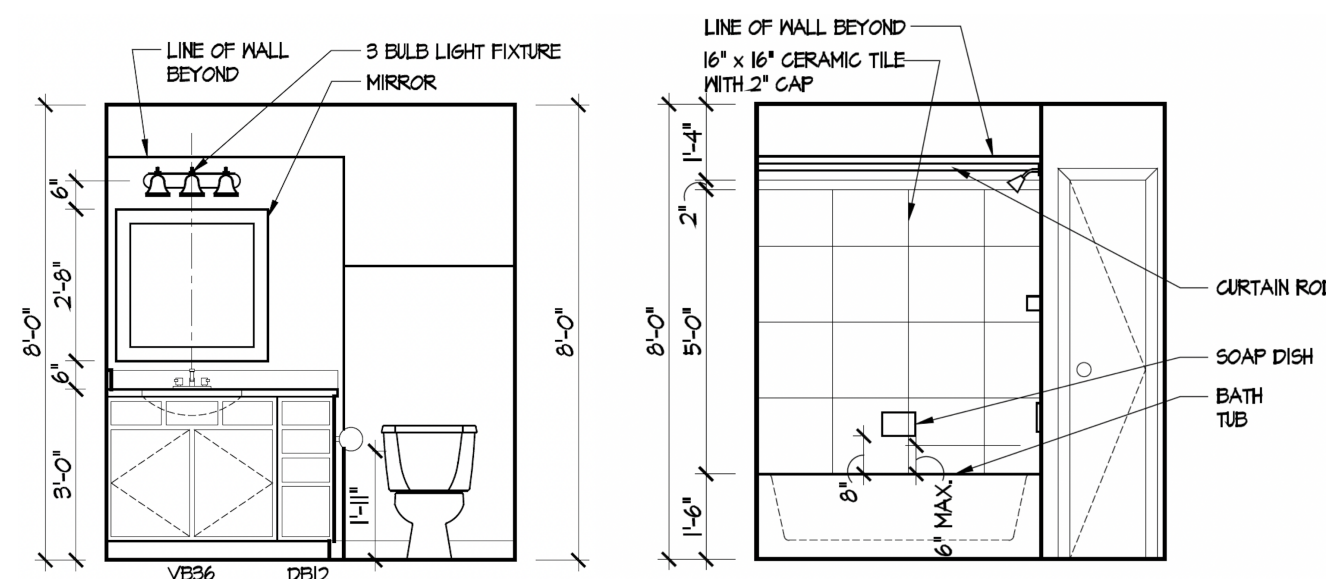
11 MASTER VANITY  
A-405



12 MASTER SHOWER L  
A-405



13 STANDARD KITCHEN (w/ Bonus)  
A-405



14 BATH 3 AT BONUS ROOM  
A-405

**EPCON OH - FDG**  
Bel Haven LLC  
West Chester, OH,

ISSUE	DESCRIPTION	DATE
01	BUILDER SET	3/28/2022

PROJECT  
PLAN: Master Palazzo D1 - 4"  
ELEV: Elevation A - Euro Country  
LOT: 83

DRAWING TITLE  
**BELHAVEN DETAILS**

SHEET NUMBER  
**A-405**