

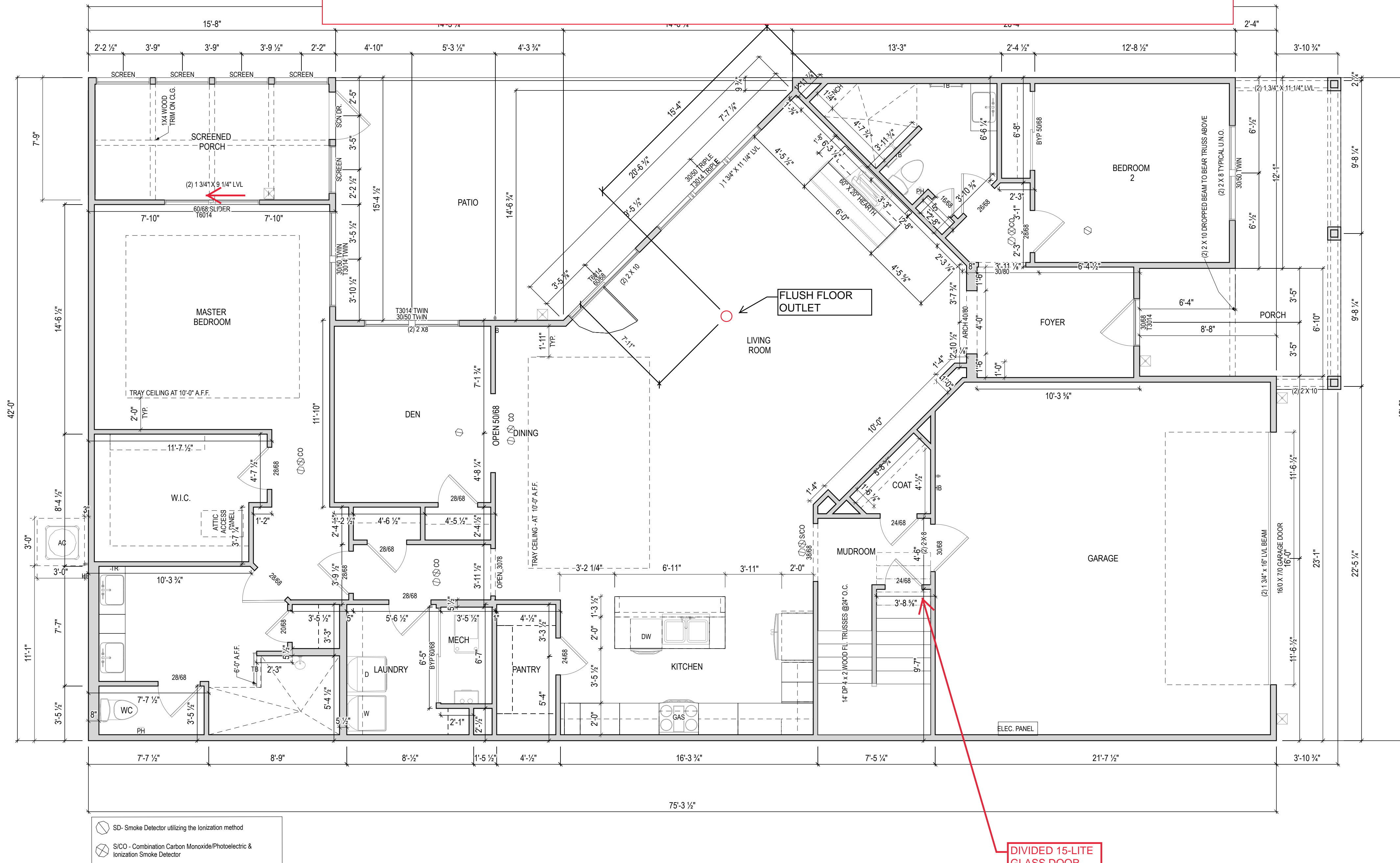
ISSUE	DESCRIPTION	DATE
01	BUILDER SET	3/17/2022

PROJECT
 PLAN: BH Promenade Plus D4
 ELEV: Elevation A
 LOT: 87

DRAWING TITLE
FOUNDATION PLAN

SHEET NUMBER
A-050

2 Story Slab
 ice maker
 humidifier
 irrigation system
 all showers - no tubs
 Gas Furnace , Heater and Fireplace



SD - Smoke Detector utilizing the ionization method
 SICO - Combination Carbon Monoxide/Photoelectric & Ionization Smoke Detector

DIVIDED 15-LITE
 GLASS DOOR
 (LEAVE BOTTOM
 MIDDLE GLASS
 PANEL OUT)

EPCON OH - FDG
 Bel Haven LLC
 West Chester, OH,

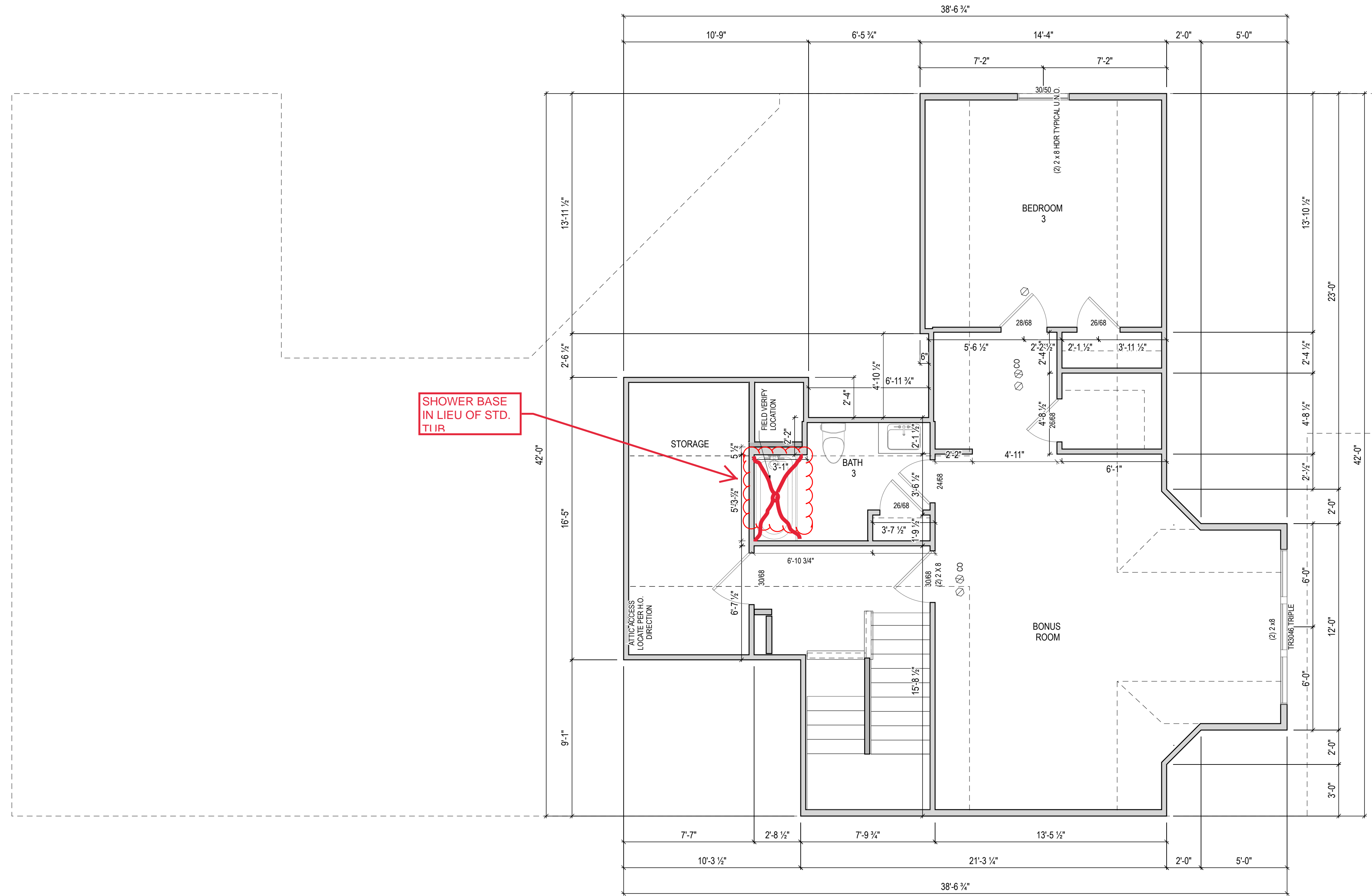
ISSUE	DESCRIPTION	DATE
01	BUILDER SET	3/17/2022

PROJECT
 PLAN: BH Promenade Plus D4
 ELEV: Elevation A
 LOT: 87

DRAWING TITLE
**FIRST FLOOR
 PLAN**

SHEET NUMBER
A-101

1 FLOOR PLAN
 A-101
 1/4" = 1'-0" @ 22" x 34"

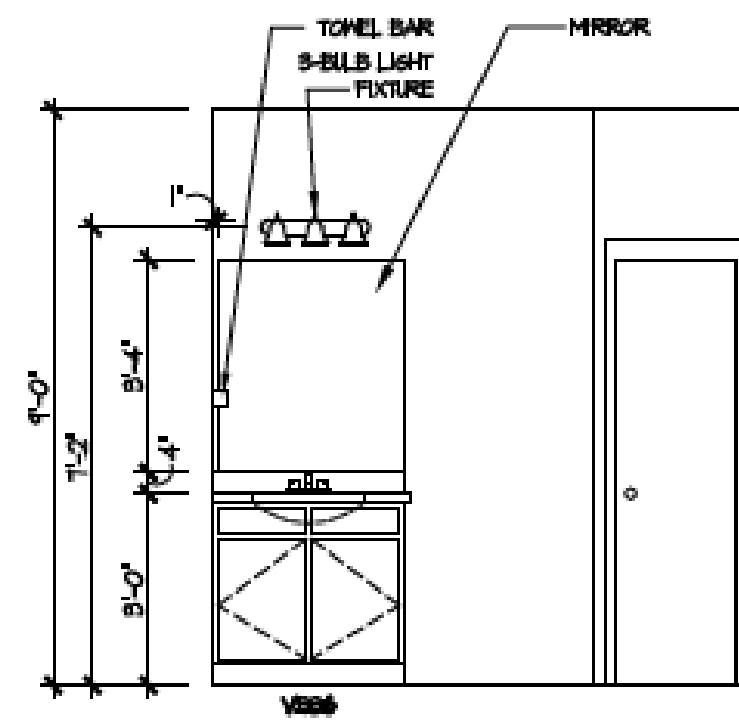


ISSUE	DESCRIPTION	DATE
01	BUILDER SET	3/17/2022

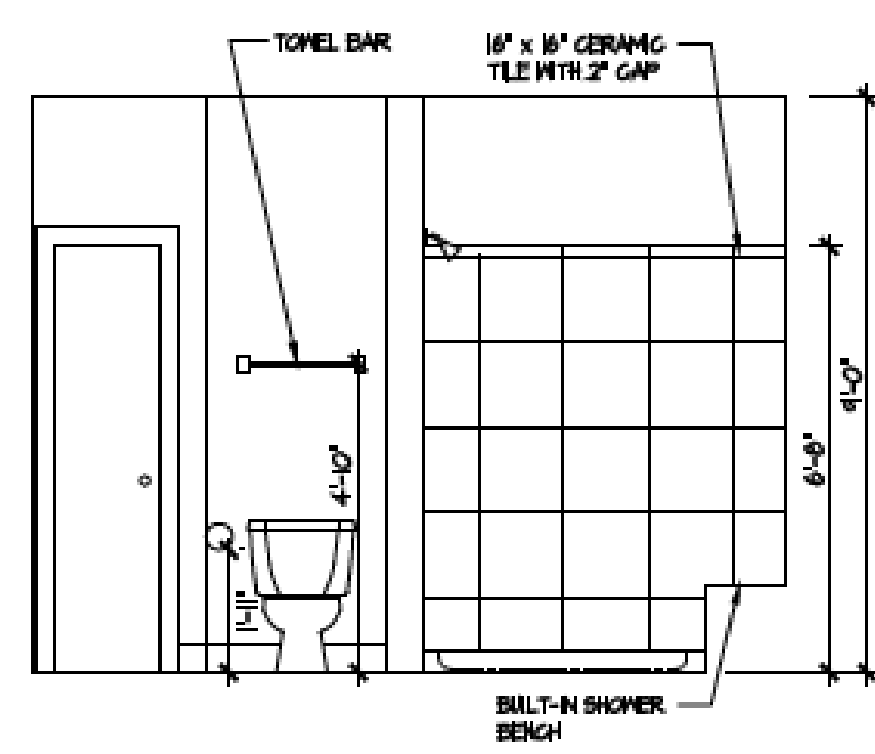
PROJECT
 PLAN: BH Promenade Plus D4
 ELEV: Elevation A
 LOT: 87

DRAWING TITLE
SECOND FLOOR PLAN

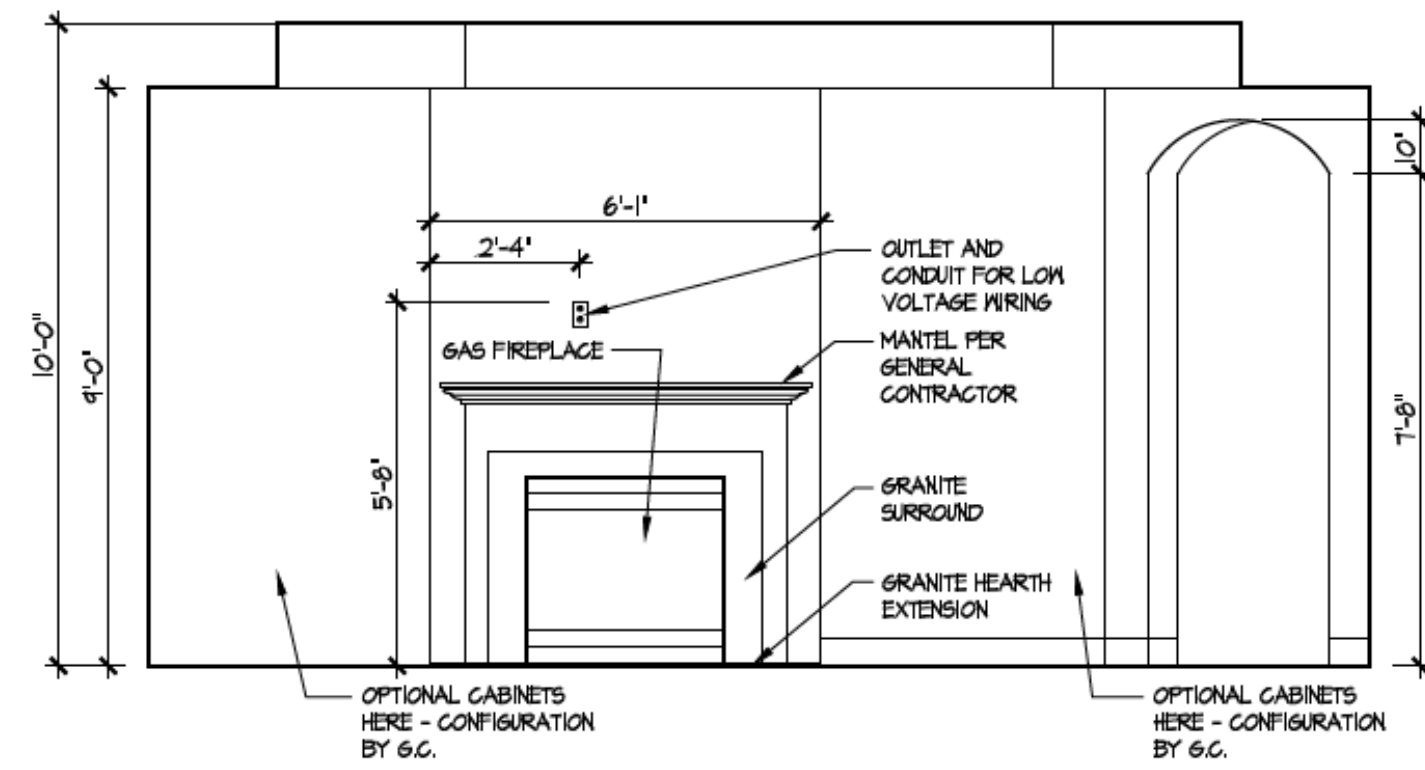
SHEET NUMBER
A-102



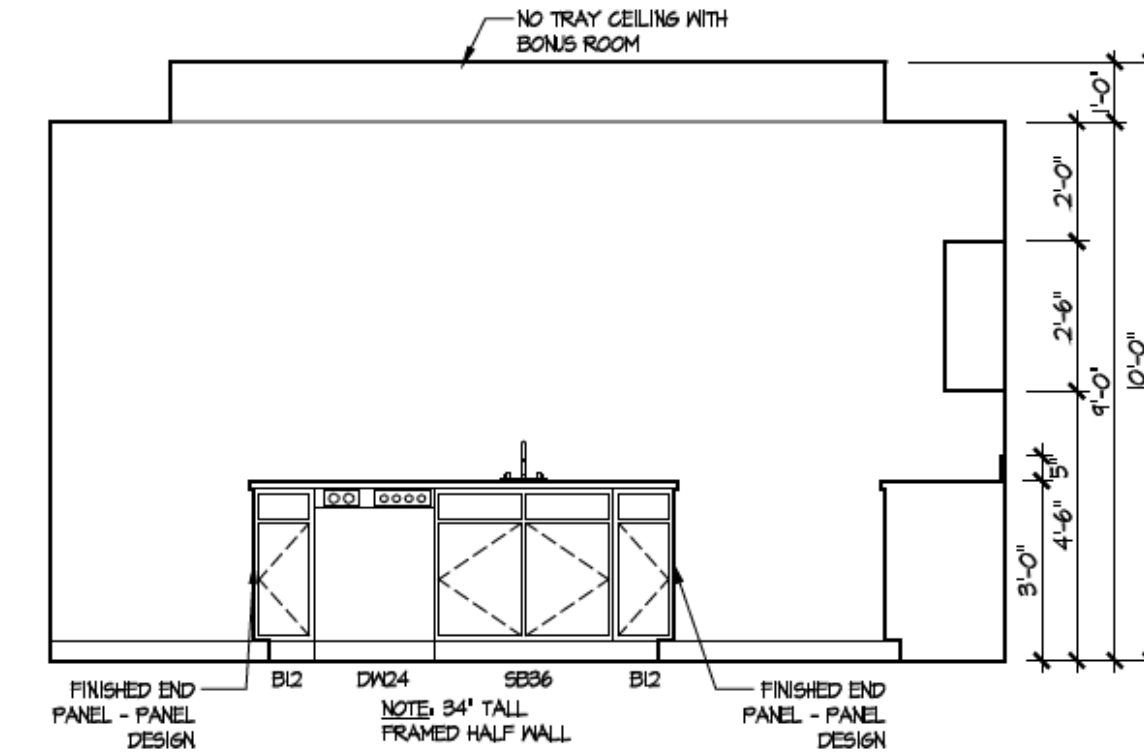
2 Bath 2 - Walk-In Shower
A-402



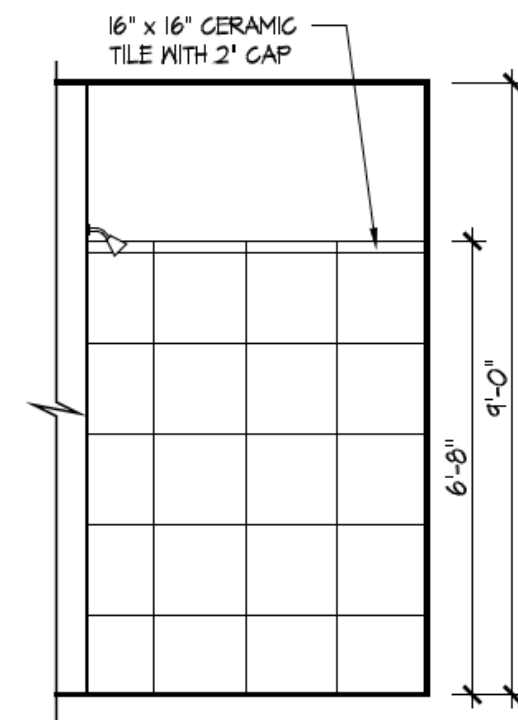
5 Master Bath Shower - Walk-in
A-402



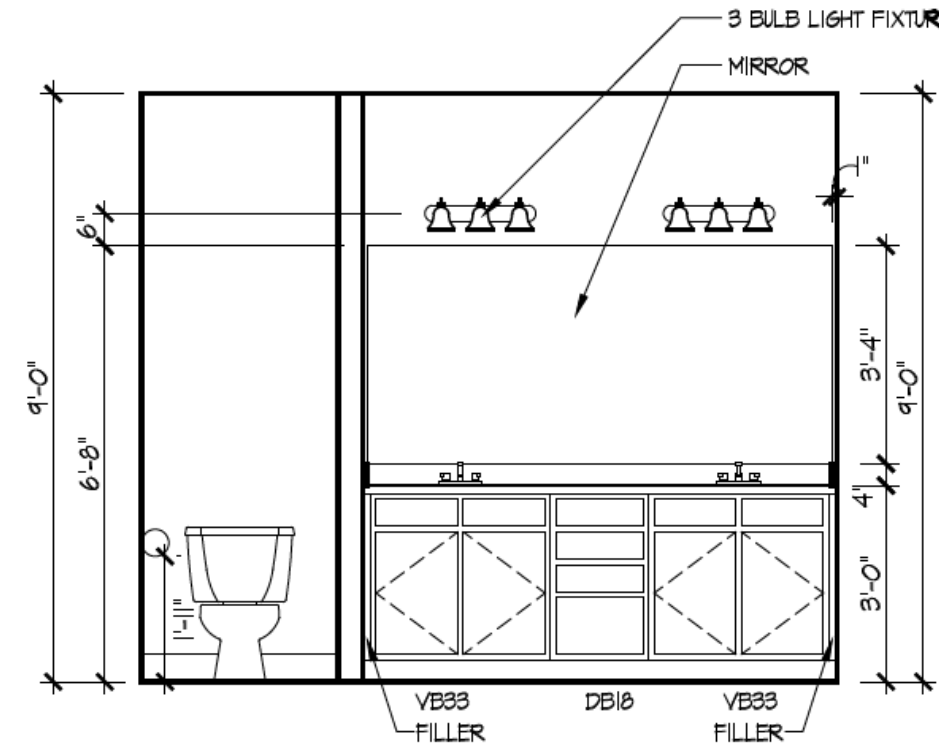
3 Fireplace
A-402



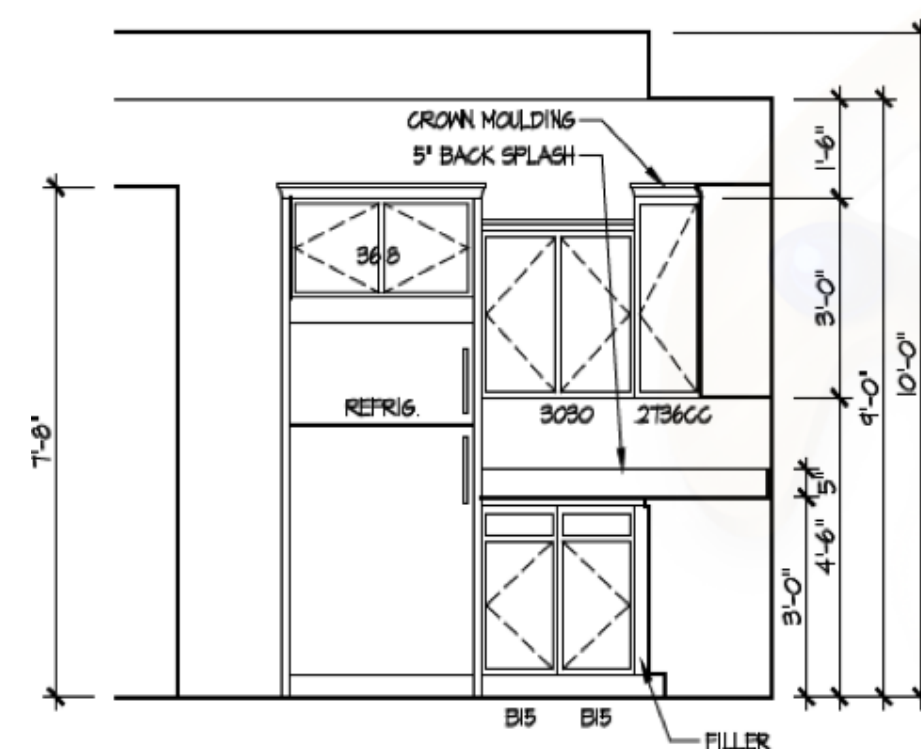
4 Kitchen - Island
A-402



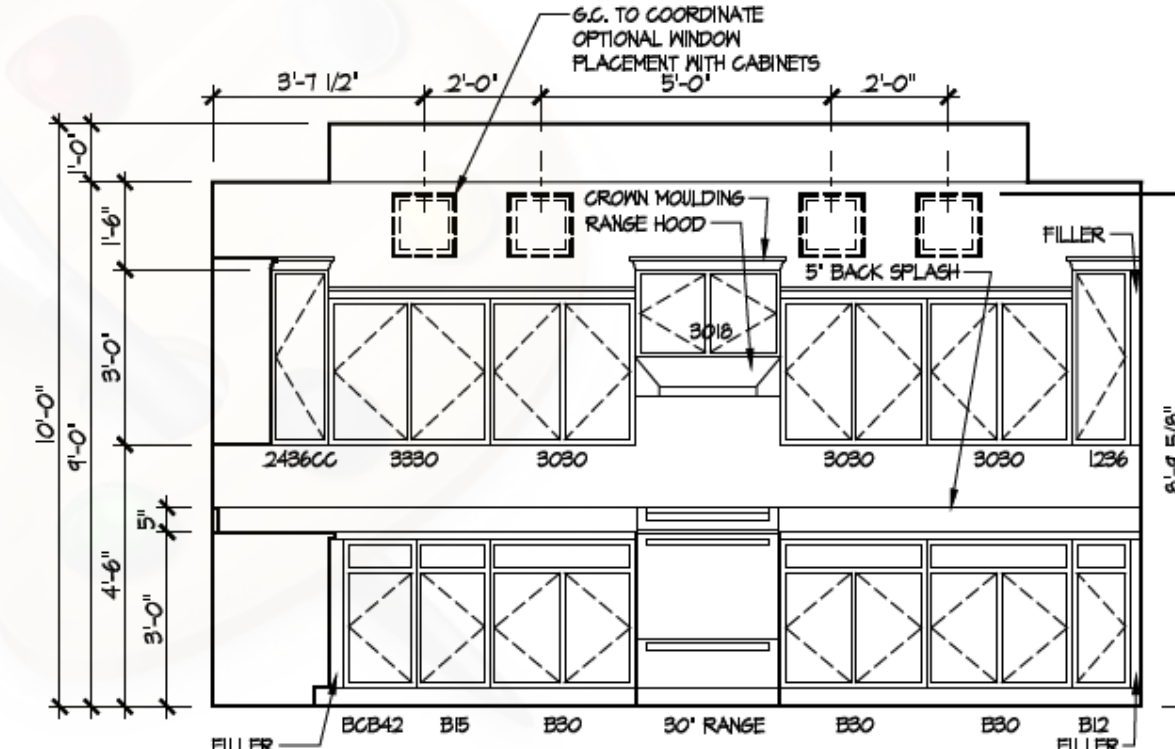
5 Master Bath Shower - Walk-in
A-402



6 Master Bath Vanity
A-402



7 Kitchen Staggered Layout
A-402



EPCON OH - FDG
Bel Haven LLC
West Chester, OH,

ISSUE	DESCRIPTION	DATE
01	BUILDER SET	3/17/2022

PROJECT
PLAN: BH Promenade Plus D4
ELEV: Elevation A
LOT: 87

DRAWING TITLE
DETAILS

SHEET NUMBER
A-402