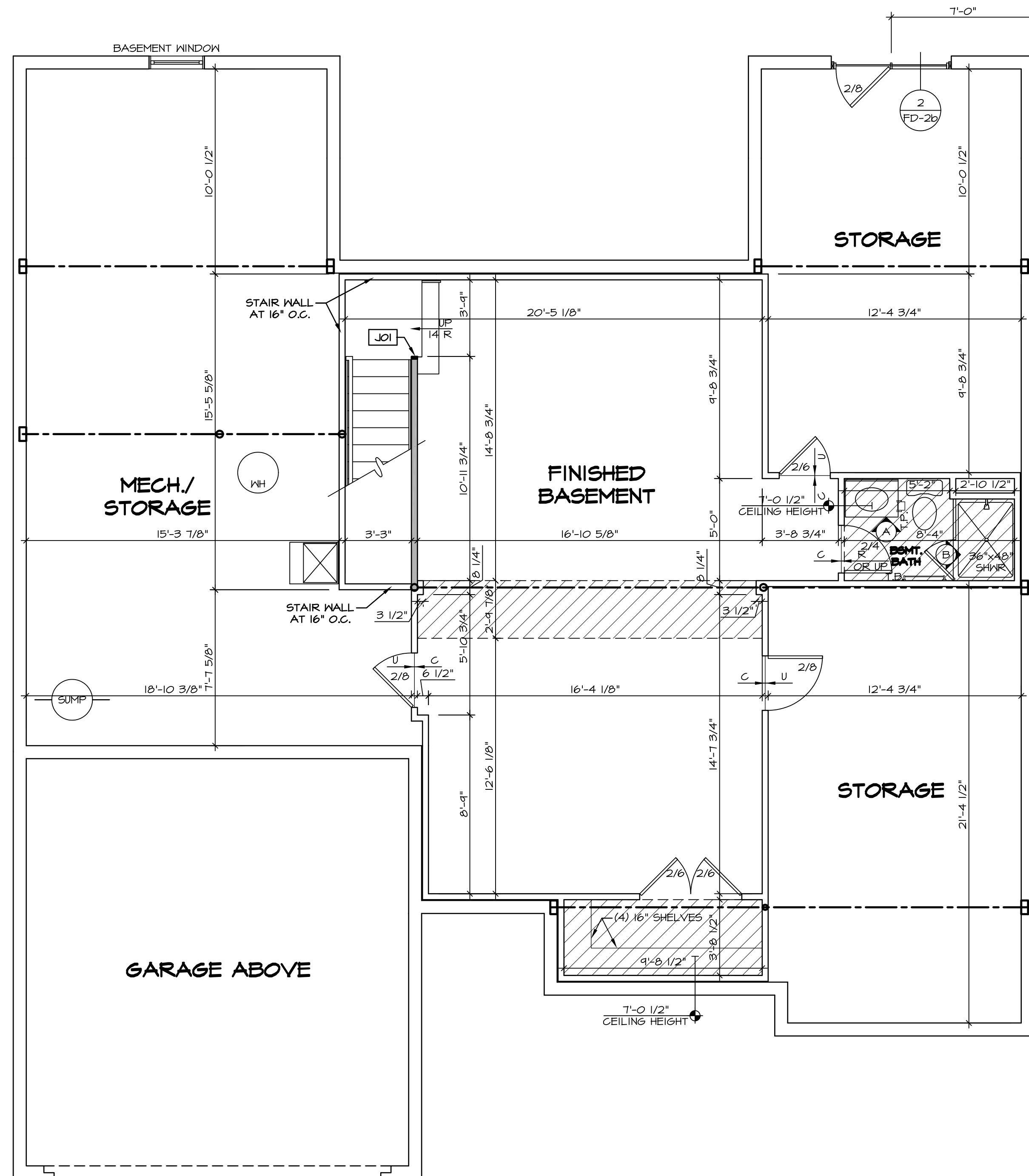




BASEMENT JACK SCHEDULE				
IDENTIFIER	DESCRIPTION	OPTIONS	ENG. NUM.	REMARKS
J01	JACK - 2x4 SPF STUD GRADE		B016	

LEGEND	
	BEARING WALL
	NON BEARING WALL
	INDICATES BEARING FROM POINT-LOAD ABOVE
	JACKS
	BEAM/HEADER
	PAD FOOTING
	STEEL COLUMN
	PORTAL FRAME
	JOIST/TRUSS
	LVL
	ENGINEERING PAGE NUMBER
SEE FC DETAILS FOR FRAMING CONNECTORS	



- FLOOR PLAN NOTES**
- ALL HEADERS ARE (2) 2x6 w/ 2x4 WALLS OR (3) 2x6 w/ 2x6 WALLS, UNLESS OTHERWISE NOTED.
  - ALL HEADERS TO HAVE (1) 2x4 OR 2x6 JACK AND KING STUD EACH END, UNLESS OTHERWISE NOTED.
  - ALL EXTERIOR WALLS TO BE 4" w/ OSB OR 3 1/2" w/ T-PLY, ALL INTERIOR WALLS TO BE 3 1/2", UNLESS OTHERWISE NOTED.
  - HATCHED AREAS INDICATE DROPPED CEILINGS. ALL DROPPED CEILINGS ARE 12" UNLESS OTHERWISE NOTED.
  - SEE "BRACED WALL PANEL DETAIL SHEET" FOR SPECIAL WALL FRAMING LOCATIONS AND HEADER SIZES, IF APPLICABLE.
  - SEE STANDARD DETAIL CATEGORY "IT" SHEET(S) FOR INTERIOR TRIM DETAILS.
  - SEE ARCHITECTURAL DETAIL SHEET "AD" FOR HOUSE SPECIFIC INTERIOR TRIM OPTION TABLE.
  - ALL WINDOWS HAVE T-0 1/2" HEADER HEIGHT UNLESS OTHERWISE NOTED.
  - ALL HEADERS IN NON-BEARING WALLS SHALL BE A SINGLE FLAT 2x4 OR 2x6 ATTACHED TO CRIPPLES ABOVE, UNLESS OTHERWISE NOTED.
  - TANKED WATER HEATER SHOWN AS BASE CONDITION, OPTIONAL TANKLESS WATER HEATER IS AVAILABLE IN LIEU OF TANKED WATER HEATER.
- GYPHUM NOTES**
- AT GARAGE:  
GYPSUM BOARD AT COMMON WALLS, CEILINGS, BEAM WRAPS AND SUPPORTS PER STANDARD DETAIL FA-1(b) FIRE ASSEMBLIES OR AS REQUIRED BY LOCAL CODE.
- AT STAIRS:  
1/2" GYPSUM BOARD AT UNDERSIDE OF STAIRS AND WALLS IN CLOSET

REV. NO.	DATE	DESCRIPTION
1	08/04/16	N-DRAWING ALIGNMENT

**NVR**  
NVR, Inc.  
Architectural Services  
5285 West... Suite 100  
Frederick, MD 21703

SET NO. CNPOO	VERSION 02	DRAWN BY	DATE:	OPTION
CAROLINA PLACE		BASEMENT FLOOR PLAN		
A-6		FULL BASEMENT FOUNDATION		
40				

**BASEMENT FLOOR PLAN**  
SCALE: 1/4" = 1'-0"

**LEGEND**

	BEARING WALL
	NON BEARING WALL
	INDICATES BEARING FROM POINT-LOAD ABOVE
	JACKS
	BEAM/HEADER
	PAD FOOTING
	STEEL COLUMN
	PORTAL FRAME
	JOIST/TRUSS
	LVL
	ENGINEERING PAGE NUMBER

SEE FC DETAILS FOR FRAMING CONNECTORS

**LVL PLY TO PLY FASTENING SCHEDULE:**

1.A - (2) PLY UP TO AND INCLUDING 11 7/8" TALL; FASTEN PLYS W/ (2) ROWS 16D NAILS AT 12" O.C.  
 2.A - (2) PLY 14" TO AND 18" TALL (INCLUSIVE); FASTEN PLYS W/ (3) ROWS 16D NAILS AT 12" O.C.  
 3.A - (2) PLY 20" TALL AND OVER; FASTEN PLYS W/ (4) ROWS 16D NAILS AT 12" O.C.  
 4.A - (3) PLY UP TO AND INCLUDING 11 7/8" TALL; FASTEN PLYS W/ (2) ROWS 16D NAILS AT 12" O.C. FROM EACH SIDE  
 5.A - (3) PLY 14" TO AND 18" TALL (INCLUSIVE); FASTEN PLYS W/ (3) ROWS 16D NAILS AT 12" O.C. FROM EACH SIDE  
 6.A - (3) PLY 20" TALL AND OVER; FASTEN PLYS W/ (4) ROWS 16D NAILS AT 12" O.C. FROM EACH SIDE

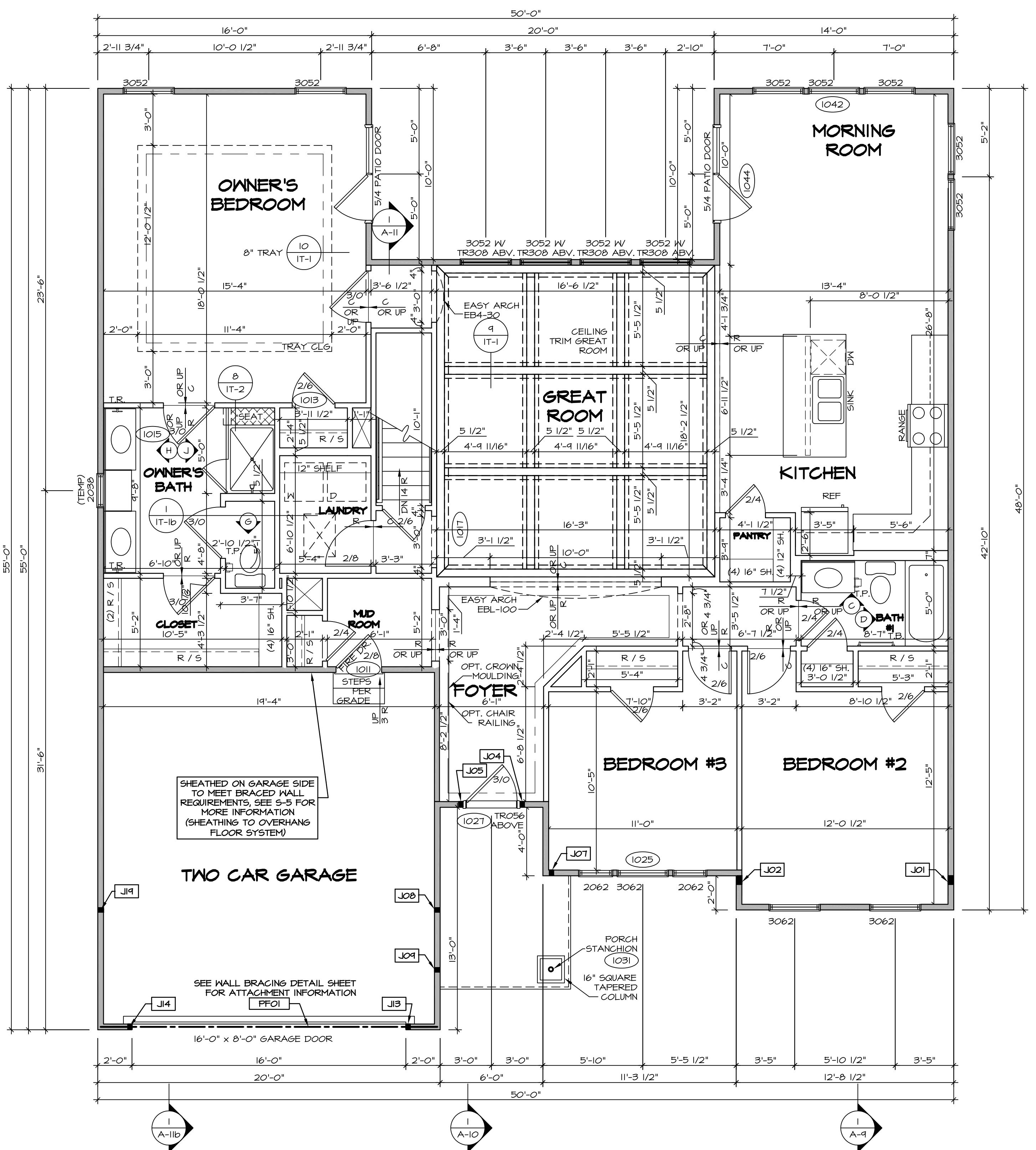
**FIRST FLOOR BEAM/HEADER SCHEDULE**

IDENTIFIER	DESCRIPTION	LENGTH	OPTIONS	ENG. NUM.	REMARKS
PFO1	BEAM BUILT 2X12 - 2 PLY	19'-8"	6CB	1033	2-PLY PORTAL FRAME

**FIRST FLOOR JACK SCHEDULE**

IDENTIFIER	DESCRIPTION	OPTIONS	ENG. NUM.	REMARKS
J01	JACK - (4) 2X4 SPHI		1044	
J02	JACK - (4) 2X4 SPHI		1044	
J04	JACK - (2) 2X4 SPF STUD GRADE		1027	
J05	JACK - (2) 2X4 SPF STUD GRADE		1027	
J07	JACK - (2) 2X4 SPF STUD GRADE	ELK	1031	
J08	JACK - (2) 2X4 SPF STUD GRADE	ELK	1044	
J09	JACK - (2) 2X4 SPF STUD GRADE	ELK	1031	
J13	JACK - (2) 2X4 SPF STUD GRADE	6CB	1033	
J14	JACK - (2) 2X4 SPF STUD GRADE	6CB	1033	
J19	JACK - (2) 2X4 SPF STUD GRADE	6CB, ELB, ELK	1044	

- FLOOR PLAN NOTES**
- ALL HEADERS ARE (2) 2x6 W/ 2x4 WALLS OR (3) 2x6 W/ 2x6 WALLS, UNLESS OTHERWISE NOTED.
  - ALL HEADERS TO HAVE (1) 2x4 OR 2x6 JACK AND KING STUD EACH END, UNLESS OTHERWISE NOTED.
  - ALL EXTERIOR WALLS TO BE 4" W/ OSB OR 3 1/2" W/ T-PLY, ALL INTERIOR WALLS TO BE 3 1/2", UNLESS OTHERWISE NOTED.
  - HATCHED AREAS INDICATE DROPPED CEILING. ALL DROPPED CEILING ARE 12" UNLESS OTHERWISE NOTED.
  - SEE "BRACED WALL PANEL DETAIL SHEET" FOR SPECIAL WALL FRAMING LOCATIONS AND HEADER SIZES, IF APPLICABLE.
  - SEE STANDARD DETAIL CATEGORY "IT" SHEET(S) FOR INTERIOR TRIM DETAILS.
  - SEE ARCHITECTURAL DETAIL SHEET "AD" FOR HOUSE SPECIFIC INTERIOR TRIM OPTION TABLE.
  - ALL WINDOWS HAVE T-O 1/2" HEADER HEIGHT UNLESS OTHERWISE NOTED.
  - ALL HEADERS IN NON-BEARING WALLS SHALL BE A SINGLE FLAT 2X4 OR 2X6 ATTACHED TO CRIPPLES ABOVE, UNLESS OTHERWISE NOTED.
  - TANKED WATER HEATER SHOWN AS BASE CONDITION, OPTIONAL TANKLESS WATER HEATER IS AVAILABLE IN LIEU OF TANKED WATER HEATER.
- GYPSON NOTES**
- AT GARAGE:  
 GYPSON BOARD AT COMMON WALLS, CEILING, BEAM WRAPS AND SUPPORTS PER STANDARD DETAIL FA-1(b) FIRE ASSEMBLIES OR AS REQUIRED BY LOCAL CODE.
- AT STAIRS:  
 1/2" GYPSON BOARD AT UNDERSIDE OF STAIRS AND WALLS IN CLOSET



**FIRST FLOOR PLAN**  
 SCALE: 1/4" = 1'-0"

REVISIONS

REV. NO.	DATE	DESCRIPTION
1	08/04/16	N/DRAWING ALIGNMENT
2	7/10/17	DRH - T-PLY CONVERSION

REMARKS

NVR, Inc., owner, expressly reserves its common law copyright and other property rights in these plans. These plans are not to be used, copied, reproduced, or otherwise disseminated, in whole or in part, without the express written consent of NVR, Inc.

**NVR**

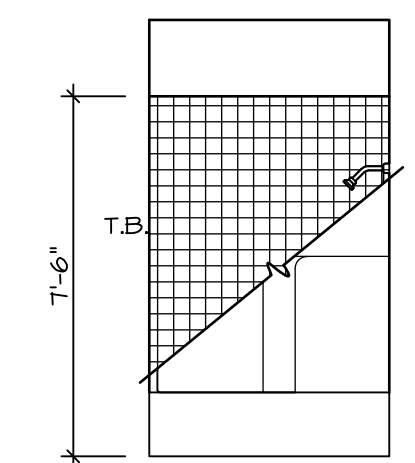
NVR, Inc.  
 Architectural Services  
 Architects  
 Suite 100  
 5285 Westpark Drive  
 Frederick, MD 21703

SET NO. CNP00	VERSION 02
MODEL CAROLINA PLACE	DRAWN BY
DRAWING TITLE FIRST FLOOR PLAN	DATE:
OPTION DESCRIPTION	OPTION
SHEET NO. A-7	42

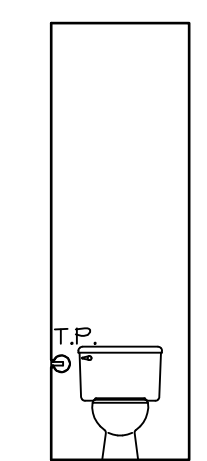


**NOTES:**

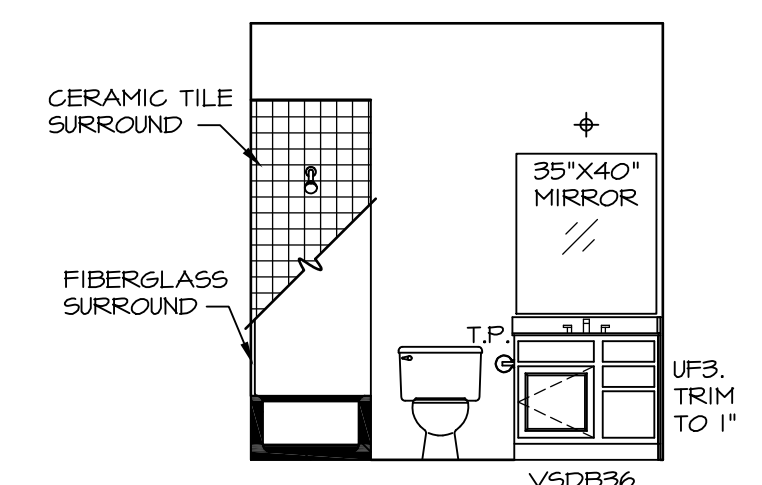
1. TEMPERED GLASS SHOWER ENCLOSURE WITH SWING DOOR OR OPTIONAL SLIDING DOOR BY DIVISION
2. TUB ACCESS PANELS PROVIDED AS NEEDED, ALL MATERIALS BY DIVISION
3. REFER TO SHEET IT-2 FOR TUB AND SHOWER DETAILS.
4. ALL VSDB24-42 DRAWERS TO BE SET ON RIGHT HAND.
5. BATH ELEVATIONS ARE SHOWN PER PLAN.



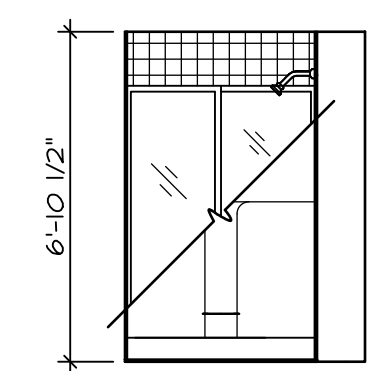
**D BATH #1**  
SCALE: 1/4" = 1'-0"



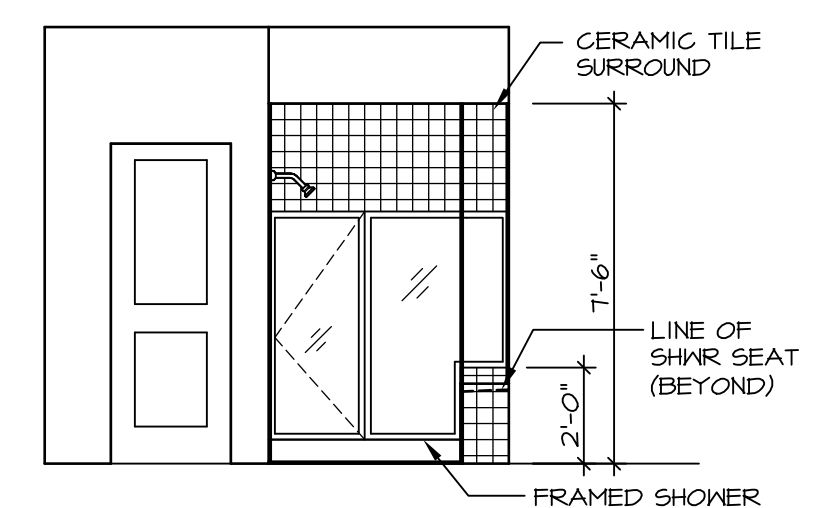
**G OWNER'S BATH**  
SCALE: 1/4" = 1'-0"



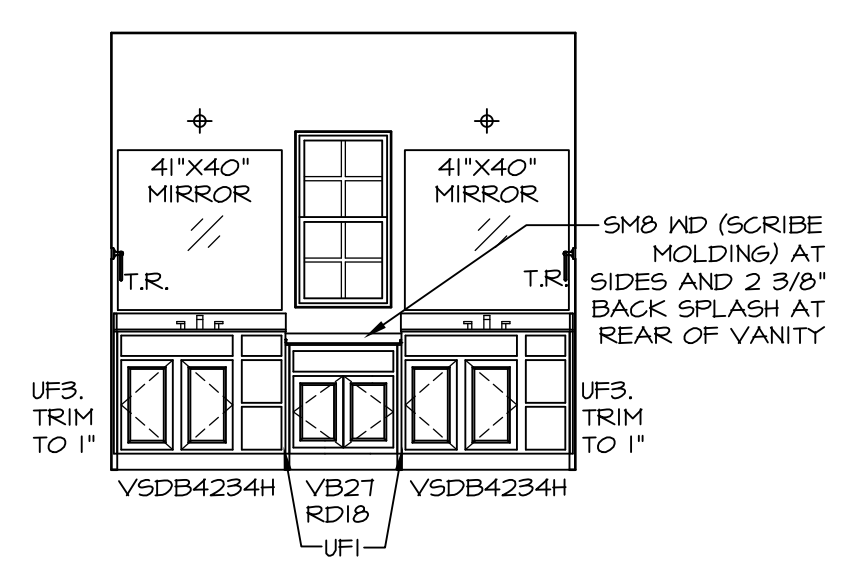
**C BATH #1**  
SCALE: 1/4" = 1'-0"



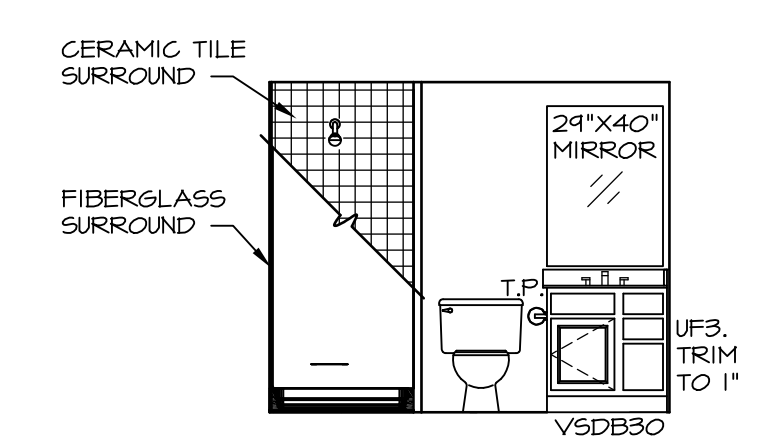
**B BSMT. BATH**  
SCALE: 1/4" = 1'-0"



**J OWNER'S BATH**  
SCALE: 1/4" = 1'-0"



**H OWNER'S BATH**  
SCALE: 1/4" = 1'-0"



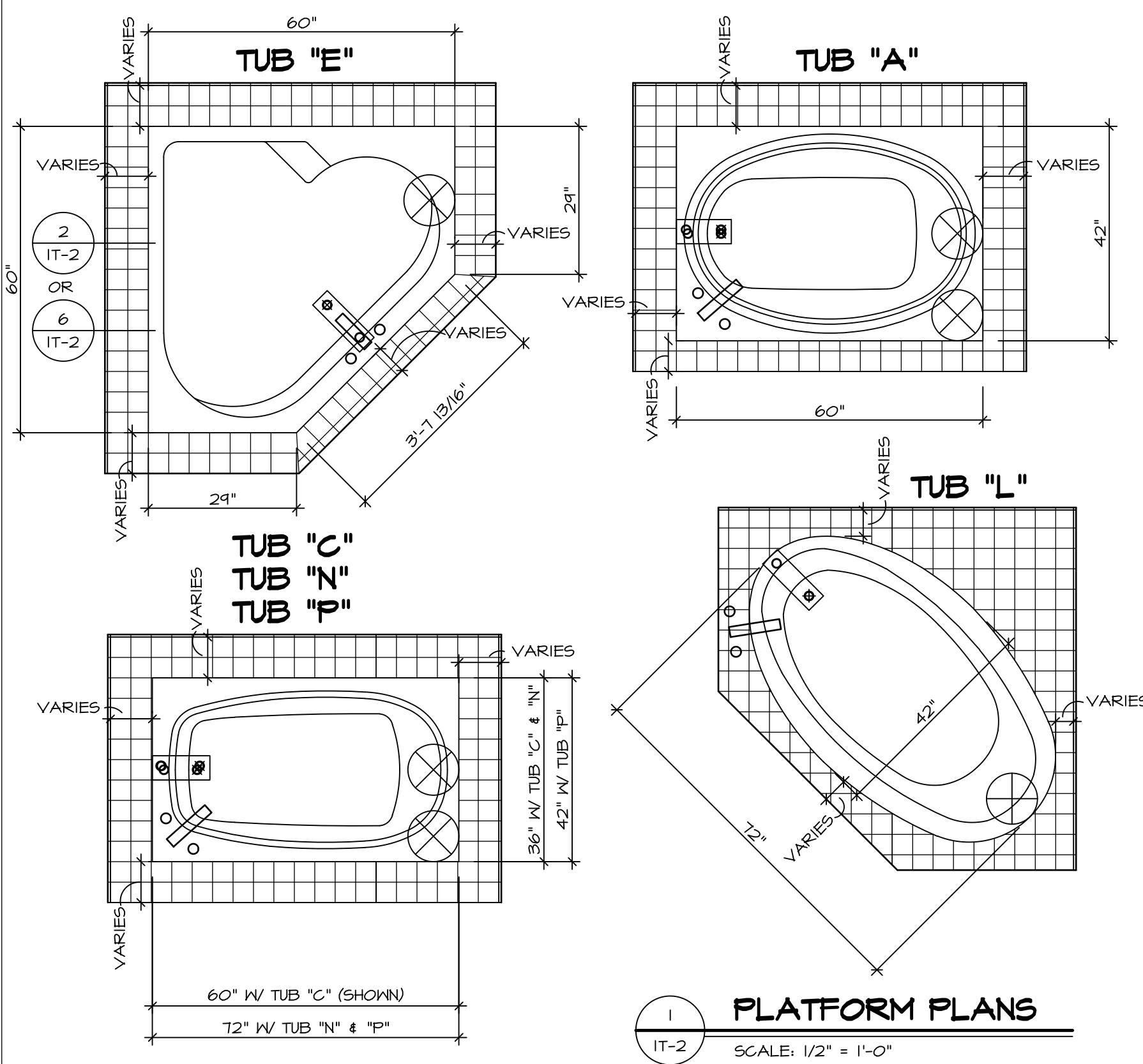
**A BSMT. BATH**  
SCALE: 1/4" = 1'-0"

REV. NO.	DATE	REMARKS
1	08/04/16	N-DRAWING ALIGNMENT

NVR, Inc., owner, expressly reserves its common law copyright and other property rights in these plans. These plans are not to be copied, reproduced, or transmitted in any form or by any means, nor are they to be assigned to any third party, without first obtaining the expressed written consent of NVR, Inc.

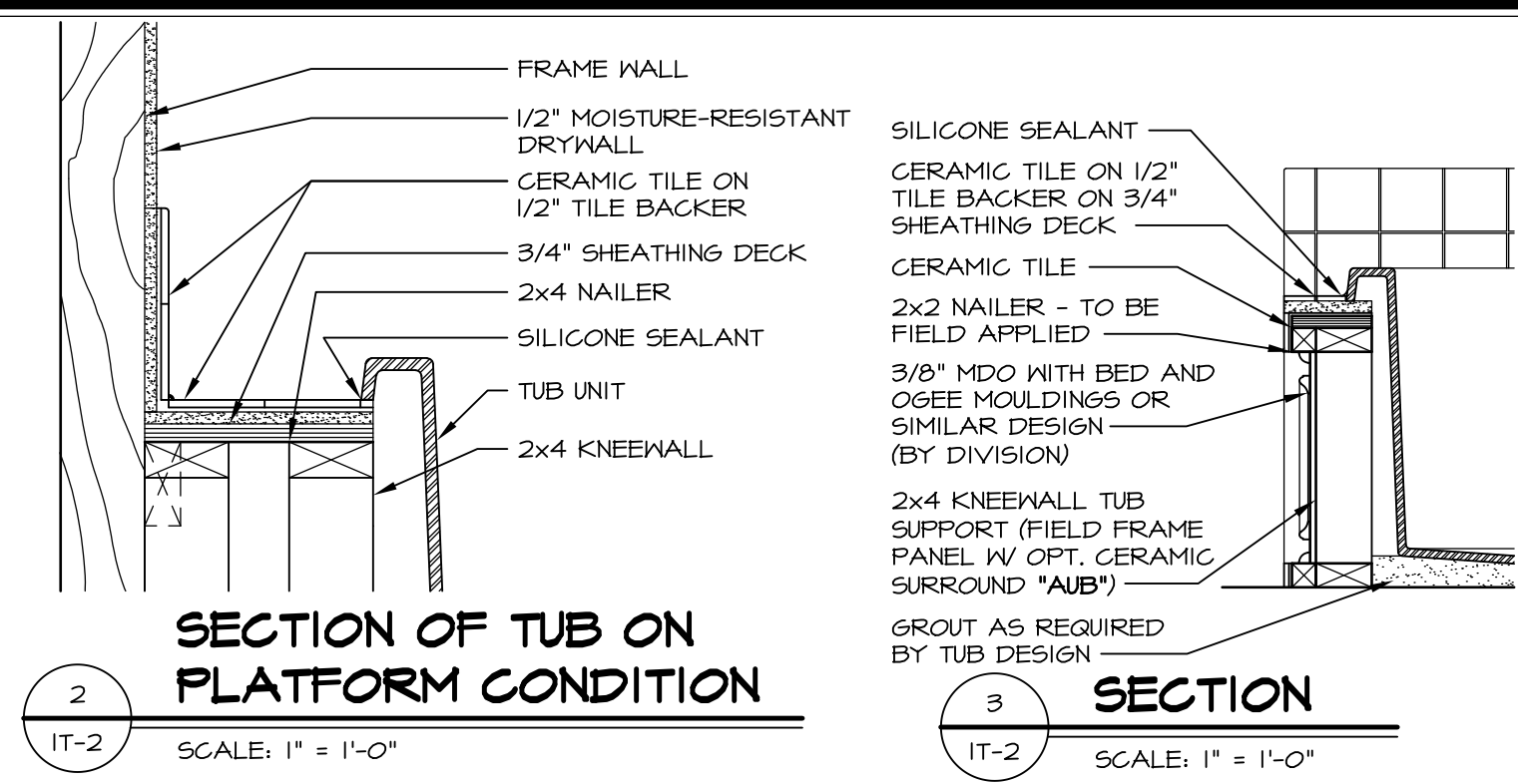
**NVR**  
NVR, Inc.  
Architectural Services  
Architects  
5285 Westchase Lane, Suite 100  
Frederick, MD 21703

MODEL	CAROLINA PLACE
DRAWING TITLE	BATH ELEVATIONS
OPTION DESCRIPTION	
SHEET NO.	A-14
SET NO.	CNPOO
VERSION	02
DRAWN BY	
DATE	6/7/16
OPTION	
SHEET NO.	57

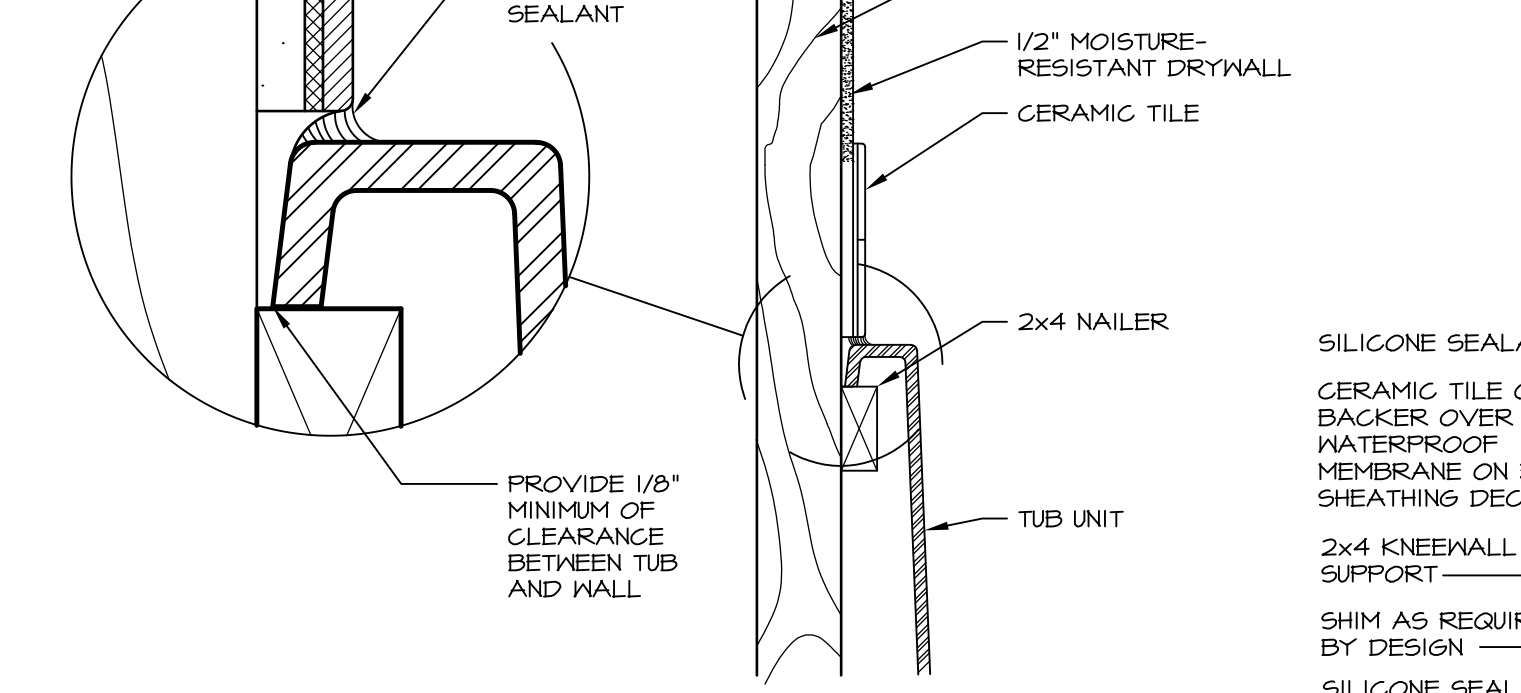


**1 PLATFORM PLANS**  
SCALE: 1/2" = 1'-0"

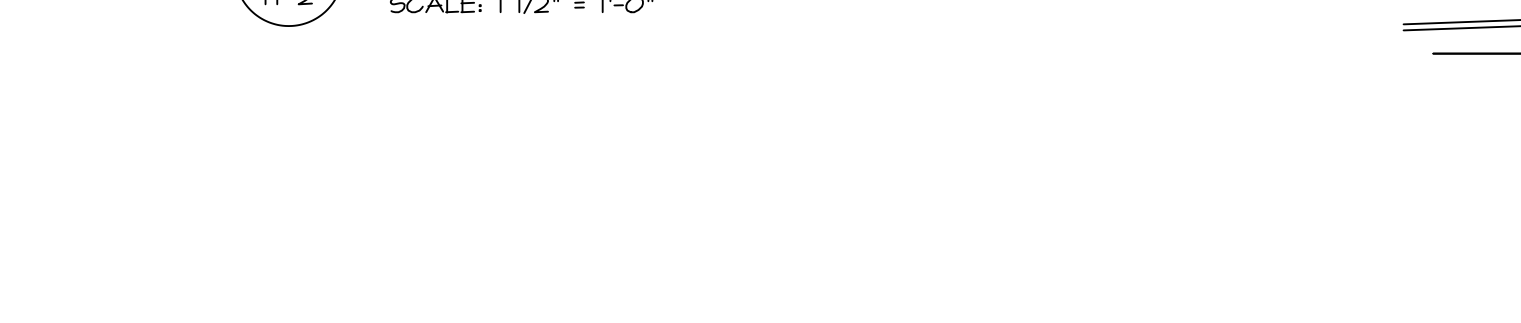
TUB	MANUF.	HEIGHT	WIDTH	LENGTH	TUB DECK PANEL HEIGHT
"A"	KOHLER/ STERLING	18 3/4"	42"	60"	17 1/8"
"C"	KOHLER/ STERLING	18 3/4"	36"	60"	17 1/8"
"E"	KOHLER/ STERLING	19 1/2"	60"	60"	17 7/8"
"L"	KOHLER/ STERLING	18 1/2"	42"	72"	16 7/8"
"N"	KOHLER/ STERLING	18 3/4"	36"	72"	17 1/8"
"P"	KOHLER/ STERLING	18 3/4"	42"	72"	17 1/8"



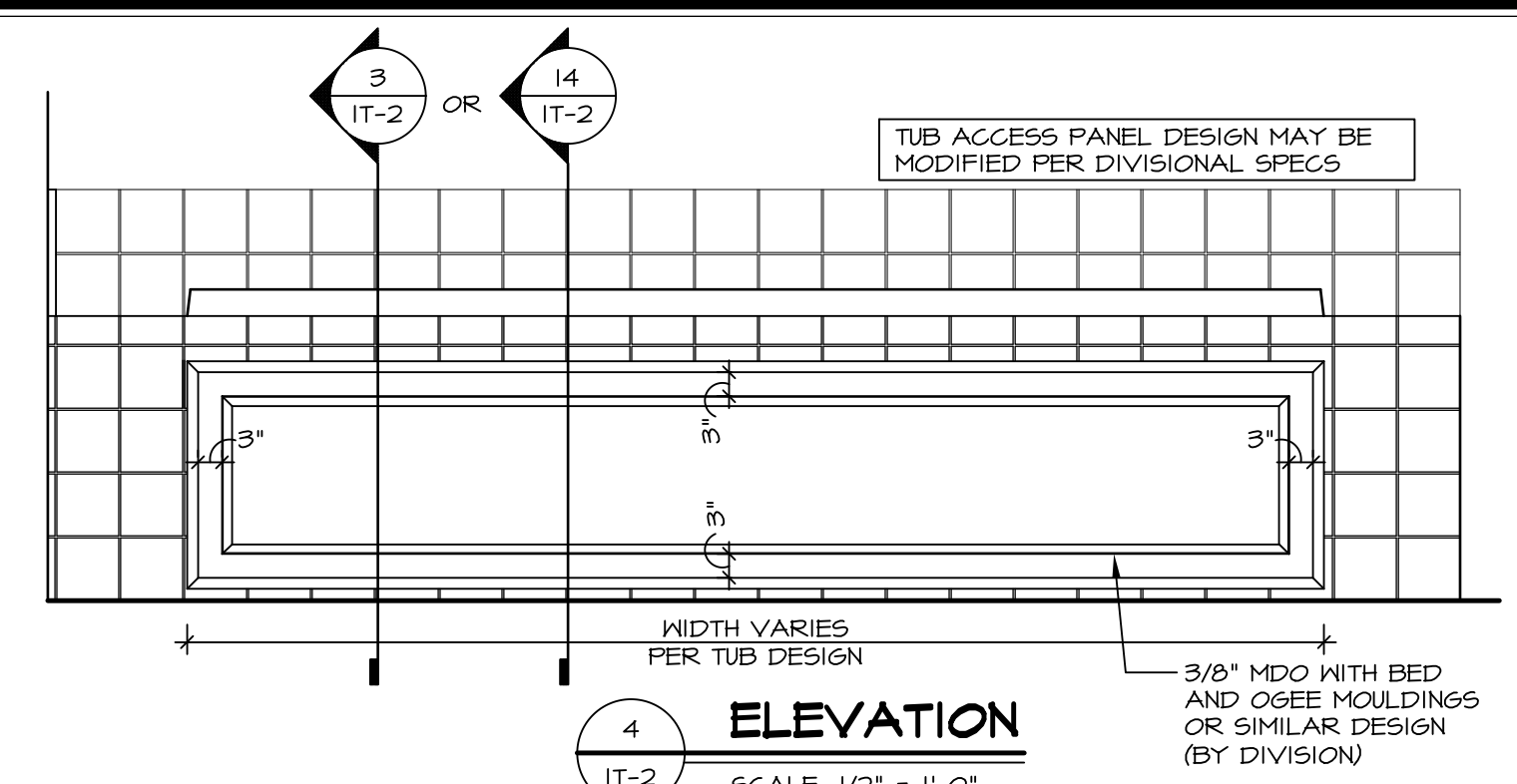
**2 SECTION OF TUB ON PLATFORM CONDITION**  
SCALE: 1" = 1'-0"



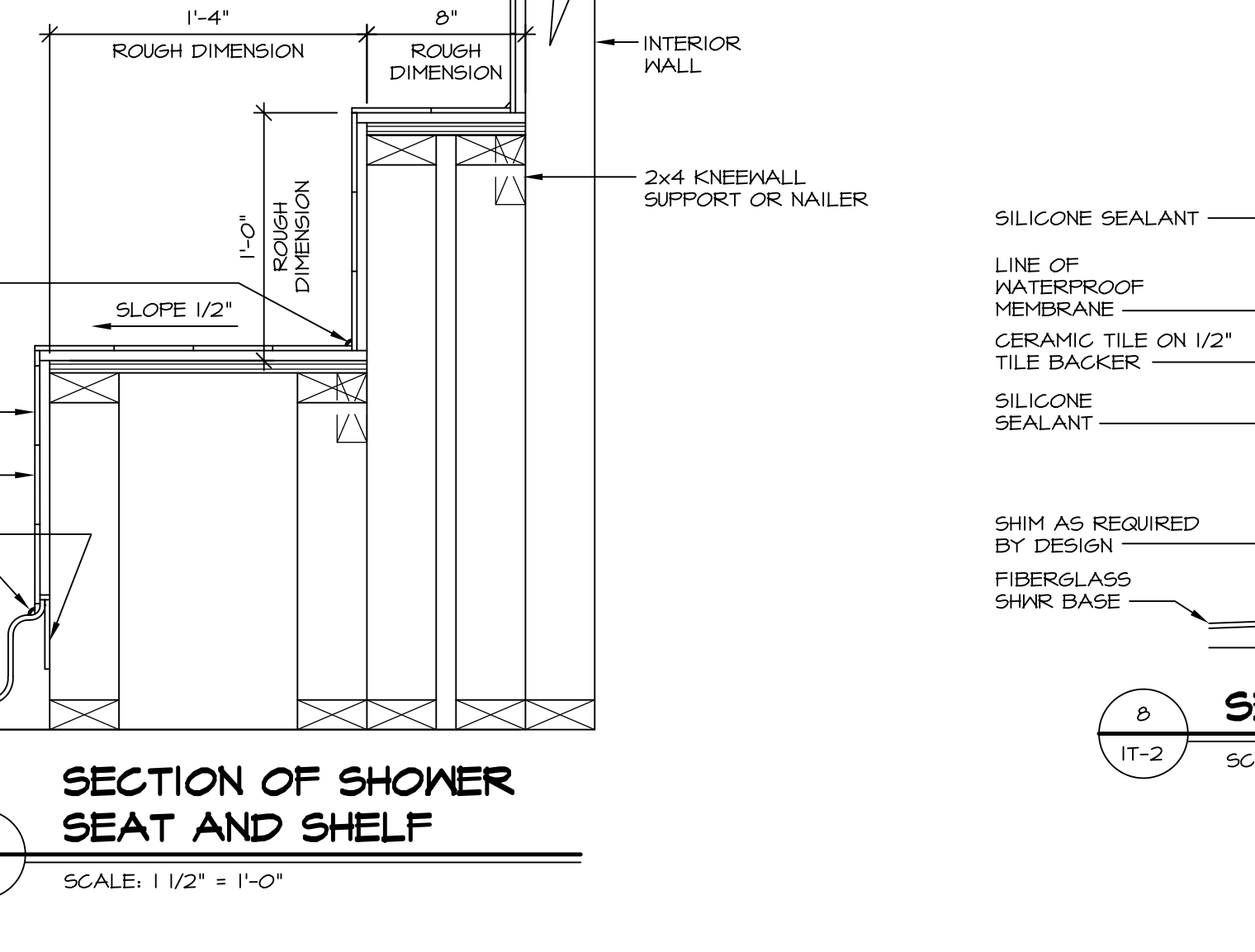
**3 SECTION**  
SCALE: 1" = 1'-0"



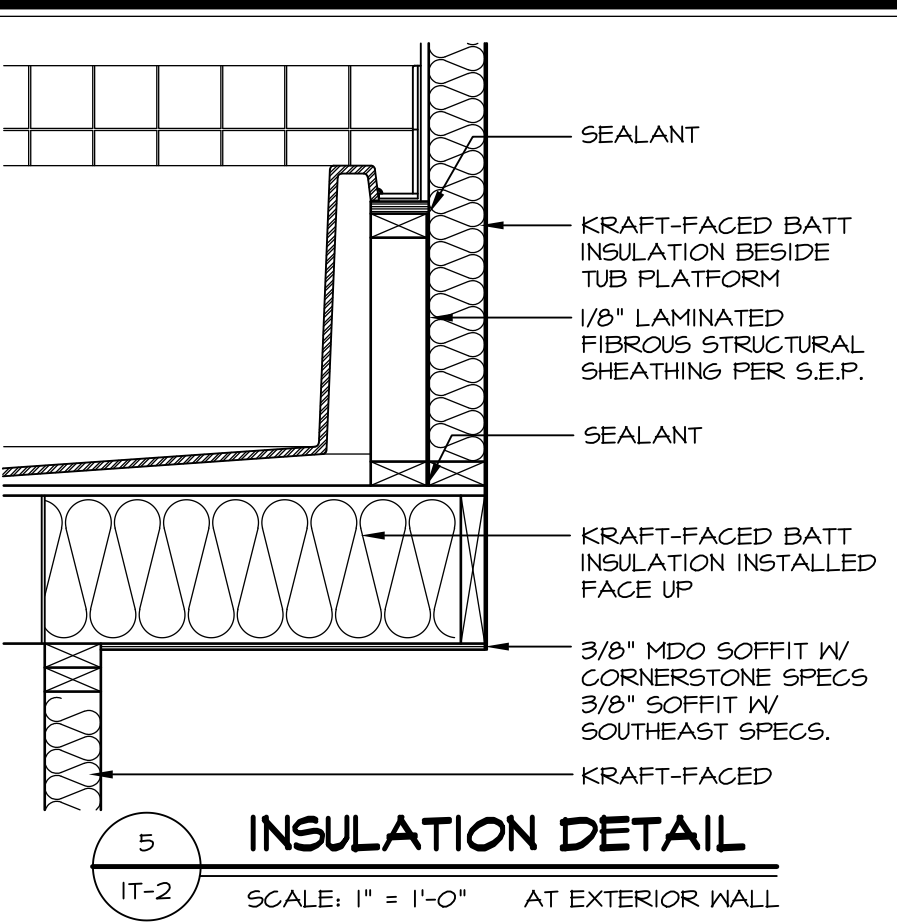
**6 SECTION OF TUB TO WALL CONDITION**  
SCALE: 1 1/2" = 1'-0"



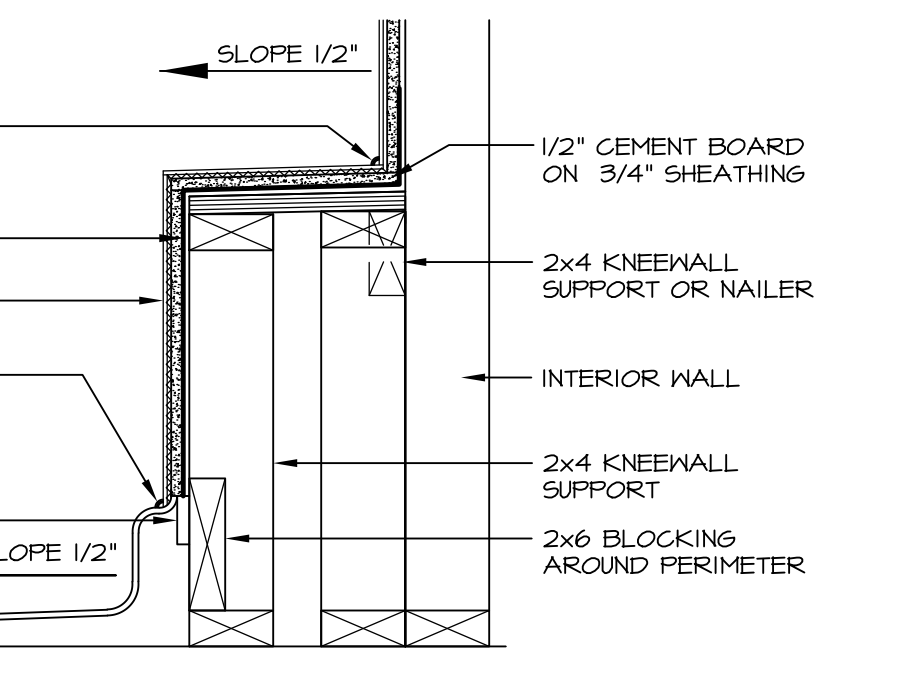
**4 ELEVATION**  
SCALE: 1/2" = 1'-0"



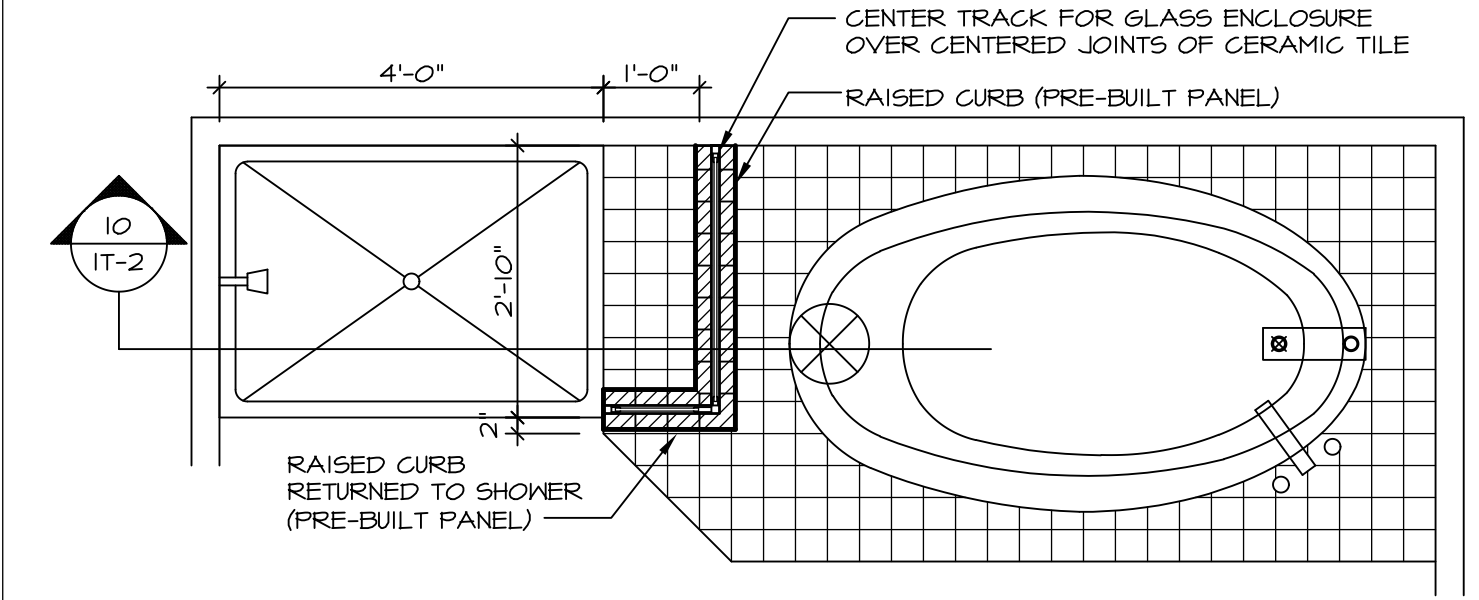
**7 SECTION OF SHOWER SEAT AND SHELF**  
SCALE: 1 1/2" = 1'-0"



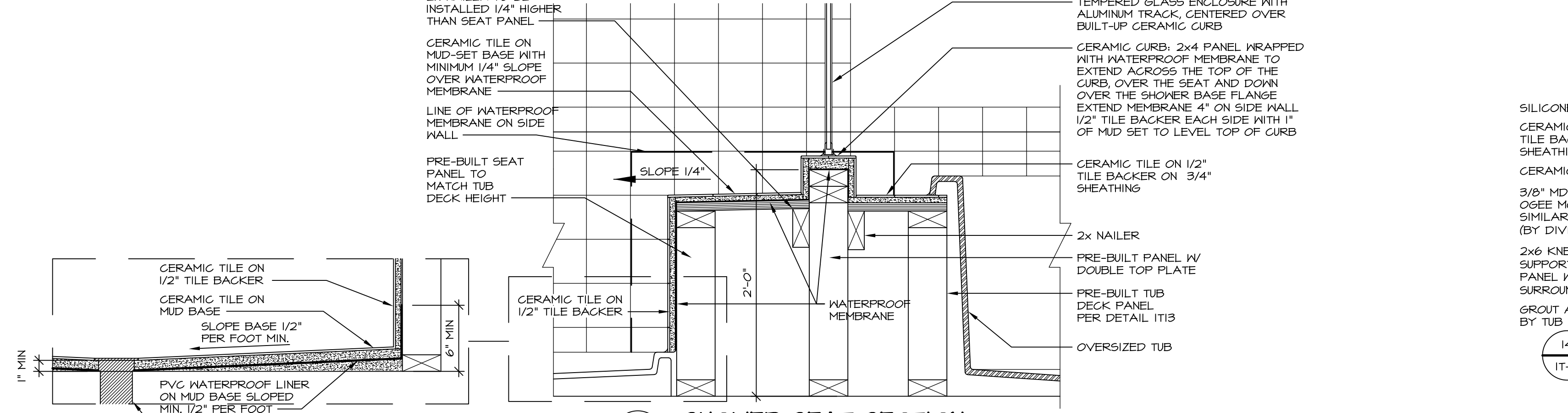
**5 INSULATION DETAIL**  
SCALE: 1" = 1'-0" AT EXTERIOR WALL



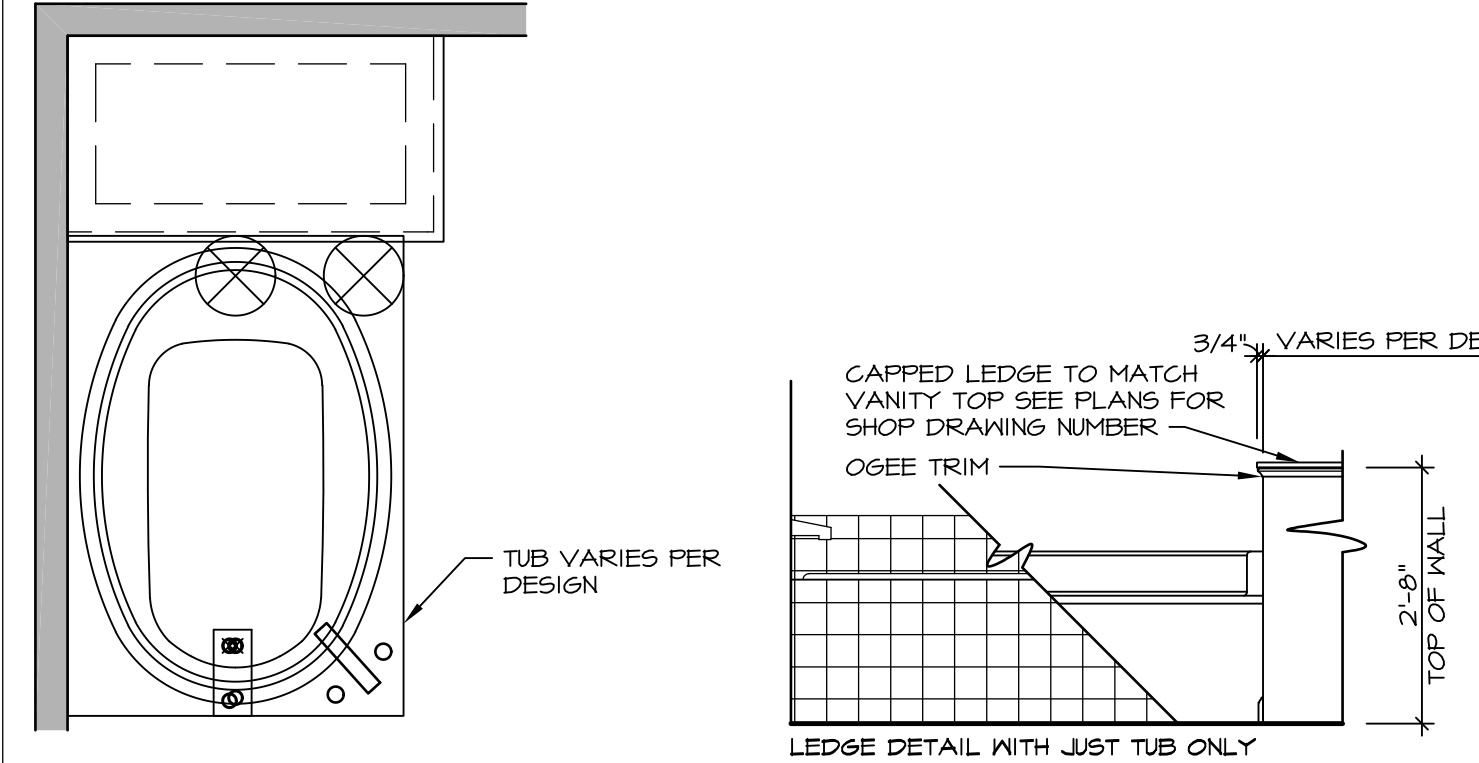
**8 SECTION OF SHOWER SEAT**  
SCALE: 1-1/2" = 1'-0" FIBERGLASS SHOWER BASE



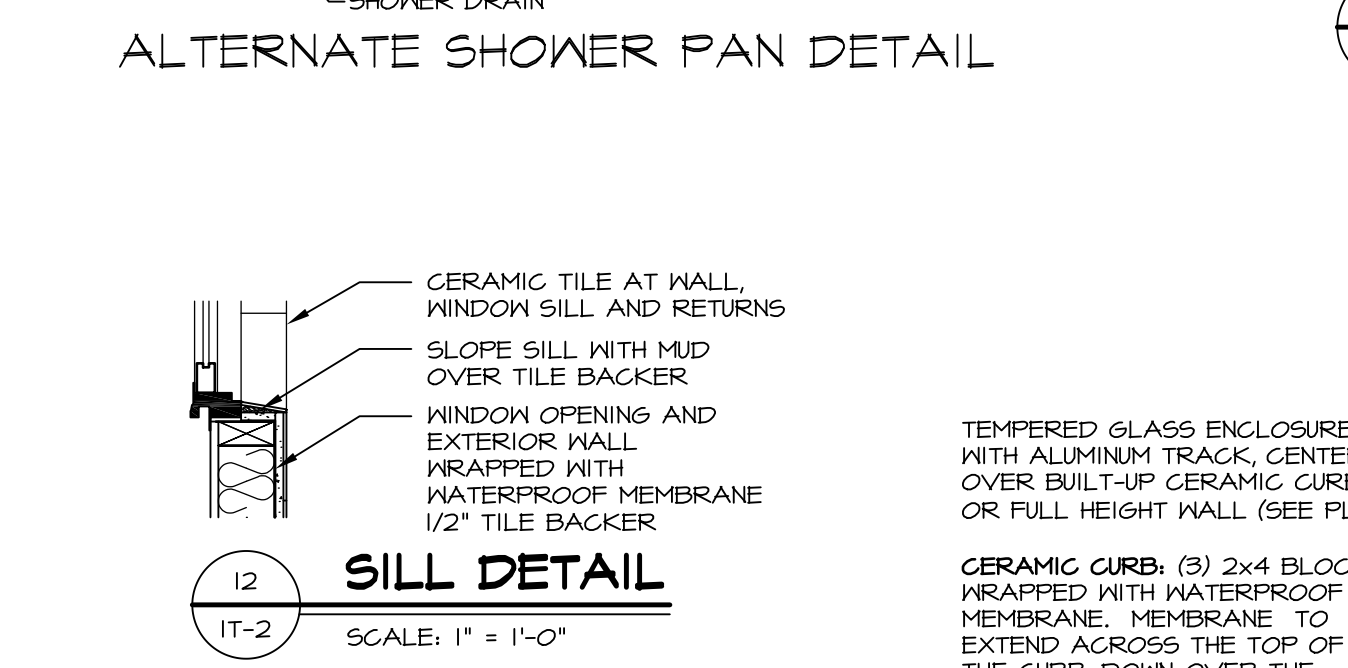
**9 SHOWER SEAT PLAN / DETAIL**  
SCALE: 1/2" = 1'-0"



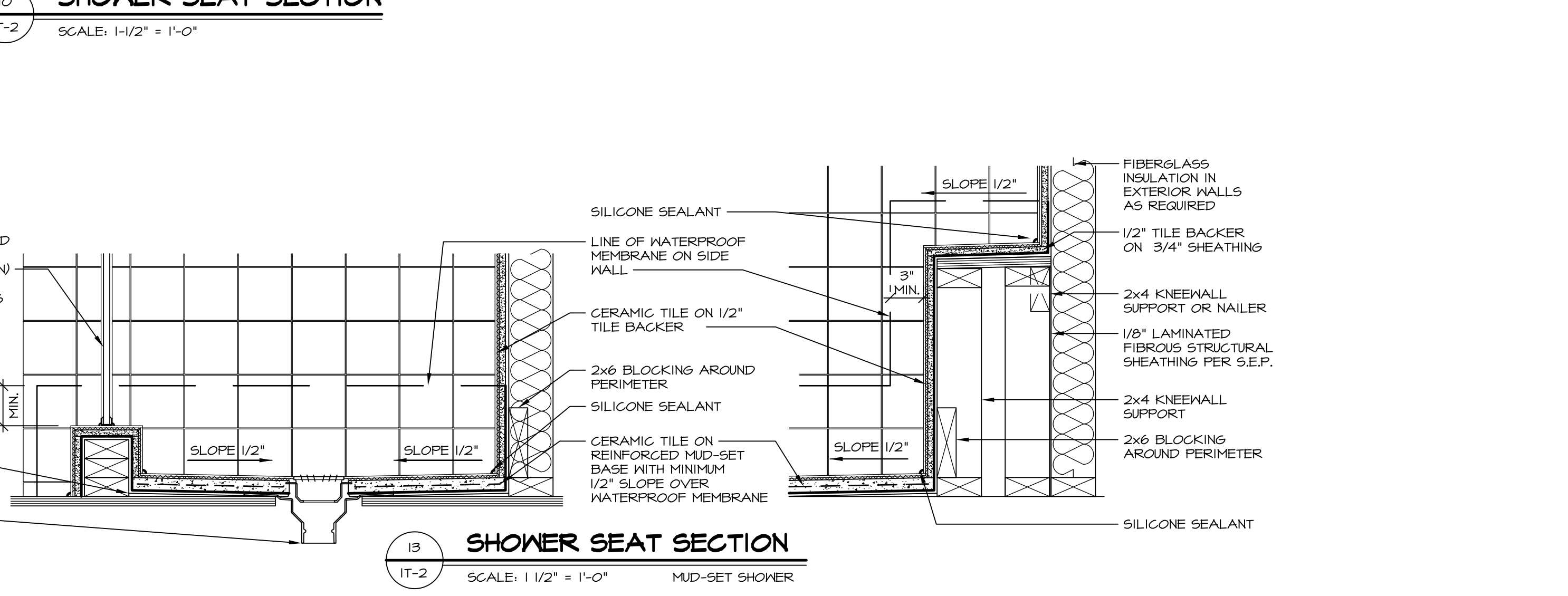
**10 SHOWER SEAT SECTION**  
SCALE: 1-1/2" = 1'-0"



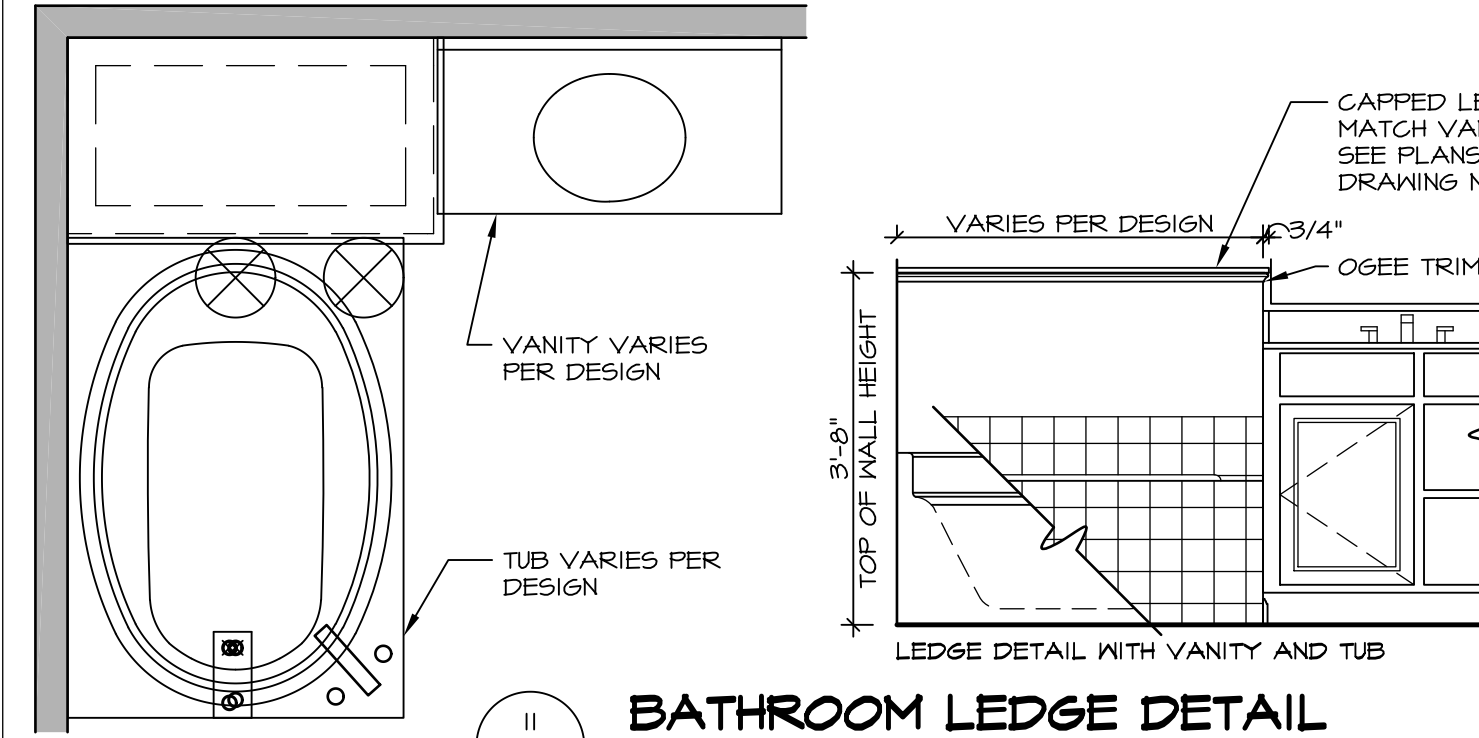
**11 BATHROOM LEDGE DETAIL**  
SCALE: 1/2" = 1'-0"



**12 SILL DETAIL**  
SCALE: 1" = 1'-0"



**13 SHOWER SEAT SECTION**  
SCALE: 1 1/2" = 1'-0" MUD-SET SHOWER



**11 BATHROOM LEDGE DETAIL**  
SCALE: 1/2" = 1'-0"

REVISIONS

REV. NO.	DATE	DESCRIPTION
1	5/1/17	EBP - REVISED DETAIL 1 AND 11 TO REMOVE TUB ACCESS PANEL REF. (DSS #15 5414)
2	9/2/17	EBP - REVISED T-FLY NOTE TO CALL OUT LFS
3	9/2/17	EBP - REVISED NOTE ON DETAIL #1 - REVISED ORDER OF MATERIAL PARA#4934

NVR, Inc., owner, expressly reserves its common law copyright and other property rights in these plans. These plans are not to be reproduced, stored in a retrieval system, or transmitted in any form or by any means, electronic, mechanical, photocopying, recording, or by any information storage and retrieval system, without the prior written consent of NVR, Inc.

**NVR**  
NVR, Inc.  
Architectural Services  
5285 Westpark Drive  
Frederick, MD 21703

SET NO. NVR  
VERSION  
DRAWN BY  
DATE:  
OPTION

MODEL  
**STANDARD DETAILS**  
DRAWING TITLE  
INTERIOR TRIM DETAILS  
BATH DETAILS  
OPTION DESCRIPTION

SHEET NO.  
**IT-2**