

CHE 943  
3562 ARROWWOOD STREET  
CENTERVILLE, OH 45458

2 Story Basement

Finished basement and full bath

2 hose bibs with valves

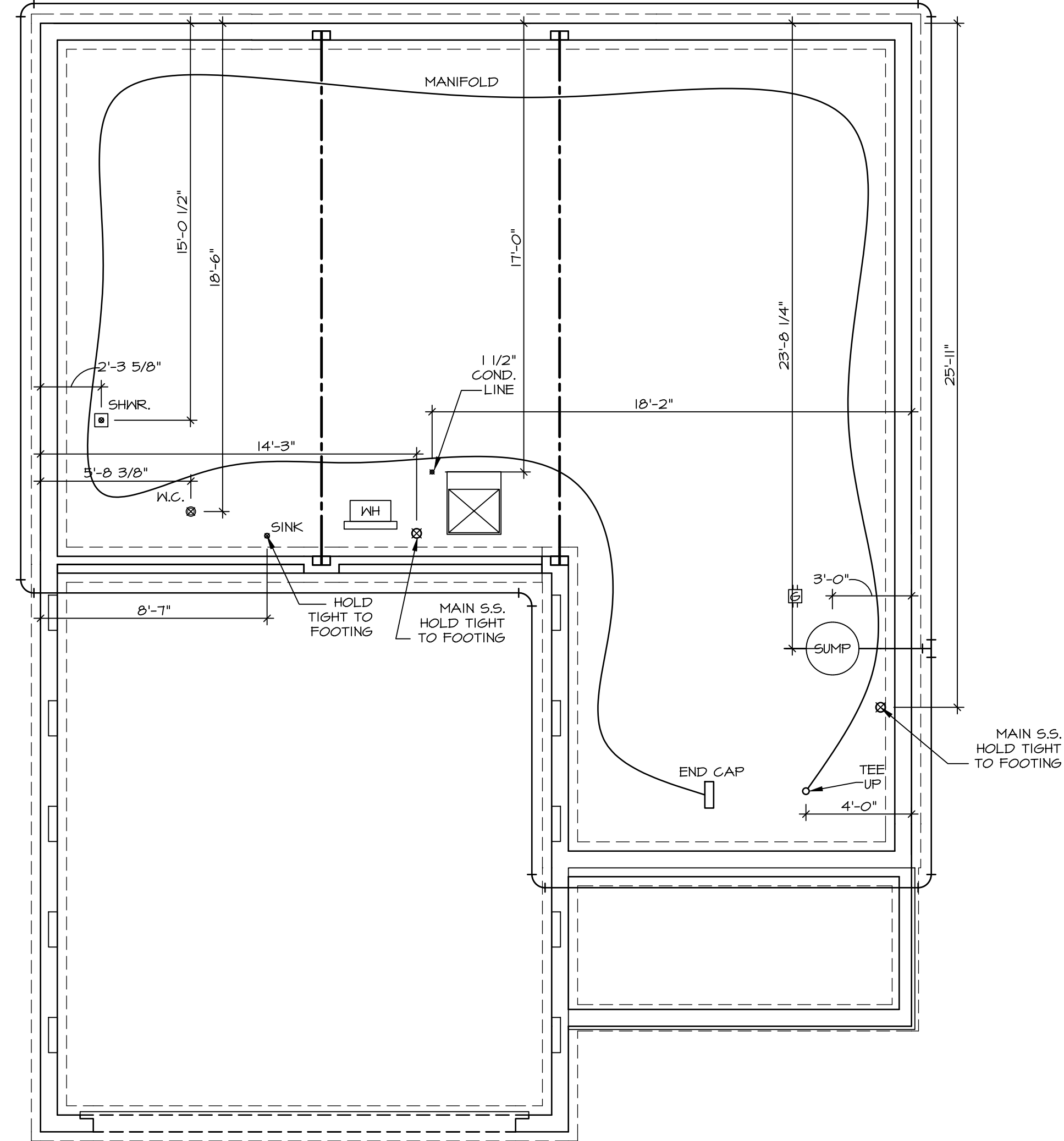
ice maker

1 tub

2 shower

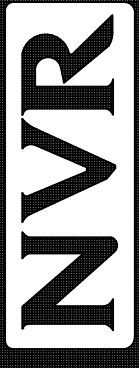
WATER HEATER ELECTRIC 50 GALLON

Gas Furnace



1  
A-5  
**PLUMBING PLAN**  
SCALE: 1/4" = 1'-0"

**NOTE**  
RADON REMEDIATION  
RADON LOOP:  
- (4") PERFORATED HDPE "LOOP"  
- MUST BE PLACED IN STONE BED SLIGHTLY HIGHER THAN ANY INTERIOR DRAINTILE  
- LOOP TO BE SEPARATE FROM ANY DRAINTILE ELEMENTS  
- TO BE CORRUGATED HDPE PIPE  
- SCREWS TO BE INSTALLED THROUGH LOOP AT TEE UP INTO STACK  
STACK REQUIREMENTS:  
- 3" PVC STACK (4" IF BASEMENT IS GREATER THAN 2200 SQFT.)  
- NO PART OF STACK IS TO BE HORIZONTAL  
- PIPE TO BE PHYSICALLY LABELED IN THE FIELD AS "RADON VENT" OR OTHER JURISDICTIONALLY REQUIRED LANGUAGE (ON EVERY LEVEL OF HOUSE)  
- ROOF TERMINATION TO BE IN TOP 1/3 OF ROOF  
- SCREEN INSTALLED TO KEEP PESTS OUT OF RADON VENT AT ROOF TERMINATION

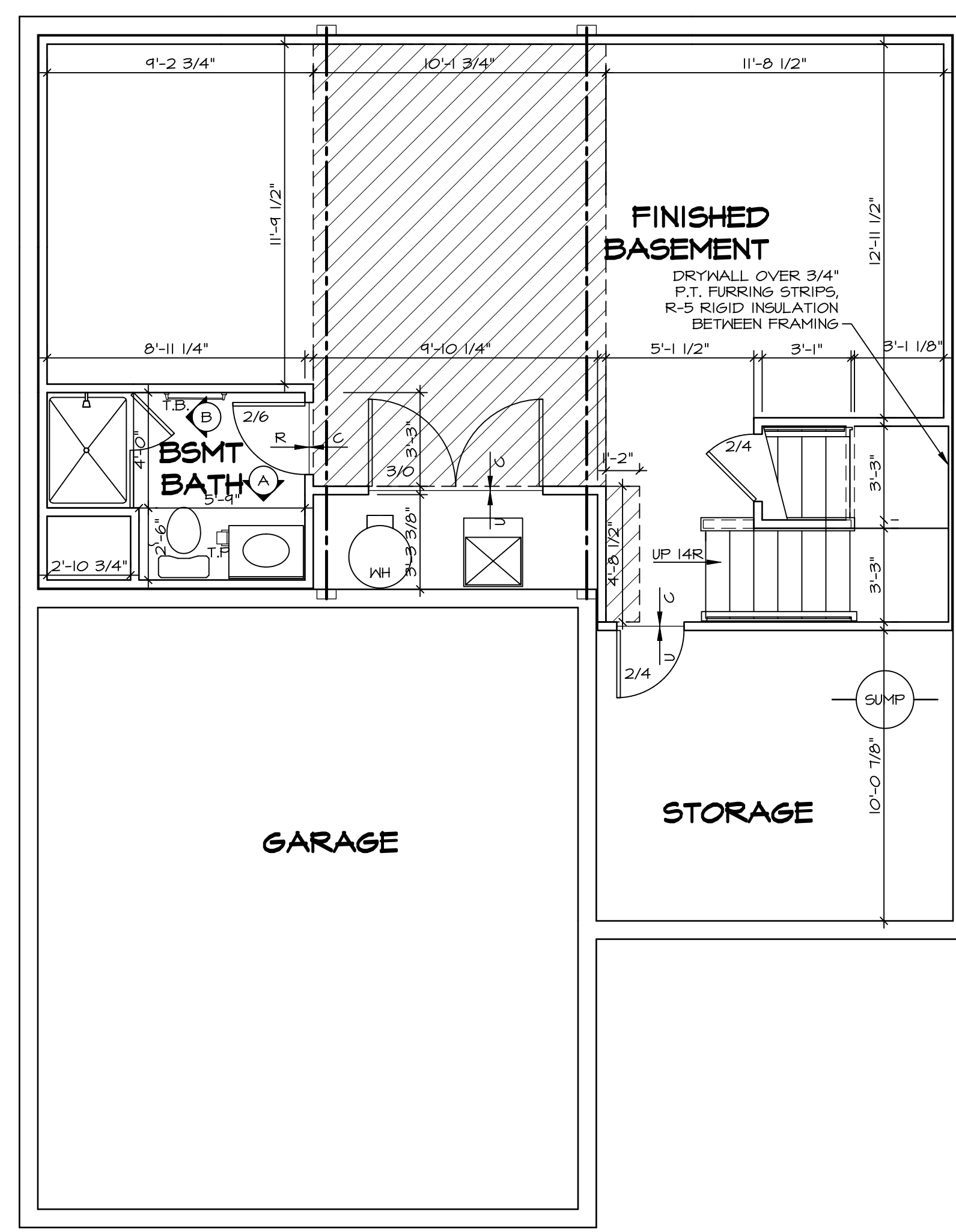
SHEET NO. <b>A-5</b>	MODEL <b>ALLEGHENY</b>	SET NO. AL600	VERSION 01	RELEASE NO. ----	DATE: 08/04/2017	OPTION
		DRAWN BY TN DRAWN BY TN DATE: 08/04/2017				
10	OPTION DESCRIPTION	C:\NVR\Stores\ALLEGHENY_AL600_01\DCY-CH-E943\Streets\Lot_Specific\A-5_PLMG_1.S.dwg 07/28/23 - 2:16 pm				
		 NVR, Inc., Suite 100 5285 Westchase Frederick, MD 21703				
DIV-COMM-LOT-UNIT <b>DCY-CH-E943</b>		<small>© NVR, Inc., expressly reserves its copyright and other property rights in these plans. These plans are not to be reproduced, stored in a retrieval system, or copied in any form or manner whatsoever, nor are they to be used for any project without the written consent of NVR, Inc.</small>				
COMM-LOT CARRIAGE TRAILS - E943		STREET ADDRESS <b>9562 ARROWWOOD STREET</b>				
CITY TIFF CITY		STATE OH		ZIP 45971		

LEGEND	
	BEARING WALL
	NON BEARING WALL
	INDICATES BEARING FROM POINT-LOAD ABOVE
	JACKS
	BEAM/HEADER
	PAD FOOTING
	STEEL COLUMN
	PORTAL FRAME
	JOIST/TRUSS
	LVL
	ENGINEERING PAGE NUMBER

SEE FC DETAILS FOR FRAMING CONNECTORS

- FLOOR PLAN NOTES**
- ALL HEADERS ARE (2) 2x6 w/ 2x4 WALLS OR (3) 2x6 w/ 2x6 WALLS, UNLESS OTHERWISE NOTED.
  - ALL HEADERS TO HAVE (1) 2x4 OR 2x6 JACK AND KING STUD EACH END, UNLESS OTHERWISE NOTED.
  - ALL EXTERIOR WALLS TO BE 4" w/ OSB OR 3 1/2" w/ T-PLY, ALL INTERIOR WALLS TO BE 3 1/2", UNLESS OTHERWISE NOTED.
  - HATCHED AREAS INDICATE DROPPED CEILING. ALL DROPPED CEILING ARE 12" UNLESS OTHERWISE NOTED.
  - SEE "BRACED WALL PANEL DETAIL SHEET" FOR SPECIAL WALL FRAMING LOCATIONS AND HEADER SIZES, IF APPLICABLE.
  - SEE STANDARD DETAIL CATEGORY "IT" SHEET(S) FOR INTERIOR TRIM DETAILS.
  - SEE ARCHITECTURAL DETAIL SHEET "AD" FOR HOUSE SPECIFIC INTERIOR TRIM OPTION TABLE.
  - ALL WINDOWS HAVE 7'-0 1/2" HEADER HEIGHT UNLESS OTHERWISE NOTED.
  - ALL HEADERS IN NON-BEARING WALLS SHALL BE A SINGLE FLAT 2x4 OR 2x6 ATTACHED TO CRIPPLES ABOVE, UNLESS OTHERWISE NOTED.
  - TANKED WATER HEATER SHOWN AS BASE CONDITION, OPTIONAL TANKLESS WATER HEATER IS AVAILABLE IN LIEU OF TANKED WATER HEATER.

- GYPSUM NOTES**
- AT GARAGE:  
 GYPSUM BOARD AT COMMON WALLS, CEILING, BEAM WRAPS AND SUPPORTS PER STANDARD DETAIL FA-1(b) FIRE ASSEMBLIES OR AS REQUIRED BY LOCAL CODE.
- AT STAIRS:  
 1/2" GYPSUM BOARD AT UNDERSIDE OF STAIRS AND WALLS IN CLOSET



**BASEMENT FLOOR PLAN**  
 SCALE: 1/4" = 1'-0"

SHEET NO. <b>A-6</b>	MODEL <b>ALLEGHENY</b>	SET NO. <b>AL600</b>	VERSION <b>01</b>	RELEASE NO. <b>----</b>
	DRAWING TITLE <b>BASEMENT FLOOR PLAN</b>	DRAWN BY <b>TN</b>	DATE: <b>08/04/2017</b>	OPTION
OPTION DESCRIPTION <b>  </b>		C:\NVR\Solives\ALLEGHENY_AL600_01\DCY-CH-E943\2887692\Sheets\Lot_Specific\A-6_BSMT_LS.dwg 07/28/23 - 2:16 pm DIV-COMM-LOT-UNIT <b>DCY-CH-E943</b> COM-LOT CARRIAGE TRAILS - E943 STREET ADDRESS <b>9562 ARROWWOOD STREET</b> CITY <b>TIPP CITY</b> STATE <b>OH</b> ZIP <b>45371</b>		

© NVR, Inc., expressly reserves its copyright and other property rights in these plans. These plans are not to be reproduced, stored in a retrieval system, copied in any form or manner whatsoever, nor are they to be used for any project without the prior written consent of NVR, Inc.

FIRST FLOOR JACK SCHEDULE			
IDENTIFIER	DESCRIPTION	ENG. NUM.	REMARKS
J101	JACK - (4) 2X4 SFF STUD GRADE	1004	
J102	JACK - (4) 2X6 SFF STUD GRADE	1004	
J103	JACK - (5) 2X4 SFF#1	1008	
J104	JACK - (5) 2X4 SFF#1	1008	
J107	JACK - (3) 2X6 SFF#1	1014	
J108	JACK - (3) 2X4 SFF STUD GRADE	1014	
J109	JACK - (3) 2X6 SFF STUD GRADE	1016	
J110	JACK - (3) 2X4 SFF STUD GRADE	1016	
J111	JACK - (2) 2X4 SFF STUD GRADE	1025	
J112	JACK - (2) 2X4 SFF STUD GRADE	1025	
J113	JACK - (2) 2X4 SFF STUD GRADE	1033	
J115	JACK - (4) 2X4 SFF STUD GRADE	1006	
J120	JACK - (2) 2X4 SFF STUD GRADE	1027	
J121	JACK - (2) 2X4 SFF STUD GRADE	1027	
J122	JACK - (2) 2X4 SFF STUD GRADE	1027	
J124	JACK - (2) 2X4 SFF STUD GRADE	1027	

FIELD INSTALLED FIRST FLOOR BEAM/HEADER SCHEDULE				
IDENTIFIER	DESCRIPTION	LENGTH	ENG. NUM.	REMARKS
B101	BEAM STEEL - W10X30	20'-6"	1008	
PF101-2	LVL 1.75 - 11-04	14'-4"	1025	PORTAL FRAME LA

STEEL COLUMN SCHEDULE				
IDENTIFIER	STYLE	HEIGHT	ENG. NUM.	REMARKS
C101	STANCHION PORCH - 3 IN DIA 116A ADJ	4'-2 5/8"	1033	

**LEGEND**

- BEARING WALL
- NON BEARING WALL
- INDICATES BEARING FROM POINT-LOAD ABOVE JACKS
- JACKS
- BEAM/HEADER
- PAD FOOTING
- STEEL COLUMN
- PORTAL FRAME
- JOIST/TRUSS
- LVL
- ENGINEERING PAGE NUMBER

SEE FC DETAILS FOR FRAMING CONNECTORS

**FLOOR PLAN NOTES** RYAN

- ALL HEADERS ARE (2) 2x6 w/ 2x4 WALLS OR (3) 2x6 w/ 2x6 WALLS, UNLESS OTHERWISE NOTED.
- ALL HEADERS TO HAVE (1) 2x4 OR 2x6 JACK AND KING STUD EACH END UNLESS OTHERWISE NOTED.
- ALL EXTERIOR WALLS TO BE 4" w/ OSB OR 3 1/2" w/ LAMINATED FIBROUS STRUCTURAL SHEATHING, ALL INTERIOR WALLS TO BE 3 1/2" UNLESS OTHERWISE NOTED.
- HATCHED AREAS INDICATE DROPPED CEILINGS. ALL DROPPED CEILINGS ARE 12" UNLESS OTHERWISE NOTED.
- SEE "BRACED WALL PANEL DETAIL SHEET" FOR SPECIAL WALL FRAMING LOCATIONS AND HEADER SIZES, IF APPLICABLE.
- SEE STANDARD DETAIL CATEGORY "IT" SHEET(S) FOR INTERIOR TRIM DETAILS.
- SEE ARCHITECTURAL DETAIL SHEET "AD" FOR HOUSE SPECIFIC INTERIOR TRIM OPTION TABLE.
- ALL WINDOWS HAVE 1'-0 1/2" HEADER HEIGHT UNLESS OTHERWISE NOTED.
- ALL HEADERS IN NON-BEARING WALLS SHALL BE A SINGLE FLAT 2X4 OR 2X6 ATTACHED TO CRIPPLES ABOVE, UNLESS OTHERWISE NOTED.
- TANKED WATER HEATER SHOWN AS BASE CONDITION, OPTIONAL TANKLESS WATER HEATER IS AVAILABLE IN LIEU OF TANKED WATER HEATER.

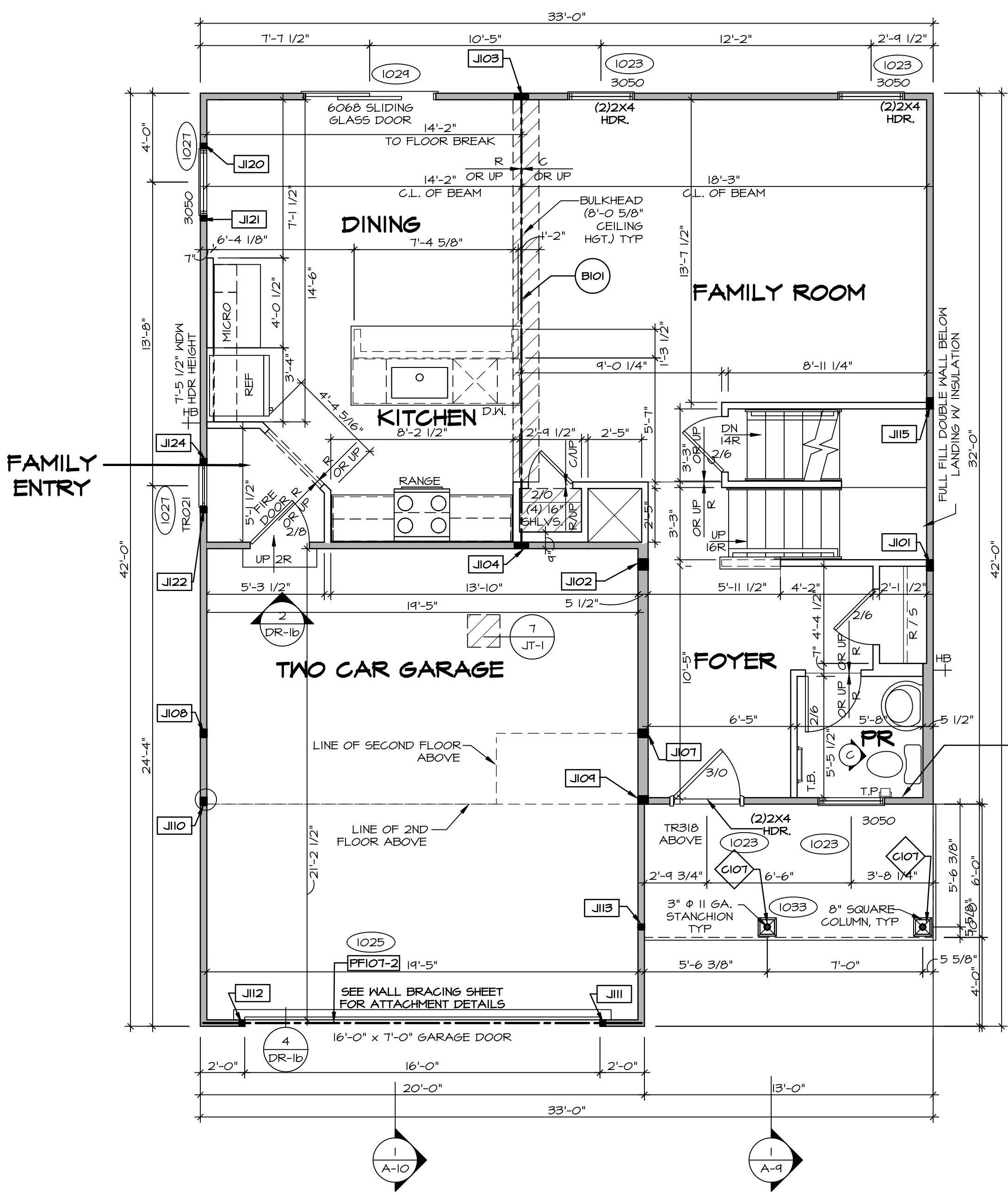
**GYPSUM NOTES**

AT GARAGE:  
GYPSUM BOARD AT COMMON WALLS, CEILINGS, BEAM WRAPS AND SUPPORTS PER STANDARD DETAIL FA-1(b) FIRE ASSEMBLIES OR AS REQUIRED BY LOCAL CODE.

AT STAIRS:  
1/2" GYPSUM BOARD AT UNDERSIDE OF STAIRS AND WALLS IN CLOSET

**LVL PLY TO PLY FASTENING SCHEDULE:** (WHERE APPLICABLE BASED ON LVL USAGE)

- 1A - (2) PLY UP TO AND INCLUDING 11 7/8" TALL; FASTEN PLYS W/ (2) ROWS 16D NAILS AT 12" O.C. OR ALT 1 1/2" WIDE LVL FASTEN PLYS W/ (3) ROWS 12D NAILS AT 12" O.C.
- 2A - (2) PLY 14" TO AND 18" TALL (INCLUSIVE); FASTEN PLYS W/ (3) ROWS 16D NAILS AT 12" O.C. OR ALT 1 1/2" WIDE LVL FASTEN PLYS W/ (4) ROWS 12D NAILS AT 12" O.C.
- 3A - (2) PLY 20" TALL AND OVER; FASTEN PLYS W/ (4) ROWS 16D NAILS AT 12" O.C. OR ALT 1 1/2" WIDE LVL FASTEN PLYS W/ (5) ROWS 12D NAILS AT 12" O.C.
- 4A - (3) PLY UP TO AND INCLUDING 11 7/8" TALL; FASTEN PLYS W/ (2) ROWS 16D NAILS AT 12" O.C. FROM EACH SIDE OR ALT 1 1/2" WIDE LVL FASTEN PLYS W/ (3) ROWS 12D NAILS AT 12" O.C. FROM EACH SIDE.
- 5A - (3) PLY 14" TO AND 18" TALL (INCLUSIVE); FASTEN PLYS W/ (3) ROWS 16D NAILS AT 12" O.C. FROM EACH SIDE OR ALT 1 1/2" WIDE LVL FASTEN PLYS W/ (4) ROWS 12D NAILS AT 12" O.C. FROM EACH SIDE.
- 6A - (3) PLY 20" TALL AND OVER; FASTEN PLYS W/ (4) ROWS 16D NAILS AT 12" O.C. FROM EACH SIDE OR ALT 1 1/2" WIDE LVL FASTEN PLYS W/ (5) ROWS 12D NAILS AT 12" O.C. FROM EACH SIDE.
- 7A - (4) PLY (ALL SIZES); FASTEN PLYS W/ (2) ROWS 1/2" DIAMETER A307 BOLTS AT 24" O.C. SEE SHOP DRAWING FOR ADDITIONAL INFORMATION.



**FIRST FLOOR PLAN**  
SCALE: 1/4" = 1'-0"

DIV-COMM-LOT-UNIT  
**DCY-CH-E943**  
COM-Lot  
CARRIAGE TRAILS - E943  
STREET ADDRESS  
9562 ARROWWOOD STREET  
CITY STATE ZIP  
TIPP CITY OH 45371

NVR, Inc. expressly reserves its copyright and other property rights in these plans. These plans are not to be reproduced, stored in a retrieval system, copied in any form or manner whatsoever, nor are they to be transmitted in any way without the prior written consent of NVR, Inc.

**NVR**  
NVR, Inc., Suite 100  
5285 Westchick, MD 21703

SET NO. ALGOO  
VERSION 01  
RELEASE NO. ----  
DRAWN BY YON  
DATE: 08/10/2017  
OPTION

SHEET NO. **A-7**  
MODEL **ALLEGHENY**  
DRAWING TITLE **FIRST FLOOR PLAN**  
OPTION DESCRIPTION  
12

**SECOND FLOOR JACK SCHEDULE**

IDENTIFIER	DESCRIPTION	ENG. N.M.

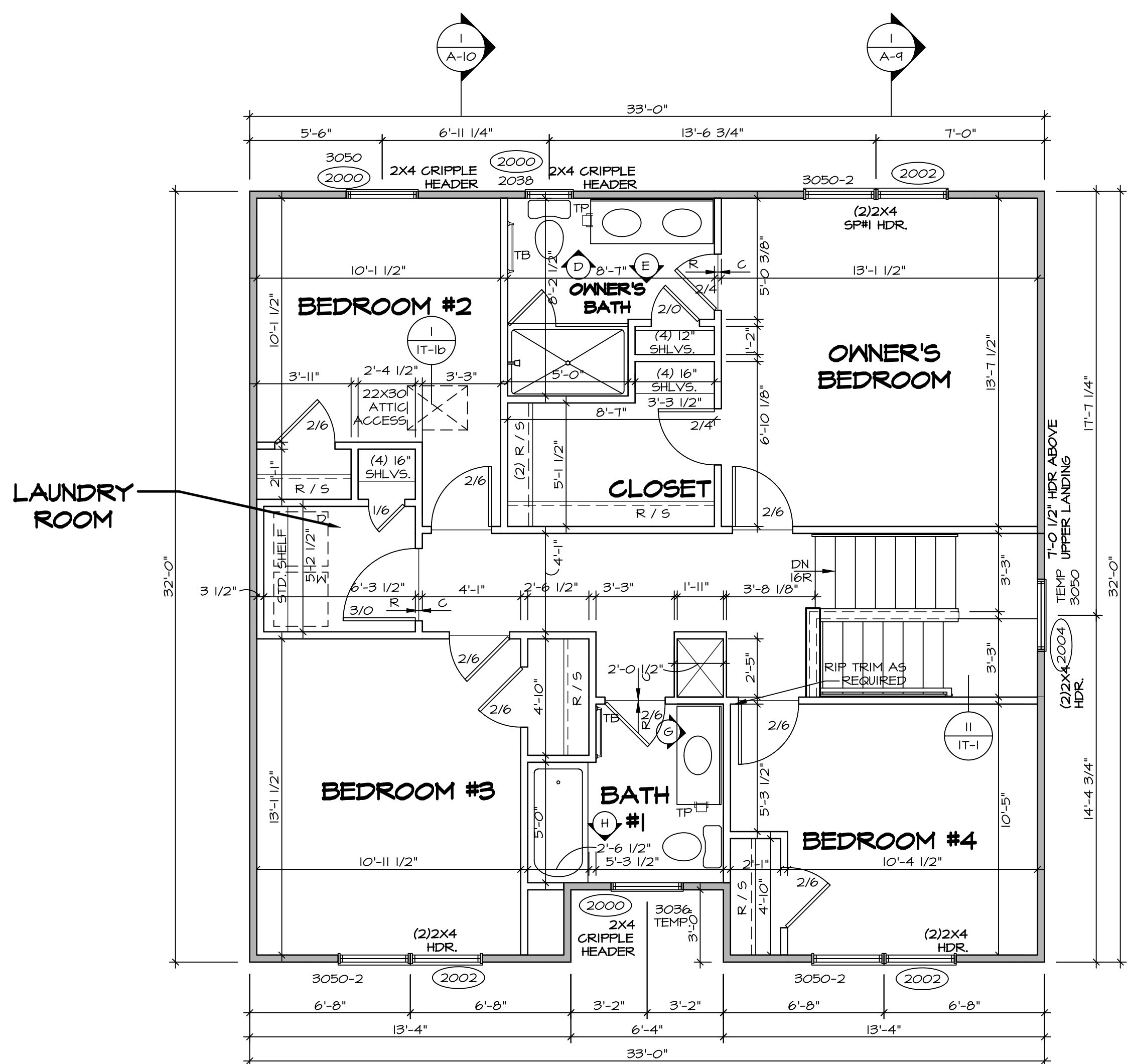
**LEGEND**

	BEARING WALL
	NON BEARING WALL
	INDICATES BEARING FROM POINT-LOAD ABOVE JACKS
	JACKS
	BEAM/HEADER
	PAD FOOTING
	STEEL COLUMN
	PORTAL FRAME
	JOIST/TRUSS
	LVL
	ENGINEERING PAGE NUMBER

SEE FC DETAILS FOR FRAMING CONNECTORS

- FLOOR PLAN NOTES** RYAN
- ALL HEADERS ARE (2) 2x6 w/ 2x4 WALLS OR (3) 2x6 w/ 2x6 WALLS, UNLESS OTHERWISE NOTED.
  - ALL HEADERS TO HAVE (1) 2x4 OR 2x6 JACK AND KING STUD EACH END UNLESS OTHERWISE NOTED.
  - ALL EXTERIOR WALLS TO BE 4" w/ OSB OR 3 1/2" w/ T-FLY, ALL INTERIOR WALLS TO BE 3 1/2", UNLESS OTHERWISE NOTED.
  - HATCHED AREAS INDICATE DROPPED CEILINGS. ALL DROPPED CEILINGS ARE 12" UNLESS OTHERWISE NOTED.
  - SEE "BRACED WALL PANEL DETAIL SHEET" FOR SPECIAL WALL FRAMING LOCATIONS AND HEADER SIZES, IF APPLICABLE.
  - SEE STANDARD DETAIL CATEGORY "IT" SHEET(S) FOR INTERIOR TRIM DETAILS.
  - SEE ARCHITECTURAL DETAIL SHEET "AD" FOR HOUSE SPECIFIC INTERIOR TRIM OPTION TABLE.
  - ALL WINDOWS HAVE 7'-0 1/2" HEADER HEIGHT UNLESS OTHERWISE NOTED.
  - ALL HEADERS IN NON-BEARING WALLS SHALL BE A SINGLE FLAT 2x4 OR 2x6 ATTACHED TO CRIPPLES ABOVE, UNLESS OTHERWISE NOTED.
  - TANKED WATER HEATER SHOWN AS BASE CONDITION, OPTIONAL TANKLESS WATER HEATER IS AVAILABLE IN LIEU OF TANKED WATER HEATER.

- GYPSUM NOTES**
- AT GARAGE:  
GYPSUM BOARD AT COMMON WALLS, CEILINGS, BEAM WRAPS AND SUPPORTS PER STANDARD DETAIL FA-1(b) FIRE ASSEMBLIES OR AS REQUIRED BY LOCAL CODE.
- AT STAIRS:  
1/2" GYPSUM BOARD AT UNDERSIDE OF STAIRS AND WALLS IN CLOSET



**1 SECOND FLOOR PLAN**  
A-B SCALE: 1/4" = 1'-0"

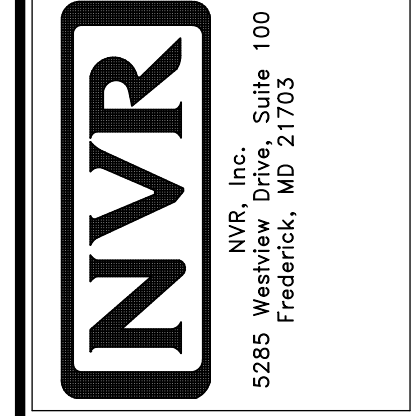
DIV-COMM-LOT-UNIT  
**DCY-CH-E943**

COM-Lot  
CARRIAGE TRAILS - E943

APT. NO.  
9562 ARROWWOOD STREET

CITY STATE ZIP  
TIPP CITY OH 45371

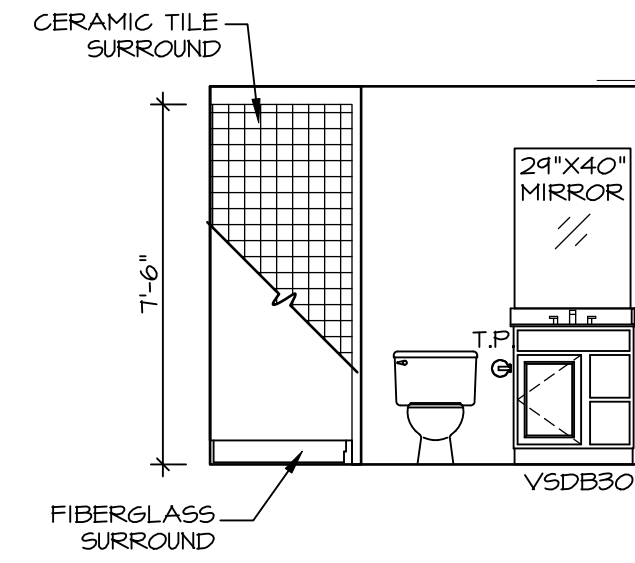
NVR, Inc., expressly reserves its copyright and other property rights in these plans. These plans are not to be reproduced, stored in a retrieval system, or transmitted in any form or by any means, electronic, mechanical, photocopying, recording, or otherwise, without the prior written consent of NVR, Inc.



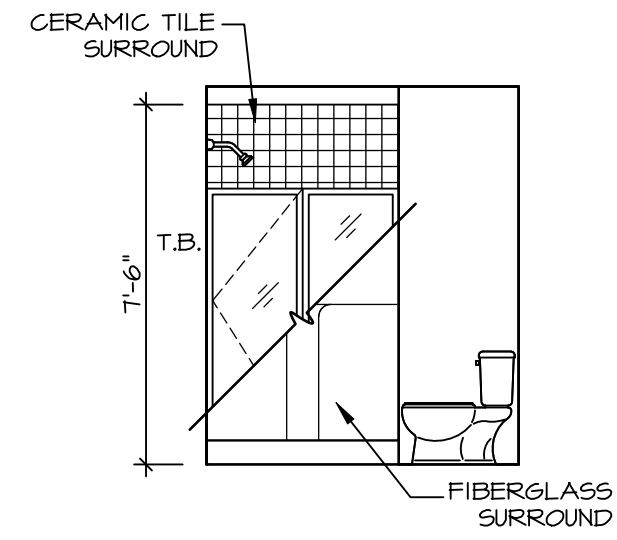
SET NO.	ALGOO
VERSION	01
RELEASE NO.	----
DRAWN BY	YON
DATE	08/10/2017
OPTION	

SHEET NO.	<b>A-8</b>
MODEL	<b>ALLEGHENY</b>
DRAWING TITLE	SECOND FLOOR PLAN
OPTION DESCRIPTION	
	13

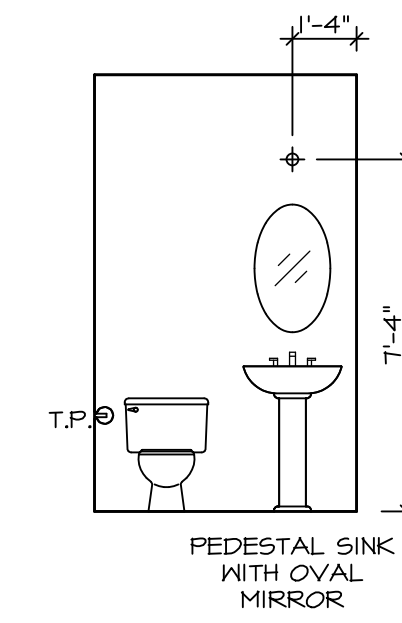




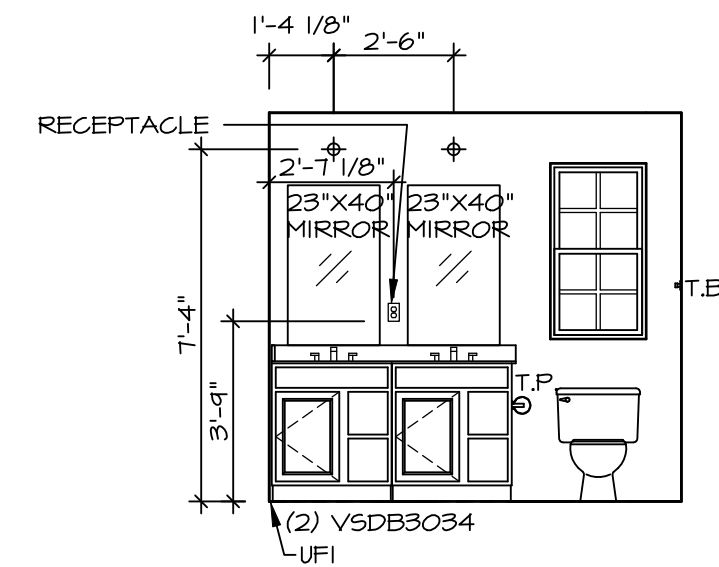
**A** **BASEMENT BATH**  
SCALE: 1/4" = 1'-0"



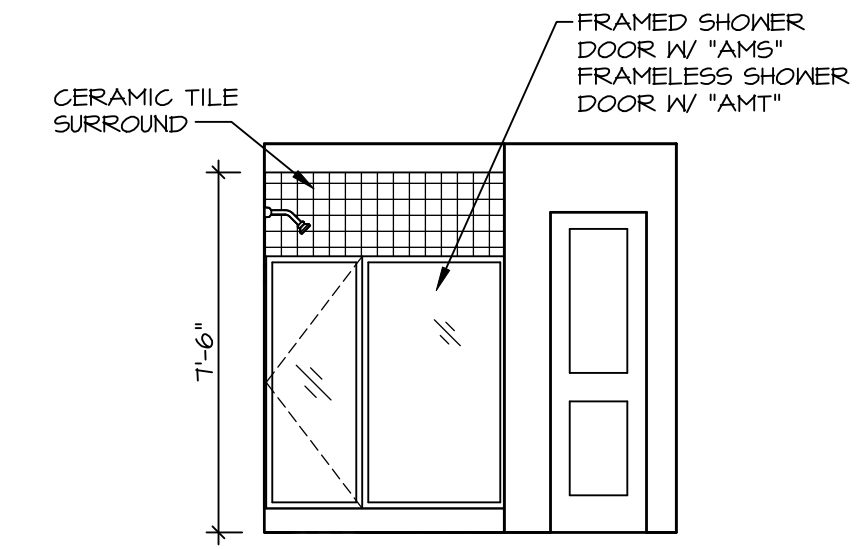
**B** **BASEMENT BATH**  
SCALE: 1/4" = 1'-0"



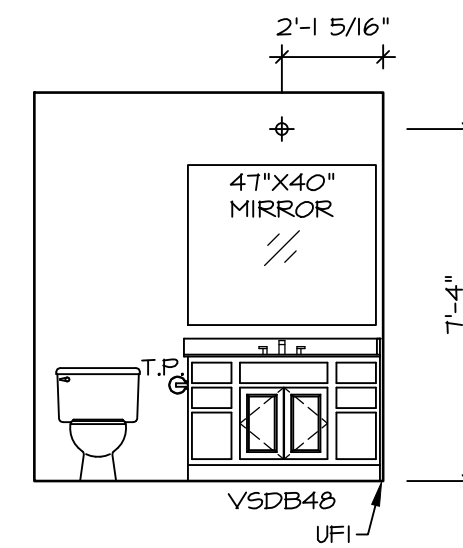
**C** **POWDER ROOM**  
SCALE: 1/4" = 1'-0"



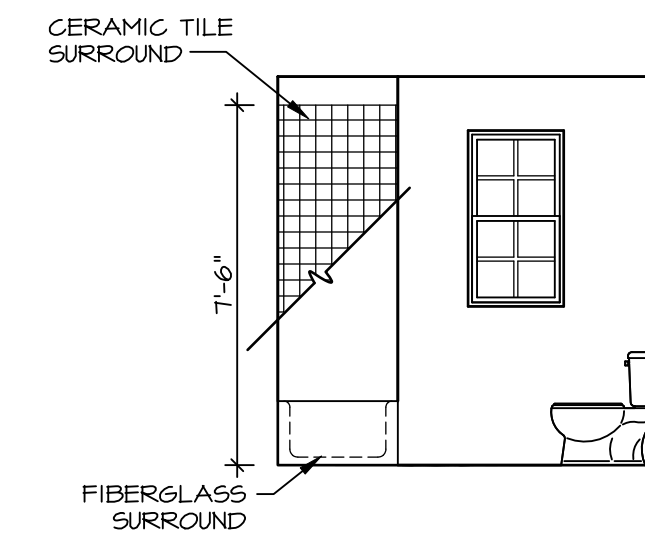
**D** **OWNER'S BATH**  
SCALE: 1/4" = 1'-0"



**E** **OWNER'S BATH**  
SCALE: 1/4" = 1'-0"



**G** **BATH #1**  
SCALE: 1/4" = 1'-0"



**H** **BATH #1**  
SCALE: 1/4" = 1'-0"

**NOTES:**

1. TEMPERED GLASS SHOWER ENCLOSURE WITH SWING DOOR OR OPTIONAL SLIDING DOOR BY DIVISION
2. TUB ACCESS PANELS PROVIDED AS NEEDED, ALL MATERIALS BY DIVISION
3. REFER TO SHEET IT-2 FOR TUB AND SHOWER DETAILS.
4. ALL VANITIES WITH DRAWERS TO BE SET WITH DRAWERS ON RIGHT HAND SIDE.
5. BATH ELEVATIONS ARE SHOWN PER PLAN.
6. ALL DIMENSIONS SHOWN ON BATH ELEVATIONS ARE ROUGH FRAMING REFERENCES ONLY.

SHEET NO. <b>A-13</b>	MODEL <b>ALLEGHENY</b>	SET NO. AL600	DIV-COMM-LOT-UNIT <b>DCY-CH-E943</b>
	DRAWING TITLE <b>BATH ELEVATIONS</b>	VERSION 01	
13	OPTION DESCRIPTION	DRAWN BY YON DATE: 4/8/17	STREET ADDRESS <b>9562 ARROWWOOD STREET</b>
		OPTION	CITY <b>TIPP CITY</b>
			STATE <b>OH</b>
			ZIP <b>45371</b>

**NVR**  
NVR, Inc., Suite 100  
Frederick, MD 21703  
5285 Westwood

© NVR, Inc., expressly reserves its copyright and other property rights in these plans. These plans are not to be reproduced, stored in a retrieval system, or transmitted in any form or by any means, electronic, mechanical, photocopying, recording, or otherwise, without the prior written consent of NVR, Inc.