

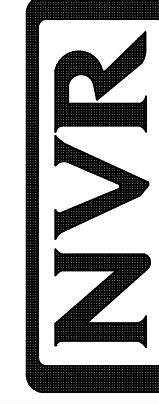
1 PLUMBING PLAN
 A-5 SCALE: 1/4" = 1'-0"

SHEET NO.
 A-5

48

MODEL PALERMO
 DRAWING TITLE PLUMBING PLAN
 OPTION DESCRIPTION

SET NO. PAL00
 VERSION 03
 DRAWN BY
 DATE:
 OPTION

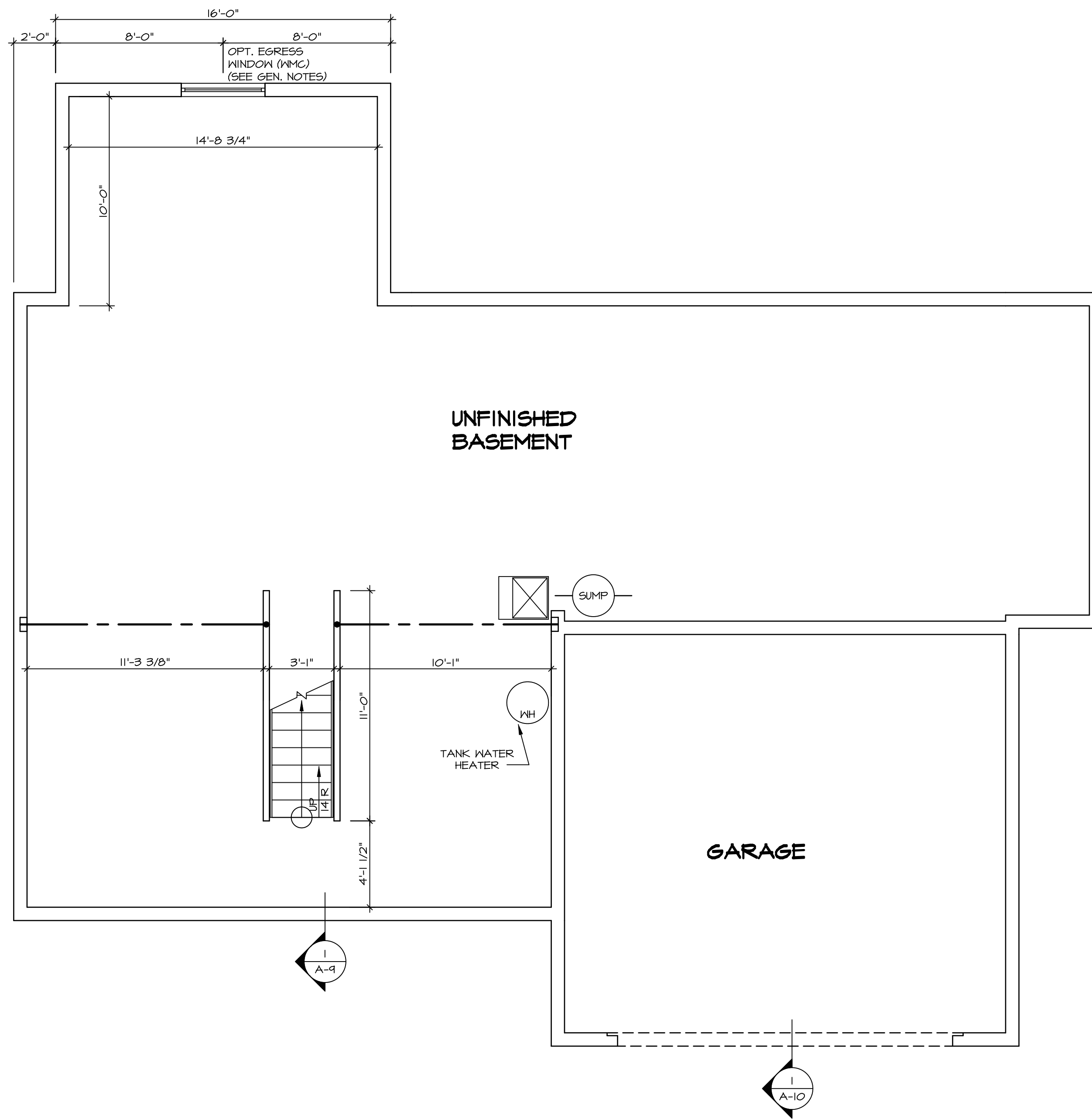


NVR, Inc. Suite 100
 5285 Washburne Rd.
 Frederick, MD 21703

© NVR, Inc. expressly reserves the right to modify, alter, or change these plans at any time without notice. No part of these plans may be reproduced, stored in a retrieval system, or transmitted in any form or by any means, electronic, mechanical, photocopying, recording, or by any information storage and retrieval system, without the prior written consent of NVR, Inc.

REV. NO. DATE

REMARKS



LEGEND

	BEARING WALL
	NON BEARING WALL
	INDICATES BEARING FROM POINT-LOAD ABOVE
	JACKS
	BEAM/HEADER
	PAD FOOTING
	STEEL COLUMN
	PORTAL FRAME
	JOIST/TRUSS
	LVL
	ENGINEERING PAGE NUMBER

SEE FC DETAILS FOR FRAMING CONNECTORS

- FLOOR PLAN NOTES**
1. ALL HEADERS ARE (2) 2x6 w/ 2x4 WALLS OR (3) 2x6 w/ 2x6 WALLS, UNLESS OTHERWISE NOTED.
 2. ALL HEADERS TO HAVE (1) 2x4 OR 2x6 JACK EACH END, UNLESS OTHERWISE NOTED.
 3. ALL EXTERIOR WALLS TO BE 4" AND ALL INTERIOR WALLS TO BE 3 1/2", UNLESS OTHERWISE NOTED.
 4. HATCHED AREAS INDICATE DROPPED CEILINGS. ALL DROPPED CEILINGS ARE 12" UNLESS OTHERWISE NOTED.
 5. SEE "BRACED WALL PANEL DETAIL SHEET" FOR SPECIAL WALL FRAMING LOCATIONS AND HEADER SIZES, IF APPLICABLE.
 6. SEE STANDARD DETAIL CATEGORY "IT" SHEET(S) FOR INTERIOR TRIM DETAILS.
 7. SEE ARCHITECTURAL DETAIL SHEET "AD" FOR HOUSE SPECIFIC INTERIOR TRIM OPTION TABLE.
 8. ALL WINDOWS HAVE 7'-0" 1/2" HEADER HEIGHT UNLESS OTHERWISE NOTED.
 4. ALL CASED OPENINGS AT 7'-11", UNLESS OTHERWISE NOTED.

GYPSUM NOTES

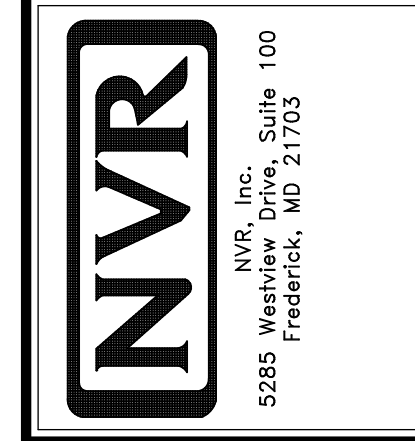
AT GARAGE:
GYPSUM BOARD AT COMMON WALLS, CEILINGS, BEAM WRAPS AND SUPPORTS PER STANDARD DETAIL FA-1(b) FIRE ASSEMBLIES OR AS REQUIRED BY LOCAL CODE.

AT STAIRS:
1/2" GYPSUM BOARD AT UNDERSIDE OF STAIRS AND WALLS IN CLOSET

BASEMENT FLOOR PLAN
SCALE: 1/4" = 1'-0"

SHEET NO. A-6	MODEL PALERMO	SET NO. PALOO	REVISIONS	REMARKS
	DRAWING TITLE BASEMENT FLOOR PLAN	VERSION 03	DATE	
OPTION DESCRIPTION	DRAWN BY	DATE		
51	OPTION			

© NVR, Inc. reserves the right to modify these plans without notice. These plans are not to be reproduced, changed or altered in any way without the written consent of NVR, Inc.



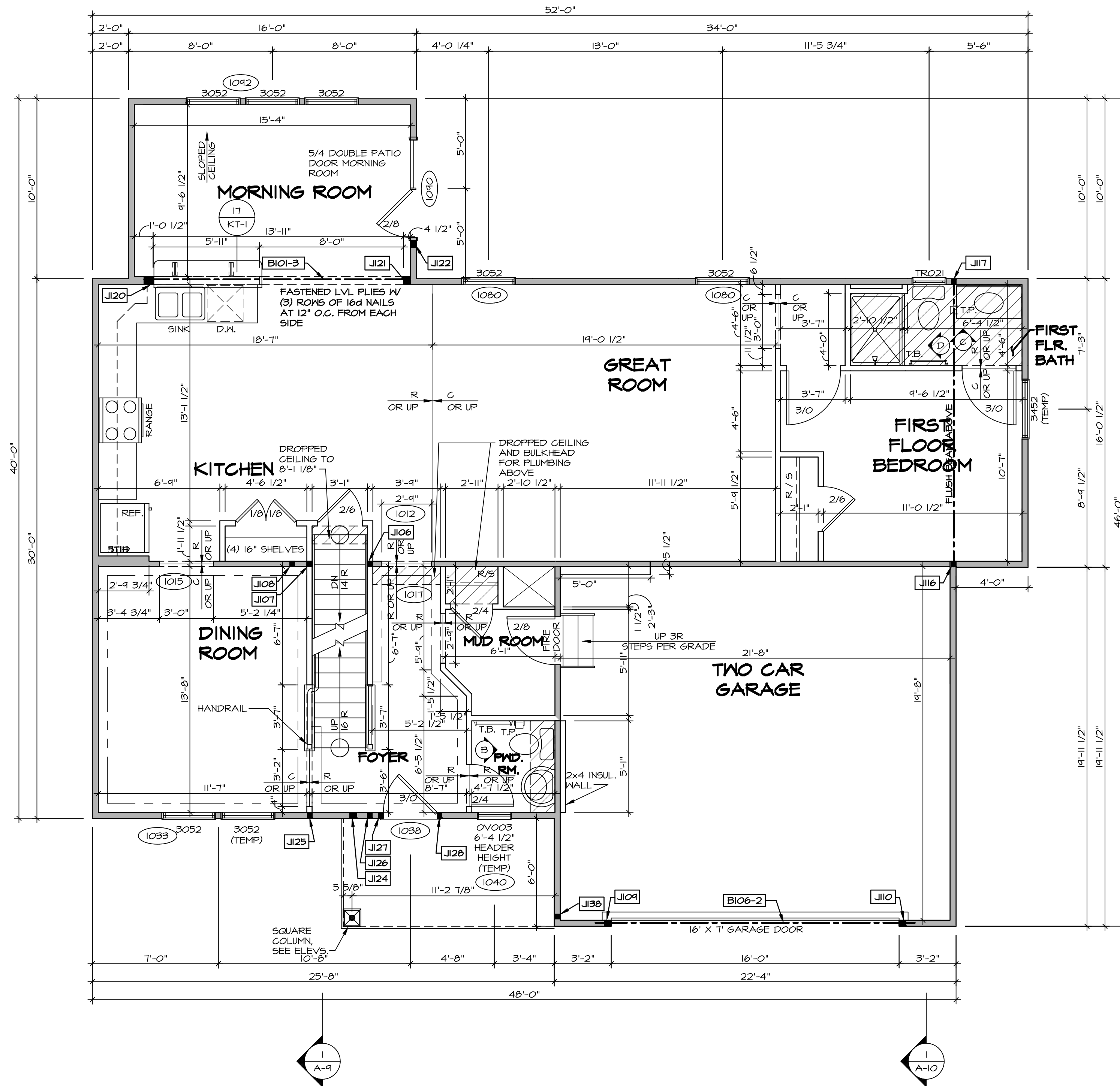
FIRST FLOOR JACK SCHEDULE				
IDENTIFIER	DESCRIPTION	OPTIONS	ENG. NUM.	REMARKS
J106	JACK - (2) 2X4 SPF STUD GRADE		1012	
J107	JACK - (2) 2X4 SPF STUD GRADE		1012	
J108	JACK - (2) 2X4 SPF STUD GRADE		1012	
J109	JACK - (3) 2X4 SPF STUD GRADE	GCB	1046	
J110	JACK - (3) 2X4 SPF STUD GRADE	GCB	1046	
J116	JACK - (2) 2X4 SPF STUD GRADE	BAR	1075, 1078	
J117	JACK - (2) 2X4 SPF STUD GRADE	BAR	1075, 1078	
J120	JACK - (4) 2X6 SPF STUD GRADE	MAA	1014	
J121	JACK - (3) 2X6 SPF STUD GRADE	MAA	1014	FIELD INSTALLED
J122	JACK - (3) 2X4 SPF STUD GRADE	SRN	1040	
J124	JACK - (3) 2X4 SPF STUD GRADE	ELG	1021	
J125	JACK - (2) 2X4 SPF STUD GRADE	ELG	1009	
J126	JACK - (2) 2X4 SPF STUD GRADE	ELG	1009	
J127	JACK - (2) 2X4 SPF STUD GRADE	ELG	1038	
J128	JACK - (2) 2X4 SPF STUD GRADE	ELG	1038	
J138	JACK - (2) 2X4 SPF STUD GRADE	ELG	1021	

LVL PLY TO PLY FASTENING SCHEDULE:

1.A - (2) FLY UP TO AND INCLUDING 1 7/8" TALL; FASTEN FLIES W/ (2) ROWS 16D NAILS AT 12" O.C.
 2.A - (2) FLY 14" TO AND INCLUDING 18" TALL (INCLUSIVE); FASTEN FLIES W/ (3) ROWS 16D NAILS AT 12" O.C.
 3.A - (2) FLY 20" TALL AND OVER; FASTEN FLIES W/ (4) ROWS 16D NAILS AT 12" O.C.
 4.A - (3) FLY UP TO AND INCLUDING 1 7/8" TALL; FASTEN FLIES W/ (2) ROWS 16D NAILS AT 12" O.C. FROM EACH SIDE
 5.A - (3) FLY 14" TO AND INCLUDING 18" TALL (INCLUSIVE); FASTEN FLIES W/ (3) ROWS 16D NAILS AT 12" O.C. FROM EACH SIDE
 6.A - (3) FLY 20" TALL AND OVER; FASTEN FLIES W/ (4) ROWS 16D NAILS AT 12" O.C. FROM EACH SIDE

FIRST FLOOR BEAM/HEADER SCHEDULE					
IDENTIFIER	DESCRIPTION	LENGTH	OPTIONS	ENG. NUM.	REMARKS
B101-3	LVL - 16	14'-4 1/2"	MAA	1014	5.A, FIELD INSTALL
B106-2	LVL - 16	17'-4"	ZSU	1044	2.A, FIELD INSTALL

STEEL COLUMN SCHEDULE					
IDENTIFIER	STYLE	HEIGHT	OPTIONS	ENG. NUM.	REMARKS
SC01	SC16	10'-0"	MAA	1014	FIELD INSTALL
SC02	SC16	10'-0"	MAA	1014	FIELD INSTALL
SC03	SC16	10'-0"	MAA	1014	FIELD INSTALL
SC04	SC16	10'-0"	MAA	1014	FIELD INSTALL
SC05	SC16	10'-0"	MAA	1014	FIELD INSTALL
SC06	SC16	10'-0"	MAA	1014	FIELD INSTALL
SC07	SC16	10'-0"	MAA	1014	FIELD INSTALL
SC08	SC16	10'-0"	MAA	1014	FIELD INSTALL
SC09	SC16	10'-0"	MAA	1014	FIELD INSTALL
SC10	SC16	10'-0"	MAA	1014	FIELD INSTALL
SC11	SC16	10'-0"	MAA	1014	FIELD INSTALL
SC12	SC16	10'-0"	MAA	1014	FIELD INSTALL
SC13	SC16	10'-0"	MAA	1014	FIELD INSTALL
SC14	SC16	10'-0"	MAA	1014	FIELD INSTALL
SC15	SC16	10'-0"	MAA	1014	FIELD INSTALL
SC16	SC16	10'-0"	MAA	1014	FIELD INSTALL
SC17	SC16	10'-0"	MAA	1014	FIELD INSTALL
SC18	SC16	10'-0"	MAA	1014	FIELD INSTALL
SC19	SC16	10'-0"	MAA	1014	FIELD INSTALL
SC20	SC16	10'-0"	MAA	1014	FIELD INSTALL
SC21	SC16	10'-0"	MAA	1014	FIELD INSTALL
SC22	SC16	10'-0"	MAA	1014	FIELD INSTALL
SC23	SC16	10'-0"	MAA	1014	FIELD INSTALL
SC24	SC16	10'-0"	MAA	1014	FIELD INSTALL
SC25	SC16	10'-0"	MAA	1014	FIELD INSTALL
SC26	SC16	10'-0"	MAA	1014	FIELD INSTALL
SC27	SC16	10'-0"	MAA	1014	FIELD INSTALL
SC28	SC16	10'-0"	MAA	1014	FIELD INSTALL
SC29	SC16	10'-0"	MAA	1014	FIELD INSTALL
SC30	SC16	10'-0"	MAA	1014	FIELD INSTALL



FIRST FLOOR PLAN
SCALE: 1/4" = 1'-0"

LEGEND

- BEARING WALL
- NON BEARING WALL
- INDICATES BEARING FROM POINT-LOAD ABOVE
- JACKS
- BEAM/HEADER
- PAD FOOTING
- STEEL COLUMN
- PORTAL FRAME
- JOIST/TRUSS
- LVL
- ENGINEERING PAGE NUMBER

SEE FC DETAILS FOR FRAMING CONNECTORS

- FLOOR PLAN NOTES**
- ALL HEADERS ARE (2) 2x6 W/ 2x4 WALLS OR (3) 2x6 W/ 2x6 WALLS, UNLESS OTHERWISE NOTED.
 - ALL HEADERS TO HAVE (1) 2x4 OR 2x6 JACK AND KING STUD EACH END, UNLESS OTHERWISE NOTED.
 - ALL EXTERIOR WALLS TO BE 4" W/ OSB OR 3 1/2" W/ T-PLY, ALL INTERIOR WALLS TO BE 3 1/2", UNLESS OTHERWISE NOTED.
 - HATCHED AREAS INDICATE DROPPED CEILINGS. ALL DROPPED CEILINGS ARE 12" UNLESS OTHERWISE NOTED.
 - SEE "BRACED WALL PANEL DETAIL SHEET" FOR SPECIAL WALL FRAMING LOCATIONS AND HEADER SIZES, IF APPLICABLE.
 - SEE STANDARD DETAIL CATEGORY "I1" SHEET(S) FOR INTERIOR TRIM DETAILS.
 - SEE ARCHITECTURAL DETAIL SHEET "AD" FOR HOUSE SPECIFIC INTERIOR TRIM OPTION TABLE.
 - ALL WINDOWS HAVE 7'-0 1/2" HEADER HEIGHT UNLESS OTHERWISE NOTED.
 - ALL HEADERS IN NON-BEARING WALLS SHALL BE A SINGLE FLAT 2X4 OR 2X6 ATTACHED TO GRIPPLES ABOVE, UNLESS OTHERWISE NOTED.

- GYPSUM NOTES**
- AT GARAGE:
GYPSUM BOARD AT COMMON WALLS, CEILINGS, BEAM WRAPS AND SUPPORTS PER STANDARD DETAIL FA-1(B) FIRE ASSEMBLIES OR AS REQUIRED BY LOCAL CODE.
- AT STAIRS:
1/2" GYPSUM BOARD AT UNDERSIDE OF STAIRS AND WALLS IN CLOSET

REVISIONS

REV. NO.	DATE	DESCRIPTION
1	08/06/18	TH - DRAWING ALIGNMENT
2	07/12/19	SL - T-PLY CONVERSION PROJECT

© NVR, Inc. All rights reserved. No part of this document may be reproduced, stored in a retrieval system, or transmitted, in any form or by any means, without the prior written permission of NVR, Inc.

NVR
NVR, Inc. Suite 100
Fredericks, MD 21703

5285 Washington Blvd.
Fredericks, MD 21703

SET NO. PALOO
VERSION 03
DRAWN BY
DATE:
OPTION

PALERMO
DRAWING TITLE
FIRST FLOOR PLAN
OPTION DESCRIPTION

A-7

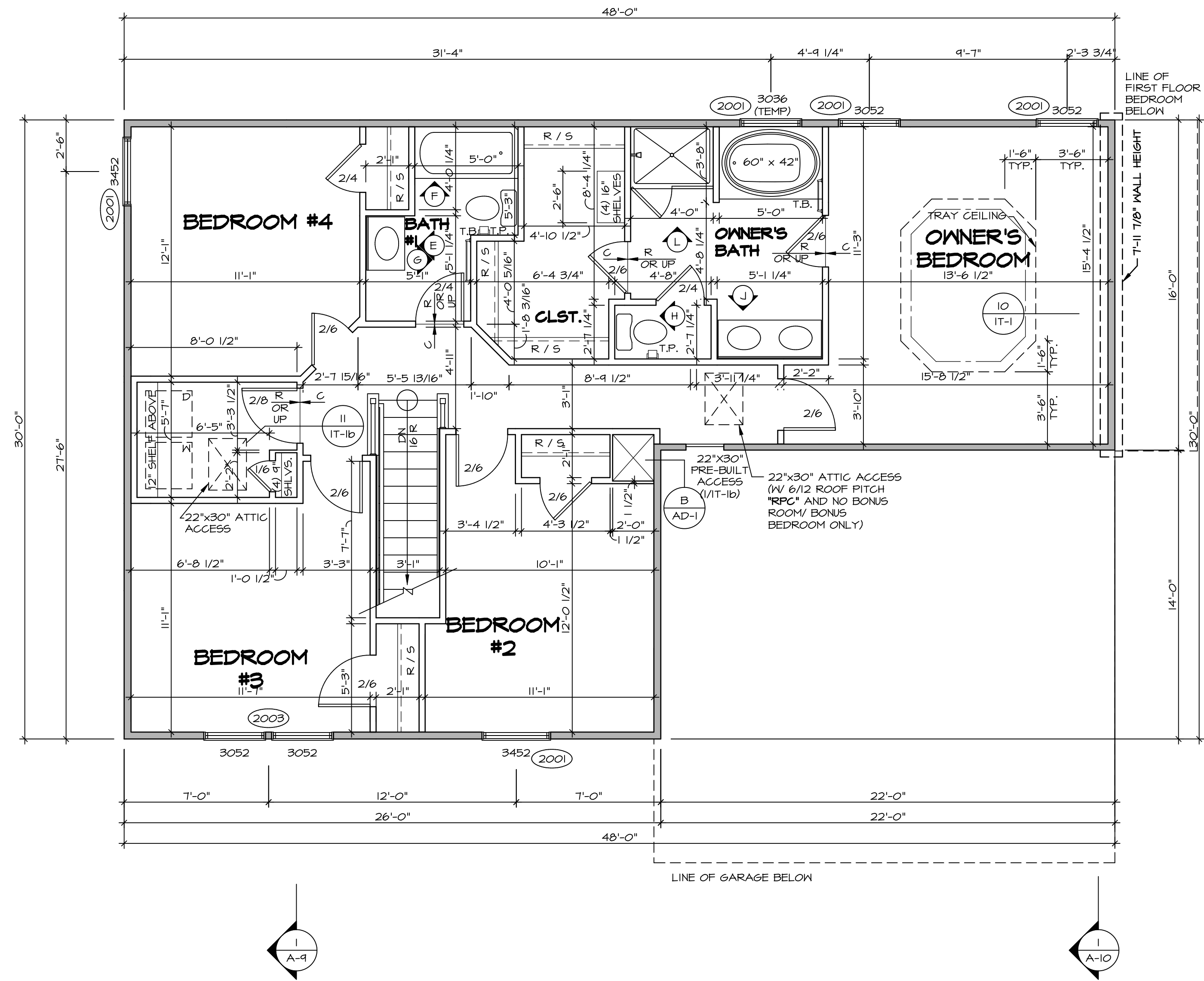
53

C:\NVR\Solves\PALERMO-PALOO-03\DC-CF-WZ03-13108661-Sheets\Lot_Specific\53-A-7-PLAN1-LS.dwg 07/17/19 - 5:44 am

SECOND FLOOR JACK SCHEDULE				
IDENTIFIER	DESCRIPTION	OPTIONS	ENG. NUM.	REMARKS

LEGEND	
	BEARING WALL
	NON BEARING WALL
	INDICATES BEARING FROM POINT-LOAD ABOVE
	JACKS
	BEAM/HEADER
	PAD FOOTING
	STEEL COLUMN
	PORTAL FRAME
	JOIST/TRUSS
	LVL
	ENGINEERING PAGE NUMBER

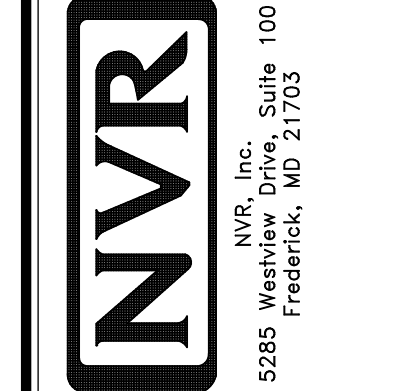
- FLOOR PLAN NOTES**
- ALL HEADERS ARE (2) 2x6 w/ 2x4 WALLS OR (3) 2x6 w/ 2x6 WALLS, UNLESS OTHERWISE NOTED.
 - ALL HEADERS TO HAVE (1) 2x4 OR 2x6 JACK AND KING STUD EACH END, UNLESS OTHERWISE NOTED.
 - ALL EXTERIOR WALLS TO BE 4" w/ OSB OR 3 1/2" w/ T-PLY, ALL INTERIOR WALLS TO BE 3 1/2", UNLESS OTHERWISE NOTED.
 - HATCHED AREAS INDICATE DROPPED CEILING. ALL DROPPED CEILING ARE 12" UNLESS OTHERWISE NOTED.
 - SEE "BRACED WALL PANEL DETAIL SHEET" FOR SPECIAL WALL FRAMING LOCATIONS AND HEADER SIZES, IF APPLICABLE.
 - SEE STANDARD DETAIL CATEGORY "IT" SHEET(S) FOR INTERIOR TRIM DETAILS.
 - SEE ARCHITECTURAL DETAIL SHEET "AD" FOR HOUSE SPECIFIC INTERIOR TRIM OPTION TABLE.
 - ALL WINDOWS HAVE 7'-0 1/2" HEADER HEIGHT UNLESS OTHERWISE NOTED.
 - ALL HEADERS IN NON-BEARING WALLS SHALL BE A SINGLE FLAT 2x4 OR 2x6 ATTACHED TO GRIFFLES ABOVE, UNLESS OTHERWISE NOTED.



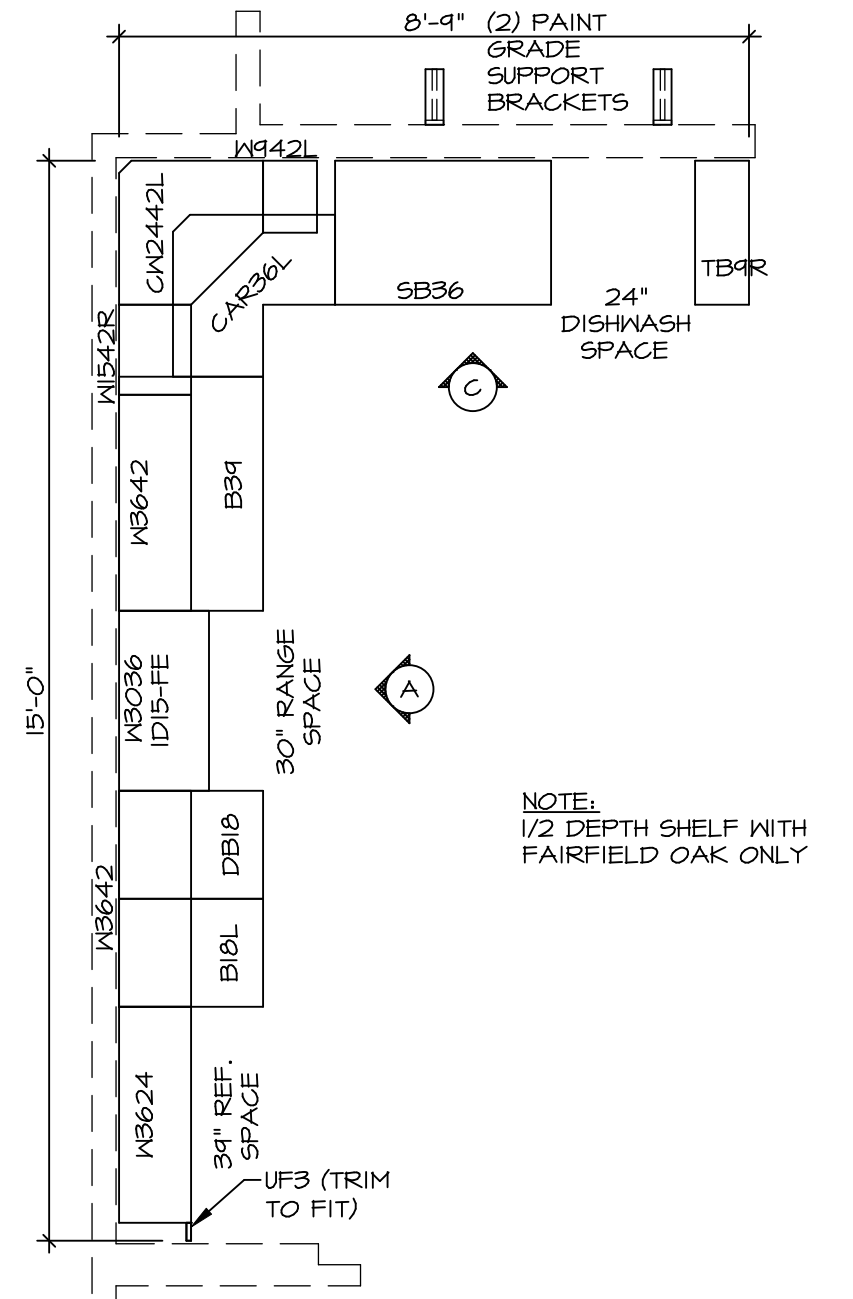
SECOND FLOOR PLAN
SCALE: 1/4" = 1'-0"

REV. NO.	DATE	REMARKS
1	08/04/18	TH - DRAWING ALIGNMENT
2	07/17/19	SLS - T-PLY CONVERSION PROJECT

© NVR, Inc. expressly reserves the right to modify or amend these plans at any time without notice. These plans are not to be reproduced, changed or copied in any way without the written consent of NVR, Inc.



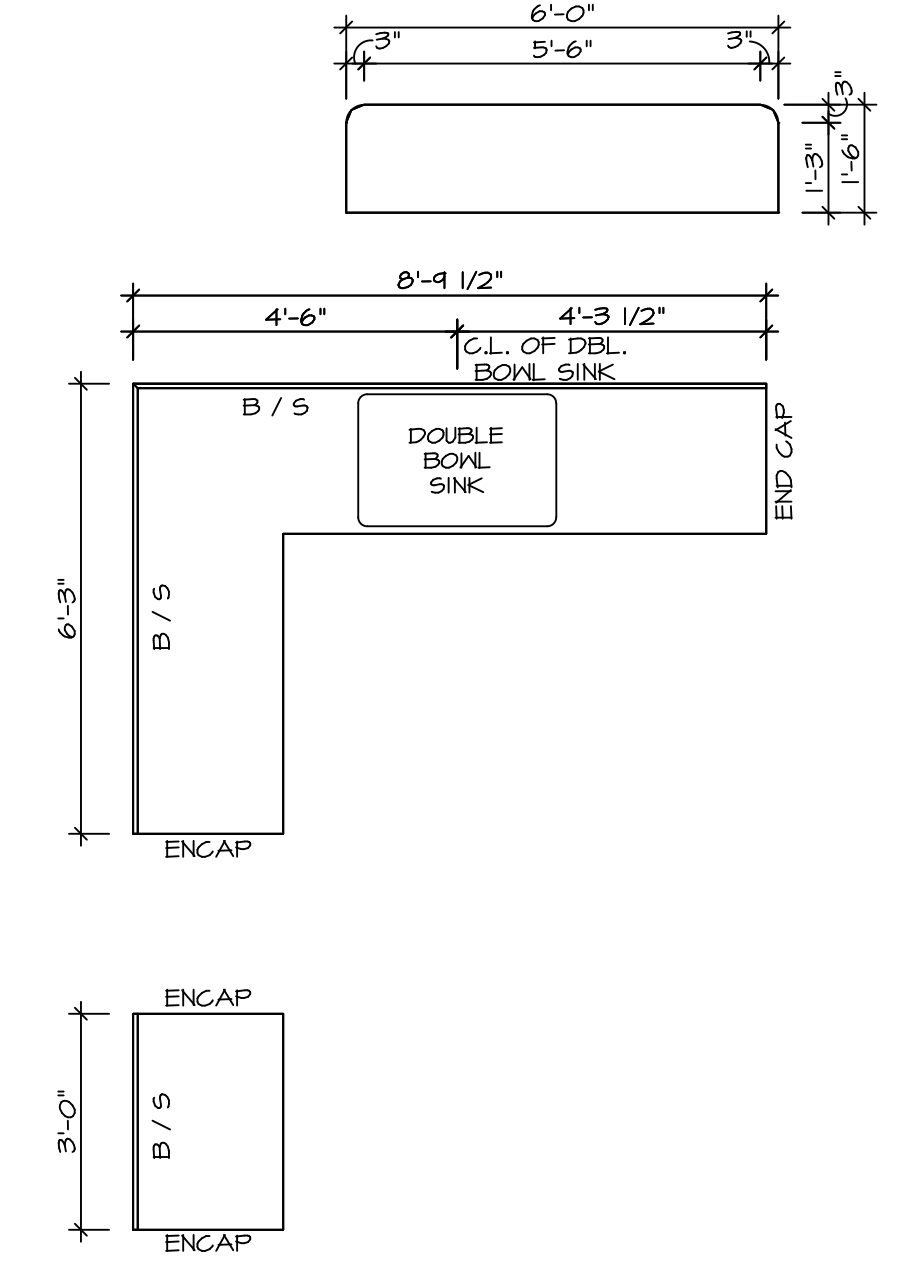
SHEET NO.	A-8	60
MODEL	PALERMO	
VERSION	03	
DRAWN BY		
DATE:		
OPTION		
SET NO. PALOO		
DRAWING TITLE	SECOND FLOOR PLAN	
OPTION DESCRIPTION		



**KITCHEN CABINET
PLAN-KC-2862**

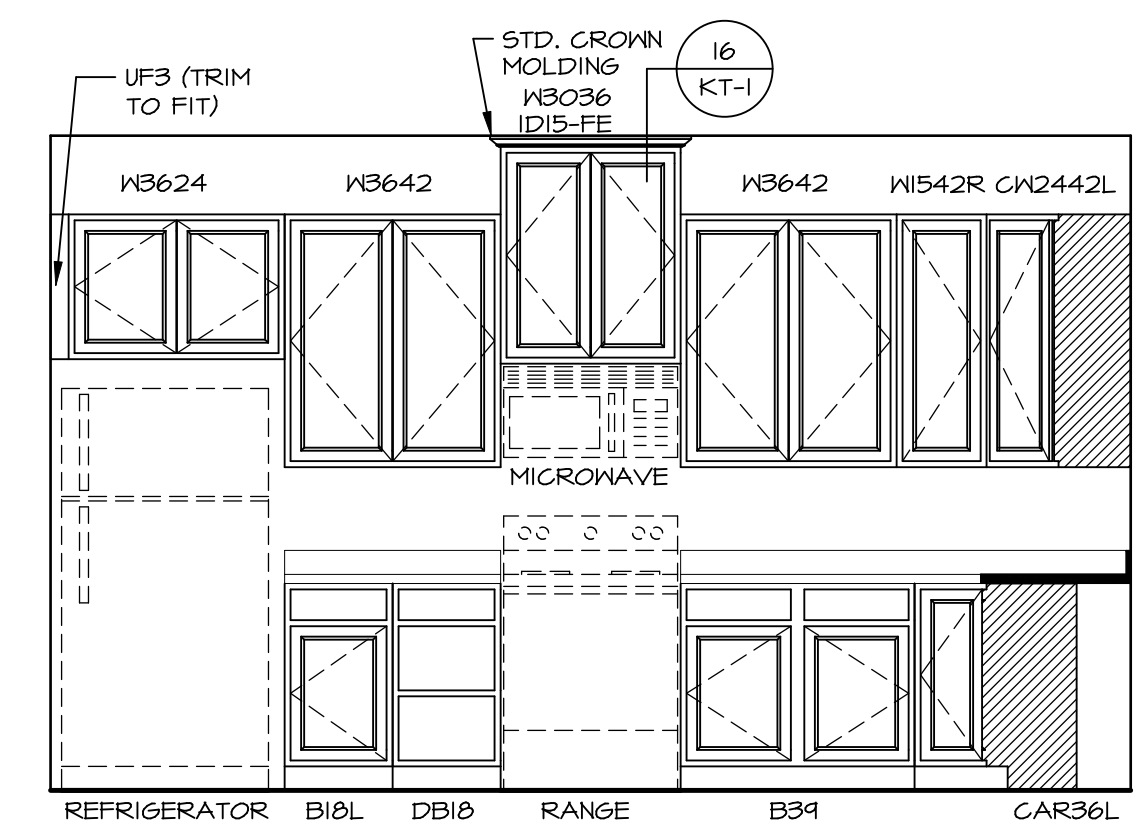
3
A-12 SCALE: 3/8" = 1'-0" STANDARD KITCHEN MORNING ROOM

NOTE:
1/2" DEPTH SHELF WITH
FAIRFIELD OAK ONLY

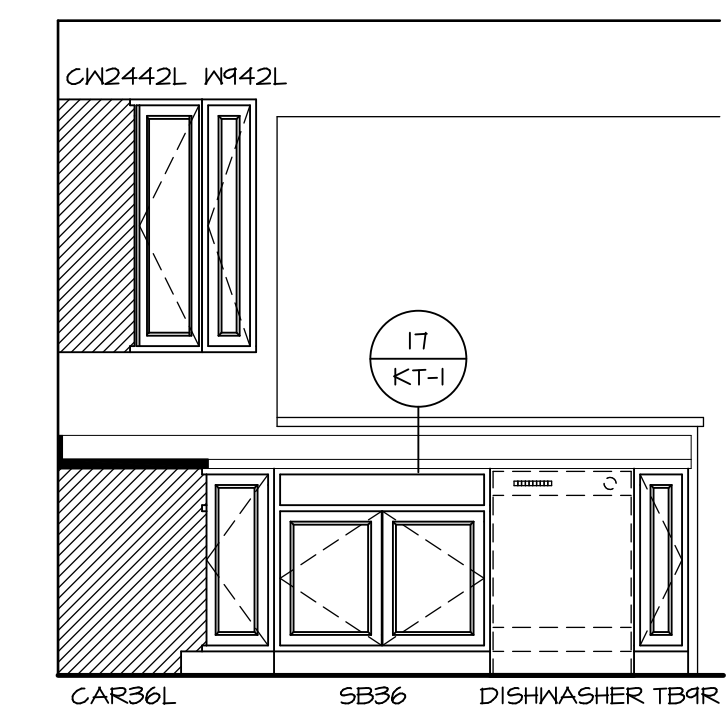


**KITCHEN COUNTERTOP
PLAN-KT-2862**

4
A-12 SCALE: 3/8" = 1'-0" STANDARD KITCHEN MORNING ROOM



A KITCHEN ELEVATION
SCALE: 3/8" = 1'-0"



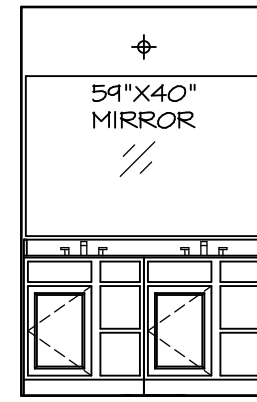
C KITCHEN ELEVATION
SCALE: 3/8" = 1'-0"

SHEET NO. A-12	MODEL PALERMO	SET NO. PALOO VERSION 03
OPTION DESCRIPTION 70	DRAWING TITLE	DRAWN BY
	DATE:	DATE:
	OPTION	OPTION

NVR
NVR, Inc. Suite 100
5285 Westpark Drive
Frederick, MD 21703

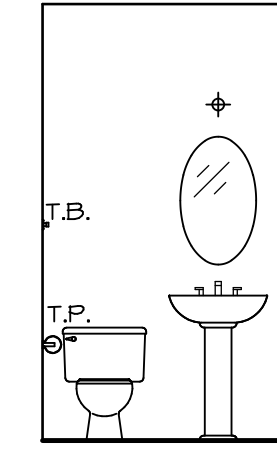
© NVR, Inc. expressly reserves the right to modify or amend these plans at any time without notice. These plans are not to be reproduced, changed or altered in any way without the written consent of NVR, Inc.

REV. NO.	DATE	REMARKS



(2) VSDB3034H

J OWNER'S BATH
SCALE: 1/4" = 1'-0"

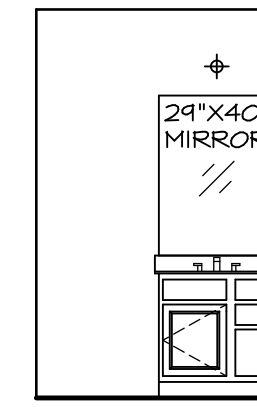


PEDESTAL SINK
WITH OVAL
MIRROR

B POWDER ROOM
SCALE: 1/4" = 1'-0"

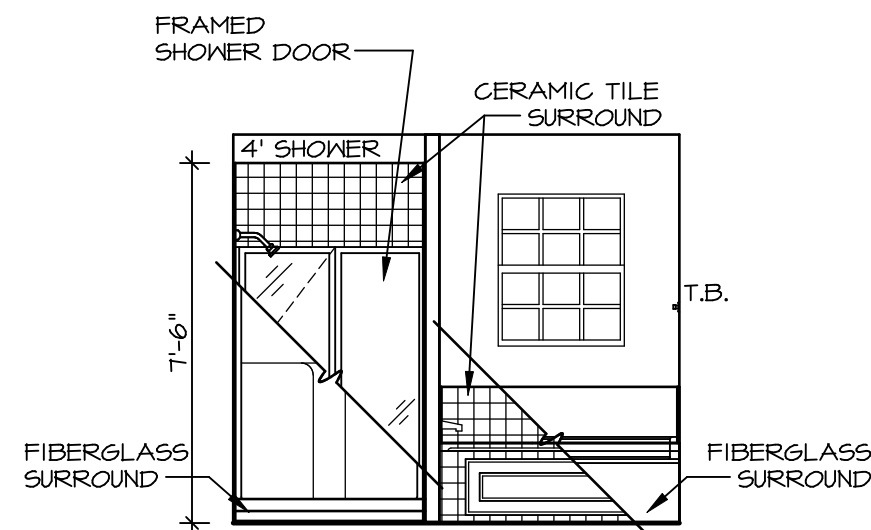


H OWNER'S BATH
SCALE: 1/4" = 1'-0"

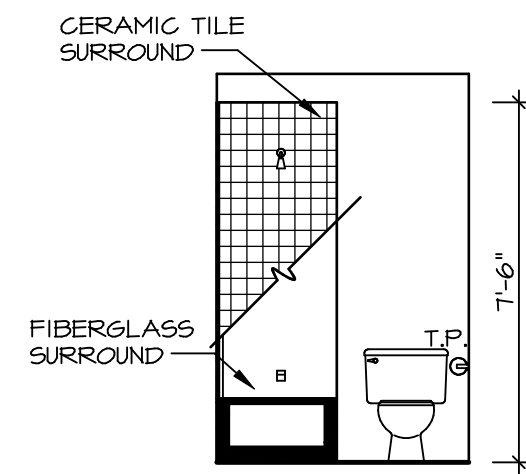


VSDB30

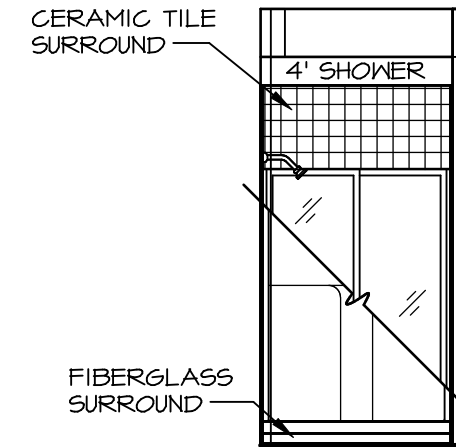
E BATH #1
SCALE: 1/4" = 1'-0"



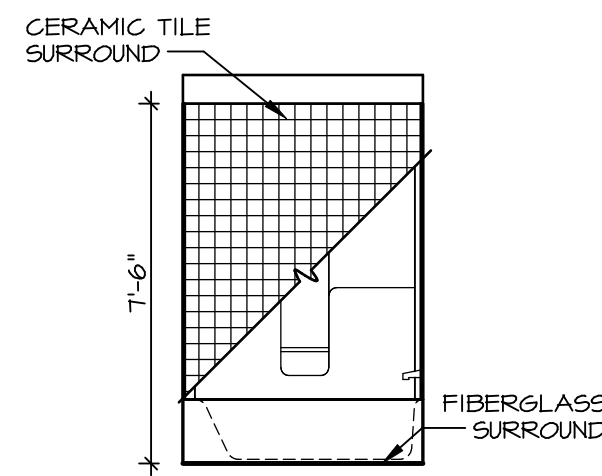
L OWNER'S BATH
SCALE: 1/4" = 1'-0"



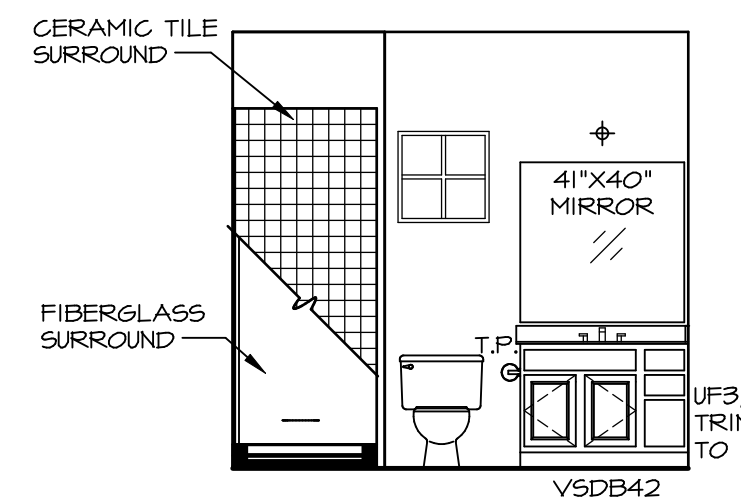
G BATH #1
SCALE: 1/4" = 1'-0"



D FIRST FLOOR BATH
SCALE: 1/4" = 1'-0"



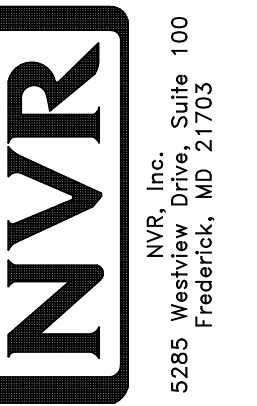
F BATH #1
SCALE: 1/4" = 1'-0"



C FIRST FLOOR BATH
SCALE: 1/4" = 1'-0"

NOTES:

1. TEMPERED GLASS SHOWER ENCLOSURE WITH SWING DOOR OR OPTIONAL SLIDING DOOR BY DIVISION
2. TUB ACCESS PANELS PROVIDED AS NEEDED, ALL MATERIALS BY DIVISION
3. REFER TO SHEET IT-2 FOR TUB AND SHOWER DETAILS.
4. ALL VSDB24-42 DRAWERS TO BE SET ON RIGHT HAND.
5. BATH ELEVATIONS ARE SHOWN PER PLAN.



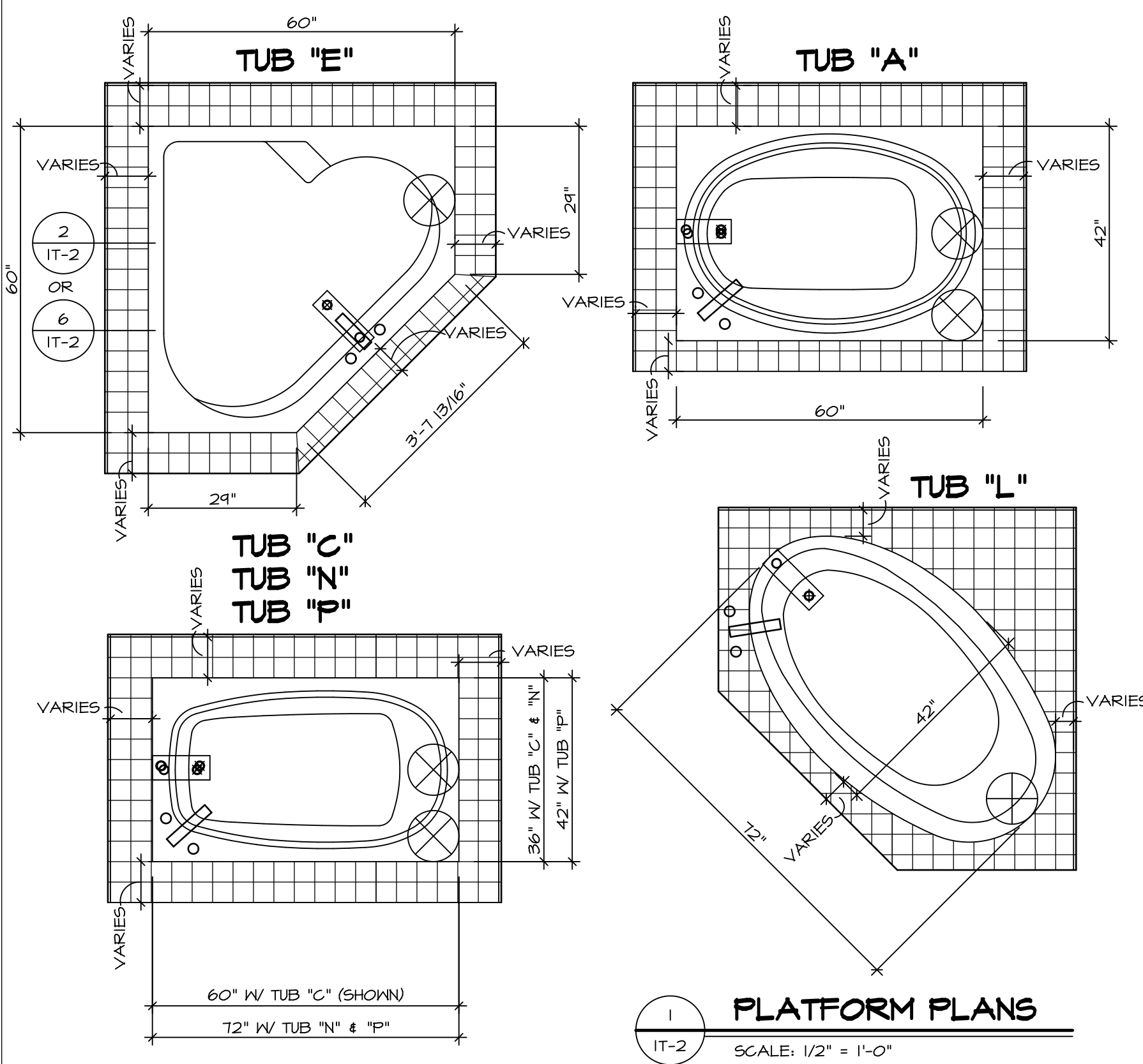
© NVR, Inc. expressly reserves the right to modify or change these plans without notice. These plans are not to be reproduced, changed or altered in any way without the written consent of NVR, Inc.

REMARKS

DATE

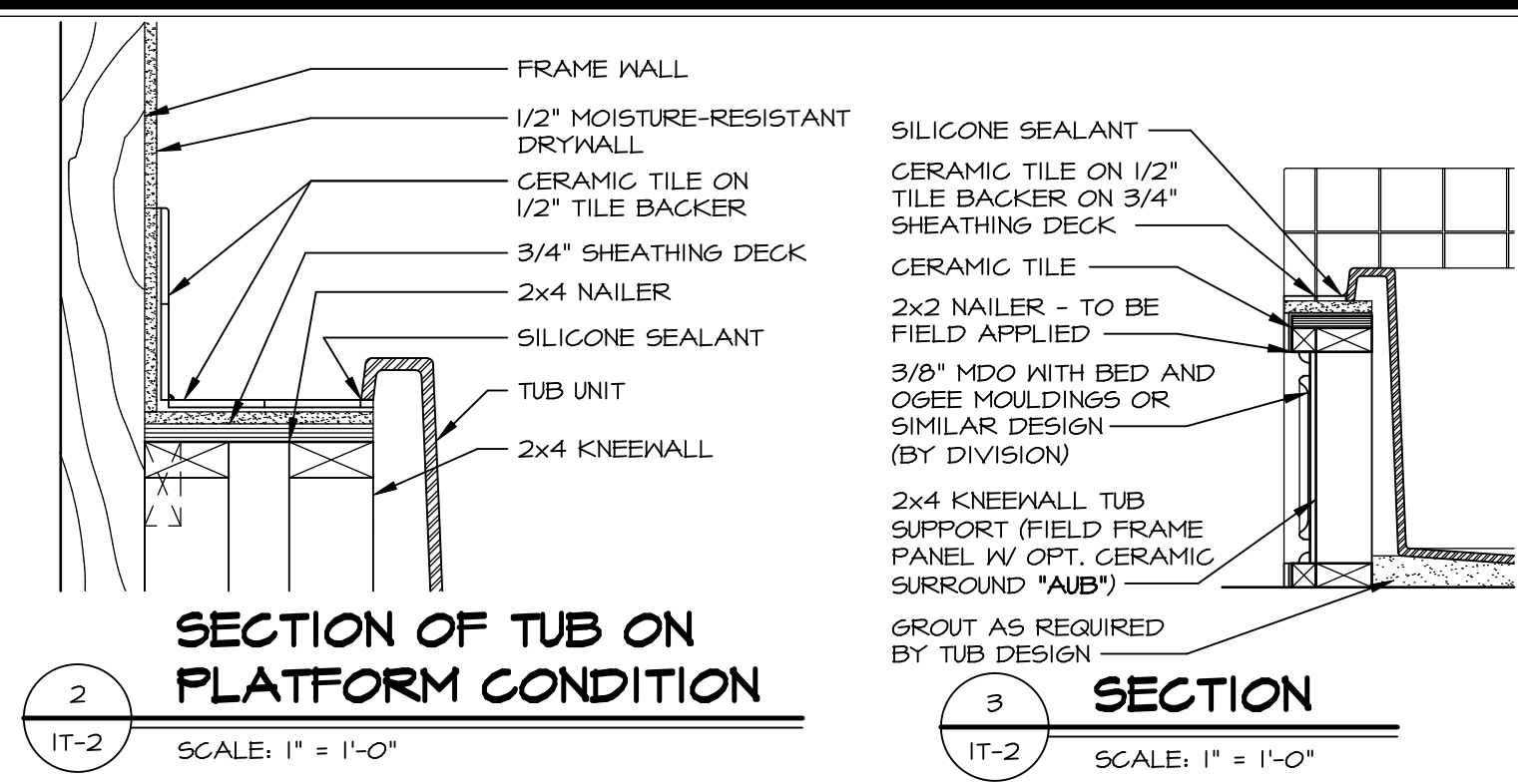
REV. NO. 1

08/04/16 TM - DRAWING ALIGNMENT

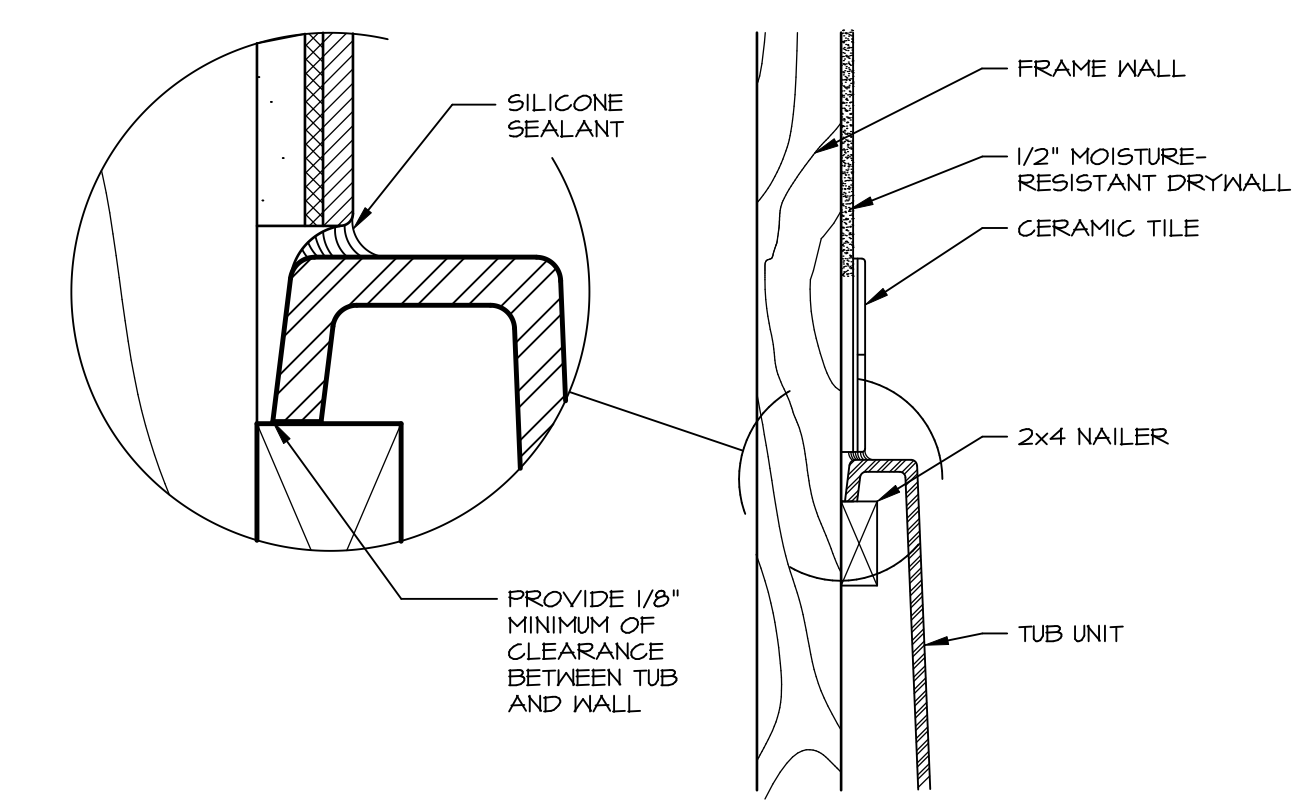


1 PLATFORM PLANS
SCALE: 1/2" = 1'-0"

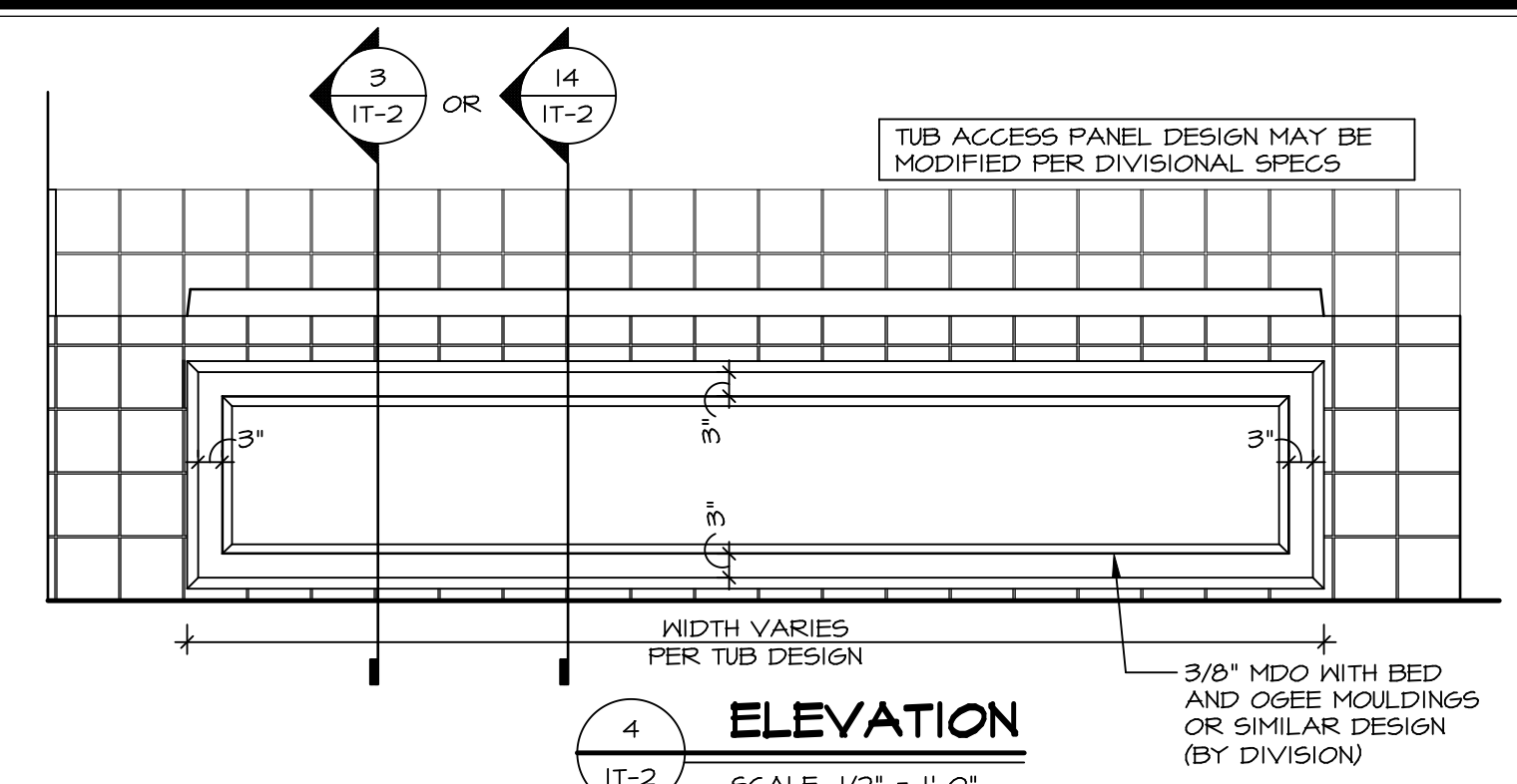
TUB	MANUF.	HEIGHT	WIDTH	LENGTH	TUB DECK PANEL HEIGHT
"A"	KOHLER/STERLING	18 3/4"	42"	60"	17 1/8"
"C"	KOHLER/STERLING	18 3/4"	36"	60"	17 1/8"
"E"	KOHLER/STERLING	19 1/2"	60"	60"	17 7/8"
"L"	KOHLER/STERLING	18 1/2"	42"	72"	16 7/8"
"N"	KOHLER/STERLING	18 3/4"	36"	72"	17 1/8"
"P"	KOHLER/STERLING	18 3/4"	42"	72"	17 1/8"



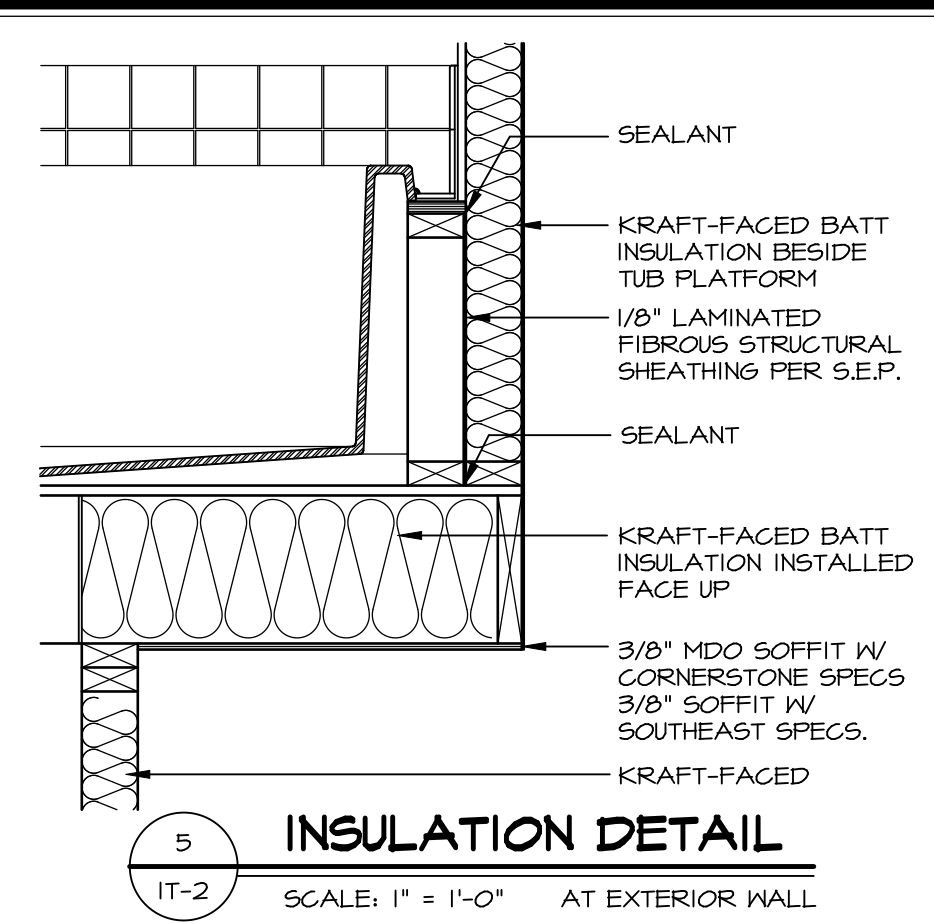
2 SECTION OF TUB ON PLATFORM CONDITION
SCALE: 1" = 1'-0"



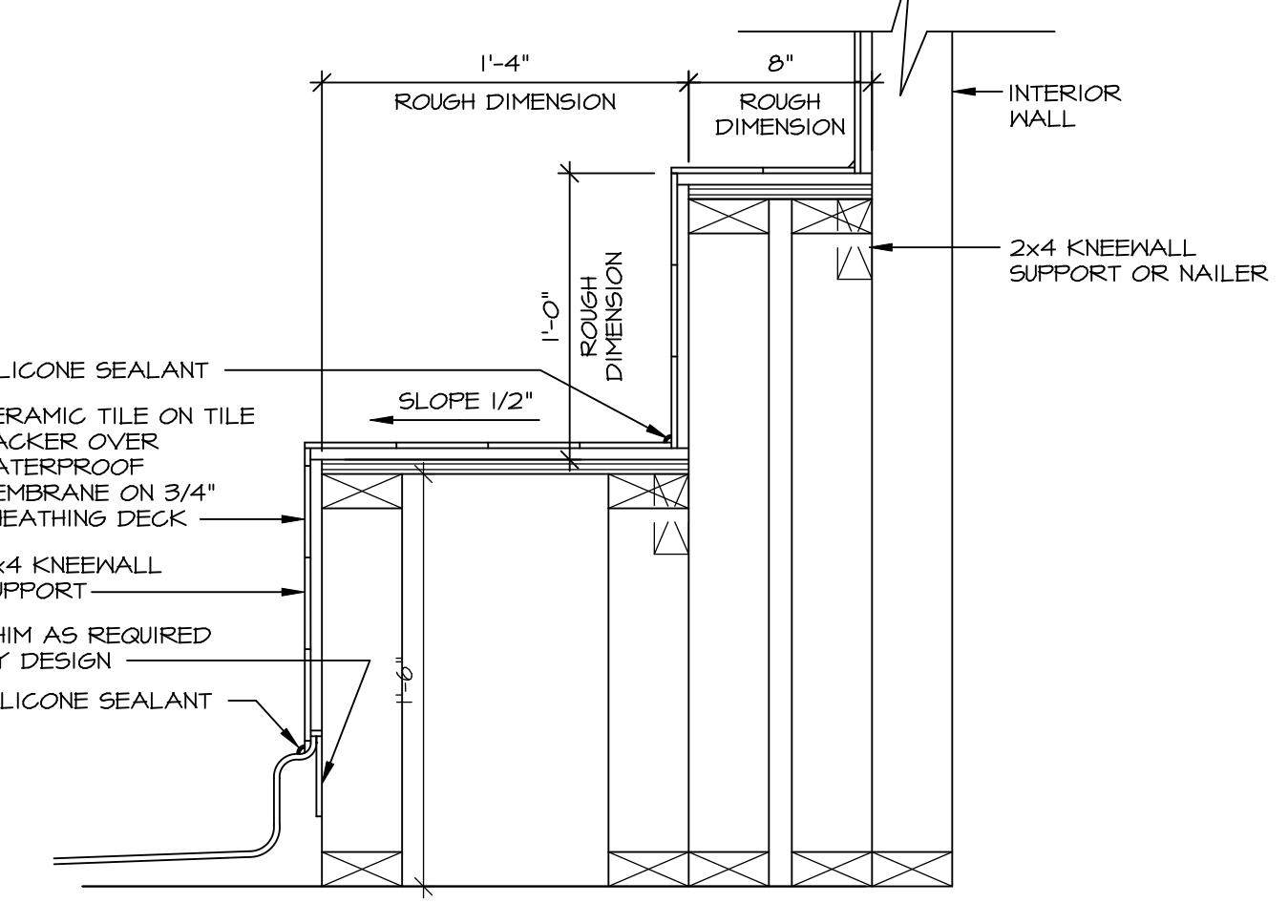
3 SECTION OF TUB TO WALL CONDITION
SCALE: 1" = 1'-0"



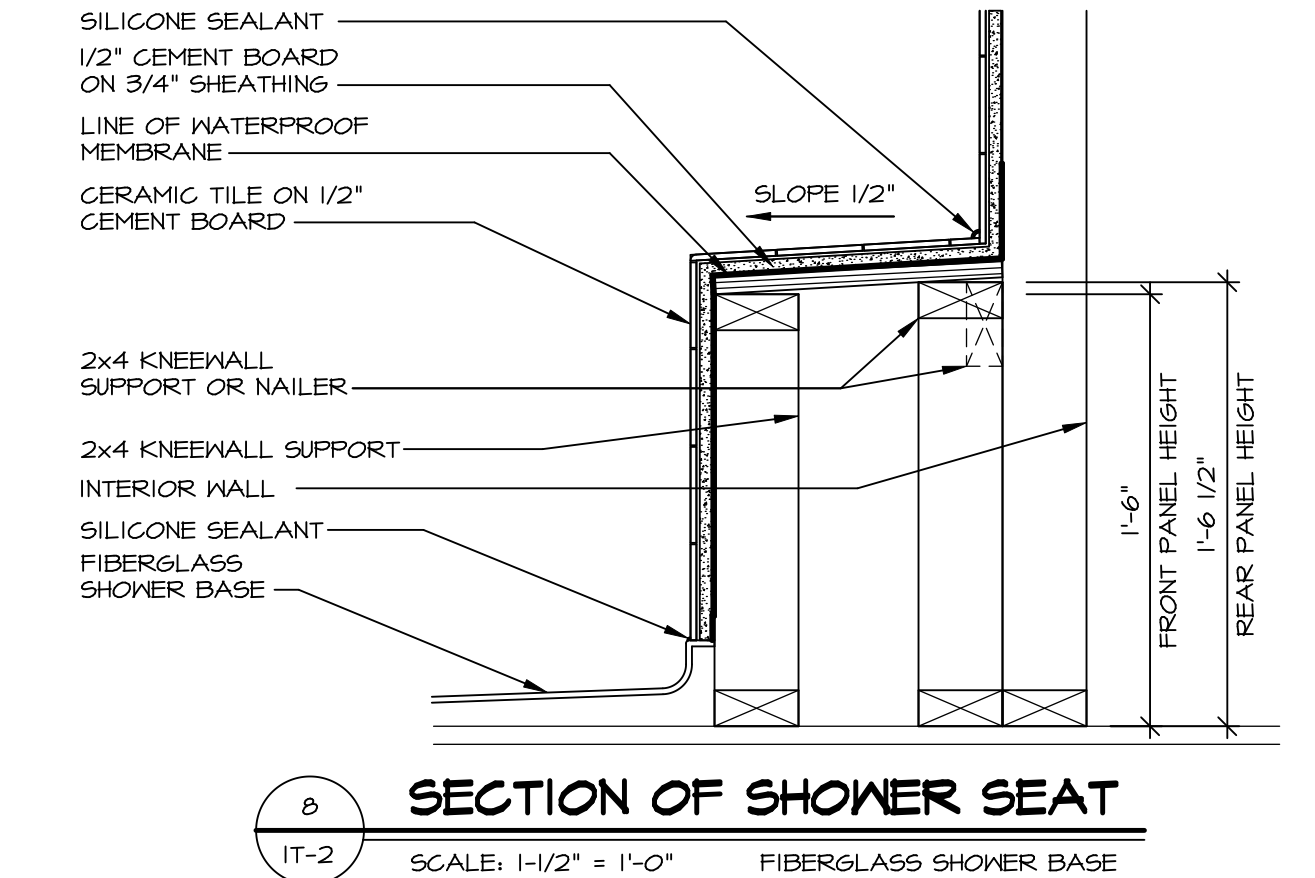
4 ELEVATION
SCALE: 1/2" = 1'-0"



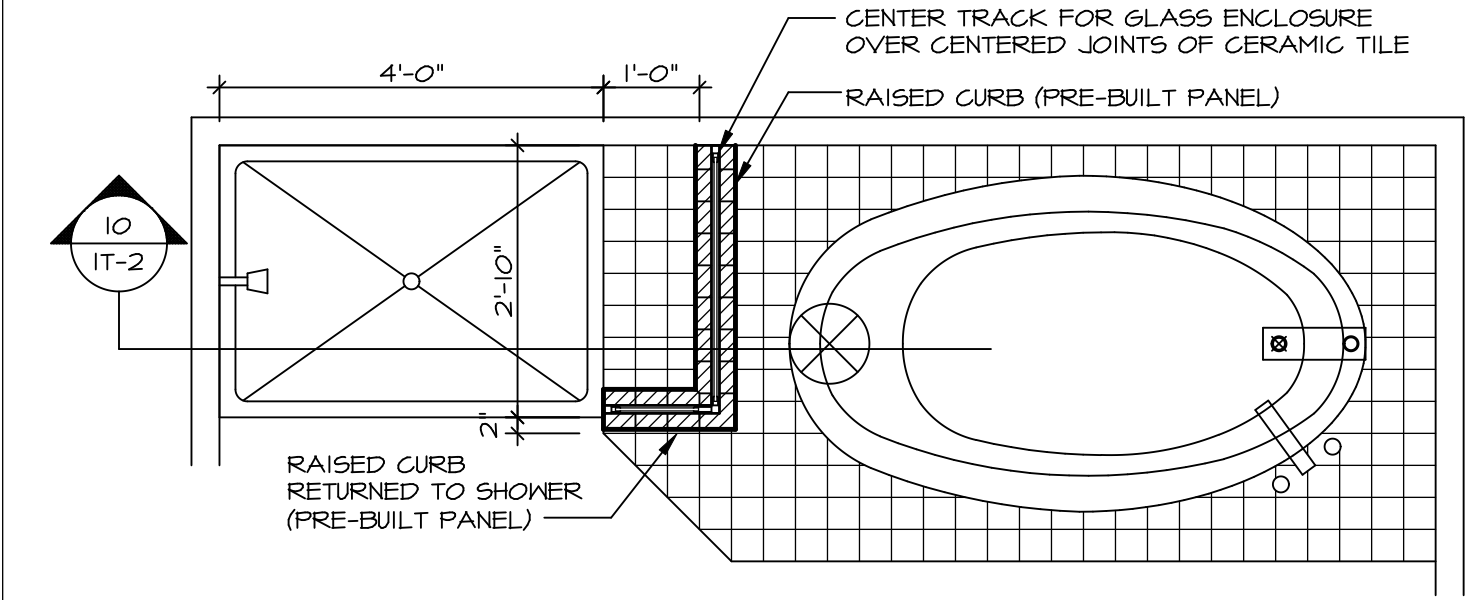
5 INSULATION DETAIL
SCALE: 1" = 1'-0" AT EXTERIOR WALL



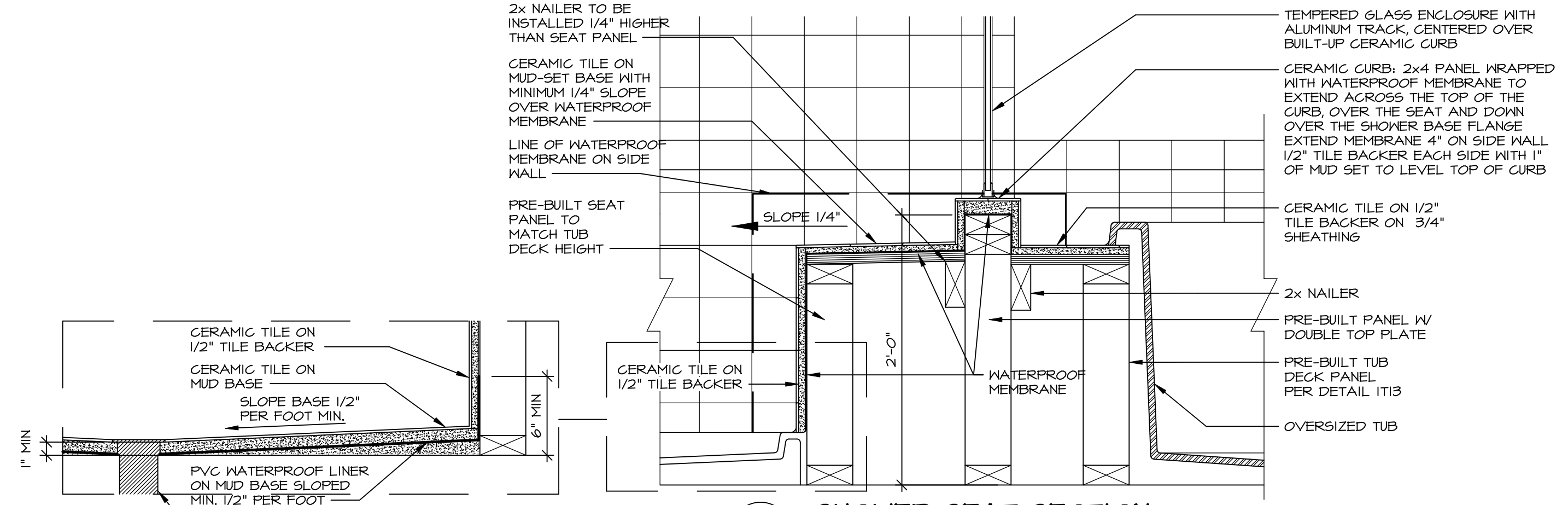
7 SECTION OF SHOWER SEAT AND SHELF
SCALE: 1/2" = 1'-0"



8 SECTION OF SHOWER SEAT
SCALE: 1-1/2" = 1'-0" FIBERGLASS SHOWER BASE



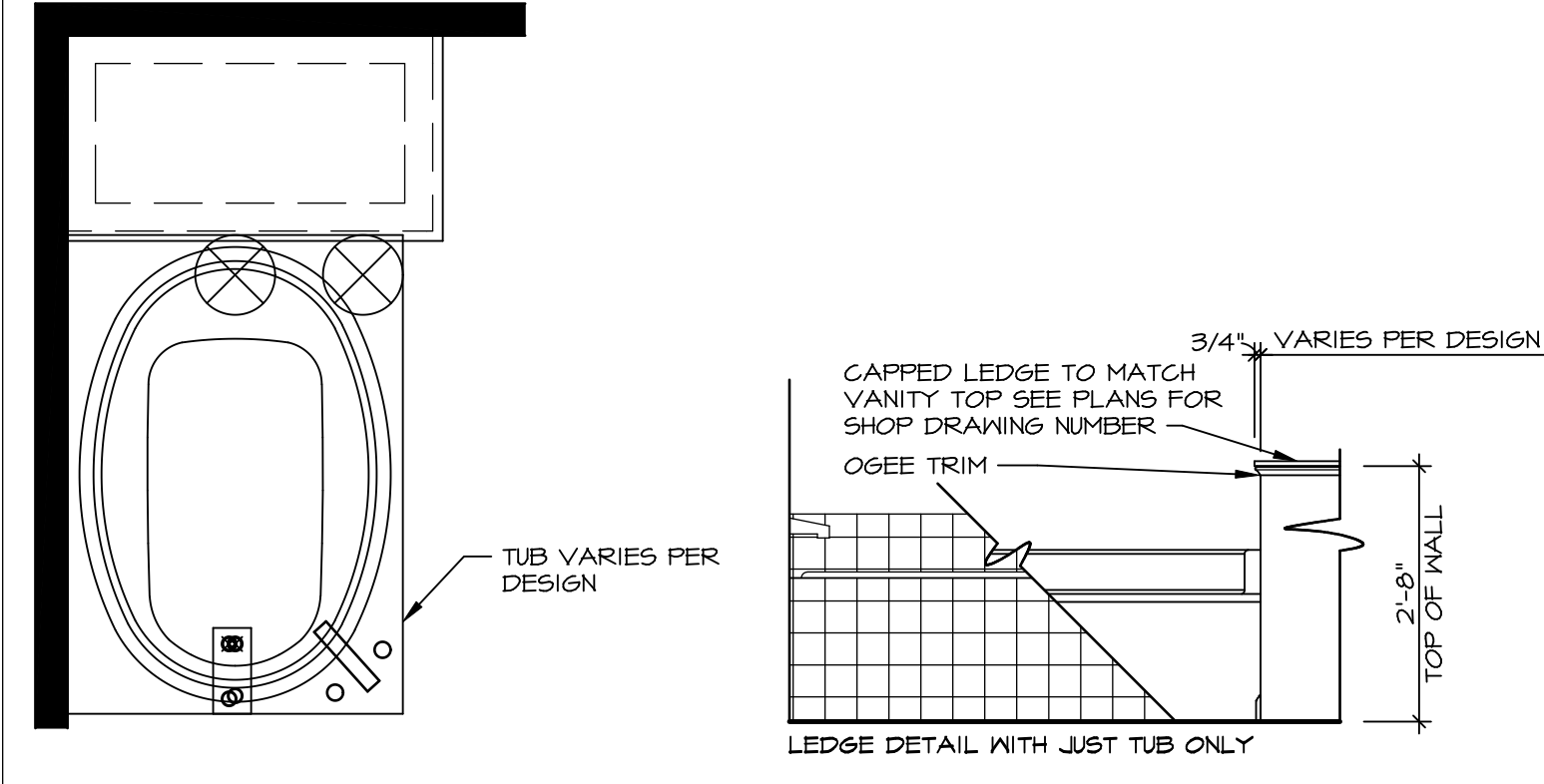
9 SHOWER SEAT PLAN / DETAIL
SCALE: 1/2" = 1'-0"



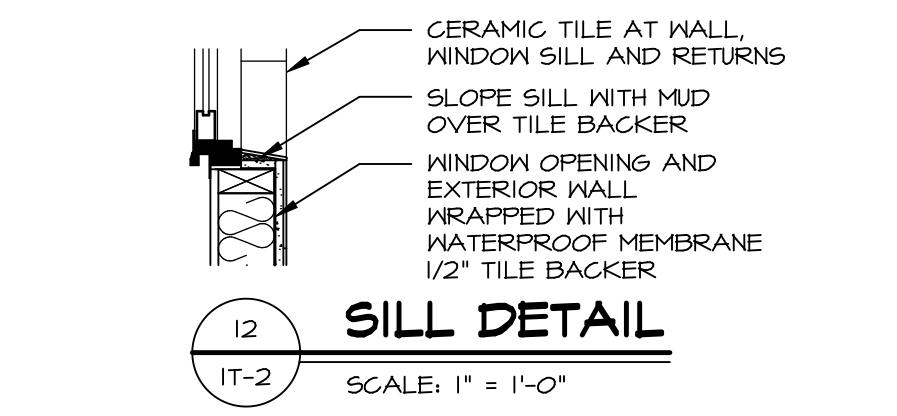
10 SHOWER SEAT SECTION
SCALE: 1-1/2" = 1'-0"



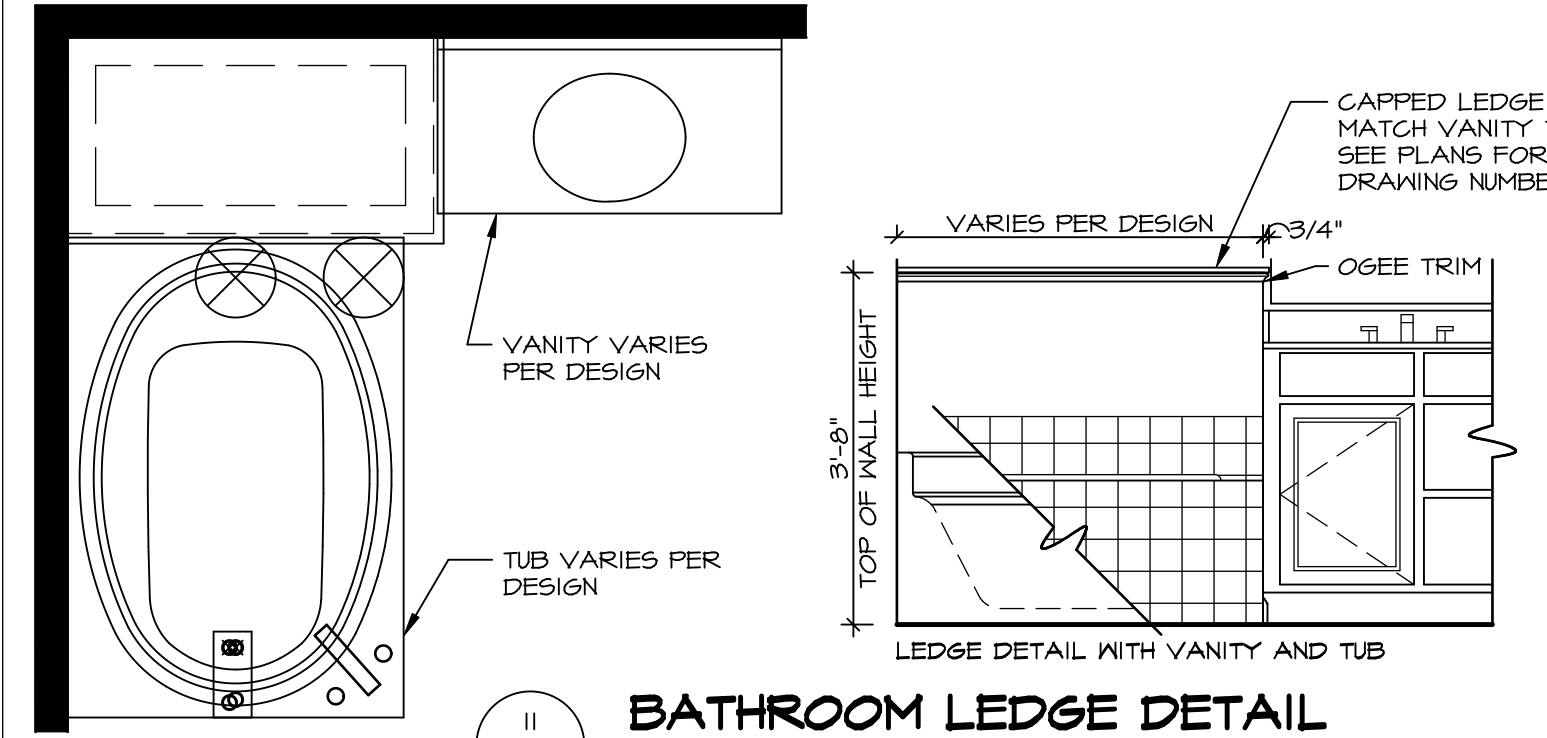
11 ALTERNATE SHOWER PAN DETAIL



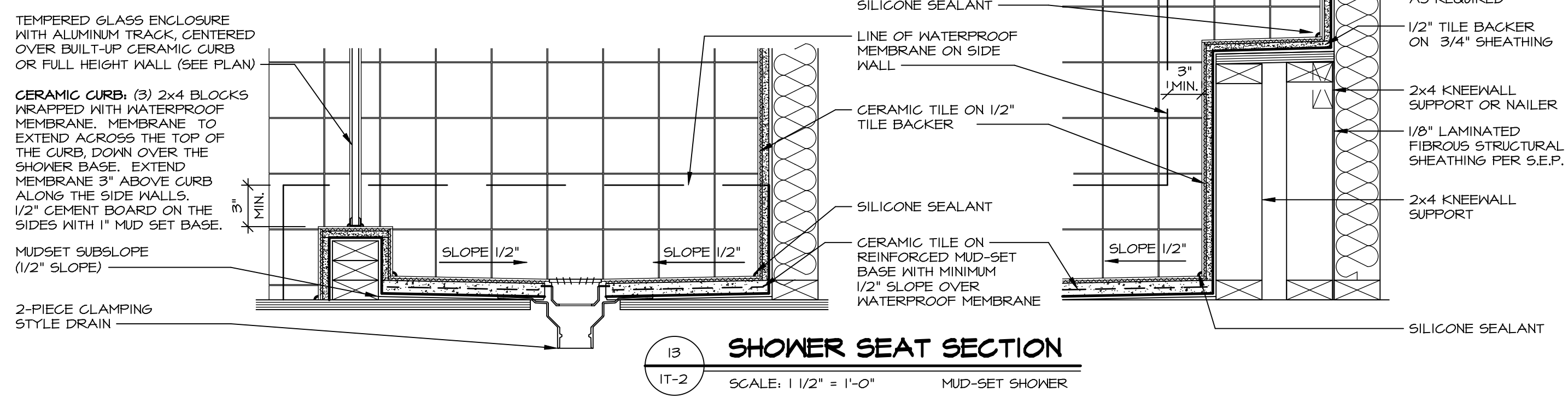
12 BATHROOM LEDGE DETAIL (TUB ONLY)
SCALE: 1/2" = 1'-0"



13 SILL DETAIL
SCALE: 1" = 1'-0"



14 BATHROOM LEDGE DETAIL (VANITY AND TUB)
SCALE: 1/2" = 1'-0"



15 SHOWER SEAT SECTION
SCALE: 1-1/2" = 1'-0" MUD-SET SHOWER

REVISIONS

REV. NO.	DATE	DESCRIPTION
1	5/11/17	EBP - REVISED DETAIL 1 AND 11 TO REMOVE TUB ACCESS PANEL REF. (095 #15 3/4" x 1/2")
2	9/21/17	EBP - REVISED T-FLY NOTE TO CALL OUT LFS
3	9/21/17	EBP - REVISED NOTE ON DETAIL #1 - REVISED ORDER OF MATERIAL PARA#49304
4	8/28/18	EBP - DTL 8 / 19 ME REMOVED THE 2X6 BULKING AT BASE OF SHWR REQUEST #4663

NVR, Inc., owner, expressly reserves its common law copyright and other property rights in these plans. These plans are not to be copied, reproduced, or otherwise used in any way without the prior written consent of NVR, Inc.

NVR
Architectural Services
5285 Westpark Drive
Frederick, MD 21703

SET NO. NVR
VERSION
DRAWN BY
DATE:
OPTION

STANDARD DETAILS
DRAWING TITLE
INTERIOR TRIM DETAILS
BATH DETAILS
OPTION DESCRIPTION

SHEET NO. **IT-2**