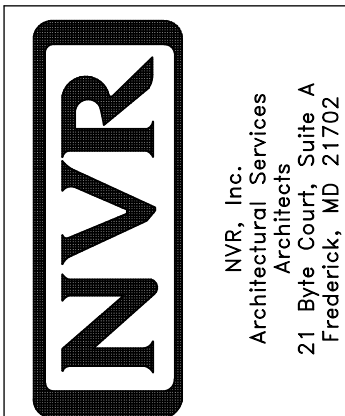


1
A-5
SCALE: 1/4" = 1'-0"

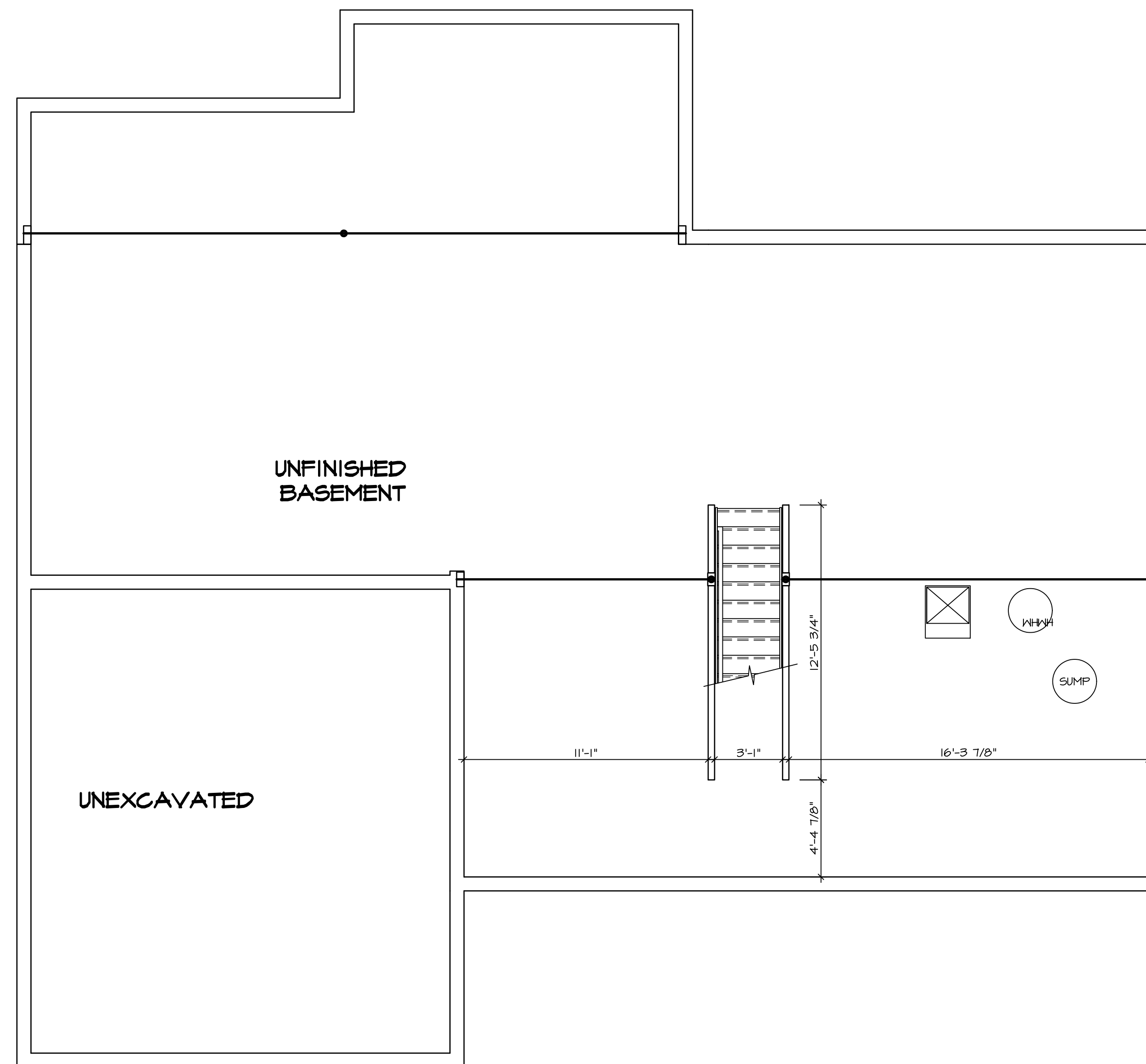
PLUMBING PLAN

SHEET NO. A-5	MODEL RAVENNA	SET NO. RYN00
OPTION DESCRIPTION 41	DRAWING TITLE PLUMBING PLAN	VERSION 03
	DATE:	DRAWN BY:
	OPTION	



NVR, Inc., owner, expressly reserves its copyright in these plans. These plans are not to be reproduced, changed, adapted, copied, or otherwise used in any way without the written consent of NVR, Inc.

REV. NO.	DATE	REMARKS



LEGEND

	BEARING WALL
	NON BEARING WALL
	INDICATES BEARING FROM POINT-LOAD ABOVE
	JACKS
	BEAM/HEADER
	PAD FOOTING
	STEEL COLUMN
	PORTAL FRAME
	JOIST/TRUSS
	LVL
	ENGINEERING PAGE NUMBER

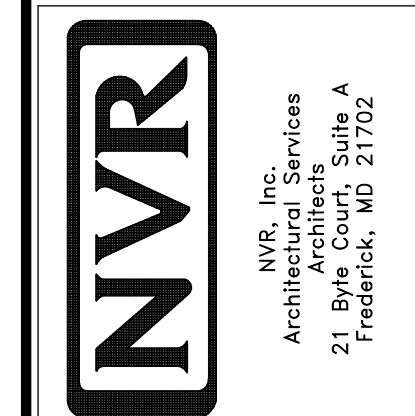
SEE FC DETAILS FOR FRAMING CONNECTORS

- FLOOR PLAN NOTES**
- ALL HEADERS ARE (2) 2x6 w/ 2x4 WALLS OR (3) 2x6 w/ 2x6 WALLS, UNLESS OTHERWISE NOTED.
 - ALL HEADERS TO HAVE (1) 2x4 OR 2x6 JACK EACH END, UNLESS OTHERWISE NOTED.
 - ALL EXTERIOR WALLS TO BE 4" AND ALL INTERIOR WALLS TO BE 3 1/2" UNLESS OTHERWISE NOTED.
 - HATCHED AREAS INDICATE DROPPED CEILINGS. ALL DROPPED CEILINGS ARE 12" UNLESS OTHERWISE NOTED.
 - SEE "BRACED WALL PANEL DETAIL SHEET" FOR SPECIAL WALL FRAMING LOCATIONS AND HEADER SIZES, IF APPLICABLE.
 - SEE STANDARD DETAIL CATEGORY "IT" SHEET(S) FOR INTERIOR TRIM DETAILS.
 - SEE ARCHITECTURAL DETAIL SHEET "AD" FOR HOUSE SPECIFIC INTERIOR TRIM OPTION TABLE.
 - ALL WINDOWS HAVE 7'-0 1/2" HEADER HEIGHT UNLESS OTHERWISE NOTED.

- GYPSUM NOTES**
- AT GARAGE:
GYPSUM BOARD AT COMMON WALLS, CEILINGS, BEAM WRAPS AND SUPPORTS PER STANDARD DETAIL FA-1(b) FIRE ASSEMBLIES OR AS REQUIRED BY LOCAL CODE.
- AT STAIRS:
1/2" GYPSUM BOARD AT UNDERSIDE OF STAIRS AND WALLS IN CLOSET

REV. NO.	DATE	REMARKS
1	08/02/16	TH - DRAWING ALIGNMENT

NVR, Inc., owner, expressly reserves its common law copyright in these plans. These plans are not to be reproduced, changed, adapted in any way, or otherwise used, without the prior written consent of NVR, Inc.



MODEL	SET NO. RYNOO	VERSION 03	DRAWN BY	DATE:	OPTION
RAVENNA					
DRAWING TITLE	BASEMENT FLOOR PLAN				
OPTION DESCRIPTION	4-4				
SHEET NO.	A-7				

BASEMENT FLOOR PLAN
SCALE: 1/4" = 1'-0"

FIRST FLOOR JACK SCHEDULE				
IDENTIFIER	DESCRIPTION	OPTIONS	ENG. NUM.	REMARKS
J01	JACK - (3) 2X6 SFF STUD GRADE	MAA	112	
J02	JACK - (3) 2X6 SFF STUD GRADE	MAA	112	
J03	JACK - (3) 2X4 SFF STUD GRADE	SRN, SQK, MAA	116	FULL HEIGHT STUDS
J04	JACK - (3) 2X4 SFF STUD GRADE	SRN, SQK, MAA	116	FULL HEIGHT STUDS
J15	JACK - (4) 2X4 SFF STUD GRADE	BAR	133	
J16	JACK - (4) 2X4 SFF STUD GRADE	BAR	133	
J25	JACK - (4) 2X4 SFF STUD GRADE	MAV, ELA, ELB, ELC, ELL, GCB	114	
J26	JACK - (4) 2X4 SFF STUD GRADE	MAV, ELA, ELB, ELC, ELL, GCB	114	
J27	JACK - (2) 2X4 SFF STUD GRADE	MAV, GCB	102	
J30	JACK - (2) 2X4 SFF STUD GRADE	MAV, GCB	102	
J65	JACK - (2) 2X4 SFF STUD GRADE	BAR	112	
J66	JACK - (2) 2X4 SFF STUD GRADE	BAR	112	
J78	JACK - (3) 2X4 SFF STUD GRADE	SQK OR SRN	110	

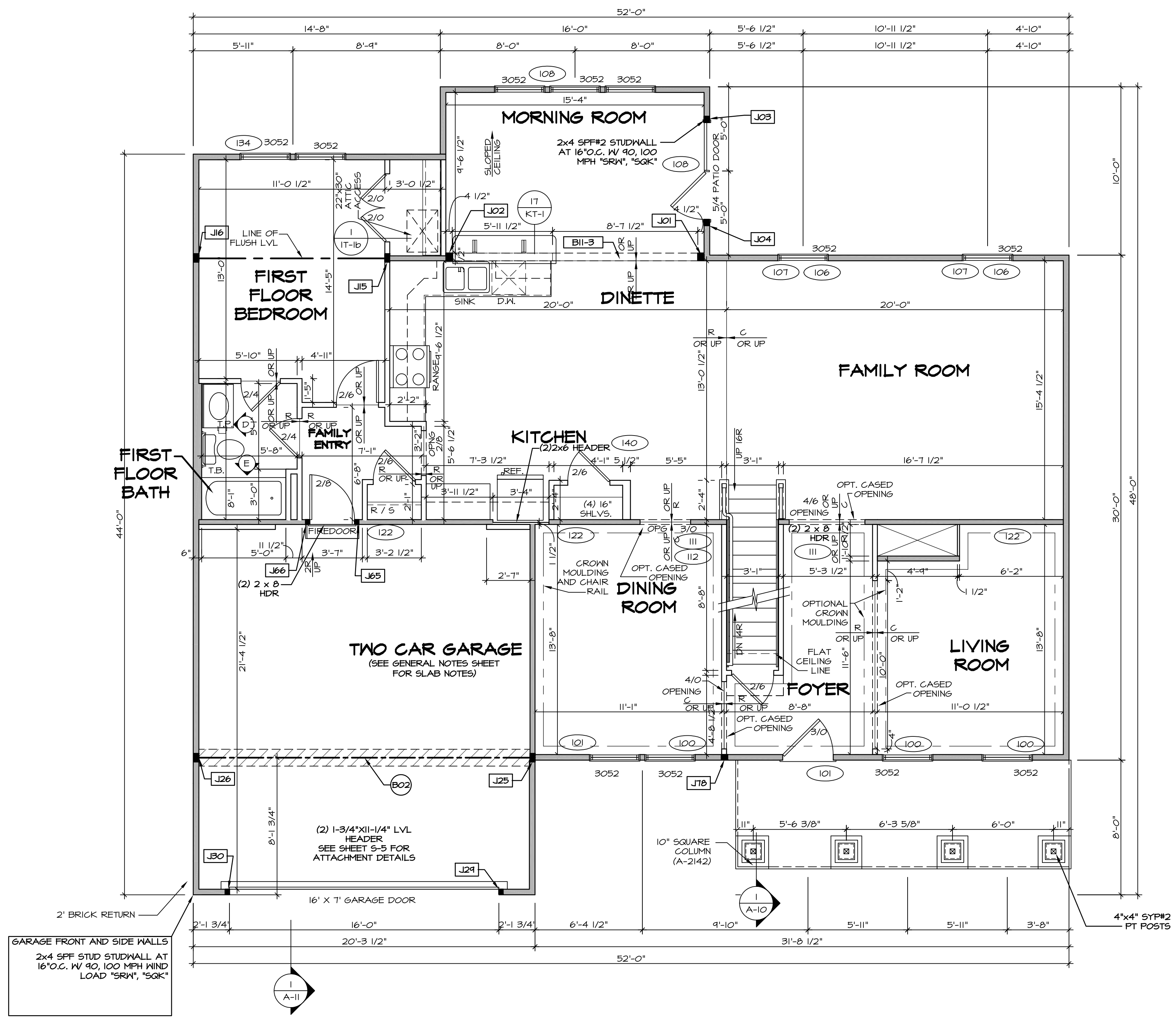
LVL PLY TO PLY FASTENING SCHEDULE:				
1A	(2) PLY UP TO AND INCLUDING 11 7/8" TALL; FASTEN PLYS W/ (2) ROWS 16D NAILS AT 12" O.C.			
2A	(2) PLY 14" TO AND INCLUDING 18" TALL (INCLUSIVE); FASTEN PLYS W/ (3) ROWS 16D NAILS AT 12" O.C.			
3A	(2) PLY 20" TALL AND OVER; FASTEN PLYS W/ (4) ROWS 16D NAILS AT 12" O.C.			
4A	(3) PLY UP TO AND INCLUDING 11 7/8" TALL; FASTEN PLYS W/ (2) ROWS 16D NAILS AT 12" O.C. FROM EACH SIDE			
5A	(3) PLY 14" TO AND INCLUDING 18" TALL (INCLUSIVE); FASTEN PLYS W/ (3) ROWS 16D NAILS AT 12" O.C. FROM EACH SIDE			
6A	(3) PLY 20" TALL AND OVER; FASTEN PLYS W/ (4) ROWS 16D NAILS AT 12" O.C. FROM EACH SIDE			

FIELD INSTALLED FIRST FLOOR BEAM/HEADER SCHEDULE					
IDENTIFIER	DESCRIPTION	LENGTH	OPTIONS	ENG. NUM.	REMARKS
B02	BEAM STEEL - W12X19	20'-2 1/2"	MAV, ELA, ELB, ELC, ELL, GCB	145	
B11-3	LVL - 16	15'-4"	MAA	112	3 PLY, 5A

LEGEND	
	BEARING WALL
	NON BEARING WALL
	INDICATES BEARING FROM POINT-LOAD ABOVE
	JACKS
	BEAM/HEADER
	PAD FOOTING
	STEEL COLUMN
	PORTAL FRAME
	JOIST/TRUSS
	LVL
	ENGINEERING PAGE NUMBER

- FLOOR PLAN NOTES**
- ALL HEADERS ARE (2) 2x6 W/ 2x4 WALLS OR (3) 2x6 W/ 2x6 WALLS, UNLESS OTHERWISE NOTED.
 - ALL HEADERS TO HAVE (1) 2x4 OR 2x6 JACK AND KING STUD EACH END, UNLESS OTHERWISE NOTED.
 - ALL EXTERIOR WALLS TO BE 4" W/ OSB OR 3 1/2" W/ T-PLY; ALL INTERIOR WALLS TO BE 3 1/2", UNLESS OTHERWISE NOTED.
 - HATCHED AREAS INDICATE DROPPED CEILINGS. ALL DROPPED CEILINGS ARE 12" UNLESS OTHERWISE NOTED.
 - SEE "BRACED WALL PANEL DETAIL SHEET" FOR SPECIAL WALL FRAMING LOCATIONS AND HEADER SIZES, IF APPLICABLE.
 - SEE STANDARD DETAIL CATEGORY "11" SHEET(S) FOR INTERIOR TRIM DETAILS.
 - SEE ARCHITECTURAL DETAIL SHEET "AD" FOR HOUSE SPECIFIC INTERIOR TRIM OPTION TABLE.
 - ALL WINDOWS HAVE 1"-0 1/2" HEADER HEIGHT UNLESS OTHERWISE NOTED.
 - ALL HEADERS IN NON-BEARING WALLS SHALL BE A SINGLE FLAT 2X4 OR 2X6 ATTACHED TO CRIPPLES ABOVE, UNLESS OTHERWISE NOTED.

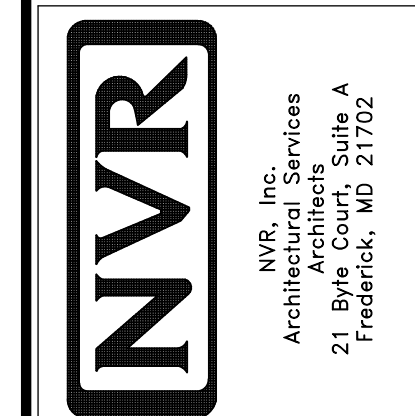
- GYPSUM NOTES**
- AT GARAGE:
 GYPSUM BOARD AT COMMON WALLS, CEILINGS, BEAM WRAPS AND SUPPORTS PER STANDARD DETAIL FA-1(b) FIRE ASSEMBLIES OR AS REQUIRED BY LOCAL CODE.
- AT STAIRS:
 1/2" GYPSUM BOARD AT UNDERSIDE OF STAIRS AND WALLS IN CLOSET



FIRST FLOOR PLAN
 SCALE: 1/4" = 1'-0"

REV. NO.	DATE	REMARKS
1	08/02/16	TH - DRAWING ALIGNMENT
2	07/11/17	5L5 - T-PLY CONVERSION PROJECT

NVR, Inc., owner, expressly reserves the copyright in these plans. These plans are not to be reproduced, changed, copied, or otherwise used in any way without the written consent of NVR, Inc.



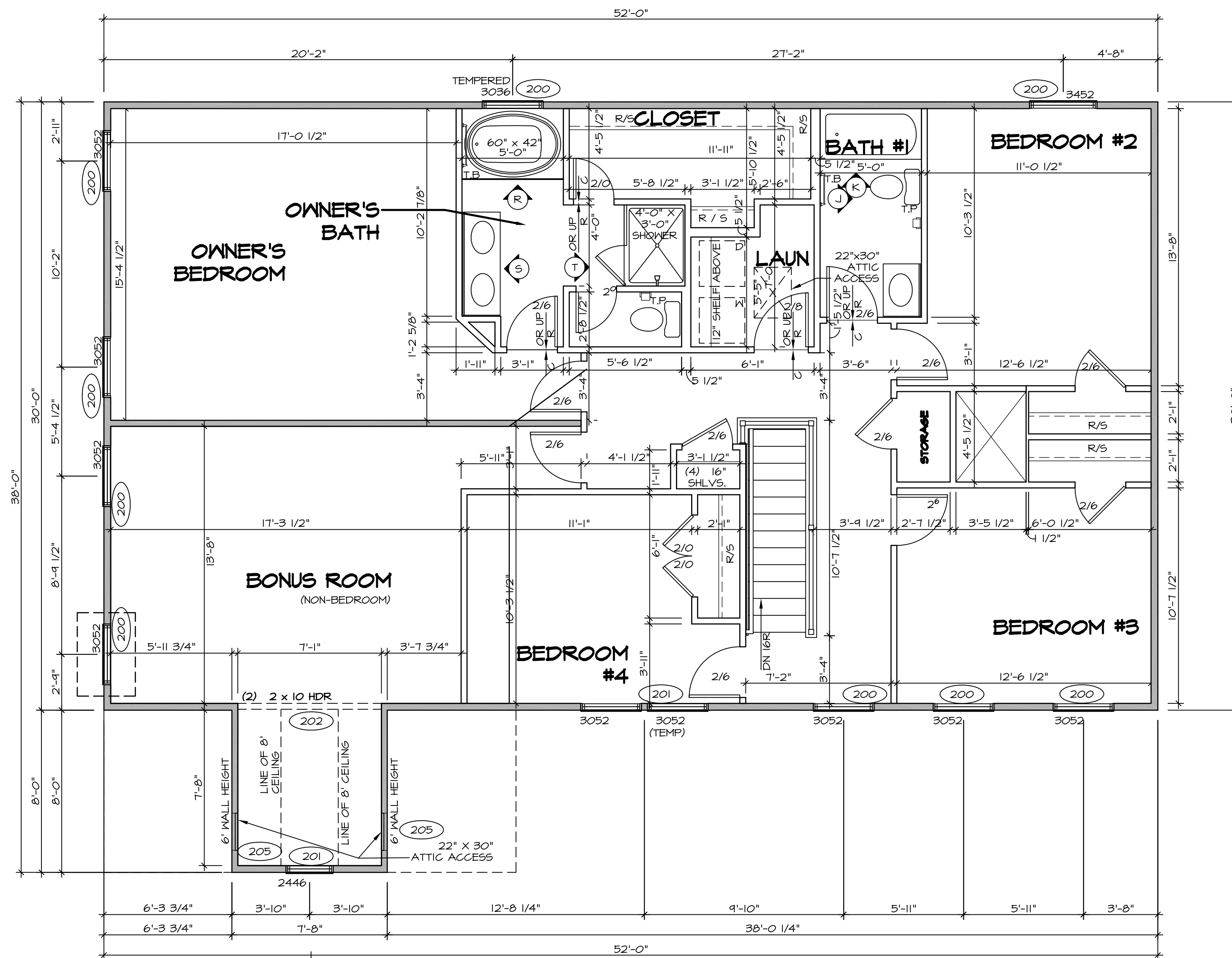
SHEET NO.	MODEL	SET NO.	VERSION	DRAWN BY	DATE:	OPTION
A-8	RAVENNA	03	03			
45						

SECOND FLOOR JACK SCHEDULE				
IDENTIFIER	DESCRIPTION	OPTIONS	ENG. NUM.	REMARKS

LEGEND	
	BEARING WALL
	NON BEARING WALL
	INDICATES BEARING FROM POINT-LOAD ABOVE
	JACKS
	BEAM/HEADER
	PAD FOOTING
	STEEL COLUMN
	PORTAL FRAME
	JOIST/TRUSS
	LVL
	ENGINEERING PAGE NUMBER

SEE FC DETAILS FOR FRAMING CONNECTORS

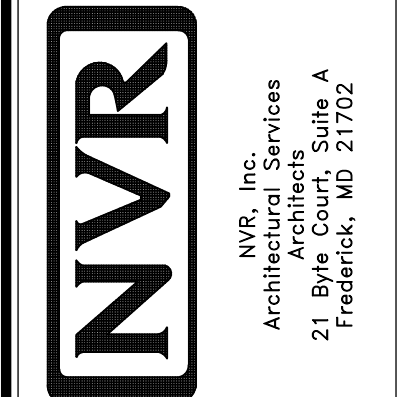
- FLOOR PLAN NOTES**
- ALL HEADERS ARE (2) 2x6 w/ 2x4 WALLS OR (3) 2x6 w/ 2x6 WALLS, UNLESS OTHERWISE NOTED.
 - ALL HEADERS TO HAVE (1) 2x4 OR 2x6 JACK AND KING STUD EACH END, UNLESS OTHERWISE NOTED.
 - ALL EXTERIOR WALLS TO BE 4" w/ OSB OR 3 1/2" w/ T-PLY; ALL INTERIOR WALLS TO BE 3 1/2", UNLESS OTHERWISE NOTED.
 - HATCHED AREAS INDICATE DROPPED CEILINGS. ALL DROPPED CEILINGS ARE 12" UNLESS OTHERWISE NOTED.
 - SEE "BRACED WALL PANEL DETAIL SHEET" FOR SPECIAL WALL FRAMING LOCATIONS AND HEADER SIZES, IF APPLICABLE.
 - SEE STANDARD DETAIL CATEGORY "IT" SHEET(S) FOR INTERIOR TRIM DETAILS.
 - SEE ARCHITECTURAL DETAIL SHEET "AD" FOR HOUSE SPECIFIC INTERIOR TRIM OPTION TABLE.
 - ALL WINDOWS HAVE 7'-0 1/2" HEADER HEIGHT UNLESS OTHERWISE NOTED.
 - ALL HEADERS IN NON-BEARING WALLS SHALL BE A SINGLE FLAT 2x4 OR 2x6 ATTACHED TO CRIPPLES ABOVE, UNLESS OTHERWISE NOTED.



SECOND FLOOR PLAN
SCALE: 1/4" = 1'-0"

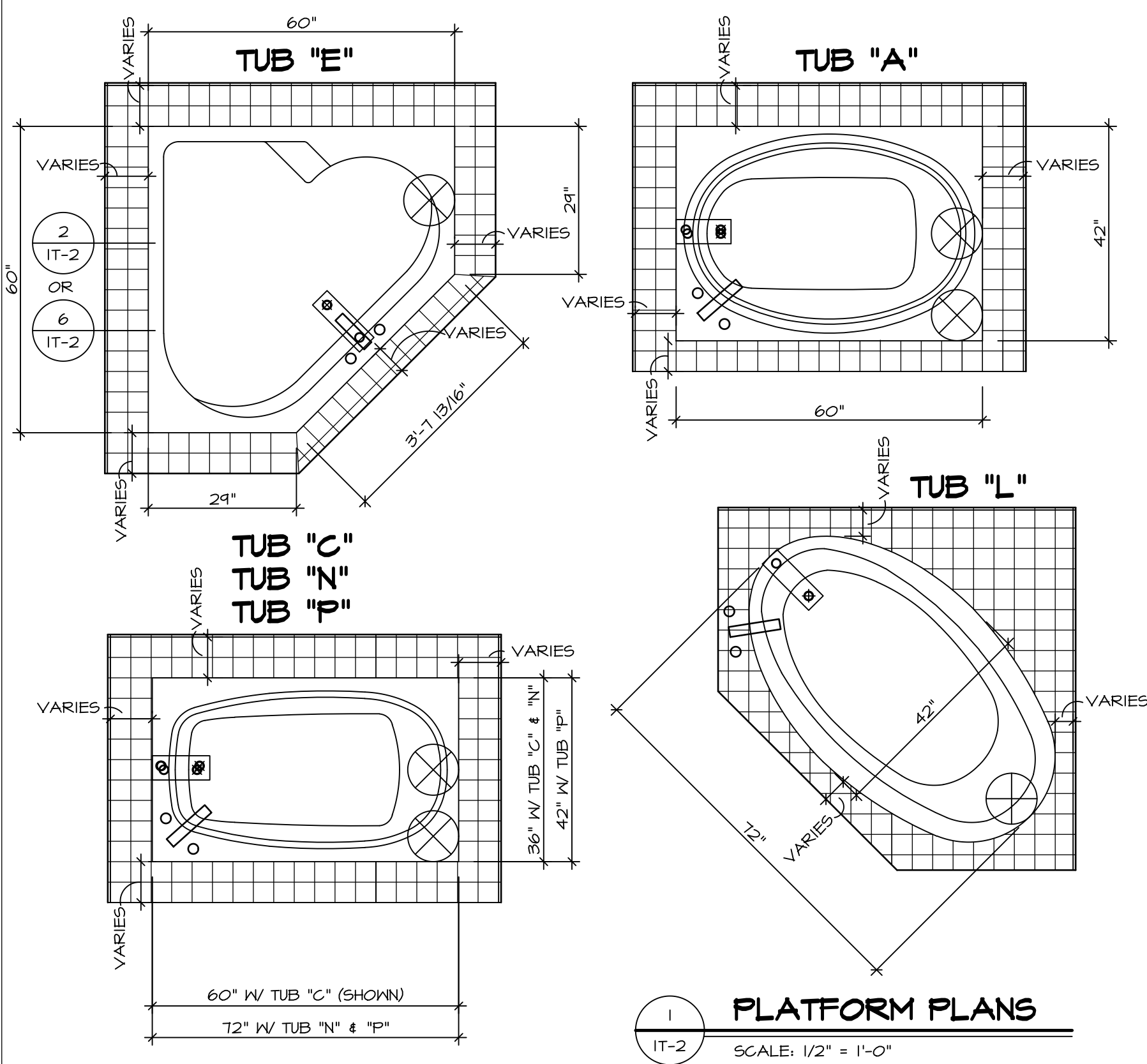
REV. NO.	DATE	REMARKS
1	08/02/16	TM - DRAWING ALIGNMENT
2	6/28/17	TRV - REVISED ROOF ACCESS PANELS
3	07/11/17	SLS - T-PLY CONVERSION PROJECT

NVR, Inc., owner, expressly reserves its common law copyright in these architectural plans. These plans are not to be reproduced, copied, or otherwise used in any form without the prior written consent of NVR, Inc.



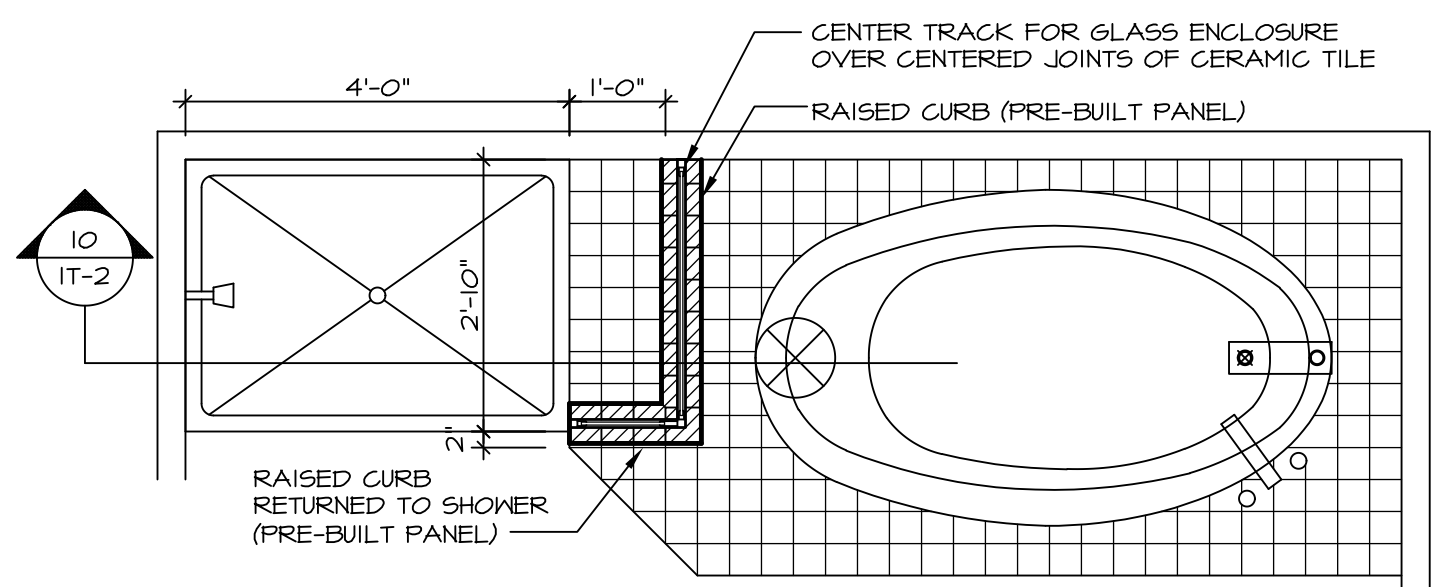
SET NO. RYNOO	VERSION 03
DRAWN BY	DATE:
OPTION	OPTION

MODEL	RAVENNA
DRAWING TITLE	SECOND FLOOR PLAN
OPTION DESCRIPTION	
SHEET NO.	A-9
49	

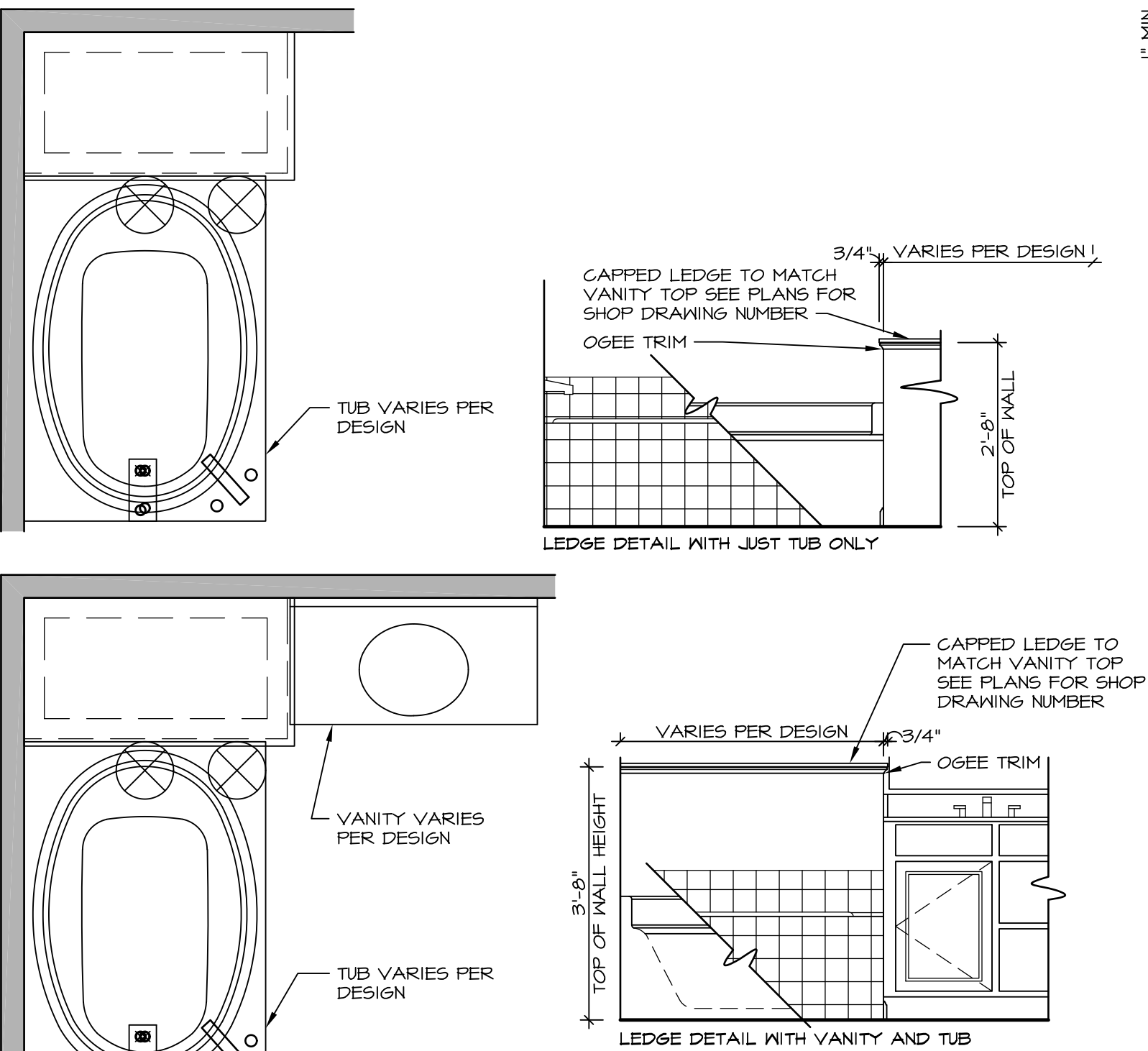


1 PLATFORM PLANS
SCALE: 1/2" = 1'-0"

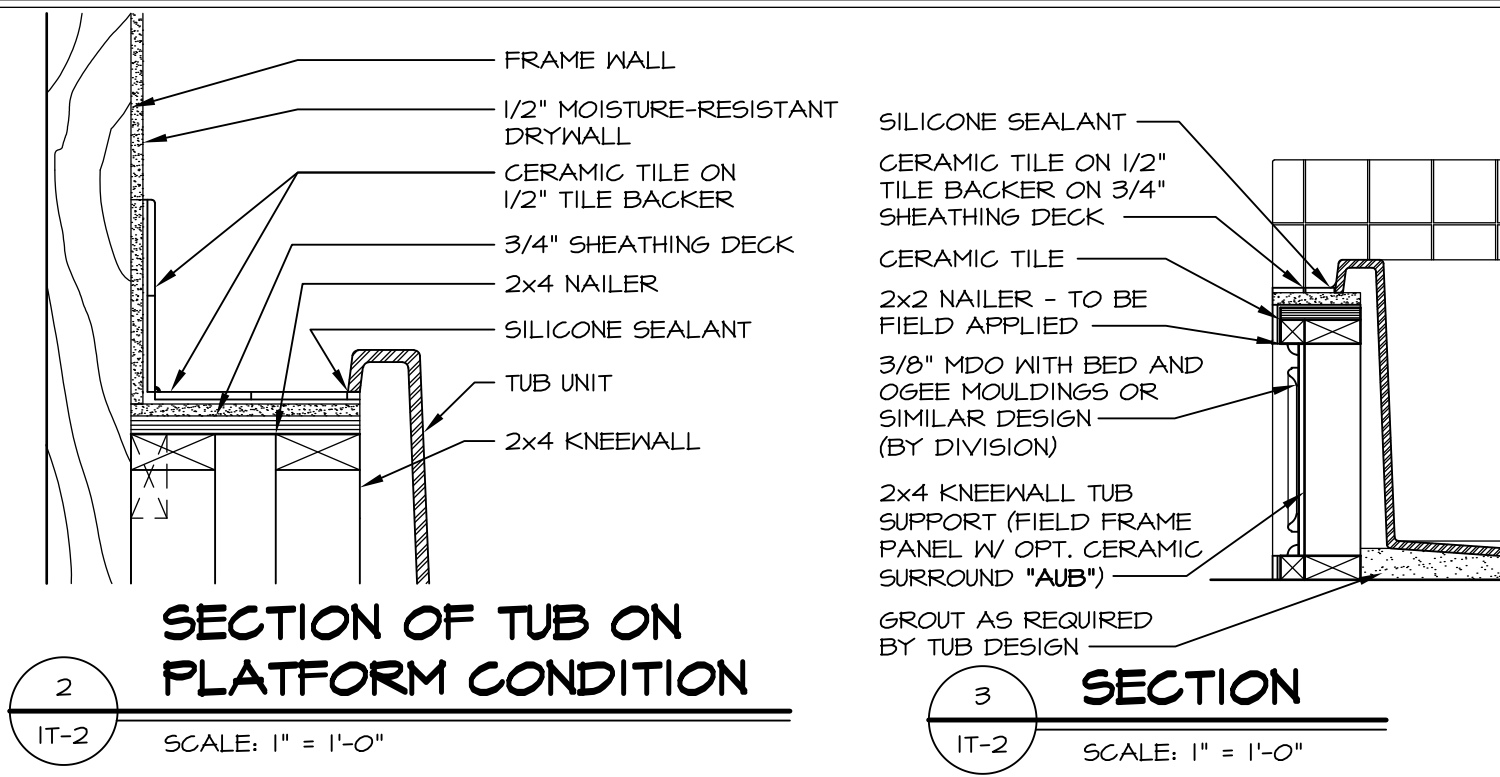
TUB	MANUF.	HEIGHT	WIDTH	LENGTH	TUB DECK PANEL HEIGHT
"A"	KOHLER/STERLING	18 3/4"	42"	60"	17 1/8"
"C"	KOHLER/STERLING	18 3/4"	36"	60"	17 1/8"
"E"	KOHLER/STERLING	19 1/2"	60"	60"	17 7/8"
"L"	KOHLER/STERLING	18 1/2"	42"	72"	16 7/8"
"N"	KOHLER/STERLING	18 3/4"	36"	72"	17 1/8"
"P"	KOHLER/STERLING	18 3/4"	42"	72"	17 1/8"



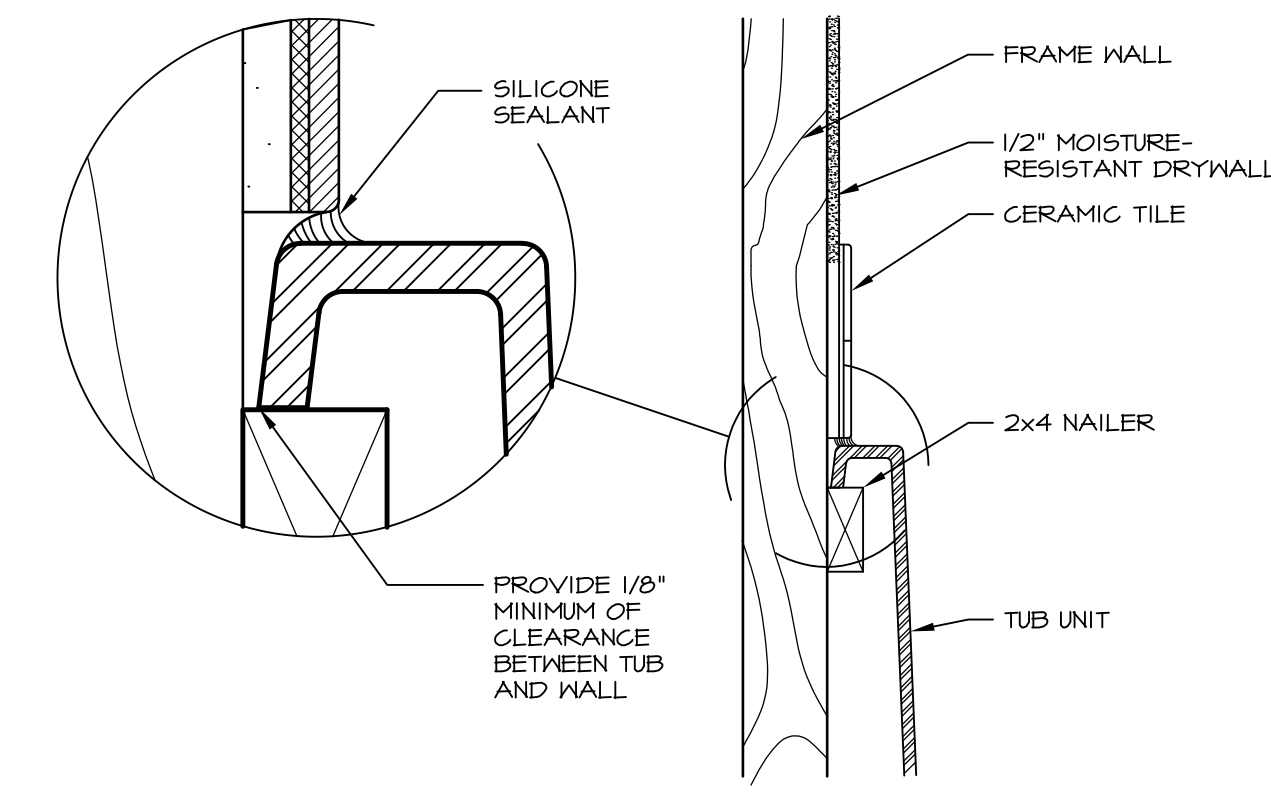
9 SHOWER SEAT PLAN / DETAIL
SCALE: 1/2" = 1'-0"



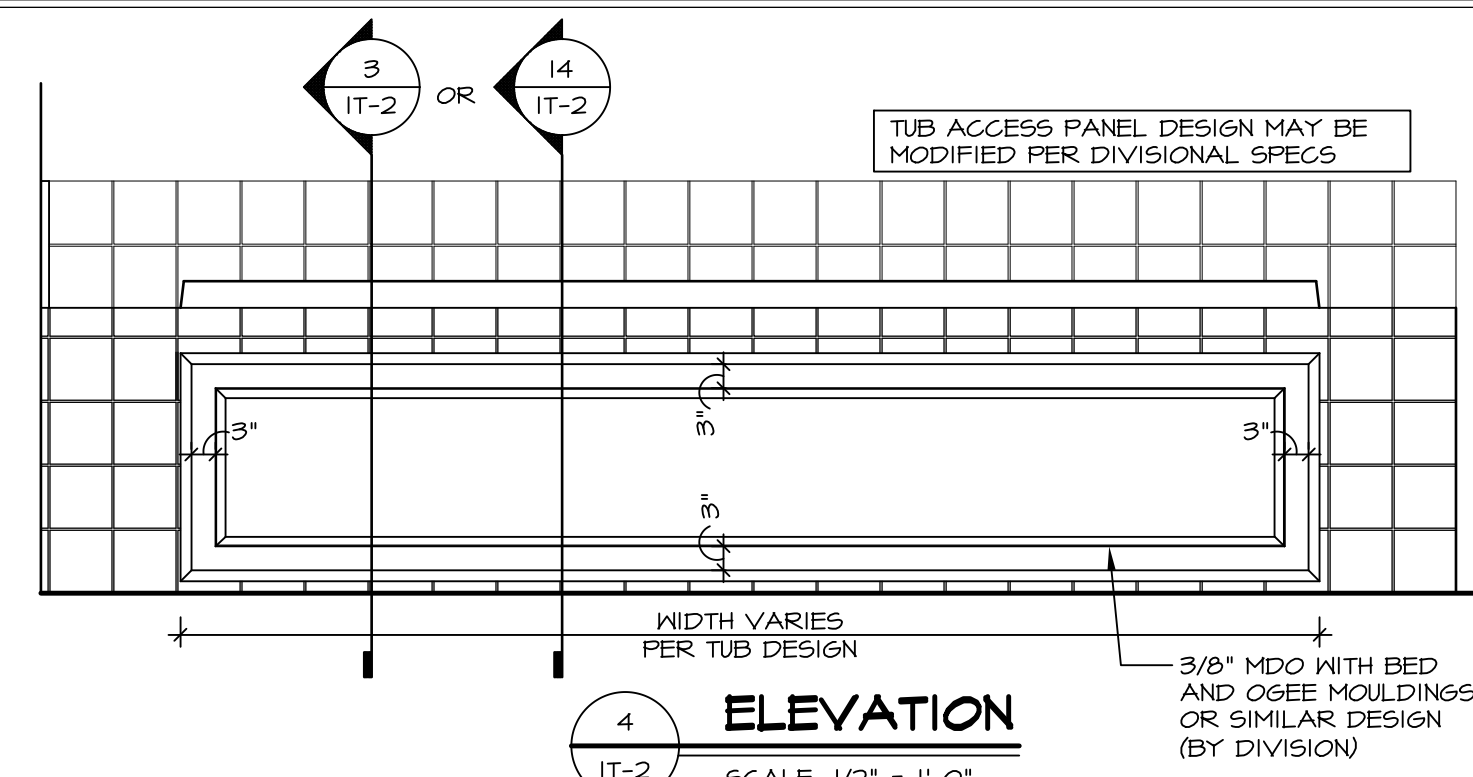
11 BATHROOM LEDGE DETAIL
SCALE: 1/2" = 1'-0"



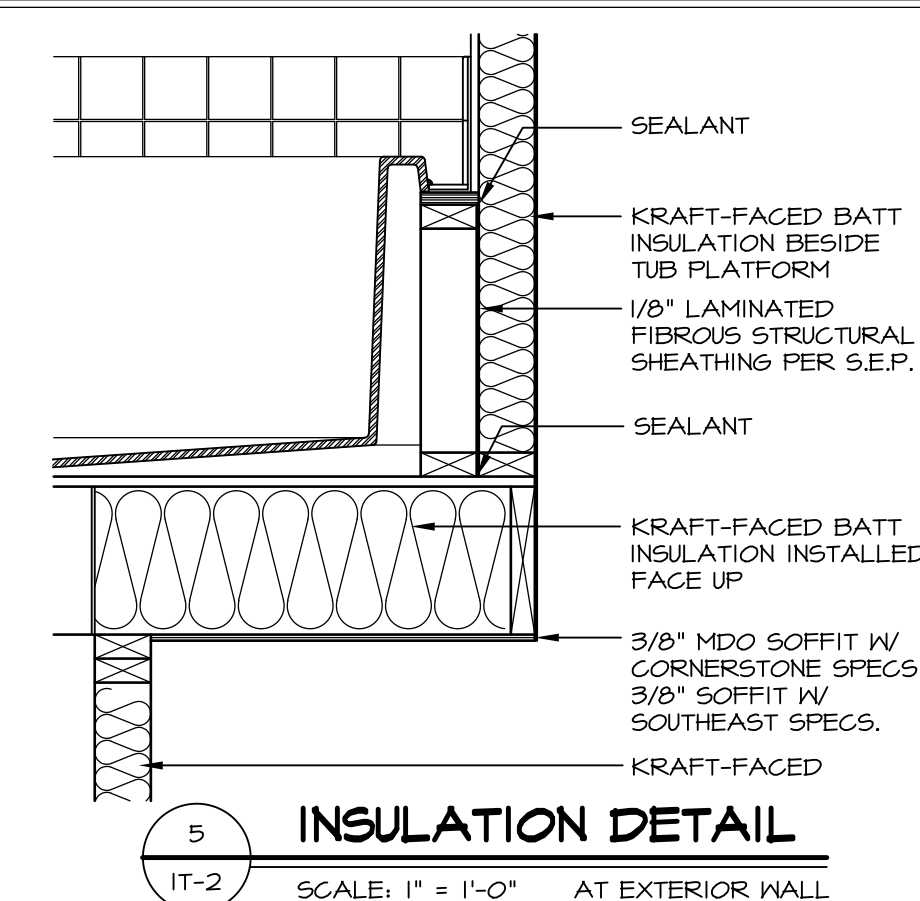
2 SECTION OF TUB ON PLATFORM CONDITION
SCALE: 1" = 1'-0"



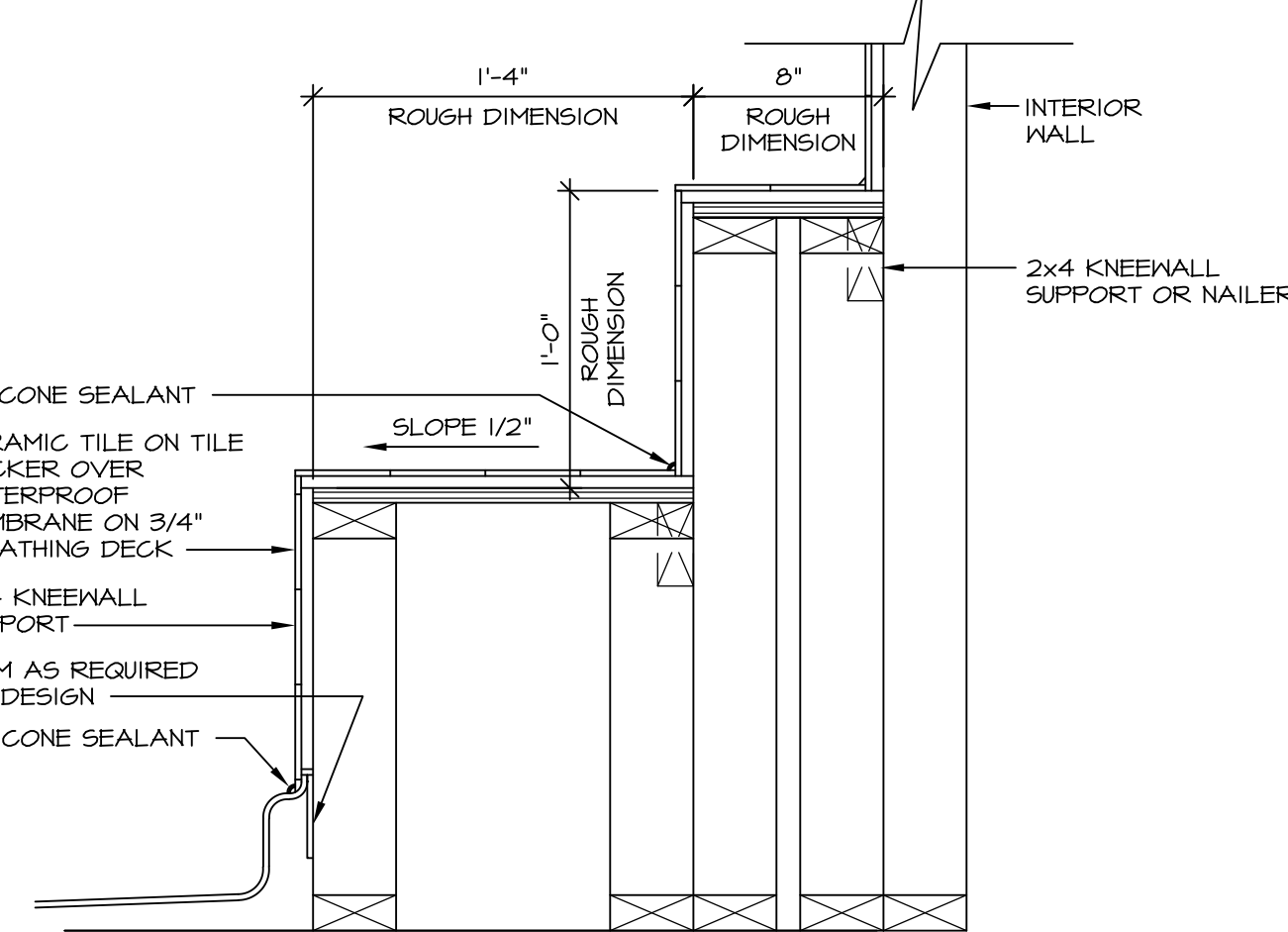
3 SECTION OF TUB TO WALL CONDITION
SCALE: 1" = 1'-0"



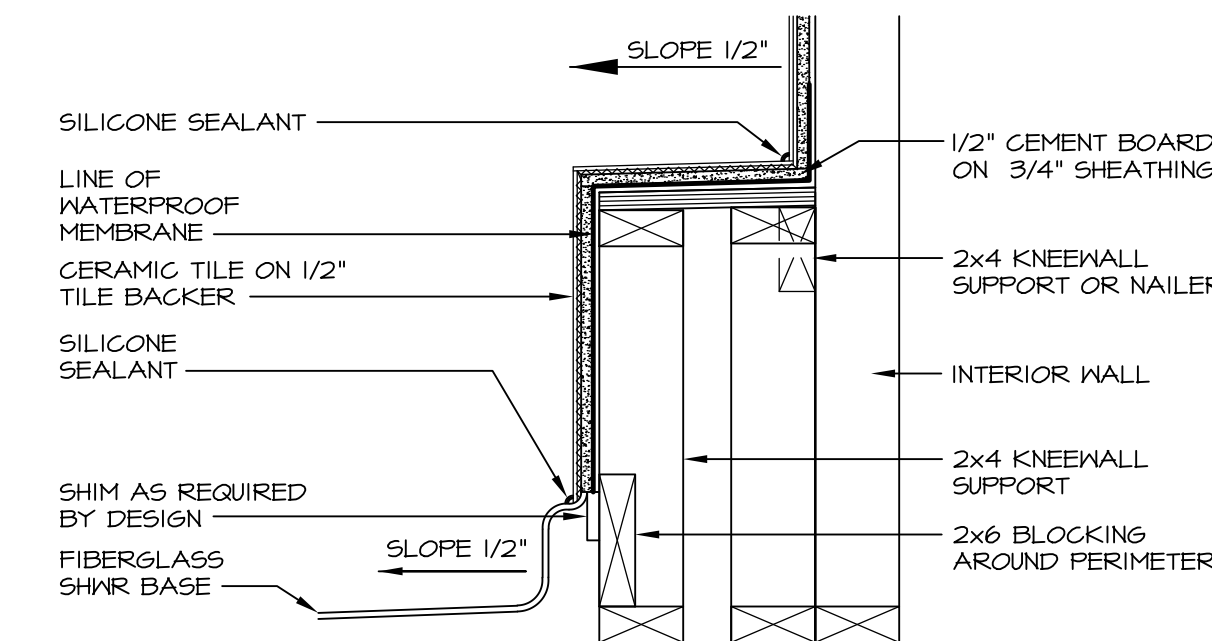
4 ELEVATION
SCALE: 1/2" = 1'-0"



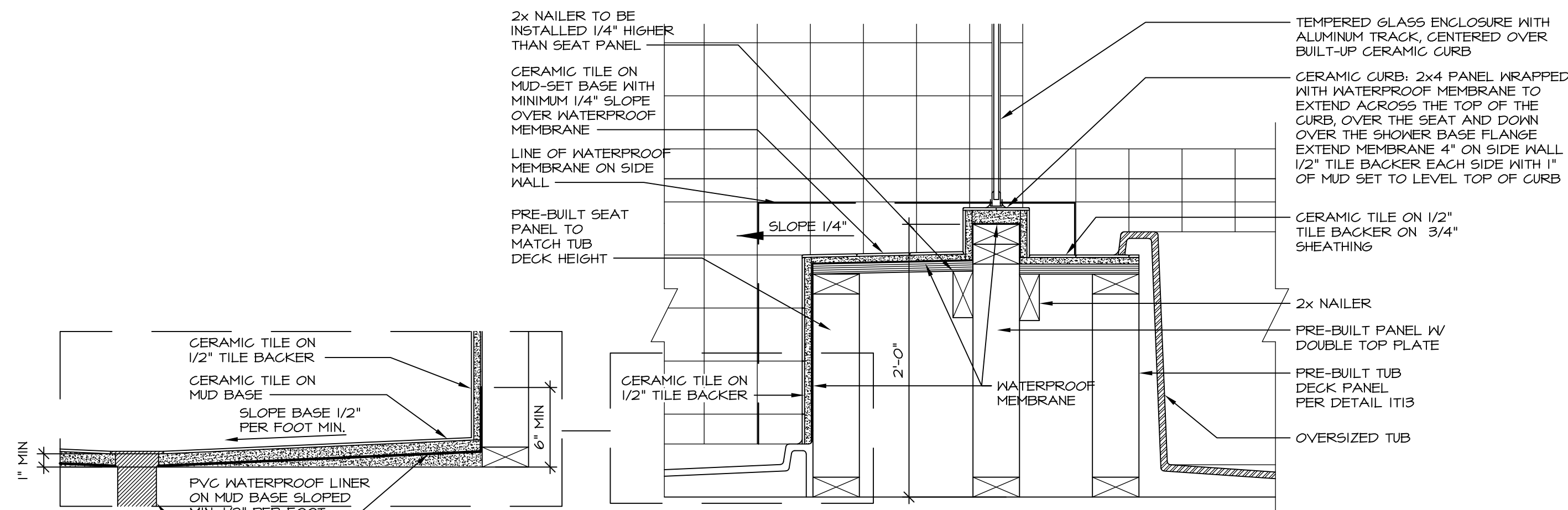
5 INSULATION DETAIL
SCALE: 1" = 1'-0" AT EXTERIOR WALL



7 SECTION OF SHOWER SEAT AND SHELF
SCALE: 1/2" = 1'-0"

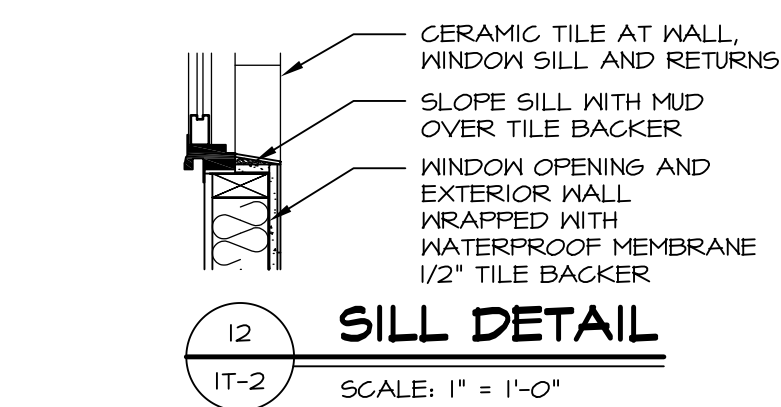


8 SECTION OF SHOWER SEAT
SCALE: 1/2" = 1'-0" FIBERGLASS SHOWER BASE

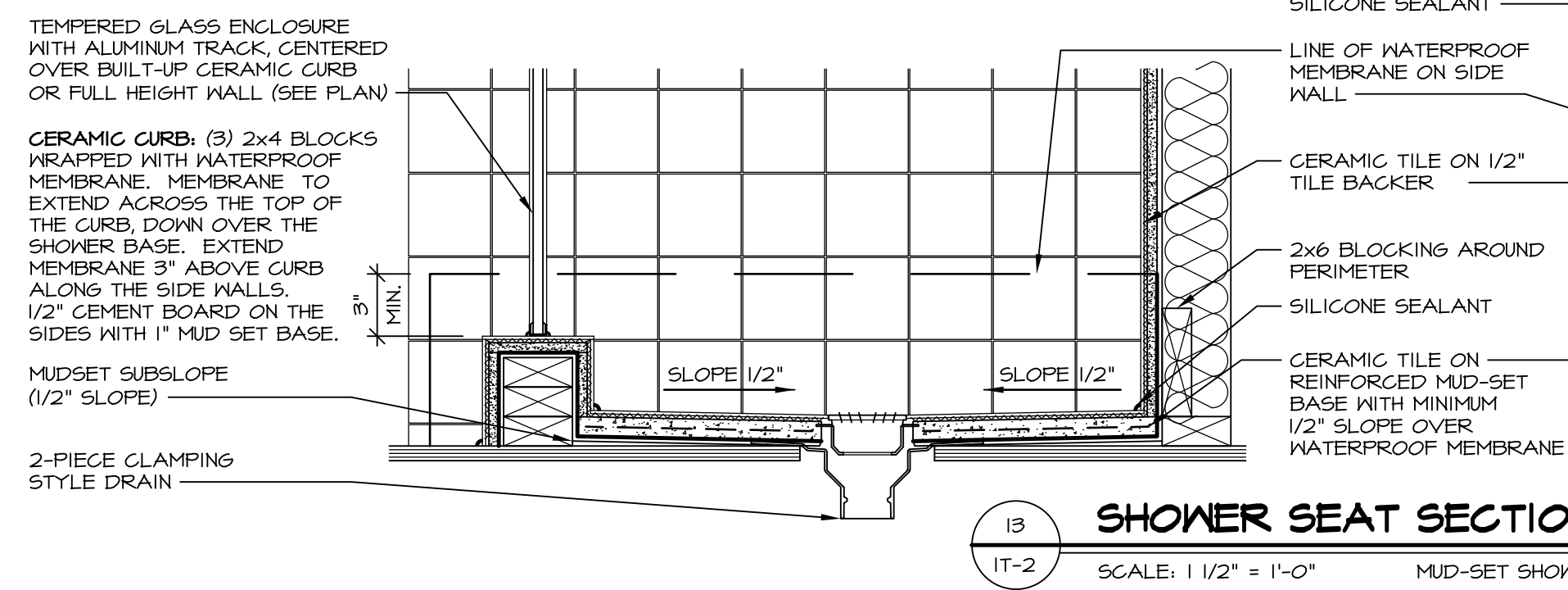


10 SHOWER SEAT SECTION
SCALE: 1/2" = 1'-0"

ALTERNATE SHOWER PAN DETAIL



12 SILL DETAIL
SCALE: 1" = 1'-0"



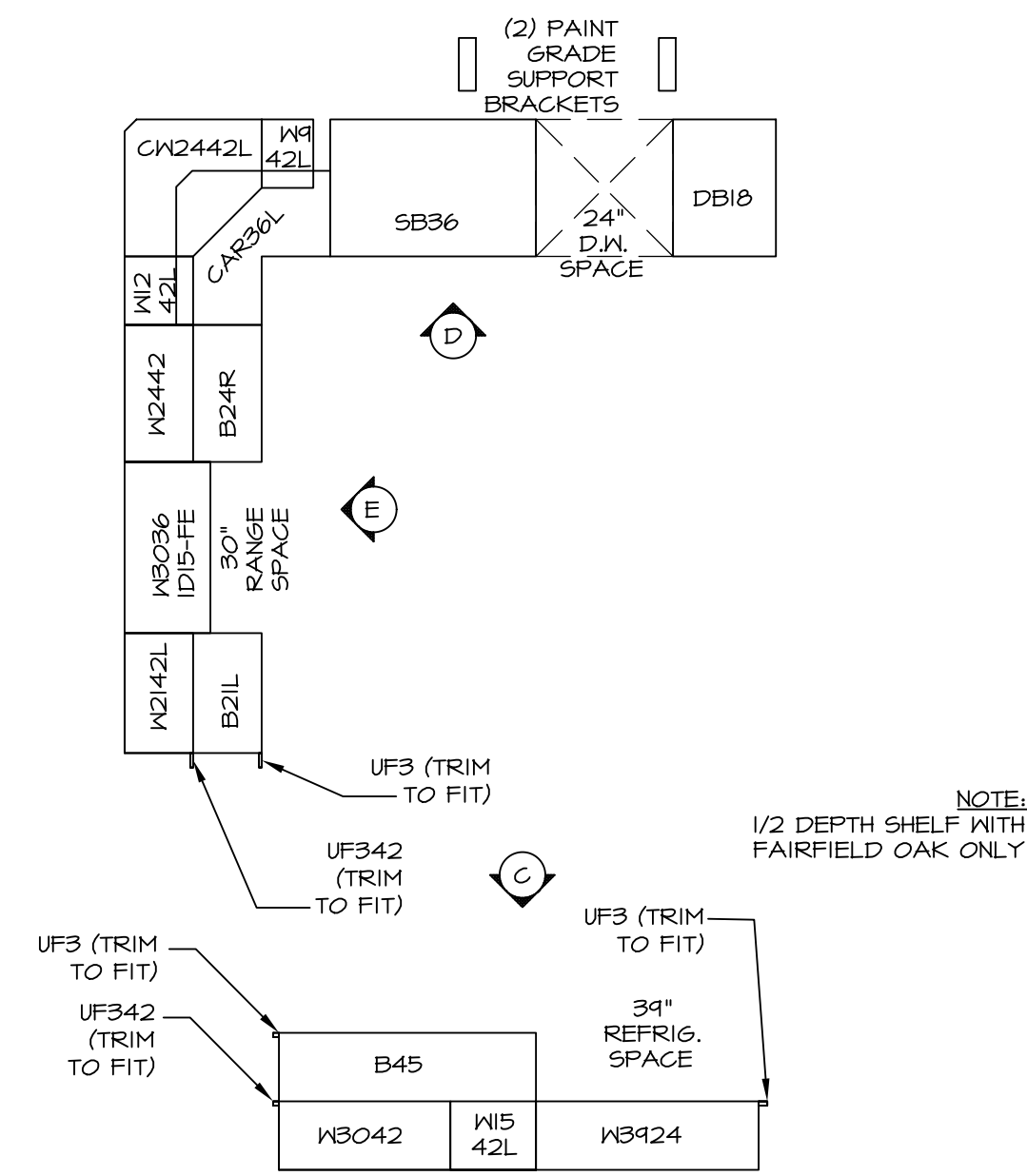
13 SHOWER SEAT SECTION
SCALE: 1/2" = 1'-0" MUD-SET SHOWER

REV. NO.	DATE	REMARKS
1	5/11/17	EBP - REVISED DETAIL I AND II TO REMOVE TUB ACCESS PANEL REF. (CBS #15 3414)
2	9/21/17	EBP - REVISED T-FLY NOTE TO CALL OUT LFS
3	9/21/17	EBP - REVISED NOTE ON DETAIL IT - REVISED ORDER OF MATERIAL PARA#4934

NVR, Inc., owner, expressly reserves its common law copyright and other property rights in these plans. These plans are not to be copied, reproduced, or otherwise used in any way without the express written consent of NVR, Inc.

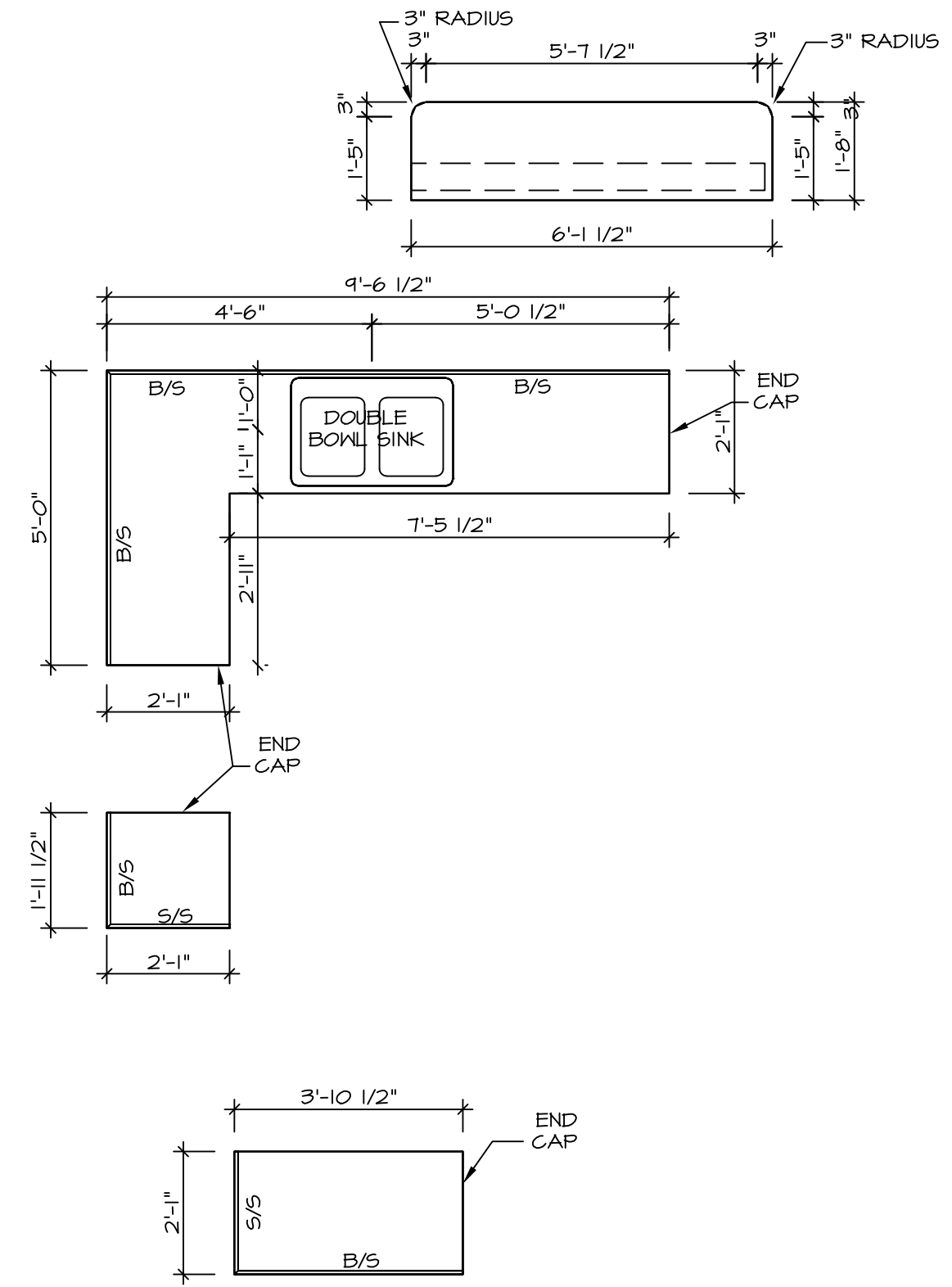
NVR
NVR, Inc.
Architectural Services
5285 West... Suite 100
Frederick, MD 21703

SET NO.	MODEL	DRAWING TITLE	BATH DETAILS
11	STANDARD DETAILS	INTERIOR TRIM DETAILS	BATH DETAILS
12	STANDARD DETAILS	INTERIOR TRIM DETAILS	BATH DETAILS
13	STANDARD DETAILS	INTERIOR TRIM DETAILS	BATH DETAILS
14	STANDARD DETAILS	INTERIOR TRIM DETAILS	BATH DETAILS



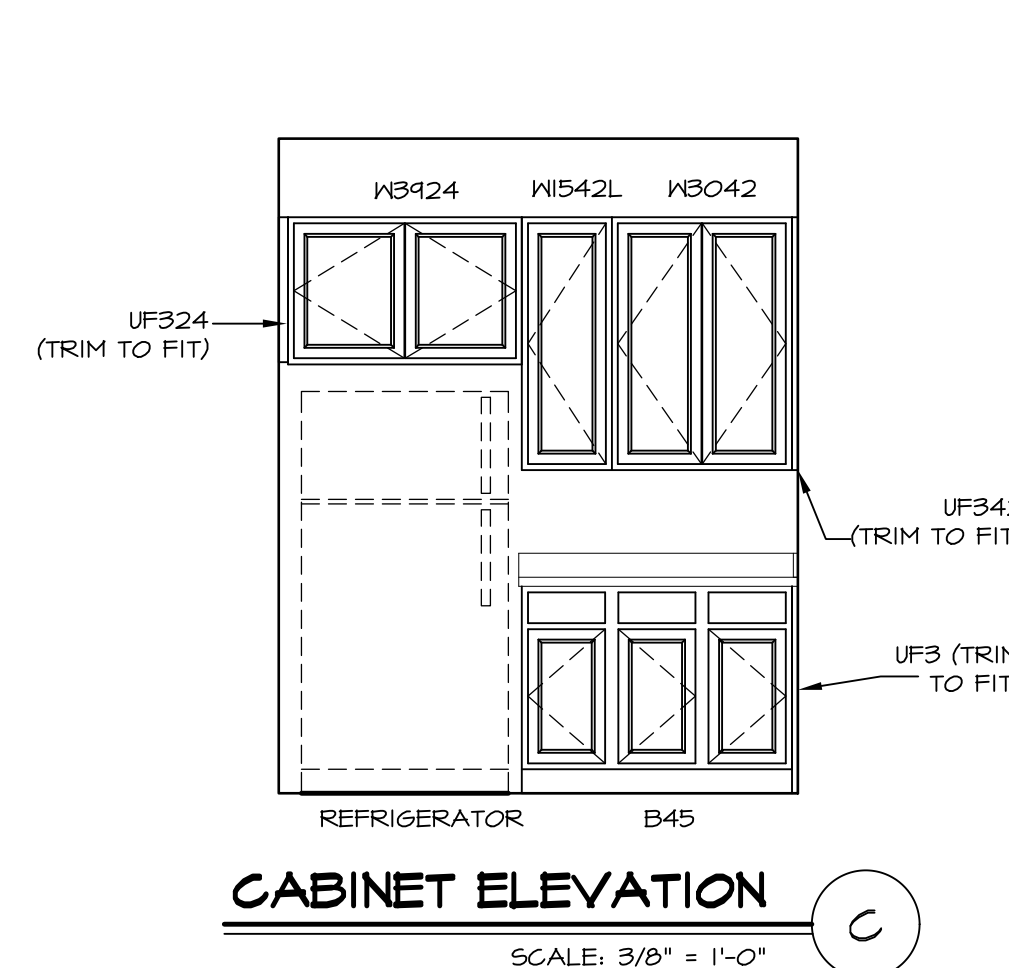
**KITCHEN CABINET
PLAN - KC-2856**

SCALE: 3/8" = 1'-0" (3) A-13



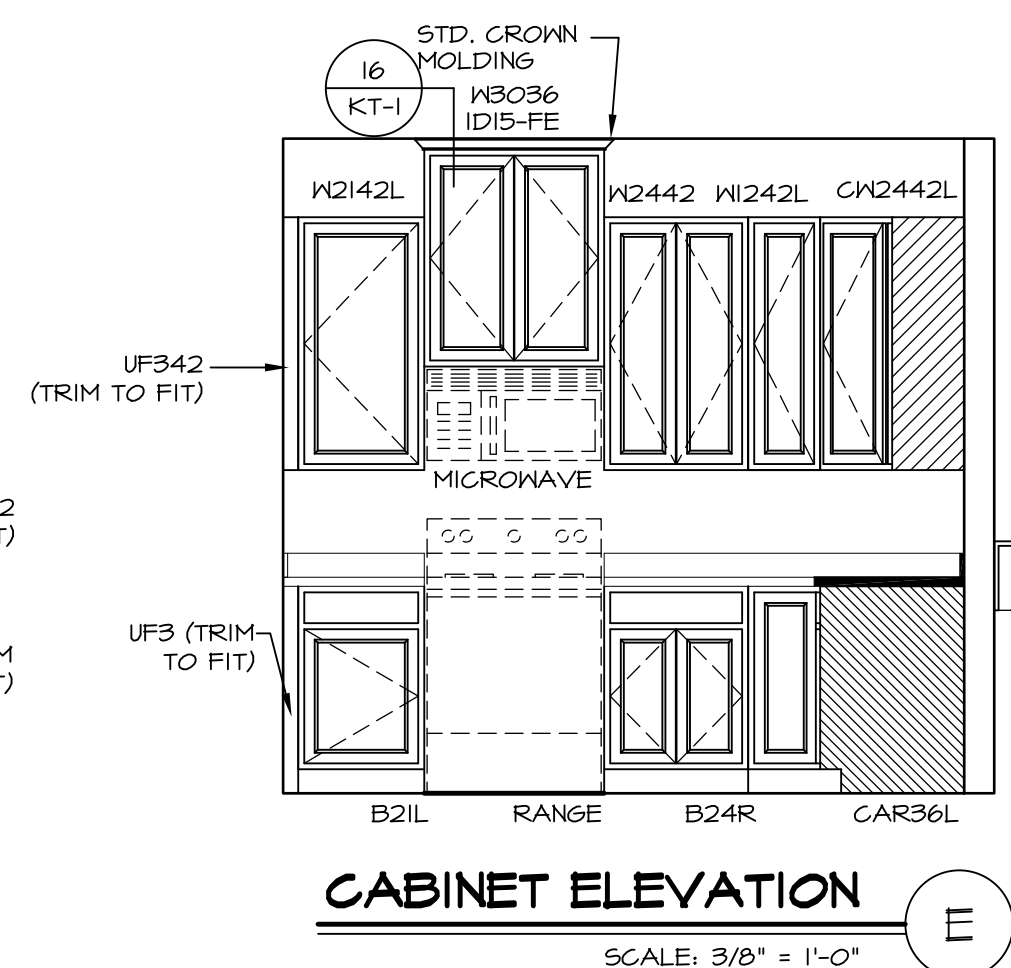
**KITCHEN COUNTERTOP
PLAN - KT-2856**

SCALE: 3/8" = 1'-0" (4) A-13



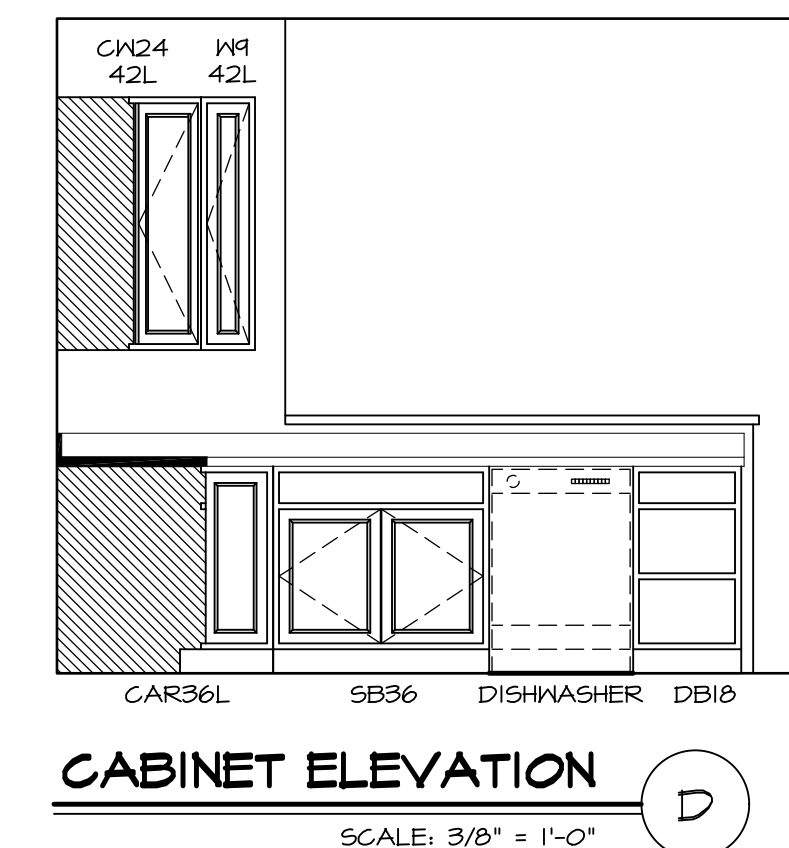
CABINET ELEVATION

SCALE: 3/8" = 1'-0" (C)



CABINET ELEVATION

SCALE: 3/8" = 1'-0" (E)



CABINET ELEVATION

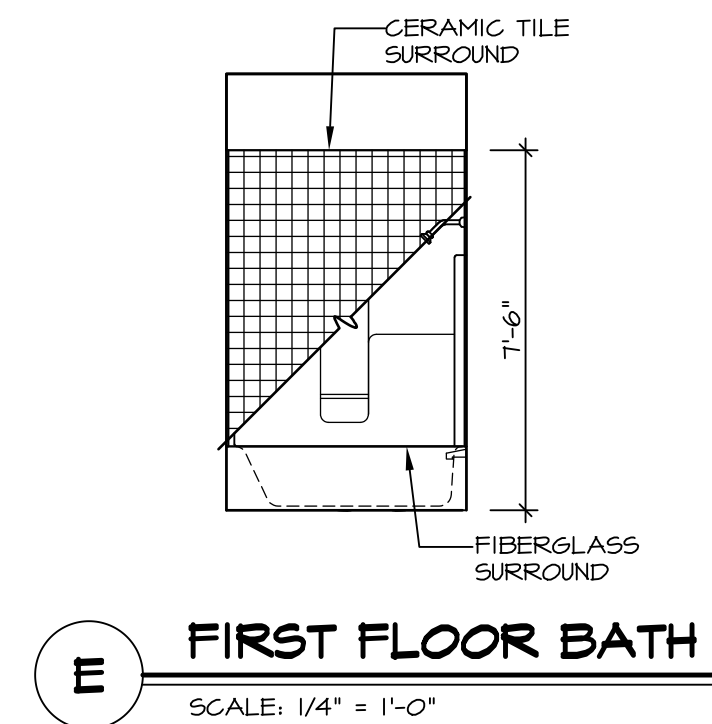
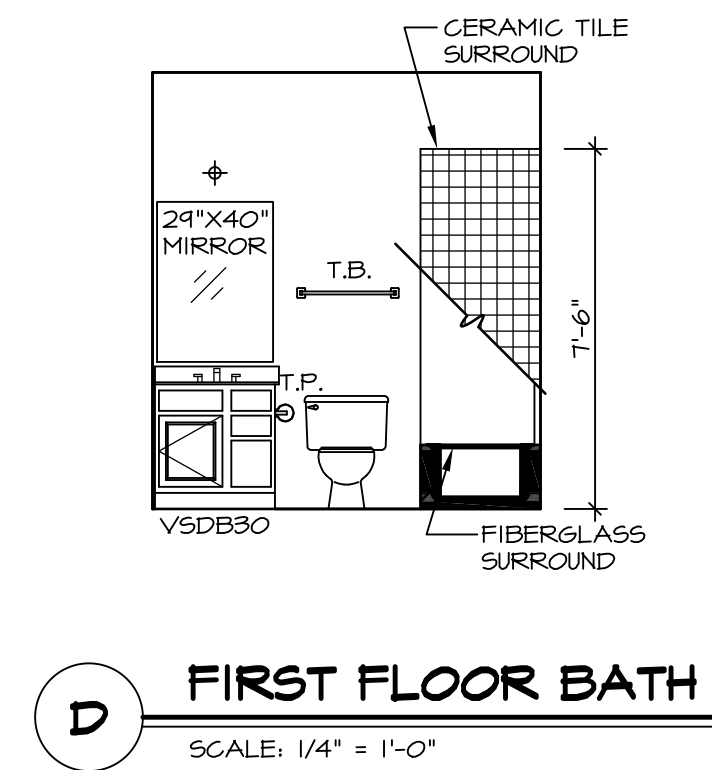
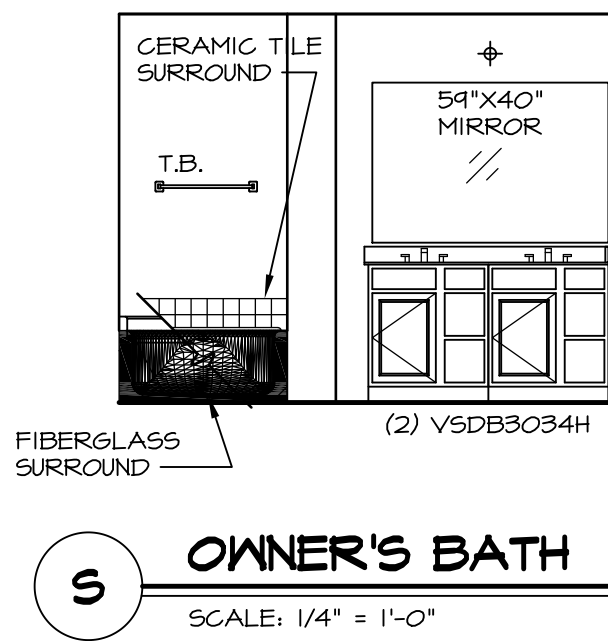
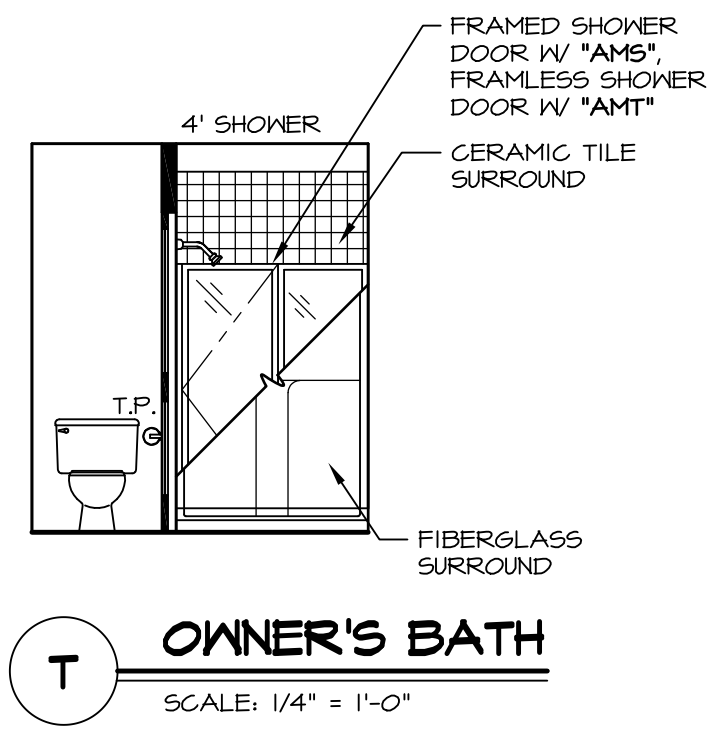
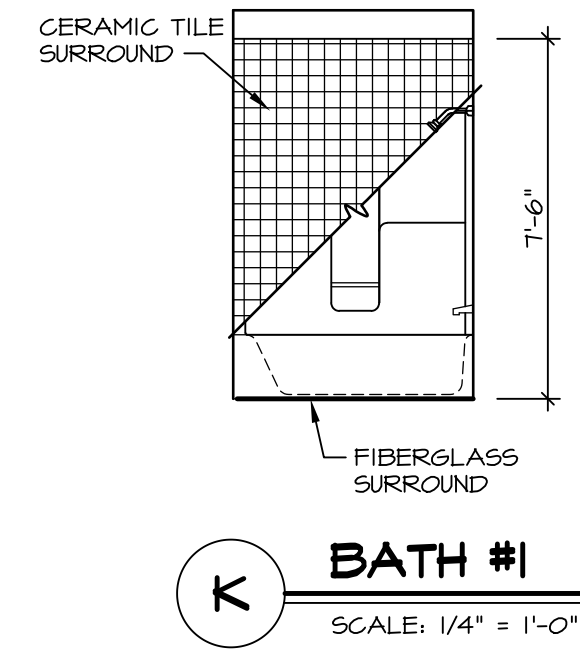
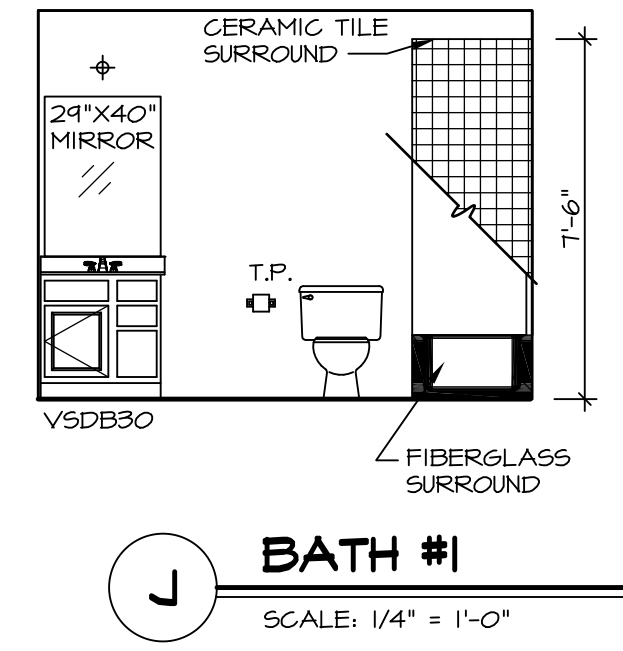
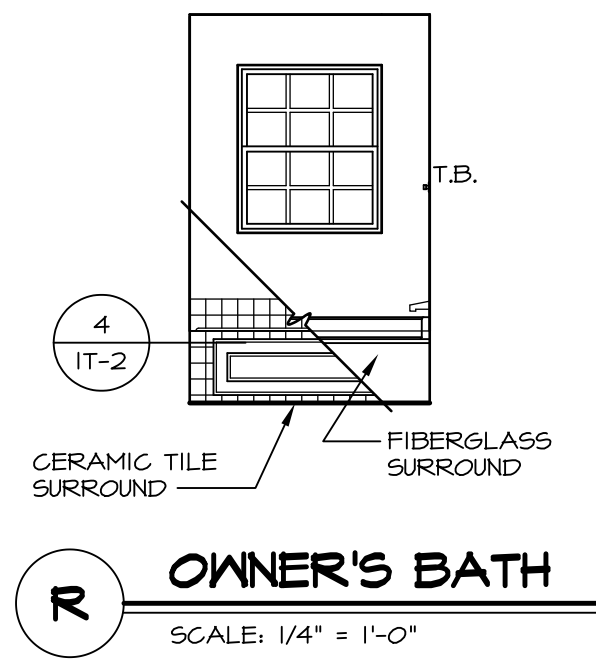
SCALE: 3/8" = 1'-0" (D)

SHEET NO.	A-13
MODEL	RAVENNA
DRAWING TITLE	KITCHEN PLAN
OPTION DESCRIPTION	
SET NO.	RVN00
VERSION	03
DRAWN BY	
DATE:	
OPTION	

NVR
NVR, Inc.
Architectural Services
Architects
21 Park Plaza, A
Frederick, MD 21702

NVR, Inc., owner, expressly reserves its copyright in these plans. These plans are not to be reproduced, changed, copied, or otherwise used in any way without the written consent of NVR, Inc.

REV. NO.	DATE	REMARKS



- NOTES:**
1. TEMPERED GLASS SHOWER ENCLOSURE WITH SWING DOOR OR OPTIONAL SLIDING DOOR BY DIVISION
 2. TUB ACCESS PANELS PROVIDED AS NEEDED. ALL MATERIALS BY DIVISION
 3. REFER TO SHEET IT-2 FOR TUB AND SHOWER DETAILS.
 4. ALL V5DB24-42 DRAWERS TO BE SET ON RIGHT HAND.
 5. BATH ELEVATIONS ARE SHOWN PER PLAN.

SHEET NO.	MODEL	SET NO.	VERSION	DRAWN BY	DATE:	OPTION	REMARKS
A-14	RAVENNA	03	03				
62							

NVR, Inc., owner, expressly reserves its copyright in these plans. These plans are not to be reproduced, changed, adapted in any way, or any part thereof, without the prior written consent of NVR, Inc.

