

LEGEND

| | |
|--|---|
| | BEARING WALL |
| | NON BEARING WALL |
| | INDICATES BEARING FROM POINT-LOAD ABOVE |
| | JACKS |
| | BEAM/HEADER |
| | PAD FOOTING |
| | STEEL COLUMN |
| | PORTAL FRAME |
| | JOIST/TRUSS |
| | LVL |
| | ENGINEERING PAGE NUMBER |

SEE FC DETAILS FOR FRAMING CONNECTORS

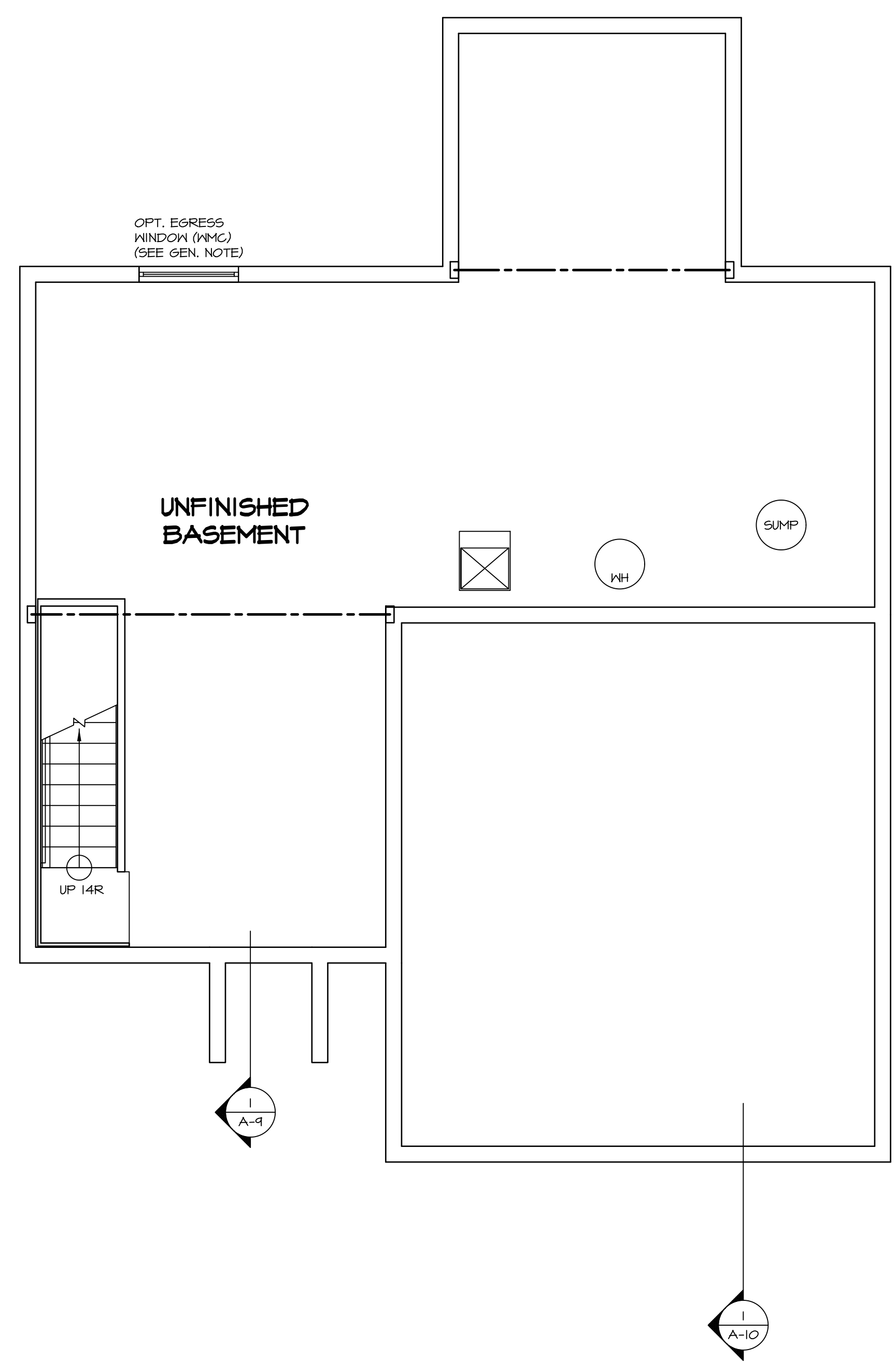
FLOOR PLAN NOTES

- ALL HEADERS ARE (2) 2x6 w/ 2x4 WALLS OR (3) 2x6 w/ 2x6 WALLS, UNLESS OTHERWISE NOTED.
- ALL HEADERS TO HAVE (1) 2x4 OR 2x6 JACK EACH END, UNLESS OTHERWISE NOTED.
- ALL EXTERIOR WALLS TO BE 4" AND ALL INTERIOR WALLS TO BE 3 1/2", UNLESS OTHERWISE NOTED.
- HATCHED AREAS INDICATE DROPPED CEILING. ALL DROPPED CEILING ARE 12" UNLESS OTHERWISE NOTED.
- SEE "BRACED WALL PANEL DETAIL SHEET" FOR SPECIAL WALL FRAMING LOCATIONS AND HEADER SIZES, IF APPLICABLE.
- SEE STANDARD DETAIL CATEGORY "IT" SHEET(S) FOR INTERIOR TRIM DETAILS.
- SEE ARCHITECTURAL DETAIL SHEET "AD" FOR HOUSE SPECIFIC INTERIOR TRIM OPTION TABLE.
- ALL WINDOWS HAVE T-O 1/2" HEADER HEIGHT UNLESS OTHERWISE NOTED.

GYPSUM NOTES

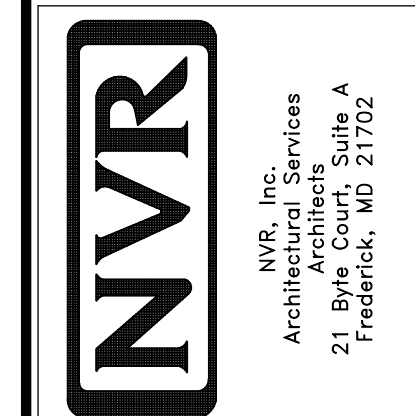
AT GARAGE:
 GYPSUM BOARD AT COMMON WALLS, CEILING, BEAM WRAPS AND SUPPORTS PER STANDARD DETAIL FA-1(b) FIRE ASSEMBLIES OR AS REQUIRED BY LOCAL CODE.

AT STAIRS:
 1/2" GYPSUM BOARD AT UNDERSIDE OF STAIRS AND WALLS IN CLOSET

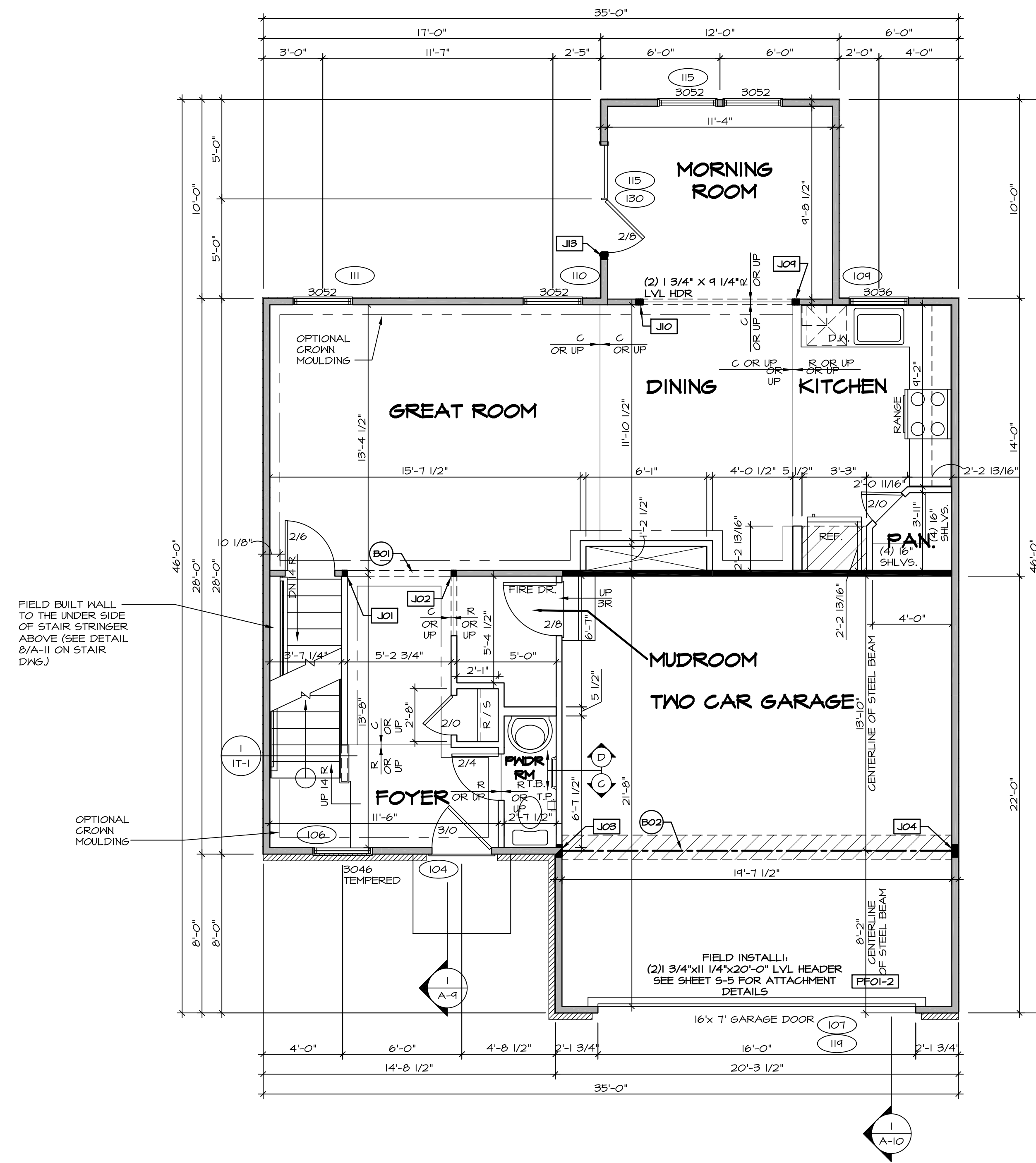


BASEMENT FLOOR PLAN
 SCALE: 1/4" = 1'-0"

| | | | | |
|---|------------------------|----------------|-----------------------------------|---------|
| SHEET NO. A-6 | MODEL SIENNA | SET NO. SIECO | REVISIONS | REMARKS |
| | | VERSION 05 | 08/05/16 N.E. - DRAWING ALIGNMENT | |
| DRAWING TITLE BASEMENT FLOOR PLAN | OPTION DESCRIPTION | DRAWN BY | | |
| | | DATE: 2/2/2015 | | |
| 23 | | OPTION | | |
| | | | | |



NVR, Inc., owner, expressly reserves its copyright in these plans. These plans are not to be reproduced, changed, adapted, or otherwise used in any way without the prior written consent of NVR, Inc.



FIRST FLOOR PLAN
SCALE: 1/4" = 1'-0"

LEGEND

- BEARING WALL
- NON BEARING WALL
- INDICATES BEARING FROM POINT-LOAD ABOVE
- JACKS
- BEAM/HEADER
- PAD FOOTING
- STEEL COLUMN
- PORTAL FRAME
- JOIST/TRUSS
- LVL
- ENGINEERING PAGE NUMBER

SEE FC DETAILS FOR FRAMING CONNECTORS

- FLOOR PLAN NOTES**
- ALL HEADERS ARE (2) 2x6 w/ 2x4 WALLS OR (3) 2x6 w/ 2x6 WALLS, UNLESS OTHERWISE NOTED.
 - ALL HEADERS TO HAVE (1) 2x4 OR 2x6 JACK AND KING STUD EACH END, UNLESS OTHERWISE NOTED.
 - ALL EXTERIOR WALLS TO BE 4" w/ OSB OR 3 1/2" w/ T-PLY, ALL INTERIOR WALLS TO BE 3 1/2", UNLESS OTHERWISE NOTED.
 - HATCHED AREAS INDICATE DROPPED CEILING. ALL DROPPED CEILING ARE 12" UNLESS OTHERWISE NOTED.
 - SEE 'BRACED WALL PANEL DETAIL SHEET' FOR SPECIAL WALL FRAMING LOCATIONS AND HEADER SIZES, IF APPLICABLE.
 - SEE STANDARD DETAIL CATEGORY 'IT' SHEET(S) FOR INTERIOR TRIM DETAILS.
 - SEE ARCHITECTURAL DETAIL SHEET 'AD' FOR HOUSE SPECIFIC INTERIOR TRIM OPTION TABLE.
 - ALL WINDOWS HAVE 1'-0 1/2" HEADER HEIGHT UNLESS OTHERWISE NOTED.
 - ALL HEADERS IN NON-BEARING WALLS SHALL BE A SINGLE FLAT 2x4 OR 2x6 ATTACHED TO CRIPPLES ABOVE, UNLESS OTHERWISE NOTED.

- GYPSUM NOTES**
- AT GARAGE:
GYPSUM BOARD AT COMMON WALLS, CEILING, BEAM WRAPS AND SUPPORTS PER STANDARD DETAIL FA-1(b) FIRE ASSEMBLIES OR AS REQUIRED BY LOCAL CODE.
- AT STAIRS:
1/2" GYPSUM BOARD AT UNDERSIDE OF STAIRS AND WALLS IN CLOSET

FIRST FLOOR JACK SCHEDULE

| IDENTIFIER | DESCRIPTION | OPTIONS | ENG. NUM. | FIELD INSTALLED |
|------------|-------------------------------|-----------|-----------|-----------------|
| J01 | JACK - (2) 2X4 SFF STUD GRADE | | 103 | |
| J02 | JACK - (2) 2X4 SFF STUD GRADE | | 103 | |
| J03 | JACK - (5) 2X4 SFF | GCB / GCC | 105 | |
| J04 | JACK - (5) 2X4 SFF | GCB / GCC | 105 | |
| J04 | JACK - (3) 2X4 SFF STUD GRADE | MAA | 103 | |
| J10 | JACK - (3) 2X4 SFF STUD GRADE | MAA | 103 | |
| J13 | JACK - (3) 2X4 SFF STUD GRADE | MAA / SRW | 116 | |

- LVL PLY TO PLY FASTENING SCHEDULE:**
- 1.A - (2) PLY UP TO AND INCLUDING 11 7/8" TALL; FASTEN PLYS W/ (2) ROWS 16D NAILS AT 12" O.C.
 - 2.A - (2) PLY 14" TO AND 18" TALL (INCLUSIVE); FASTEN PLYS W/ (3) ROWS 16D NAILS AT 12" O.C.
 - 3.A - (3) PLY 20" TALL AND OVER; FASTEN PLYS W/ (4) ROWS 16D NAILS AT 12" O.C.
 - 4.A - (3) PLY UP TO AND INCLUDING 11 7/8" TALL; FASTEN PLYS W/ (2) ROWS 16D NAILS AT 12" O.C. FROM EACH SIDE
 - 5.A - (3) PLY 14" TO AND 18" TALL (INCLUSIVE); FASTEN PLYS W/ (3) ROWS 16D NAILS AT 12" O.C. FROM EACH SIDE
 - 6.A - (3) PLY 20" TALL AND OVER; FASTEN PLYS W/ (4) ROWS 16D NAILS AT 12" O.C. FROM EACH SIDE

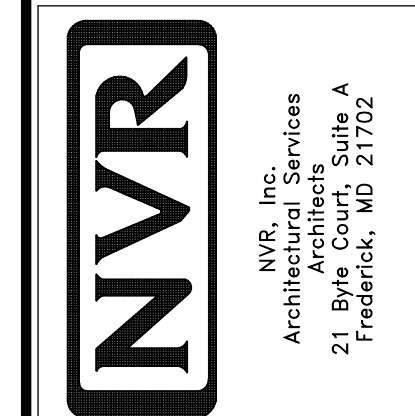
FIELD INSTALLED FIRST FLOOR BEAM/HEADER SCHEDULE

| IDENTIFIER | DESCRIPTION | LENGTH | OPTIONS | ENG. NUM. | REMARKS |
|------------|--------------------------|-----------|-----------------------|-----------|-------------------------|
| B01 | INT HEADER - 2X8 - 2 PLY | 5'-8 3/4" | | 103 | |
| B02 | BEAM STEEL - W12X26 | 20'-2" | SRI / SXS / FBA / FGA | 105 | |
| PFOI-2 | LVL - 11-04 | 20'-0" | GCB | 119 | PORTAL FRAME, 2 PLY, 1A |

REMARKS

| REV. NO. | DATE | DESCRIPTION |
|----------|----------|--------------------------|
| 1 | 08/05/16 | N.L. - DRAWING ALIGNMENT |
| 2 | 7/7/17 | DRH - T-PLY CONVERSION |

NVR, Inc., owner, expressly warrants its common law copyright in these plans. These plans are not to be reproduced, changed, copied, or otherwise used in any way without the prior written consent of NVR, Inc.



SET NO. SIECO
VERSION 05
DRAWN BY
DATE: 2/2/2015
OPTION

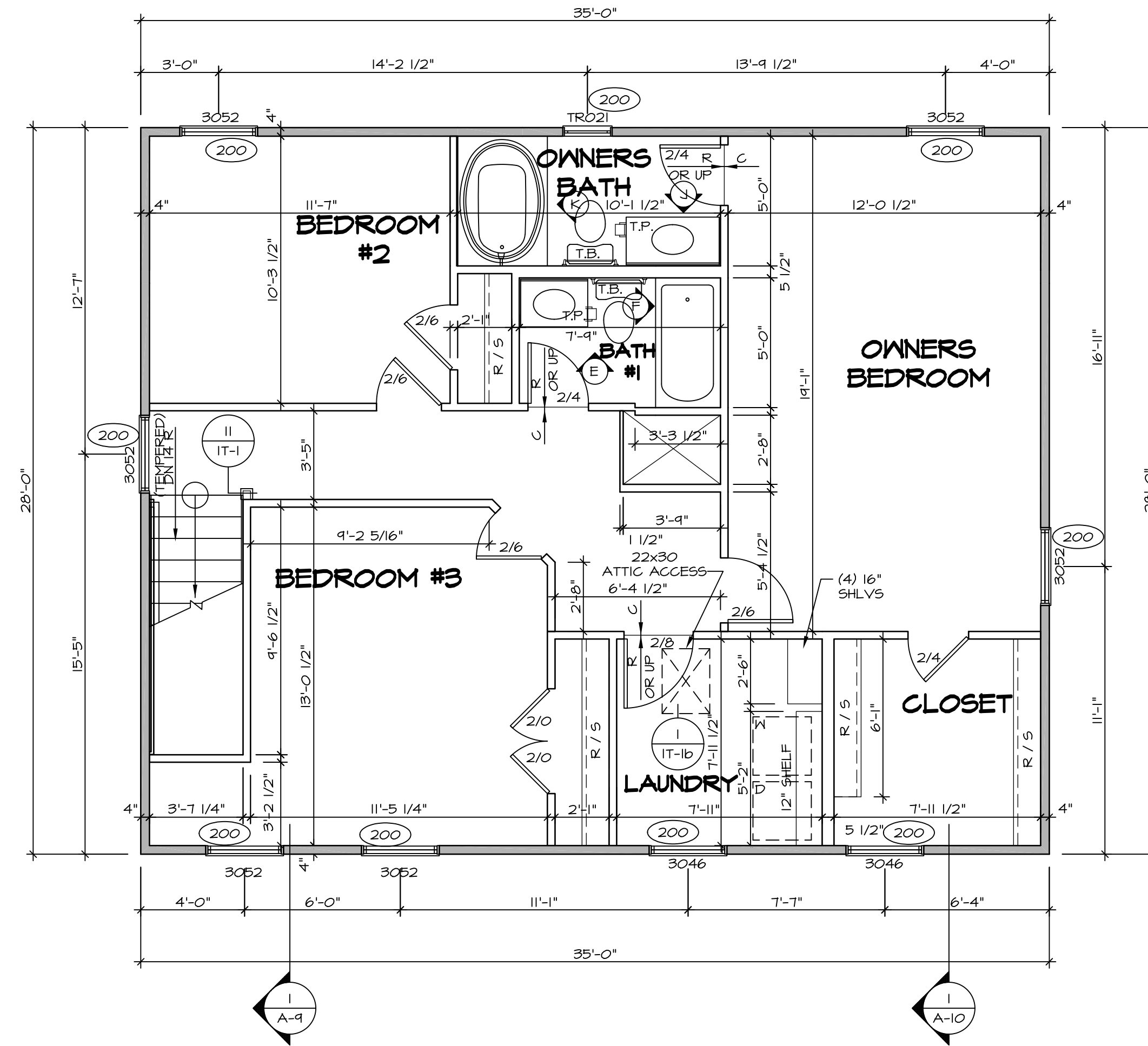
MODEL: SIENNA
DRAWING TITLE: FIRST FLOOR PLAN
OPTION DESCRIPTION

SHEET NO. A-7
24

| LEGEND | |
|---------------------------------------|---|
| | BEARING WALL |
| | NON BEARING WALL |
| | INDICATES BEARING FROM POINT-LOAD ABOVE |
| | JACKS |
| | BEAM/HEADER |
| | PAD FOOTING |
| | STEEL COLUMN |
| | PORTAL FRAME |
| | JOIST/TRUSS |
| | LVL |
| | ENGINEERING PAGE NUMBER |
| SEE FC DETAILS FOR FRAMING CONNECTORS | |

FLOOR PLAN NOTES

- ALL HEADERS ARE (2) 2x6 w/ 2x4 WALLS OR (3) 2x6 w/ 2x6 WALLS, UNLESS OTHERWISE NOTED.
- ALL HEADERS TO HAVE (1) 2x4 OR 2x6 JACK AND KING STUD EACH END, UNLESS OTHERWISE NOTED.
- ALL EXTERIOR WALLS TO BE 4" w/ OSB OR 3 1/2" w/ T-PLY, ALL INTERIOR WALLS TO BE 3 1/2", UNLESS OTHERWISE NOTED.
- HATCHED AREAS INDICATE DROPPED CEILING. ALL DROPPED CEILING ARE 12" UNLESS OTHERWISE NOTED.
- SEE "BRACED WALL PANEL DETAIL SHEET" FOR SPECIAL WALL FRAMING LOCATIONS AND HEADER SIZES, IF APPLICABLE.
- SEE STANDARD DETAIL CATEGORY "IT" SHEET(S) FOR INTERIOR TRIM DETAILS.
- SEE ARCHITECTURAL DETAIL SHEET "AD" FOR HOUSE SPECIFIC INTERIOR TRIM OPTION TABLE.
- ALL WINDOWS HAVE 7'-0 1/2" HEADER HEIGHT UNLESS OTHERWISE NOTED.
- ALL HEADERS IN NON-BEARING WALLS SHALL BE A SINGLE FLAT 2X4 OR 2X6 ATTACHED TO CRIPPLES ABOVE, UNLESS OTHERWISE NOTED.



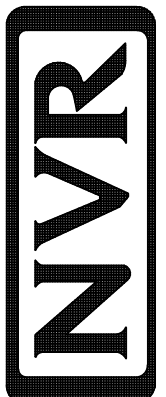
SECOND FLOOR PLAN
SCALE: 1/4" = 1'-0"

REMARKS

REV. NO. DATE

1 08/05/16 N - DRAWING ALIGNMENT
2 7/7/17 DRH - T-PLY CONVERSION

NVR, Inc., owner, expressly reserves its copyright in these plans. These plans are not to be reproduced, changed, copied in any way, or otherwise used without the written consent of NVR, Inc.



NVR, Inc.
Architectural Services
Architects
21 Park Plaza, Suite A
Frederick, MD 21702

SET NO. SIECO

VERSION 05

DRAWN BY

DATE: 2/2/2015

OPTION

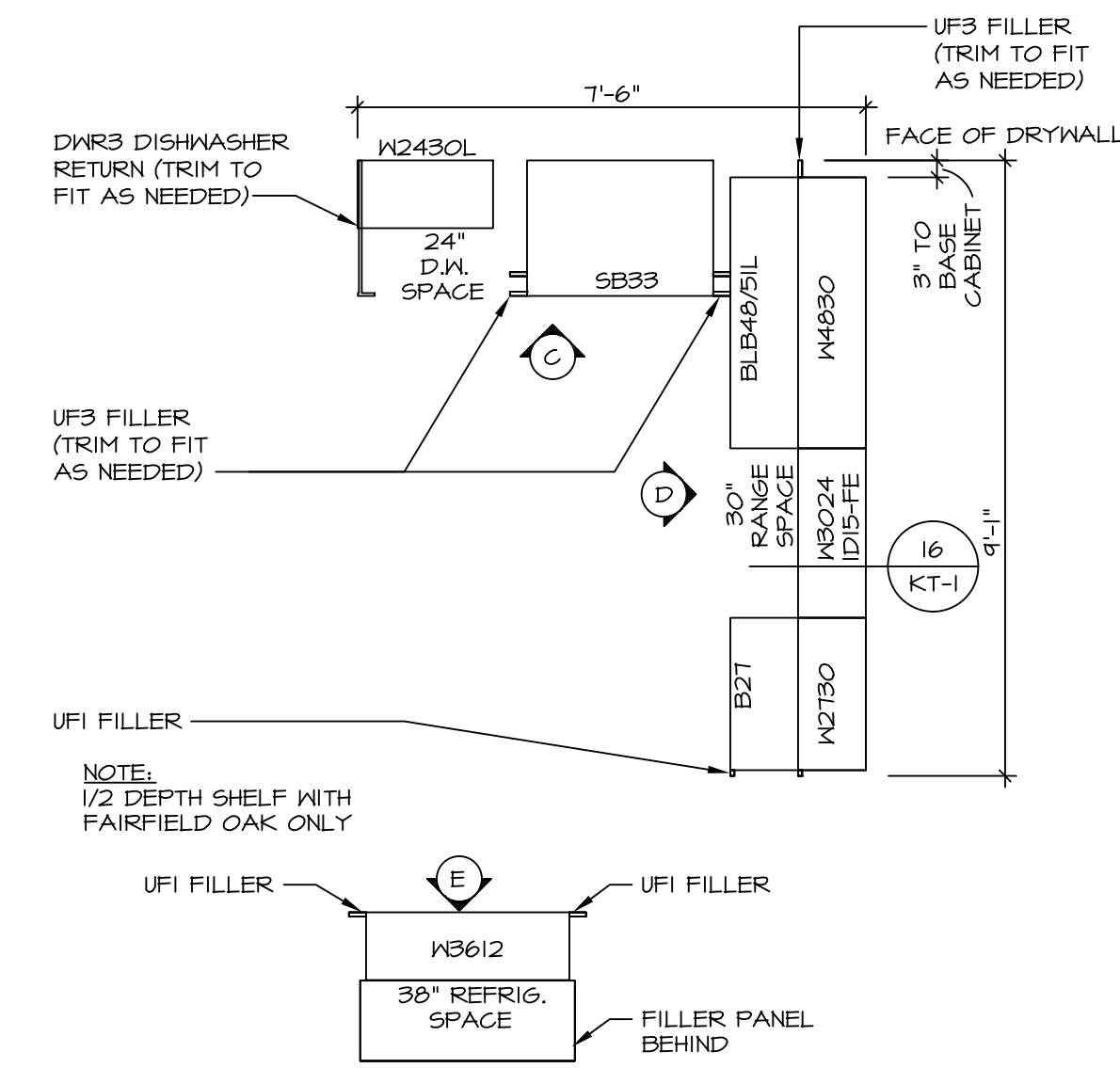
MODEL
SIENNA

DRAWING TITLE
SECOND FLOOR PLAN

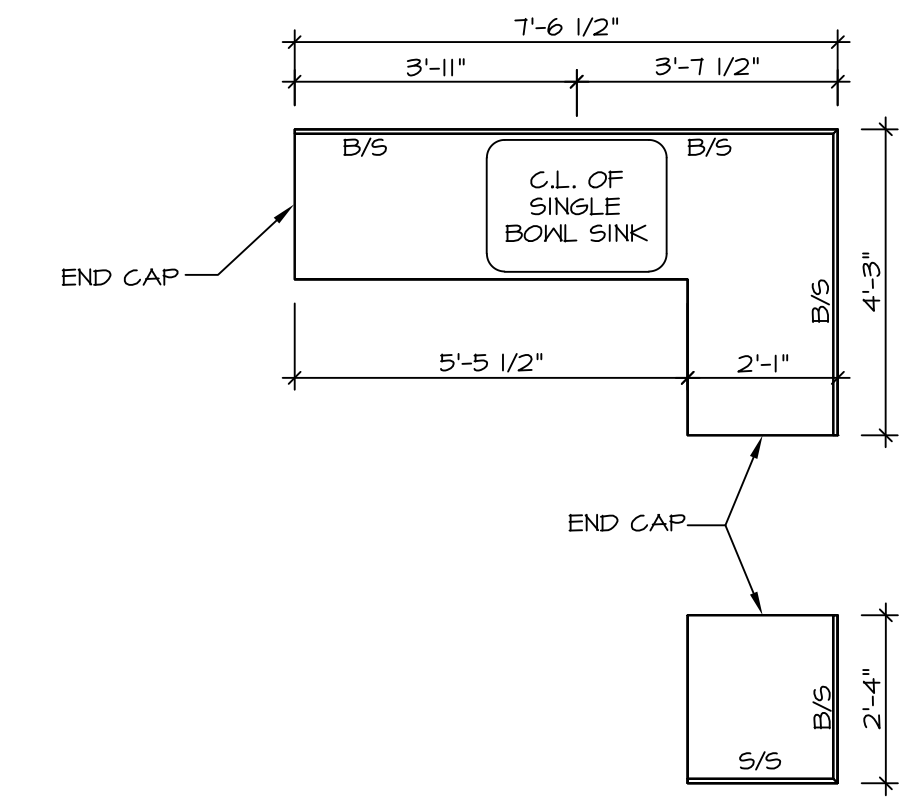
OPTION DESCRIPTION

SHEET NO.
A-8

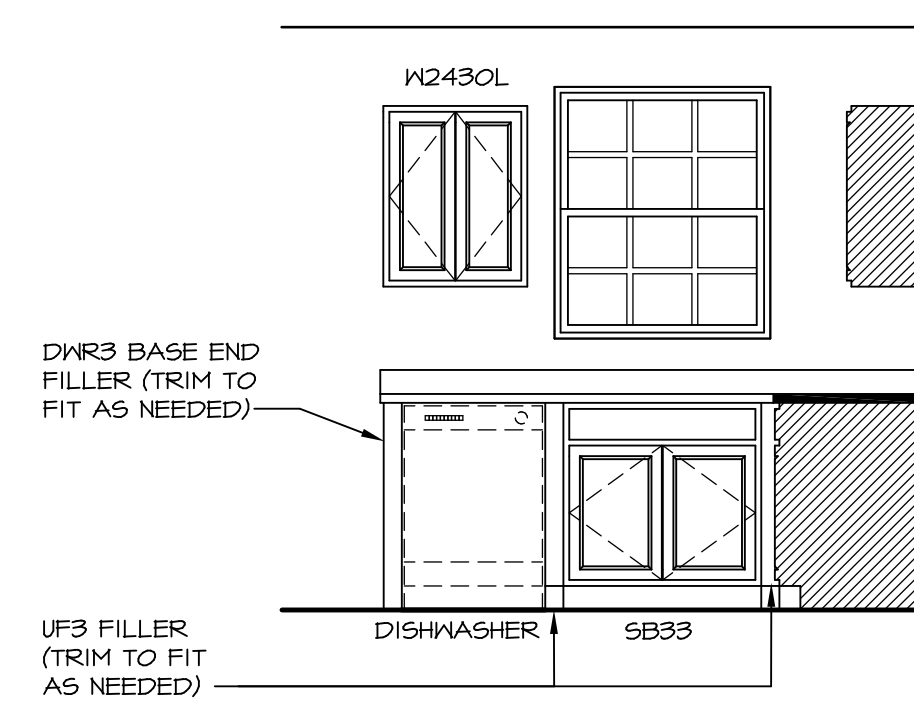
26



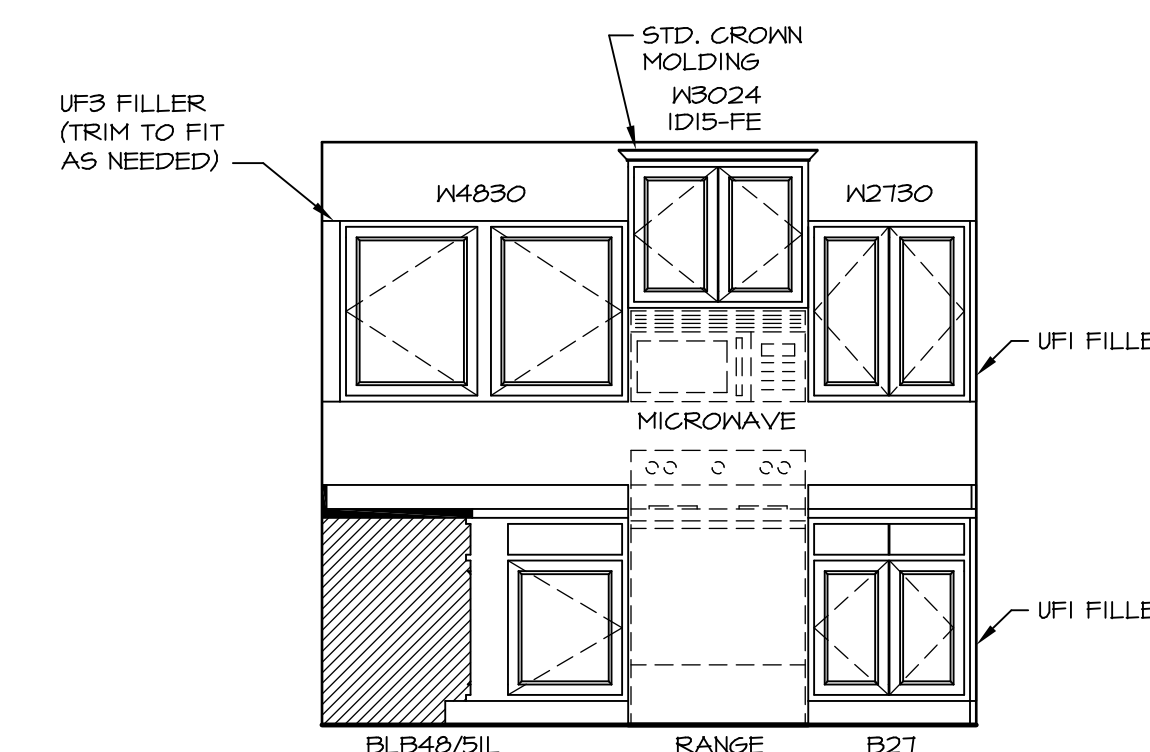
1 CABINET PLAN - KC-1924
 SCALE: 3/8" = 1'-0" STANDARD KITCHEN W/
 30" WALL CABINETS



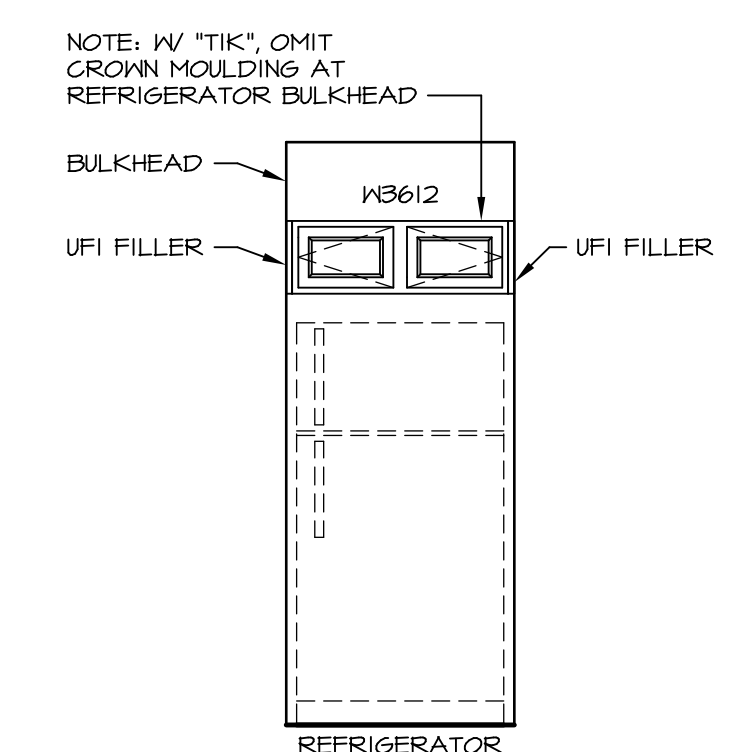
3 COUNTERTOP PLAN - KT-1924
 SCALE: 3/8" = 1'-0" STANDARD KITCHEN W/
 30" WALL CABINETS



C KITCHEN ELEVATION
 SCALE: 3/8" = 1'-0"



D KITCHEN ELEVATION
 SCALE: 3/8" = 1'-0"



E KITCHEN ELEVATION
 SCALE: 3/8" = 1'-0"

REMARKS

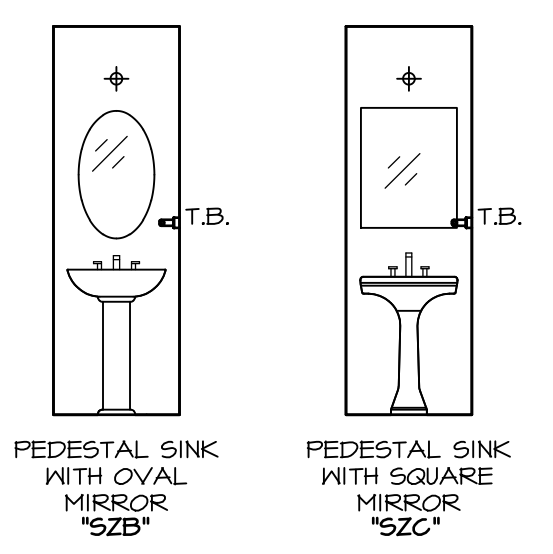
REV. NO. DATE

NVR, Inc., owner, expressly reserves its common law copyright in these drawings. These drawings are not to be reproduced, changed, adapted, or otherwise used in any way without the prior written consent of NVR, Inc.

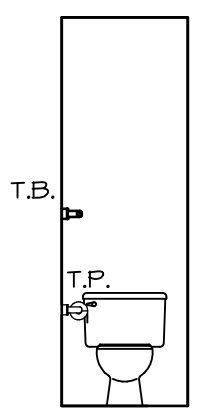


NVR, Inc.
 Architectural Services
 Architects
 21 Park Vista, A
 Frederick, MD 21702

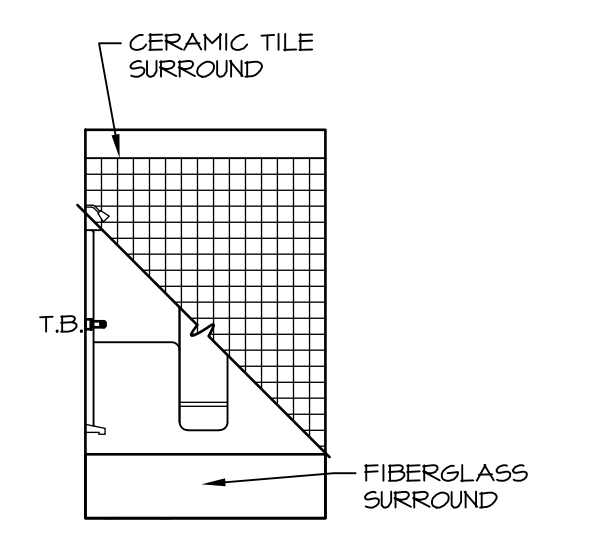
| | |
|--------------------|----------|
| MODEL | SIENNA |
| DRAWING TITLE | KITCHENS |
| OPTION DESCRIPTION | |
| SHEET NO. | A-12 |
| SET NO. SIECO | 05 |
| VERSION | 05 |
| DRAWN BY | |
| DATE | 2/2/2015 |
| OPTION | |
| | 32 |



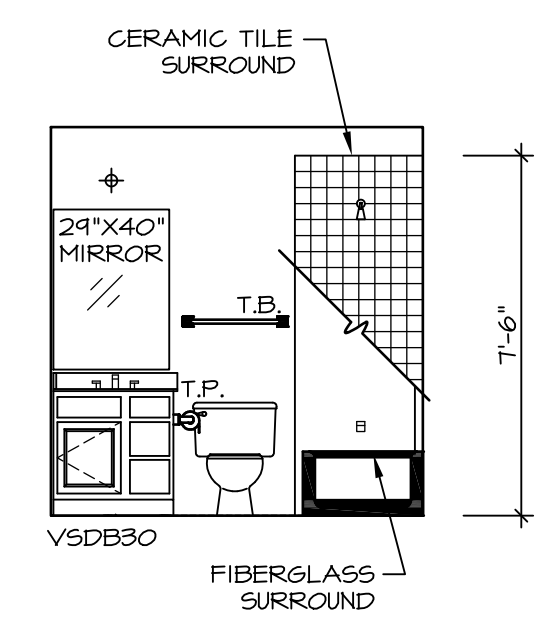
D POWDER ROOM
SCALE: 1/4" = 1'-0"



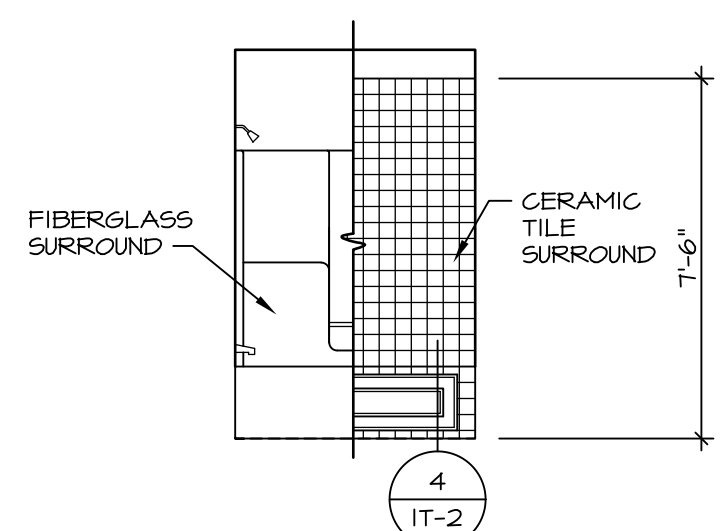
C POWDER ROOM
SCALE: 1/4" = 1'-0"



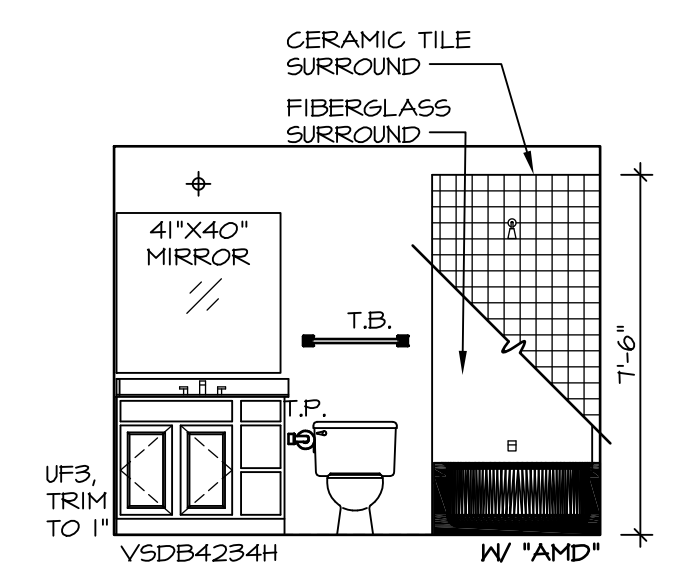
F BATH #1
SCALE: 1/4" = 1'-0"



E BATH #1
SCALE: 1/4" = 1'-0"



K OWNER'S BATH (AMD)
SCALE: 1/4" = 1'-0"



J OWNER'S BATH (AMD)
SCALE: 1/4" = 1'-0"

NOTES:

1. TEMPERED GLASS SHOWER ENCLOSURE WITH SWING DOOR OR OPTIONAL SLIDING DOOR BY DIVISION
2. TUB ACCESS PANELS PROVIDED AS NEEDED, ALL MATERIALS BY DIVISION
3. REFER TO SHEET D-II FOR TUB AND SHOWER DETAILS.
4. ALL VSDB24-42 DRAWERS TO BE SET ON RIGHT HAND.
5. BATH ELEVATIONS ARE SHOWN PER PLAN.

| | | | | | |
|-----------|--|---------|---------|--------|--------|
| SHEET NO. | MODEL | SET NO. | VERSION | DATE | OPTION |
| A-13 | SIENNA DRAWING TITLE BATH ELEVATIONS | 05 | 05 | 4/2/15 | CSE |
| 33 | OPTION DESCRIPTION | | | | |

NVR
NVR, Inc.
Architectural Services
Architects
21 Bay Plaza, Suite A
Frederick, MD 21702

NVR, Inc., owner, expressly reserves its copyright in these plans. These plans are not to be reproduced, changed, copied, or otherwise used in any way without the written consent of NVR, Inc.

| | | |
|----------|----------|--------------------------|
| REV. NO. | DATE | REMARKS |
| 1 | 08/05/16 | N.L. - DRAWING ALIGNMENT |