

**BASEMENT FLOOR PLAN**  
SCALE: 1/4" = 1'-0"

**LEGEND**

	BEARING WALL
	NON BEARING WALL
	INDICATES BEARING FROM POINT-LOAD ABOVE
	JACKS
	BEAM/HEADER
	PAD FOOTING
	STEEL COLUMN
	PORTAL FRAME
	JOIST/TRUSS
	LVL
	ENGINEERING PAGE NUMBER

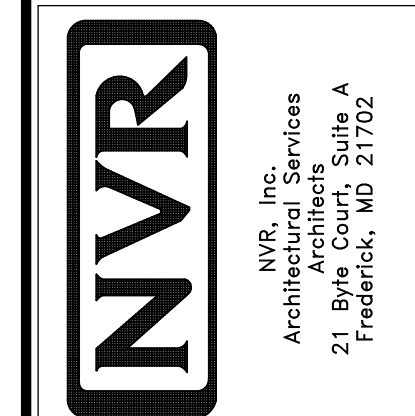
SEE FC DETAILS FOR FRAMING CONNECTORS

- FLOOR PLAN NOTES**
- ALL HEADERS ARE (2) 2x6 w/ 2x4 WALLS OR (3) 2x6 w/ 2x6 WALLS, UNLESS OTHERWISE NOTED.
  - ALL HEADERS TO HAVE (1) 2x4 OR 2x6 JACK EACH END, UNLESS OTHERWISE NOTED.
  - ALL EXTERIOR WALLS TO BE 4" AND ALL INTERIOR WALLS TO BE 3 1/2", UNLESS OTHERWISE NOTED.
  - HATCHED AREAS INDICATE DROPPED CEILING. ALL DROPPED CEILING ARE 12" UNLESS OTHERWISE NOTED.
  - SEE "BRACED WALL PANEL DETAIL SHEET" FOR SPECIAL WALL FRAMING LOCATIONS AND HEADER SIZES, IF APPLICABLE.
  - SEE STANDARD DETAIL CATEGORY "IT" SHEET(S) FOR INTERIOR TRIM DETAILS.
  - SEE ARCHITECTURAL DETAIL SHEET "AD" FOR HOUSE SPECIFIC INTERIOR TRIM OPTION TABLE.
  - ALL WINDOWS HAVE 7'-0 1/2" HEADER HEIGHT UNLESS OTHERWISE NOTED.

- GYPSUM NOTES**
- AT GARAGE:  
GYPSUM BOARD AT COMMON WALLS, CEILING, BEAM WRAPS AND SUPPORTS PER STANDARD DETAIL FA-1(b) FIRE ASSEMBLIES OR AS REQUIRED BY LOCAL CODE.
- AT STAIRS:  
1/2" GYPSUM BOARD AT UNDERSIDE OF STAIRS AND WALLS IN CLOSET

SHEET NO. <b>A-6</b>	MODEL <b>SIENNA</b>	DRAWING TITLE <b>BASEMENT FLOOR PLAN</b>	OPTION DESCRIPTION	SET NO. SIECO VERSION 05	REV. NO. DATE	REMARKS
				DRAWN BY	08/05/16 NL - DRAWING ALIGNMENT	
				DATE: 2/2/2015		
				OPTION		
				23		

NVR, Inc., owner, expressly reserves its copyright in these plans. These plans are not to be reproduced, changed, copied, or otherwise used in any way without the written consent of NVR, Inc.

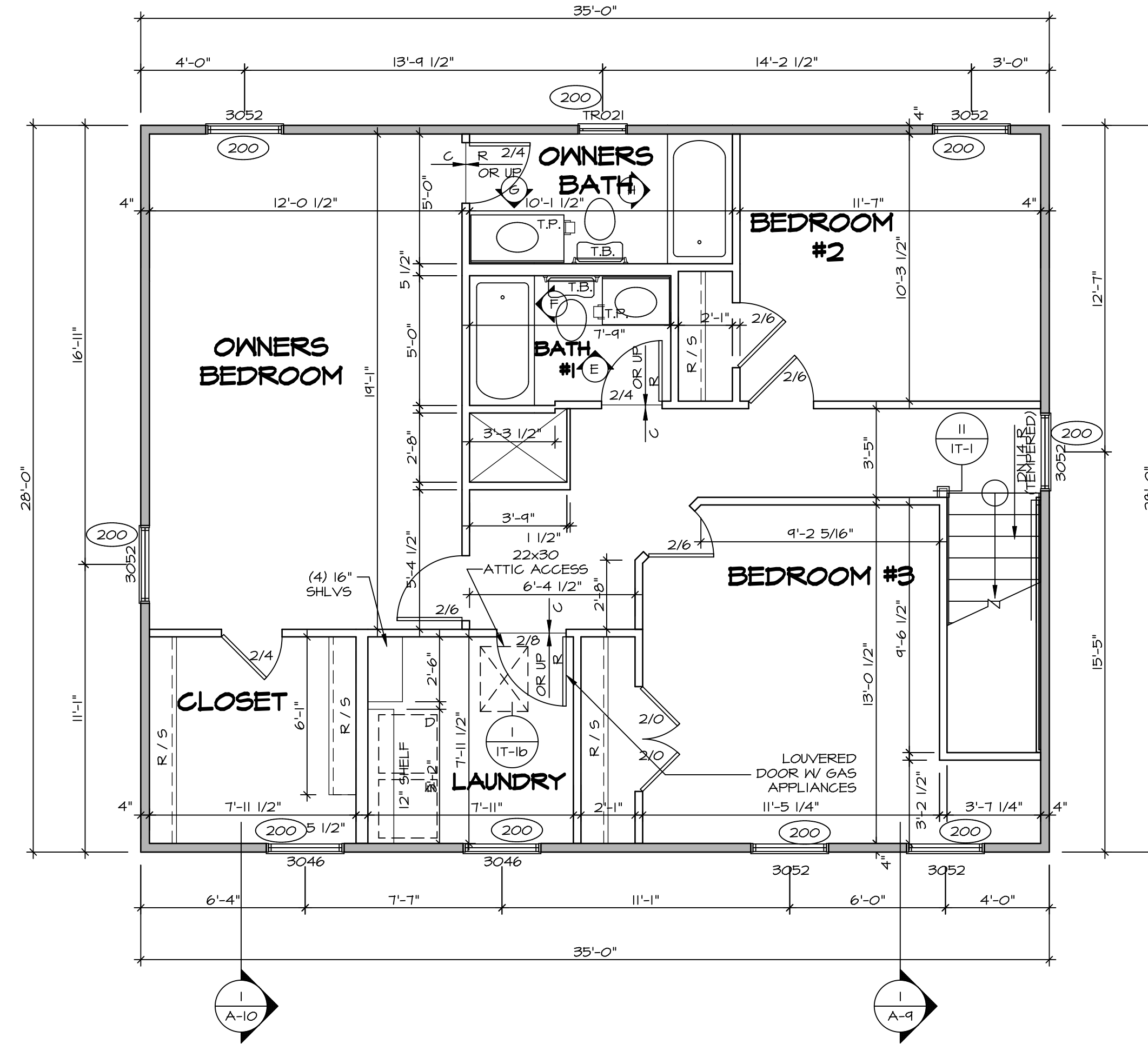




LEGEND	
	BEARING WALL
	NON BEARING WALL
	INDICATES BEARING FROM POINT-LOAD ABOVE
	JACKS
	BEAM/HEADER
	PAD FOOTING
	STEEL COLUMN
	PORTAL FRAME
	JOIST/TRUSS
	LVL
	ENGINEERING PAGE NUMBER
SEE FC DETAILS FOR FRAMING CONNECTORS	

**FLOOR PLAN NOTES**

- ALL HEADERS ARE (2) 2x6 w/ 2x4 WALLS OR (3) 2x6 w/ 2x6 WALLS, UNLESS OTHERWISE NOTED.
- ALL HEADERS TO HAVE (1) 2x4 OR 2x6 JACK AND KING STUD EACH END, UNLESS OTHERWISE NOTED.
- ALL EXTERIOR WALLS TO BE 4" w/ OSB OR 3 1/2" w/ T-PLY, ALL INTERIOR WALLS TO BE 3 1/2", UNLESS OTHERWISE NOTED.
- HATCHED AREAS INDICATE DROPPED CEILING. ALL DROPPED CEILING ARE 12" UNLESS OTHERWISE NOTED.
- SEE "BRACED WALL PANEL DETAIL SHEET" FOR SPECIAL WALL FRAMING LOCATIONS AND HEADER SIZES, IF APPLICABLE.
- SEE STANDARD DETAIL CATEGORY "IT" SHEET(S) FOR INTERIOR TRIM DETAILS.
- SEE ARCHITECTURAL DETAIL SHEET "AD" FOR HOUSE SPECIFIC INTERIOR TRIM OPTION TABLE.
- ALL WINDOWS HAVE 7'-0 1/2" HEADER HEIGHT UNLESS OTHERWISE NOTED.
- ALL HEADERS IN NON-BEARING WALLS SHALL BE A SINGLE FLAT 2X4 OR 2X6 ATTACHED TO CRIPPLES ABOVE, UNLESS OTHERWISE NOTED.



**SECOND FLOOR PLAN**  
SCALE: 1/4" = 1'-0"

REMARKS

REV. NO.	DATE	DESCRIPTION
1	08/05/16	N.L. - DRAWING ALIGNMENT
2	7/7/17	DRH - T-PLY CONVERSION

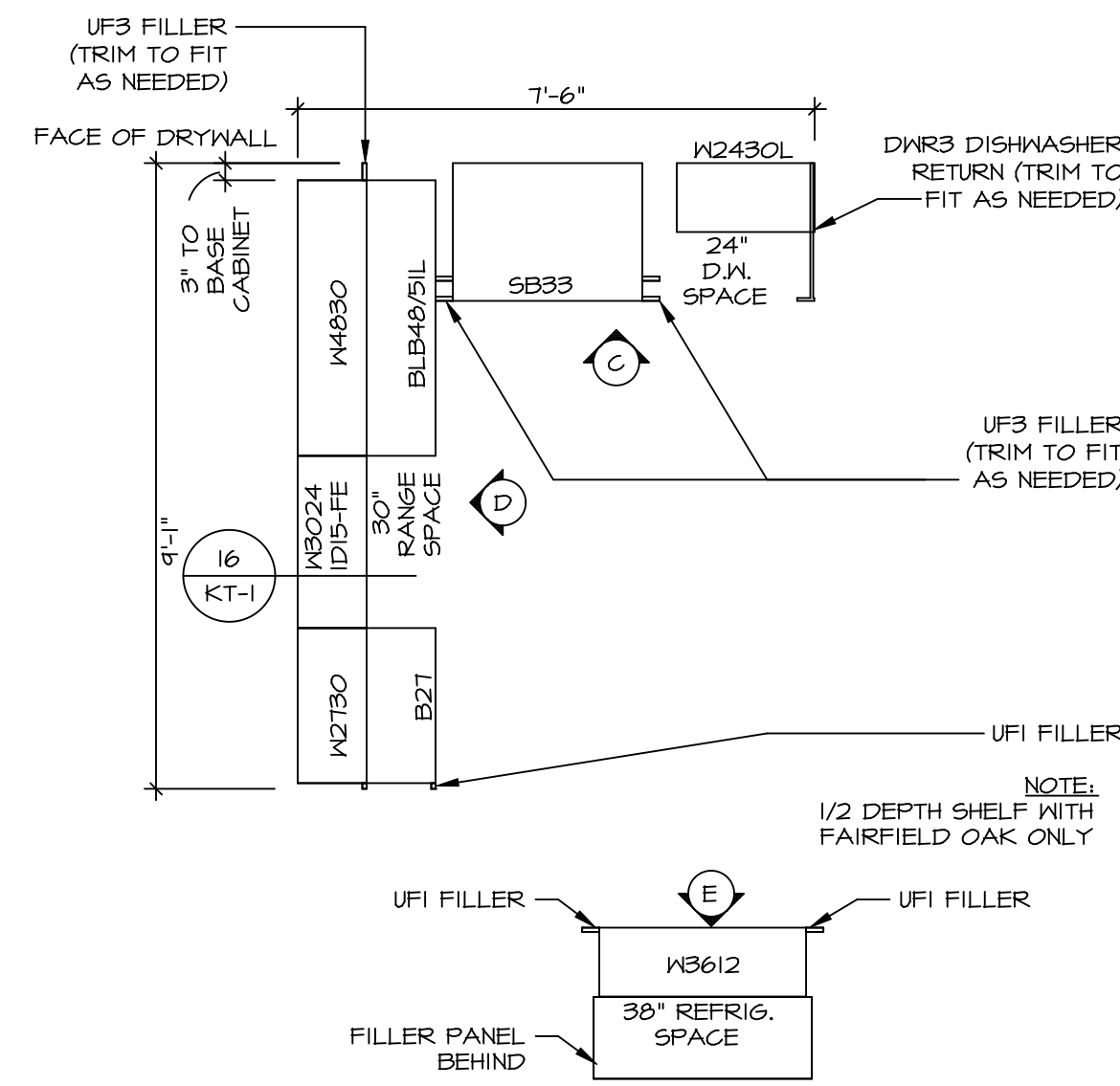
NVR, Inc., owner, expressly reserves its copyright in these plans. These plans are not to be reproduced, changed, copied, or otherwise used in any way without the prior written consent of NVR, Inc.



SET NO. SIECO	VERSION 05
DRAWN BY	DATE: 2/2/2015
OPTION	

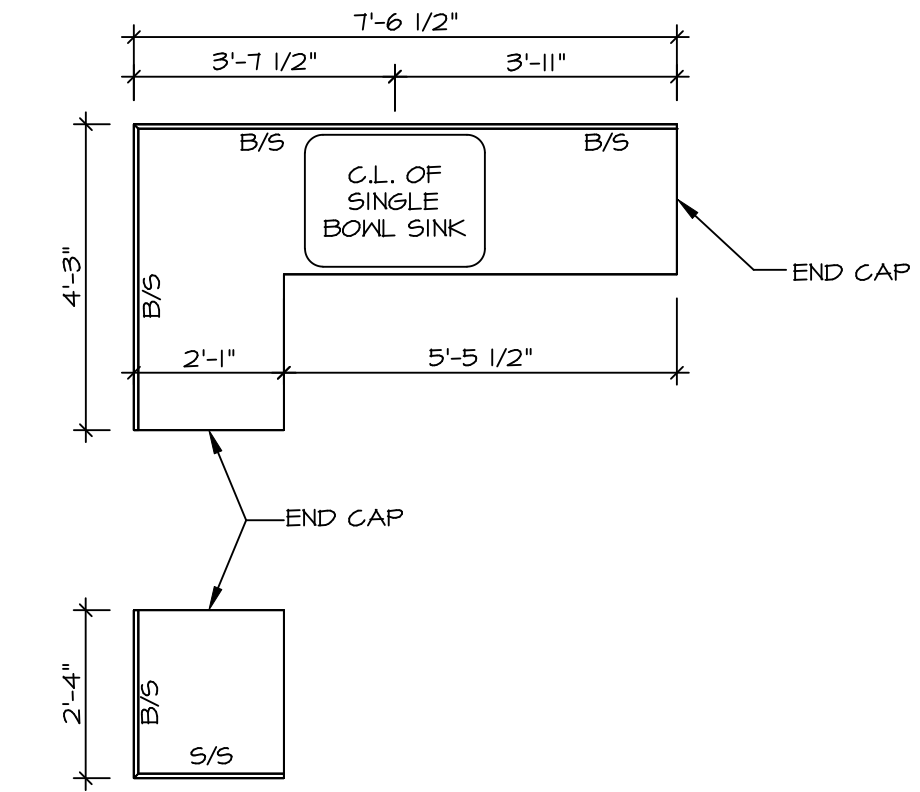
MODEL	SIENNA
DRAWING TITLE	SECOND FLOOR PLAN
OPTION DESCRIPTION	

SHEET NO. **A-8**  
26



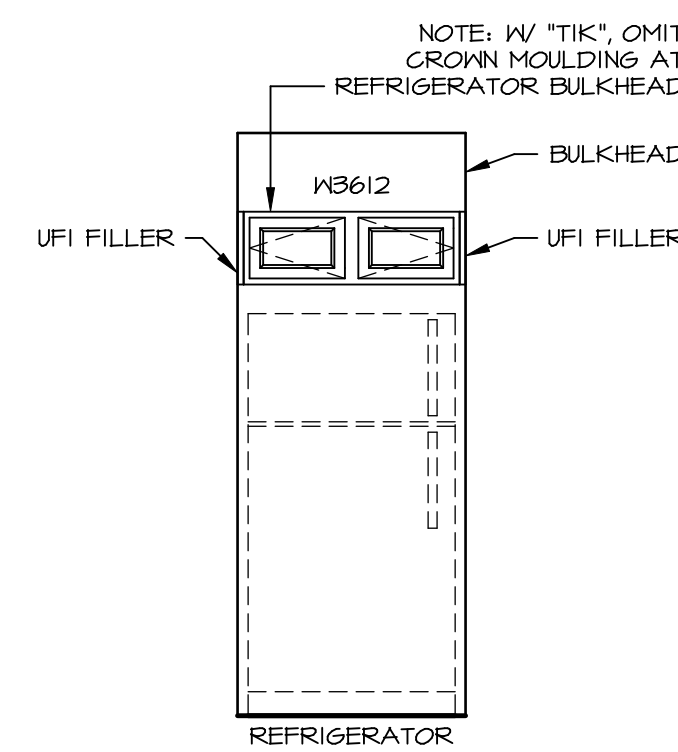
**CABINET PLAN - KC-1924**

STANDARD KITCHEN w/  
30" WALL CABINETS SCALE: 3/8" = 1'-0" 1 A-12



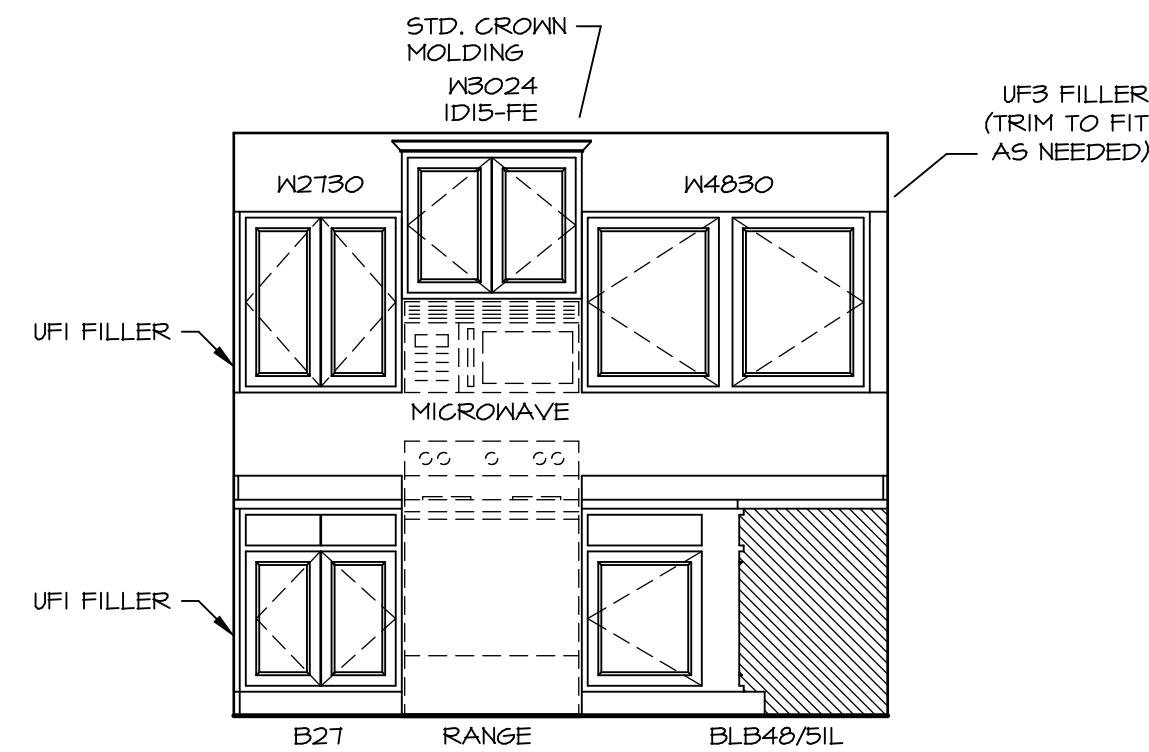
**COUNTERTOP PLAN - KT-1924**

STANDARD KITCHEN w/  
30" WALL CABINETS SCALE: 3/8" = 1'-0" 3 A-12



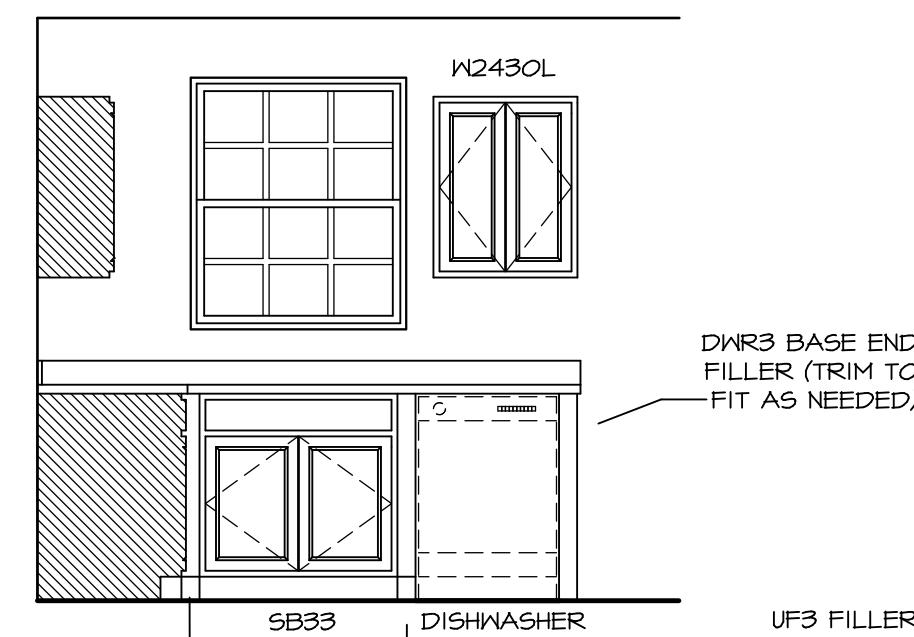
**KITCHEN ELEVATION E**

SCALE: 3/8" = 1'-0"



**KITCHEN ELEVATION D**

SCALE: 3/8" = 1'-0"



**KITCHEN ELEVATION C**

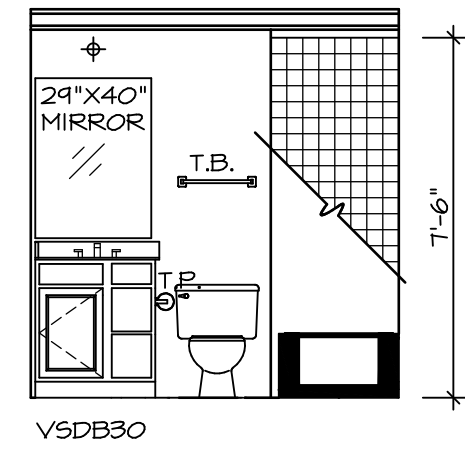
SCALE: 3/8" = 1'-0"

NVR, Inc., owner, expressly reserves its copyright in these plans. These plans are not to be reproduced, changed, copied, or otherwise used without the written consent of NVR, Inc.



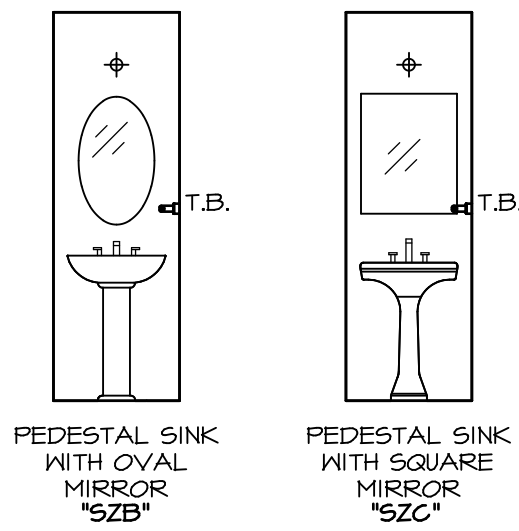
SET NO. SIECO  
VERSION 05  
DRAWN BY  
DATE: 2/2/2015  
OPTION

SHEET NO. SIENNA A-12 32  
DRAWING TITLE KITCHENS  
OPTION DESCRIPTION



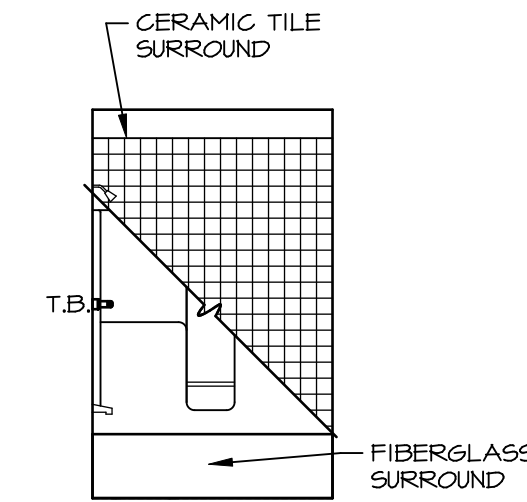
**B** BASEMENT POWDR. RM. W/ TUB

SCALE: 1/4" = 1'-0"



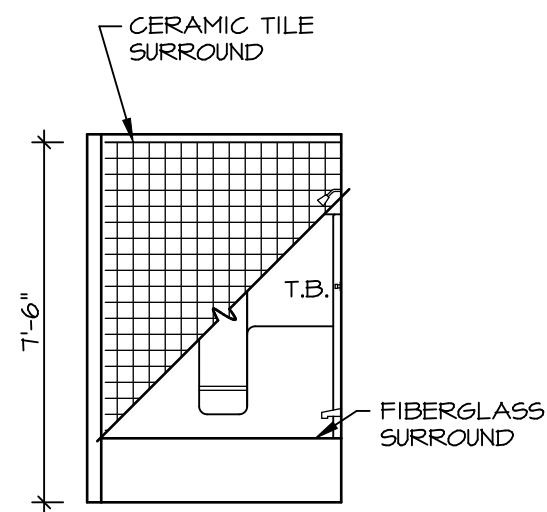
**D** POWDER ROOM

SCALE: 1/4" = 1'-0"



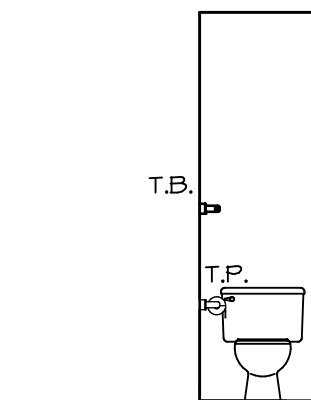
**F** BATH #1

SCALE: 1/4" = 1'-0"



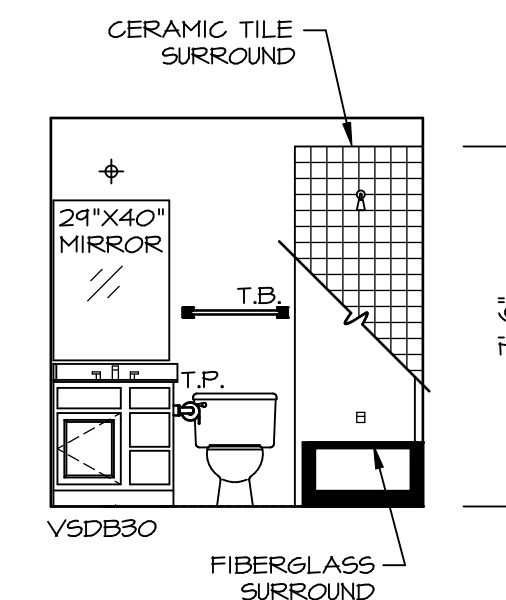
**A** BASEMENT POWDR. RM. W/ TUB

SCALE: 1/4" = 1'-0"



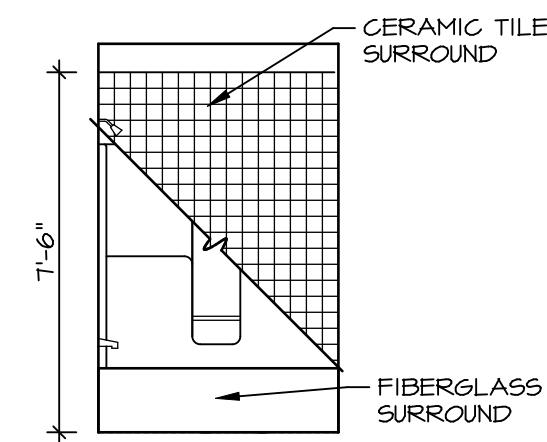
**C** POWDER ROOM

SCALE: 1/4" = 1'-0"



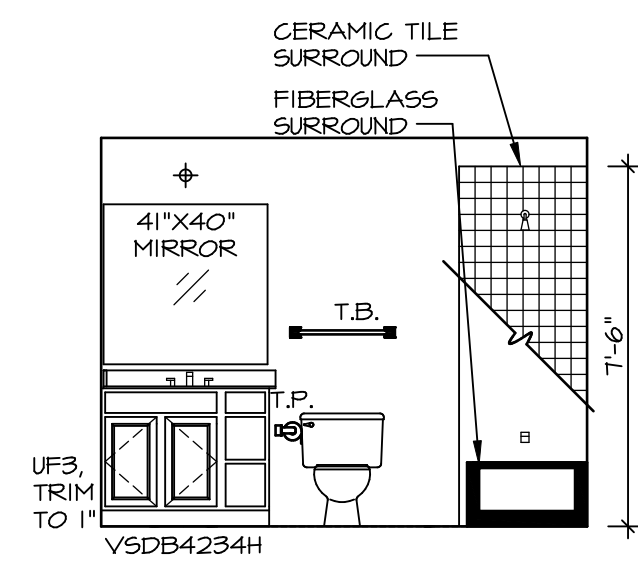
**E** BATH #1

SCALE: 1/4" = 1'-0"



**H** OWNER'S BATH (AMB)

SCALE: 1/4" = 1'-0"



**G** OWNER'S BATH (AMB)

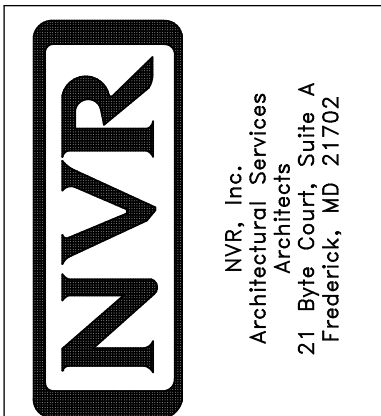
SCALE: 1/4" = 1'-0"

**NOTES:**

1. TEMPERED GLASS SHOWER ENCLOSURE WITH SWING DOOR OR OPTIONAL SLIDING DOOR BY DIVISION
2. TUB ACCESS PANELS PROVIDED AS NEEDED, ALL MATERIALS BY DIVISION
3. REFER TO SHEET D-II FOR TUB AND SHOWER DETAILS.
4. ALL V5DB24-42 DRAWERS TO BE SET ON RIGHT HAND.
5. BATH ELEVATIONS ARE SHOWN PER PLAN.

REV. NO.	DATE	REMARKS
1	08/05/16	N.L. - DRAWING ALIGNMENT

NVR, Inc., owner, expressly reserves its copyright in these plans. These plans are not to be reproduced, changed, copied, or otherwise used in any way without the prior written consent of NVR, Inc.



SHEET NO.	MODEL	SET NO.	VERSION	DATE	OPTION
A-13	SIENNA BATH ELEVATIONS	05	05	4/2/15	CSB
33					