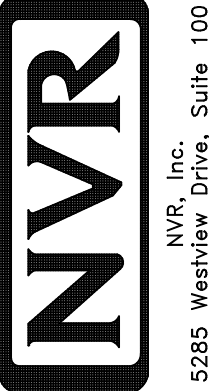
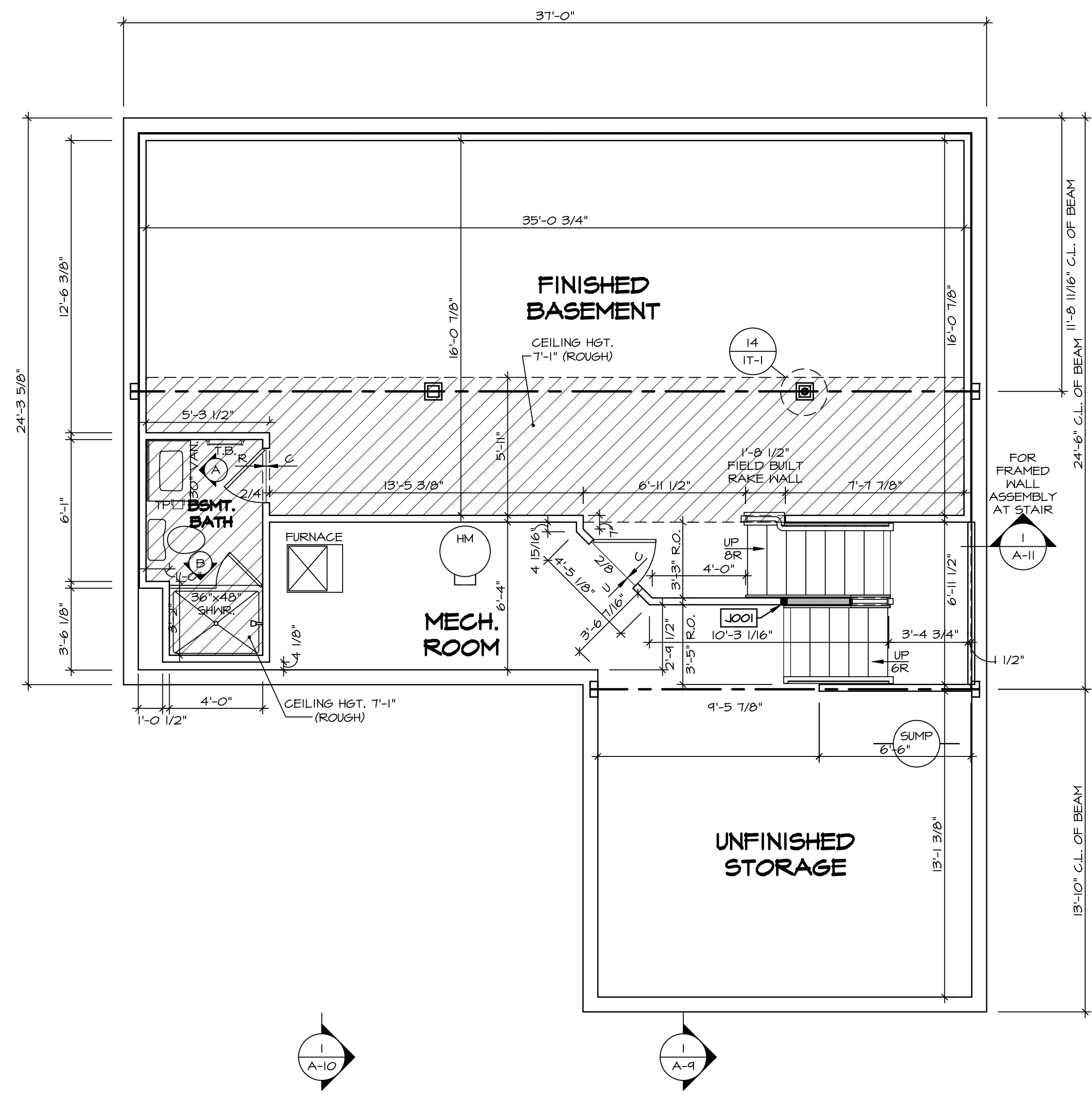


PLUMBING PLAN
SCALE: 1/4" = 1'-0"

NOTE
RADON REMEDIATION
RADON LOOP:
- (4") PERFORATED HDPE "LOOP"
- MUST BE PLACED IN STONE BED SLIGHTLY HIGHER THAN ANY INTERIOR DRAINTILE
- LOOP TO BE SEPARATE FROM ANY DRAINTILE ELEMENTS
- TO BE CORRUGATED HDPE PIPE
- SCREWS TO BE INSTALLED THROUGH LOOP AT TEE UP INTO STACK
STACK REQUIREMENTS:
- 3" PVC STACK (4" IF BASEMENT IS GREATER THAN 2200 SQFT.)
- NO PART OF STACK IS TO BE HORIZONTAL
- PIPE TO BE PHYSICALLY LABELED IN THE FIELD AS "RADON VENT" OR OTHER JURISDICTIONALLY REQUIRED LANGUAGE (ON EVERY LEVEL OF HOUSE)
- ROOF TERMINATION TO BE IN TOP 1/3 OF ROOF
- SCREEN INSTALLED TO KEEP PESTS OUT OF RADON VENT AT ROOF TERMINATION

SHEET NO. A-5	MODEL COLUMBIA	SET NO. CLM00	VERSION 01
		DRAWN BY JAB	DATE:
23	OPTION DESCRIPTION	OPTION	
		OPTION	
<p>© NVR, Inc. expressly reserves the right to modify or amend these plans at any time without notice. These plans are not to be reproduced, changed or altered in any way without the written consent of NVR, Inc.</p>			
 <p>NVR, Inc. Suite 100 Frederick, MD 21703</p>			
DIV-COMM-LOT-UNIT DCY-CH-S354		COMM-LOT CARRIAGE TRAILS - S354 STREET ADDRESS 499T LAKESIDE STREET CITY TIPP CITY STATE OH ZIP 45371	

BASEMENT FLOOR PLAN
SCALE: 1/4" = 1'-0"



LEGEND

- BEARING WALL
- NON BEARING WALL
- INDICATES BEARING FROM POINT-LOAD ABOVE
- JACKS
- BEAM/HEADER
- PAD FOOTING
- STEEL COLUMN
- PORTAL FRAME
- JOIST/TRUSS
- LVL
- ENGINEERING PAGE NUMBER

SEE FC DETAILS FOR FRAMING CONNECTORS

- FLOOR PLAN NOTES**
- ALL HEADERS ARE (2) 2x6 w/ 2x4 WALLS OR (3) 2x6 w/ 2x6 WALLS, UNLESS OTHERWISE NOTED.
 - ALL HEADERS TO HAVE (1) 2x4 OR 2x6 JACK AND KING STUD EACH END, UNLESS OTHERWISE NOTED.
 - ALL EXTERIOR WALLS TO BE 4" w/ OSB OR 3 1/2" w/ T-PLY, ALL INTERIOR WALLS TO BE 3 1/2", UNLESS OTHERWISE NOTED.
 - HATCHED AREAS INDICATE DROPPED CEILING. ALL DROPPED CEILING ARE 12" UNLESS OTHERWISE NOTED.
 - SEE "BRACED WALL PANEL DETAIL SHEET" FOR SPECIAL WALL FRAMING LOCATIONS AND HEADER SIZES, IF APPLICABLE.
 - SEE STANDARD DETAIL CATEGORY "IT" SHEET(S) FOR INTERIOR TRIM DETAILS.
 - SEE ARCHITECTURAL DETAIL SHEET "AD" FOR HOUSE SPECIFIC INTERIOR TRIM OPTION TABLE.
 - ALL WINDOWS HAVE 7'-0 1/2" HEADER HEIGHT UNLESS OTHERWISE NOTED.
 - ALL HEADERS IN NON-BEARING WALLS SHALL BE A SINGLE FLAT 2x4 OR 2x6 ATTACHED TO CRIPPLES ABOVE, UNLESS OTHERWISE NOTED.
 - TANKED WATER HEATER SHOWN AS BASE CONDITION. OPTIONAL TANKLESS WATER HEATER IS AVAILABLE IN LIEU OF TANKED WATER HEATER.

GYPSUM NOTES

AT GARAGE:
GYPSUM BOARD AT COMMON WALLS, CEILING, BEAM WRAPS AND SUPPORTS PER STANDARD DETAIL FA-1(b) FIRE ASSEMBLIES OR AS REQUIRED BY LOCAL CODE.

AT STAIRS:
1/2" GYPSUM BOARD AT UNDERSIDE OF STAIRS AND WALLS IN CLOSET

BASEMENT JACK SCHEDULE

IDENTIFIER	DESCRIPTION	OPTIONS	ENG. NUM.	REMARKS
J001	JACK - (2) 2X4 SFF STUD GRADE	FBA	BO031	

MODEL
COLUMBIA

DRAWING TITLE
BASEMENT FLOOR PLAN

OPTION DESCRIPTION
BASEMENT FOUNDATION

SHEET NO.
A-6

26

SET NO. CLM00
VERSION 01
DRAWN BY CVB
DATE:
OPTION FBA

© NVR, Inc.
NVR, Inc. Suite 100
Frederick, MD 21703
5285 Washburn Lane
Frederick, MD 21703

NVR

© NVR, Inc. expressly reserves the right to modify these plans without notice. These plans are not to be reproduced, changed or altered in any way without the written consent of NVR, Inc.

DIV-COMM-LOT-UNIT
DCY-CH-S354

COMM-LOT
CARRIAGE TRAILS - S354

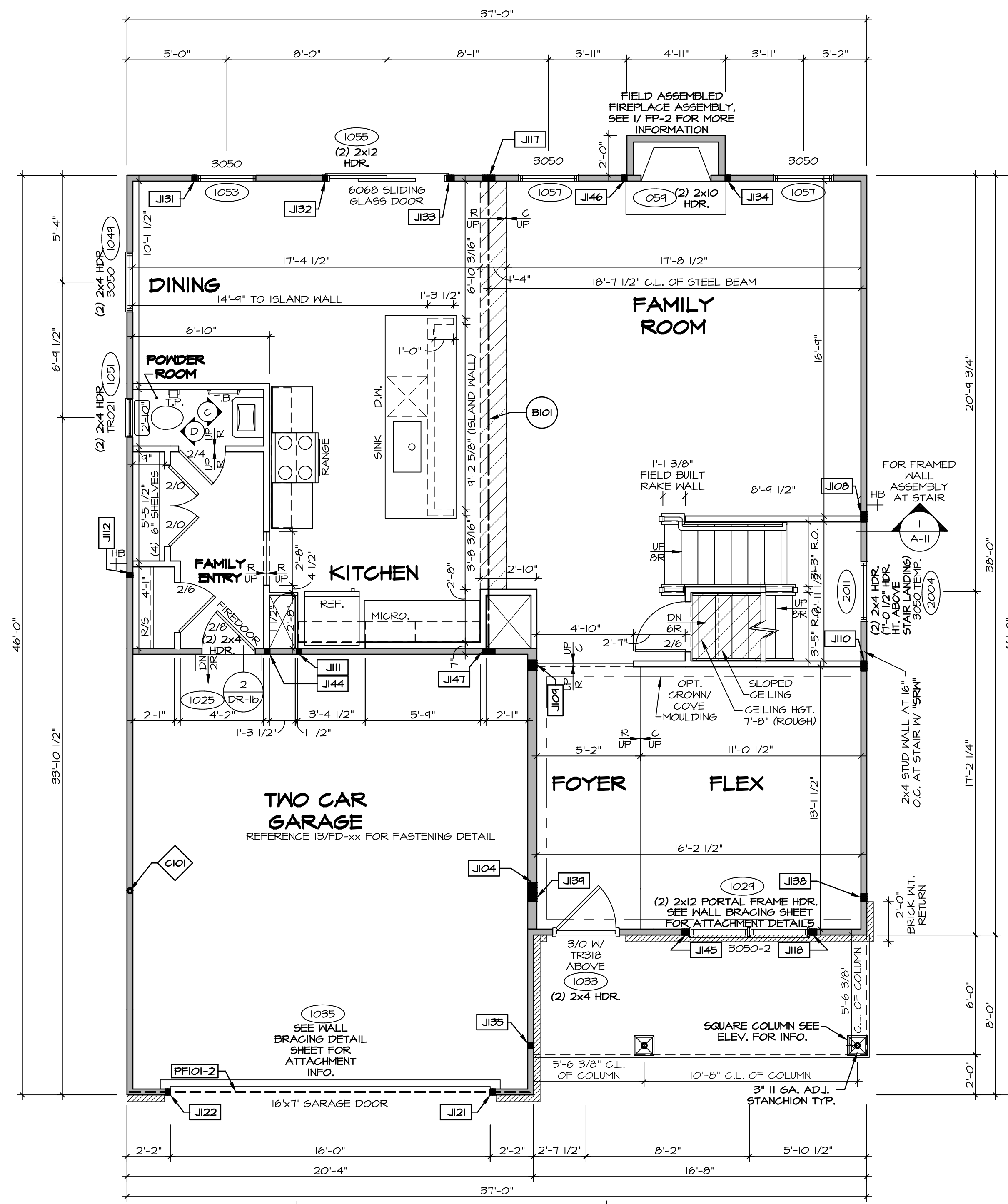
STREET ADDRESS
499T LAKESIDE STREET

CITY
TIFF CITY

STATE
OH

ZIP
45371

APT. NO.



FIRST FLOOR PLAN
SCALE: 1/4" = 1'-0"

LEGEND

- BEARING WALL
- NON BEARING WALL
- INDICATES BEARING FROM POINT-LOAD ABOVE
- JACKS
- BEAM/HEADER
- PAD FOOTING
- STEEL COLUMN
- PORTAL FRAME
- JOIST/TRUSS
- LVL
- ENGINEERING PAGE NUMBER

SEE FC DETAILS FOR FRAMING CONNECTORS

- FLOOR PLAN NOTES**
- ALL HEADERS ARE (2) 2x6 w/ 2x4 WALLS OR (3) 2x6 w/ 2x6 WALLS, UNLESS OTHERWISE NOTED.
 - ALL HEADERS TO HAVE (1) 2x4 OR 2x6 JACK AND KING STUD EACH END, UNLESS OTHERWISE NOTED.
 - ALL EXTERIOR WALLS TO BE 4" w/ OSB OR 3 1/2" w/ T-PLY, ALL INTERIOR WALLS TO BE 3 1/2", UNLESS OTHERWISE NOTED.
 - HATCHED AREAS INDICATE DROPPED CEILINGS. ALL DROPPED CEILINGS ARE 12" UNLESS OTHERWISE NOTED.
 - SEE "BRACED WALL PANEL DETAIL SHEET" FOR SPECIAL WALL FRAMING LOCATIONS AND HEADER SIZES, IF APPLICABLE.
 - SEE STANDARD DETAIL CATEGORY "IT" SHEET(S) FOR INTERIOR TRIM DETAILS.
 - SEE ARCHITECTURAL DETAIL SHEET "AD" FOR HOUSE SPECIFIC INTERIOR TRIM OPTION TABLE.
 - ALL WINDOWS HAVE T-O 1/2" HEADER HEIGHT UNLESS OTHERWISE NOTED.
 - ALL HEADERS IN NON-BEARING WALLS SHALL BE A SINGLE FLAT 2x4 OR 2x6 ATTACHED TO CRIPPLES ABOVE, UNLESS OTHERWISE NOTED.
 - TANKED WATER HEATER SHOWN AS BASE CONDITION, OPTIONAL TANKLESS WATER HEATER IS AVAILABLE IN LIEU OF TANKED WATER HEATER.

- GYPSUM NOTES**
- AT GARAGE:
GYPSUM BOARD AT COMMON WALLS, CEILINGS, BEAM WRAPS AND SUPPORTS PER STANDARD DETAIL FA-1(b) FIRE ASSEMBLIES OR AS REQUIRED BY LOCAL CODE.
- AT STAIRS:
1/2" GYPSUM BOARD AT UNDERSIDE OF STAIRS AND WALLS IN CLOSET

NOTE:
EXTERIOR WALLS DRAIN TO FRAMING WIDTH, EXTERIOR SHEATHING IS NOT INCLUDED IN WALL THICKNESS.

- LVL PLY TO PLY FASTENING SCHEDULE:** (WHERE APPLICABLE BASED ON LVL USAGE)
- (2) PLY UP TO AND INCLUDING 11 7/8" TALL; FASTEN PLYS w/ (2) ROWS 16D NAILS AT 12" O.C. OR ALT 1 1/2" WIDE LVL FASTEN PLYS w/ (3) ROWS 12D NAILS AT 12" O.C.
 - (2) PLY 14" TO AND 18" TALL (INCLUSIVE); FASTEN PLYS w/ (3) ROWS 16D NAILS AT 12" O.C. OR ALT 1 1/2" WIDE LVL FASTEN PLYS w/ (4) ROWS 12D NAILS AT 12" O.C.
 - (2) PLY 20" TALL AND OVER; FASTEN PLYS w/ (4) ROWS 16D NAILS AT 12" O.C. OR ALT 1 1/2" WIDE LVL FASTEN PLYS w/ (5) ROWS 16D NAILS AT 12" O.C.
 - (3) PLY UP TO AND INCLUDING 11 7/8" TALL; FASTEN PLYS w/ (2) ROWS 16D NAILS AT 12" O.C. FROM EACH SIDE OR ALT 1 1/2" WIDE LVL FASTEN PLYS w/ (3) ROWS 12D NAILS AT 12" O.C. FROM EACH SIDE.
 - (3) PLY 14" TO AND 18" TALL (INCLUSIVE); FASTEN PLYS w/ (3) ROWS 16D NAILS AT 12" O.C. FROM EACH SIDE OR ALT 1 1/2" WIDE LVL FASTEN PLYS w/ (4) ROWS 12D NAILS AT 12" O.C. FROM EACH SIDE.
 - (3) PLY 20" TALL AND OVER; FASTEN PLYS w/ (4) ROWS 16D NAILS AT 12" O.C. FROM EACH SIDE OR ALT 1 1/2" WIDE LVL FASTEN PLYS w/ (5) ROWS 12D NAILS AT 12" O.C. FROM EACH SIDE.
 - (4) PLY (ALL SIZES); FASTEN PLYS w/ (2) ROWS 1/2" DIAMETER A307 BOLTS AT 24" O.C. SEE SHOP DRAWING FOR ADDITIONAL INFORMATION.

FIELD INSTALLED FIRST FLOOR BEAM/HEADER SCHEDULE

IDENTIFIER	DESCRIPTION	LENGTH	OPTIONS	ENG. NUM.	REMARKS
B101	BEAM STEEL - W12X30	23'-10 3/4"		1023	
PF101-2	LVL 1.75 - 11-04	20'-1"	GCB/ GCF	1035	

STEEL COLUMN SCHEDULE

IDENTIFIER	STYLE	HEIGHT	OPTIONS	ENG. NUM.	REMARKS
C101	STANCHION - 3 IN SCHED 40	9'-6"	GCB/ GCF, ELA/ ELB/ ELK/ ELL, SXC, FBA/ FCA	1006	

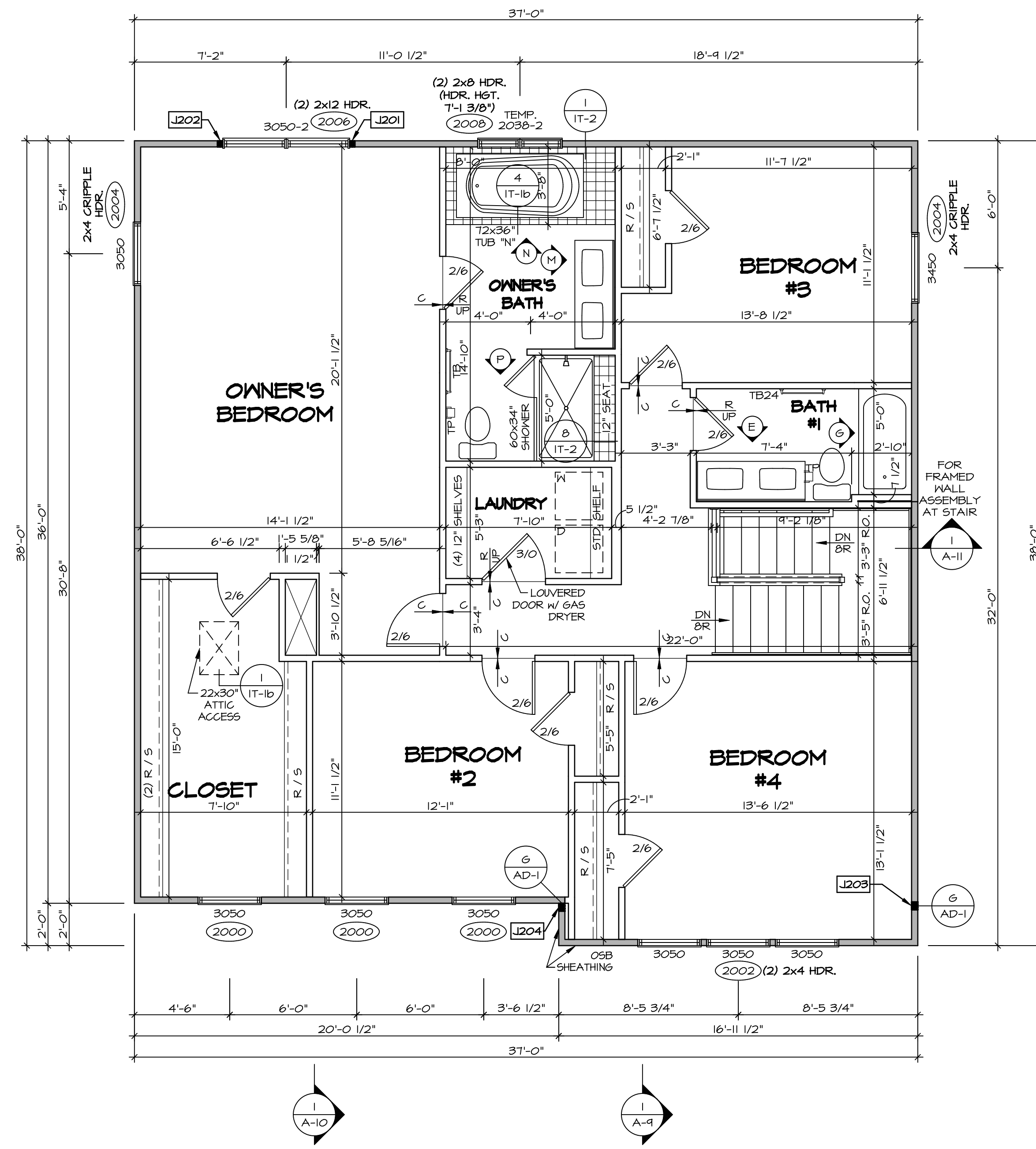
FIRST FLOOR JACK SCHEDULE

IDENTIFIER	DESCRIPTION	OPTIONS	ENG. NUM.	REMARKS
J104	JACK - (5) 2X6 SPF STUD GRADE	SXC, ELB/ ELL	1006	
J108	JACK - (4) 2X4 SPF STUD GRADE		1014	
J109	JACK - (4) 2X6 SPF STUD GRADE		1016	
J110	JACK - (4) 2X4 SPF STUD GRADE		1016	
J111	JACK - (2) 2X4 SPF STUD GRADE		1018	
J112	JACK - (2) 2X4 SPF STUD GRADE		1020	
J117	JACK - (5) 2X4 SPF#1		1023	
J118	JACK - (5) 2X4 SPF STUD GRADE		1021	
J121	JACK - (2) 2X4 SPF STUD GRADE	GCB/ GCF	1035	
J122	JACK - (2) 2X4 SPF STUD GRADE	GCB/ GCF	1035	
J131	JACK - (2) 2X4 SPF STUD GRADE		1053	
J132	JACK - (2) 2X4 SPF STUD GRADE		1055	
J133	JACK - (3) 2X4 SPF STUD GRADE		1055	
J134	JACK - (2) 2X4 SPF STUD GRADE	L6F	1054	
J135	JACK - (2) 2X4 SPF STUD GRADE		1063	
J136	JACK - (3) 2X4 SPF#1	ELB/ ELL	2010	
J139	JACK - (3) 2X6 SPF STUD GRADE	ELB/ ELL	2010	
J144	JACK - (2) 2X4 SPF STUD GRADE		1018	
J145	JACK - (5) 2X4 SPF STUD GRADE		1021	
J146	JACK - (2) 2X4 SPF STUD GRADE	L6F	1054	
J147	JACK - (5) 2X4 SPF#1		1023	

DCY-CH-S354
 4931 LAKESIDE STREET
 TIPP CITY, OH 45371

NVR
 5285 Washington Blvd
 Frederick, MD 21703

MODEL: COLUMBIA
 DRAWING TITLE: FIRST FLOOR PLAN
 SHEET NO. A-7
 SET NO. CLM00
 VERSION 01
 DRAWN BY: ARY
 DATE:
 OPTION



SECOND FLOOR PLAN
SCALE: 1/4" = 1'-0"

LEGEND

- BEARING WALL
- NON BEARING WALL
- INDICATES BEARING FROM POINT-LOAD ABOVE
- JACKS
- BEAM/HEADER
- PAD FOOTING
- STEEL COLUMN
- PORTAL FRAME
- JOIST/TRUSS
- LVL
- ENGINEERING PAGE NUMBER

SEE FC DETAILS FOR FRAMING CONNECTORS

NOTE:
EXTERIOR WALLS DRAWN TO FRAMING WIDTH, EXTERIOR SHEATHING IS NOT INCLUDED IN WALL THICKNESS.

- FLOOR PLAN NOTES**
- ALL HEADERS ARE (2) 2x6 w/ 2x4 WALLS OR (3) 2x6 w/ 2x6 WALLS, UNLESS OTHERWISE NOTED.
 - ALL HEADERS TO HAVE (1) 2x4 OR 2x6 JACK AND KING STUD EACH END, UNLESS OTHERWISE NOTED.
 - ALL EXTERIOR WALLS TO BE 4" w/ OSB OR 3 1/2" w/ T-PLY, ALL INTERIOR WALLS TO BE 3 1/2", UNLESS OTHERWISE NOTED.
 - HATCHED AREAS INDICATE DROPPED CEILING. ALL DROPPED CEILING ARE 12" UNLESS OTHERWISE NOTED.
 - SEE "BRACED WALL PANEL DETAIL SHEET" FOR SPECIAL WALL FRAMING LOCATIONS AND HEADER SIZES, IF APPLICABLE.
 - SEE STANDARD DETAIL CATEGORY "IT" SHEET(S) FOR INTERIOR TRIM DETAILS.
 - SEE ARCHITECTURAL DETAIL SHEET "AD" FOR HOUSE SPECIFIC INTERIOR TRIM OPTION TABLE.
 - ALL WINDOWS HAVE 7'-0 1/2" HEADER HEIGHT UNLESS OTHERWISE NOTED.
 - ALL HEADERS IN NON-BEARING WALLS SHALL BE A SINGLE FLAT 2x4 OR 2x6 ATTACHED TO CRIPPLES ABOVE, UNLESS OTHERWISE NOTED.
 - TANKED WATER HEATER SHOWN AS BASE CONDITION. OPTIONAL TANKLESS WATER HEATER IS AVAILABLE IN LIEU OF TANKED WATER HEATER.

GYPSUM NOTES

AT GARAGE:
GYPSUM BOARD AT COMMON WALLS, CEILING, BEAM WRAPS AND SUPPORTS PER STANDARD DETAIL FA-1(b) FIRE ASSEMBLIES OR AS REQUIRED BY LOCAL CODE.

AT STAIRS:
1/2" GYPSUM BOARD AT UNDERSIDE OF STAIRS AND WALLS IN CLOSET

SECOND FLOOR JACK SCHEDULE

IDENTIFIER	DESCRIPTION	OPTIONS	ENG. NUM.	REMARKS
J201	JACK - (2) 2x4 SPF STUD GRADE		2006	
J202	JACK - (2) 2x4 SPF STUD GRADE		2006	
J203	JACK - (3) 2x4 SP#1	ELB/ ELL	2010	1/8"x3 1/2"x4 1/2" STEEL BEARING PLATE, EXTEND THRU TOP PLATE
J204	JACK - (3) 2x4 SP#1	ELB/ ELL	2010	1/8"x3 1/2"x4 1/2" STEEL BEARING PLATE, EXTEND THRU TOP PLATE

DIV-COMM-LOT-UNIT
DCY-CH-S354
 COMM-LOT
 CARRIAGE TRAILS - S354
 STREET ADDRESS
 499T LAKESIDE STREET
 CITY
 TIPP CITY
 STATE
 OH
 ZIP
 45971
 APT. NO.

© NVR, Inc. expressly reserves the copyright and all other rights in these plans. These plans are not to be reproduced, changed or copied in any way without the prior written consent of NVR, Inc.

NVR
 NVR, Inc. Suite 100
 5285 Washburne Road
 Frederick, MD 21703

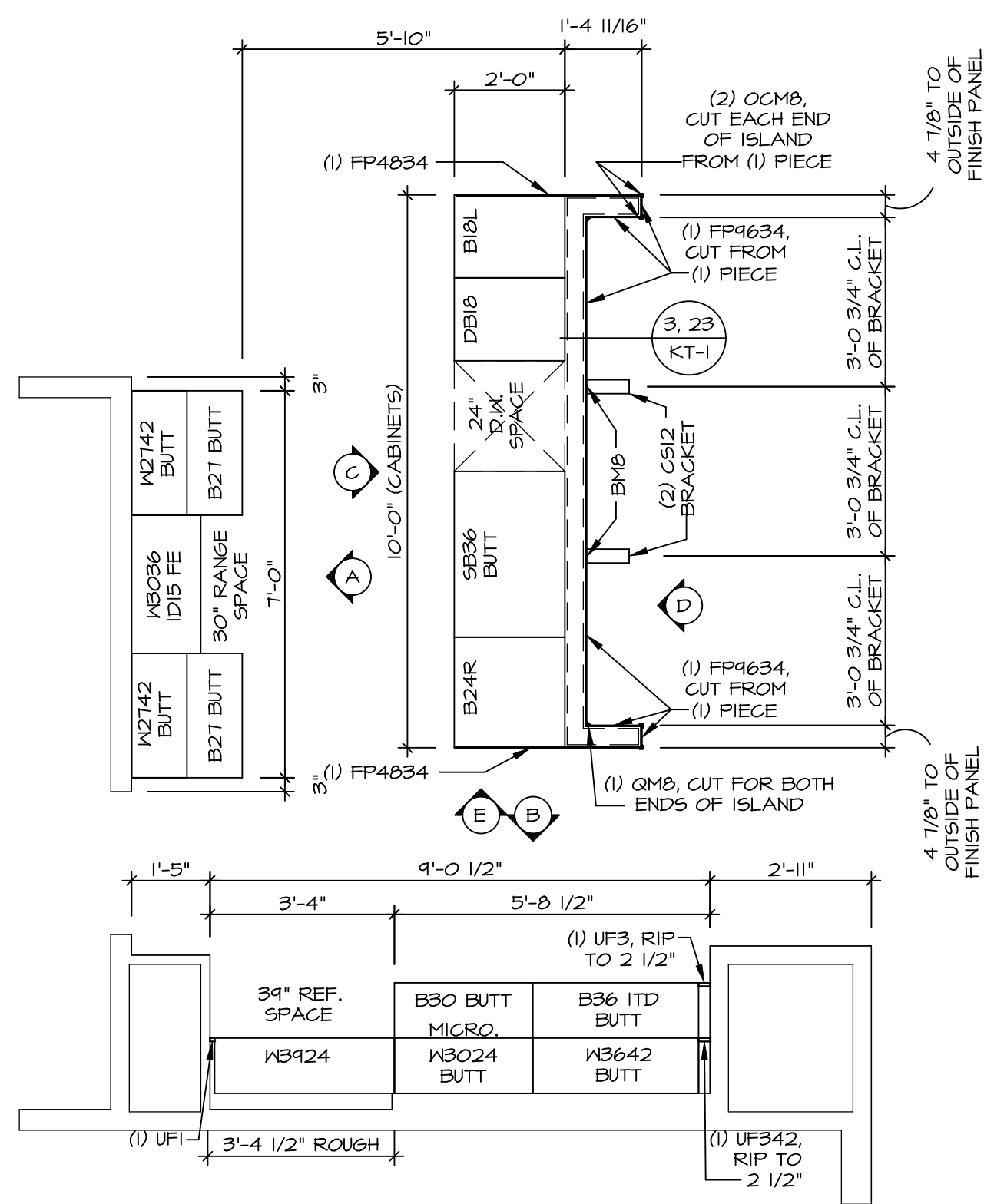
SET NO. CLMOO
 VERSION 01
 DRAWN BY ARY
 DATE:
 OPTION

COLUMBIA
 DRAWING TITLE
SECOND FLOOR PLAN
 OPTION DESCRIPTION

SHEET NO.
A-8
 31

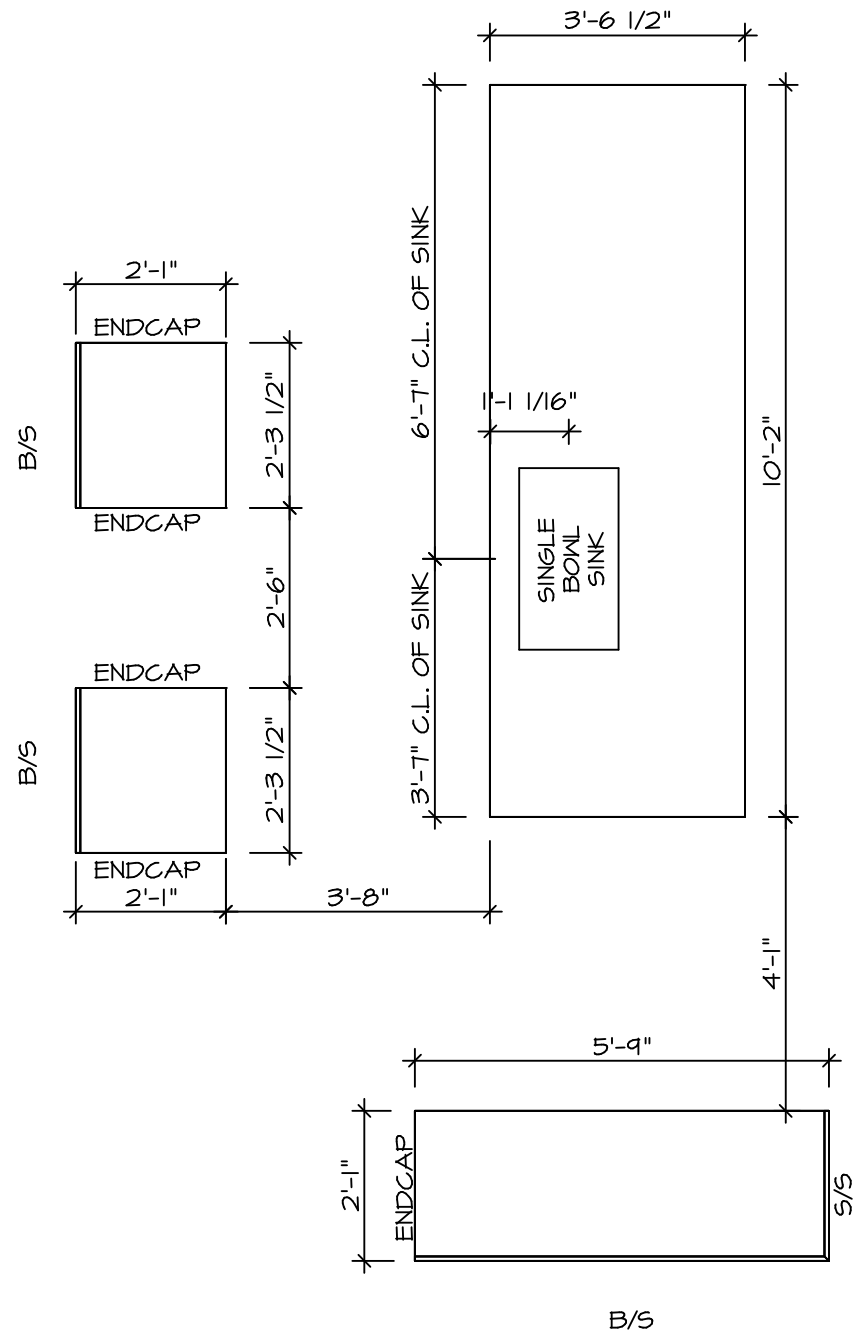
C:\NVR\Solves\COLUMBIA_CLMOO_01\DCY-CH-S354\1878553\Sheets\Lot_Specific\31_A-8_FLN2_L3.dwg 02/21/20 - 1:29 pm

- NOTES:**
- CABINET LAYOUT (S) ARE BASED ON FINISHED DIMENSIONS TO DRYWALL.
 - IF KITCHEN PLANS/ELEVATIONS CALL-OUT STANDARD MOLDING, REFER TO STANDARD DETAIL (1)KT-1) FOR REPLACEMENT BASED ON CABINET STYLE.
 - ALL (UF#) FILLERS ARE TO BE "TRIM TO FIT" UNLESS OTHERWISE NOTED.
 - CABINET MUST BE SET, SHIMMED, LEVELED AND PLUMB W/ ADJOINING BASE CABINETS.
 - SET PRE-FINISHED SCRIBE MOLDING AT CABINET BULKHEADS AND AT ENDS (WHERE CABINETS MEET DRYWALL.) PRE-FINISHED SCRIBE MOLDING SHALL BE USED TO PAD OUT CABINET SIDES AT STILE FOR RETURN PIECES OF THE FACE-MOUNTED CABINET CROWN MOLDING.
 - HARDWARE INSTALL NOTE: KNOBS GO ON DOORS AND DRAWERS FOR ALL AREAS. ALL DRAWER FRONTS AND DOORS GET (1) KNOB/FULL. NO HARDWARE ON FALSE DRAWER FRONTS.



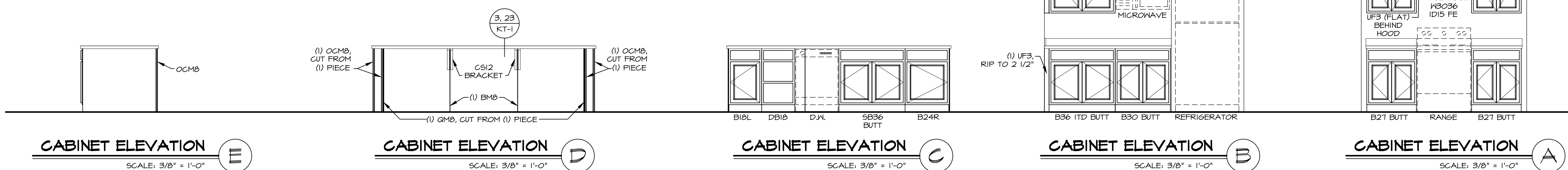
KITCHEN CABINET LAYOUT KC-3521

APPLIANCE LAYOUT W/ RANGE "KAA" SCALE: 3/8" = 1'-0" A-12



KITCHEN COUNTERTOP LAYOUT KC-3521

APPLIANCE LAYOUT W/ RANGE "KAA" SCALE: 3/8" = 1'-0" A-12



CABINET ELEVATION E
SCALE: 3/8" = 1'-0"

CABINET ELEVATION D
SCALE: 3/8" = 1'-0"

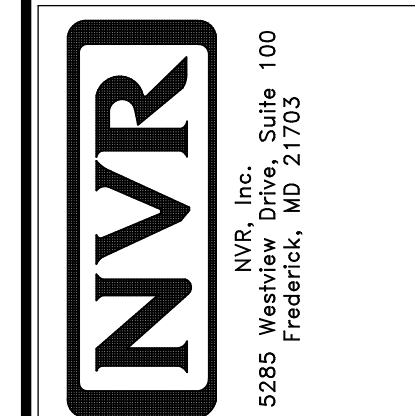
CABINET ELEVATION C
SCALE: 3/8" = 1'-0"

CABINET ELEVATION B
SCALE: 3/8" = 1'-0"

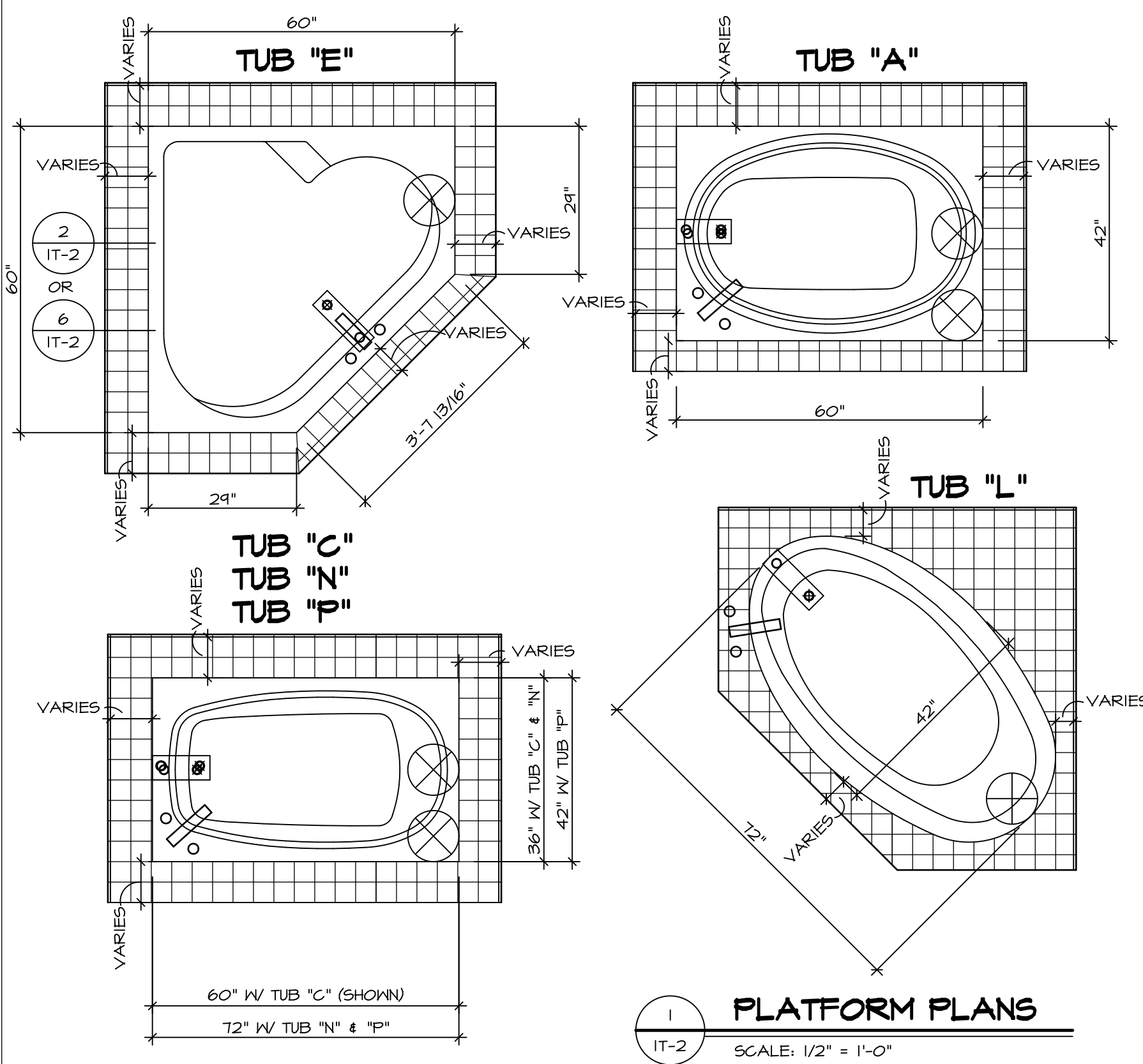
CABINET ELEVATION A
SCALE: 3/8" = 1'-0"

BIV-COMM-LOT-UNIT
DCY-CH-S354
COMM-LOT
CARRIAGE TRAILS - S354
STREET ADDRESS
499T LAKESIDE STREET
CITY TIPP CITY STATE OH ZIP 45371

© NVR, Inc. expressly reserves the right to modify these plans without notice. These plans are not to be reproduced, changed or altered in any way without the written consent of NVR, Inc.

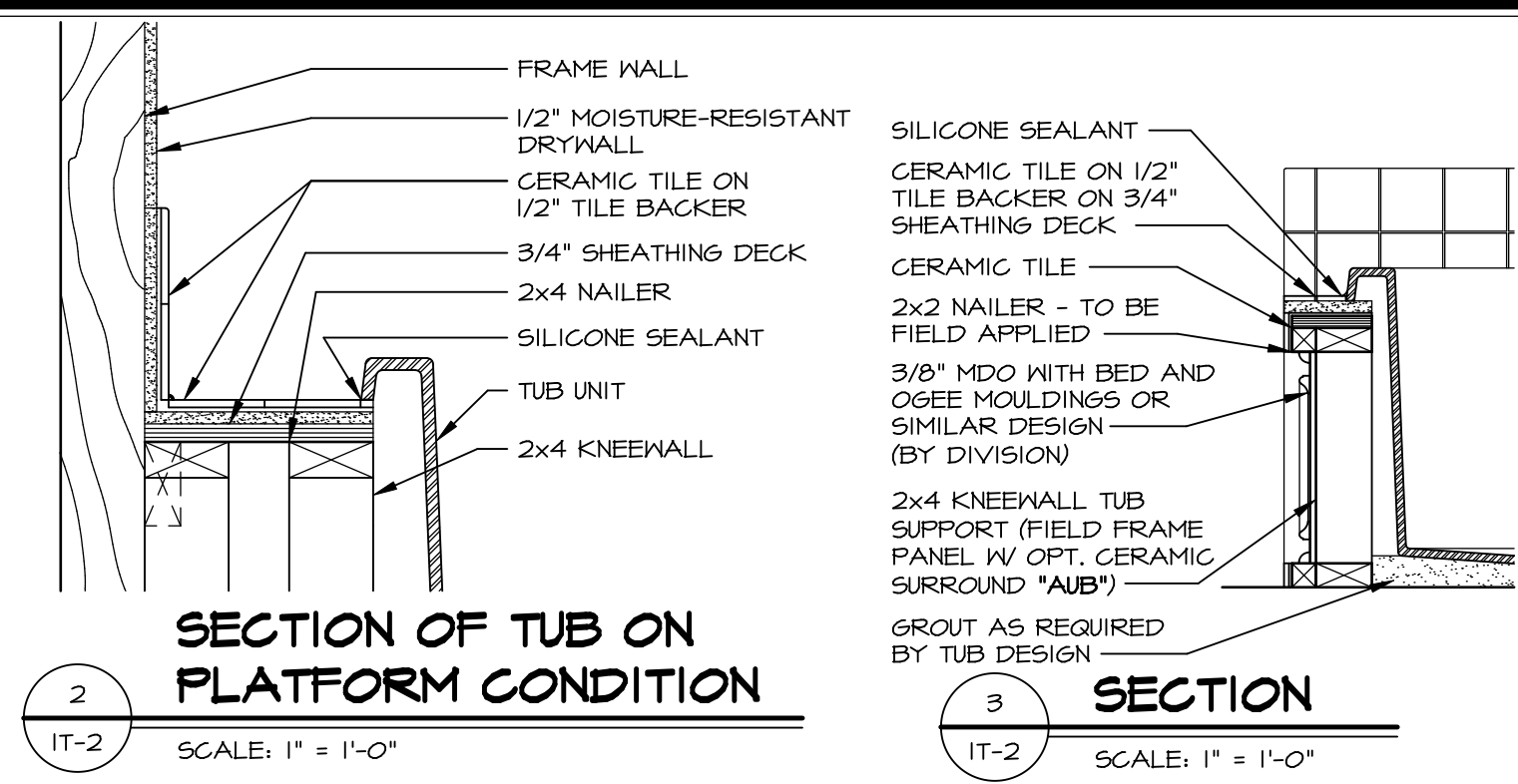


SHEET NO.	A-12	MODEL	COLUMBIA
DRAWING TITLE	KITCHEN PLAN AND ELEVATION	SET NO. CLMOO	VERSION 01
OPTION DESCRIPTION		DRAWN BY	ARM
		DATE:	OPTION

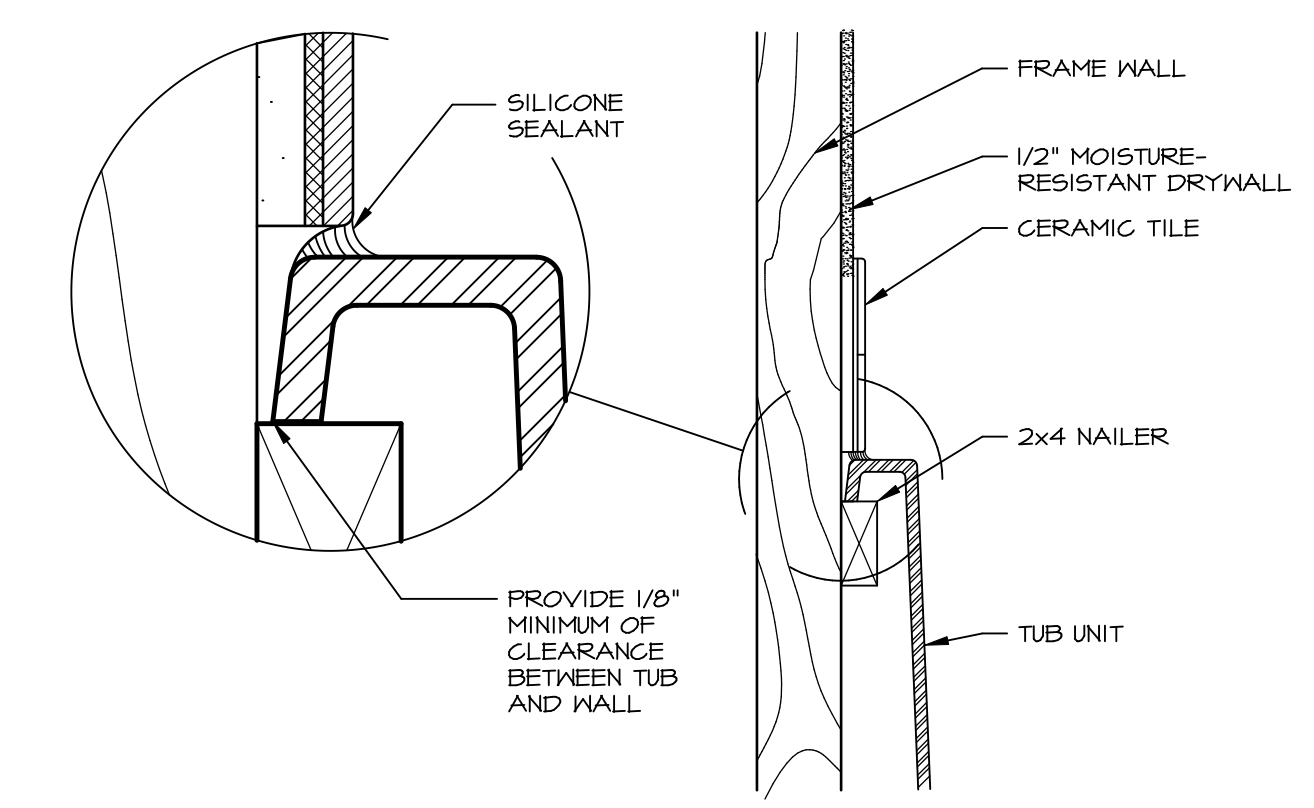


1 PLATFORM PLANS
SCALE: 1/2" = 1'-0"

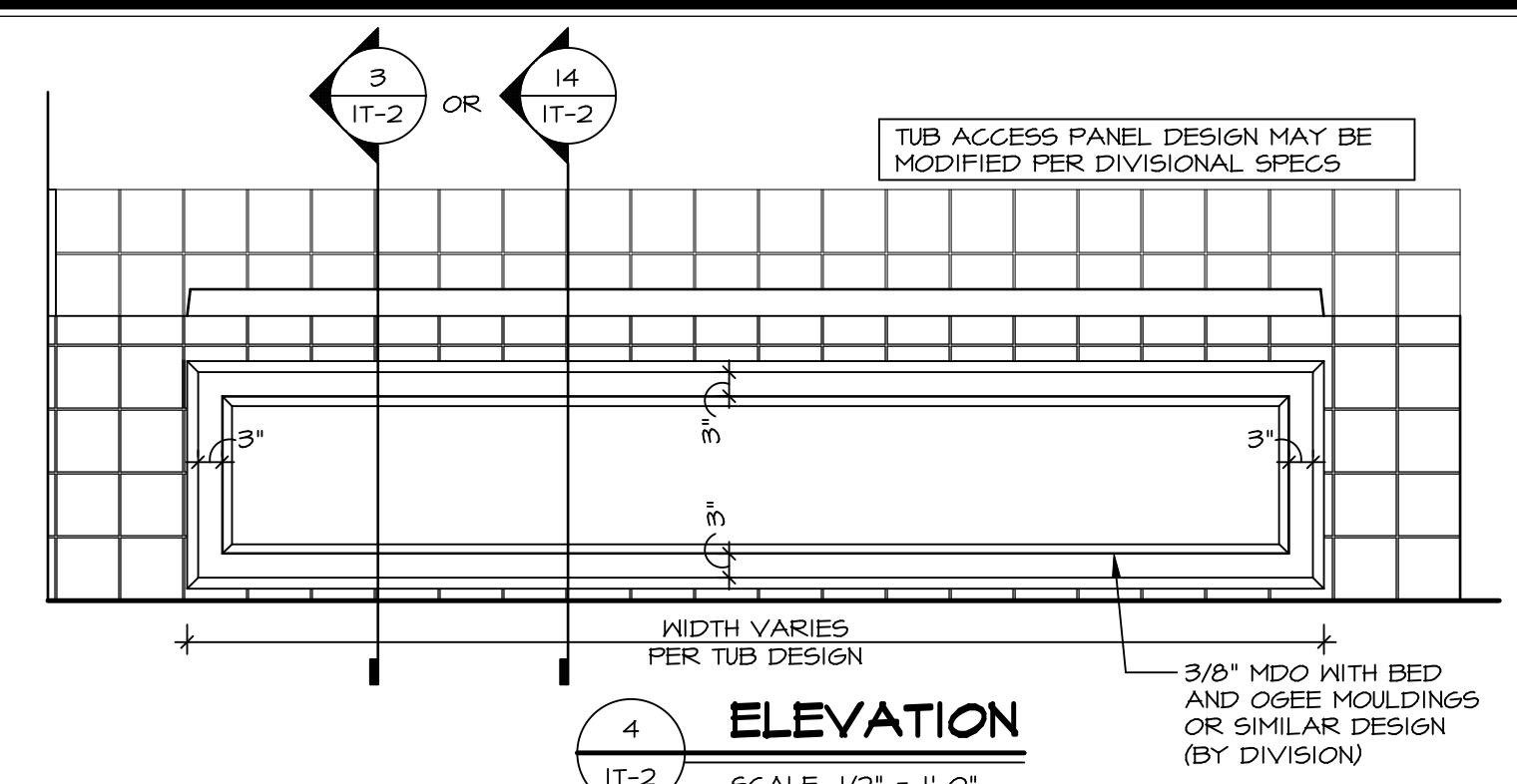
TUB	MANUF.	HEIGHT	WIDTH	LENGTH	TUB DECK PANEL HEIGHT
"A"	KOHLER/STERLING	18 3/4"	42"	60"	17 1/8"
"C"	KOHLER/STERLING	18 3/4"	36"	60"	17 1/8"
"E"	KOHLER/STERLING	19 1/2"	60"	60"	17 7/8"
"L"	KOHLER/STERLING	18 1/2"	42"	72"	16 7/8"
"N"	KOHLER/STERLING	18 3/4"	36"	72"	17 1/8"
"P"	KOHLER/STERLING	18 3/4"	42"	72"	17 1/8"



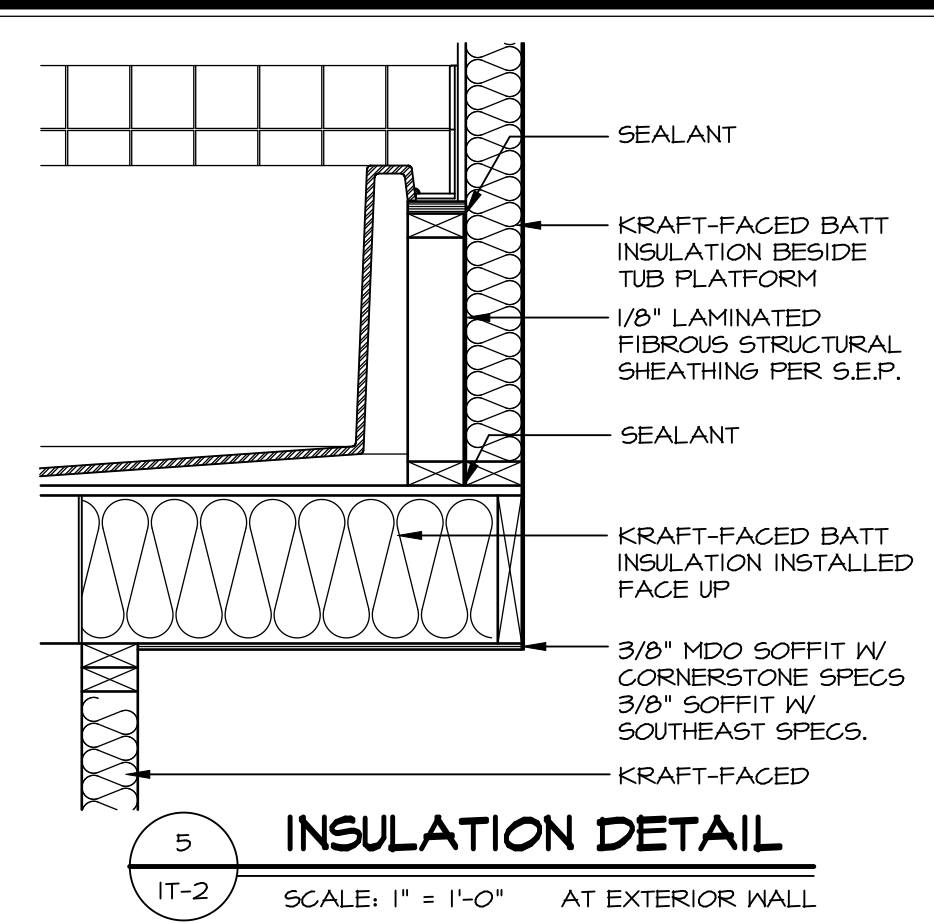
2 SECTION OF TUB ON PLATFORM CONDITION
SCALE: 1" = 1'-0"



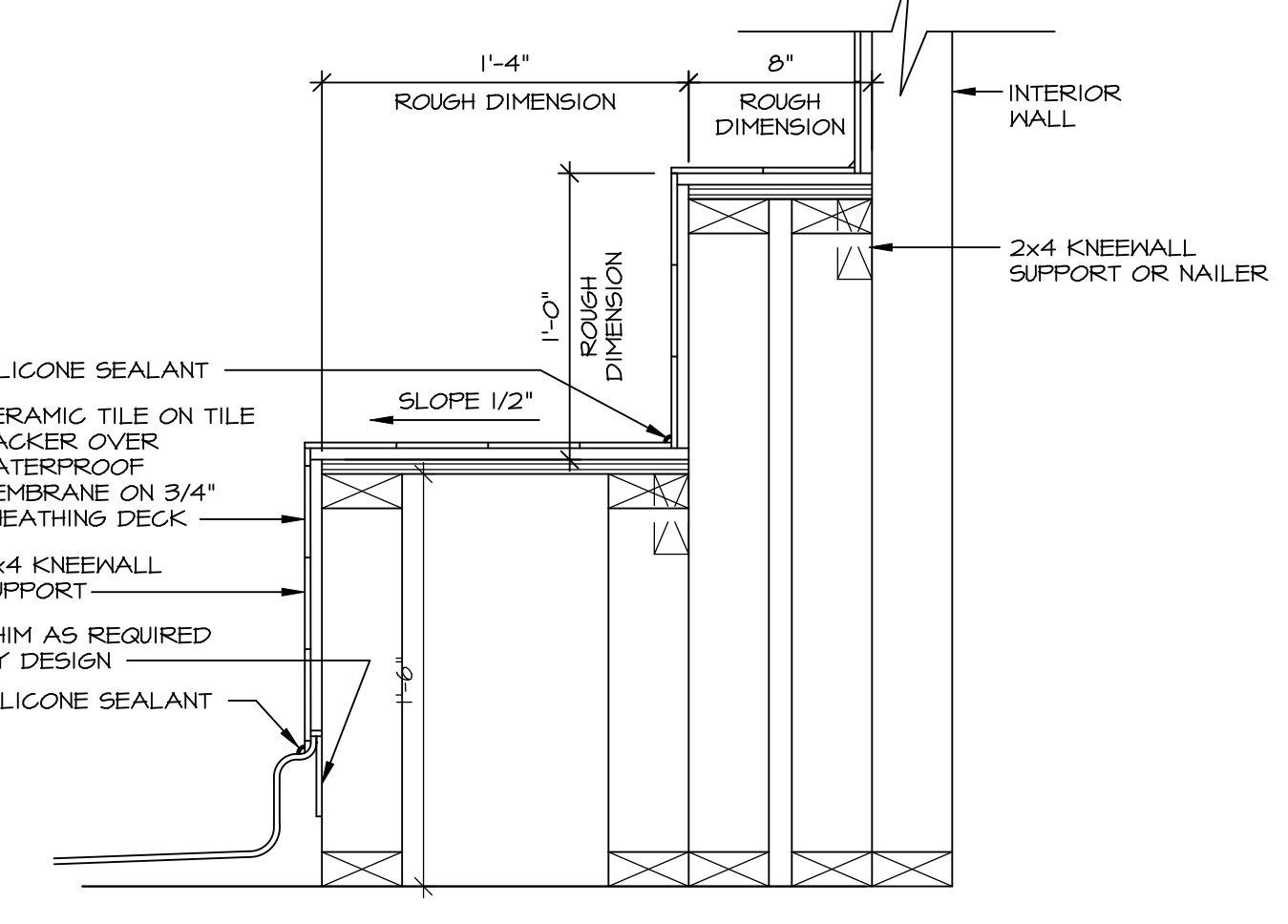
3 SECTION OF TUB TO WALL CONDITION
SCALE: 1" = 1'-0"



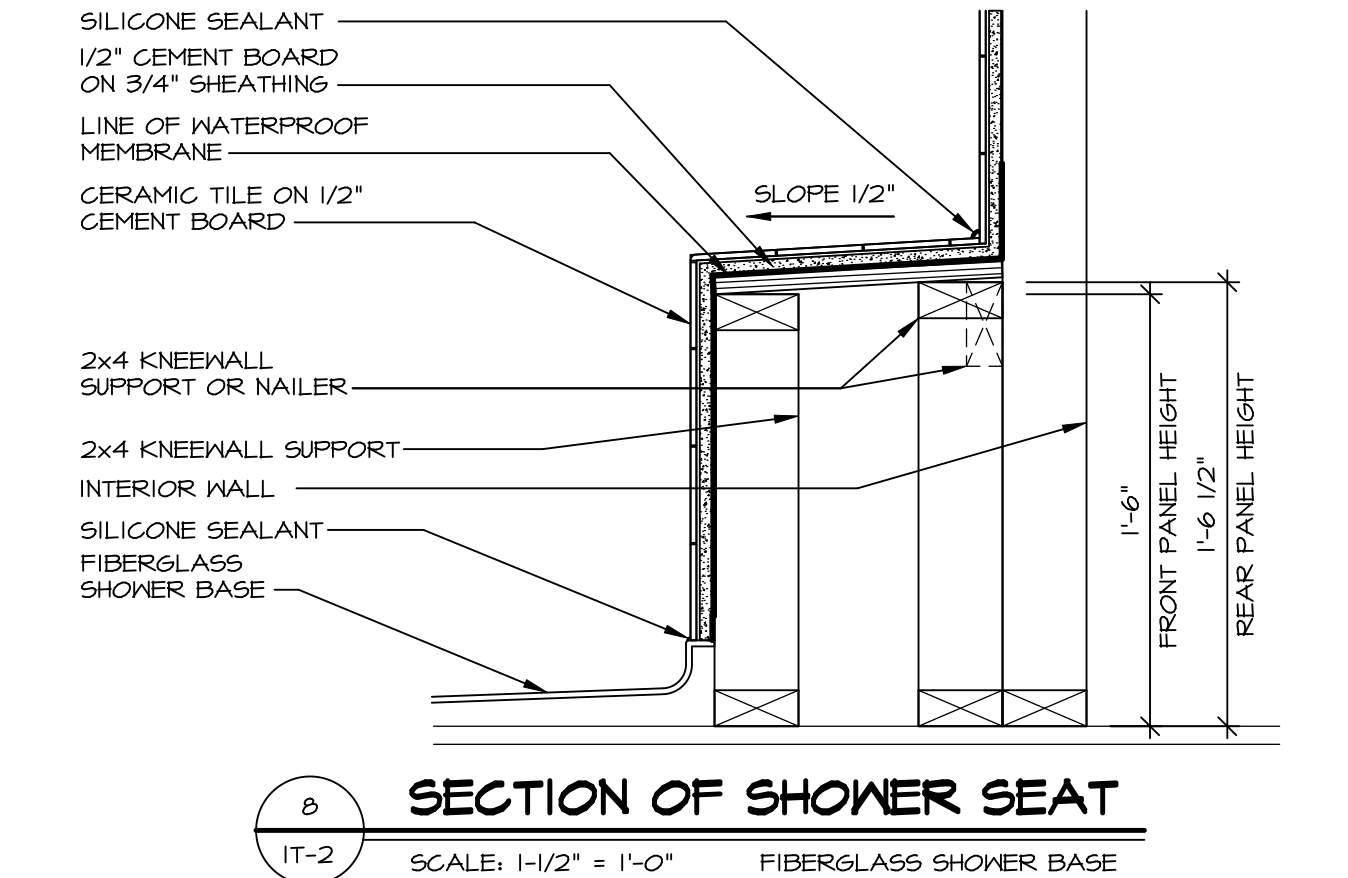
4 ELEVATION
SCALE: 1/2" = 1'-0"



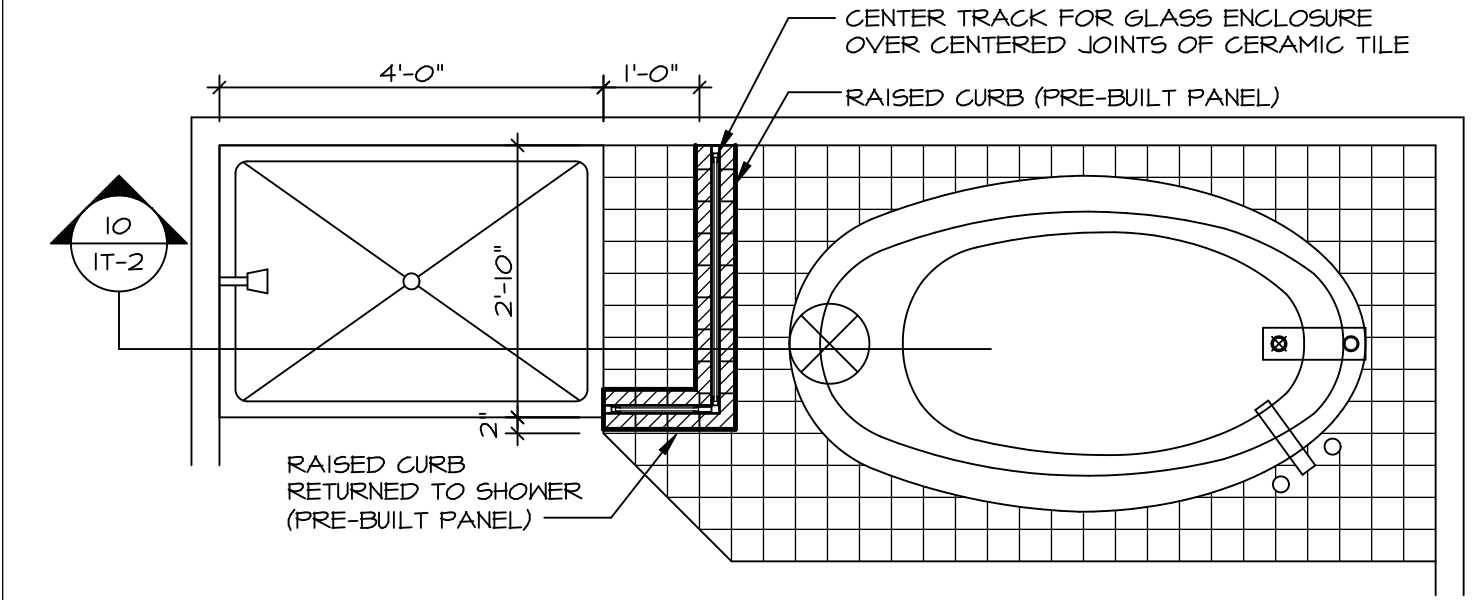
5 INSULATION DETAIL
SCALE: 1" = 1'-0" AT EXTERIOR WALL



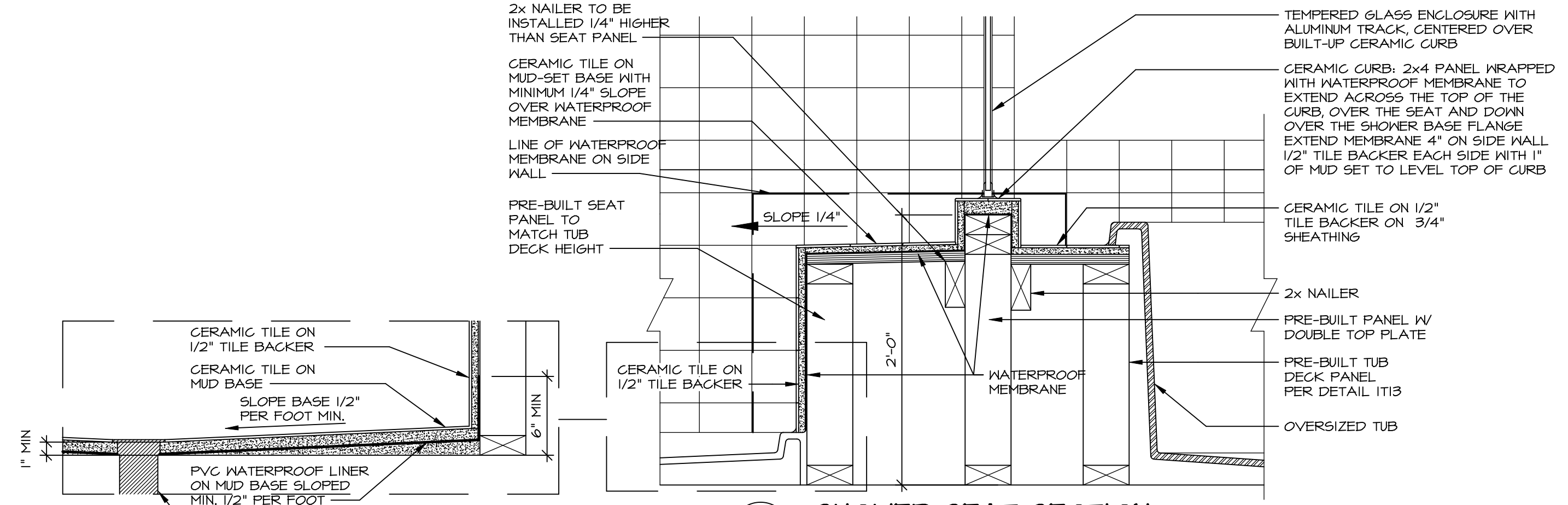
7 SECTION OF SHOWER SEAT AND SHELF
SCALE: 1/2" = 1'-0"



8 SECTION OF SHOWER SEAT
SCALE: 1-1/2" = 1'-0" FIBERGLASS SHOWER BASE



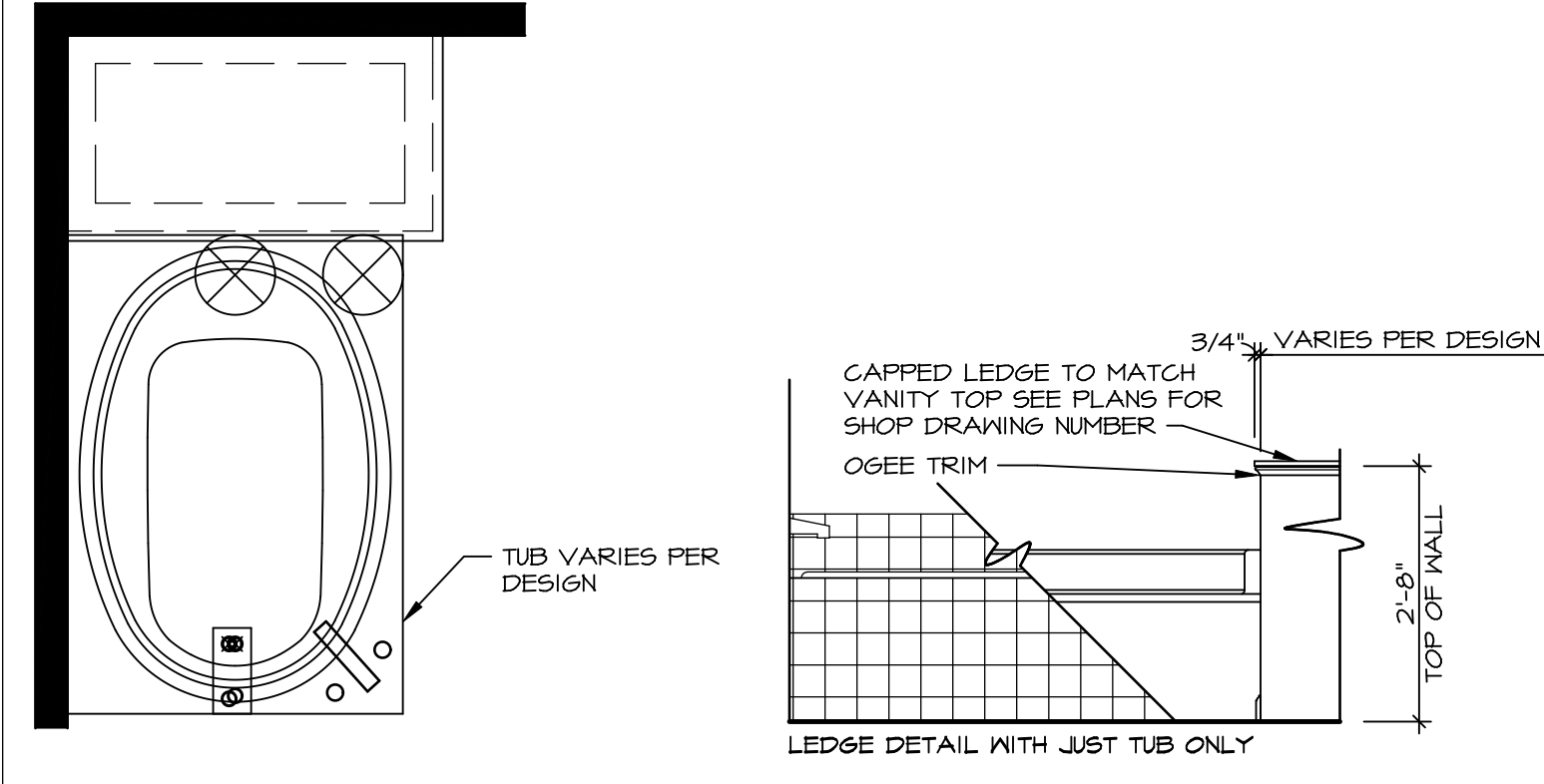
9 SHOWER SEAT PLAN / DETAIL
SCALE: 1/2" = 1'-0"



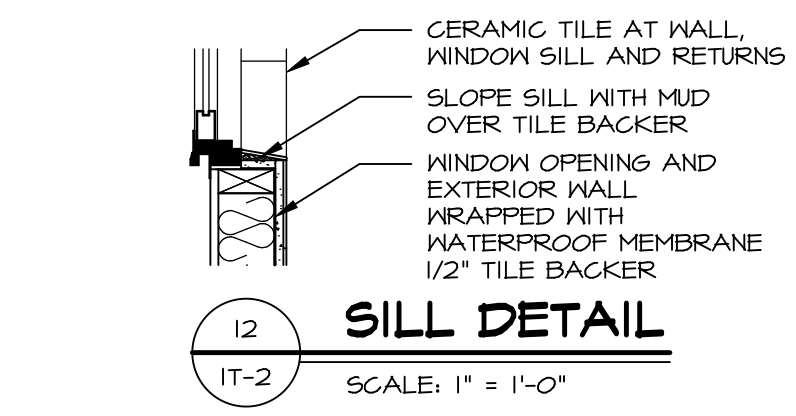
10 SHOWER SEAT SECTION
SCALE: 1-1/2" = 1'-0"



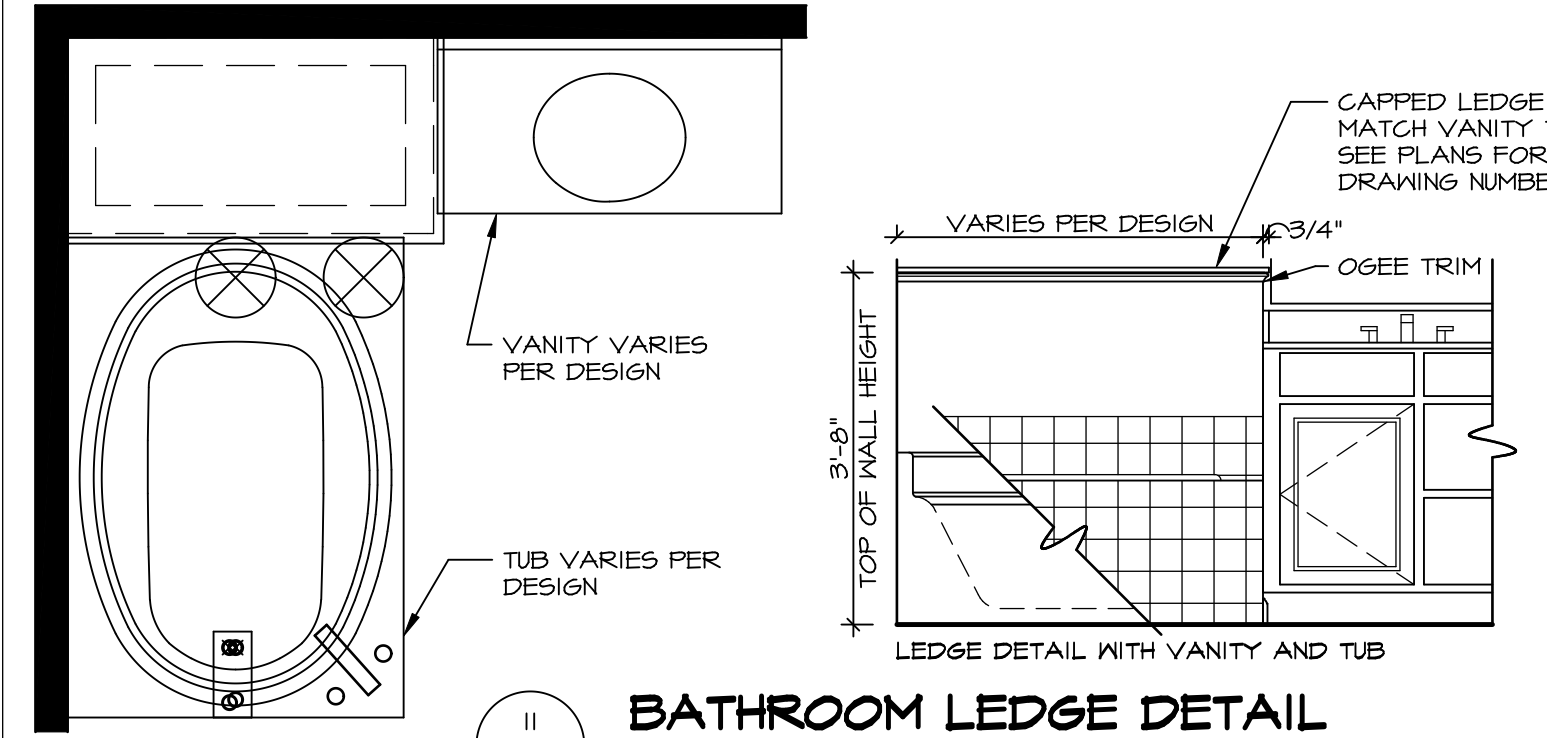
ALTERNATE SHOWER PAN DETAIL
SCALE: 1" = 1'-0"



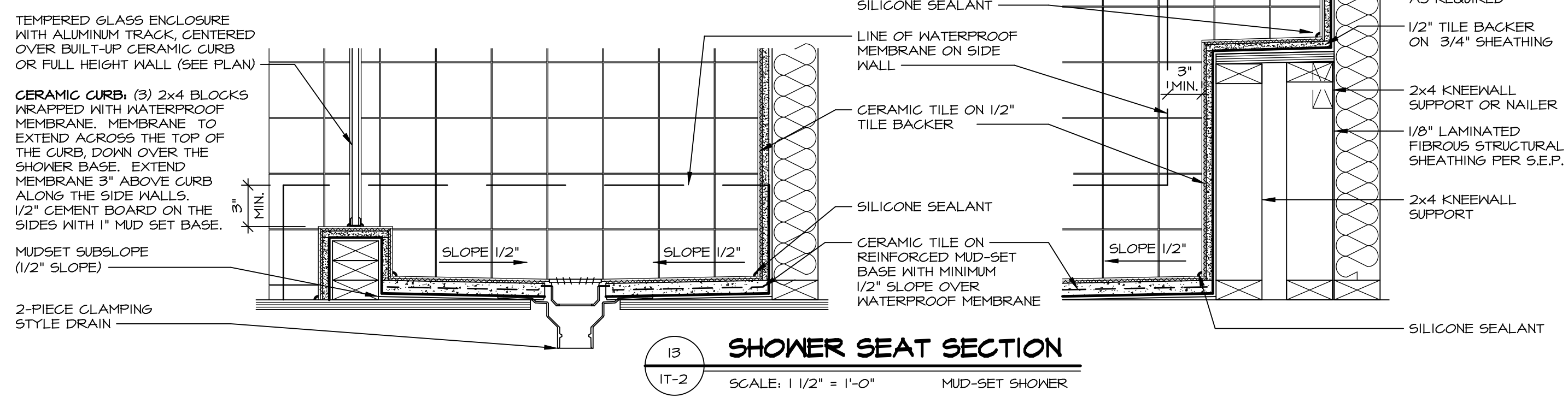
11 BATHROOM LEDGE DETAIL
SCALE: 1/2" = 1'-0"



12 SILL DETAIL
SCALE: 1" = 1'-0"



11 BATHROOM LEDGE DETAIL
SCALE: 1/2" = 1'-0"



13 SHOWER SEAT SECTION
SCALE: 1-1/2" = 1'-0" MUD-SET SHOWER

REVISIONS

REV. NO.	DATE	DESCRIPTION
1	5/11/17	EBP - REVISED DETAIL 1 AND 11 TO REMOVE TUB ACCESS PANEL REF. (095 #15 3/4) 4
2	9/21/17	EBP - REVISED T-FLY NOTE TO CALL OUT LFS
3	9/21/17	EBP - REVISED NOTE ON DETAIL #1 - REVISED ORDER OF MATERIAL PARA#4934
4	8/28/18	EBP - DTL 8 / 19 ME REMOVED THE 2X6 BULKING AT BASE OF SHWR REQUEST #4663

NVR, Inc., owner, expressly reserves its common law copyright and other property rights in these plans. These plans are not to be reproduced, stored in a retrieval system, or transmitted in any form or by any means, electronic, mechanical, photocopying, recording, or by any information storage and retrieval system, without first obtaining the expressed written consent of NVR, Inc.

NVR
Architectural Services
5285 Westpark Drive
Frederick, MD 21703

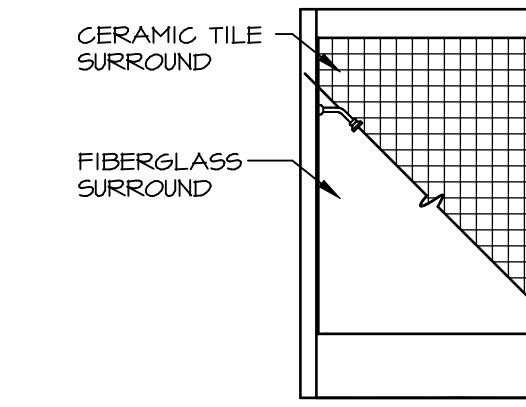
SET NO. NVR
VERSION
DRAWN BY
DATE:
OPTION

STANDARD DETAILS
DRAWING TITLE
INTERIOR TRIM DETAILS
BATH DETAILS
OPTION DESCRIPTION

SHEET NO. **IT-2**

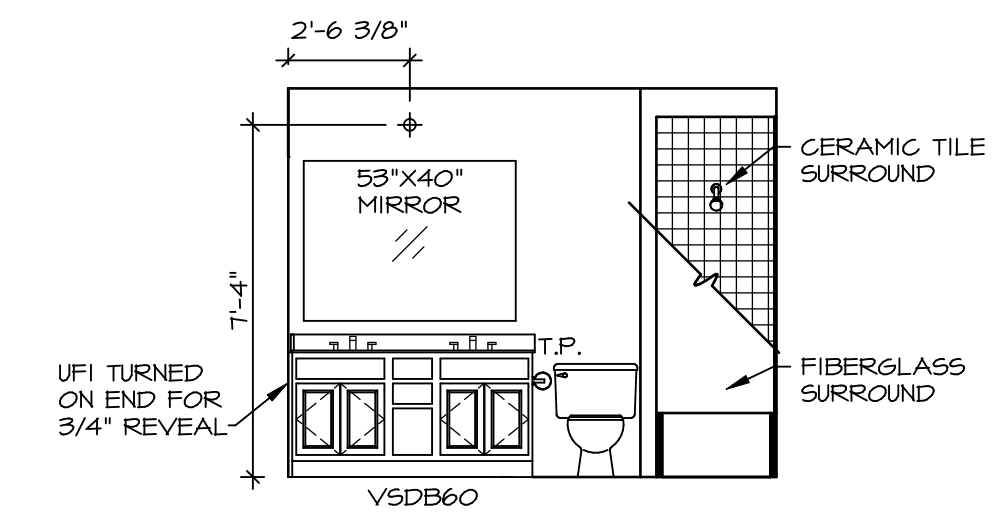
NOTES:

1. TEMPERED GLASS SHOWER ENCLOSURE WITH SLIDING DOOR OR OPTIONAL SLIDING DOOR BY DIVISION
2. TUB ACCESS PANELS PROVIDED AS NEEDED, ALL MATERIALS BY DIVISION
3. REFER TO SHEET D-XX FOR TUB AND SHOWER DETAILS.
4. ALL V5DB24-42 DRAWERS TO BE SET ON RIGHT HAND.
5. ALL BATH ELEVATIONS ARE SHOWN PER PLAN.



G BATH #1

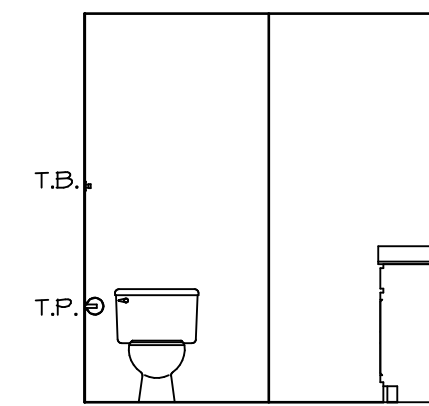
SCALE: 1/4" = 1'-0"



E BATH #1

SCALE: 1/4" = 1'-0"

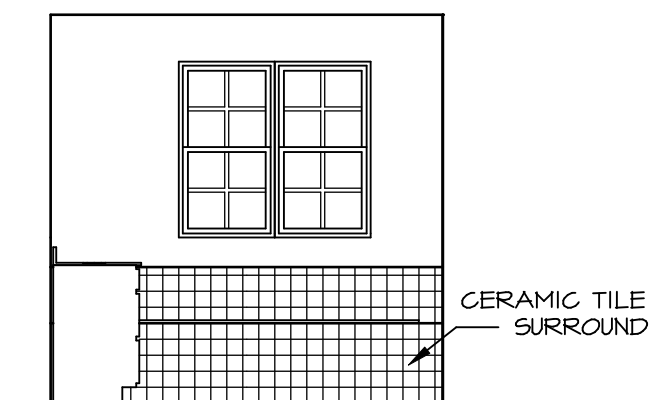
DOUBLE BOWL VANITY "VVD"



P OWNER'S BATH

SCALE: 1/4" = 1'-0"

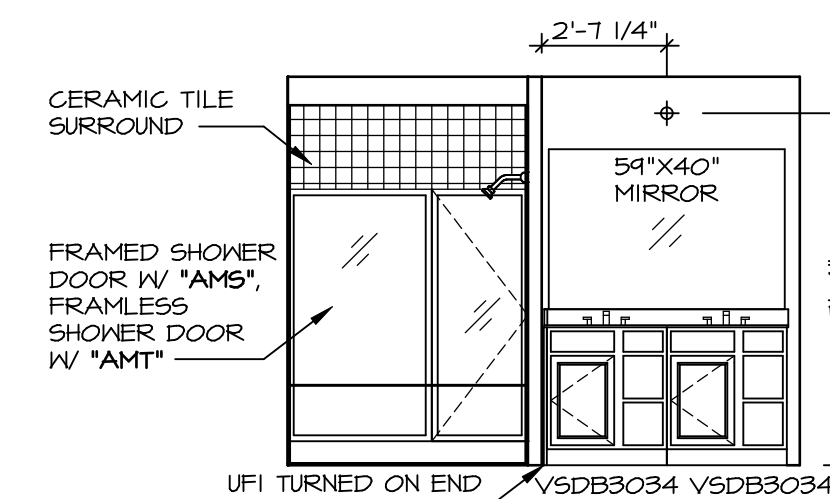
OWNER'S BATHROOM W/ SOAKING TUB AND SHOWER GLASS SURROUND "AMF"



N OWNER'S BATH

SCALE: 1/4" = 1'-0"

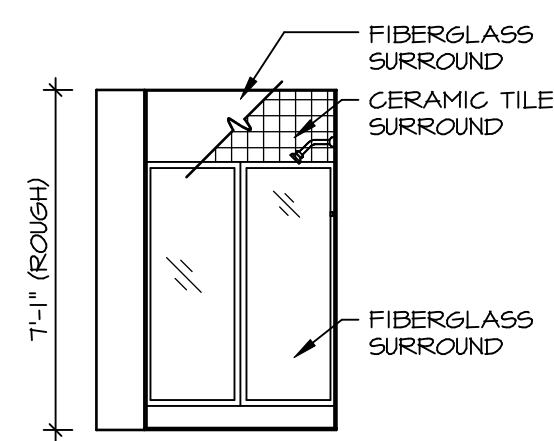
OWNER'S BATHROOM W/ SOAKING TUB AND SHOWER GLASS SURROUND "AMF"



M OWNER'S BATH

SCALE: 1/4" = 1'-0"

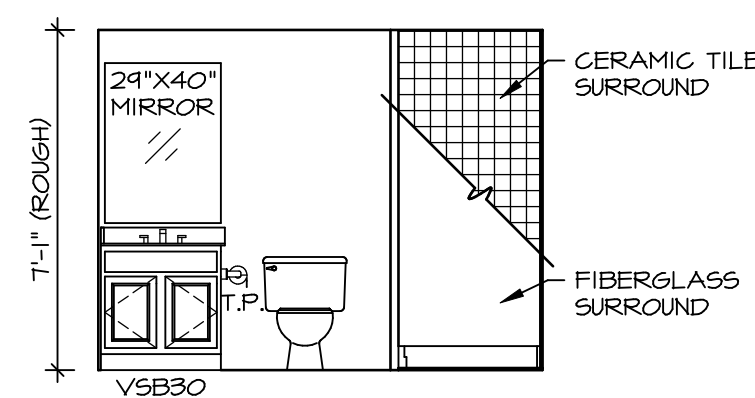
OWNER'S BATHROOM W/ SOAKING TUB AND SHOWER GLASS SURROUND "AMF"



B BASEMENT BATH

SCALE: 1/4" = 1'-0"

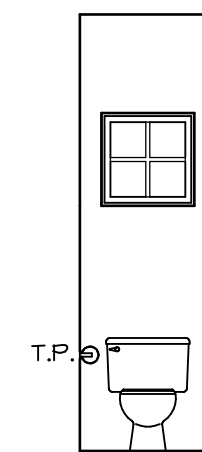
BASEMENT BATH "AEB"



A BASEMENT BATH

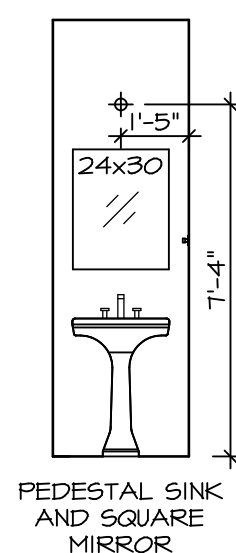
SCALE: 1/4" = 1'-0"

BASEMENT BATH "AEB"



D POWDER ROOM

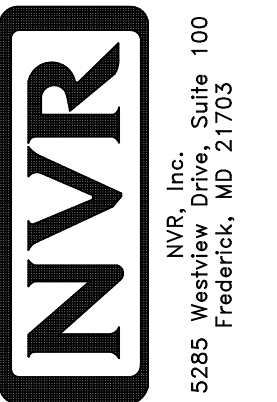
SCALE: 1/4" = 1'-0"



C POWDER ROOM

SCALE: 1/4" = 1'-0"

© NVR, Inc. expressly reserves the right to modify or change any part of these plans. These plans are not to be reproduced, changed or copied in any way without the written consent of NVR, Inc.



SET NO. CLM00
VERSION 01
DRAWN BY ARM
DATE:
OPTION

MODEL COLUMBIA
DRAWING TITLE BATH ELEVATIONS
OPTION DESCRIPTION

SHEET NO. A-13
46

DIV-COMM-LOT-UNIT DCY-CH-S354
COMM-LOT
CARRIAGE TRAILS - S354
STREET ADDRESS 4931 LAKESIDE STREET
CITY TIPP CITY
STATE OH
ZIP 45371