

1 PLUMBING PLAN  
A-5 SCALE: 1/4" = 1'-0"

**NOTE**  
 RADON REMEDIATION  
 RADON LOOP:  
 - (4") PERFORATED HDPE "LOOP"  
 - MUST BE PLACED IN STONE BED SLIGHTLY HIGHER THAN ANY INTERIOR DRAINTILE  
 - LOOP TO BE SEPARATE FROM ANY DRAINTILE ELEMENTS  
 - TO BE CORRUGATED HDPE PIPE  
 - SCREENS TO BE INSTALLED THROUGH LOOP AT TEE UP INTO STACK  
 STACK REQUIREMENTS:  
 - 3" PVC STACK (4" IF BASEMENT IS GREATER THAN 2200 SQFT.)  
 - NO PART OF STACK IS TO BE HORIZONTAL  
 - PIPE TO BE PHYSICALLY LABELED IN THE FIELD AS "RADON VENT" OR OTHER JURISDICTIONALLY REQUIRED LANGUAGE (ON EVERY LEVEL OF HOUSE)  
 - ROOF TERMINATION TO BE IN TOP 1/3 OF ROOF  
 - SCREEN INSTALLED TO KEEP PESTS OUT OF RADON VENT AT ROOF TERMINATION

SHEET NO.	A-5	OPTION DESCRIPTION	25
MODEL	LEHIGH	OPTION	
DRAWING TITLE	PLUMBING PLAN	DATE:	
SET NO.	LGH00	VERSION	01
DRAWN BY		OPTION	

**NVR**  
 NVR, Inc., Suite 100  
 Frederick, MD 21703

© NVR, Inc. expressly reserves the right to modify or amend these plans without notice. These plans are not to be reproduced, changed or altered in any way without the written consent of NVR, Inc.

DIV-COMM-LOT-UNIT	DCY-CH-5368
COMM-LOT	CARRIAGE TRAILS - 5368
STREET ADDRESS	4259 LAKESIDE STREET
CITY	TIPP CITY
STATE	OH
ZIP	45371
APT. NO.	----

**LEGEND**

	BEARING WALL
	NON BEARING WALL
	INDICATES BEARING FROM POINT-LOAD ABOVE
	JACKS
	BEAM/HEADER
	PAD FOOTING
	STEEL COLUMN
	PORTAL FRAME
	JOIST/TRUSS
	LVL
	ENGINEERING PAGE NUMBER

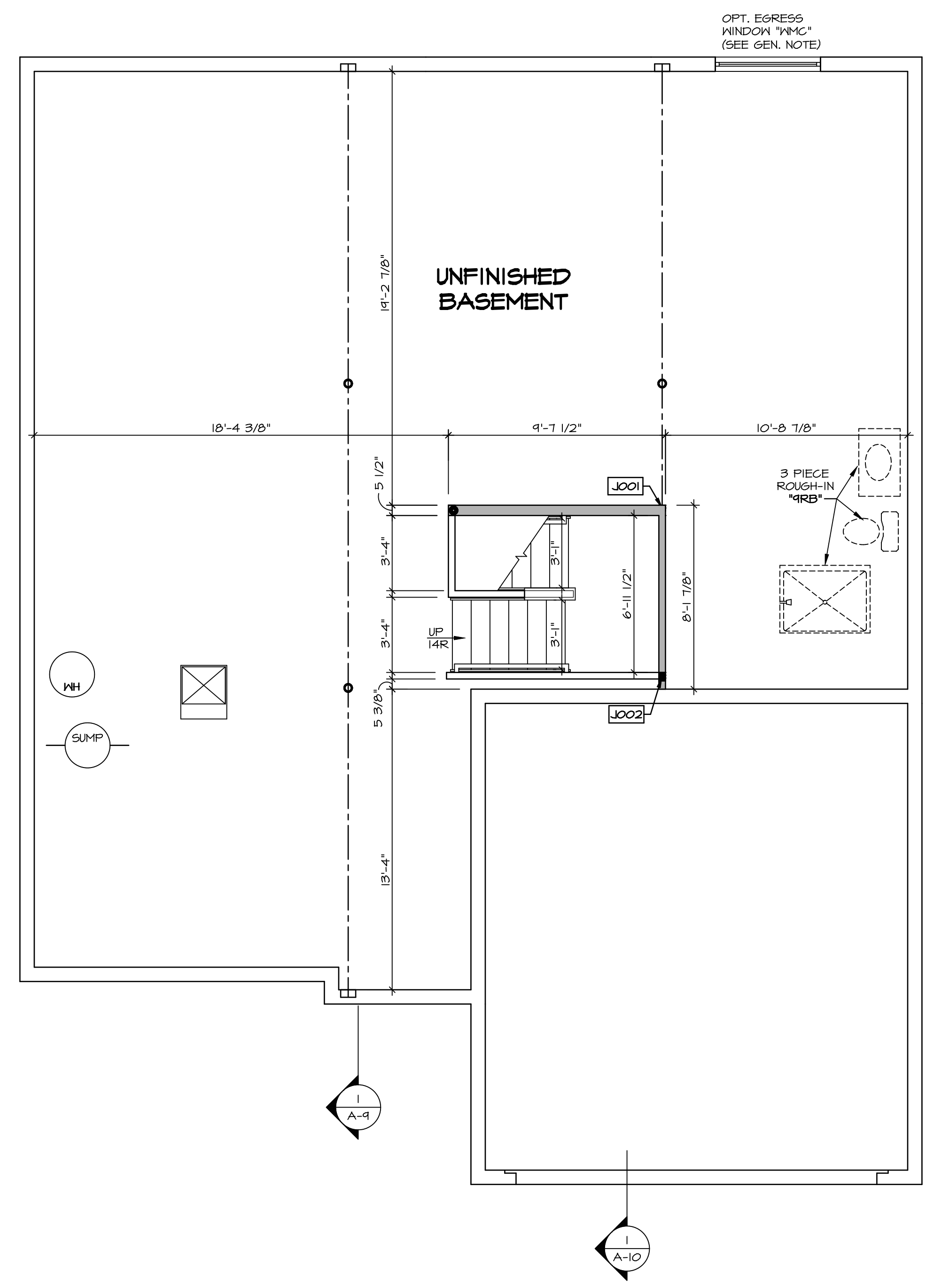
SEE FC DETAILS FOR FRAMING CONNECTORS

- FLOOR PLAN NOTES**
- ALL HEADERS ARE (2) 2x6 w/ 2x4 WALLS OR (3) 2x6 w/ 2x6 WALLS, UNLESS OTHERWISE NOTED.
  - ALL HEADERS TO HAVE (1) 2x4 OR 2x6 JACK AND KING STUD EACH END, UNLESS OTHERWISE NOTED.
  - ALL EXTERIOR WALLS TO BE 4" w/ OSB OR 3 1/2" w/ LAMINATED FIBROUS STRUCTURAL SHEATHING, ALL INTERIOR WALLS TO BE 3 1/2", UNLESS OTHERWISE NOTED.
  - HATCHED AREAS INDICATE DROPPED CEILINGS. ALL DROPPED CEILINGS ARE 12" UNLESS OTHERWISE NOTED.
  - SEE "BRACED WALL PANEL DETAIL SHEET" FOR SPECIAL WALL FRAMING LOCATIONS AND HEADER SIZES, IF APPLICABLE.
  - SEE STANDARD DETAIL CATEGORY "11" SHEET(S) FOR INTERIOR TRIM DETAILS.
  - SEE ARCHITECTURAL DETAIL SHEET "AD" FOR HOUSE SPECIFIC INTERIOR TRIM OPTION TABLE.
  - ALL WINDOWS HAVE "T-O 1/2" HEADER HEIGHT UNLESS OTHERWISE NOTED.
  - ALL HEADERS IN NON-BEARING WALLS SHALL BE A SINGLE FLAT 2x4 OR 2x6 ATTACHED TO CRIPPLES ABOVE, UNLESS OTHERWISE NOTED.
  - TANKED WATER HEATER SHOWN AS BASE CONDITION, OPTIONAL TANKLESS WATER HEATER IS AVAILABLE IN LIEU OF TANKED WATER HEATER.

- GYPSUM NOTES**
- AT GARAGE:  
GYPSUM BOARD AT COMMON WALLS, CEILINGS, BEAM WRAPS AND SUPPORTS PER STANDARD DETAIL FA-1(b) FIRE ASSEMBLIES OR AS REQUIRED BY LOCAL CODE.
- AT STAIRS:  
1/2" GYPSUM BOARD AT UNDERSIDE OF STAIRS AND WALLS IN CLOSET

**BASEMENT JACK SCHEDULE**

IDENTIFIER	DESCRIPTION	OPTIONS	ENG. NUM.	REMARKS
J001	JACK - (2) 2X4 SPF STUD GRADE		B0001, B0015	
J002	JACK - (8) 2X4 SPF STUD GRADE		B0007	



**BASEMENT FLOOR PLAN**  
SCALE: 1/4" = 1'-0"

© NVR, Inc. expressly reserves the right to modify or change these plans at any time without notice. These plans are not to be reproduced, changed or altered in any way without the written consent of NVR, Inc.

**NVR**  
NVR, Inc., Suite 100  
Frederick, MD 21703

SET NO. LGH00  
VERSION 01  
DRAWN BY  
DATE:  
OPTION

MODEL  
**LEHIGH**  
DRAWING TITLE  
BASEMENT FLOOR PLAN  
OPTION DESCRIPTION

SHEET NO.  
**A-6**

OPTION DESCRIPTION  
**2B**

DIV-COMM-LOT-UNIT  
**DCY-CH-S368**

COMM-LOT  
CARRIAGE TRAILS - 9368

STREET ADDRESS  
4299 LAKESIDE STREET

CITY  
TIFF CITY

STATE  
OH

APT. NO.  
----

ZIP  
45971

C:\NVR\Solves\LEHIGH\_LGH00\_01\DCY-CH-S368\1001016\Sheets\Lot\_Specific\2B A-6\_BSM1\_LS.dwg 01/14/20 - 2:52 am

**LEGEND**

- BEARING WALL
- NON BEARING WALL
- INDICATES BEARING FROM POINT-LOAD ABOVE
- JACKS
- BEAM/HEADER
- PAD FOOTING
- STEEL COLUMN
- PORTAL FRAME
- JOIST/TRUSS
- LVL
- ENGINEERING PAGE NUMBER

SEE FC DETAILS FOR FRAMING CONNECTORS

- FLOOR PLAN NOTES**
- ALL HEADERS ARE (2) 2x6 W/ 2x4 WALLS OR (3) 2x6 W/ 2x6 WALLS, UNLESS OTHERWISE NOTED.
  - ALL HEADERS TO HAVE (1) 2x4 OR 2x6 JACK AND KING STUD EACH END, UNLESS OTHERWISE NOTED.
  - ALL EXTERIOR WALLS TO BE 4" W/ OSB OR 3 1/2" W/ LAMINATED FIBROUS STRUCTURAL SHEATHING, ALL INTERIOR WALLS TO BE 3 1/2", UNLESS OTHERWISE NOTED.
  - HATCHED AREAS INDICATE DROPPED CEILINGS. ALL DROPPED CEILINGS ARE 12" UNLESS OTHERWISE NOTED.
  - SEE "BRACED WALL PANEL DETAIL SHEET" FOR SPECIAL WALL FRAMING LOCATIONS AND HEADER SIZES, IF APPLICABLE.
  - SEE STANDARD DETAIL CATEGORY "11" SHEET(S) FOR INTERIOR TRIM DETAILS.
  - SEE ARCHITECTURAL DETAIL SHEET "AD" FOR HOUSE SPECIFIC INTERIOR TRIM OPTION TABLE.
  - ALL WINDOWS HAVE 7'-0" 1/2" HEADER HEIGHT UNLESS OTHERWISE NOTED.
  - ALL HEADERS IN NON-BEARING WALLS SHALL BE A SINGLE FLAT 2x4 OR 2x6 ATTACHED TO GRIPPLIES ABOVE, UNLESS OTHERWISE NOTED.
  - TANKED WATER HEATER SHOWN AS BASE CONDITION, OPTIONAL TANKLESS WATER HEATER IS AVAILABLE IN LIEU OF TANKED WATER HEATER.

- GYPSUM NOTES**
- AT GARAGE:  
GYPSUM BOARD AT COMMON WALLS, CEILING, BEAM WRAPS AND SUPPORTS PER STANDARD DETAIL FA-1(b) FIRE ASSEMBLIES OR AS REQUIRED BY LOCAL CODE.
- AT STAIRS:  
1/2" GYPSUM BOARD AT UNDERSIDE OF STAIRS AND WALLS IN CLOSET

**FIRST FLOOR JACK SCHEDULE**

IDENTIFIER	DESCRIPTION	OPTIONS	ENG. NUM.
J100	JACK - (5) 2X4 SFF#		2000
J103	JACK - (4) 2X6 SFF STUD GRADE	ELC	2000
J106	JACK - (3) 2X6 SFF STUD GRADE		1016
J107	JACK - (4) 2X4 SFF STUD GRADE		1016
J108	JACK - (2) 2X4 SFF STUD GRADE		1036
J104	JACK - (2) 2X4 SFF STUD GRADE		1032
J114	JACK - (2) 2X4 SFF STUD GRADE		1013
J115	JACK - (3) 2X6 SFF STUD GRADE		1013
J118	JACK - (2) 2X4 SFF STUD GRADE		1026
J119	JACK - (5) 2X6 SFF#	5XC	1044, 1044
J120	JACK - (5) 2X6 SFF STUD GRADE	GCB, GCF	1044, 1044
J121	JACK - (2) 2X4 SFF STUD GRADE	GCB, GCF	1055
J122	JACK - (2) 2X4 SFF STUD GRADE	GCB, GCF	1055

**LVL PLY TO PLY FASTENING SCHEDULE:** (WHERE APPLICABLE BASED ON LVL USAGE)

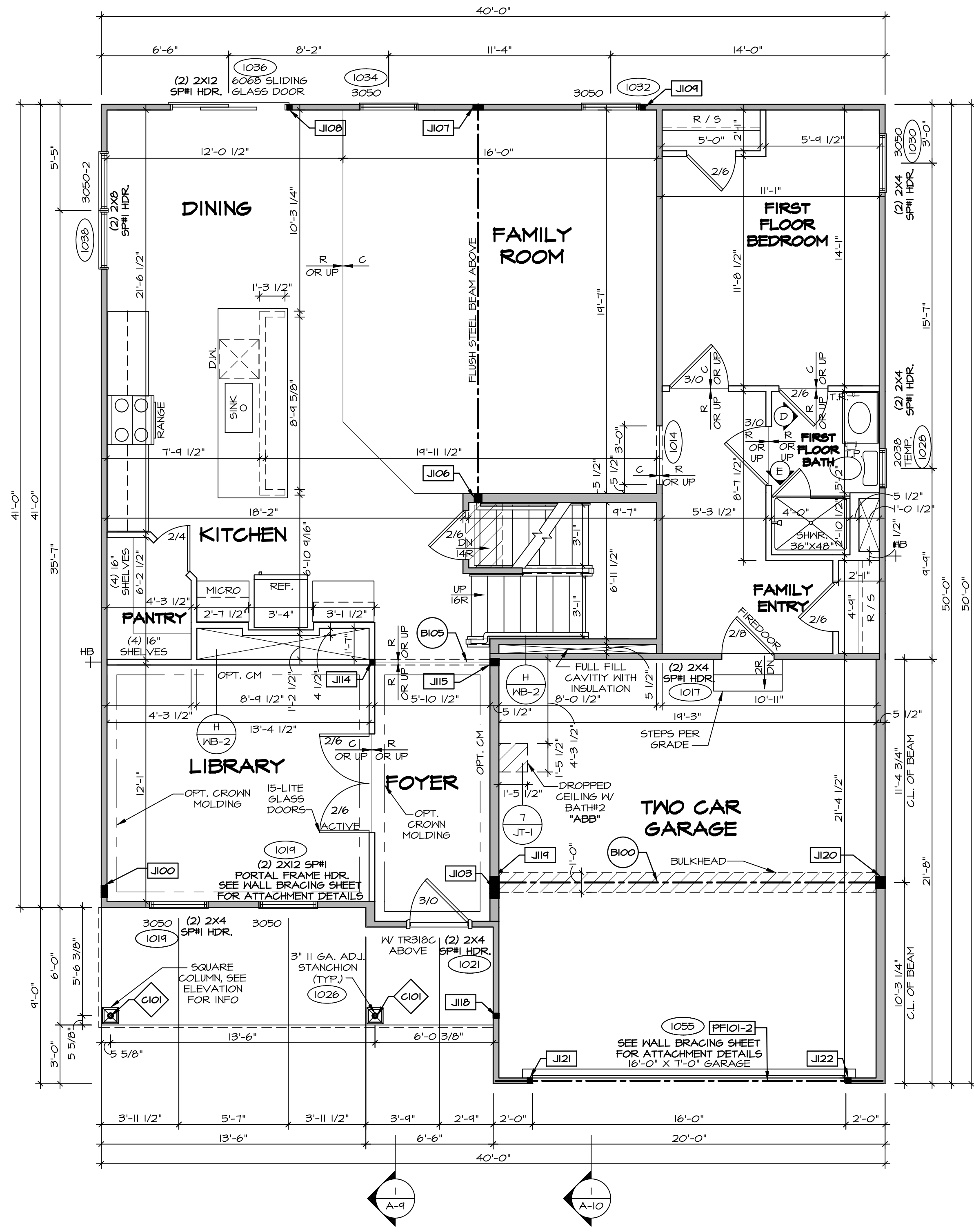
- 1A - (2) PLY UP TO AND INCLUDING 11 7/8" TALL; FASTEN PLYS W/ (2) ROWS 16D NAILS AT 12" O.C. OR ALT 1 1/2" WIDE LVL FASTEN PLYS W/ (3) ROWS 12D NAILS AT 12" O.C.
- 2A - (2) PLY 14" TO AND 18" TALL (INCLUSIVE); FASTEN PLYS W/ (3) ROWS 16D NAILS AT 12" O.C. OR ALT 1 1/2" WIDE LVL FASTEN PLYS W/ (4) ROWS 12D NAILS AT 12" O.C.
- 3A - (2) PLY 20" TALL AND OVER; FASTEN PLYS W/ (4) ROWS 16D NAILS AT 12" O.C. OR ALT 1 1/2" WIDE LVL FASTEN PLYS W/ (5) ROWS 12D NAILS AT 12" O.C.
- 4A - (3) PLY UP TO AND INCLUDING 11 7/8" TALL; FASTEN PLYS W/ (2) ROWS 16D NAILS AT 12" O.C. FROM EACH SIDE OR ALT 1 1/2" WIDE LVL FASTEN PLYS W/ (3) ROWS 12D NAILS AT 12" O.C. FROM EACH SIDE.
- 5A - (3) PLY 14" TO AND 18" TALL (INCLUSIVE); FASTEN PLYS W/ (3) ROWS 16D NAILS AT 12" O.C. FROM EACH SIDE OR ALT 1 1/2" WIDE LVL FASTEN PLYS W/ (4) ROWS 12D NAILS AT 12" O.C. FROM EACH SIDE.
- 6A - (3) PLY 20" TALL AND OVER; FASTEN PLYS W/ (4) ROWS 16D NAILS AT 12" O.C. FROM EACH SIDE OR ALT 1 1/2" WIDE LVL FASTEN PLYS W/ (5) ROWS 12D NAILS AT 12" O.C. FROM EACH SIDE.
- 7A - (4) PLY (ALL SIZES); FASTEN PLYS W/ (2) ROWS 1/2" DIAMETER A307 BOLTS AT 24" O.C. SEE SHOP DRAWING FOR ADDITIONAL INFORMATION.

**FIELD INSTALLED FIRST FLOOR BEAM/HEADER SCHEDULE**

IDENTIFIER	DESCRIPTION	LENGTH	OPTIONS	ENG. NUM.	REMARKS
B100	BEAM STEEL - W12X35	20'-1 1/2"	5XC	1044, 1044	
B105	INT HEADER - 2XB - 2 PLY	6'-7"		1073	
PF101-2	LVL 1.75 - 11-04	19'-4"	GCB, GCF	1055	2-PLY, 1A, PORTAL FRAME

**STEEL COLUMN SCHEDULE**

IDENTIFIER	STYLE	HEIGHT	OPTIONS	ENG. NUM.	REMARKS
C101	STANCHION PORCH - 3 IN DIA 116A ADJ	8'-8 5/8"		1026	



**FIRST FLOOR PLAN**  
SCALE: 1/4" = 1'-0"

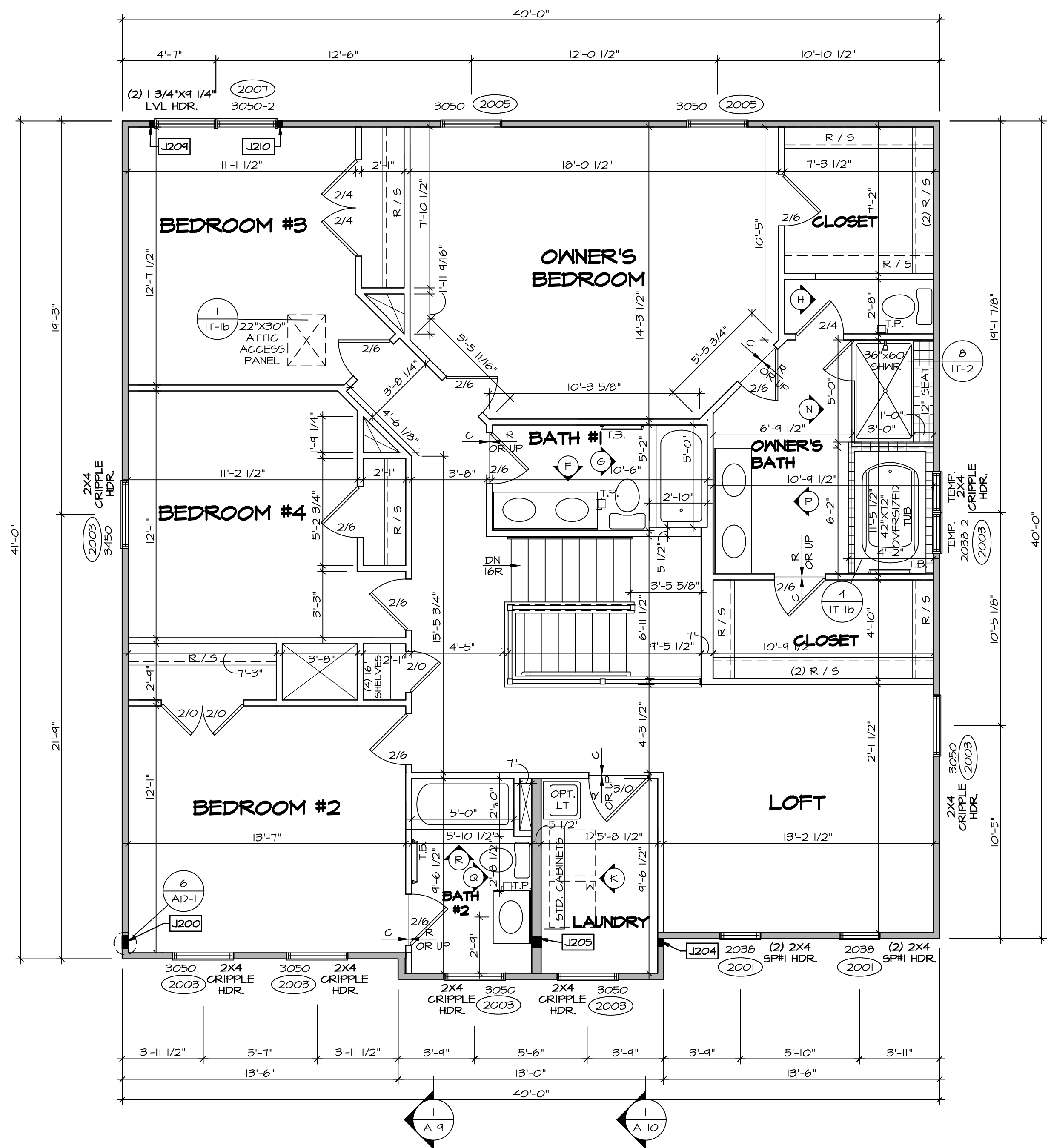
DCY-CH-5368  
COMMITTEE  
CARRIAGE TRAILS - 5368  
STREET ADDRESS  
4259 LAKESIDE STREET  
CITY TIPP CITY  
STATE OH  
ZIP 45371

NVR, Inc. expressly reserves the right to modify these plans without notice. These plans are not to be reproduced, changed or altered in any way without the written consent of NVR, Inc.

**NVR**  
NVR, Inc. Suite 100  
5285 Washington Blvd.  
Friedrich, MD 21703

MODEL: LEHIGH  
DRAWING TITLE: FIRST FLOOR PLAN  
OPTION DESCRIPTION: 30

SHEET NO. A-7  
VERSION: 01  
DRAWN BY:  
DATE:  
OPTION:



**SECOND FLOOR PLAN**  
SCALE: 1/4" = 1'-0"

**LEGEND**

	BEARING WALL
	NON BEARING WALL
	INDICATES BEARING FROM POINT-LOAD ABOVE
	JACKS
	BEAM/HEADER
	PAD FOOTING
	STEEL COLUMN
	PORTAL FRAME
	JOIST/TRUSS
	LVL
	ENGINEERING PAGE NUMBER

SEE FC DETAILS FOR FRAMING CONNECTORS

- FLOOR PLAN NOTES**
- ALL HEADERS ARE (2) 2x6 w/ 2x4 WALLS OR (3) 2x6 w/ 2x6 WALLS, UNLESS OTHERWISE NOTED.
  - ALL HEADERS TO HAVE (1) 2x4 OR 2x6 JACK AND KING STUD EACH END, UNLESS OTHERWISE NOTED.
  - ALL EXTERIOR WALLS TO BE 4" w/ OSB OR 3 1/2" w/ LAMINATED FIBROUS STRUCTURAL SHEATHING. ALL INTERIOR WALLS TO BE 3 1/2", UNLESS OTHERWISE NOTED. HATCHED AREAS INDICATE DROPPED CEILINGS. ALL DROPPED CEILINGS ARE 12" UNLESS OTHERWISE NOTED.
  - SEE "BRACED WALL PANEL DETAIL SHEET" FOR SPECIAL WALL FRAMING LOCATIONS AND HEADER SIZES, IF APPLICABLE.
  - SEE STANDARD DETAIL CATEGORY "IT" SHEET(S) FOR INTERIOR TRIM DETAILS.
  - SEE ARCHITECTURAL DETAIL SHEET "AD" FOR HOUSE SPECIFIC INTERIOR TRIM OPTION TABLE.
  - ALL WINDOWS HAVE "T-O 1/2" HEADER HEIGHT UNLESS OTHERWISE NOTED.
  - ALL HEADERS IN NON-BEARING WALLS SHALL BE A SINGLE FLAT 2x4 OR 2x6 ATTACHED TO CRIPPLES ABOVE, UNLESS OTHERWISE NOTED.
  - TANKED WATER HEATER SHOWN AS BASE CONDITION. OPTIONAL TANKLESS WATER HEATER IS AVAILABLE IN LIEU OF TANKED WATER HEATER.

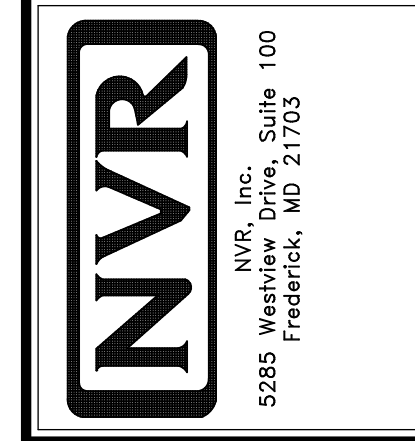
- GYPSUM NOTES**
- AT GARAGE:  
GYPSUM BOARD AT COMMON WALLS, CEILINGS, BEAM WRAPS AND SUPPORTS PER STANDARD DETAIL FA-1(b) FIRE ASSEMBLIES OR AS REQUIRED BY LOCAL CODE.
- AT STAIRS:  
1/2" GYPSUM BOARD AT UNDERSIDE OF STAIRS AND WALLS IN CLOSET

**SECOND FLOOR JACK SCHEDULE**

IDENTIFIER	DESCRIPTION	OPTIONS	ENG. NUM.	REMARKS
J200	JACK - (5) 2X4 SPM		2000	1/8"x3 1/2"x1 1/2" STEEL BEARING PLATE, EXTEND THRU TOP PLATES
J204	JACK - (3) 2X4 SFF STUD GRADE	ELC	2000	EXTEND THRU TOP PLATE
J205	JACK - (4) 2X4 SFF STUD GRADE	ELC	2000	EXTEND THRU TOP PLATE
J209	JACK - (2) 2X4 SFF STUD GRADE		2001	
J210	JACK - (2) 2X4 SFF STUD GRADE		2001	

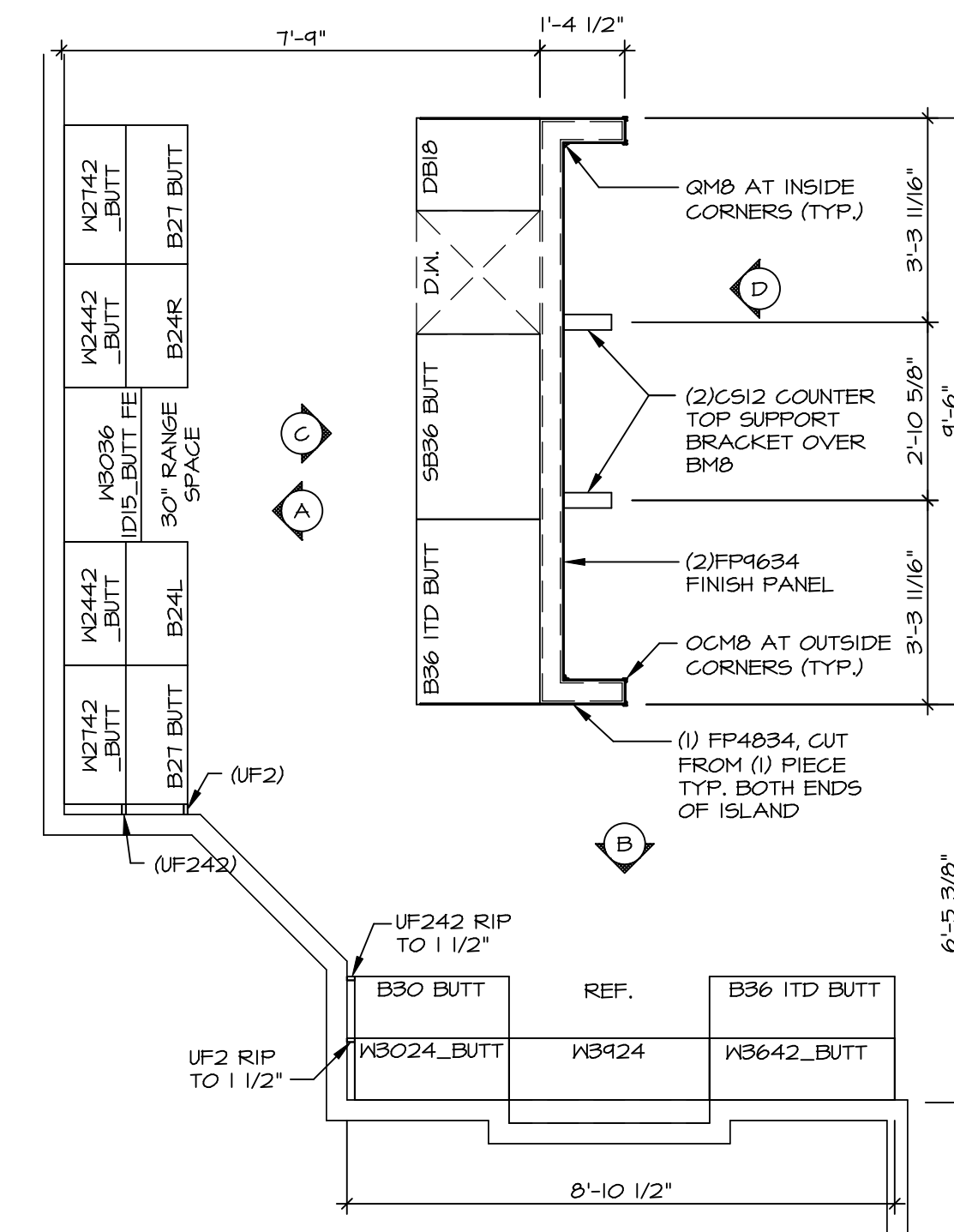
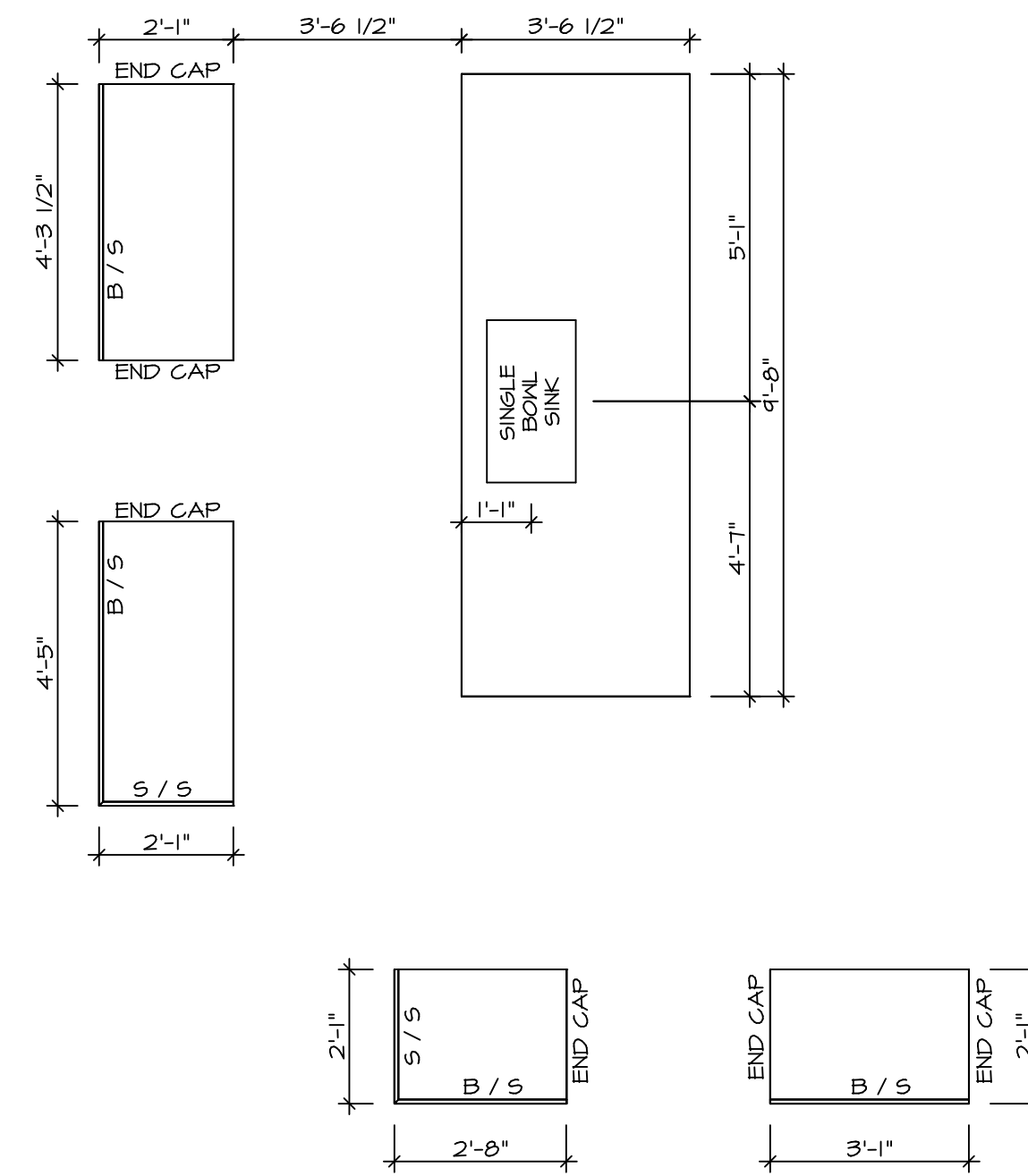
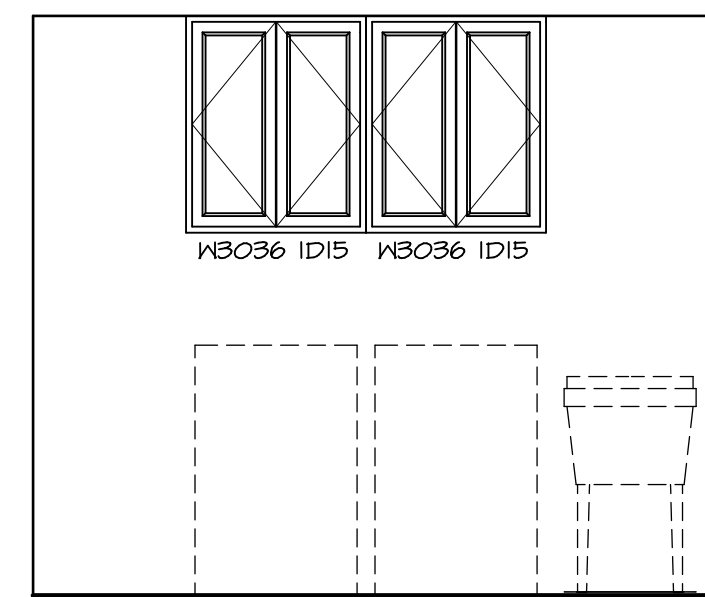
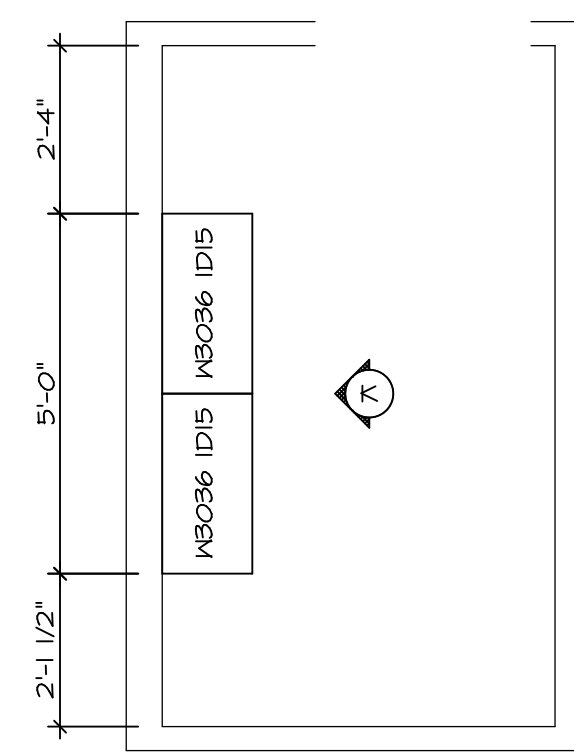
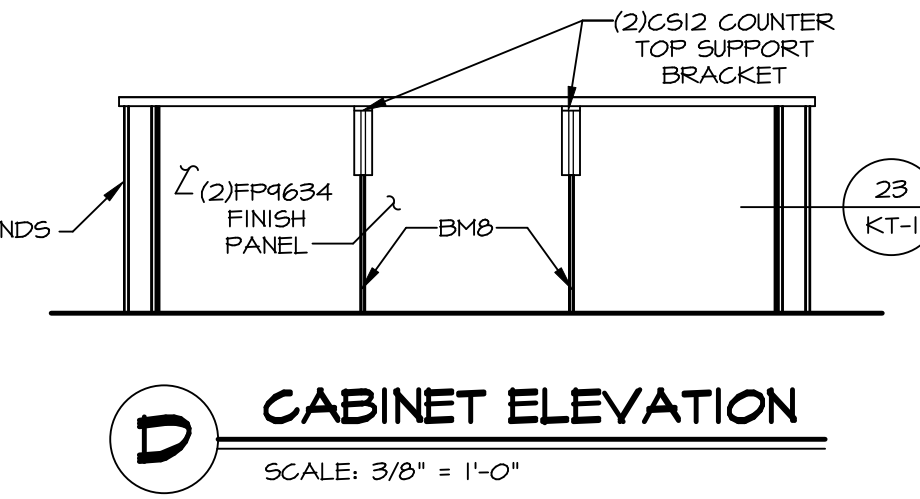
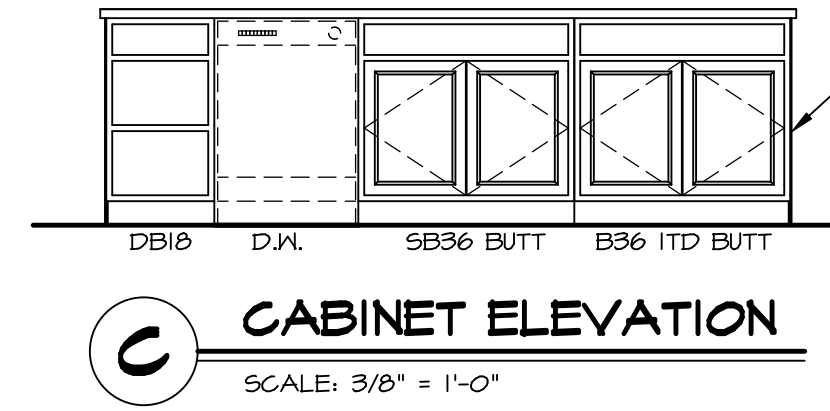
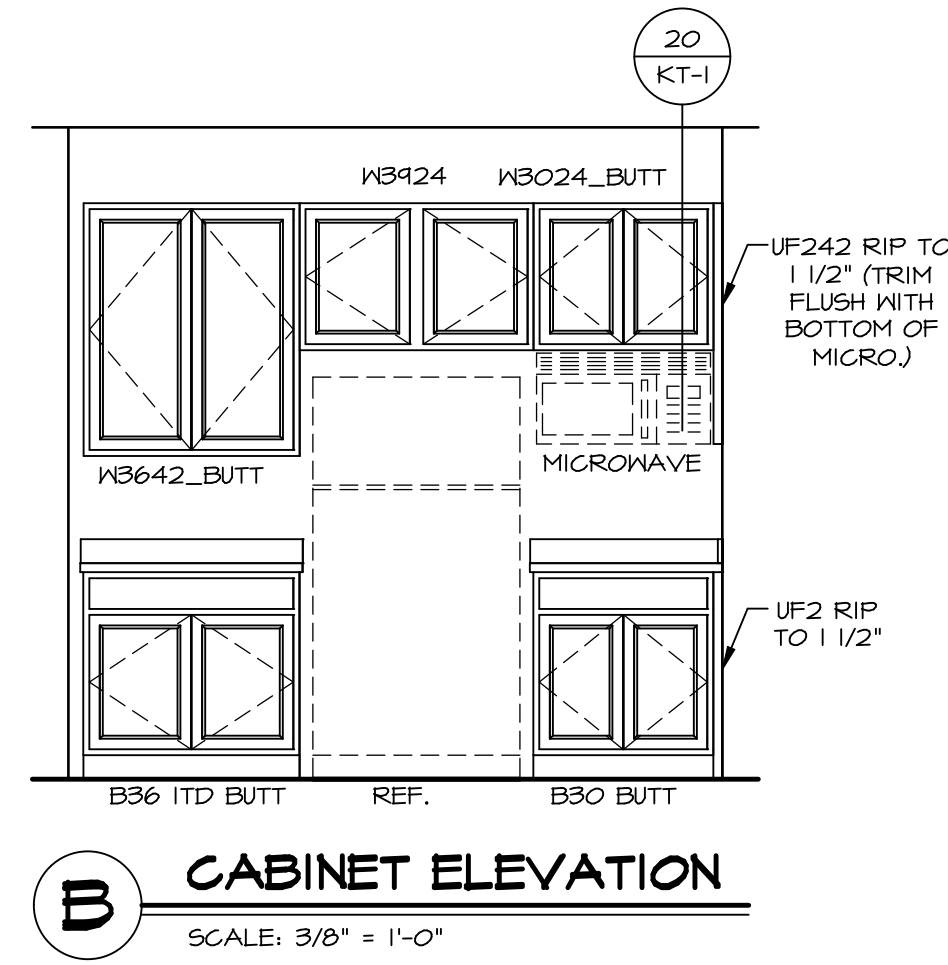
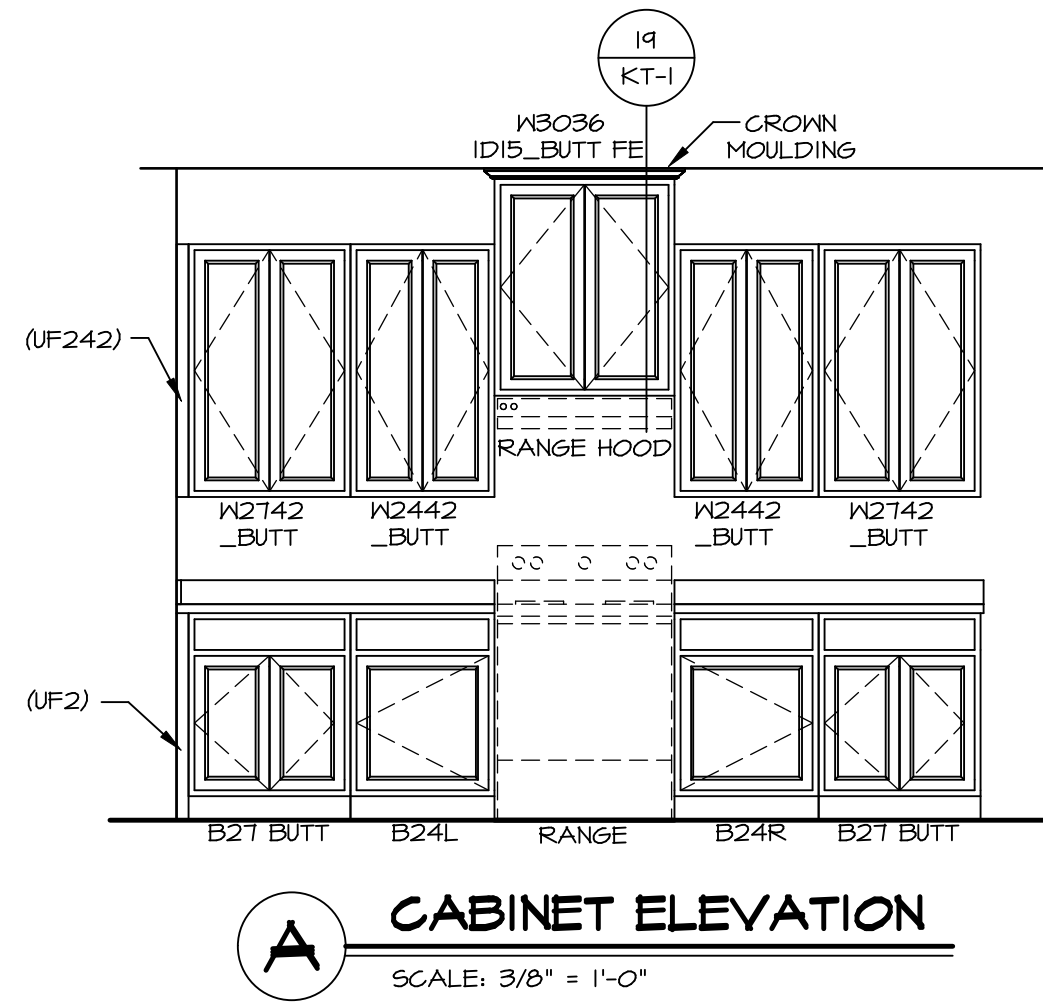
DIV-COMM-LOT-UNIT  
**DCY-CH-S368**  
COMM-LOT  
CARRIAGE TRAILS - S368  
STREET ADDRESS  
4299 LAKESIDE STREET  
CITY  
TIPP CITY  
STATE OH  
ZIP 45371

© NVR, Inc. The owner expressly reserves the right to modify or change these plans at any time without notice. These plans are not to be reproduced, changed or altered in any way without the written consent of NVR, Inc.



SHEET NO. <b>A-8</b>	MODEL <b>LEHIGH</b>	SET NO. LGH00
OPTION DESCRIPTION <b>33</b>	DRAWING TITLE <b>SECOND FLOOR PLAN</b>	VERSION 01
	DATE:	DRAWN BY
	OPTION	

- NOTES:**
- CABINET LAYOUT (S) ARE BASED ON FINISHED DIMENSIONS TO DRYWALL.
  - IF KITCHEN PLANS/ELEVATIONS CALL-OUT STANDARD MOLDING, REFER TO STANDARD DETAIL (1/KT-1) FOR REPLACEMENT BASED ON CABINET STYLE.
  - ALL (UF2) FILLERS ARE TO BE "TRIM TO FIT" UNLESS OTHERWISE NOTED.
  - CABINET MUST BE SET, SHIMMED, LEVELED AND PLUMB W/ ADJOINING BASE CABINETS.
  - SET PRE-FINISHED SCRIBE MOLDING AT CABINET BULKHEADS AND AT ENDS (WHERE CABINETS MEET DRYWALL.) PRE-FINISHED SCRIBE MOLDING SHALL BE USED TO PAD OUT CABINET SIDES AT STILE FOR RETURN PIECES OF THE FACE-MOUNTED CABINET CROWN MOLDING.
  - HARDWARE INSTALL NOTE: KNOBS GO ON DOORS AND DRAWERS FOR ALL AREAS. ALL DRAWER FRONTS AND DOORS GET (1) KNOB/PULL. NO HARDWARE ON FALSE DRAWER FRONTS.



**MODEL**  
LEHIGH  
**DRAWING TITLE**  
KITCHEN CABINET PLANS AND ELEVATIONS  
**SHEET NO.**  
A-12  
**OPTION DESCRIPTION**  
54

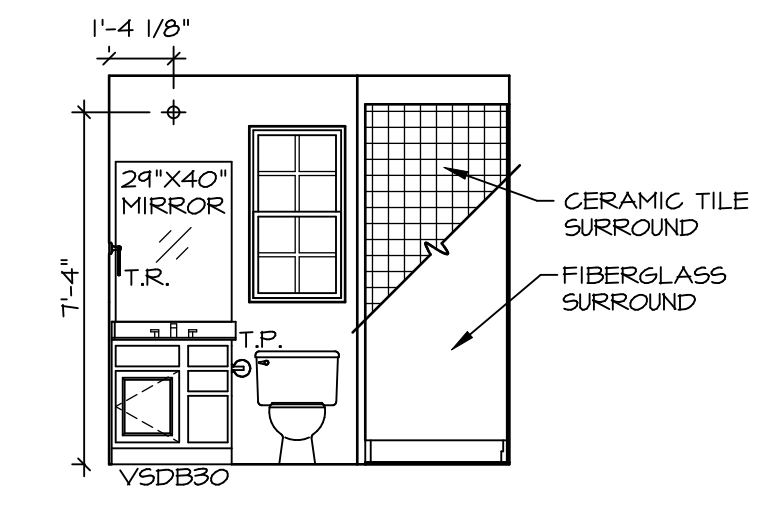
**SET NO.** LG-HOO  
**VERSION** 01  
**DRAWN BY**  
**DATE:**  
**OPTION**

**DIV-COMM-LOT-UNIT**  
DCY-CH-S368  
**COMM-LOT**  
CARRIAGE TRAILS - S368  
**STREET ADDRESS**  
4259 LAKESIDE STREET  
**CITY**  
TIFF CITY  
**STATE**  
OH  
**ZIP**  
45371

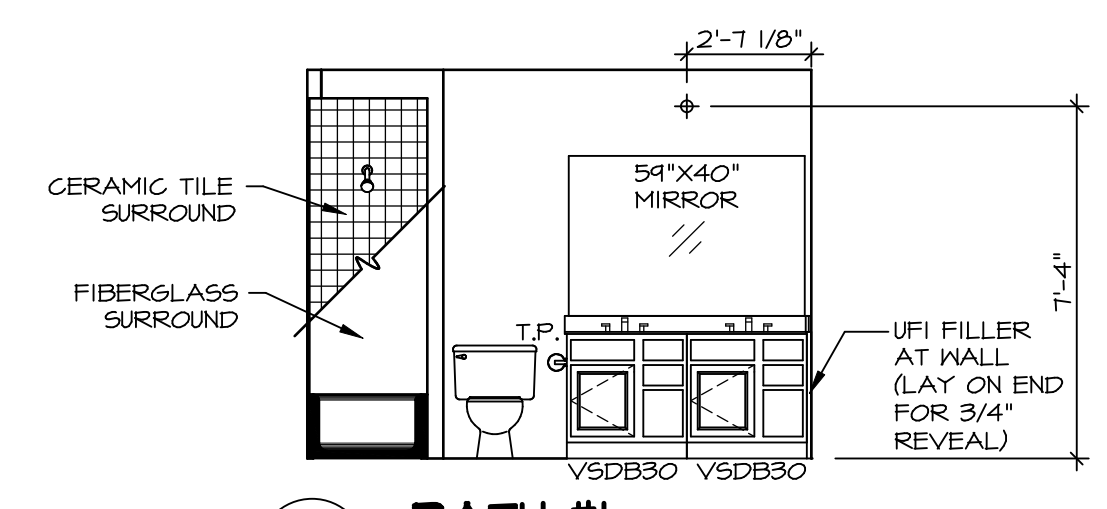
**NVR**  
NVR, Inc. Suite 100  
5285 Washburne  
Frederick, MD 21703

© NVR, Inc. expressly reserves the right to modify the information contained in these plans. These plans are not to be reproduced, changed or altered in any way without the written consent of NVR, Inc.

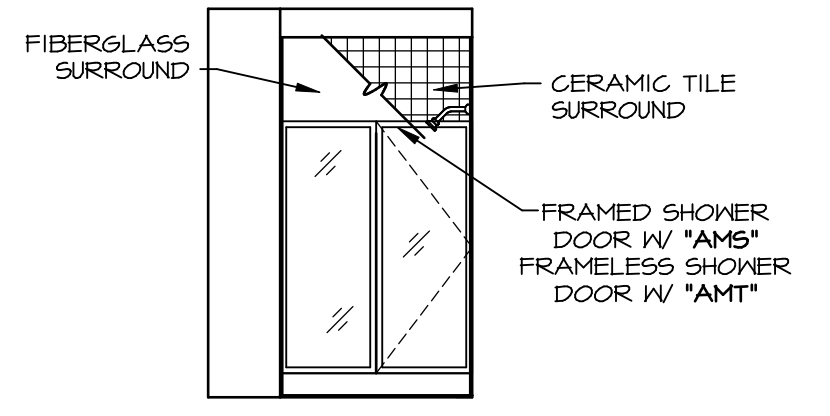
C:\NVR\Solves\LEHIGH\LG-HOO-01\DCY-CH-S368\1601016\Sheets\Lot\_Specific\54\_A-12\_KIT\_LS.dwg 01/14/20 - 2:33 am



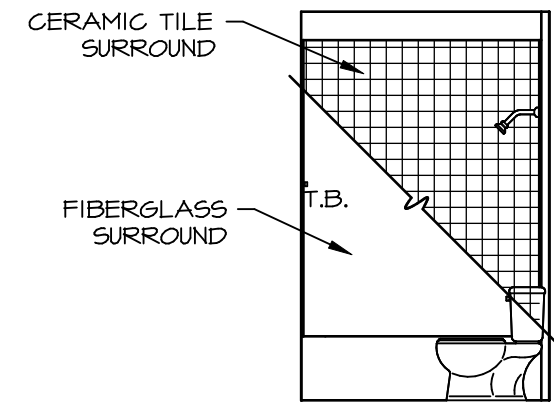
**D FIRST FLOOR BATH**  
SCALE: 1/4" = 1'-0"



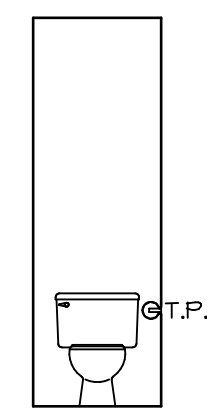
**F BATH #1**  
SCALE: 1/4" = 1'-0"



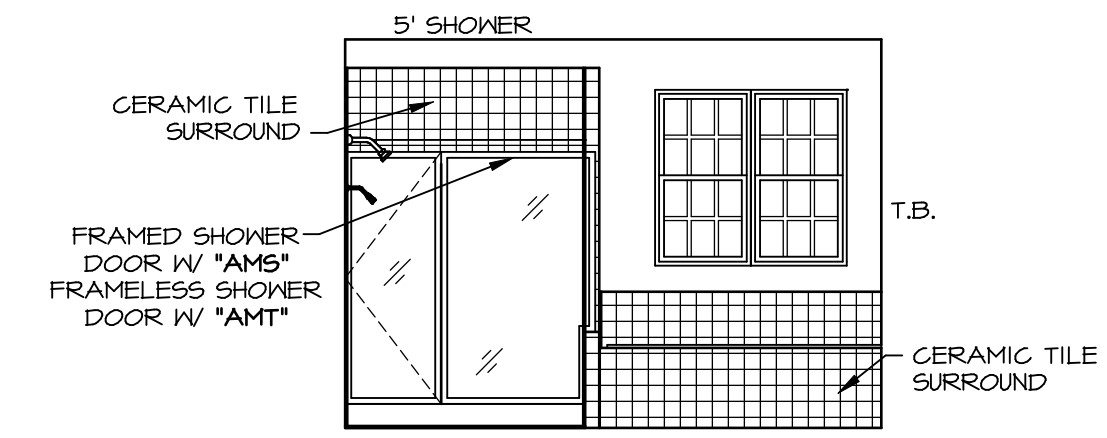
**E FIRST FLOOR BATH**  
SCALE: 1/4" = 1'-0"



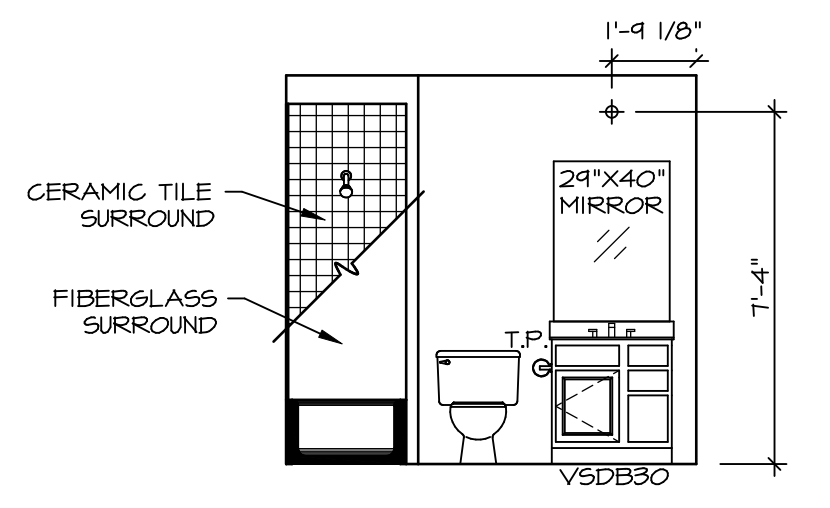
**G BATH #1**  
SCALE: 1/4" = 1'-0"



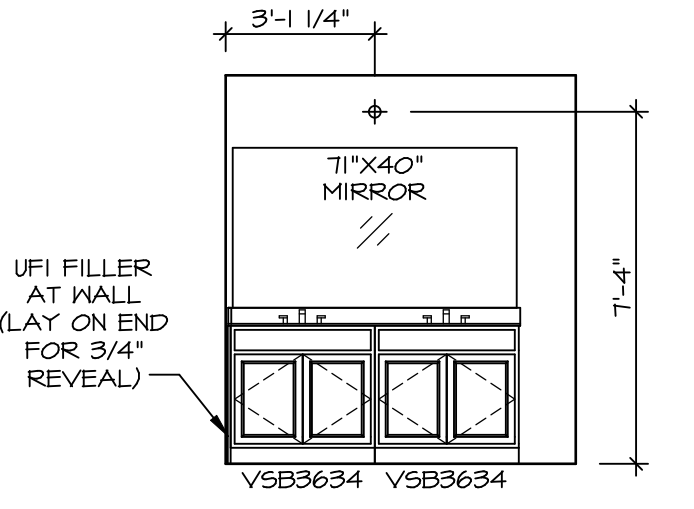
**H OWNERS BATH**  
SCALE: 1/4" = 1'-0"



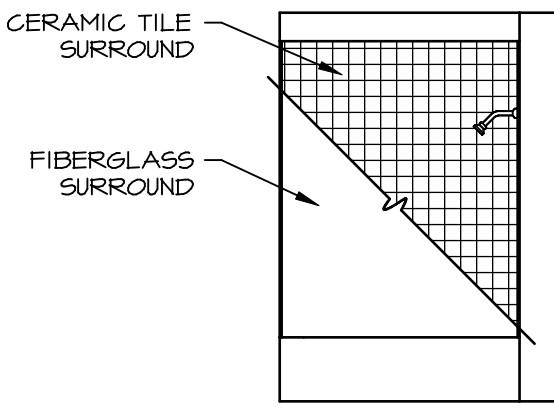
**N OWNERS BATH**  
SCALE: 1/4" = 1'-0" OWNERS BATHROOM SOAKING TUB AND SHOWER GLASS SURROUND "AMT"



**Q BATH #2**  
SCALE: 1/4" = 1'-0"



**P OWNERS BATH**  
SCALE: 1/4" = 1'-0" OWNERS BATHROOM SOAKING TUB AND SHOWER GLASS SURROUND "AMT"



**R BATH #2**  
SCALE: 1/4" = 1'-0"

**NOTES:**

- TEMPERED GLASS SHOWER ENCLOSURE WITH SWING DOOR OR OPTIONAL SLIDING DOOR BY DIVISION
- TUB ACCESS PANELS PROVIDED AS NEEDED, ALL MATERIALS BY DIVISION
- REFER TO SHEET IT-2 FOR TUB AND SHOWER DETAILS.
- ALL V5DB24-42 DRAWERS TO BE SET ON RIGHT HAND.
- ALL BATH ELEVATIONS ARE SHOWN PER PLAN.

SHEET NO. <b>A-13</b>	MODEL <b>LEHIGH</b>	DRAWING TITLE <b>BATH ELEVATIONS</b>	OPTION DESCRIPTION	57
<p>© NVR, Inc. expressly reserves the right to modify these plans without notice. These plans are not to be reproduced, changed or altered in any way without the written consent of NVR, Inc.</p>				
<p>5285 Washington Blvd., Suite 100 Frederick, MD 21703</p>				
<p>DIV-COMM-LOT-UNIT <b>DCY-CH-S368</b> COMM-LOT CARRIAGE TRAILS - 9368 STREET ADDRESS <b>4299 LAKEVIEW STREET</b> CITY TIPP CITY STATE OH ZIP 45371</p>				