



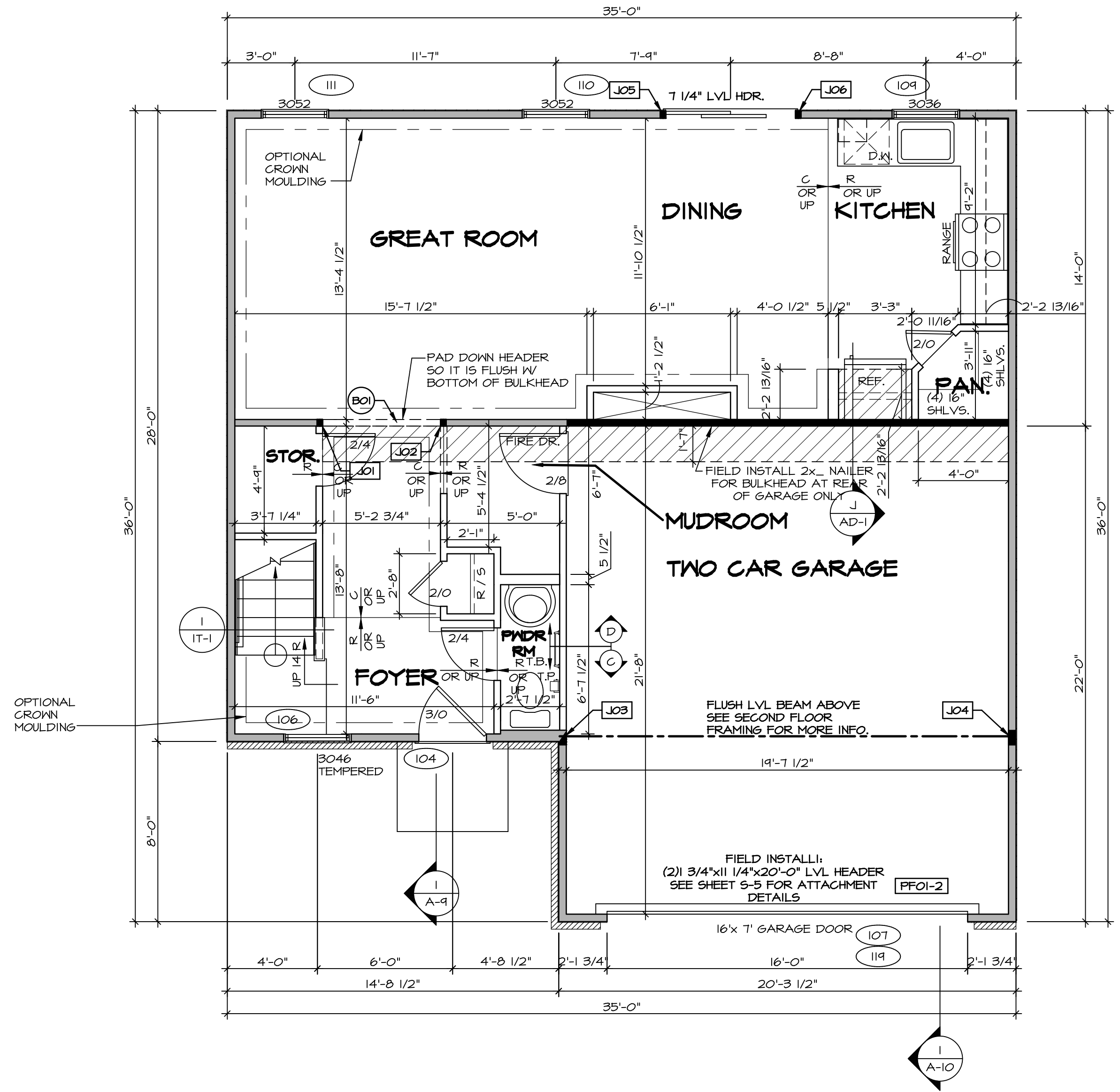
**LEGEND**

	BEARING WALL
	NON BEARING WALL
	INDICATES BEARING FROM POINT-LOAD ABOVE
	JACKS
	BEAM/HEADER
	PAD FOOTING
	STEEL COLUMN
	PORTAL FRAME
	JOIST/TRUSS
	LVL
	ENGINEERING PAGE NUMBER

SEE FC DETAILS FOR FRAMING CONNECTORS

- FLOOR PLAN NOTES**
- ALL HEADERS ARE (2) 2x6 w/ 2x4 WALLS OR (3) 2x6 w/ 2x6 WALLS, UNLESS OTHERWISE NOTED.
  - ALL HEADERS TO HAVE (1) 2x4 OR 2x6 JACK AND KING STUD EACH END, UNLESS OTHERWISE NOTED.
  - ALL EXTERIOR WALLS TO BE 4" w/ OSB OR 3 1/2" w/ T-PLY. ALL INTERIOR WALLS TO BE 3 1/2", UNLESS OTHERWISE NOTED.
  - HATCHED AREAS INDICATE DROPPED CEILINGS. ALL DROPPED CEILINGS ARE 12' UNLESS OTHERWISE NOTED.
  - SEE "BRACED WALL PANEL DETAIL SHEET" FOR SPECIAL WALL FRAMING LOCATIONS AND HEADER SIZES, IF APPLICABLE.
  - SEE STANDARD DETAIL CATEGORY "IT" SHEET(S) FOR INTERIOR TRIM DETAILS.
  - SEE ARCHITECTURAL DETAIL SHEET "AD" FOR HOUSE SPECIFIC INTERIOR TRIM OPTION TABLE.
  - ALL WINDOWS HAVE 1"-0 1/2" HEADER HEIGHT UNLESS OTHERWISE NOTED.
  - ALL HEADERS IN NON-BEARING WALLS SHALL BE A SINGLE FLAT 2x4 OR 2x6 ATTACHED TO CRIPPLES ABOVE, UNLESS OTHERWISE NOTED.

- GYPSUM NOTES**
- AT GARAGE:  
GYPSUM BOARD AT COMMON WALLS, CEILINGS, BEAM WRAPS AND SUPPORTS PER STANDARD DETAIL FA-1(b) FIRE ASSEMBLIES OR AS REQUIRED BY LOCAL CODE.
- AT STAIRS:  
1/2" GYPSUM BOARD AT UNDERSIDE OF STAIRS AND WALLS IN CLOSET



**FIRST FLOOR PLAN**  
SCALE: 1/4" = 1'-0"

**FIRST FLOOR JACK SCHEDULE**

IDENTIFIER	DESCRIPTION	OPTIONS	ENG. NUM.	FIELD INSTALLED
JO1	JACK - (2) 2X4 SFF STUD GRADE		103	
JO2	JACK - (2) 2X4 SFF STUD GRADE		103	
JO3	JACK - (5) 2X4 SFF#1	GCB / GCC	105	
JO4	JACK - (5) 2X4 SFF#1	GCB / GCC	105	
JO5	JACK - (2) 2X4 SFF STUD GRADE	DGT	104	
JO6	JACK - (2) 2X4 SFF STUD GRADE	DGT	104	

- LVL PLY TO PLY FASTENING SCHEDULE:**
- 1A - (2) PLY UP TO AND INCLUDING 11 7/8" TALL; FASTEN PLYS W/ (2) ROWS 16D NAILS AT 12" O.C.
  - 2A - (2) PLY 14" TO AND 18" TALL (INCLUSIVE); FASTEN PLYS W/ (3) ROWS 16D NAILS AT 12" O.C.
  - 3A - (2) PLY 20" TALL AND OVER; FASTEN PLYS W/ (4) ROWS 16D NAILS AT 12" O.C.
  - 4A - (3) PLY UP TO AND INCLUDING 11 7/8" TALL; FASTEN PLYS W/ (2) ROWS 16D NAILS AT 12" O.C. FROM EACH SIDE
  - 5A - (3) PLY 14" TO AND 18" TALL (INCLUSIVE); FASTEN PLYS W/ (3) ROWS 16D NAILS AT 12" O.C. FROM EACH SIDE
  - 6A - (3) PLY 20" TALL AND OVER; FASTEN PLYS W/ (4) ROWS 16D NAILS AT 12" O.C. FROM EACH SIDE

**FIELD INSTALLED FIRST FLOOR BEAM/HEADER SCHEDULE**

IDENTIFIER	DESCRIPTION	LENGTH	OPTIONS	ENG. NUM.	REMARKS
BO1	INT HEADER - 2X8 - 2 PLY	5'-8 3/4"		103	
FFO1-2	LVL - 11-04	20'-0"	GCB	114	PORTAL FRAME, 2 PLY, LA

REVISIONS

REV. NO.	DATE	DESCRIPTION
1	08/05/16	N.L. - DRAWING ALIGNMENT
2	7/7/17	DRH - T-PLY CONVERSION

NVR, Inc., owner, expressly warrants the common rights in these plans. These plans are not to be reproduced, changed, copied in any way, or used for any other project without the written consent of NVR, Inc.

**NVR**  
NVR, Inc.  
Architectural Services  
Architects  
5285 Westpark Drive  
Frederick, MD 21703

SET NO. SIECO  
VERSION 05  
DRAWN BY  
DATE: 2/2/2015  
OPTION

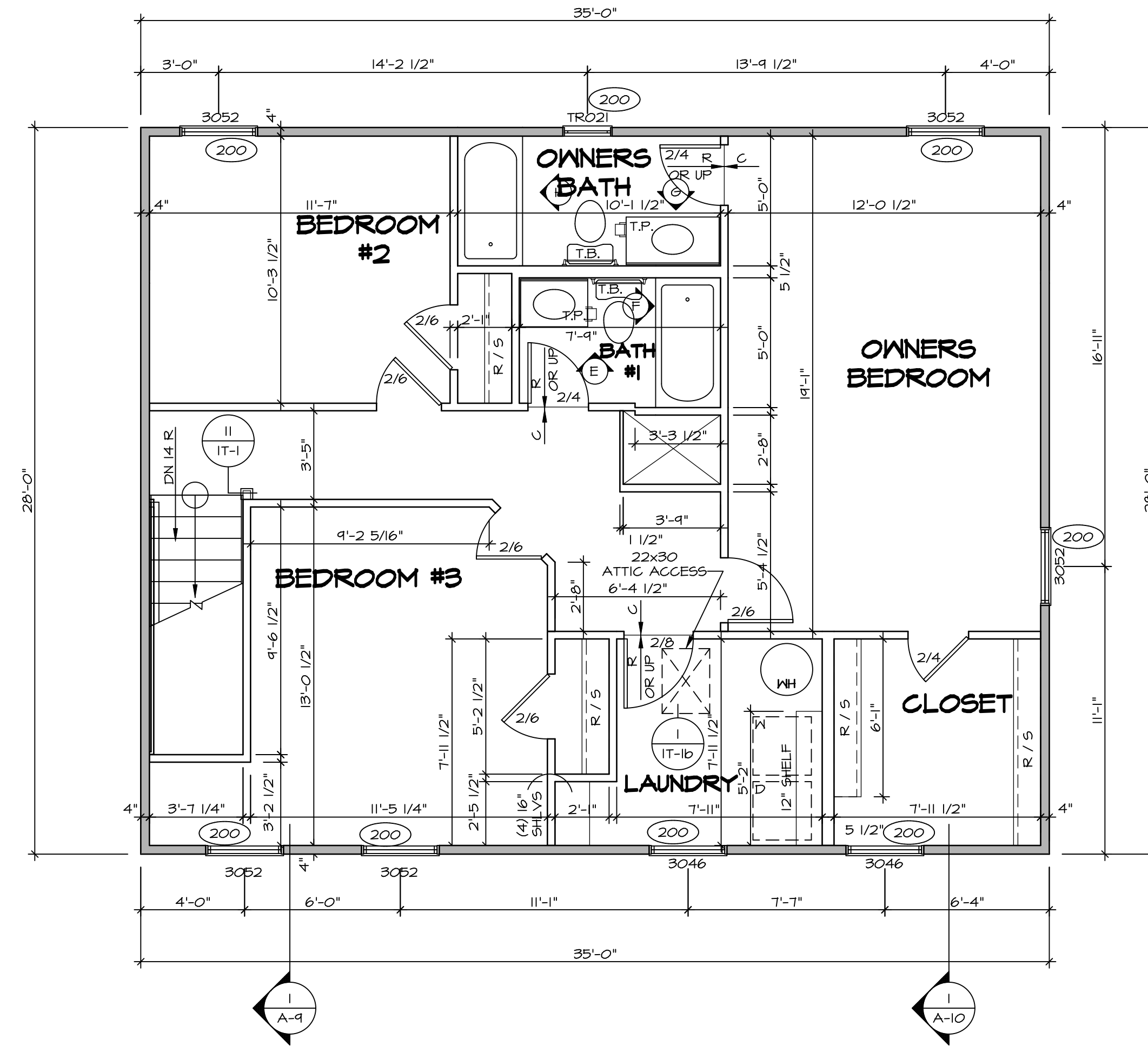
MODEL  
**SIENNA**  
DRAWING TITLE  
**FIRST FLOOR PLAN**  
OPTION DESCRIPTION

SHEET NO.  
**A-7**  
24

LEGEND	
	BEARING WALL
	NON BEARING WALL
	INDICATES BEARING FROM POINT-LOAD ABOVE
	JACKS
	BEAM/HEADER
	PAD FOOTING
	STEEL COLUMN
	PORTAL FRAME
	JOIST/TRUSS
	LVL
	ENGINEERING PAGE NUMBER
SEE FC DETAILS FOR FRAMING CONNECTORS	

**FLOOR PLAN NOTES**

- ALL HEADERS ARE (2) 2x6 w/ 2x4 WALLS OR (3) 2x6 w/ 2x6 WALLS, UNLESS OTHERWISE NOTED.
- ALL HEADERS TO HAVE (1) 2x4 OR 2x6 JACK AND KING STUD EACH END, UNLESS OTHERWISE NOTED.
- ALL EXTERIOR WALLS TO BE 4" w/ OSB OR 3 1/2" w/ T-PLY, ALL INTERIOR WALLS TO BE 3 1/2", UNLESS OTHERWISE NOTED.
- HATCHED AREAS INDICATE DROPPED CEILINGS. ALL DROPPED CEILINGS ARE 12" UNLESS OTHERWISE NOTED.
- SEE "BRACED WALL PANEL DETAIL SHEET" FOR SPECIAL WALL FRAMING LOCATIONS AND HEADER SIZES, IF APPLICABLE.
- SEE STANDARD DETAIL CATEGORY "IT" SHEET(S) FOR INTERIOR TRIM DETAILS.
- SEE ARCHITECTURAL DETAIL SHEET "AD" FOR HOUSE SPECIFIC INTERIOR TRIM OPTION TABLE.
- ALL WINDOWS HAVE 7'-0 1/2" HEADER HEIGHT UNLESS OTHERWISE NOTED.
- ALL HEADERS IN NON-BEARING WALLS SHALL BE A SINGLE FLAT 2X4 OR 2X6 ATTACHED TO CRIPPLES ABOVE, UNLESS OTHERWISE NOTED.

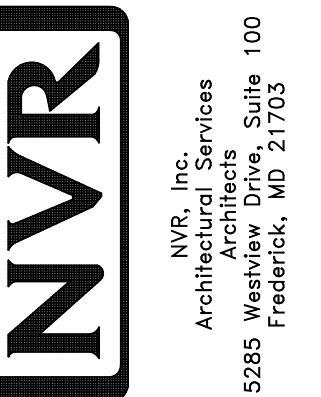


**SECOND FLOOR PLAN**  
SCALE: 1/4" = 1'-0"

REMARKS

REV. NO.	DATE	DESCRIPTION
1	08/05/16	N.L. - DRAWING ALIGNMENT
2	7/7/17	DRH - T-PLY CONVERSION

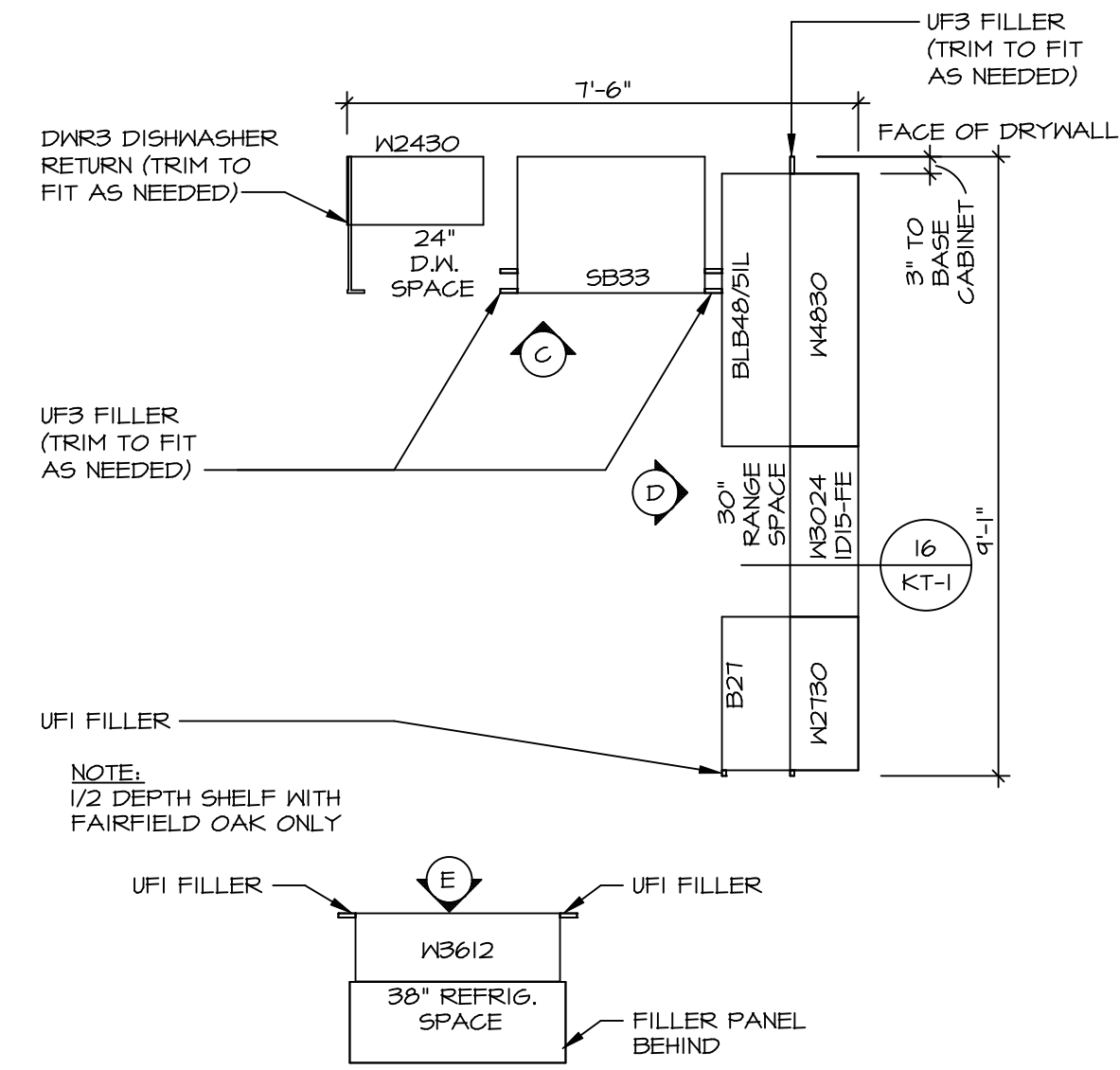
NVR, Inc., owner, expressly reserves its copyright in these plans. These plans are not to be reproduced, changed, copied, or otherwise used in any way without the written consent of NVR, Inc.



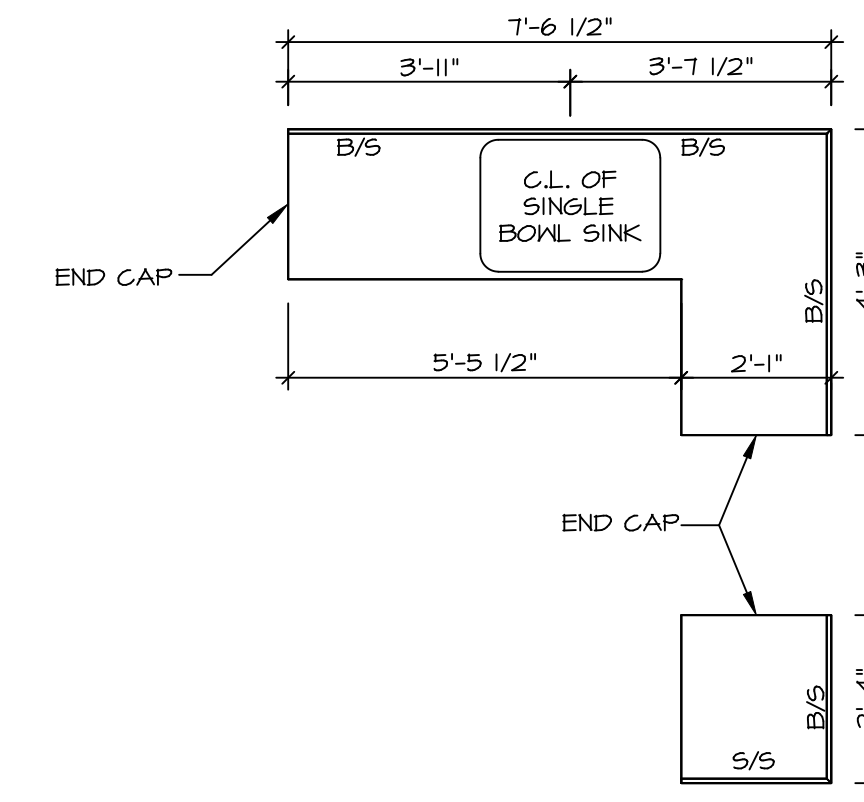
SET NO. SIECO  
VERSION 05  
DRAWN BY  
DATE: 2/2/2015  
OPTION

MODEL  
**SIENNA**  
DRAWING TITLE  
SECOND FLOOR PLAN  
OPTION DESCRIPTION

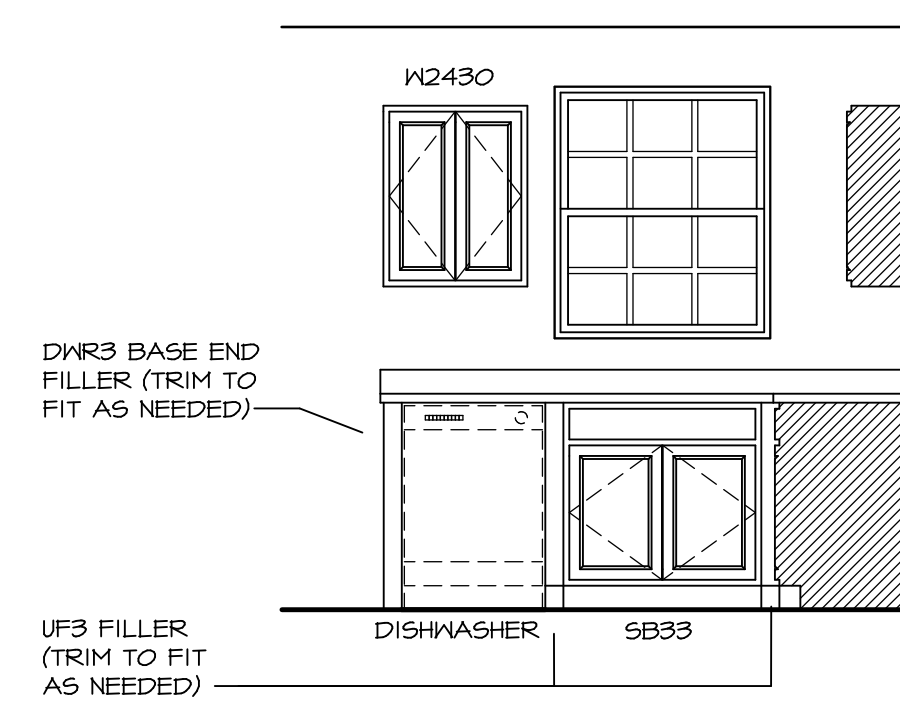
SHEET NO.  
**A-8**  
26



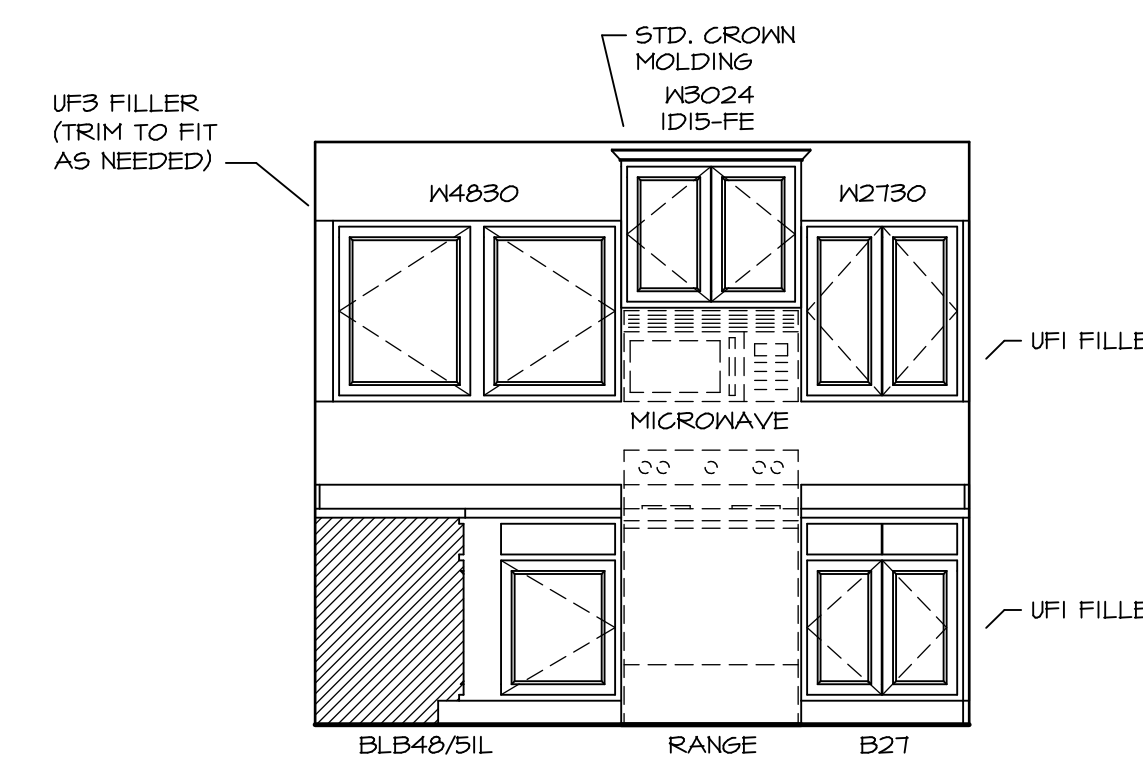
**1** **CABINET PLAN - KC-1924**  
 SCALE: 3/8" = 1'-0"  
 STANDARD KITCHEN W/  
 30" WALL CABINETS



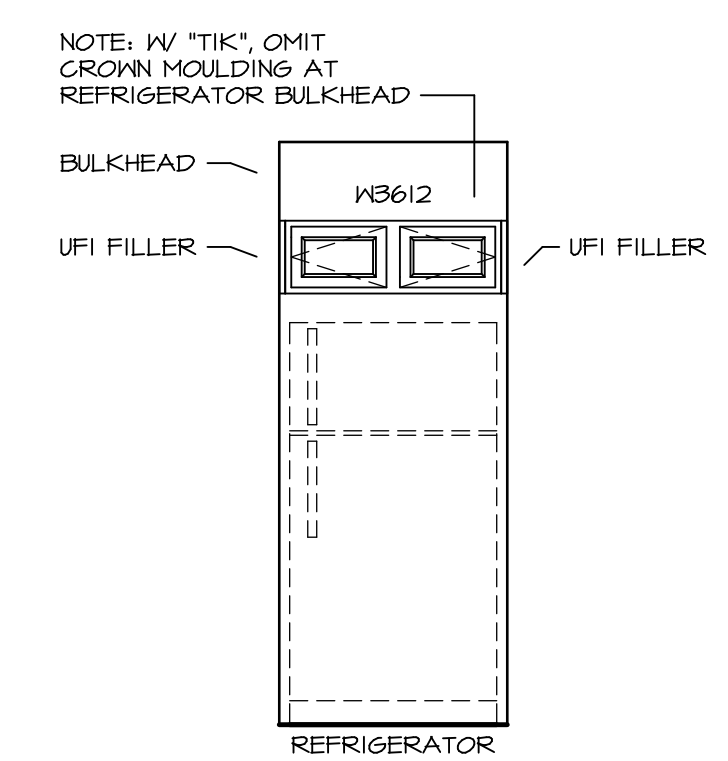
**3** **COUNTERTOP PLAN - KT-1924**  
 SCALE: 3/8" = 1'-0"  
 STANDARD KITCHEN W/  
 30" WALL CABINETS



**C** **KITCHEN ELEVATION**  
 SCALE: 3/8" = 1'-0"

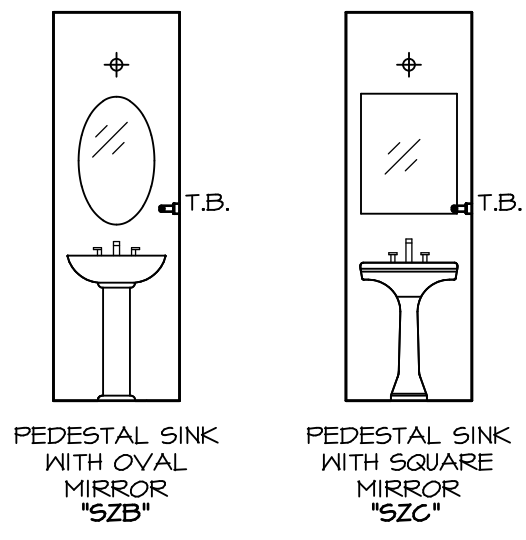


**D** **KITCHEN ELEVATION**  
 SCALE: 3/8" = 1'-0"

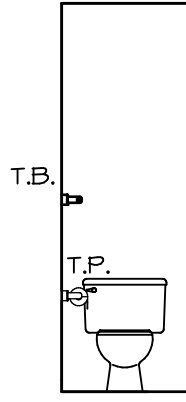


**E** **KITCHEN ELEVATION**  
 SCALE: 3/8" = 1'-0"

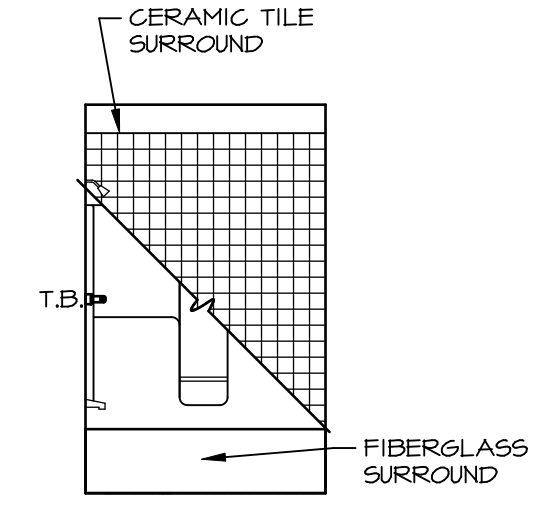
SHEET NO. <b>A-12</b>	MODEL <b>SIENNA</b>	DRAWING TITLE <b>KITCHENS</b>	OPTION DESCRIPTION
			<b>32</b>
SET NO. SIECO VERSION 05	DRAWN BY	DATE: 2/2/2015	OPTION
<p>NVR, Inc., owner, expressly reserves its copyright in these plans. These plans are not to be reproduced, changed, copied, or otherwise used in any way without the prior written consent of NVR, Inc.</p>			
<p><b>NVR</b>          NVR, Inc.          Architectural Services          Architects          5285 Westpark Drive, Suite 100          Frederick, MD 21703</p>			
REV. NO.	DATE	REMARKS	



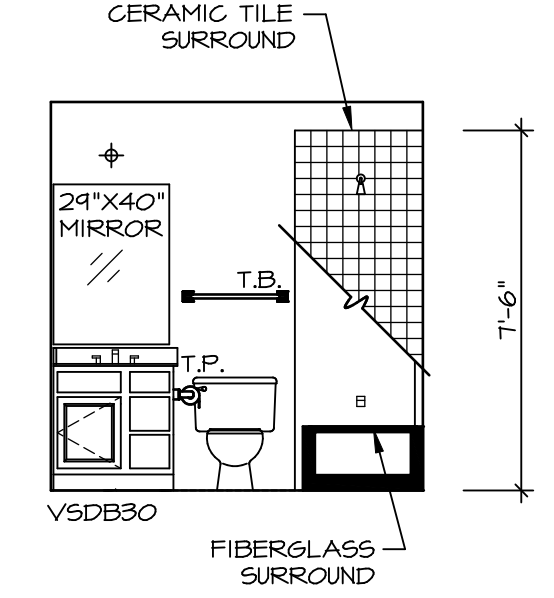
**D POWDER ROOM**  
SCALE: 1/4" = 1'-0"



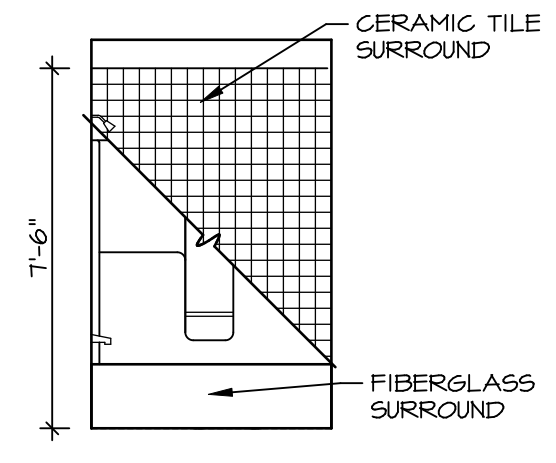
**C POWDER ROOM**  
SCALE: 1/4" = 1'-0"



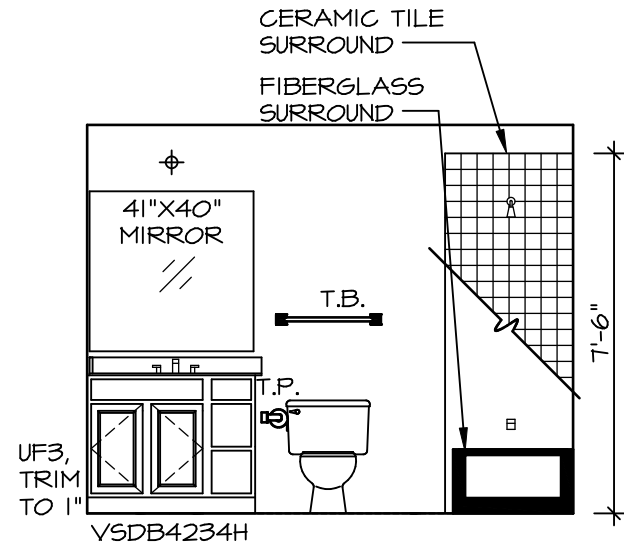
**F BATH #1**  
SCALE: 1/4" = 1'-0"



**E BATH #1**  
SCALE: 1/4" = 1'-0"



**H OWNER'S BATH (AMB)**  
SCALE: 1/4" = 1'-0"



**G OWNER'S BATH (AMB)**  
SCALE: 1/4" = 1'-0"

**NOTES:**

1. TEMPERED GLASS SHOWER ENCLOSURE WITH SWING DOOR OR OPTIONAL SLIDING DOOR BY DIVISION
2. TUB ACCESS PANELS PROVIDED AS NEEDED, ALL MATERIALS BY DIVISION
3. REFER TO SHEET D-II FOR TUB AND SHOWER DETAILS.
4. ALL VSDB24-42 DRAWERS TO BE SET ON RIGHT HAND.
5. BATH ELEVATIONS ARE SHOWN PER PLAN.

SHEET NO.	MODEL	SET NO.	DATE	REV. NO.	DATE	REMARKS
A-13	SIENNA DRAWING TITLE BATH ELEVATIONS	05	4/2/15	1	08/05/16 N.L. - DRAWING ALIGNMENT	
33	OPTION DESCRIPTION					

**NVR**  
NVR, Inc.  
Architectural Services  
Architects  
5285 Westpark Drive, Suite 100  
Frederick, MD 21703

C:\NVR\Solves\SIENNA\_SIE00\_05\DCY-CH-S360\1135172\SheetA Lot\_Specific\3.5 A-13 BATH\_LS.dwg 02/28/19 - 8:55 am