

PLUMBING PLAN
SCALE: 1/4" = 1'-0"

NOTE
RADON REMEDIATION
RADON LOOP:
- (4") PERFORATED HDPE "LOOP"
- MUST BE PLACED IN STONE BED SLIGHTLY HIGHER THAN ANY INTERIOR DRAINTILE
- LOOP TO BE SEPARATE FROM ANY DRAINTILE ELEMENTS
- TO BE CORRUGATED HDPE PIPE
- SCREENS TO BE INSTALLED THROUGH LOOP AT TEE UP INTO STACK
STACK REQUIREMENTS:
- 3" PVC STACK (4" IF BASEMENT IS GREATER THAN 2200 SQFT.)
- NO PART OF STACK IS TO BE HORIZONTAL
- PIPE TO BE PHYSICALLY LABELED IN THE FIELD AS "RADON VENT" OR OTHER JURISDICTIONALLY REQUIRED LANGUAGE (ON EVERY LEVEL OF HOUSE)
- ROOF TERMINATION TO BE IN TOP 1/3 OF ROOF
- SCREEN INSTALLED TO KEEP PESTS OUT OF RADON VENT AT ROOF TERMINATION

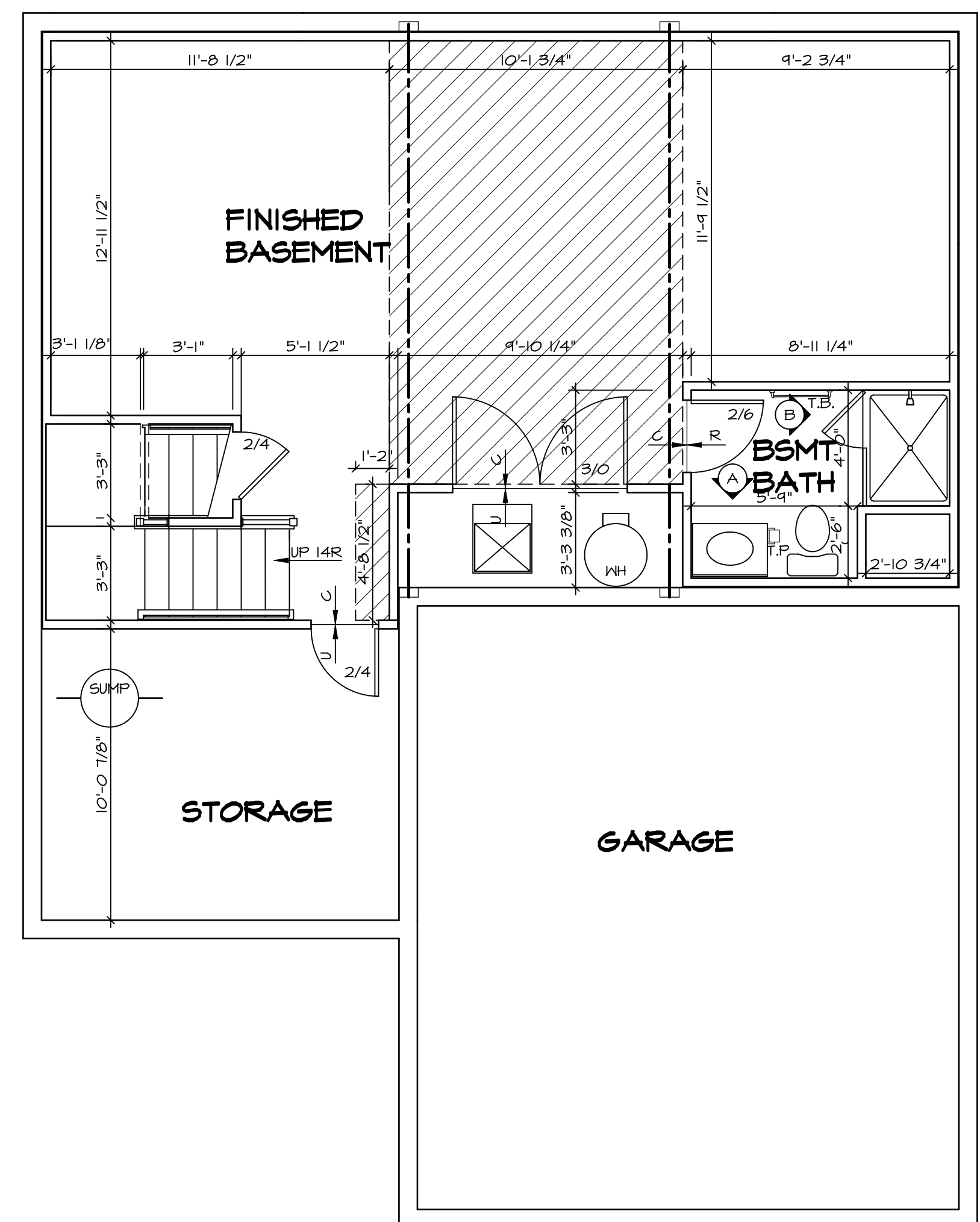
SHEET NO. A-5	MODEL ALLEGHENY	SET NO. AL600	OPTION 22
	DRAWING TITLE PLUMBING PLAN	VERSION 01 DRAWN BY TN DATE: 08/04/2017	
<p>© NVR, Inc. expressly reserves the right to modify or amend these plans without notice. These plans are not to be reproduced, changed or altered in any way without the written consent of NVR, Inc.</p>			
<p>NVR NVR, Inc. Suite 100 Frederick, MD 21703</p>			
<p>DIV-COMM-LOT-UNIT DCY-CH-S540</p> <p>COMM-LOT CARRIAGE TRAILS - S540</p> <p>STREET ADDRESS 8108 WHITE ASH DRIVE</p> <p>CITY TIPP CITY</p> <p>STATE OH</p> <p>ZIP 45371</p>			

LEGEND	
	BEARING WALL
	NON BEARING WALL
	INDICATES BEARING FROM POINT-LOAD ABOVE
	JACKS
	BEAM/HEADER
	PAD FOOTING
	STEEL COLUMN
	PORTAL FRAME
	JOIST/TRUSS
	LVL
	ENGINEERING PAGE NUMBER

SEE FC DETAILS FOR FRAMING CONNECTORS

- FLOOR PLAN NOTES**
- ALL HEADERS ARE (2) 2x6 w/ 2x4 WALLS OR (3) 2x6 w/ 2x6 WALLS, UNLESS OTHERWISE NOTED.
 - ALL HEADERS TO HAVE (1) 2x4 OR 2x6 JACK AND KING STUD EACH END, UNLESS OTHERWISE NOTED.
 - ALL EXTERIOR WALLS TO BE 4" w/ OSB OR 3 1/2" w/ T-PLY, ALL INTERIOR WALLS TO BE 3 1/2", UNLESS OTHERWISE NOTED.
 - HATCHED AREAS INDICATE DROPPED CEILING. ALL DROPPED CEILING ARE 12" UNLESS OTHERWISE NOTED.
 - SEE "BRACED WALL PANEL DETAIL SHEET" FOR SPECIAL WALL FRAMING LOCATIONS AND HEADER SIZES, IF APPLICABLE.
 - SEE STANDARD DETAIL CATEGORY "IT" SHEET(S) FOR INTERIOR TRIM DETAILS.
 - SEE ARCHITECTURAL DETAIL SHEET "AD" FOR HOUSE SPECIFIC INTERIOR TRIM OPTION TABLE.
 - ALL WINDOWS HAVE "T-O 1/2" HEADER HEIGHT UNLESS OTHERWISE NOTED.
 - ALL HEADERS IN NON-BEARING WALLS SHALL BE A SINGLE FLAT 2X4 OR 2X6 ATTACHED TO CRIPPLES ABOVE, UNLESS OTHERWISE NOTED.
 - TANKED WATER HEATER SHOWN AS BASE CONDITION, OPTIONAL TANKLESS WATER HEATER IS AVAILABLE IN LIEU OF TANKED WATER HEATER.

- GYPHUM NOTES**
- AT GARAGE:
GYPSUM BOARD AT COMMON WALLS, CEILING, BEAM WRAPS AND SUPPORTS PER STANDARD DETAIL FA-1(b) FIRE ASSEMBLIES OR AS REQUIRED BY LOCAL CODE.
- AT STAIRS:
1/2" GYPSUM BOARD AT UNDERSIDE OF STAIRS AND WALLS IN CLOSET



BASEMENT FLOOR PLAN
SCALE: 1/4" = 1'-0"

SHEET NO. A-6	MODEL ALLEGHENY	SET NO. ALGOO	VERSION 01	DRAWN BY TN	DATE: 08/04/2017	OPTION
		DRAWING TITLE BASEMENT FLOOR PLAN				
OPTION DESCRIPTION		OPTION				
26						

DIV-COMM-LOT-UNIT DCY-CH-S540	
COMM-LOT	CARRIAGE TRAILS - S540
STREET ADDRESS	BIDG WHITE ASH DRIVE
CITY	TIPP CITY
STATE	OH
ZIP	45371

© NVR, Inc. expressly reserves the right to modify these plans without notice. These plans are not to be reproduced, changed or altered in any way without the written consent of NVR, Inc.

NVR
NVR, Inc. Suite 100
Frederick, MD 21703
5285 Washburn Lane
Frederick, MD 21703

SET NO. **ALGOO**
VERSION **01**
DRAWN BY **TN**
DATE: **08/04/2017**
OPTION

MODEL
ALLEGHENY
DRAWING TITLE
BASEMENT FLOOR PLAN
OPTION DESCRIPTION

SHEET NO.
A-6

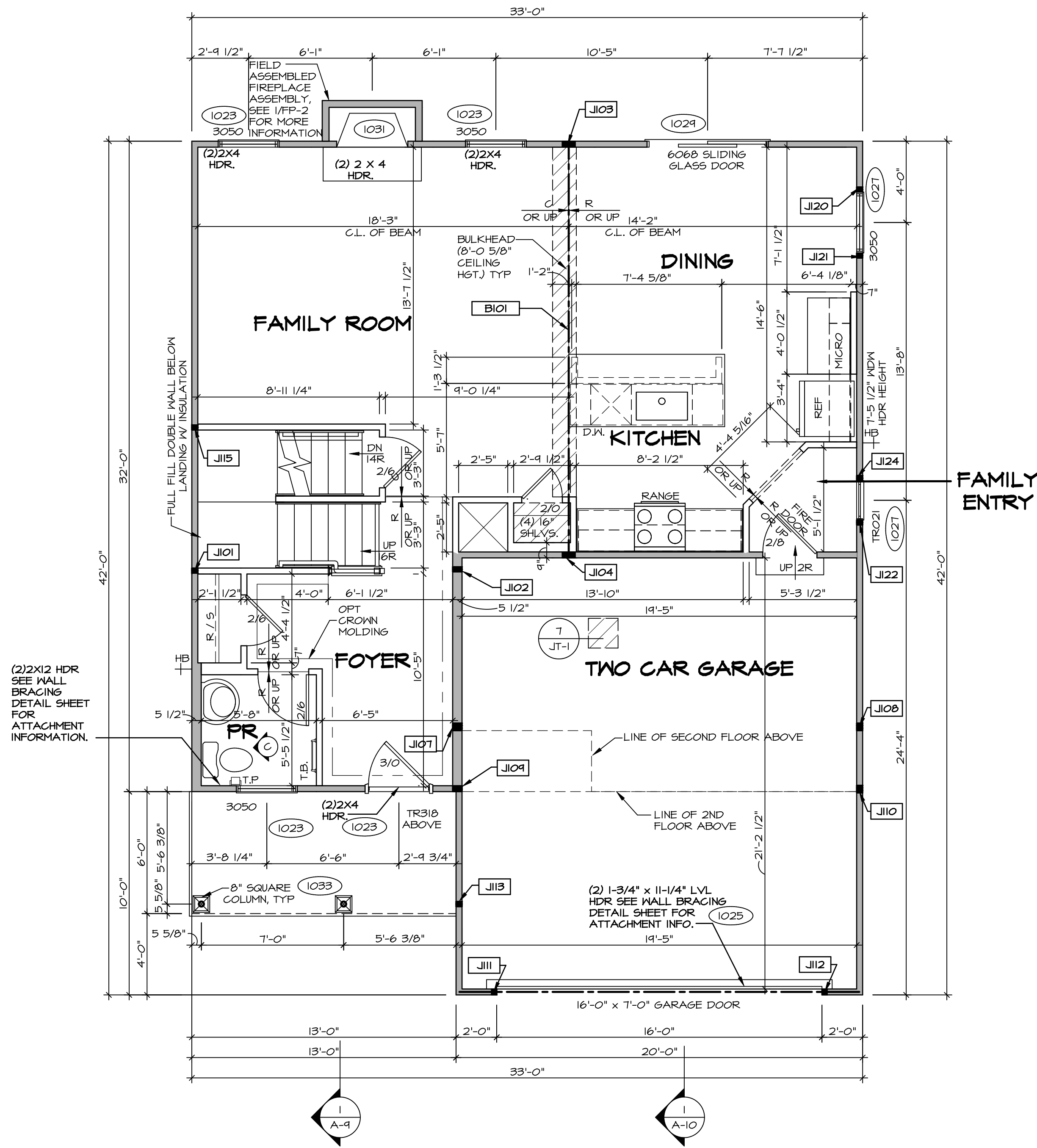
OPTION
26

C:\NVR\Solves\ALLEGHENY_ALGOO_01\DCY-CH-S540\884289\Sheet\Lot_Specific\26 A-6 BSMT_LS.dwg 08/04/20 3:25 am

FIRST FLOOR JACK SCHEDULE				
IDENTIFIER	DESCRIPTION	ENG. NUM.	REMARKS	
J101	JACK - (2) 2X4 SFF STUD GRADE	1004		
J102	JACK - (2) 2X6 SFF STUD GRADE	1004		
J103	JACK - (3) 2X4 SFF#1	1008		
J104	JACK - (3) 2X4 SFF#1	1008		
J107	JACK - (3) 2X6 SFF #2	1014		
J108	JACK - (3) 2X4 SFF STUD GRADE	1014		
J104	JACK - (2) 2X6 SFF STUD GRADE	1016		
J110	JACK - (3) 2X4 SFF STUD GRADE	1016		
J111	JACK - (2) 2X4 SFF STUD GRADE	1025		
J112	JACK - (2) 2X4 SFF STUD GRADE	1025		
J113	JACK - (2) 2X4 SFF STUD GRADE	1033		
J115	JACK - (2) 2X4 SFF STUD GRADE	1006		
J120	JACK - (2) 2X4 SFF STUD GRADE	1021		
J121	JACK - (2) 2X4 SFF STUD GRADE	1021		
J122	JACK - (2) 2X4 SFF STUD GRADE	1021		
J124	JACK - (2) 2X4 SFF STUD GRADE	1021		

FIELD INSTALLED FIRST FLOOR BEAM/HEADER SCHEDULE				
IDENTIFIER	DESCRIPTION	LENGTH	ENG. NUM.	REMARKS
B101	BEAM STEEL - W10X30	20'-6"	1008	

STEEL COLUMN SCHEDULE				
IDENTIFIER	STYLE	HEIGHT	ENG. NUM.	REMARKS



FIRST FLOOR PLAN
SCALE: 1/4" = 1'-0"

LEGEND	
	BEARING WALL
	NON BEARING WALL
	JACKS
	BEAM/HEADER
	PAD FOOTING
	STEEL COLUMN
	PORTAL FRAME
	JOIST/TRUSS
	LVL
	ENGINEERING PAGE NUMBER

SEE FC DETAILS FOR FRAMING CONNECTORS

- FLOOR PLAN NOTES** RYAN
- ALL HEADERS ARE (2) 2x6 w/ 2x4 WALLS OR (3) 2x6 w/ 2x6 WALLS, UNLESS OTHERWISE NOTED.
 - ALL HEADERS TO HAVE (1) 2x4 OR 2x6 JACK AND KING STUD EACH END, UNLESS OTHERWISE NOTED.
 - ALL EXTERIOR WALLS TO BE 4" w/ OSB OR 3 1/2" w/ LAMINATED FIBROUS STRUCTURAL SHEATHING, ALL INTERIOR WALLS TO BE 3 1/2", UNLESS OTHERWISE NOTED.
 - HATCHED AREAS INDICATE DROPPED CEILINGS. ALL DROPPED CEILINGS ARE 12" UNLESS OTHERWISE NOTED.
 - SEE "BRACED WALL PANEL DETAIL SHEET" FOR SPECIAL WALL FRAMING LOCATIONS AND HEADER SIZES, IF APPLICABLE.
 - SEE STANDARD DETAIL CATEGORY "1T" SHEET(S) FOR INTERIOR TRIM DETAILS.
 - SEE ARCHITECTURAL DETAIL SHEET "AD" FOR HOUSE SPECIFIC INTERIOR TRIM OPTION TABLE.
 - ALL WINDOWS HAVE 7'-0 1/2" HEADER HEIGHT UNLESS OTHERWISE NOTED.
 - ALL HEADERS IN NON-BEARING WALLS SHALL BE A SINGLE FLAT 2X4 OR 2X6 ATTACHED TO GRIPPLES ABOVE, UNLESS OTHERWISE NOTED.
 - TANKED WATER HEATER SHOWN AS BASE CONDITION, OPTIONAL TANKLESS WATER HEATER IS AVAILABLE IN LIEU OF TANKED WATER HEATER.

- GYPSUM NOTES**
- AT GARAGE:
GYPSUM BOARD AT COMMON WALLS, CEILING, BEAM WRAPS AND SUPPORTS PER STANDARD DETAIL FA-1(b) FIRE ASSEMBLIES OR AS REQUIRED BY LOCAL CODE.
- AT STAIRS:
1/2" GYPSUM BOARD AT UNDERSIDE OF STAIRS AND WALLS IN CLOSET

© NVR, Inc. All rights reserved. No part of this drawing may be reproduced, stored in a retrieval system, or transmitted in any form or by any means, electronic, mechanical, photocopying, recording, or by any information storage and retrieval system, without the prior written permission of NVR, Inc.

NVR
NVR, Inc. Suite 100
Frederick, MD 21703
5285 Washburn Drive

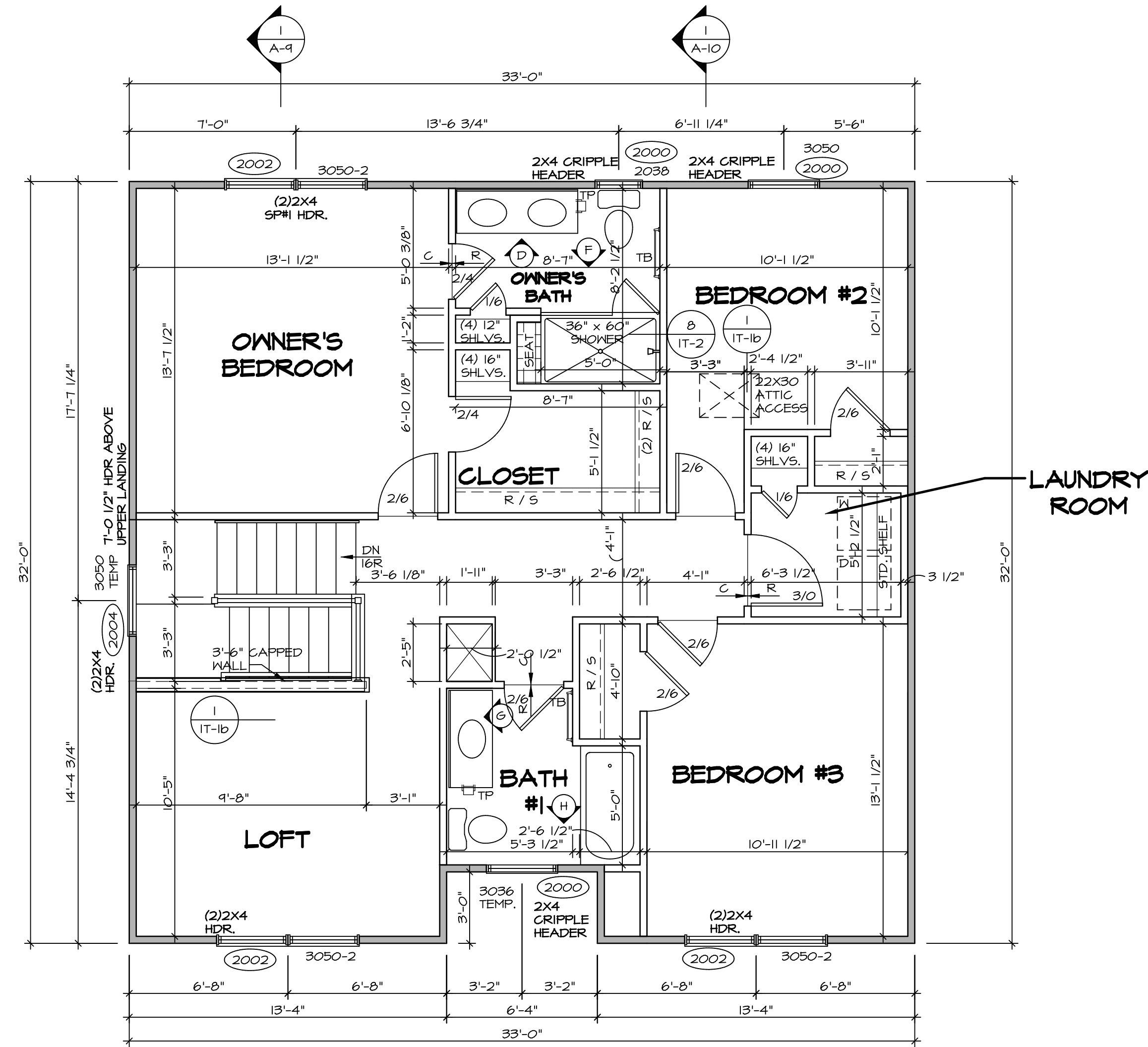
SET NO. ALGOO
VERSION 01
DRAWN BY YON
DATE: 08/10/2017
OPTION

MODEL ALLEGHENY
DRAWING TITLE FIRST FLOOR PLAN
OPTION DESCRIPTION

SHEET NO. A-7
28

DCY-CH-S540
COMMITTEE CARRIAGE TRAILS - S540
STREET ADDRESS B108 WHITE ASH DRIVE
CITY TIPP CITY
STATE OH
ZIP 45971

DCY-CH-S540
A-7 PLN1 US.dwg 08/04/20 10:32:55 am



SECOND FLOOR PLAN
SCALE: 1/4" = 1'-0"

LEGEND

	BEARING WALL
	NON BEARING WALL
	INDICATES BEARING FROM POINT-LOAD ABOVE
	JACKS
	BEAM/HEADER
	PAD FOOTING
	STEEL COLUMN
	PORTAL FRAME
	JOIST/TRUSS
	LVL
	ENGINEERING PAGE NUMBER

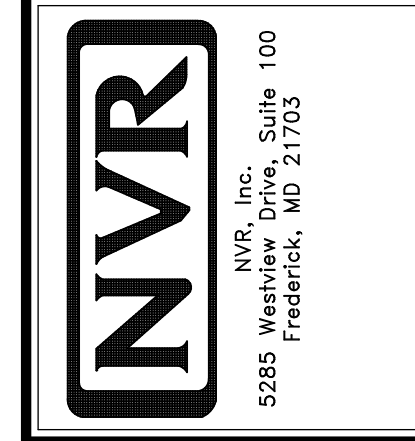
SEE FC DETAILS FOR FRAMING CONNECTORS

- FLOOR PLAN NOTES** RYAN
- ALL HEADERS ARE (2) 2x6 w/ 2x4 WALLS OR (3) 2x6 w/ 2x6 WALLS, UNLESS OTHERWISE NOTED.
 - ALL HEADERS TO HAVE (1) 2x4 OR 2x6 JACK AND KING STUD EACH END, UNLESS OTHERWISE NOTED.
 - ALL EXTERIOR WALLS TO BE 4" w/ OSB OR 3 1/2" w/ T-PLY, ALL INTERIOR WALLS TO BE 3 1/2", UNLESS OTHERWISE NOTED.
 - HATCHED AREAS INDICATE DROPPED CEILINGS. ALL DROPPED CEILINGS ARE 12" UNLESS OTHERWISE NOTED.
 - SEE "BRACED WALL PANEL DETAIL SHEET" FOR SPECIAL WALL FRAMING LOCATIONS AND HEADER SIZES, IF APPLICABLE.
 - SEE STANDARD DETAIL CATEGORY "1T" SHEET(S) FOR INTERIOR TRIM DETAILS.
 - SEE ARCHITECTURAL DETAIL SHEET "AD" FOR HOUSE SPECIFIC INTERIOR TRIM OPTION TABLE.
 - ALL WINDOWS HAVE 7'-0" 1/2" HEADER HEIGHT UNLESS OTHERWISE NOTED.
 - ALL HEADERS IN NON-BEARING WALLS SHALL BE A SINGLE FLAT 2x4 OR 2x6 ATTACHED TO CRIPPLES ABOVE, UNLESS OTHERWISE NOTED.
 - TANKED WATER HEATER SHOWN AS BASE CONDITION, OPTIONAL TANKLESS WATER HEATER IS AVAILABLE IN LIEU OF TANKED WATER HEATER.

- GYPSUM NOTES**
- AT GARAGE:
GYPSUM BOARD AT COMMON WALLS, CEILINGS, BEAM WRAPS AND SUPPORTS PER STANDARD DETAIL FA-1(b) FIRE ASSEMBLIES OR AS REQUIRED BY LOCAL CODE.
- AT STAIRS:
1/2" GYPSUM BOARD AT UNDERSIDE OF STAIRS AND WALLS IN CLOSET

DCY-CH-S540
CARRIAGE TRAILS - S540
STREET ADDRESS
8108 WHITE ASH DRIVE
CITY TIPP CITY OH STATE OH ZIP 45371

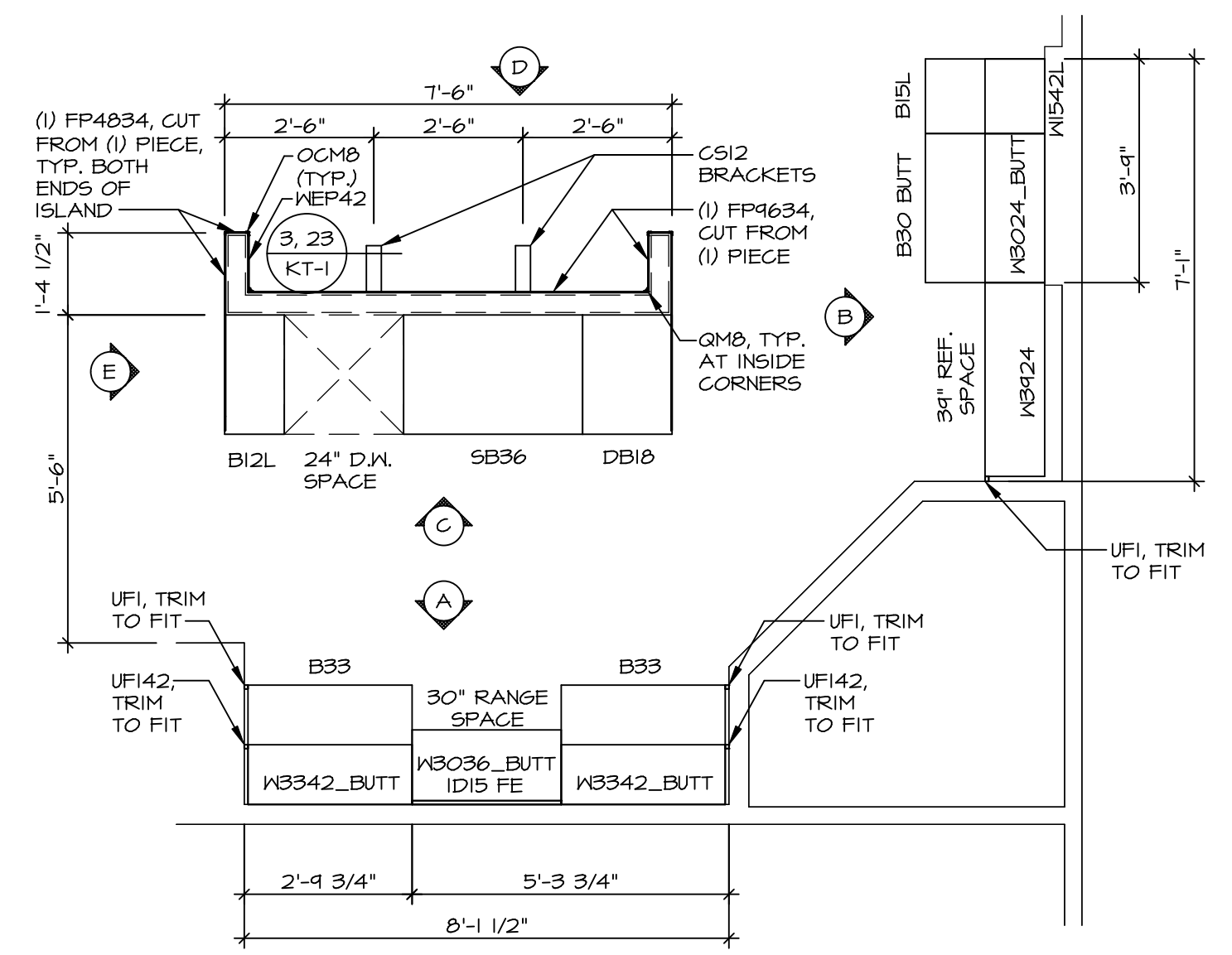
© NVR, Inc. expressly reserves the right to modify these plans without notice. These plans are not to be reproduced, changed or altered in any way without the written consent of NVR, Inc.



SET NO. ALG00
VERSION 01
DRAWN BY YON
DATE: 08/10/2017
OPTION

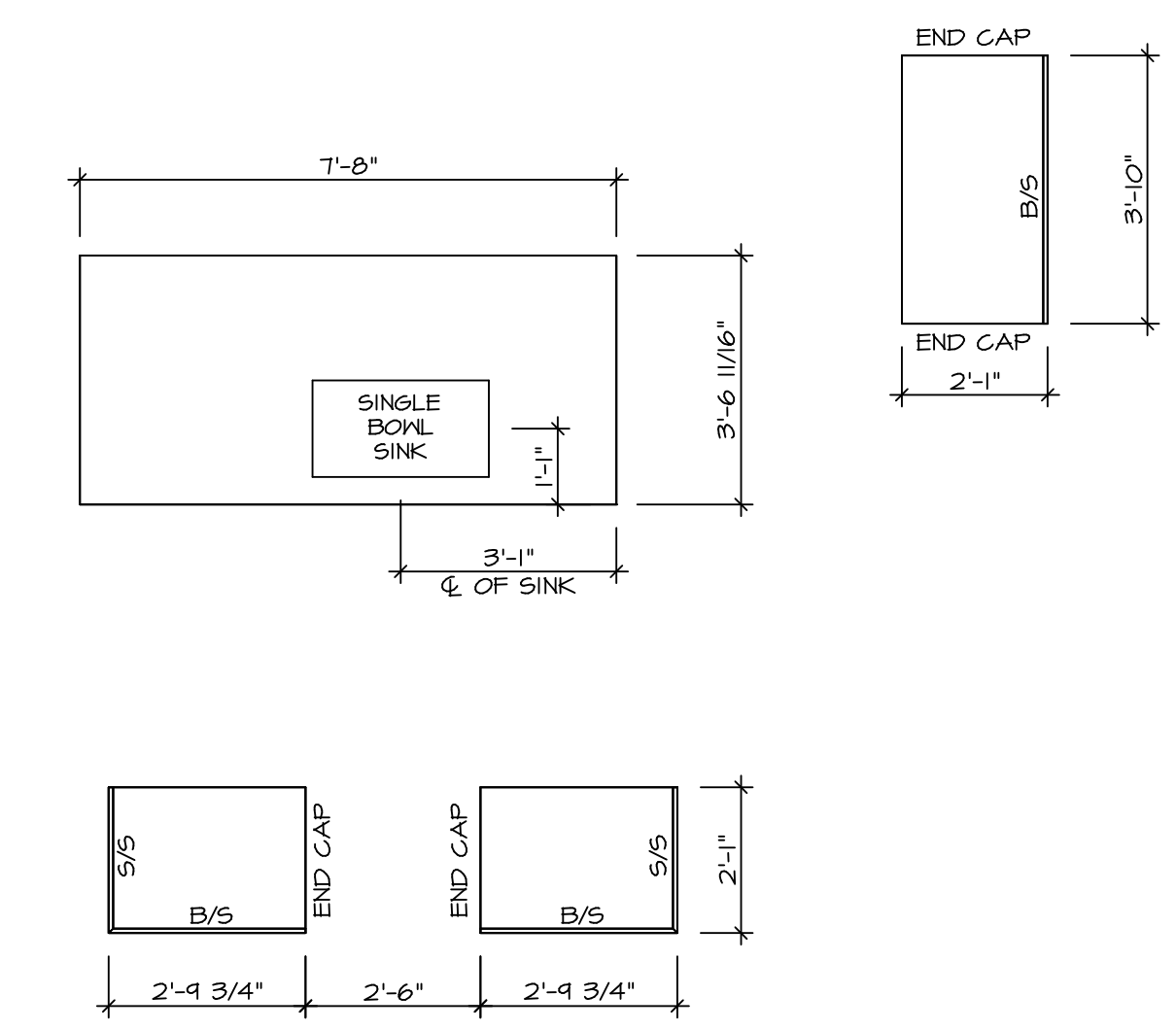
SHEET NO. **A-8**
MODEL **ALLEGHENY**
DRAWING TITLE **SECOND FLOOR PLAN**
OPTION DESCRIPTION

- NOTES:**
- CABINET LAYOUT (S) ARE BASED ON FINISHED DIMENSIONS TO DRYWALL.
 - IF KITCHEN PLANS/ELEVATIONS CALL-OUT STANDARD MOLDING, REFER TO STANDARD DETAIL (I)KT-1) FOR REPLACEMENT BASED ON CABINET STYLE.
 - ALL (U#) FILLERS ARE TO BE "TRIM TO FIT" UNLESS OTHERWISE NOTED.
 - CABINET MUST BE SET, SHIMMED, LEVELED AND PLUMB W/ ADJOINING BASE CABINETS.
 - SET PRE-FINISHED SCRIBE MOLDING AT CABINET BULKHEADS AND AT ENDS (WHERE CABINETS MEET DRYWALL) PRE-FINISHED SCRIBE MOLDING SHALL BE USED TO PAD OUT CABINET SIDES AT STILE FOR RETURN PIECES OF THE FACE-MOUNTED CABINET CROWN MOLDING.
 - HARDWARE INSTALL NOTE: KNOBS GO ON DOORS AND DRAWERS FOR ALL AREAS, ALL DRAWER FRONTS AND DOORS GET (I) KNOB/PULL. NO HARDWARE ON FALSE DRAWER FRONTS.



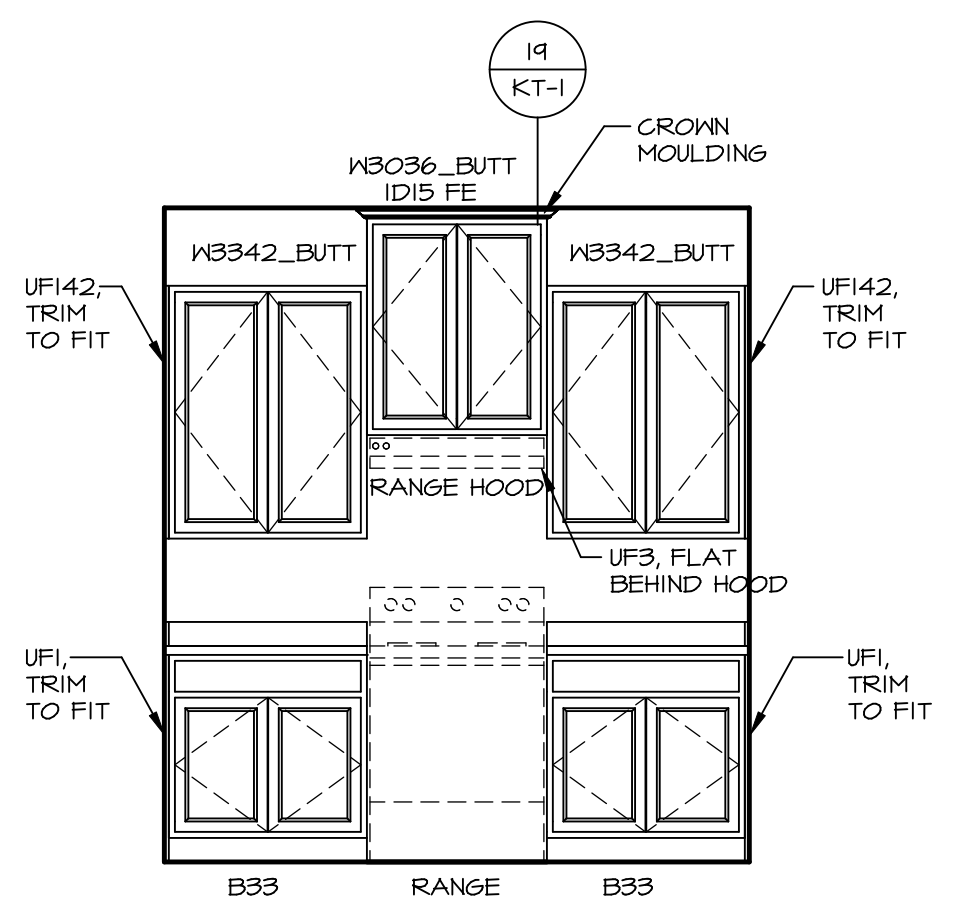
**KITCHEN CABINET
PLAN KC - 3489**

1
A-12 SCALE: 3/8" = 1'-0"

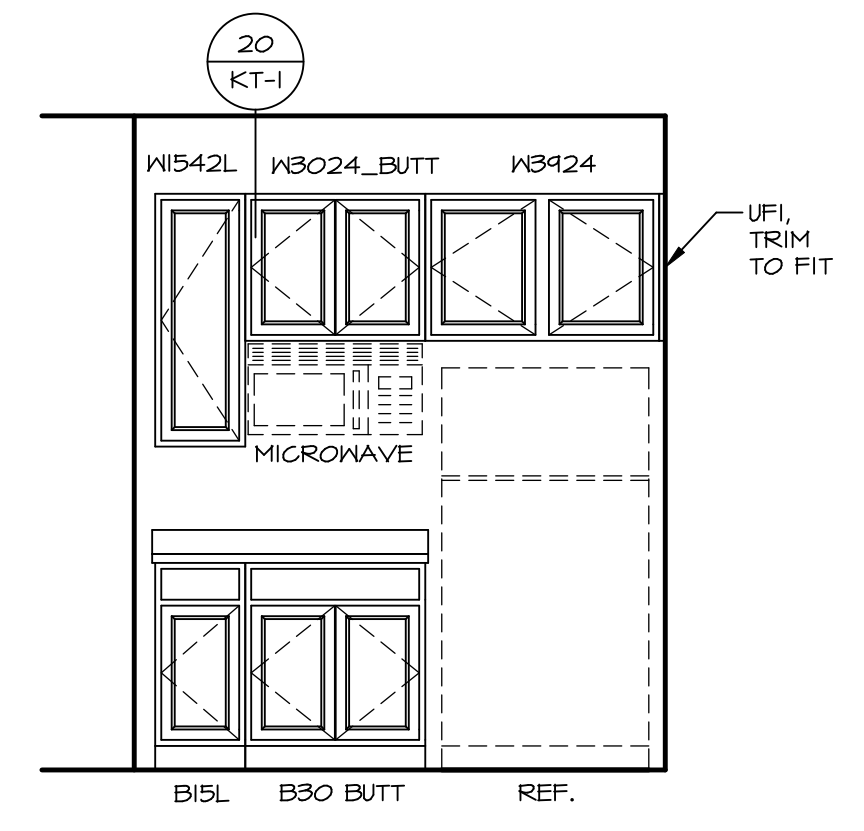


**KITCHEN COUNTERTOP
PLAN KC - 3489**

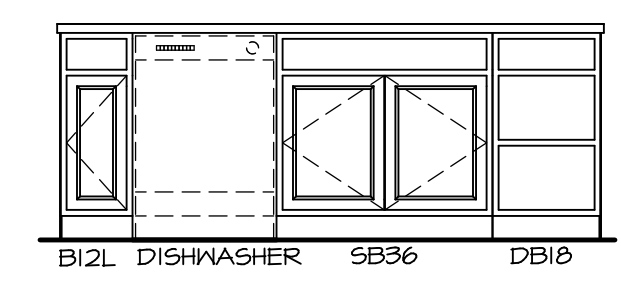
2
A-12 SCALE: 3/8" = 1'-0"



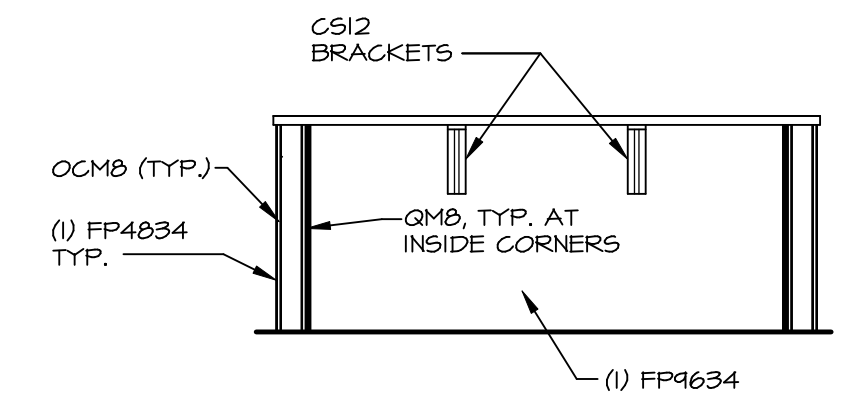
A ELEVATION "A"
SCALE: 3/8" = 1'-0"



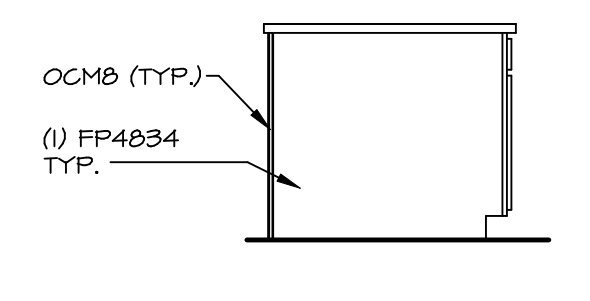
B ELEVATION "B"
SCALE: 3/8" = 1'-0"



C ELEVATION "C"
SCALE: 3/8" = 1'-0"

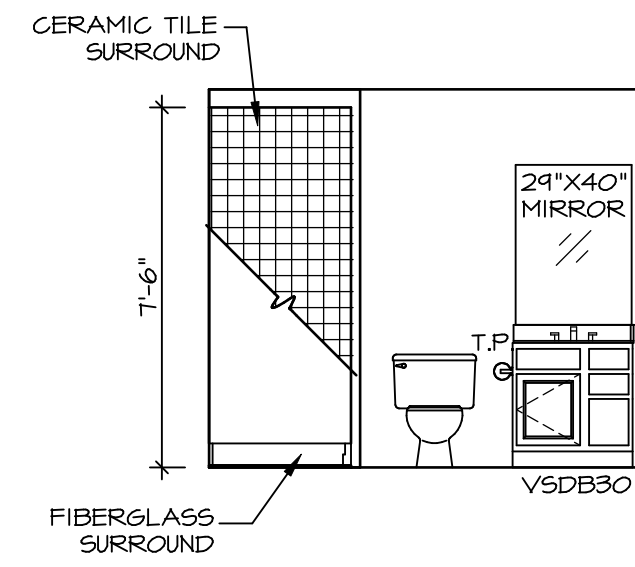


D ELEVATION "D"
SCALE: 3/8" = 1'-0"

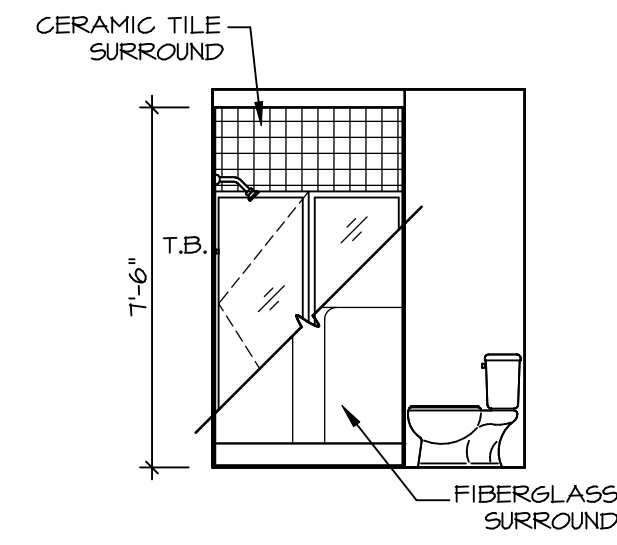


E ELEVATION "E"
SCALE: 3/8" = 1'-0"

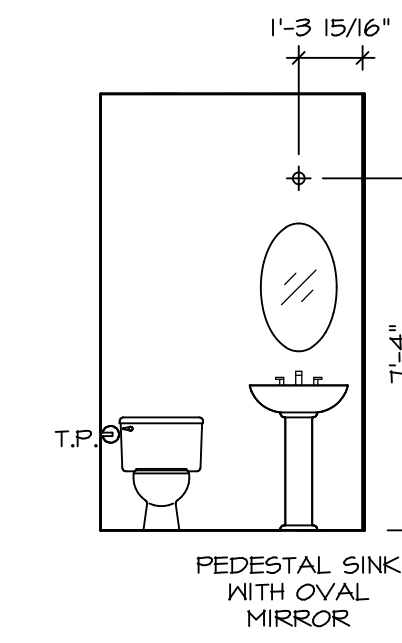
<p>SET NO. ALG00 VERSION 01 DRAWN BY KDH DATE: 8/3/17 OPTION</p>	
<p>MODEL ALLEGHENY DRAWING TITLE KITCHEN PLANS OPTION DESCRIPTION</p>	
<p>SHEET NO. A-12</p>	
<p>43</p>	
<p>© NVR, Inc. expressly reserves the right to modify these plans without notice. These plans are not to be reproduced, changed or altered in any way without the written consent of NVR, Inc.</p>	
<p>NVR NVR, Inc. Suite 100 5285 Washington Blvd. Frederick, MD 21703</p>	
<p>BIV-COMM-LOT-UNIT DCY-CH-S540 COMM-LOT CARRIAGE TRAILS - S540 STREET ADDRESS B108 WHITE ASH DRIVE CITY TIPP CITY STATE OH ZIP 45971</p>	



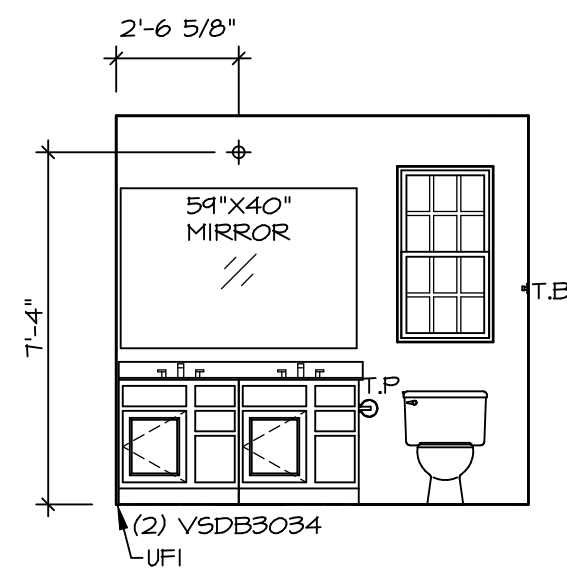
A BASEMENT BATH
SCALE: 1/4" = 1'-0"



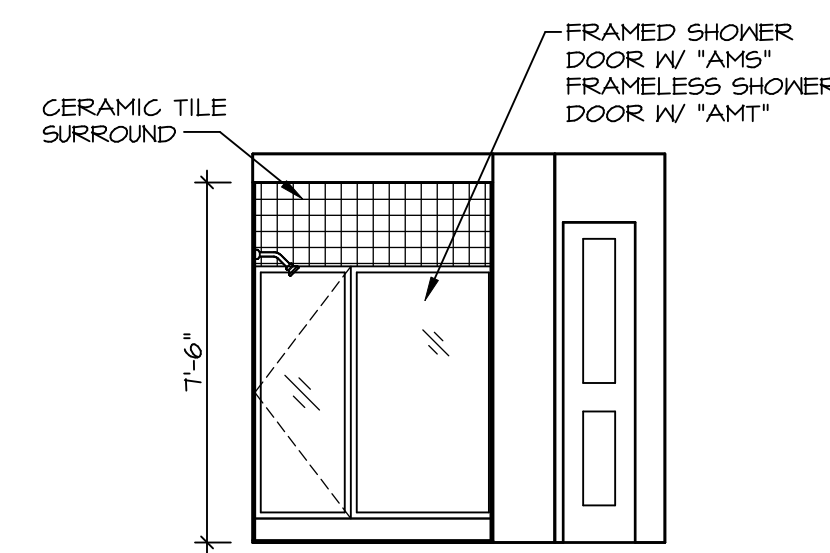
B BASEMENT BATH
SCALE: 1/4" = 1'-0"



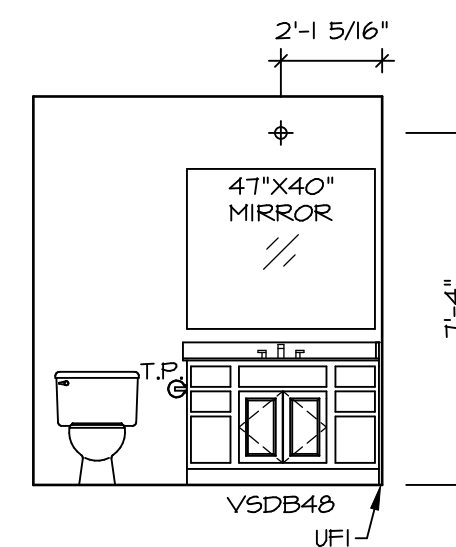
C POWDER ROOM
SCALE: 1/4" = 1'-0"



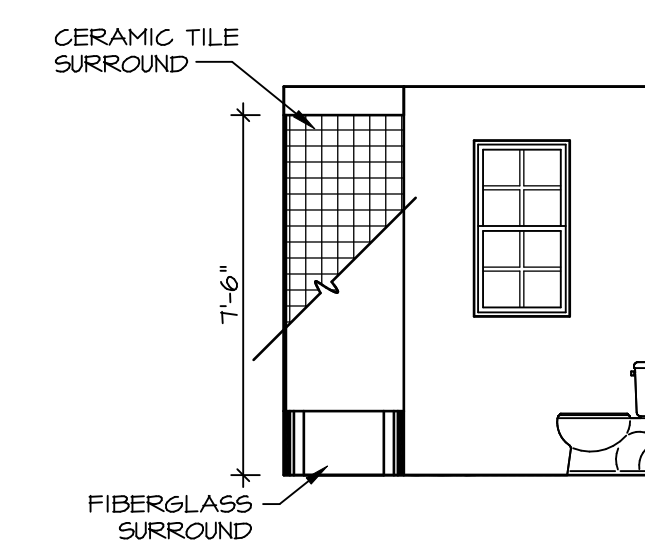
D OWNER'S BATH
SCALE: 1/4" = 1'-0"



F OWNER'S BATH
SCALE: 1/4" = 1'-0"



G BATH #1
SCALE: 1/4" = 1'-0"



H BATH #1
SCALE: 1/4" = 1'-0"

NOTES:

1. TEMPERED GLASS SHOWER ENCLOSURE WITH SWING DOOR OR OPTIONAL SLIDING DOOR BY DIVISION
2. TUB ACCESS PANELS PROVIDED AS NEEDED, ALL MATERIALS BY DIVISION
3. REFER TO SHEET IT-2 FOR TUB AND SHOWER DETAILS.
4. ALL VSDB24-42 DRAWERS TO BE SET ON RIGHT HAND.
5. ALL BATH ELEVATIONS ARE SHOWN PER PLAN.

SHEET NO. A-13	MODEL ALLEGHENY	SET NO. ALGOO	VERSION 01
		DRAWN BY YON	DATE: 4/8/17
OPTION DESCRIPTION	OPTION	DRAWING TITLE BATH ELEVATIONS	
		DRAWING DESCRIPTION	
44		DIV-COMM-LOT-UNIT DCY-CH-S540 COMM-LOT CARRIAGE TRAILS - S540 STREET ADDRESS 8108 WHITE ASH DRIVE CITY TIPP CITY STATE OH ZIP 45371	

NVR
NVR, Inc., Suite 100
5285 Westfield, MD 21703

© NVR, Inc. expressly reserves the right to modify or change these plans at any time without notice. These plans are not to be reproduced, changed or altered in any way without the written consent of NVR, Inc.