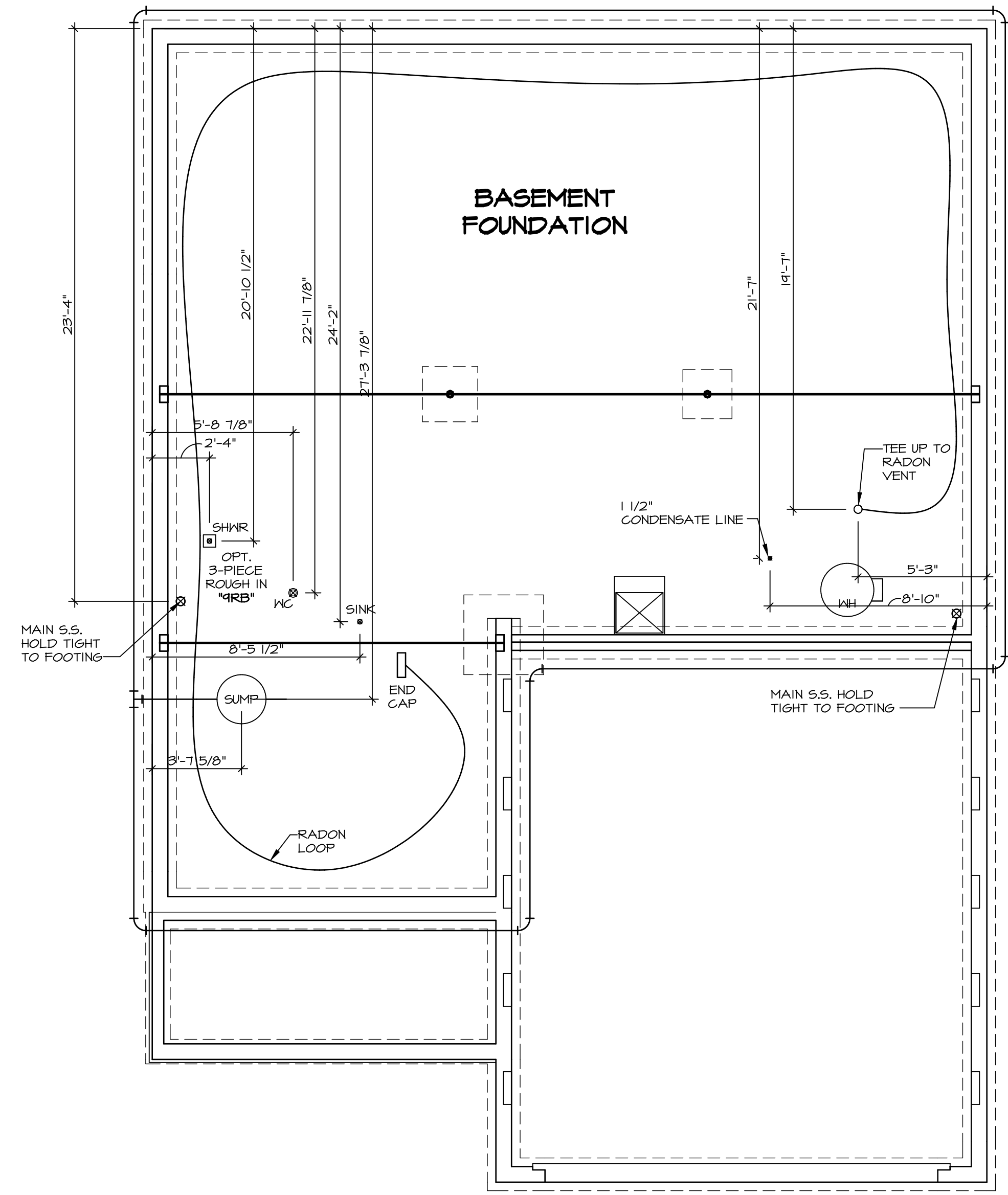


NOTE
 RADON REMEDIATION
 RADON LOOP:

- (4") PERFORATED HDPE "LOOP"
- MUST BE PLACED IN STONE BED SLIGHTLY HIGHER THAN ANY INTERIOR DRAINTILE
- LOOP TO BE SEPARATE FROM ANY DRAINTILE ELEMENTS
- TO BE CORRUGATED HDPE PIPE
- SCREENS TO BE INSTALLED THROUGH LOOP AT TEE UP INTO STACK

STACK REQUIREMENTS:

- 3" PVC STACK (4" IF BASEMENT IS GREATER THAN 2200 SQFT)
- NO PART OF STACK IS TO BE HORIZONTAL
- PIPE TO BE PHYSICALLY LABELED IN THE FIELD AS "RADON VENT" OR OTHER JURISDICTIONALLY REQUIRED LANGUAGE (ON EVERY LEVEL OF HOUSE)
- ROOF TERMINATION TO BE IN TOP 1/3 OF ROOF
- SCREEN INSTALLED TO KEEP PESTS OUT OF RADON VENT AT ROOF TERMINATION



PLUMBING PLAN
 SCALE: 1/4" = 1'-0"

SHEET NO. A-5	MODEL BALLENGER	SET NO. BL600	OPTION DESCRIPTION PLUMBING PLAN
	DRAWING TITLE PLUMBING PLAN	VERSION 01	
23	DATE:	DATE:	OPTION
	OPTION	OPTION	OPTION
DIV-COMM-LOT-UNIT DCY-CH-S543		COMM-LOT CARRIAGE TRAILS - S543	
STREET ADDRESS 9126 WHITE ASH DRIVE		CITY TIPP CITY	STATE OH
APT. NO. ----		ZIP 45371	
© NVR, Inc. expressly reserves the right to modify these plans without notice. These plans are not to be reproduced, changed or altered in any way without the written consent of NVR, Inc.			
5285 Westchester, Suite 100 Frederick, MD 21703			

LEGEND	
	BEARING WALL
	NON BEARING WALL
	INDICATES BEARING FROM POINT-LOAD ABOVE
	JACKS
	BEAM/HEADER
	PAD FOOTING
	STEEL COLUMN
	PORTAL FRAME
	JOIST/TRUSS
	LVL
	ENGINEERING PAGE NUMBER

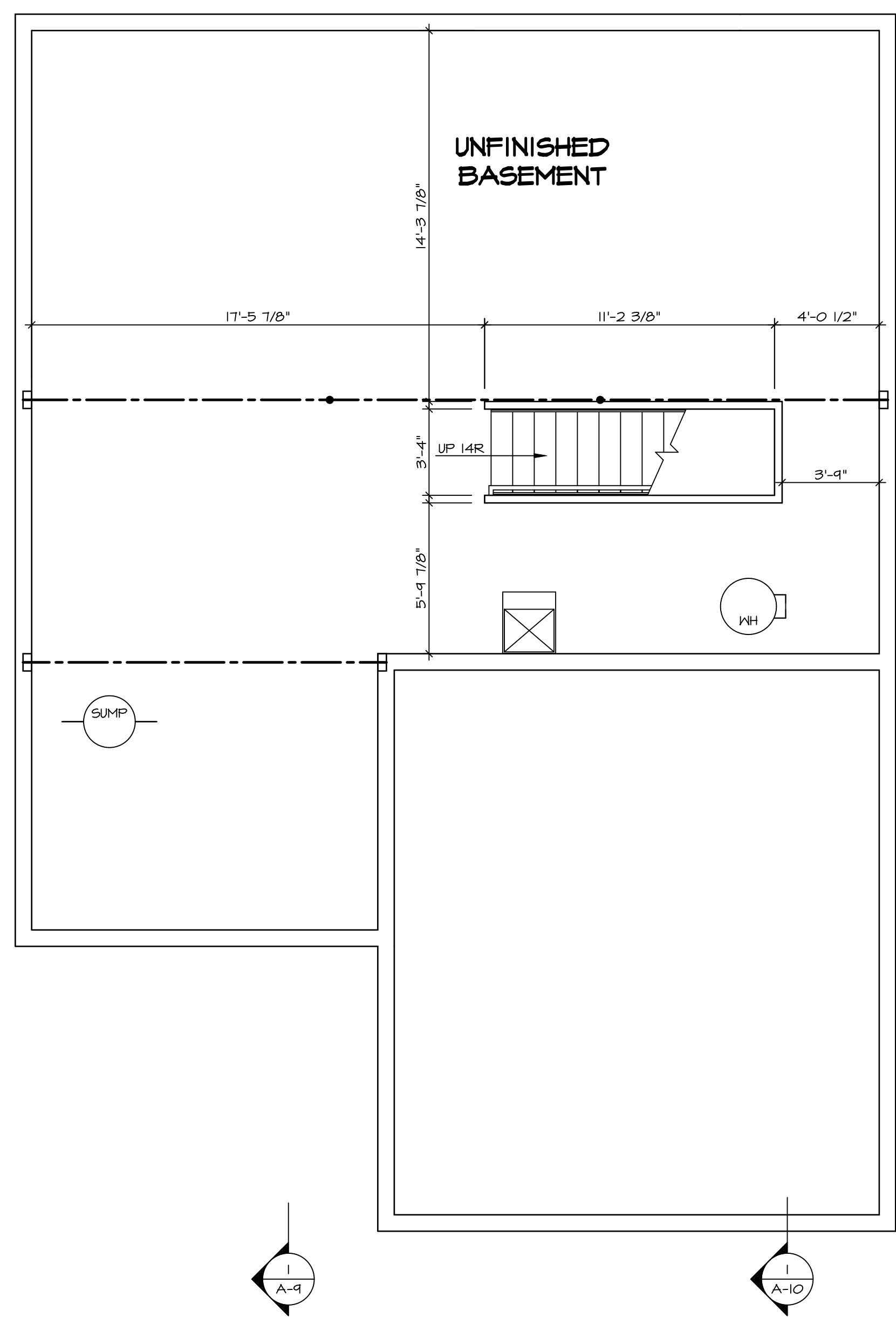
SEE FC DETAILS FOR FRAMING CONNECTORS

- FLOOR PLAN NOTES**
- ALL HEADERS ARE (2) 2x6 w/ 2x4 WALLS OR (3) 2x6 w/ 2x6 WALLS, UNLESS OTHERWISE NOTED.
 - ALL HEADERS TO HAVE (1) 2x4 OR 2x6 JACK AND KING STUD EACH END, UNLESS OTHERWISE NOTED.
 - ALL EXTERIOR WALLS TO BE 4" w/ OSB OR 3 1/2" w/ T-PLY, ALL INTERIOR WALLS TO BE 3 1/2", UNLESS OTHERWISE NOTED.
 - HATCHED AREAS INDICATE DROPPED CEILINGS. ALL DROPPED CEILINGS ARE 12" UNLESS OTHERWISE NOTED.
 - SEE "BRACED WALL PANEL DETAIL SHEET" FOR SPECIAL WALL FRAMING LOCATIONS AND HEADER SIZES, IF APPLICABLE.
 - SEE STANDARD DETAIL CATEGORY "IT" SHEET(S) FOR INTERIOR TRIM DETAILS.
 - SEE ARCHITECTURAL DETAIL SHEET "AD" FOR HOUSE SPECIFIC INTERIOR TRIM OPTION TABLE.
 - ALL WINDOWS HAVE T-O 1/2" HEADER HEIGHT UNLESS OTHERWISE NOTED.
 - ALL HEADERS IN NON-BEARING WALLS SHALL BE A SINGLE FLAT 2x4 OR 2x6 ATTACHED TO CRIPPLES ABOVE, UNLESS OTHERWISE NOTED.
 - TANKED WATER HEATER SHOWN AS BASE CONDITION, OPTIONAL TANKLESS WATER HEATER IS AVAILABLE IN LIEU OF TANKED WATER HEATER.

GYPSUM NOTES

AT GARAGE:
GYPSUM BOARD AT COMMON WALLS, CEILINGS, BEAM WRAPS AND SUPPORTS PER STANDARD DETAIL FA-1(b) FIRE ASSEMBLIES OR AS REQUIRED BY LOCAL CODE.

AT STAIRS:
1/2" GYPSUM BOARD AT UNDERSIDE OF STAIRS AND WALLS IN CLOSET



BASEMENT FLOOR PLAN
SCALE: 1/4" = 1'-0"

SHEET NO. A-6	MODEL BALLENGER	SET NO. BL600	VERSION 01
		DRAWN BY	DATE:
OPTION DESCRIPTION 27	DRAWING TITLE BASEMENT FLOOR PLAN	OPTION	
		DRAWN BY	
DIV-COMM-LOT-UNIT DCY-CH-S543		COMM-LOT CARRIAGE TRAILS - S543	
STREET ADDRESS 8126 WHITE ASH DRIVE		CITY TIPP CITY	STATE OH
APT. NO. ----		ZIP 45371	
© NVR, Inc. All rights reserved. The owner expressly reserves the right to modify these plans at any time without notice. These plans are not to be reproduced, changed or altered in any way without the written consent of NVR, Inc.			
5285 Westpark Drive, Suite 100 Frederick, MD 21703		C:\NVR\Solves\BALLENGER-BL600_01\DCY-CH-S543\785308\Sheets\Lot_Specific\27_A-6_BSM_LS.dwg 04/12/20 - 7:00 pm	

FIRST FLOOR JACK SCHEDULE				
IDENTIFIER	DESCRIPTION	OPTIONS	ENG. NUM.	REMARKS
J101	JACK - (2) 2X4 SFF STUD GRADE		1041	
J102	JACK - (2) 2X4 SFF STUD GRADE		1041	
J103	JACK - (3) 2X4 SFF STUD GRADE		1045	
J104	JACK - (3) 2X4 SFF STUD GRADE		1045	
J105	JACK - (2) 2X4 SFF STUD GRADE		1028	
J106	JACK - (2) 2X4 SFF STUD GRADE		1028	
J111	JACK - (3) 2X4 SFF STUD GRADE	ELK	1028	
J115	JACK - (4) 2X4 SFF STUD GRADE	ELA, ELK	1012	
J116	JACK - (5) 2X4 SFF STUD GRADE	ELA, ELK, 6CB	1012	
J125	JACK - (4) 2X4 SFF STUD GRADE		1006	
J126	JACK - (4) 2X4 SFF STUD GRADE		1006	
J130	JACK - (2) 2X4 SFF STUD GRADE			
J131	JACK - (2) 2X4 SFF STUD GRADE			
J132	JACK - (4) 2X4 SFF STUD GRADE		1006	

STEEL COLUMN SCHEDULE					
IDENTIFIER	STYLE	HEIGHT	OPTIONS	ENG. NUM.	REMARKS
---	STANCHION PORCH - 3 IN DIA ADJ	4'-4 7/8"			
C101	STANCHION - 3 IN SCHED 40	7'-11 1/8"		1008	
C102	STANCHION - 3 IN SCHED 40	7'-11 1/8"		1008	

FIELD INSTALLED FIRST FLOOR BEAM/HEADER SCHEDULE					
IDENTIFIER	DESCRIPTION	LENGTH	OPTIONS	ENG. NUM.	REMARKS
B101	BEAM STEEL - W12X35	24'-11"		1008	
B102	BEAM STEEL - W10X26	20'-0"	ELA, ELK, 5XC	1012	
PF101-2	EXT HEADER - 2X12 - 2 PLY	19'-4"	6CB	1028	2-PLY PORTAL FRAME

LVL PLY TO PLY FASTENING SCHEDULE: (WHERE APPLICABLE BASED ON LVL USAGE)

1.A - (2) PLY UP TO AND INCLUDING 1 7/8" TALL; FASTEN PLYS W/ (2) ROWS 16D NAILS AT 12" O.C. OR ALT 1 1/2" WIDE LVL FASTEN PLYS W/ (3) ROWS 12D NAILS AT 12" O.C.

2.A - (2) PLY 1 1/2" TO AND INCLUDING 1 7/8" TALL (INCLUSIVE); FASTEN PLYS W/ (3) ROWS 16D NAILS AT 12" O.C. OR ALT 1 1/2" WIDE LVL FASTEN PLYS W/ (4) ROWS 12D NAILS AT 12" O.C.

3.A - (2) PLY 2 1/2" TALL AND OVER; FASTEN PLYS W/ (4) ROWS 16D NAILS AT 12" O.C. OR ALT 1 1/2" WIDE LVL FASTEN PLYS W/ (5) ROWS 12D NAILS AT 12" O.C.

4.A - (3) PLY UP TO AND INCLUDING 1 7/8" TALL; FASTEN PLYS W/ (2) ROWS 16D NAILS AT 12" O.C. FROM EACH SIDE OR ALT 1 1/2" WIDE LVL FASTEN PLYS W/ (3) ROWS 12D NAILS AT 12" O.C. FROM EACH SIDE.

5.A - (3) PLY 1 1/2" TO AND INCLUDING 1 7/8" TALL (INCLUSIVE); FASTEN PLYS W/ (3) ROWS 16D NAILS AT 12" O.C. FROM EACH SIDE OR ALT 1 1/2" WIDE LVL FASTEN PLYS W/ (4) ROWS 12D NAILS AT 12" O.C. FROM EACH SIDE.

6.A - (3) PLY 2 1/2" TALL AND OVER; FASTEN PLYS W/ (4) ROWS 16D NAILS AT 12" O.C. FROM EACH SIDE OR ALT 1 1/2" WIDE LVL FASTEN PLYS W/ (5) ROWS 12D NAILS AT 12" O.C. FROM EACH SIDE.

7.A - (4) PLY (ALL SIZES); FASTEN PLYS W/ (2) ROWS 1/2" DIAMETER A307 BOLTS AT 24" O.C. SEE SHOP DRAWING FOR ADDITIONAL INFORMATION.

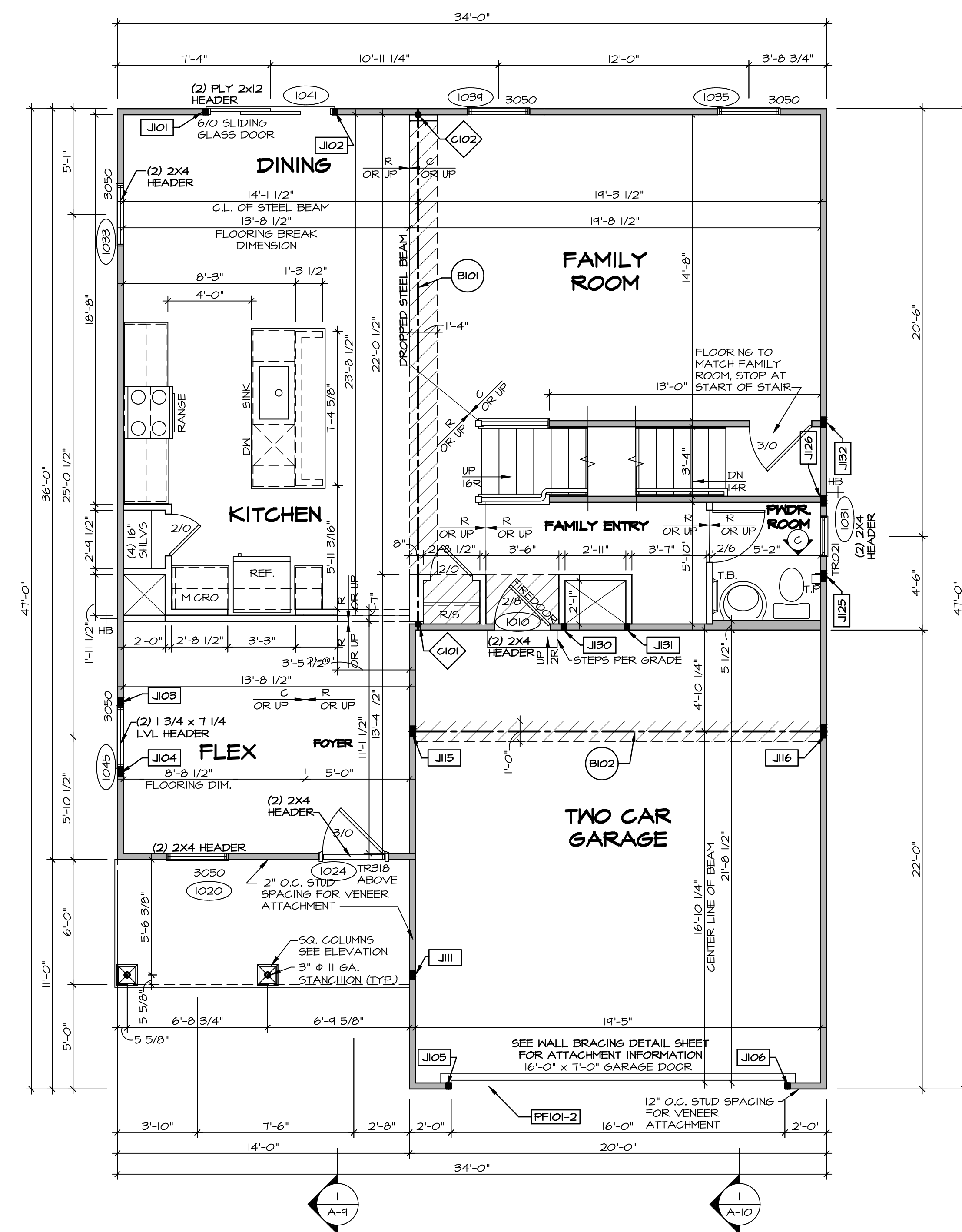
LEGEND

- BEARING WALL
- NON BEARING WALL
- INDICATES BEARING FROM POINT-LOAD ABOVE
- JACKS
- BEAM/HEADER
- PAD FOOTING
- STEEL COLUMN
- PORTAL FRAME
- JOIST/TRUSS
- LVL
- ENGINEERING PAGE NUMBER

SEE FC DETAILS FOR FRAMING CONNECTORS

- FLOOR PLAN NOTES**
- ALL HEADERS ARE (2) 2x6 W/ 2x4 WALLS OR (3) 2x6 W/ 2x6 WALLS, UNLESS OTHERWISE NOTED.
 - ALL HEADERS TO HAVE (1) 2x4 OR 2x6 JACK AND KING STUD EACH END, UNLESS OTHERWISE NOTED.
 - ALL EXTERIOR WALLS TO BE 4" W/ OSB OR 3 1/2" W/ T-PLY. ALL INTERIOR WALLS TO BE 3 1/2", UNLESS OTHERWISE NOTED.
 - HATCHED AREAS INDICATE DROPPED CEILINGS. ALL DROPPED CEILINGS ARE 12" UNLESS OTHERWISE NOTED. SEE "BRACED WALL PANEL DETAIL SHEET" FOR SPECIAL WALL FRAMING LOCATIONS AND HEADER SIZES, IF APPLICABLE.
 - SEE STANDARD DETAIL CATEGORY "IT" SHEET(S) FOR INTERIOR TRIM DETAILS.
 - SEE ARCHITECTURAL DETAIL SHEET "AD" FOR HOUSE SPECIFIC INTERIOR TRIM OPTION TABLE.
 - ALL WINDOWS HAVE 7'-0 1/2" HEADER HEIGHT UNLESS OTHERWISE NOTED.
 - ALL HEADERS IN NON-BEARING WALLS SHALL BE A SINGLE FLAT 2x4 OR 2x6 ATTACHED TO CRIPPLES ABOVE, UNLESS OTHERWISE NOTED.
 - TANKED WATER HEATER SHOWN AS BASE CONDITION. OPTIONAL TANKLESS WATER HEATER IS AVAILABLE IN LIEU OF TANKED WATER HEATER.

- GYPSUM NOTES**
- AT GARAGE:
GYPSUM BOARD AT COMMON WALLS, CEILINGS, BEAM WRAPS AND SUPPORTS PER STANDARD DETAIL FA-1(b) FIRE ASSEMBLIES OR AS REQUIRED BY LOCAL CODE.
- AT STAIRS:
1/2" GYPSUM BOARD AT UNDERSIDE OF STAIRS AND WALLS IN CLOSET



FIRST FLOOR PLAN
SCALE: 1/4" = 1'-0"

DCY-CH-S543

COMMITTEE: DCY-CH-S543

STREET ADDRESS: CARRIAGE TRAILS - 9543

CITY: TIPP CITY

STATE: OH

ZIP: 45371

NVR
NVR, Inc. Suite 100
5285 Washington Road
Frederick, MD 21703

SET NO. BLG00
VERSION 01
DRAWN BY
DATE:
OPTION

BALLENGER
DRAWING TITLE
FIRST FLOOR PLAN
OPTION DESCRIPTION

A-7

29

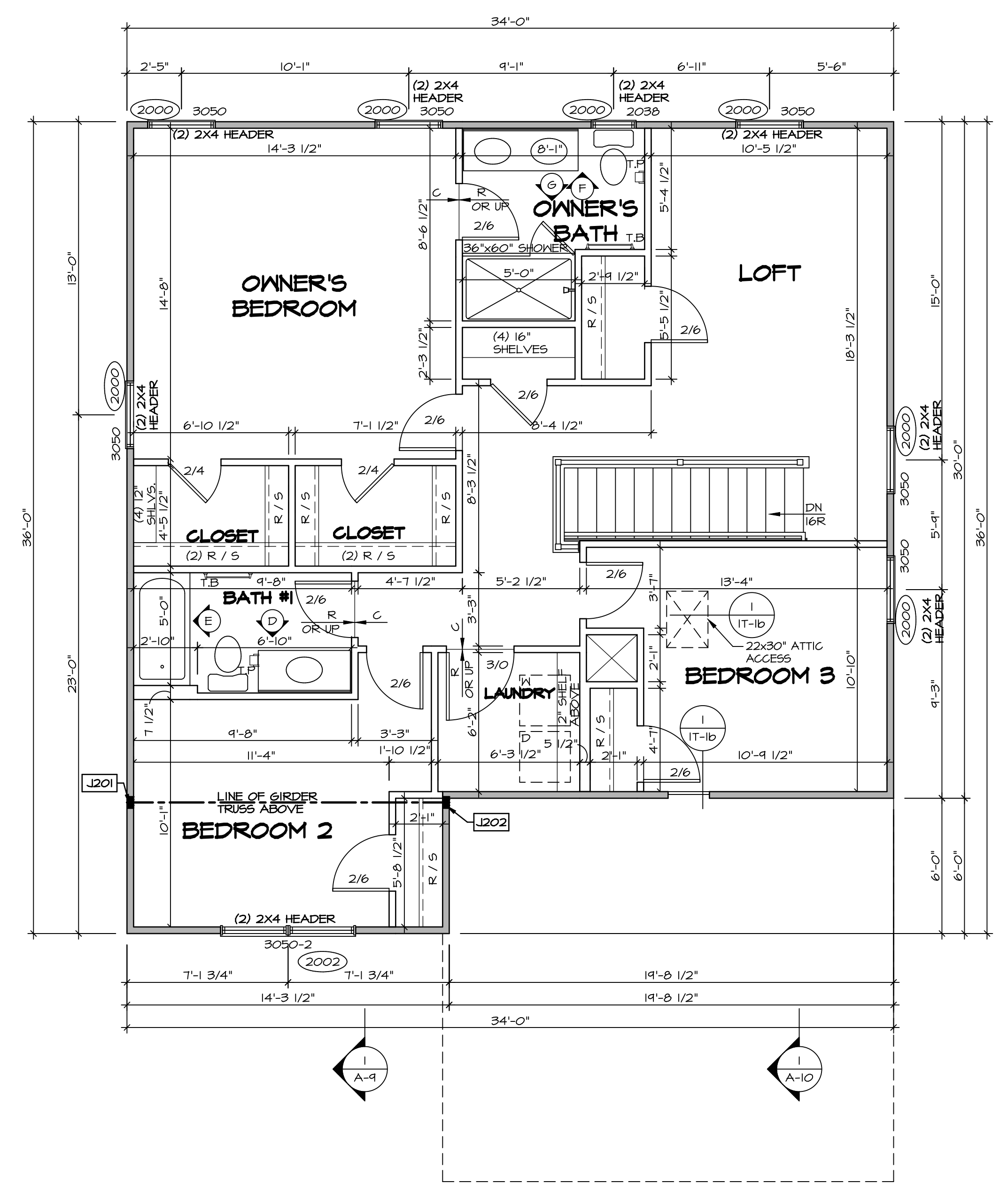
SECOND FLOOR JACK SCHEDULE				
IDENTIFIER	DESCRIPTION	OPTIONS	ENG. NUM.	REMARKS
J201	JACK - (4) 2X4 SPF STUD GRADE	ELA, ELK	2004	
J202	JACK - (4) 2X4 SPF STUD GRADE	ELA, ELK	2004	

LEGEND	
	BEARING WALL
	NON BEARING WALL
	INDICATES BEARING FROM POINT-LOAD ABOVE
	JACKS
	BEAM/HEADER
	PAD FOOTING
	STEEL COLUMN
	PORTAL FRAME
	JOIST/TRUSS
	LVL
	ENGINEERING PAGE NUMBER

SEE FG DETAILS FOR FRAMING CONNECTORS

- FLOOR PLAN NOTES**
- ALL HEADERS ARE (2) 2x6 w/ 2x4 WALLS OR (3) 2x6 w/ 2x6 WALLS, UNLESS OTHERWISE NOTED.
 - ALL HEADERS TO HAVE (1) 2x4 OR 2x6 JACK AND KING STUD EACH END, UNLESS OTHERWISE NOTED.
 - ALL EXTERIOR WALLS TO BE 4" w/ OSB OR 3 1/2" w/ T-PLY. ALL INTERIOR WALLS TO BE 3 1/2", UNLESS OTHERWISE NOTED.
 - HATCHED AREAS INDICATE DROPPED CEILINGS. ALL DROPPED CEILINGS ARE 12" UNLESS OTHERWISE NOTED. SEE "BRACED WALL PANEL DETAIL SHEET" FOR SPECIAL WALL FRAMING LOCATIONS AND HEADER SIZES, IF APPLICABLE.
 - SEE STANDARD DETAIL CATEGORY "IT" SHEET(S) FOR INTERIOR TRIM DETAILS.
 - SEE ARCHITECTURAL DETAIL SHEET "AD" FOR HOUSE SPECIFIC INTERIOR TRIM OPTION TABLE.
 - ALL WINDOWS HAVE 7'-0 1/2" HEADER HEIGHT UNLESS OTHERWISE NOTED.
 - ALL HEADERS IN NON-BEARING WALLS SHALL BE A SINGLE FLAT 2X4 OR 2X6 ATTACHED TO CRIPPLES ABOVE, UNLESS OTHERWISE NOTED.
 - TANKED WATER HEATER SHOWN AS BASE CONDITION. OPTIONAL TANKLESS WATER HEATER IS AVAILABLE IN LIEU OF TANKED WATER HEATER.

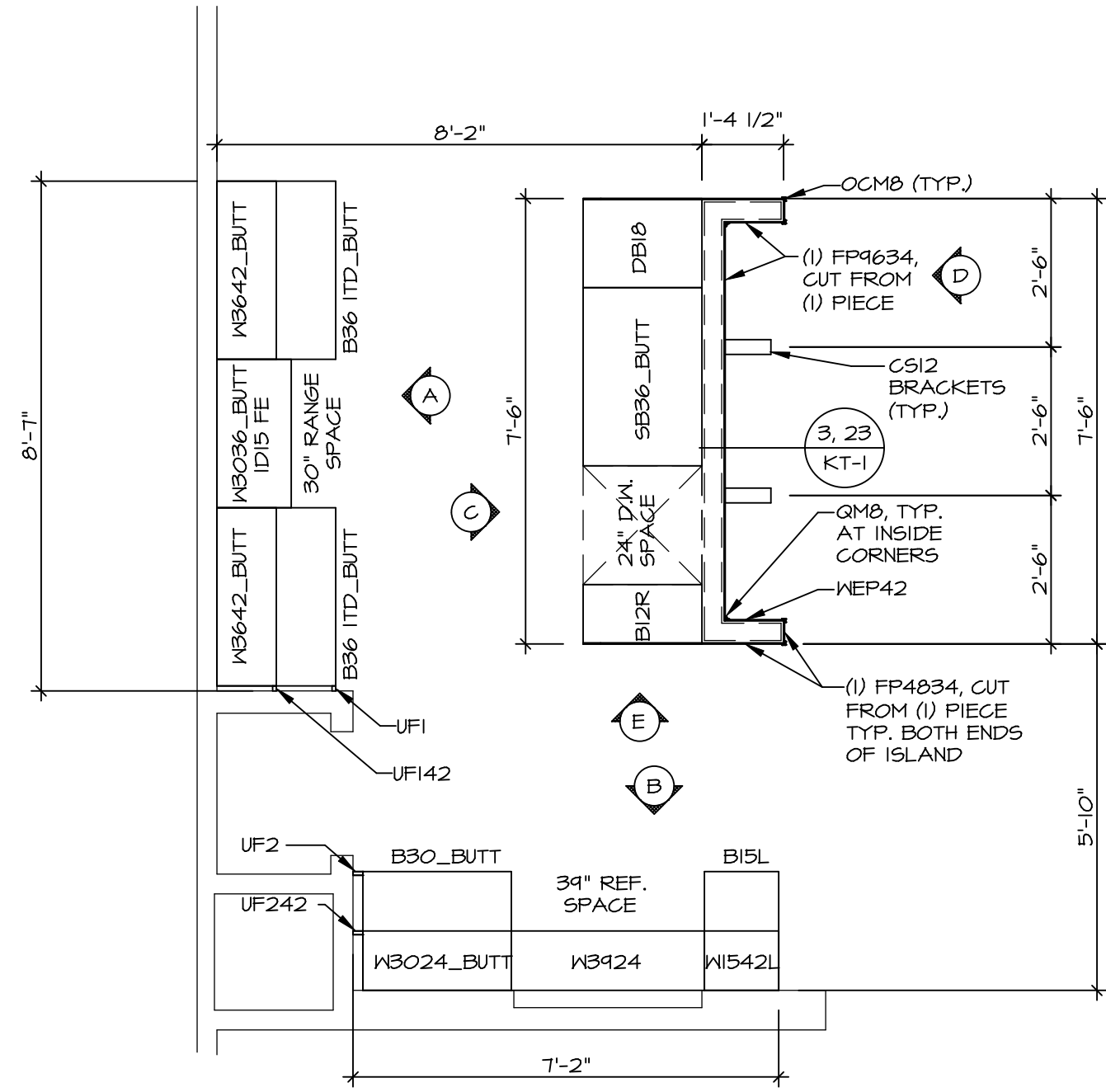
- GYPSUM NOTES**
- AT GARAGE:
GYPSUM BOARD AT COMMON WALLS, CEILINGS, BEAM WRAPS AND SUPPORTS PER STANDARD DETAIL FA-1(b) FIRE ASSEMBLIES OR AS REQUIRED BY LOCAL CODE.
- AT STAIRS:
1/2" GYPSUM BOARD AT UNDERSIDE OF STAIRS AND WALLS IN CLOSET



SECOND FLOOR PLAN
SCALE: 1/4" = 1'-0"

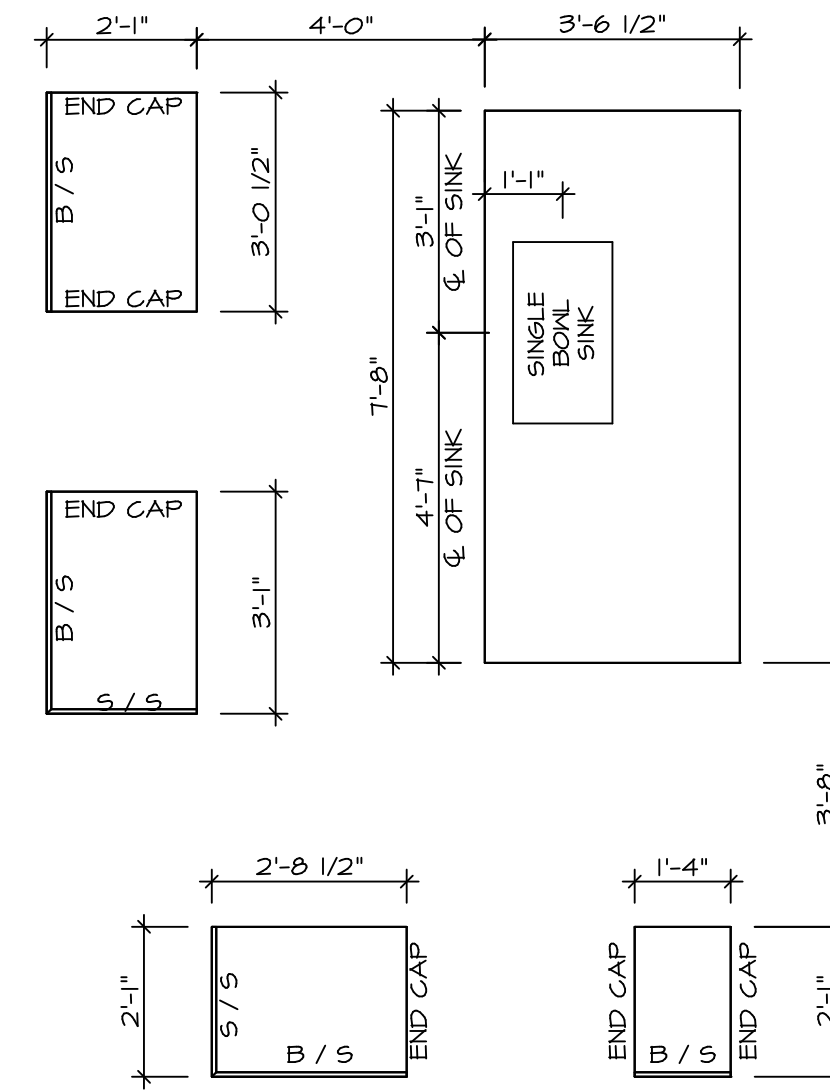
SHEET NO. A-8	MODEL BALLENGER	SET NO. BLG00	VERSION 01
		DRAWN BY	DATE:
OPTION DESCRIPTION 32	DRAWING TITLE SECOND FLOOR PLAN	OPTION	OPTION
		DATE:	OPTION
DIV-COMM-LOT-UNIT DCY-CH-S543 COMM-LOT CARRIAGE TRAILS - S543 STREET ADDRESS B126 WHITE ASH DRIVE CITY TIPP CITY STATE OH ZIP 45371		APT. NO. --- APT. NO. --- STATE OH ZIP 45371	
© NVR, Inc. All rights reserved. The owner expressly reserves the right to modify or change these plans at any time without notice. These plans are not to be reproduced, changed or altered in any way without the written consent of NVR, Inc.		NVR NVR, Inc. Suite 100 Frederick, MD 21703 5285 Washburn Drive	
C:\NVR\Solves\BALLENGER-BLG00_01\DCY-CH-S543\785308\Sheets\Lot_Specific\32_A-8_PLAN_LS.dwg 04/12/20 - 7:00 PM			

- NOTES:**
1. CABINET LAYOUT (S) ARE BASED ON FINISHED DIMENSIONS TO DRYWALL.
 2. IF KITCHEN PLANS/ELEVATIONS CALL-OUT STANDARD MOLDING, REFER TO STANDARD DETAIL (1/KT-1) FOR REPLACEMENT BASED ON CABINET STYLE.
 3. ALL (FP#) FILLERS ARE TO BE "TRIM TO FIT" UNLESS OTHERWISE NOTED.
 4. CABINET MUST BE SET, SHIMMED, LEVELED AND PLUMB W/ ADJOINING BASE CABINETS.
 5. SET PRE-FINISHED SCRIBE MOLDING AT CABINET BULKHEADS AND AT ENDS (WHERE CABINETS MEET DRYWALL.) PRE-FINISHED SCRIBE MOLDING SHALL BE USED TO PAD OUT CABINET SIDES AT STILE FOR RETURN PIECES OF THE FACE-MOUNTED CABINET CROWN MOLDING.
 6. HARDWARE INSTALL NOTE: KNOBS GO ON DOORS AND DRAWERS FOR ALL AREAS. ALL DRAWER FRONTS AND DOORS GET (1) KNOB/ FILL. NO HARDWARE ON FALSE DRAWER FRONTS.



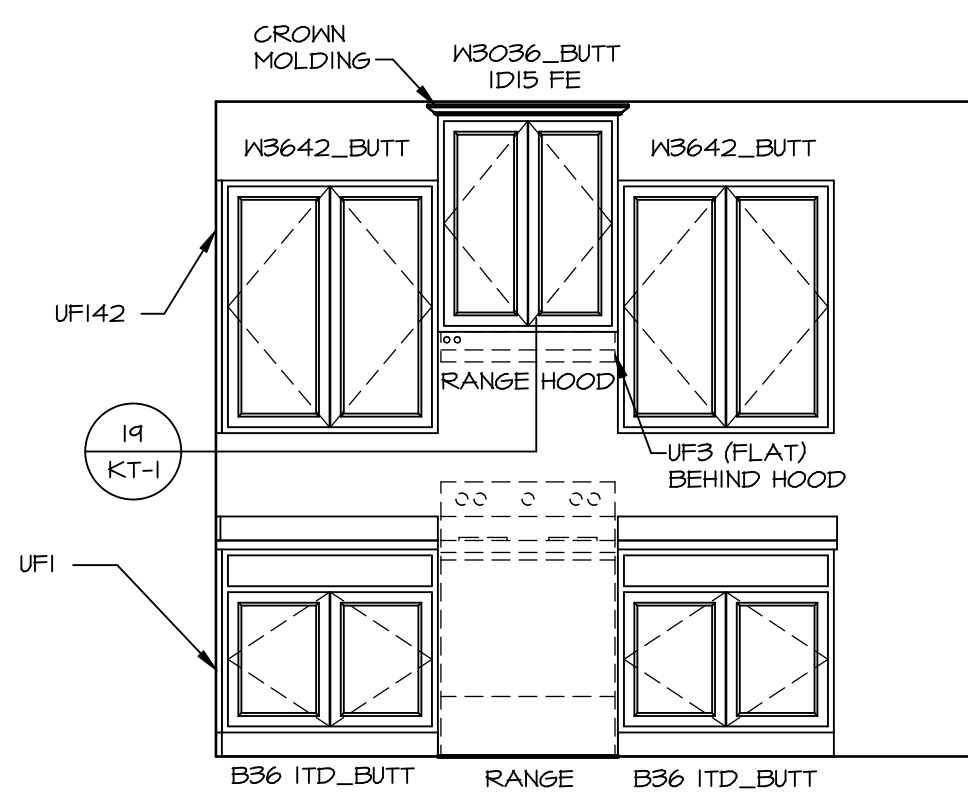
KITCHEN CABINET PLAN (KC - 3491)

SCALE: 3/8" = 1'-0"



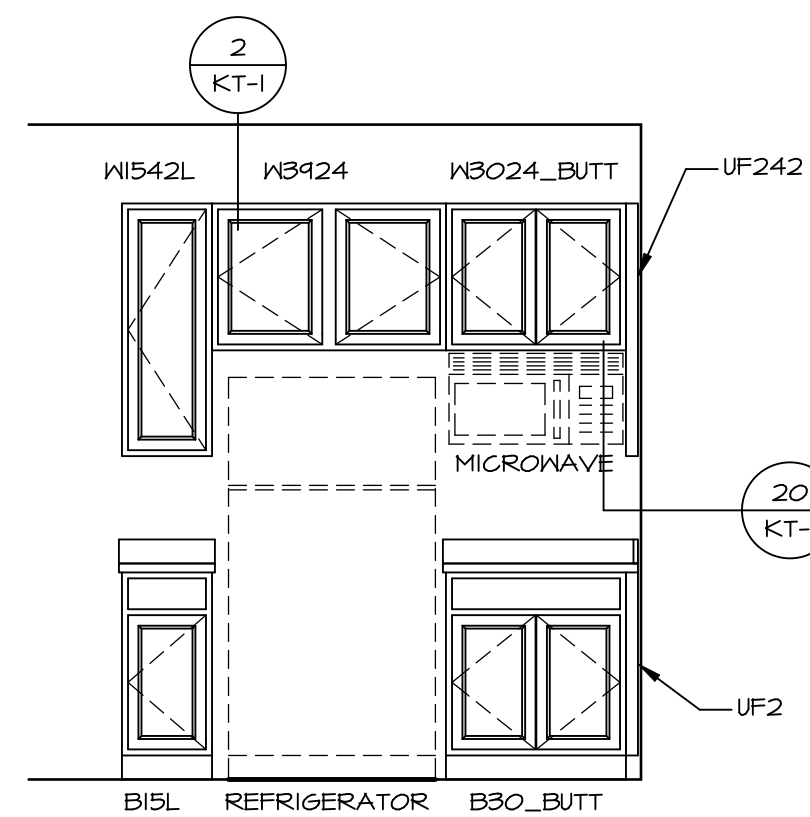
KITCHEN COUNTERTOP PLAN (KC - 3491)

SCALE: 3/8" = 1'-0"



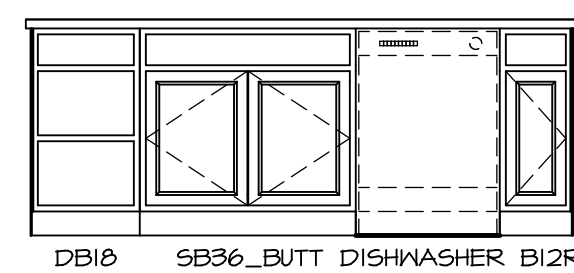
ELEVATION "A"

SCALE: 3/8" = 1'-0"



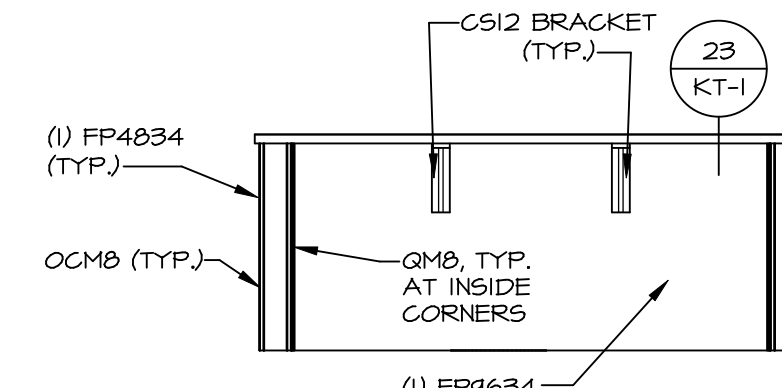
ELEVATION "B"

SCALE: 3/8" = 1'-0"



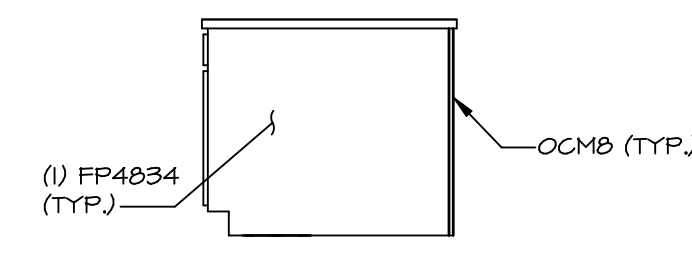
ELEVATION "C"

SCALE: 3/8" = 1'-0"



ELEVATION "D"

SCALE: 3/8" = 1'-0"

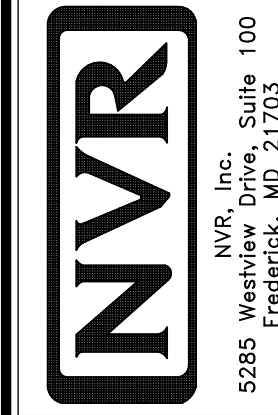


ELEVATION "E"

SCALE: 3/8" = 1'-0"

MODEL: **BALLENGER**
 DRAWING TITLE: **KITCHEN PLANS**
 OPTION DESCRIPTION:

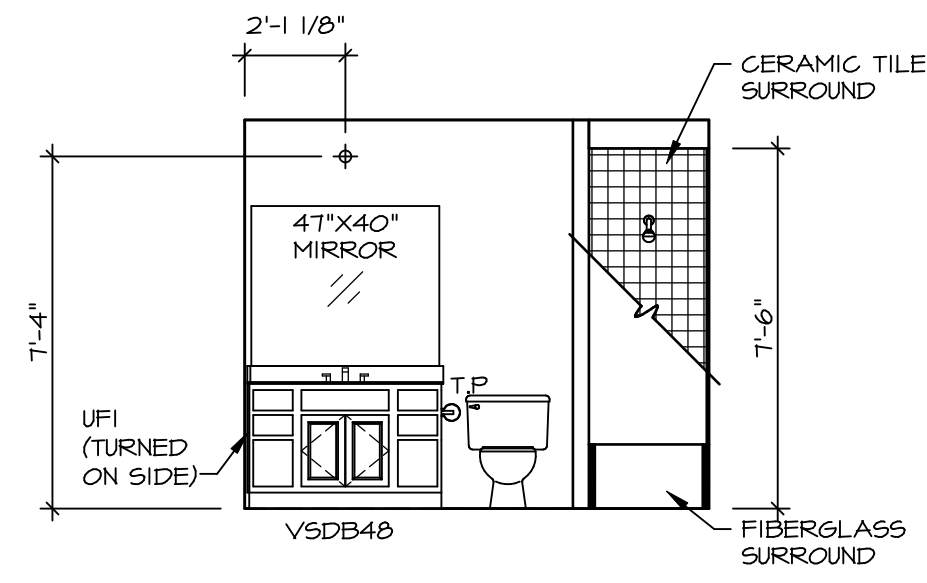
SHEET NO. **A-12**
 47



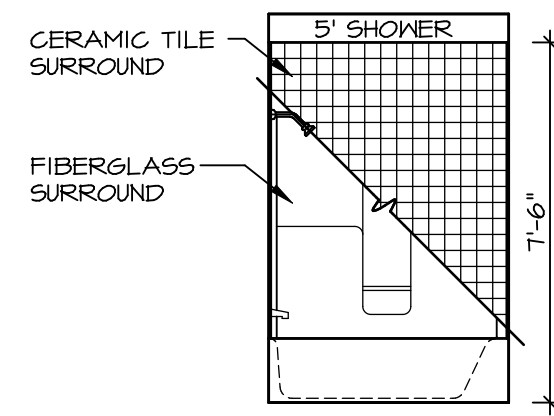
© NVR, Inc. expressly reserves the right to modify these plans at any time without notice. These plans are not to be reproduced, changed or altered in any way without the written consent of NVR, Inc.

BIV-COMM-LOT-UNIT
DCY-CH-S543
 COMM-LOT
 CARRIAGE TRAILS - S543
 STREET ADDRESS
 B126 WHITE ASH DRIVE
 CITY TIPP CITY STATE OH ZIP 45371

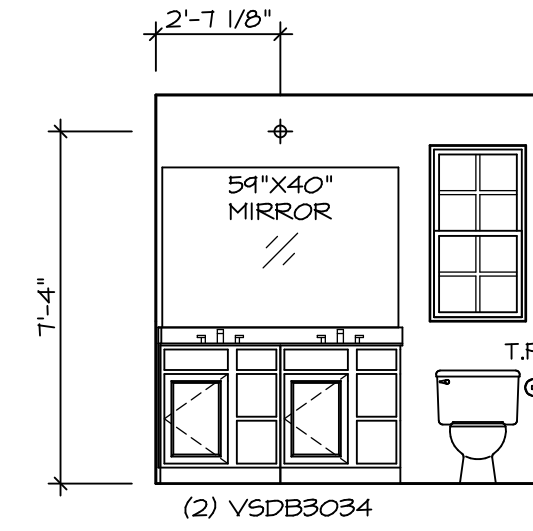
SET NO. **BLG00**
 VERSION **01**
 DRAWN BY
 DATE:
 OPTION



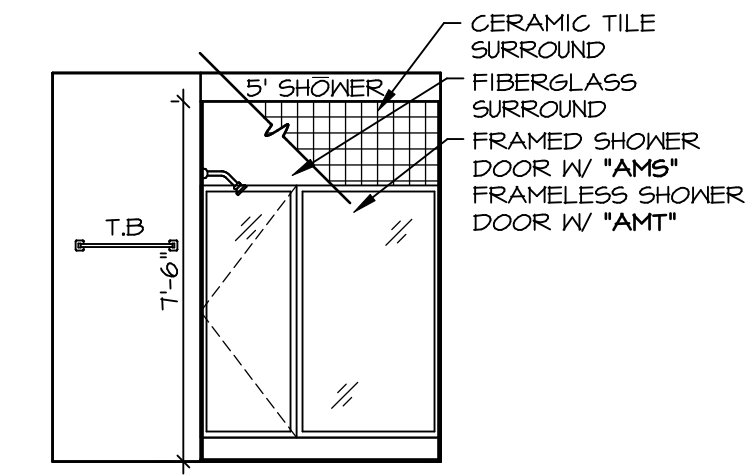
D BATH #1
SCALE: 1/4" = 1'-0"



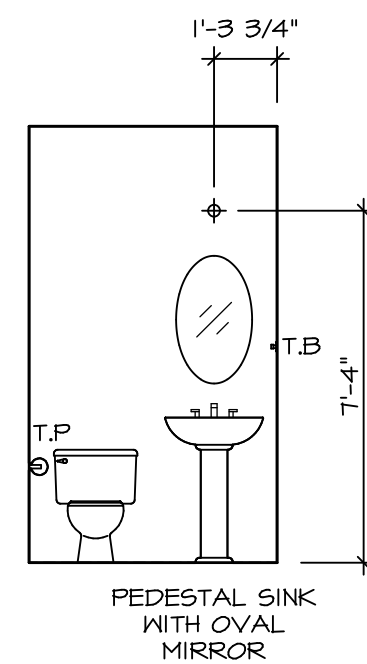
E BATH #1
SCALE: 1/4" = 1'-0"



F OWNER'S BATH
SCALE: 1/4" = 1'-0"



G OWNER'S BATH
SCALE: 1/4" = 1'-0"



C POWDER ROOM
SCALE: 1/4" = 1'-0"

NOTES:

- TEMPERED GLASS SHOWER ENCLOSURE WITH SWING DOOR OR OPTIONAL SLIDING DOOR BY DIVISION
- TUB ACCESS PANELS PROVIDED AS NEEDED, ALL MATERIALS BY DIVISION
- REFER TO SHEET IT-2 FOR TUB AND SHOWER DETAILS.
- ALL V5DB24-42 DRAWERS TO BE SET ON RIGHT HAND.
- ALL BATH ELEVATIONS ARE SHOWN PER PLAN.

SHEET NO. A-13	MODEL BALLENGER DRAWING TITLE BATH ELEVATIONS	SET NO. BL600 VERSION 01 DRAWN BY DATE: OPTION	DIV-COMM-LOT-UNIT DCY-CH-S543 COMM-LOT CARRIAGE TRAILS - S543 STREET ADDRESS 8126 WHITE ASH DRIVE CITY TIPP CITY STATE OH ZIP 45371
 <small>NVR, Inc. 5285 Westchester, Suite 100 Frederick, MD 21703</small>			<small>© NVR, Inc. expressly reserves the right to modify or change these plans at any time without notice. These plans are not to be reproduced, changed or altered in any way without the written consent of NVR, Inc.</small>