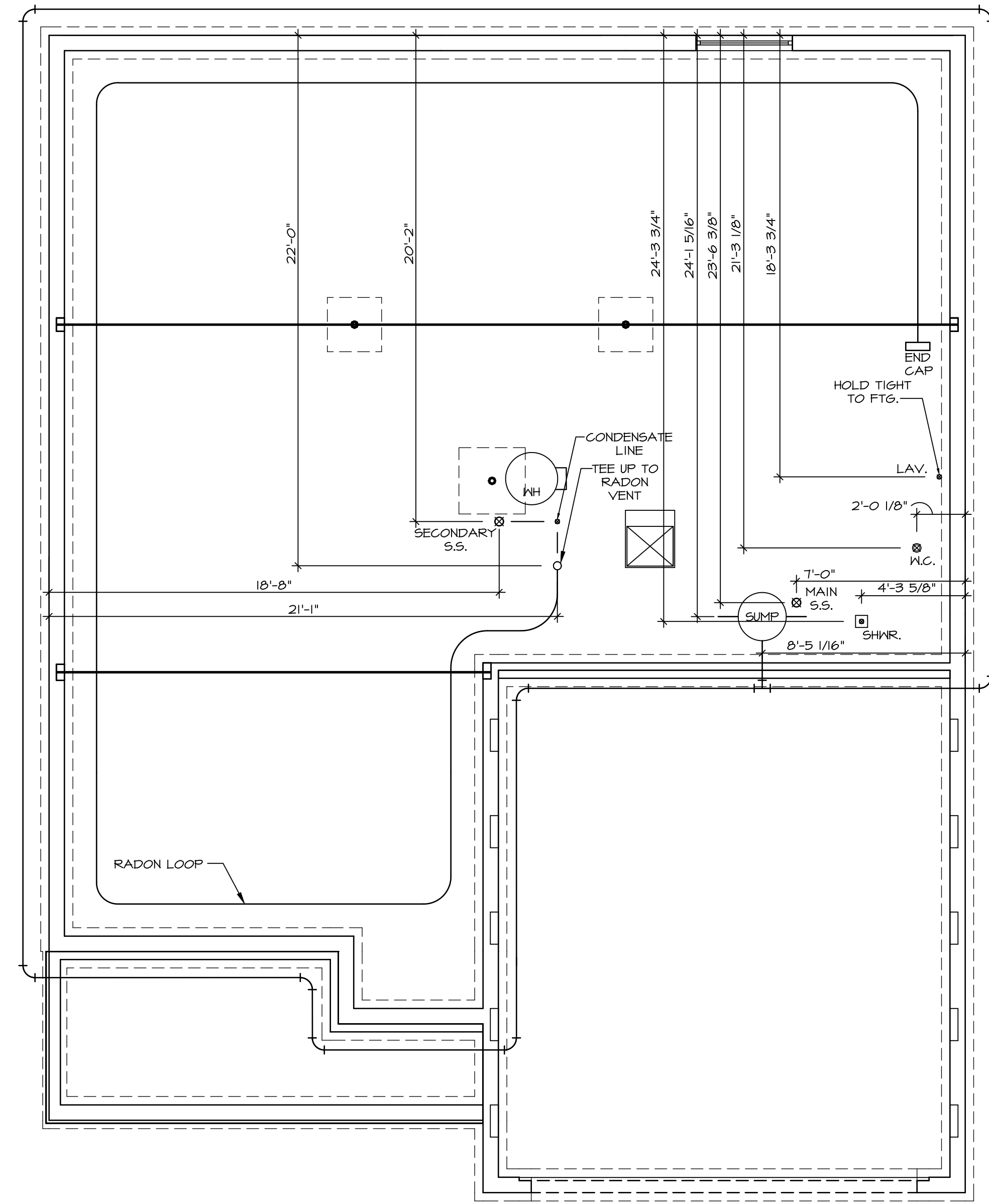


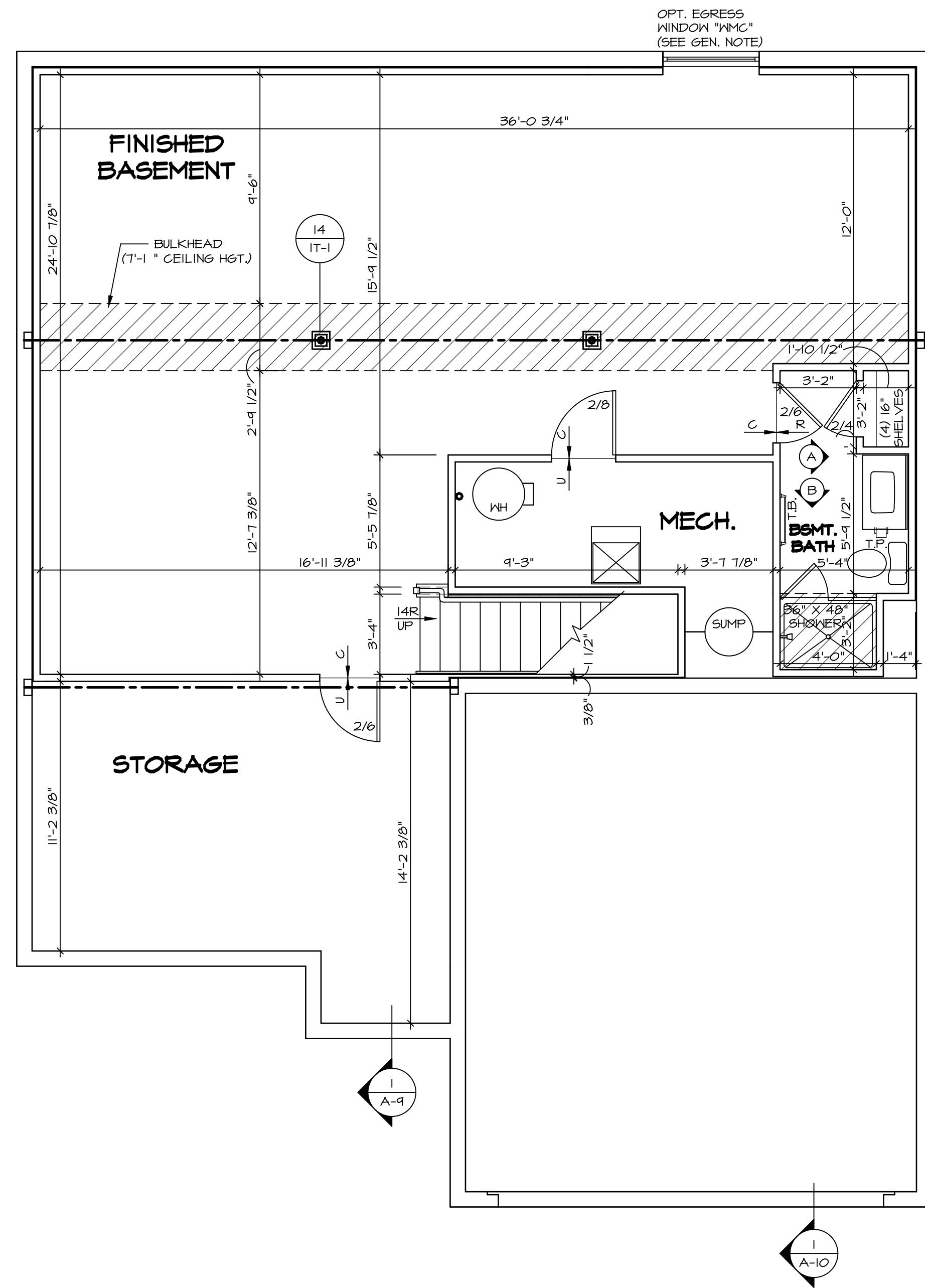
NOTE
 RADON REMEDIATION
 RADON LOOP
 - (4") PERFORATED HDPE "LOOP"
 - MUST BE PLACED IN STONE BED SLIGHTLY HIGHER THAN ANY INTERIOR DRAINTILE
 - LOOP TO BE SEPARATE FROM ANY DRAINTILE ELEMENTS
 - TO BE CORRUGATED HDPE PIPE
 - SCREWS TO BE INSTALLED THROUGH LOOP AT TEE UP INTO STACK
 STACK REQUIREMENTS:
 - 3" PVC STACK (4" IF BASEMENT IS GREATER THAN 2200 SQFT.)
 - NO PART OF STACK IS TO BE HORIZONTAL
 - PIPE TO BE PHYSICALLY LABELED IN THE FIELD AS "RADON VENT" OR OTHER JURISDICTIONALLY REQUIRED LANGUAGE (ON EVERY LEVEL OF HOUSE)
 - ROOF TERMINATION TO BE IN TOP 1/3 OF ROOF
 - SCREEN INSTALLED TO KEEP PESTS OUT OF RADON VENT AT ROOF TERMINATION



PLUMBING PLAN
 SCALE: 1/4" = 1'-0"

SHEET NO. A-5	MODEL HUDSON	SET NO. HUD00	OPTION DESCRIPTION 28
	DRAWING TITLE PLUMBING PLAN	VERSION 01	
DATE:		OPTION	
NVR, Inc. 5285 Walkersville Rd., Suite 100 Frederick, MD 21703		© NVR, Inc. expressly reserves the right to modify or amend these plans without notice. These plans are not to be reproduced, changed or altered in any way without the written consent of NVR, Inc.	
DIV-COMM-LOT-UNIT DCY-CH-S565		COMM-LOT CARRIAGE TRAILS - S565	
STREET ADDRESS 5188 WHITE ASH DRIVE		APT. NO. ----	STATE OH
CITY TIPP CITY	ZIP 45371		

C:\NVR\Solves\HUDSON_HUDD00_01\DCY-CH-S565\2176158\Sheet\Lot_Specific\28_A-5_PLUMB_LS.dwg 12/15/20 - 2:41 am



BASEMENT FLOOR PLAN
SCALE: 1/4" = 1'-0"

LEGEND

	BEARING WALL
	NON BEARING WALL
	INDICATES BEARING FROM POINT-LOAD ABOVE
	JACKS
	BEAM/HEADER
	PAD FOOTING
	STEEL COLUMN
	PORTAL FRAME
	JOIST/TRUSS
	LVL
	ENGINEERING PAGE NUMBER

SEE FC DETAILS FOR FRAMING CONNECTORS

- FLOOR PLAN NOTES**
- ALL HEADERS ARE (2) 2x6 w/ 2x4 WALLS OR (3) 2x6 w/ 2x6 WALLS, UNLESS OTHERWISE NOTED.
 - ALL HEADERS TO HAVE (1) 2x4 OR 2x6 JACK AND KING STUD EACH END, UNLESS OTHERWISE NOTED.
 - ALL EXTERIOR WALLS TO BE 4" w/ OSB OR 3 1/2" w/ LAMINATED FIBROUS STRUCTURAL SHEATHING, ALL INTERIOR WALLS TO BE 3 1/2", UNLESS OTHERWISE NOTED.
 - HATCHED AREAS INDICATE DROPPED CEILING. ALL DROPPED CEILING ARE 12" UNLESS OTHERWISE NOTED.
 - SEE 'BRACED WALL PANEL DETAIL SHEET' FOR SPECIAL WALL FRAMING LOCATIONS AND HEADER SIZES, IF APPLICABLE.
 - SEE STANDARD DETAIL CATEGORY '11' SHEET(S) FOR INTERIOR TRIM DETAILS.
 - SEE ARCHITECTURAL DETAIL SHEET 'AD' FOR HOUSE SPECIFIC INTERIOR TRIM OPTION TABLE.
 - ALL WINDOWS HAVE 1'-0 1/2" HEADER HEIGHT UNLESS OTHERWISE NOTED.
 - ALL HEADERS IN NON-BEARING WALLS SHALL BE A SINGLE FLAT 2x4 OR 2x6 ATTACHED TO CRIPPLES ABOVE, UNLESS OTHERWISE NOTED.
 - TANKED WATER HEATER SHOWN AS BASE CONDITION, OPTIONAL TANKLESS WATER HEATER IS AVAILABLE IN LIEU OF TANKED WATER HEATER.

- GYPSUM NOTES**
- AT GARAGE:**
GYPSUM BOARD AT COMMON WALLS, CEILING, BEAM WRAPS AND SUPPORTS PER STANDARD DETAIL FA-1(b) FIRE ASSEMBLIES OR AS REQUIRED BY LOCAL CODE.
- AT STAIRS:**
1/2" GYPSUM BOARD AT UNDERSIDE OF STAIRS AND WALLS IN CLOSET

SHEET NO. A-6	MODEL HUDSON	DRAWING TITLE BASEMENT FLOOR PLAN	SET NO. HUD00	VERSION 01
			DRAWN BY SKB	DATE:
31	OPTION DESCRIPTION	OPTION	DRAWING NO. 100	
			DATE:	

© NVR, Inc. expressly reserves the right to modify or change these plans without notice. No part of these plans may be reproduced, stored in a retrieval system, or transmitted in any form or by any means, electronic, mechanical, photocopying, recording, or by any information storage and retrieval system, without the prior written consent of NVR, Inc.

NVR
NVR, Inc. Suite 100
Frederick, MD 21703
5285 Walkersville Road

DIV-COMM-LOT-UNIT
DCY-CH-S565

COMM-LOT
CARRIAGE TRAILS - S565

STREET ADDRESS
8188 WHITE ASH DRIVE

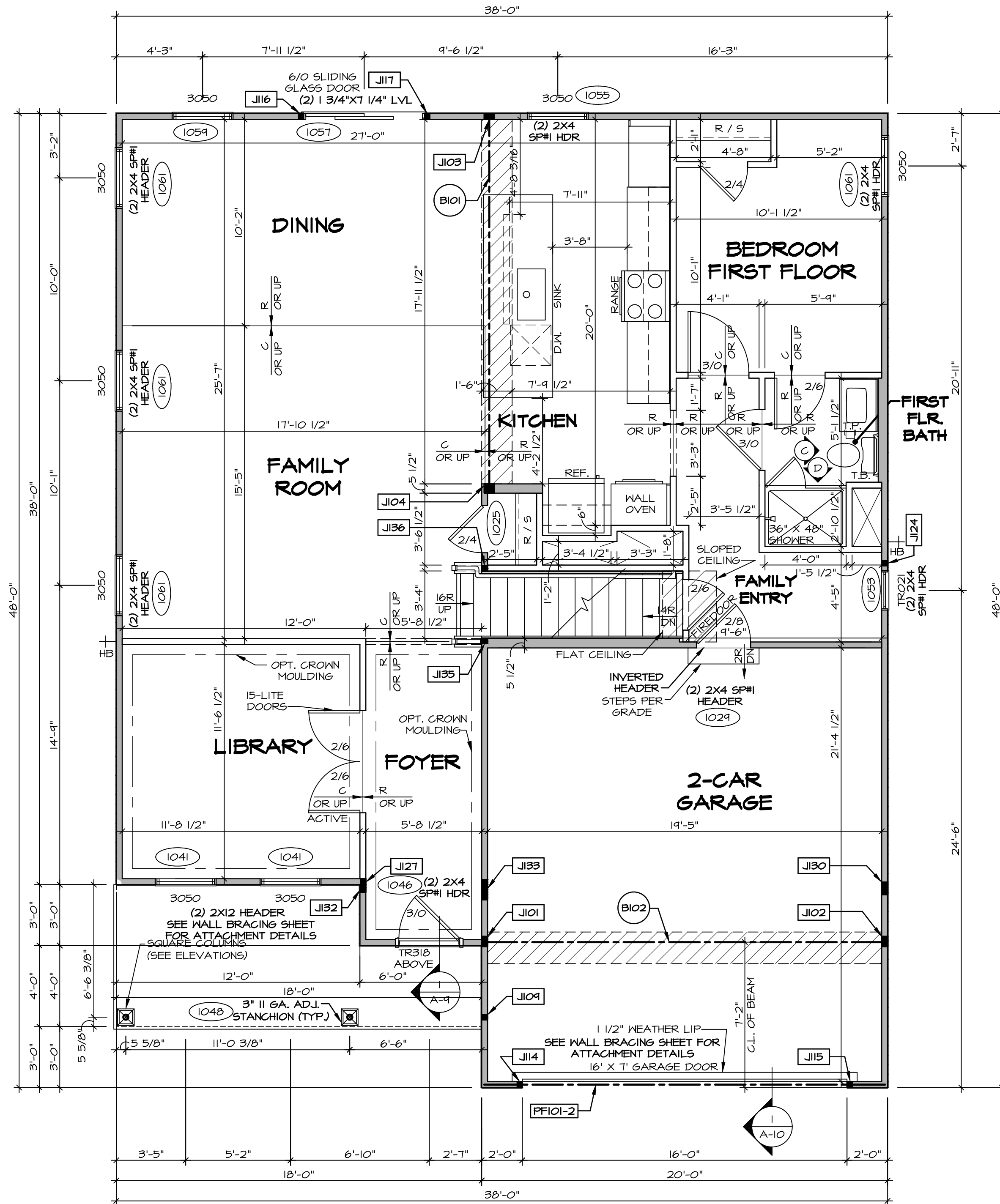
CITY
TIFF CITY

STATE
OH

ZIP
45971

APT. NO. -----

C:\NVR\Solves\HUDSON_HUDDO_01\DCY-CH-S565\2176158\Sheet\Lot_Specific\31_A-6_BSMT_LS.dwg 17/15/20 - 2:41 am



FIRST FLOOR PLAN
SCALE: 1/4" = 1'-0"

FLOOR PLAN NOTES

- ALL HEADERS ARE (2) 2x6 w/ 2x4 WALLS OR (3) 2x6 w/ 2x6 WALLS, UNLESS OTHERWISE NOTED.
- ALL HEADERS TO HAVE (1) 2x4 OR 2x6 JACK AND KING STUD EACH END, UNLESS OTHERWISE NOTED.
- ALL EXTERIOR WALLS TO BE 4" w/ OSB OR 3 1/2" w/ LAMINATED FIBROUS STRUCTURAL SHEATHING; ALL INTERIOR WALLS TO BE 3 1/2", UNLESS OTHERWISE NOTED.
- HATCHED AREAS INDICATE DROPPED CEILINGS, ALL DROPPED CEILINGS ARE 12" UNLESS OTHERWISE NOTED.
- SEE "BRACED WALL PANEL DETAIL SHEET" FOR SPECIAL WALL FRAMING LOCATIONS AND HEADER SIZES, IF APPLICABLE.
- SEE STANDARD DETAIL CATEGORY "IT" SHEET(S) FOR INTERIOR TRIM DETAILS.
- SEE ARCHITECTURAL DETAIL SHEET "AD" FOR HOUSE SPECIFIC INTERIOR TRIM OPTION TABLE.
- ALL WINDOWS HAVE 7'-0" 1/2" HEADER HEIGHT UNLESS OTHERWISE NOTED.
- ALL HEADERS IN NON-BEARING WALLS SHALL BE A SINGLE FLAT 2x4 OR 2x6 ATTACHED TO CRIPPLES ABOVE, UNLESS OTHERWISE NOTED.
- TANKED WATER HEATER SHOWN AS BASE CONDITION, OPTIONAL TANKLESS WATER HEATER IS AVAILABLE IN LIEU OF TANKED WATER HEATER.

GYPSUM NOTES

- AT GARAGE:**
GYPSUM BOARD AT COMMON WALLS, CEILING, BEAM WRAPS AND SUPPORTS PER STANDARD DETAIL FA-10) FIRE ASSEMBLIES OR AS REQUIRED BY LOCAL CODE.
- AT STAIRS:**
1/2" GYPSUM BOARD AT UNDERSIDE OF STAIRS AND WALLS IN CLOSET

LEGEND

- BEARING WALL
 - NON BEARING WALL
 - INDICATES BEARING FROM POINT-LOAD ABOVE
 - JACKS
 - BEAM/HEADER
 - PAD FOOTING
 - STEEL COLUMN
 - PORTAL FRAME
 - JOIST/TRUSS
 - LVL
 - ENGINEERING PAGE NUMBER
- SEE FC DETAILS FOR FRAMING CONNECTORS

NOTE:
EXTERIOR WALLS DRAWN TO FRAMING WIDTH, EXTERIOR SHEATHING IS NOT INCLUDED IN WALL THICKNESS.

FIRST FLOOR JACK SCHEDULE

IDENTIFIER	DESCRIPTION	OPTIONS	ENG. NUM.	REMARKS
J101	JACK - (4) 2X4 SP#H		1031	
J102	JACK - (4) 2X4 SP#H	GCB, GCF	1031	
J103	JACK - (4) 2X4 SP#H		1027	
J104	JACK - (4) 2X6 SFF STUD GRADE		1027	
J104	JACK - (2) 2X4 SFF STUD GRADE		1048	
J114	JACK - (2) 2X4 SFF STUD GRADE	GCB, GCF	1050	
J115	JACK - (2) 2X4 SFF STUD GRADE	GCB, GCF	1050	
J116	JACK - (2) 2X4 SFF STUD GRADE		1051	
J117	JACK - (2) 2X4 SFF STUD GRADE		1051	
J124	JACK - (2) 2X4 SFF STUD GRADE	GCB, GCG	1010	
J127	JACK - (2) 2X4 SFF STUD GRADE	ELC	1012	
J130	JACK - (5) 2X4 SP#H	GCB, GCF	1034, 2000	
J132	JACK - (3) 2X4 SFF STUD GRADE	ELB, ELC	1012	
J133	JACK - (8) 2X4 SP#H	ELC	1012, 2000	
J135	JACK - (2) 2X4 SFF STUD GRADE		1023	
J136	JACK - (2) 2X4 SFF STUD GRADE		1023	

LVL PLY TO PLY FASTENING SCHEDULE: (WHERE APPLICABLE BASED ON LVL USAGE)

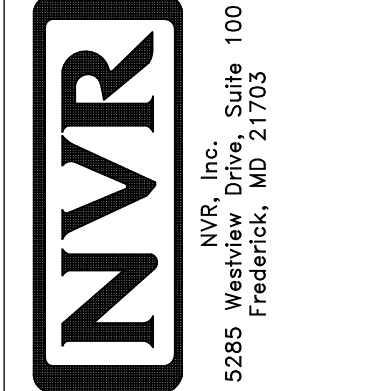
- 1.A - (2) PLY UP TO AND INCLUDING 11 7/8" TALL; FASTEN PLYS W/ (2) ROWS 16D NAILS AT 12" O.C. OR ALT 1 1/2" WIDE LVL FASTEN PLYS W/ (3) ROWS 12D NAILS AT 12" O.C.
- 2.A - (2) PLY 14" TO AND 18" TALL (INCLUSIVE); FASTEN PLYS W/ (3) ROWS 16D NAILS AT 12" O.C. OR ALT 1 1/2" WIDE LVL FASTEN PLYS W/ (4) ROWS 12D NAILS AT 12" O.C.
- 3.A - (2) PLY 20" TALL AND OVER; FASTEN PLYS W/ (4) ROWS 16D NAILS AT 12" O.C. OR ALT 1 1/2" WIDE LVL FASTEN PLYS W/ (5) ROWS 12D NAILS AT 12" O.C.
- 4.A - (3) PLY UP TO AND INCLUDING 11 7/8" TALL; FASTEN PLYS W/ (2) ROWS 16D NAILS AT 12" O.C. FROM EACH SIDE OR ALT 1 1/2" WIDE LVL FASTEN PLYS W/ (3) ROWS 12D NAILS AT 12" O.C. FROM EACH SIDE.
- 5.A - (3) PLY 14" TO AND 18" TALL (INCLUSIVE); FASTEN PLYS W/ (3) ROWS 16D NAILS AT 12" O.C. FROM EACH SIDE OR ALT 1 1/2" WIDE LVL FASTEN PLYS W/ (4) ROWS 12D NAILS AT 12" O.C. FROM EACH SIDE.
- 6.A - (3) PLY 20" TALL AND OVER; FASTEN PLYS W/ (4) ROWS 16D NAILS AT 12" O.C. FROM EACH SIDE OR ALT 1 1/2" WIDE LVL FASTEN PLYS W/ (5) ROWS 12D NAILS AT 12" O.C. FROM EACH SIDE.
- 7.A - (4) PLY (ALL SIZES); FASTEN PLYS W/ (2) ROWS 1/2" DIAMETER A307 BOLTS AT 24" O.C. SEE SHOP DRAWING FOR ADDITIONAL INFORMATION.

FIELD INSTALLED FIRST FLOOR BEAM/HEADER SCHEDULE

IDENTIFIER	DESCRIPTION	LENGTH	OPTIONS	ENG. NUM.	REMARKS
B101	BEAM STEEL - W10X26	18'-8"		1021	
B102	BEAM STEEL - W12X14	14'-11 3/8"	SXC	1031	
PFI01-2	LVL 1.75 - 11-04	14'-9"	GCB, GCF	1050	PORTAL FRAME 1A

DCY-CH-S565
CARRIAGE TRAILS - S565
STREET ADDRESS
BIBB WHITE ASH DRIVE
CITY
TIPP CITY
STATE
OH
ZIP
45371

NVR, Inc. expressly reserves the right to modify or change the information contained in these plans without notice. These plans are not to be reproduced, changed or altered in any way without the written consent of NVR, Inc.



SET NO. HUDCO
VERSION 01
DRAWN BY SKB
DATE:
OPTION

MODEL
HUDSON
DRAWING TITLE
FIRST FLOOR PLAN
OPTION DESCRIPTION

SHEET NO.
A-7
33

NOTE:
EXTERIOR WALLS DRAWN TO FRAMING WIDTH, EXTERIOR SHEATHING IS NOT INCLUDED IN WALL THICKNESS.

LEGEND

	BEARING WALL
	NON BEARING WALL
	INDICATES BEARING FROM POINT-LOAD ABOVE
	JACKS
	BEAM/HEADER
	PAD FOOTING
	STEEL COLUMN
	PORTAL FRAME
	JOIST/TRUSS
	LVL
	ENGINEERING PAGE NUMBER

SEE FC DETAILS FOR FRAMING CONNECTORS

FLOOR PLAN NOTES

- ALL HEADERS ARE (2) 2x6 W/ 2x4 WALLS OR (3) 2x6 W/ 2x6 WALLS, UNLESS OTHERWISE NOTED.
- ALL HEADERS TO HAVE (1) 2x4 OR 2x6 JACK AND KING STUD EACH END, UNLESS OTHERWISE NOTED.
- ALL EXTERIOR WALLS TO BE 4" W/ OSB OR 3 1/2" W/ LAMINATED FIBROUS STRUCTURAL SHEATHING, ALL INTERIOR WALLS TO BE 3 1/2", UNLESS OTHERWISE NOTED.
- HATCHED AREAS INDICATE DROPPED CEILINGS. ALL DROPPED CEILINGS ARE 12" UNLESS OTHERWISE NOTED.
- SEE "BRACED WALL PANEL DETAIL SHEET" FOR SPECIAL WALL FRAMING LOCATIONS AND HEADER SIZES, IF APPLICABLE.
- SEE STANDARD DETAIL CATEGORY "11" SHEET(S) FOR INTERIOR TRIM DETAILS.
- SEE ARCHITECTURAL DETAIL SHEET "AD" FOR HOUSE SPECIFIC INTERIOR TRIM OPTION TABLE.
- ALL WINDOWS HAVE 7'-0 1/2" HEADER HEIGHT UNLESS OTHERWISE NOTED.
- ALL HEADERS IN NON-BEARING WALLS SHALL BE A SINGLE FLAT 2x4 OR 2x6 ATTACHED TO CRIPPLES ABOVE, UNLESS OTHERWISE NOTED.
- TANKED WATER HEATER SHOWN AS BASE CONDITION, OPTIONAL TANKLESS WATER HEATER IS AVAILABLE IN LIEU OF TANKED WATER HEATER.

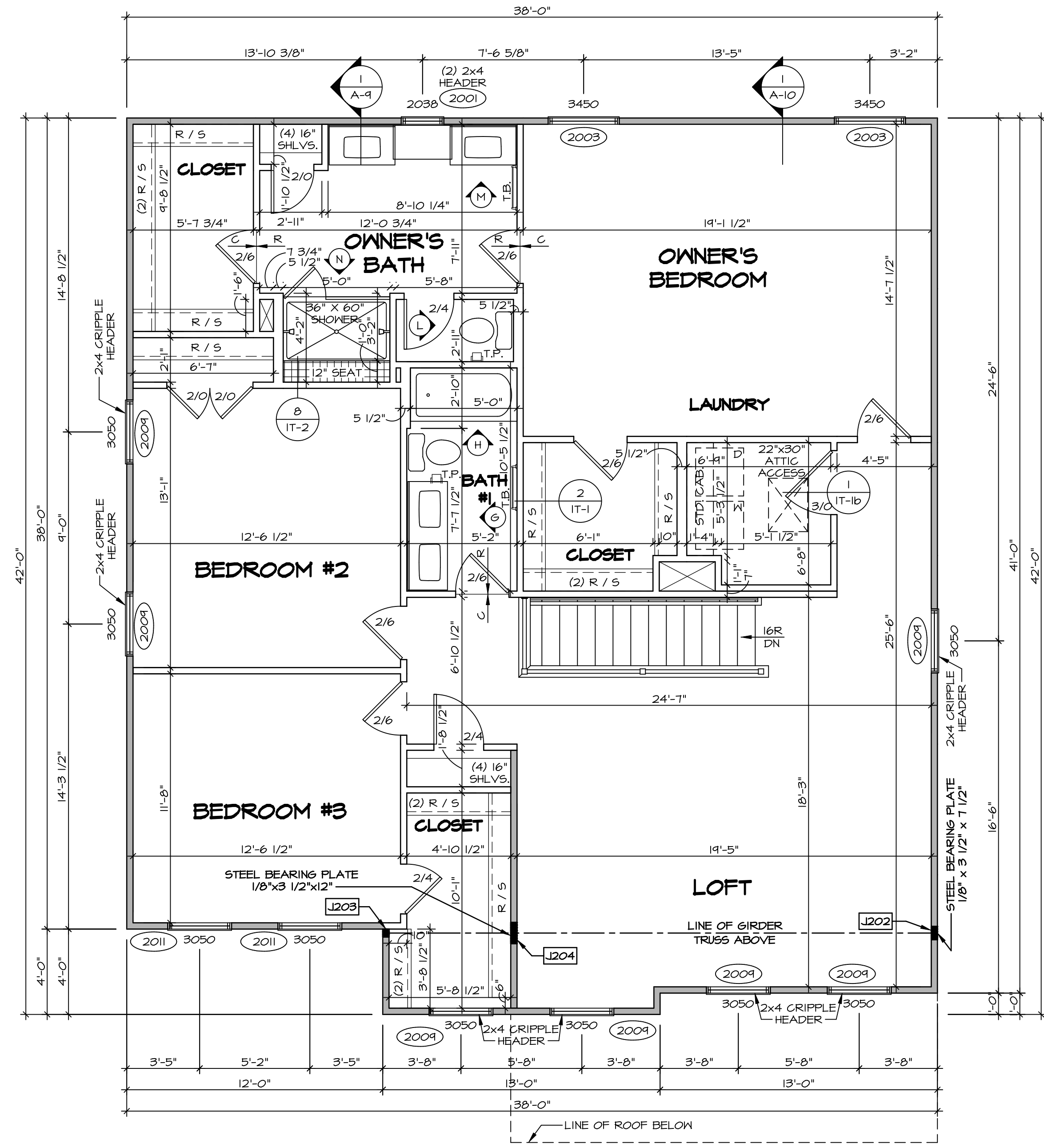
GYPSTUM NOTES

AT GARAGE:
GYPSUM BOARD AT COMMON WALLS, CEILING, BEAM WRAPS AND SUPPORTS PER STANDARD DETAIL FA-1(b) FIRE ASSEMBLIES OR AS REQUIRED BY LOCAL CODE.

AT STAIRS:
1/2" GYPSUM BOARD AT UNDERSIDE OF STAIRS AND WALLS IN CLOSET

SECOND FLOOR JACK SCHEDULE

IDENTIFIER	DESCRIPTION	OPTIONS	ENG. NUM.	REMARKS
J202	JACK - (5) 2X4 SPM		2000	EXTEND THROUGH TOP PLATE W/ STEEL BEARING PLATE 1/8" x 3 1/2" x 7 1/2"
J203	JACK - (3) 2X4 SFF STUD GRADE	ELB, ELC, ELL	2000	
J204	JACK - (8) 2X4 SPM	ELB, ELC, ELL	2000	EXTEND THROUGH TOP PLATE W/ STEEL BEARING PLATE 1/8" x 3 1/2" x 12"



SECOND FLOOR PLAN
SCALE: 1/4" = 1'-0"

DCY-CH-S565

COMMITTEE: DCY-CH-S565
CARRIAGE TRAILS - S565

STREET ADDRESS: 8188 WHITE ASH DRIVE
CITY: TIPP CITY
STATE: OH
ZIP: 45371

APRT. NO.:
A-8

SET NO. HUDSON
VERSION 01
DRAWN BY: SKB
DATE:
OPTION

MODEL: HUDSON
DRAWING TITLE: SECOND FLOOR PLAN
OPTION DESCRIPTION

SHEET NO. A-8

38

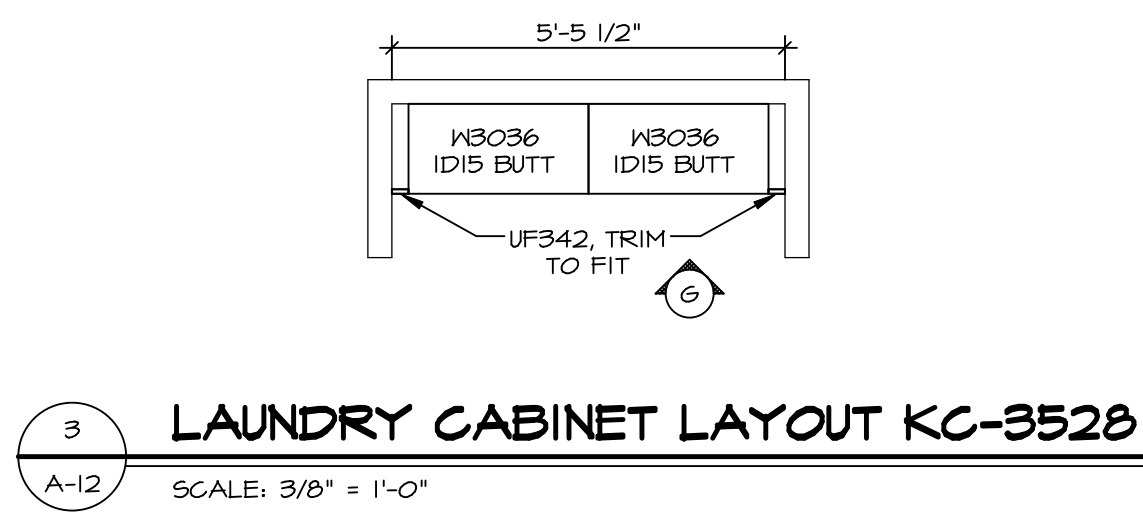
© NVR, Inc. expressly reserves the right to modify these plans without notice. These plans are not to be reproduced, changed, or altered in any way without the written consent of NVR, Inc.

NVR
NVR, Inc. Suite 100
5285 Washington Blvd.
Frederick, MD 21703

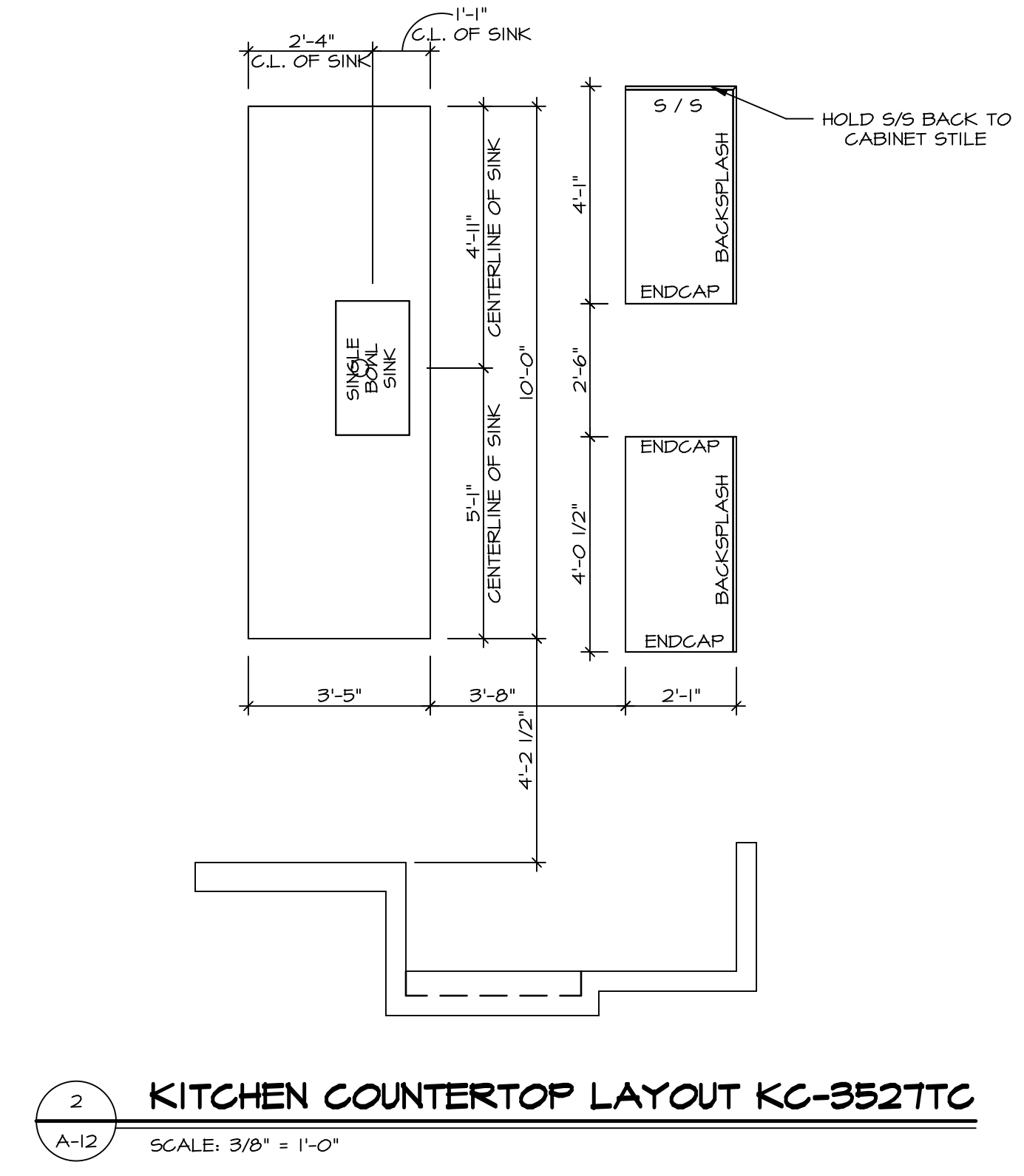
C:\NVR\Solves\HUDSON_HUDDO_01\DCY-CH-S565\2176158\Sheet\Lot_Specific\38_A-8_Plan_L5.dwg 17/15/20 - 2:41 am

KITCHEN NOTES

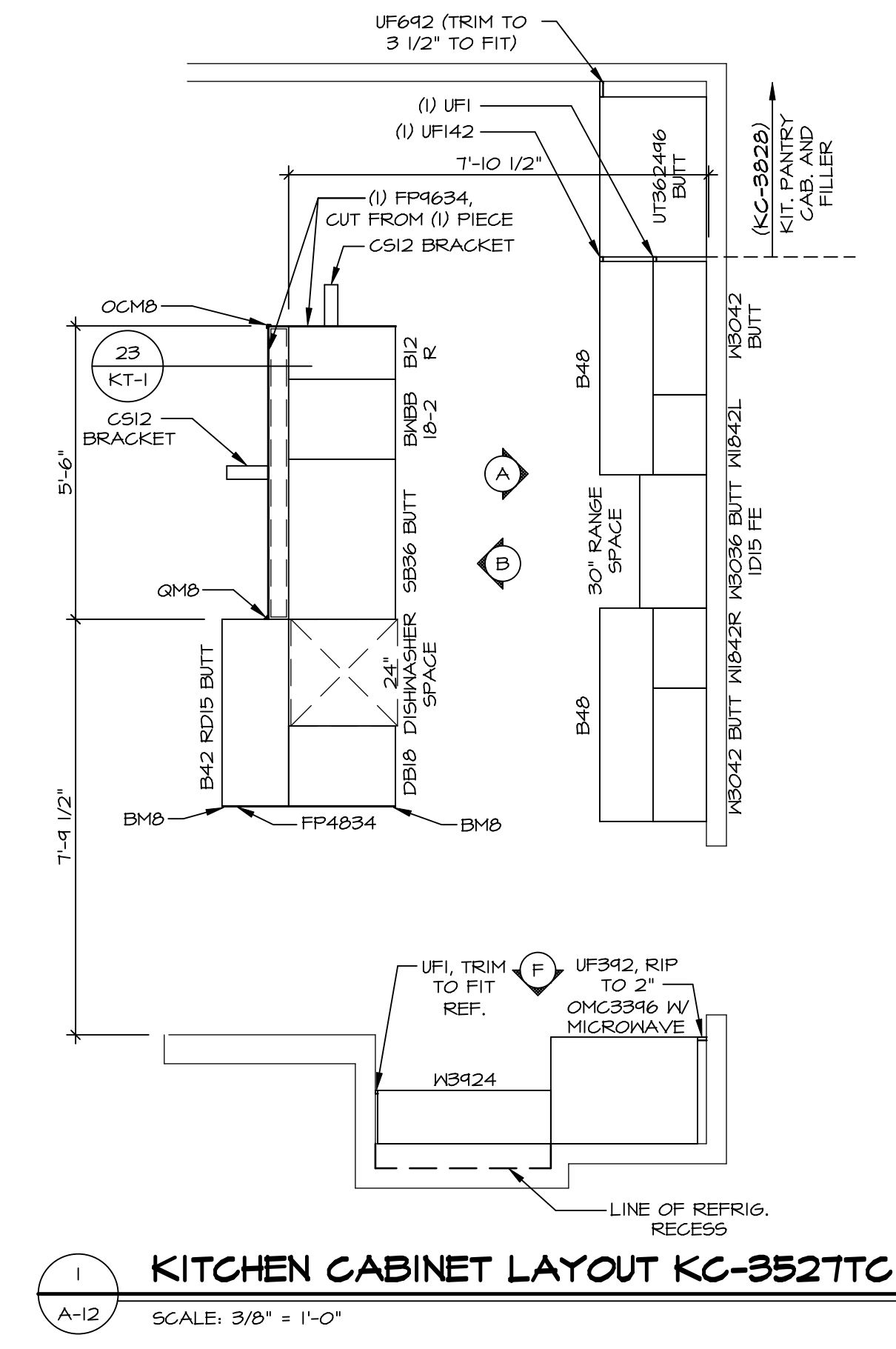
- NOTES:**
- CABINET LAYOUT (S) ARE BASED ON FINISHED DIMENSIONS TO DRYWALL.
 - IF KITCHEN PLANS/ELEVATIONS CALL-OUT STANDARD MOLDING, REFER TO STANDARD DETAIL (KCT-1) FOR REPLACEMENT BASED ON CABINET STYLE.
 - ALL (UF#) FILLERS ARE TO BE "TRIM TO FIT" UNLESS OTHERWISE NOTED.
 - CABINET MUST BE SET, SHIMMED, LEVELED AND PLUMB W/ ADJOINING BASE CABINETS.
 - SET PRE-FINISHED SCRIBE MOLDING AT CABINET BULKHEADS AND AT ENDS (WHERE CABINETS MEET DRYWALL.) PRE-FINISHED SCRIBE MOLDING SHALL BE USED TO PAD OUT CABINET SIDES AT STILE FOR RETURN PIECES OF THE FACE-MOUNTED CABINET CROWN MOLDING.
 - HARDWARE INSTALL NOTE: KNOBS GO ON DOORS AND DRAWERS FOR ALL AREAS. ALL DRAWER FRONTS AND DOORS GET (1) KNOB/FULL. NO HARDWARE ON FALSE DRAWER FRONTS.



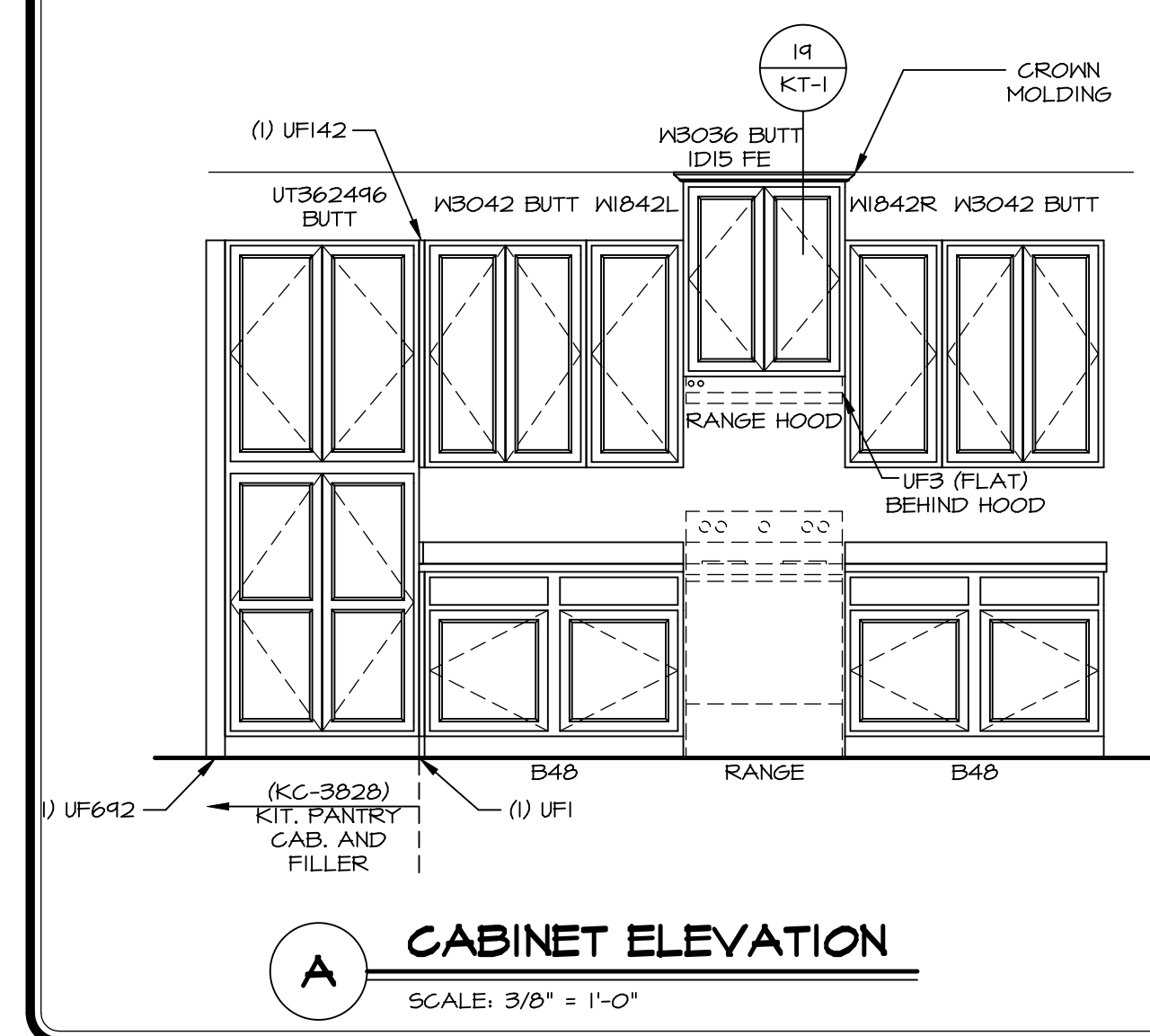
3 LAUNDRY CABINET LAYOUT KC-3528
SCALE: 3/8" = 1'-0"



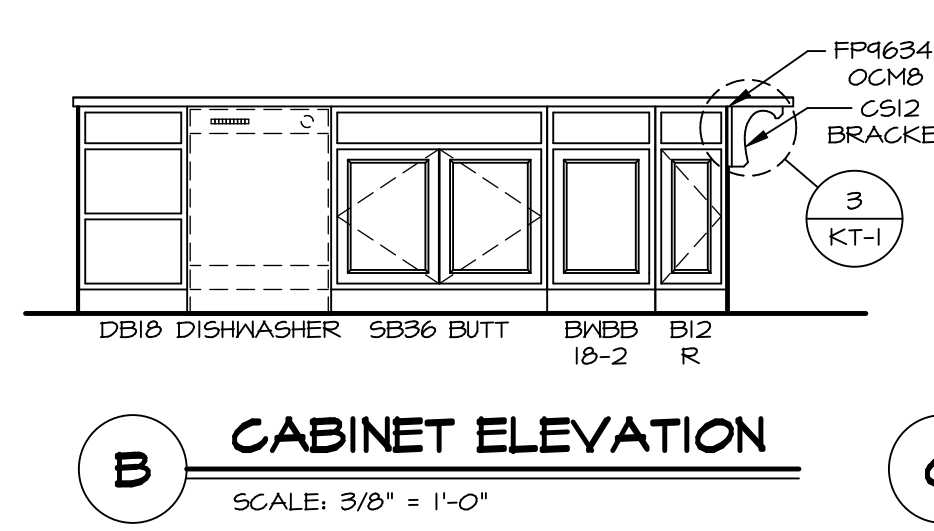
2 KITCHEN COUNTERTOP LAYOUT KC-352TTC
SCALE: 3/8" = 1'-0"



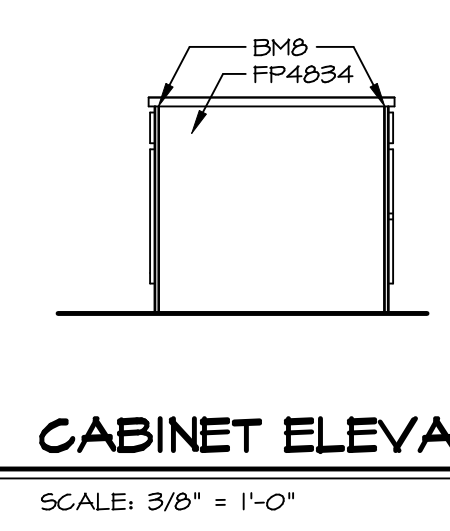
1 KITCHEN CABINET LAYOUT KC-352TTC
SCALE: 3/8" = 1'-0"



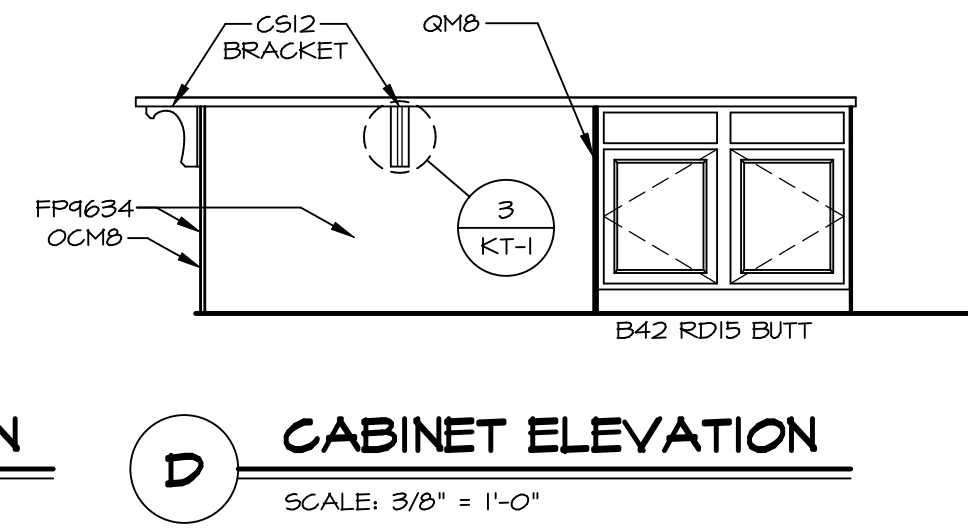
A CABINET ELEVATION
SCALE: 3/8" = 1'-0"



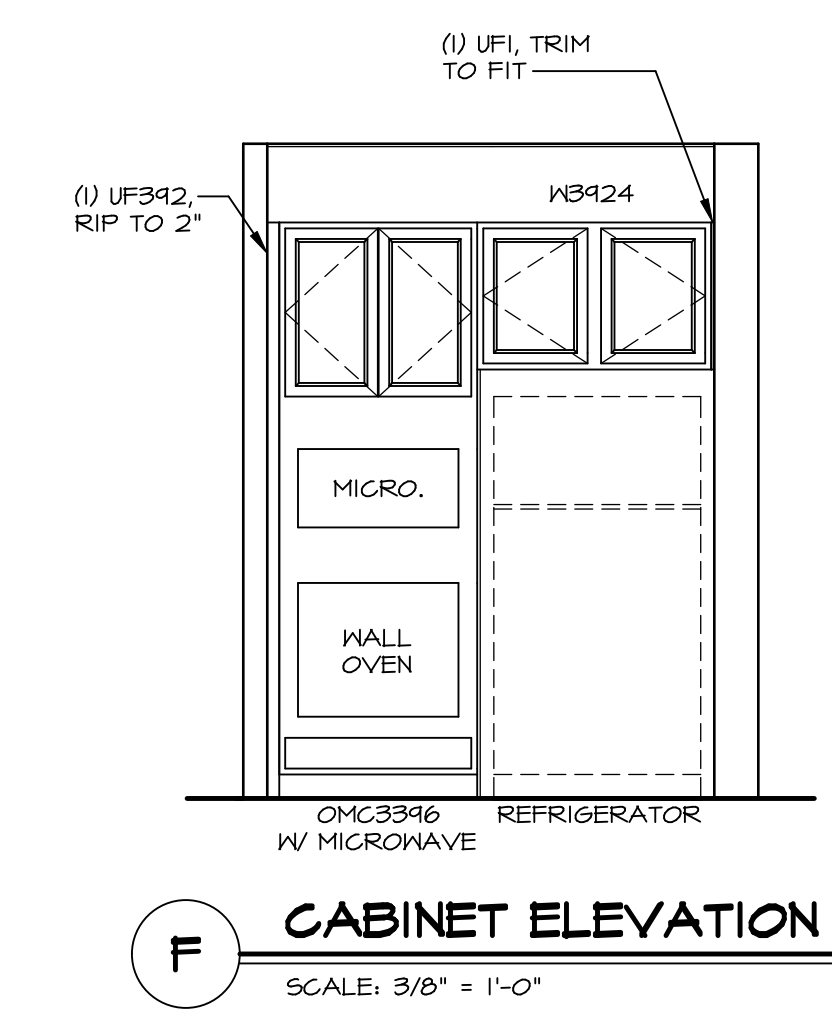
B CABINET ELEVATION
SCALE: 3/8" = 1'-0"



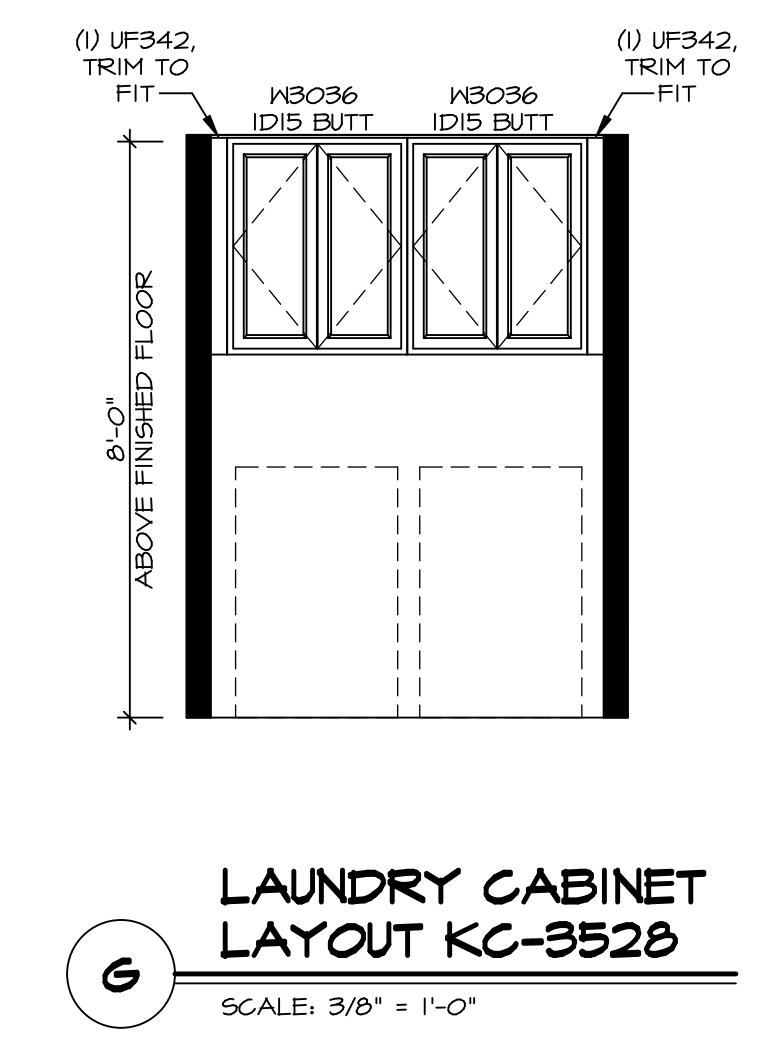
C CABINET ELEVATION
SCALE: 3/8" = 1'-0"



D CABINET ELEVATION
SCALE: 3/8" = 1'-0"



F CABINET ELEVATION
SCALE: 3/8" = 1'-0"



G LAUNDRY CABINET LAYOUT KC-3528
SCALE: 3/8" = 1'-0"

© NVR, Inc. expressly reserves the right to modify these plans without notice. These plans are not to be reproduced, changed or altered in any way without the written consent of NVR, Inc.

NVR
NVR, Inc., Suite 100
Frederick, MD 21703

SET NO. HUD00
VERSION 01
DRAWN BY SGA
DATE:
OPTION

MODEL
HUDSON
DRAWING TITLE
KITCHENS
OPTION DESCRIPTION

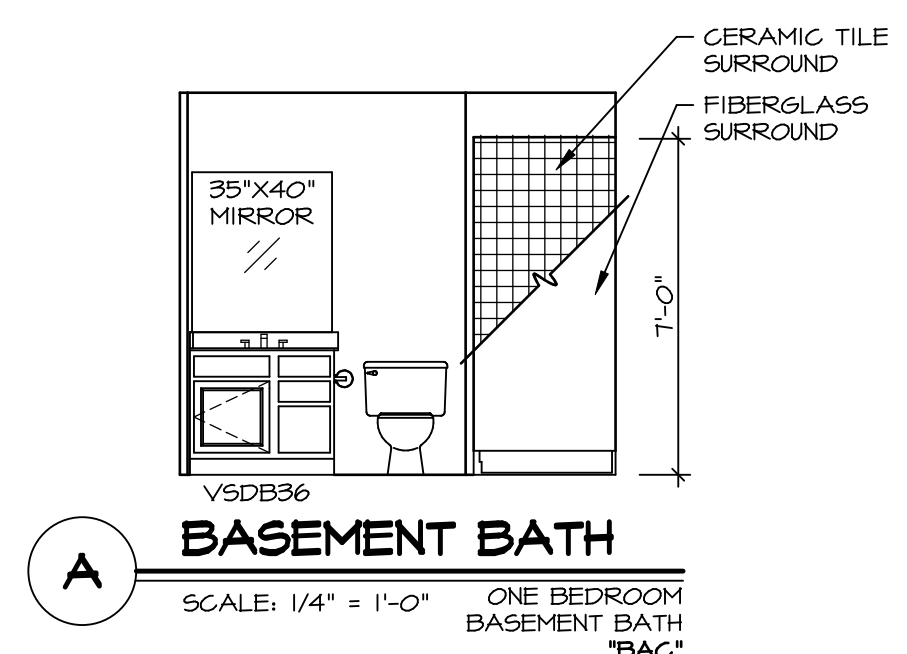
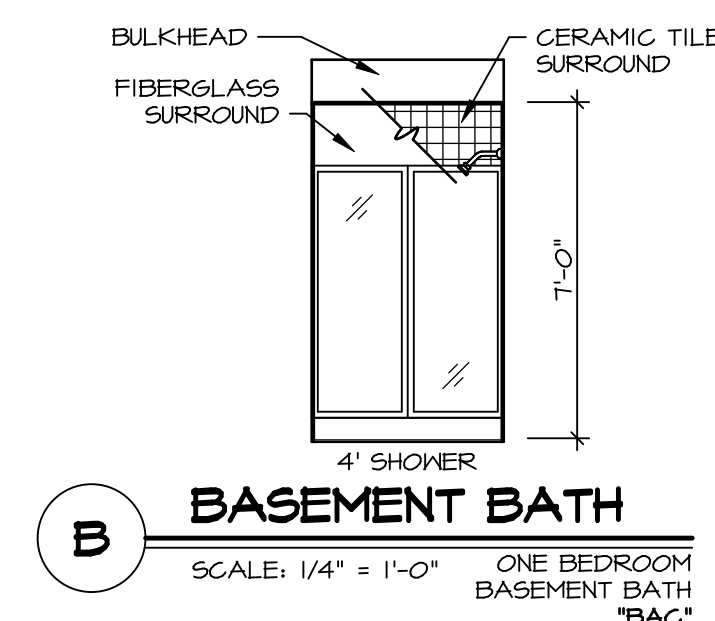
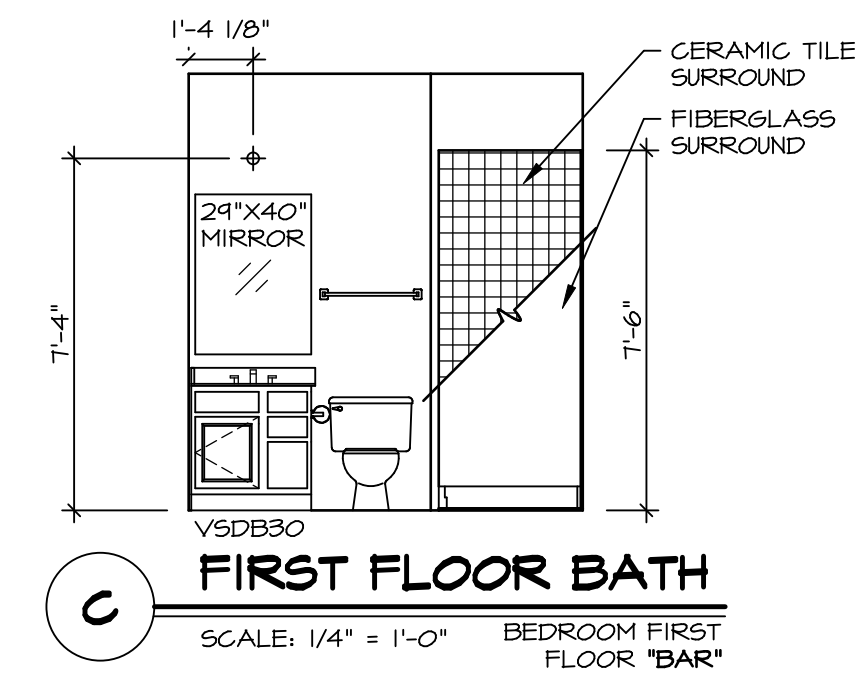
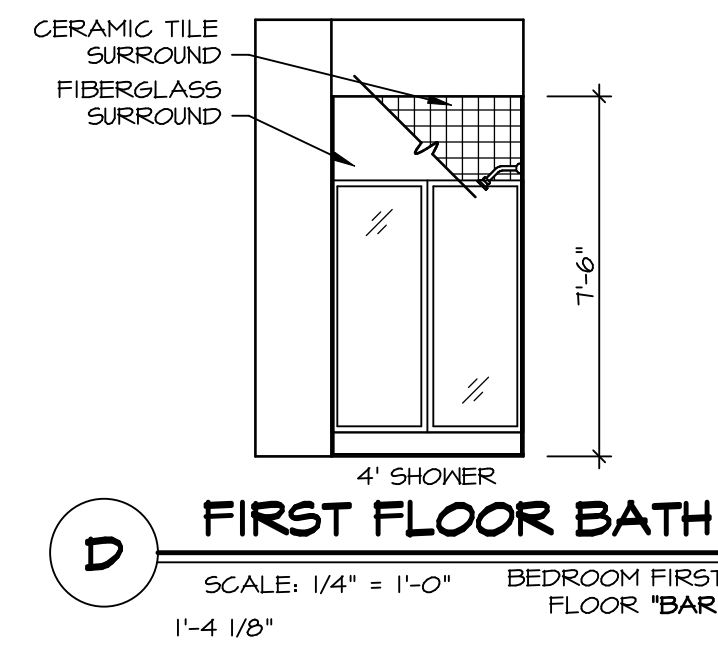
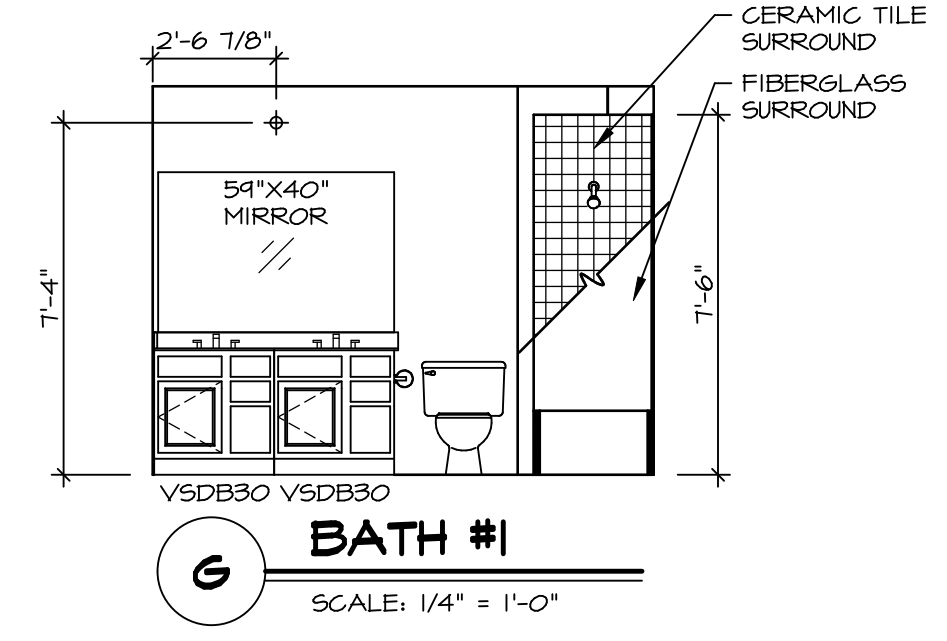
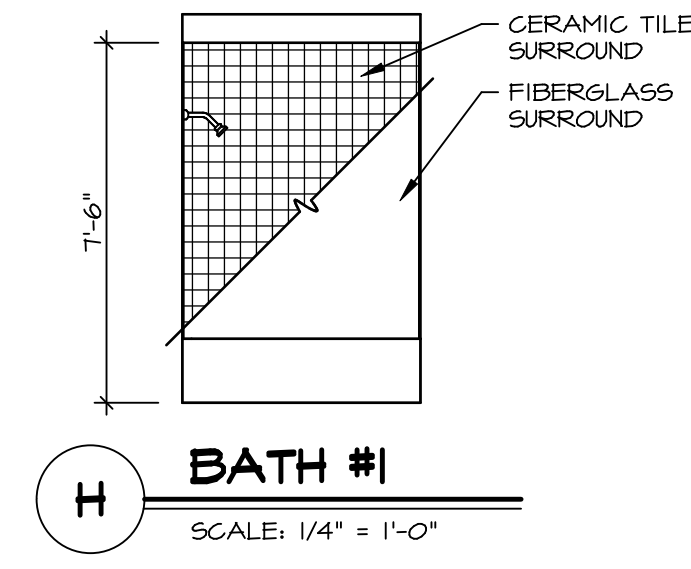
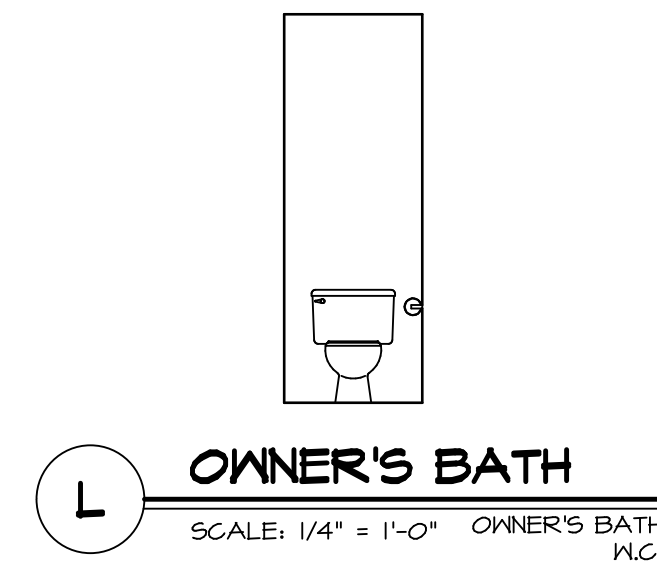
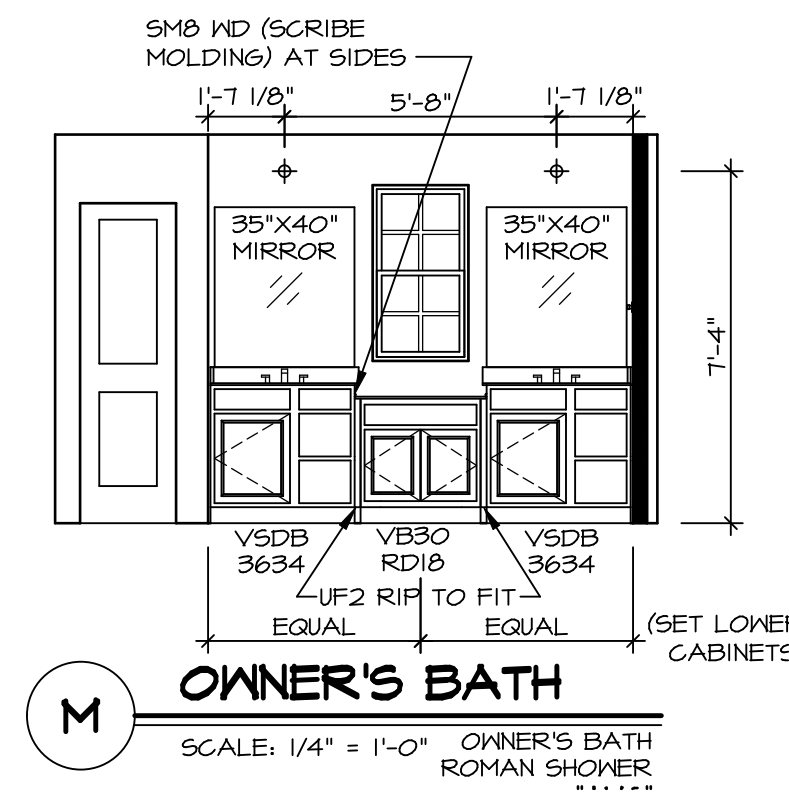
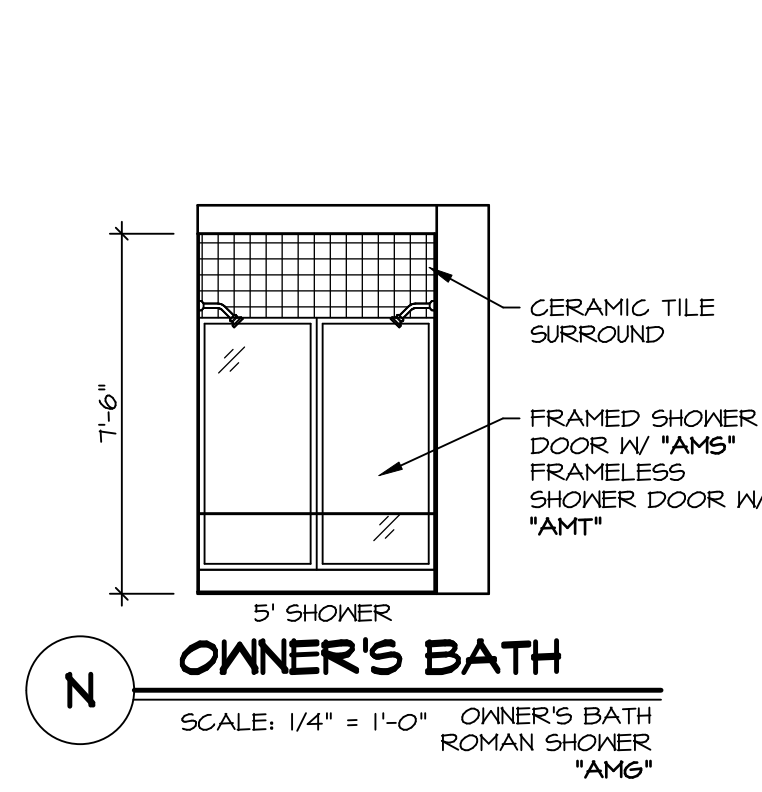
SHEET NO.
A-12
59

DIV-COMM-LOT-UNIT
DCY-CH-S565
COMM-LOT
CARRIAGE TRAILS - S565
STREET ADDRESS
5185 WHITE ASH DRIVE
CITY
TIFF CITY
STATE
OH
ZIP
45971

C:\NVR\Solves\HUDSON_HUD00_01\DCY-CH-S565\2176158\Sheet\Lot_Specific\B9_A-12_KIT_LS.dwg 12/15/20 - 2:41 am

NOTES:

1. TEMPERED GLASS SHOWER ENCLOSURE WITH SWING DOOR OR OPTIONAL SLIDING DOOR BY DIVISION
2. TUB ACCESS PANELS PROVIDED AS NEEDED, ALL MATERIALS BY DIVISION
3. REFER TO SHEET D-XX FOR TUB AND SHOWER DETAILS.
4. ALL VSDB24-42 DRAWERS TO BE SET ON RIGHT HAND.
5. ALL BATH ELEVATIONS ARE SHOWN PER PLAN.



SET NO. HUDCO
VERSION 01
DRAWN BY SKB
DATE:
OPTION

MODEL HUDSON
DRAWING TITLE BATH ELEVATIONS
SHEET NO. A-13
OPTION DESCRIPTION
60

© NVR, Inc. expressly reserves the right to modify or amend these plans at any time without notice. These plans are not to be reproduced, changed or altered in any way without the written consent of NVR, Inc.

NVR
NVR, Inc. Suite 100
5285 Washburne Rd.
Frederick, MD 21703

DIV-COMM-LOT-UNIT
DCY-CH-S565
COMM-LOT
CARRIAGE TRAILS - S565
STREET ADDRESS
BIBB WHITE ASH DRIVE
CITY TIPP CITY
STATE OH
ZIP 45971