

PLUMBING PLAN
SCALE: 1/4" = 1'-0"

NOTE
RADON REMEDIATION
RADON LOOP:
- (4") PERFORATED HDPE "LOOP"
- MUST BE PLACED IN STONE BED SLIGHTLY HIGHER THAN ANY INTERIOR DRAINTILE
- LOOP TO BE SEPARATE FROM ANY DRAINTILE ELEMENTS
- TO BE CORRUGATED HDPE PIPE
- SCREENS TO BE INSTALLED THROUGH LOOP AT TEE UP INTO STACK
STACK REQUIREMENTS:
- 3" PVC STACK (4" IF BASEMENT IS GREATER THAN 2200 SQFT.)
- NO PART OF STACK IS TO BE HORIZONTAL
- PIPE TO BE PHYSICALLY LABELED IN THE FIELD AS "RADON VENT" OR OTHER JURISDICTIONALLY REQUIRED LANGUAGE (ON EVERY LEVEL OF HOUSE)
- ROOF TERMINATION TO BE IN TOP 1/3 OF ROOF
- SCREEN INSTALLED TO KEEP PESTS OUT OF RADON VENT AT ROOF TERMINATION

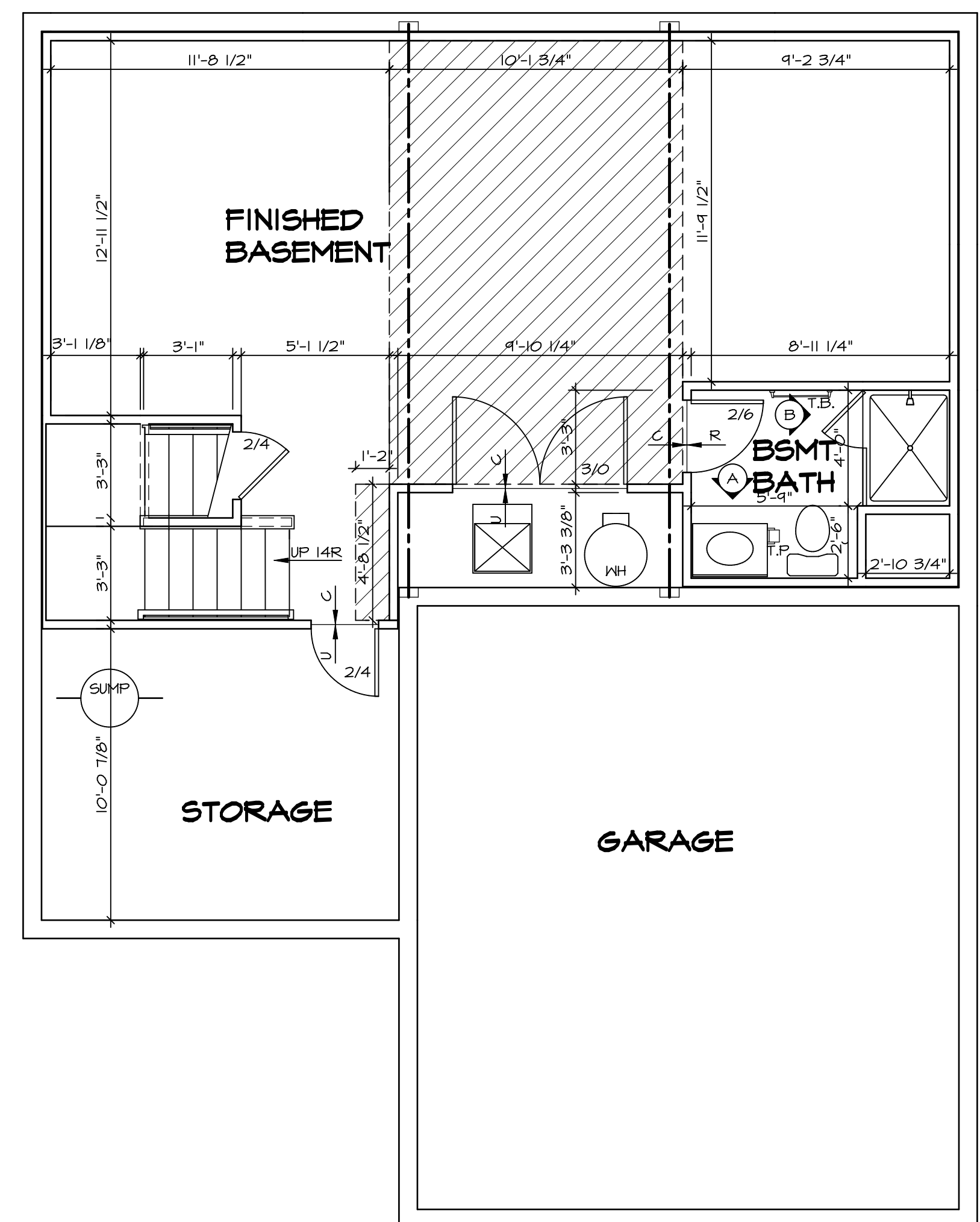
SHEET NO. A-5	MODEL ALLEGHENY	SET NO. AL600	OPTION 22
	DRAWING TITLE PLUMBING PLAN	VERSION 01	
DRAWN BY: TN		OPTION	
<p>© NVR, Inc. expressly reserves the right to modify or amend these plans at any time without notice. These plans are not to be reproduced, changed or altered in any way without the written consent of NVR, Inc.</p>			
<p>NVR NVR, Inc. Suite 100 Frederick, MD 21703</p>		<p>5285 Washburne Frederick, MD 21703</p>	
<p>DIV-COMM-LOT-UNIT DCY-CH-S587</p>		<p>COMM-LOT CARRIAGE TRAILS - S587</p>	
<p>STREET ADDRESS 5014 RED CEDAR DRIVE</p>		<p>APT. NO. ----</p>	
<p>CITY TIPP CITY</p>		<p>STATE OH</p>	
<p>ZIP 45371</p>			

LEGEND	
	BEARING WALL
	NON BEARING WALL
	INDICATES BEARING FROM POINT-LOAD ABOVE
	JACKS
	BEAM/HEADER
	PAD FOOTING
	STEEL COLUMN
	PORTAL FRAME
	JOIST/TRUSS
	LVL
	ENGINEERING PAGE NUMBER

SEE FC DETAILS FOR FRAMING CONNECTORS

- FLOOR PLAN NOTES**
- ALL HEADERS ARE (2) 2x6 w/ 2x4 WALLS OR (3) 2x6 w/ 2x6 WALLS, UNLESS OTHERWISE NOTED.
 - ALL HEADERS TO HAVE (1) 2x4 OR 2x6 JACK AND KING STUD EACH END, UNLESS OTHERWISE NOTED.
 - ALL EXTERIOR WALLS TO BE 4" w/ OSB OR 3 1/2" w/ T-PLY, ALL INTERIOR WALLS TO BE 3 1/2", UNLESS OTHERWISE NOTED.
 - HATCHED AREAS INDICATE DROPPED CEILINGS. ALL DROPPED CEILINGS ARE 12" UNLESS OTHERWISE NOTED.
 - SEE "BRACED WALL PANEL DETAIL SHEET" FOR SPECIAL WALL FRAMING LOCATIONS AND HEADER SIZES, IF APPLICABLE.
 - SEE STANDARD DETAIL CATEGORY "IT" SHEET(S) FOR INTERIOR TRIM DETAILS.
 - SEE ARCHITECTURAL DETAIL SHEET "AD" FOR HOUSE SPECIFIC INTERIOR TRIM OPTION TABLE.
 - ALL WINDOWS HAVE "T-O 1/2" HEADER HEIGHT UNLESS OTHERWISE NOTED.
 - ALL HEADERS IN NON-BEARING WALLS SHALL BE A SINGLE FLAT 2X4 OR 2X6 ATTACHED TO CRIPPLES ABOVE, UNLESS OTHERWISE NOTED.
 - TANKED WATER HEATER SHOWN AS BASE CONDITION, OPTIONAL TANKLESS WATER HEATER IS AVAILABLE IN LIEU OF TANKED WATER HEATER.

- GYPHUM NOTES**
- AT GARAGE:
GYPSUM BOARD AT COMMON WALLS, CEILINGS, BEAM WRAPS AND SUPPORTS PER STANDARD DETAIL FA-1(b) FIRE ASSEMBLIES OR AS REQUIRED BY LOCAL CODE.
- AT STAIRS:
1/2" GYPSUM BOARD AT UNDERSIDE OF STAIRS AND WALLS IN CLOSET



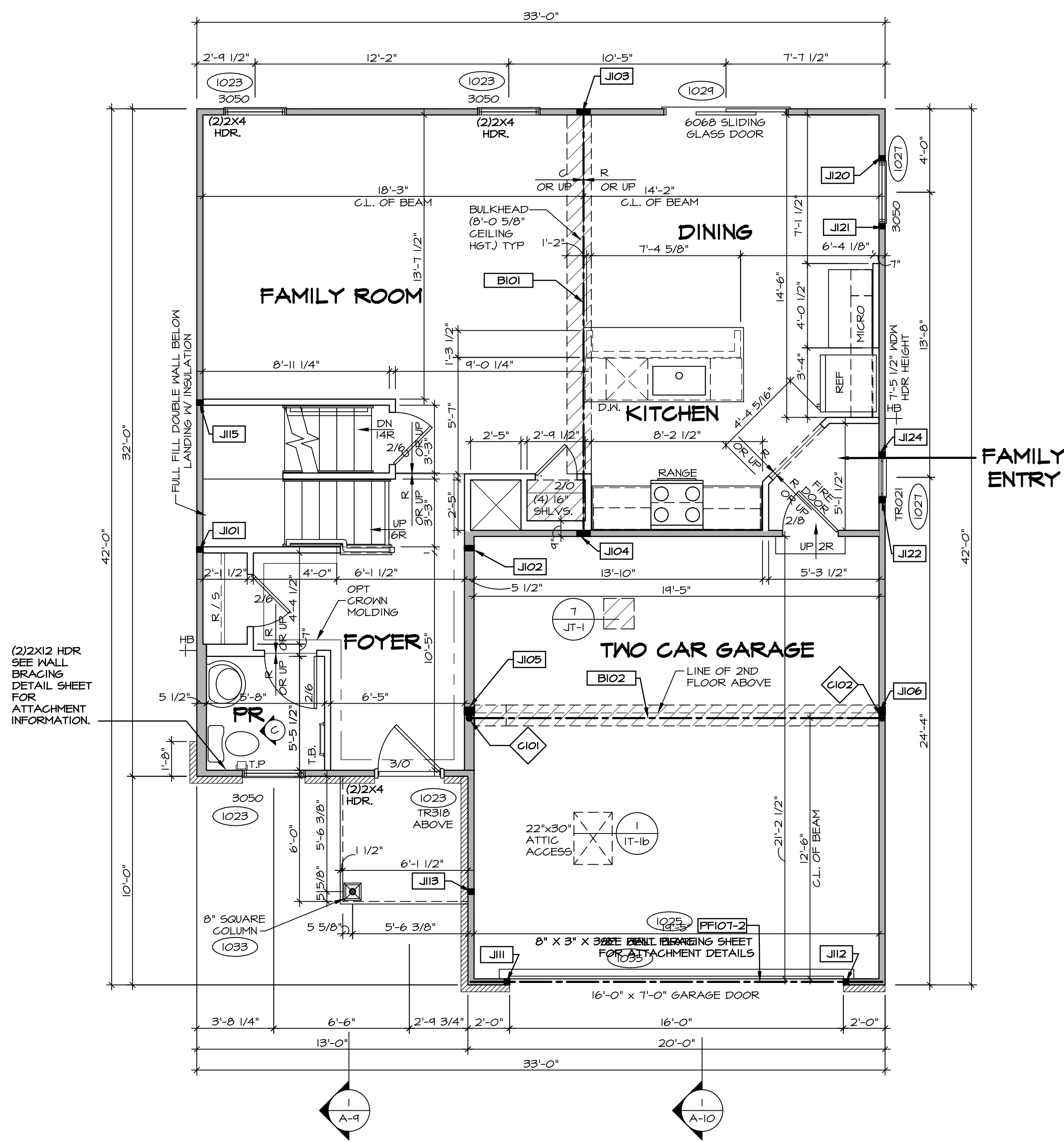
BASEMENT FLOOR PLAN
SCALE: 1/4" = 1'-0"

SHEET NO. A-6	MODEL ALLEGHENY	SET NO. ALGOO	VERSION 01	DRAWN BY TN	DATE: 08/04/2017	OPTION
		DRAWING TITLE BASEMENT FLOOR PLAN				
OPTION DESCRIPTION		26				
DIV-COMM-LOT-UNIT DCY-CH-S587		COMM-LOT CARRIAGE TRAILS - S587	APT. NO. ----	STATE OH	ZIP 45971	
STREET ADDRESS 5014 RED CEDAR DRIVE		CITY TIPP CITY				
<p><small>© NVR, Inc. expressly reserves the copyright and all other rights in these plans. These plans are not to be reproduced, changed or copied in any way without the written consent of NVR, Inc.</small></p> <p>NVR NVR, Inc. Suite 100 Frederick, MD 21703 5285 Westpark Drive Frederick, MD 21703</p>						
<p>C:\NVR\Solves\ALLEGHENY_ALGOO_01\DCY-CH-S587\2172747\Sheets\Lot_Specific\26 A-6 BSMT_LS.dwg 10/08/20 3:15 am</p>						

FIRST FLOOR JACK SCHEDULE				
IDENTIFIER	DESCRIPTION	ENG. NUM.	REMARKS	
J101	JACK - (2) 2X4 SFF STUD GRADE	1004		
J102	JACK - (2) 2X6 SFF STUD GRADE	1004		
J103	JACK - (3) 2X4 SFF	1008		
J104	JACK - (3) 2X4 SFF	1008		
J105	JACK - (3) 2X6 SFF	1010		
J106	JACK - (3) 2X4 SFF	1010		
J111	JACK - (2) 2X4 SFF STUD GRADE	1025		
J112	JACK - (2) 2X4 SFF STUD GRADE	1025		
J113	JACK - (2) 2X4 SFF STUD GRADE	1033		
J115	JACK - (2) 2X4 SFF STUD GRADE	1006		
J120	JACK - (2) 2X4 SFF STUD GRADE	1027		
J121	JACK - (2) 2X4 SFF STUD GRADE	1027		
J122	JACK - (2) 2X4 SFF STUD GRADE	1027		
J124	JACK - (2) 2X4 SFF STUD GRADE	1027		

FIELD INSTALLED FIRST FLOOR BEAM/HEADER SCHEDULE				
IDENTIFIER	DESCRIPTION	LENGTH	ENG. NUM.	REMARKS
B101	BEAM STEEL - W10X30	20'-6"	1008	
B102	BEAM STEEL - W12X22	20'-0 1/2"	1019	
PF101-2	LVL 1.75 - 11-04	19'-4"	1025	2-PLY, 1A, PORTAL FRAME

STEEL COLUMN SCHEDULE				
IDENTIFIER	STYLE	HEIGHT	ENG. NUM.	REMARKS
C101	STANCHION - 3 IN DIA 116A ADJ	8'-0 13/16"	1019	
C102	STANCHION - 3 IN DIA 116A ADJ	9'-3 5/8"	1019	



FIRST FLOOR PLAN
SCALE: 1/4" = 1'-0"

LEGEND

- BEARING WALL
- NON BEARING WALL
- JACKS
- BEAM/HEADER
- PAD FOOTING
- STEEL COLUMN
- PORTAL FRAME
- JOIST/TRUSS
- LVL
- ENGINEERING PAGE NUMBER

SEE FC DETAILS FOR FRAMING CONNECTORS

- FLOOR PLAN NOTES** RYAN
- ALL HEADERS ARE (2) 2x6 w/ 2x4 WALLS OR (3) 2x6 w/ 2x6 WALLS, UNLESS OTHERWISE NOTED.
 - ALL HEADERS TO HAVE (1) 2x4 OR 2x6 JACK AND KING STUD EACH END, UNLESS OTHERWISE NOTED.
 - ALL EXTERIOR WALLS TO BE 4" w/ OSB OR 3 1/2" w/ LAMINATED FIBROUS STRUCTURAL SHEATHING, ALL INTERIOR WALLS TO BE 3 1/2", UNLESS OTHERWISE NOTED.
 - HATCHED AREAS INDICATE DROPPED CEILINGS. ALL DROPPED CEILINGS ARE 12" UNLESS OTHERWISE NOTED.
 - SEE "BRACED WALL PANEL DETAIL SHEET" FOR SPECIAL WALL FRAMING LOCATIONS AND HEADER SIZES, IF APPLICABLE.
 - SEE STANDARD DETAIL CATEGORY "1T" SHEET(S) FOR INTERIOR TRIM DETAILS.
 - SEE ARCHITECTURAL DETAIL SHEET "AD" FOR HOUSE SPECIFIC INTERIOR TRIM OPTION TABLE.
 - ALL WINDOWS HAVE 7'-0 1/2" HEADER HEIGHT UNLESS OTHERWISE NOTED.
 - ALL HEADERS IN NON-BEARING WALLS SHALL BE A SINGLE FLAT 2X4 OR 2X6 ATTACHED TO GRIPPLERS ABOVE, UNLESS OTHERWISE NOTED.
 - TANKED WATER HEATER SHOWN AS BASE CONDITION, OPTIONAL TANKLESS WATER HEATER IS AVAILABLE IN LIEU OF TANKED WATER HEATER.

- GYPSUM NOTES**
- AT GARAGE:
GYPSUM BOARD AT COMMON WALLS, CEILINGS, BEAM WRAPS AND SUPPORTS PER STANDARD DETAIL FA-1(b) FIRE ASSEMBLIES OR AS REQUIRED BY LOCAL CODE.
- AT STAIRS:
1/2" GYPSUM BOARD AT UNDERSIDE OF STAIRS AND WALLS IN CLOSET

DCY-CH-S587

COMMITTEE: DCY-CH-S587

STREET ADDRESS: 5014 RED CEDAR DRIVE

CITY: TIPP CITY

STATE: OH

ZIP: 45971

NVR, Inc. expressly reserves the right to modify these plans without notice. These plans are not to be reproduced, changed or altered in any way without the written consent of NVR, Inc.

NVR

NVR, Inc. Suite 100
5285 Washington Blvd
Frederick, MD 21703

SET NO. ALGOO
VERSION 01
DRAWN BY YON
DATE: 08/10/2017
OPTION

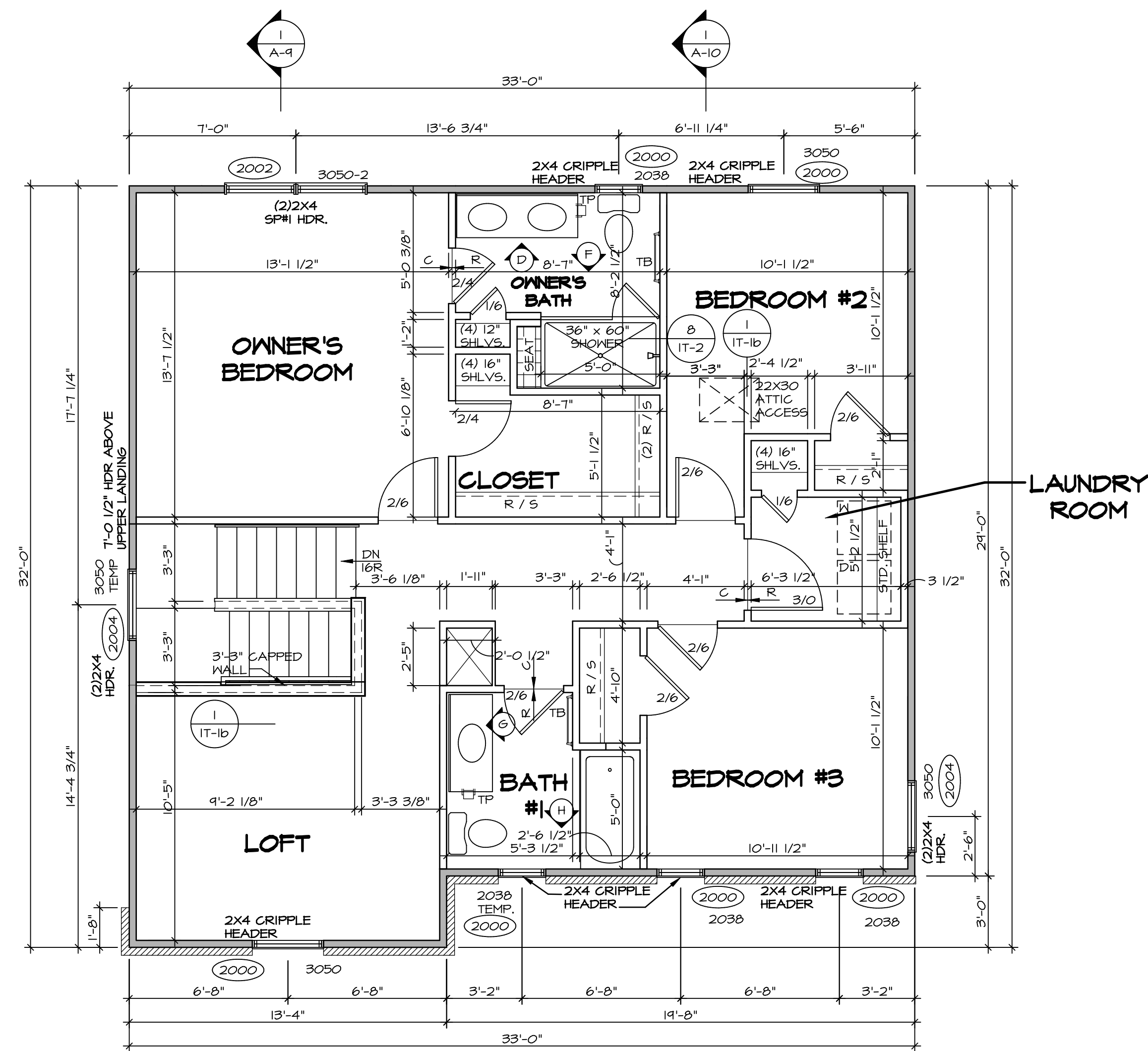
SHEET NO. **A-7**

MODEL **ALLEGHENY**

DRAWING TITLE **FIRST FLOOR PLAN**

OPTION DESCRIPTION

28



SECOND FLOOR PLAN
SCALE: 1/4" = 1'-0"

LEGEND

[Symbol]	BEARING WALL
[Symbol]	NON BEARING WALL
[Symbol]	INDICATES BEARING FROM POINT-LOAD ABOVE
[Symbol]	JACKS
[Symbol]	BEAM/HEADER
[Symbol]	PAD FOOTING
[Symbol]	STEEL COLUMN
[Symbol]	PORTAL FRAME
[Symbol]	JOIST/TRUSS
[Symbol]	LVL
[Symbol]	ENGINEERING PAGE NUMBER

SEE FC DETAILS FOR FRAMING CONNECTORS

- FLOOR PLAN NOTES** RYAN
- ALL HEADERS ARE (2) 2x6 w/ 2x4 WALLS OR (3) 2x6 w/ 2x6 WALLS, UNLESS OTHERWISE NOTED.
 - ALL HEADERS TO HAVE (1) 2x4 OR 2x6 JACK AND KING STUD EACH END, UNLESS OTHERWISE NOTED.
 - ALL EXTERIOR WALLS TO BE 4" w/ OSB OR 3 1/2" w/ T-PLY, ALL INTERIOR WALLS TO BE 3 1/2", UNLESS OTHERWISE NOTED.
 - HATCHED AREAS INDICATE DROPPED CEILINGS. ALL DROPPED CEILINGS ARE 12" UNLESS OTHERWISE NOTED.
 - SEE "BRACED WALL PANEL DETAIL SHEET" FOR SPECIAL WALL FRAMING LOCATIONS AND HEADER SIZES, IF APPLICABLE.
 - SEE STANDARD DETAIL CATEGORY "1T" SHEET(S) FOR INTERIOR TRIM DETAILS.
 - SEE ARCHITECTURAL DETAIL SHEET "AD" FOR HOUSE SPECIFIC INTERIOR TRIM OPTION TABLE.
 - ALL WINDOWS HAVE 7'-0" 1/2" HEADER HEIGHT UNLESS OTHERWISE NOTED.
 - ALL HEADERS IN NON-BEARING WALLS SHALL BE A SINGLE FLAT 2x4 OR 2x6 ATTACHED TO CRIPPLES ABOVE, UNLESS OTHERWISE NOTED.
 - TANKED WATER HEATER SHOWN AS BASE CONDITION, OPTIONAL TANKLESS WATER HEATER IS AVAILABLE IN LIEU OF TANKED WATER HEATER.

- GYPSUM NOTES**
- AT GARAGE:
GYPSUM BOARD AT COMMON WALLS, CEILINGS, BEAM WRAPS AND SUPPORTS PER STANDARD DETAIL FA-1(b) FIRE ASSEMBLIES OR AS REQUIRED BY LOCAL CODE.
- AT STAIRS:
1/2" GYPSUM BOARD AT UNDERSIDE OF STAIRS AND WALLS IN CLOSET

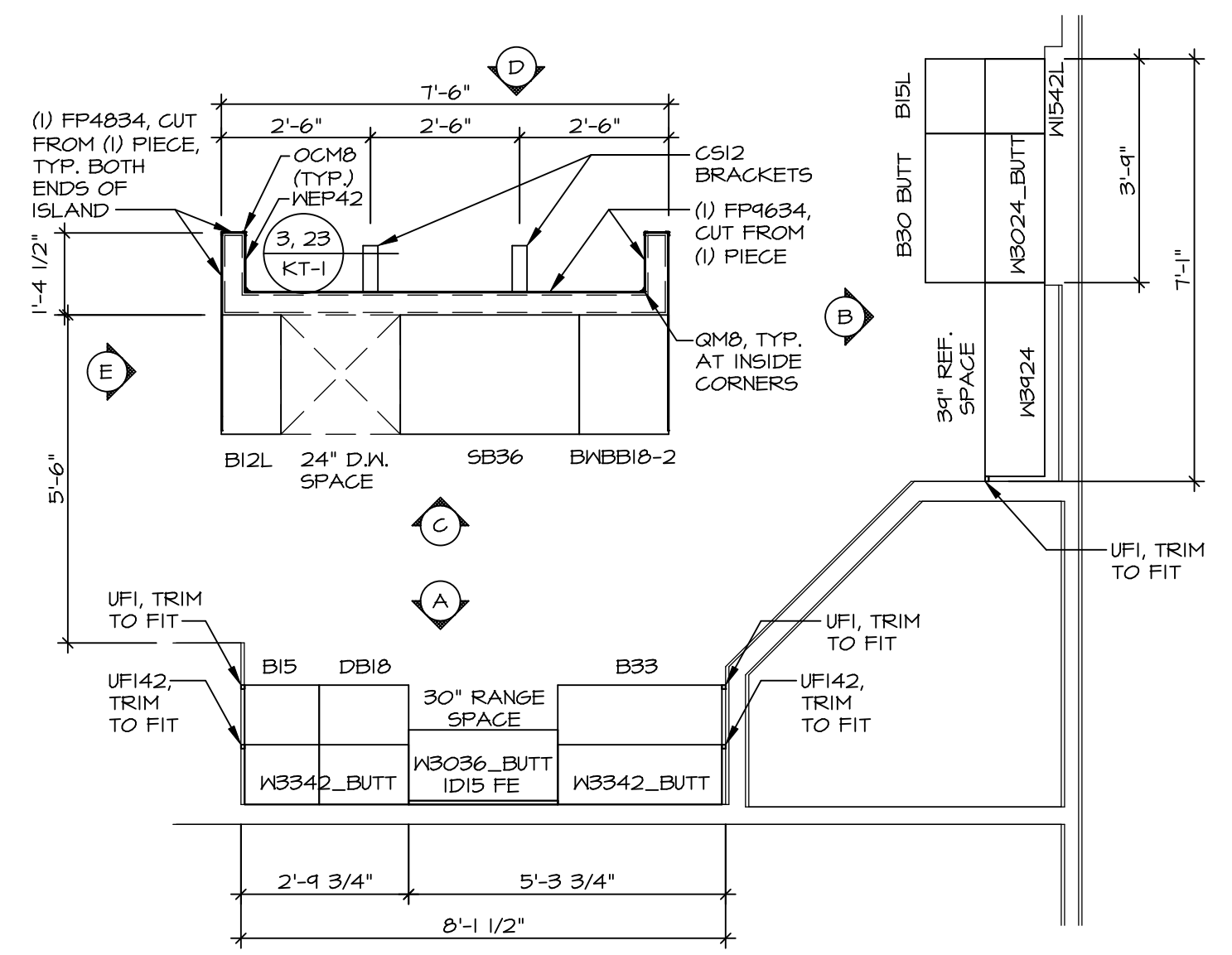
SHEET NO. A-8	MODEL ALLEGHENY	SET NO. ALGOO	DIV-COMM-LOT-UNIT DCY-CH-S587
	DRAWING TITLE SECOND FLOOR PLAN	VERSION 01	
OPTION DESCRIPTION 31	DATE: 08/10/2017	DRAWN BY: YON	STREET ADDRESS 5014 RED CEDAR DRIVE
	OPTION	DATE: 08/10/2017	CITY TIPP CITY
			STATE OH
			ZIP 45371

© NVR, Inc. expressly reserves the right to modify these plans without notice. These plans are not to be reproduced, changed or altered in any way without the written consent of NVR, Inc.

NVR
NVR, Inc. Suite 100
5285 Washburn Drive
Fredericks, MD 21703

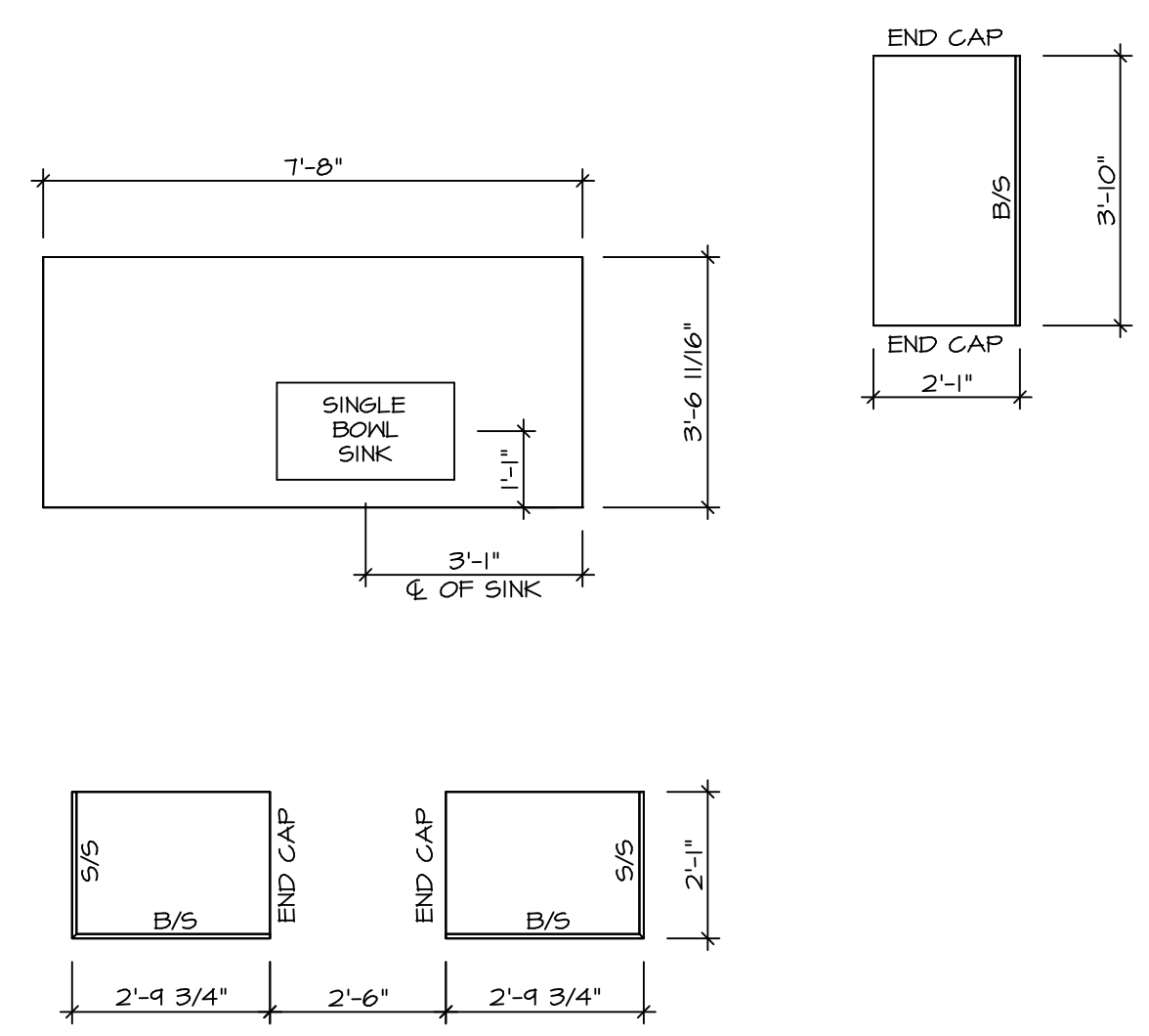
C:\NVR\Solves\ALLEGHENY_ALGOO_01\DCY-CH-S587\21727471 Sheets\Lot_Specific\31_A-8_PLN2_LS.dwg 10/08/20 3:51:50 am

- NOTES:**
1. CABINET LAYOUT (S) ARE BASED ON FINISHED DIMENSIONS TO DRYWALL.
 2. IF KITCHEN PLANS/ELEVATIONS CALL-OUT STANDARD MOLDING, REFER TO STANDARD DETAIL (I/KT-1) FOR REPLACEMENT BASED ON CABINET STYLE.
 3. ALL (U#) FILLERS ARE TO BE "TRIM TO FIT" UNLESS OTHERWISE NOTED.
 4. CABINET MUST BE SET, SHIMMED, LEVELED AND PLUMB W/ ADJOINING BASE CABINETS.
 5. SET PRE-FINISHED SCRIBE MOLDING AT CABINET BULKHEADS AND AT ENDS (WHERE CABINETS MEET DRYWALL) PRE-FINISHED SCRIBE MOLDING SHALL BE USED TO PAD OUT CABINET SIDES AT STILE FOR RETURN PIECES OF THE FACE-MOUNTED CABINET CROWN MOLDING.
 6. HARDWARE INSTALL NOTE: KNOBS GO ON DOORS AND DRAWERS FOR ALL AREAS, ALL DRAWER FRONTS AND DOORS GET (I) KNOB/PULL. NO HARDWARE ON FALSE DRAWER FRONTS.



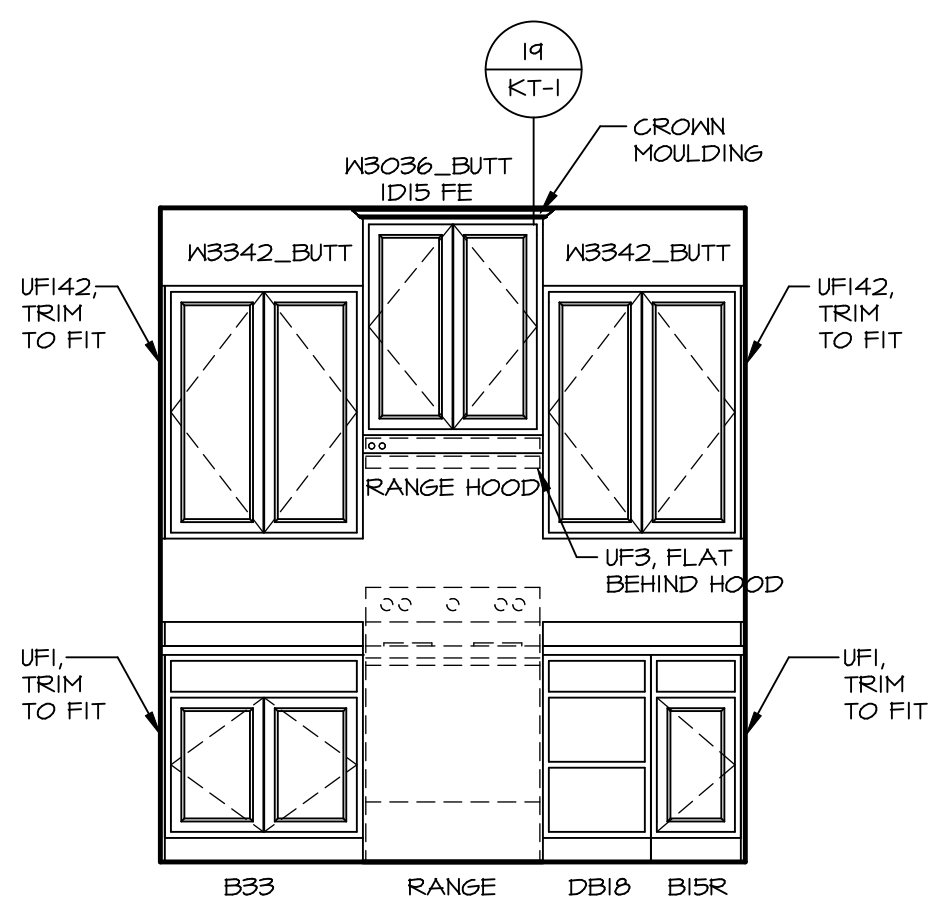
**KITCHEN CABINET
PLAN KC - 3489TC**

1
A-12 SCALE: 3/8" = 1'-0"

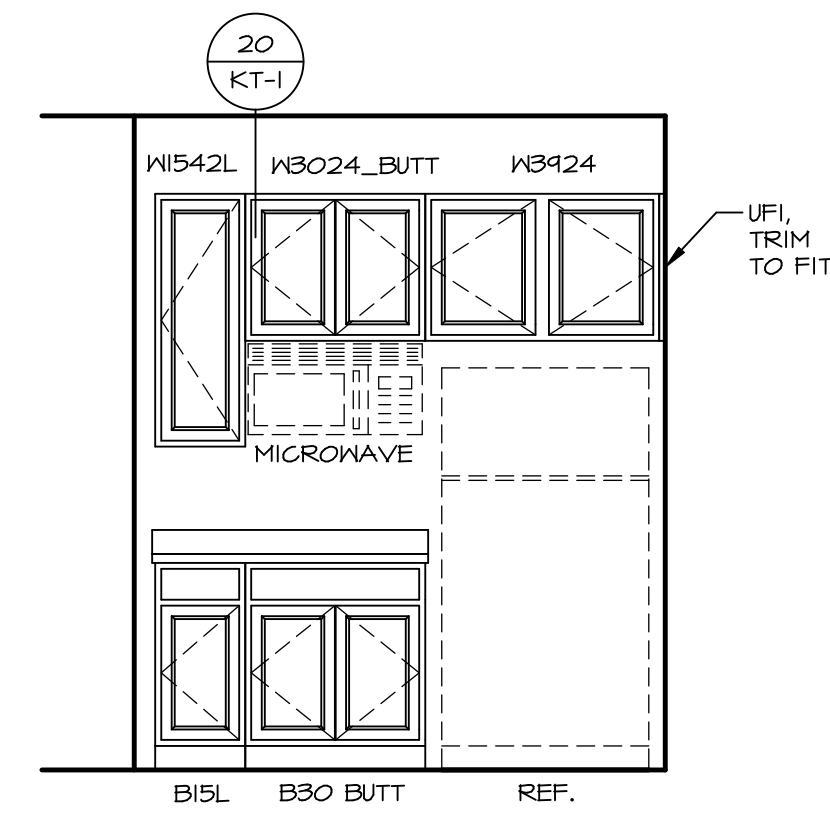


**KITCHEN COUNTERTOP
PLAN KC - 3489TC**

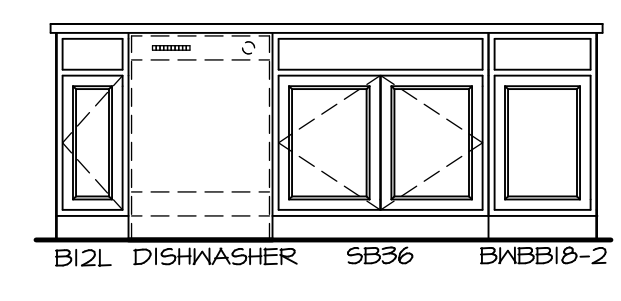
2
A-12 SCALE: 3/8" = 1'-0"



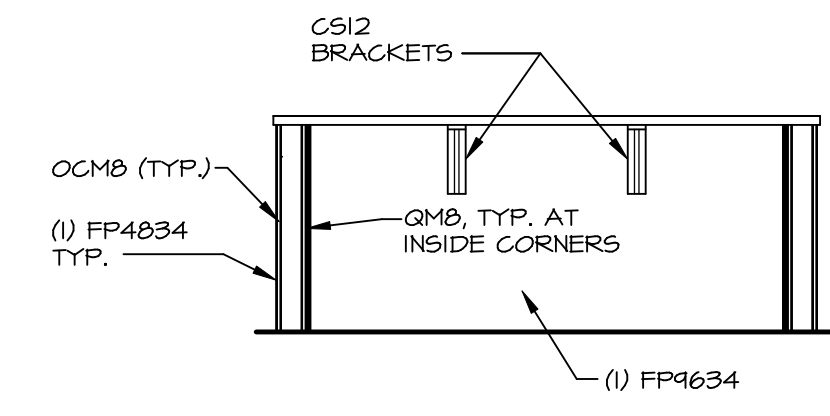
A ELEVATION "A"
SCALE: 3/8" = 1'-0"



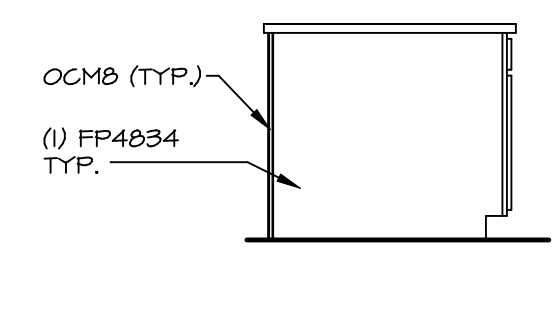
B ELEVATION "B"
SCALE: 3/8" = 1'-0"



C ELEVATION "C"
SCALE: 3/8" = 1'-0"



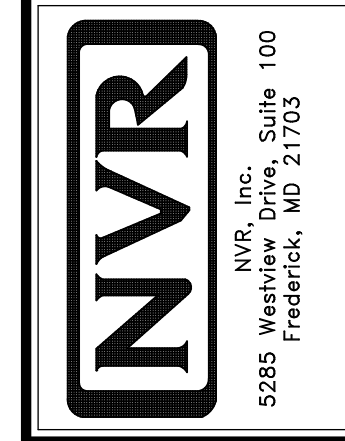
D ELEVATION "D"
SCALE: 3/8" = 1'-0"

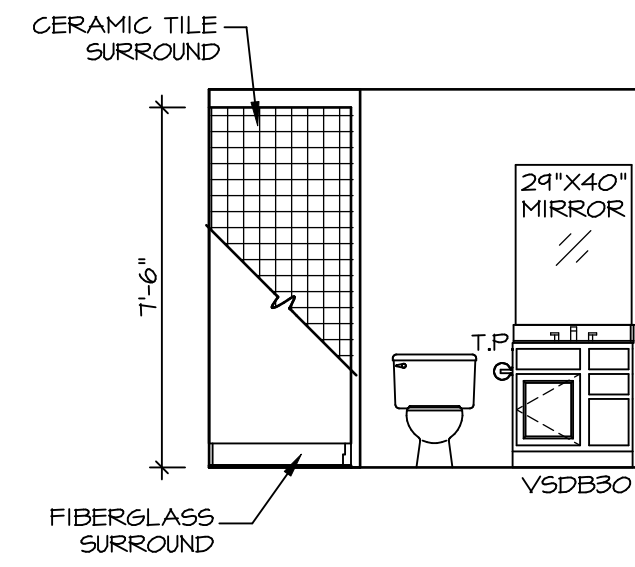


E ELEVATION "E"
SCALE: 3/8" = 1'-0"

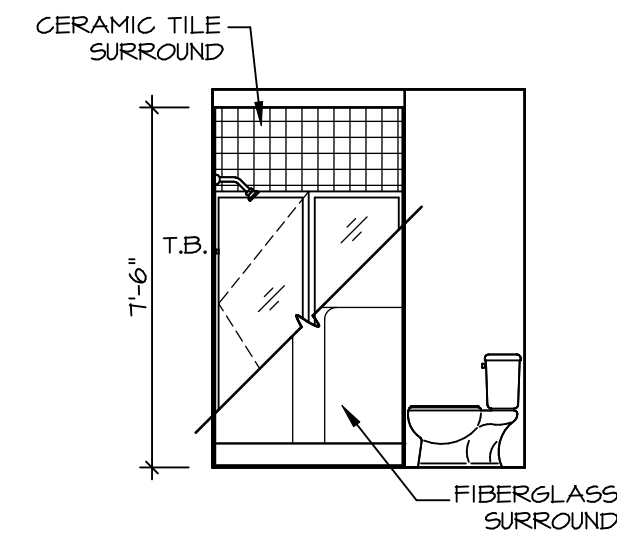
<p>DCY-CH-S587</p>	
<p>BIV-COMM-LOT-UNIT</p>	<p>COMM-LOT</p>
<p>CARRIAGE TRAILS - S587</p>	<p>APT. NO. -----</p>
<p>STREET ADDRESS</p>	<p>STATE OH</p>
<p>5014 RED CEDAR DRIVE</p>	<p>CITY TIPP CITY</p>
<p>ZIP 45371</p>	<p>OPTION DESCRIPTION</p>
<p>SET NO. ALGOO</p>	<p>VERSION 01</p>
<p>DRAWN BY KDH</p>	<p>DATE: 8/3/17</p>
<p>MODEL</p>	<p>OPTION</p>
<p>ALLEGHENY</p>	<p>A-12</p>
<p>DRAWING TITLE</p>	<p>KITCHEN PLANS</p>
<p>SHEET NO.</p>	<p>43</p>

NVR, Inc. expressly reserves the right to modify or change the information in these plans. These plans are not to be reproduced, changed or altered in any way without the written consent of NVR, Inc.

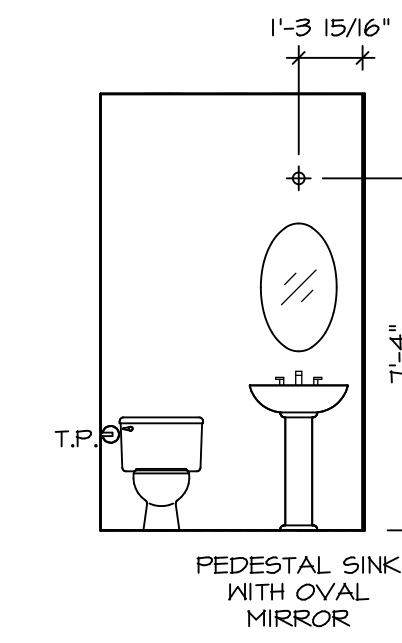




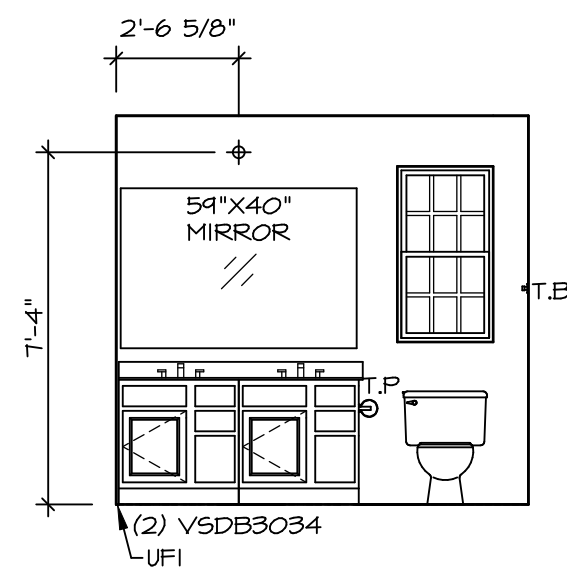
A BASEMENT BATH
SCALE: 1/4" = 1'-0"



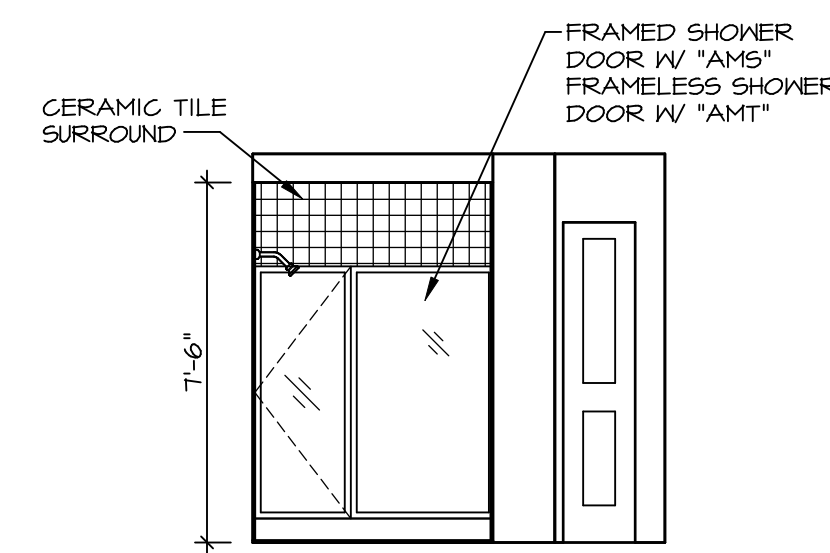
B BASEMENT BATH
SCALE: 1/4" = 1'-0"



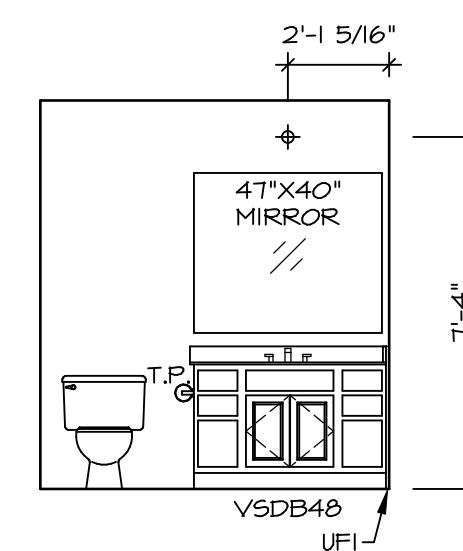
C POWDER ROOM
SCALE: 1/4" = 1'-0"



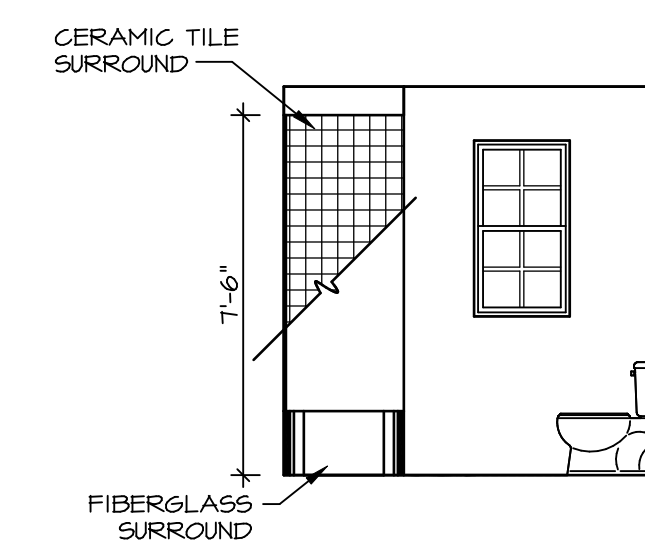
D OWNER'S BATH
SCALE: 1/4" = 1'-0"



F OWNER'S BATH
SCALE: 1/4" = 1'-0"



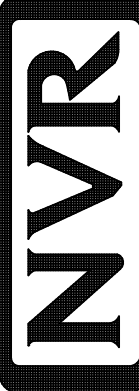
G BATH #1
SCALE: 1/4" = 1'-0"



H BATH #1
SCALE: 1/4" = 1'-0"

NOTES:

1. TEMPERED GLASS SHOWER ENCLOSURE WITH SWING DOOR OR OPTIONAL SLIDING DOOR BY DIVISION
2. TUB ACCESS PANELS PROVIDED AS NEEDED, ALL MATERIALS BY DIVISION
3. REFER TO SHEET IT-2 FOR TUB AND SHOWER DETAILS.
4. ALL VSDB24-42 DRAWERS TO BE SET ON RIGHT HAND.
5. ALL BATH ELEVATIONS ARE SHOWN PER PLAN.

DIV-COMM-LOT-UNIT DCY-CH-S587	
COMM-LOT CARRIAGE TRAILS - S587	APT. NO. -----
STREET ADDRESS 5014 RED CEDAR DRIVE	CITY STATE OH ZIP TIFF CITY OH 45371
<small>© NVR, Inc. expressly reserves the right to modify or change these plans without notice. These plans are not to be reproduced, changed or altered in any way without the written consent of NVR, Inc.</small>	
 <small>NVR, Inc. Suite 100 5285 Westheimer Road Frederick, MD 21703</small>	
SET NO. ALGOO VERSION 01	DRAWN BY YON
	DATE: 4/8/17
	OPTION
SHEET NO. A-13	MODEL ALLEGHENY DRAWING TITLE BATH ELEVATIONS
	OPTION DESCRIPTION
	44