

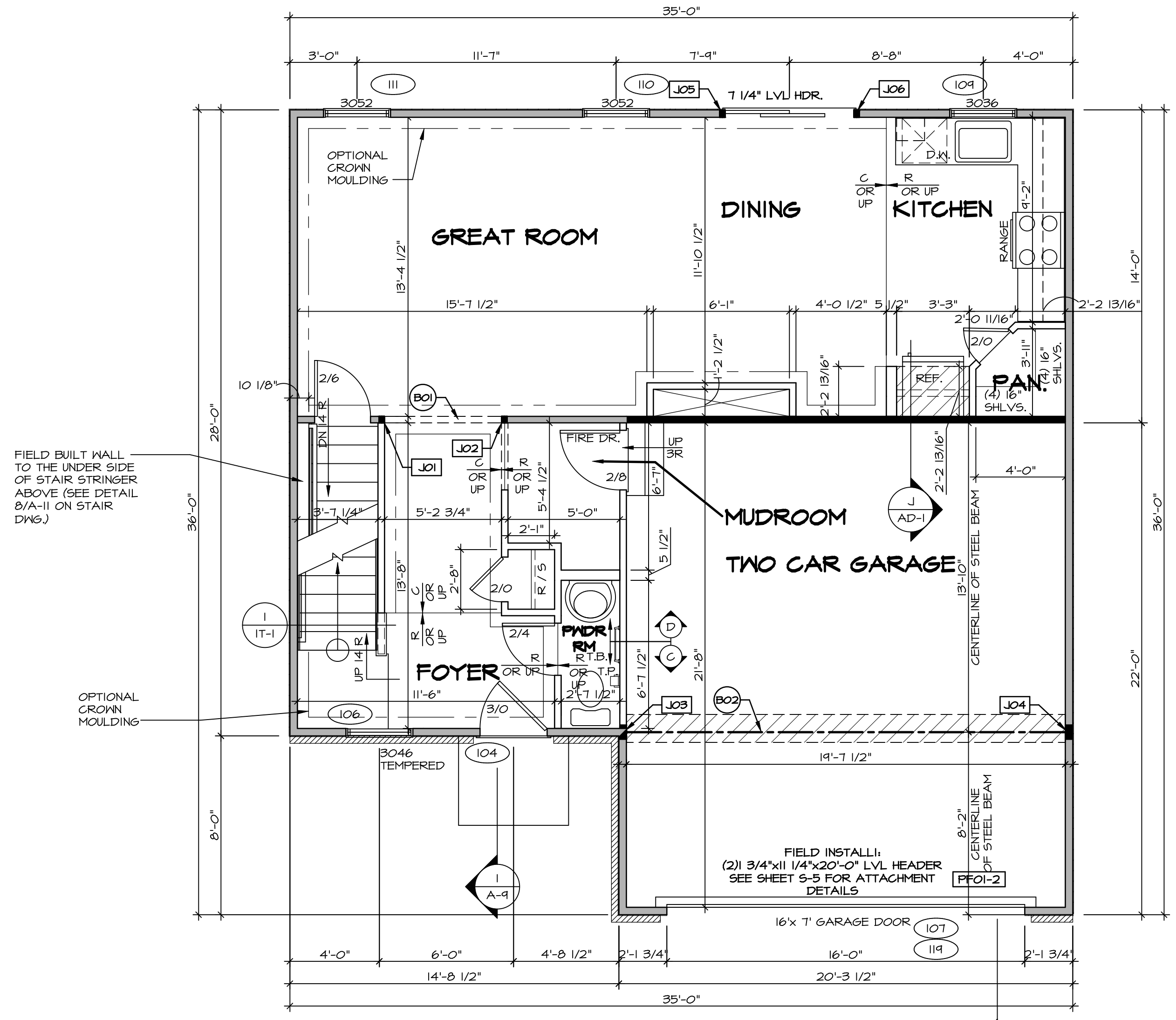
LEGEND

	BEARING WALL
	NON BEARING WALL
	INDICATES BEARING FROM POINT-LOAD ABOVE
	JACKS
	BEAM/HEADER
	PAD FOOTING
	STEEL COLUMN
	PORTAL FRAME
	JOIST/TRUSS
	LVL
	ENGINEERING PAGE NUMBER

SEE FC DETAILS FOR FRAMING CONNECTORS

- FLOOR PLAN NOTES**
- ALL HEADERS ARE (2) 2x6 w/ 2x4 WALLS OR (3) 2x6 w/ 2x6 WALLS, UNLESS OTHERWISE NOTED.
 - ALL HEADERS TO HAVE (1) 2x4 OR 2x6 JACK AND KING STUD EACH END, UNLESS OTHERWISE NOTED.
 - ALL EXTERIOR WALLS TO BE 4" w/ OSB OR 3 1/2" w/ T-PLY. ALL INTERIOR WALLS TO BE 3 1/2", UNLESS OTHERWISE NOTED.
 - HATCHED AREAS INDICATE DROPPED CEILINGS. ALL DROPPED CEILINGS ARE 12' UNLESS OTHERWISE NOTED.
 - SEE "BRACED WALL PANEL DETAIL SHEET" FOR SPECIAL WALL FRAMING LOCATIONS AND HEADER SIZES, IF APPLICABLE.
 - SEE STANDARD DETAIL CATEGORY "IT" SHEET(S) FOR INTERIOR TRIM DETAILS.
 - SEE ARCHITECTURAL DETAIL SHEET "AD" FOR HOUSE SPECIFIC INTERIOR TRIM OPTION TABLE.
 - ALL WINDOWS HAVE 1"-0 1/2" HEADER HEIGHT UNLESS OTHERWISE NOTED.
 - ALL HEADERS IN NON-BEARING WALLS SHALL BE A SINGLE FLAT 2x4 OR 2x6 ATTACHED TO CRIPPLES ABOVE, UNLESS OTHERWISE NOTED.

- GYPSUM NOTES**
- AT GARAGE:
GYPSUM BOARD AT COMMON WALLS, CEILINGS, BEAM WRAPS AND SUPPORTS PER STANDARD DETAIL FA-1(b) FIRE ASSEMBLIES OR AS REQUIRED BY LOCAL CODE.
- AT STAIRS:
1/2" GYPSUM BOARD AT UNDERSIDE OF STAIRS AND WALLS IN CLOSET



FIRST FLOOR JACK SCHEDULE

IDENTIFIER	DESCRIPTION	OPTIONS	ENS. NUM.	FIELD INSTALLED
J01	JACK - (2) 2X4 SFF STUD GRADE		103	
J02	JACK - (2) 2X4 SFF STUD GRADE		103	
J03	JACK - (5) 2X4 SFF#1	GCB / GCC	105	
J04	JACK - (5) 2X4 SFF#1	GCB / GCC	105	
J05	JACK - (2) 2X4 SFF STUD GRADE	DGT	104	
J06	JACK - (2) 2X4 SFF STUD GRADE	DGT	104	

- LVL PLY TO PLY FASTENING SCHEDULE:**
- 1.A - (2) PLY UP TO AND INCLUDING 11 7/8" TALL; FASTEN PLYS W/ (2) ROWS 16D NAILS AT 12" O.C.
 - 2.A - (2) PLY 14" TO AND 18" TALL (INCLUSIVE); FASTEN PLYS W/ (3) ROWS 16D NAILS AT 12" O.C.
 - 3.A - (2) PLY 20" TALL AND OVER; FASTEN PLYS W/ (4) ROWS 16D NAILS AT 12" O.C.
 - 4.A - (3) PLY UP TO AND INCLUDING 11 7/8" TALL; FASTEN PLYS W/ (2) ROWS 16D NAILS AT 12" O.C. FROM EACH SIDE
 - 5.A - (3) PLY 14" TO AND 18" TALL (INCLUSIVE); FASTEN PLYS W/ (3) ROWS 16D NAILS AT 12" O.C. FROM EACH SIDE
 - 6.A - (3) PLY 20" TALL AND OVER; FASTEN PLYS W/ (4) ROWS 16D NAILS AT 12" O.C. FROM EACH SIDE

FIELD INSTALLED FIRST FLOOR BEAM/HEADER SCHEDULE

IDENTIFIER	DESCRIPTION	LENGTH	OPTIONS	ENS. NUM.	REMARKS
B01	INT HEADER - 2X8 - 2 PLY	5'-8 3/4"		103	
B02	BEAM STEEL - W12X26	20'-2"	SRI / SXS / FBA / FCA	105	
FF01-2	LVL - 11-04	20'-0"	GCB	119	PORTAL FRAME, 2 PLY, 1.A

FIRST FLOOR PLAN
SCALE: 1/4" = 1'-0"

REVISIONS

REV. NO.	DATE	DESCRIPTION
1	08/05/16	N.L. - DRAWING ALIGNMENT
2	7/7/17	DRH - T-PLY CONVERSION

REMARKS

NVR, Inc., owner, expressly warrants the common rights in these plans. These plans are not to be reproduced, changed, copied in any way, or used for any other purpose without the written consent of NVR, Inc.

NVR
Architectural Services
5285 Washington Blvd
Frederick, MD 21703

SET NO. SIECO
VERSION 05
DRAWN BY
DATE: 2/2/2015
OPTION

MODEL
SIENNA
DRAWING TITLE
FIRST FLOOR PLAN
OPTION DESCRIPTION

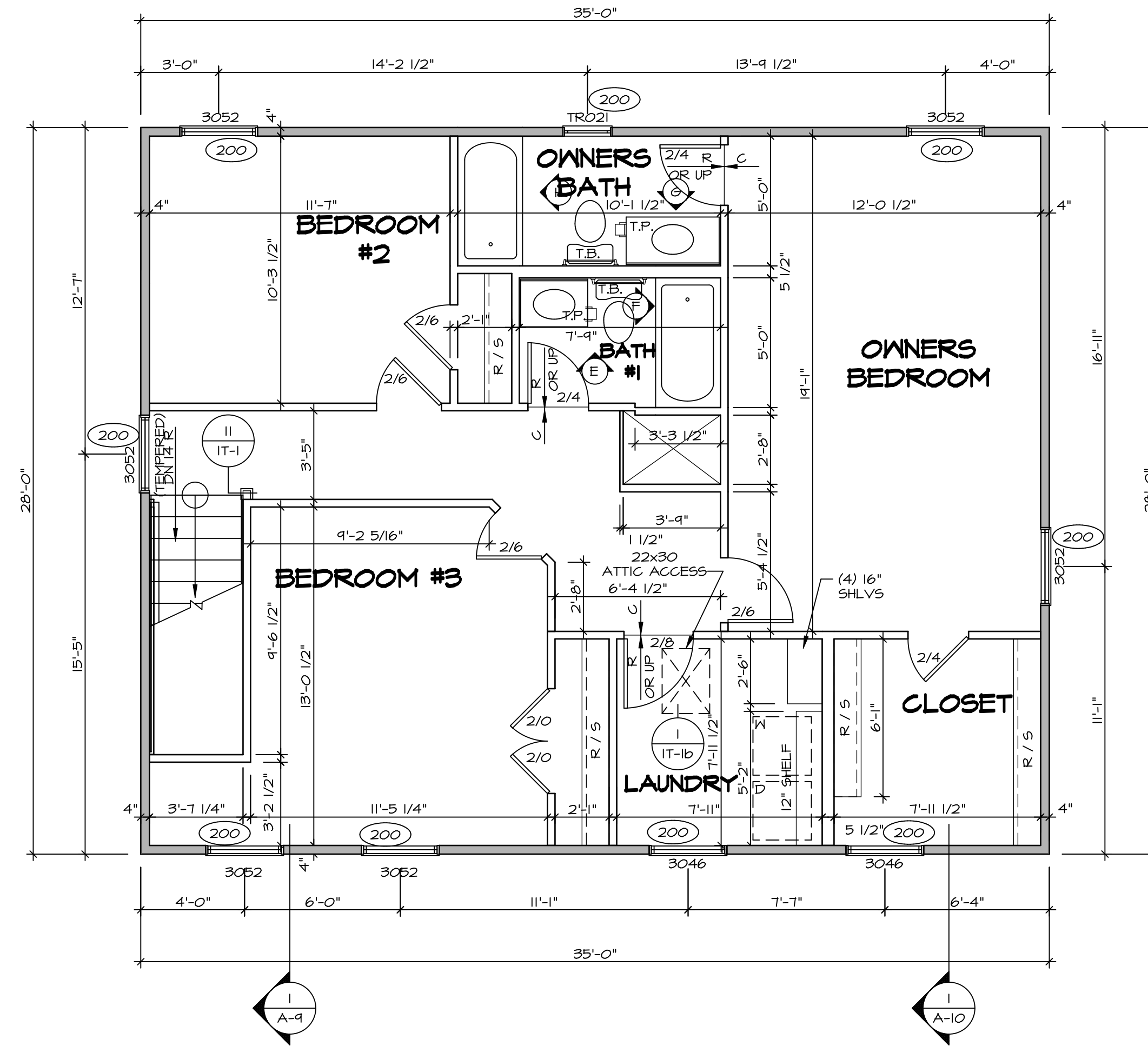
SHEET NO.
A-7
24

C:\NVR\Solves\SIENNA_SIECO_05\DCI-CH-X419\1170528\SheetA.dwg Specific: Z4, A-7, PLN1, LS.dwg 03/28/19 - 10:27 am

LEGEND	
	BEARING WALL
	NON BEARING WALL
	INDICATES BEARING FROM POINT-LOAD ABOVE
	JACKS
	BEAM/HEADER
	PAD FOOTING
	STEEL COLUMN
	PORTAL FRAME
	JOIST/TRUSS
	LVL
	ENGINEERING PAGE NUMBER
SEE FC DETAILS FOR FRAMING CONNECTORS	

FLOOR PLAN NOTES

- ALL HEADERS ARE (2) 2x6 w/ 2x4 WALLS OR (3) 2x6 w/ 2x6 WALLS, UNLESS OTHERWISE NOTED.
- ALL HEADERS TO HAVE (1) 2x4 OR 2x6 JACK AND KING STUD EACH END, UNLESS OTHERWISE NOTED.
- ALL EXTERIOR WALLS TO BE 4" w/ OSB OR 3 1/2" w/ T-PLY, ALL INTERIOR WALLS TO BE 3 1/2", UNLESS OTHERWISE NOTED.
- HATCHED AREAS INDICATE DROPPED CEILINGS. ALL DROPPED CEILINGS ARE 12" UNLESS OTHERWISE NOTED.
- SEE "BRACED WALL PANEL DETAIL SHEET" FOR SPECIAL WALL FRAMING LOCATIONS AND HEADER SIZES, IF APPLICABLE.
- SEE STANDARD DETAIL CATEGORY "IT" SHEET(S) FOR INTERIOR TRIM DETAILS.
- SEE ARCHITECTURAL DETAIL SHEET "AD" FOR HOUSE SPECIFIC INTERIOR TRIM OPTION TABLE.
- ALL WINDOWS HAVE 7'-0 1/2" HEADER HEIGHT UNLESS OTHERWISE NOTED.
- ALL HEADERS IN NON-BEARING WALLS SHALL BE A SINGLE FLAT 2X4 OR 2X6 ATTACHED TO CRIPPLES ABOVE, UNLESS OTHERWISE NOTED.



SECOND FLOOR PLAN
SCALE: 1/4" = 1'-0"

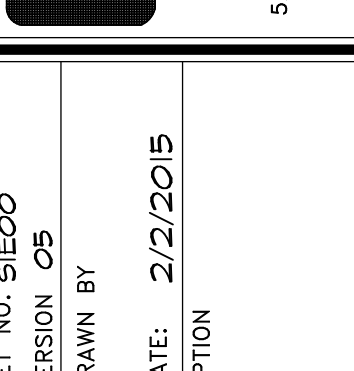
SHEET NO.	MODEL	SIENNA	DRAWING TITLE	SECOND FLOOR PLAN
A-8	SIENNA	VERSION 05	DRAWN BY	DATE: 2/2/2015
26			OPTION DESCRIPTION	OPTION

REMARKS

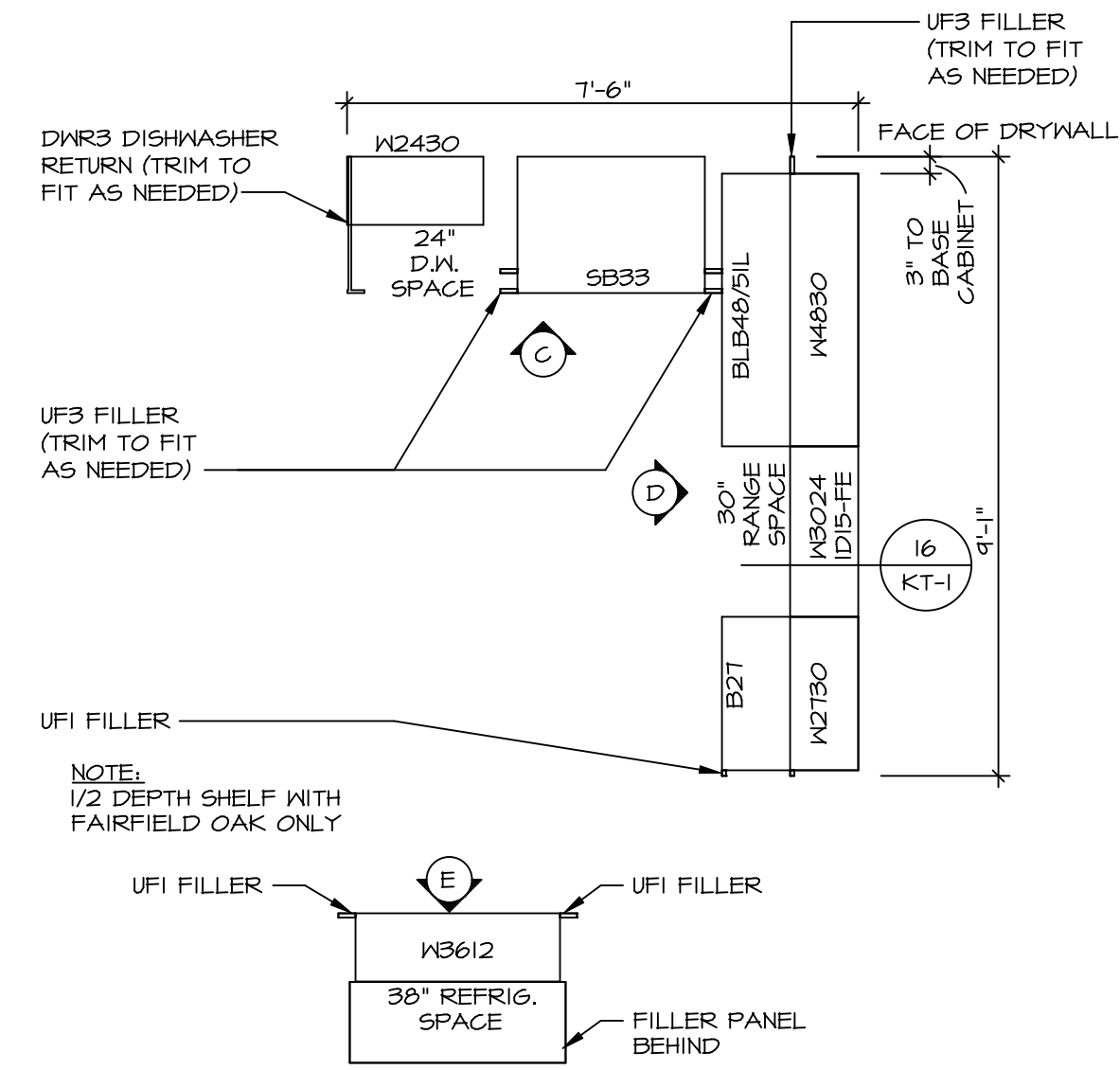
1 08/05/16 N.L. - DRAWING ALIGNMENT

2 7/7/17 DRH - T-PLY CONVERSION

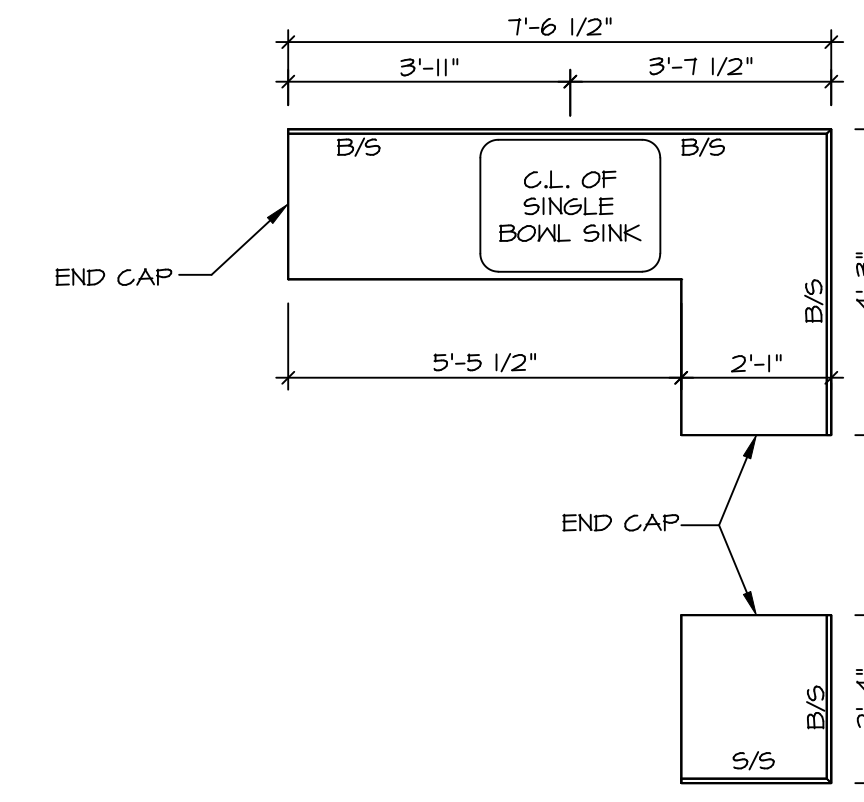
NVR, Inc., owner, expressly reserves its copyright in these plans. These plans are not to be reproduced, changed, copied, or otherwise used in any way without the written consent of NVR, Inc.



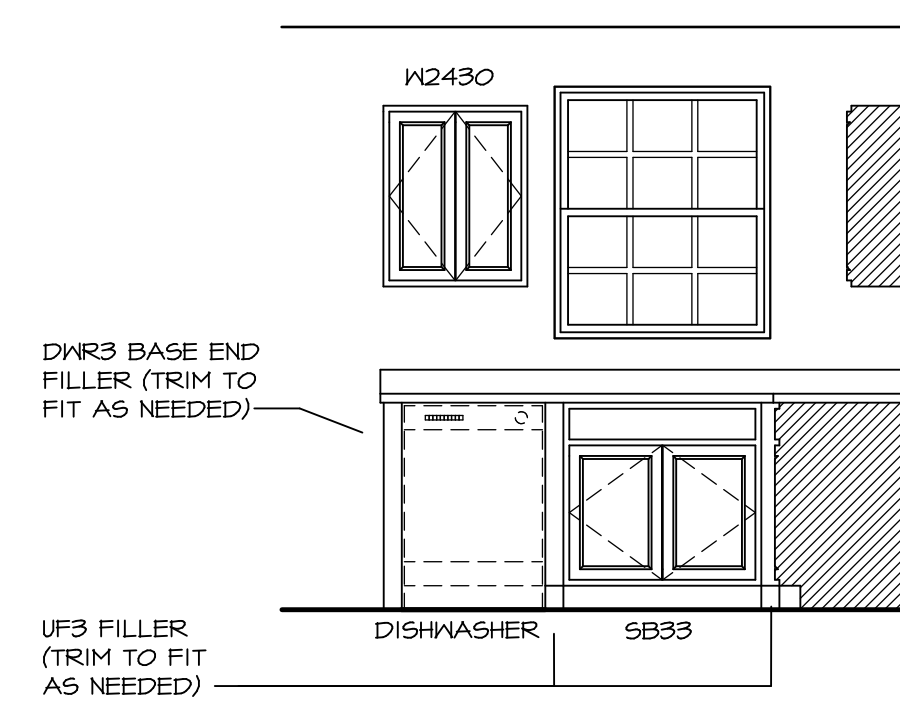
SET NO.	SIECO	VERSION	05
A-8	SIENNA	VERSION 05	DRAWN BY
26			DATE: 2/2/2015
			OPTION DESCRIPTION
			OPTION



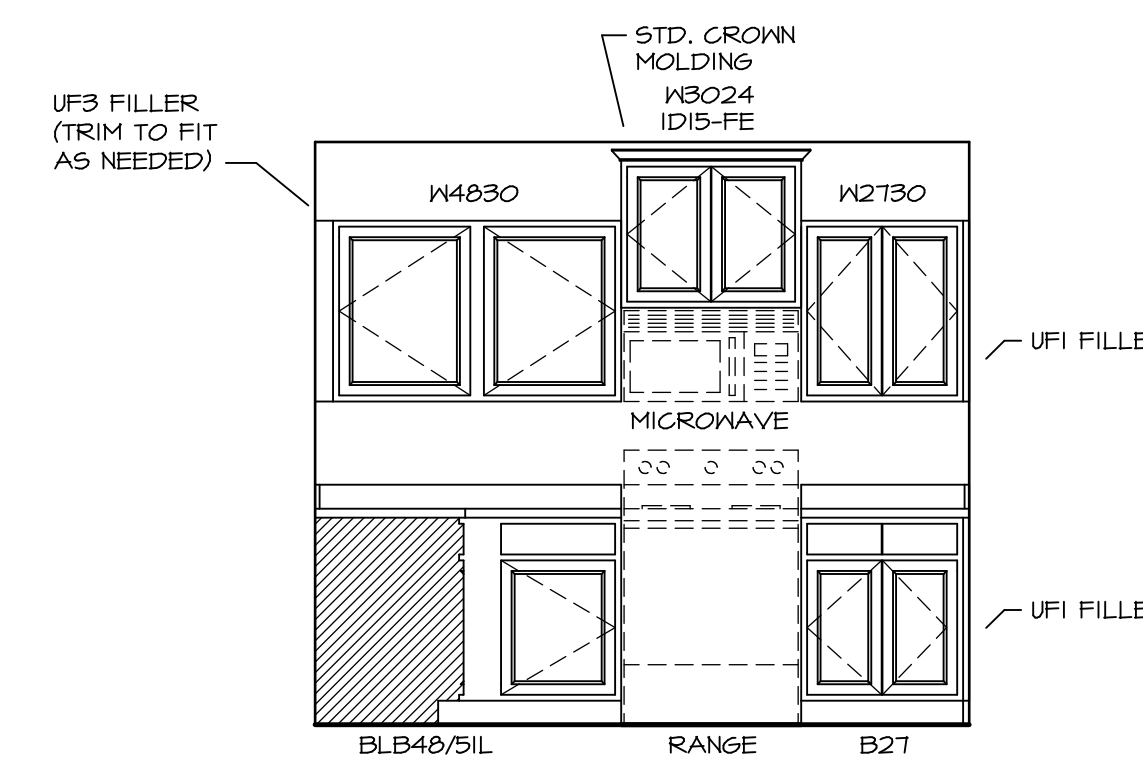
1 **CABINET PLAN - KC-1924**
 SCALE: 3/8" = 1'-0"
 STANDARD KITCHEN W/
 30" WALL CABINETS



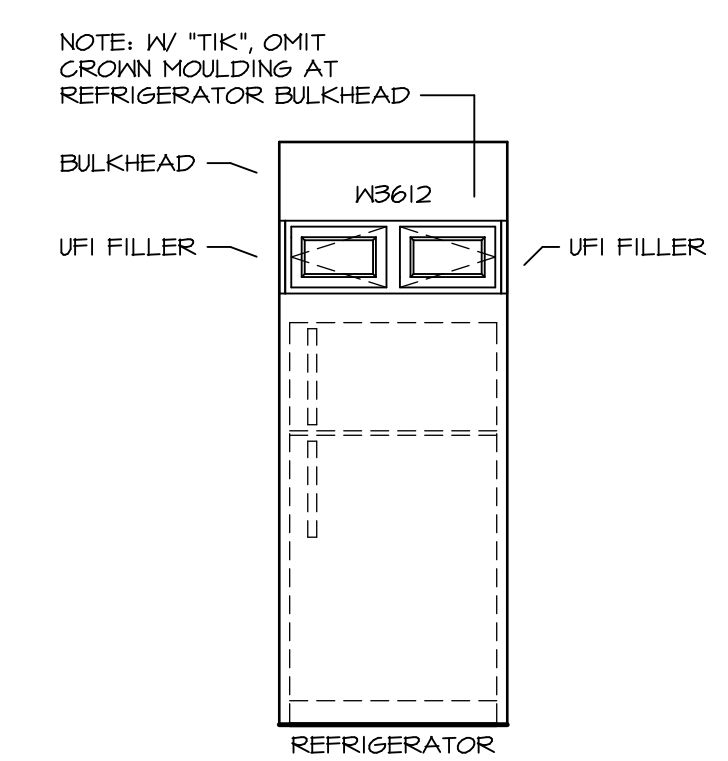
3 **COUNTERTOP PLAN - KT-1924**
 SCALE: 3/8" = 1'-0"
 STANDARD KITCHEN W/
 30" WALL CABINETS



C **KITCHEN ELEVATION**
 SCALE: 3/8" = 1'-0"

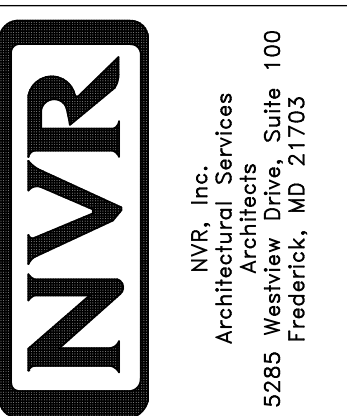


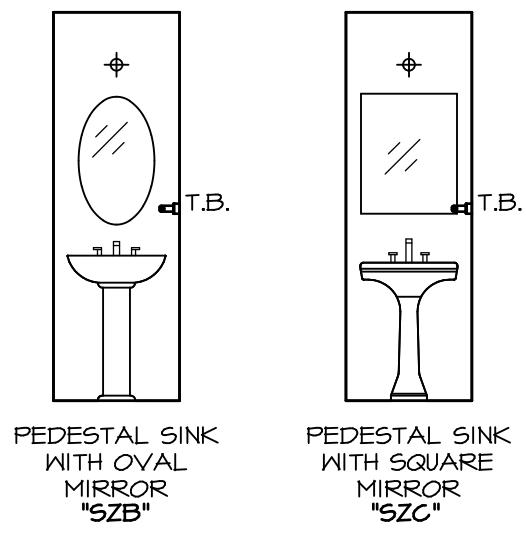
D **KITCHEN ELEVATION**
 SCALE: 3/8" = 1'-0"



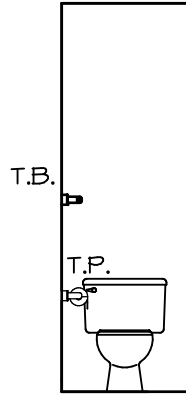
E **KITCHEN ELEVATION**
 SCALE: 3/8" = 1'-0"

SHEET NO. A-12	MODEL SIENNA	SET NO. SIECO VERSION 05	OPTION DESCRIPTION
	DRAWING TITLE KITCHENS	DRAWN BY DATE: 2/2/2015	
32	OPTION DESCRIPTION	DATE: 2/2/2015	OPTION
	REMARKS	<p>NVR, Inc., owner, expressly reserves its copyright in these plans. These plans are not to be reproduced, changed, copied, or otherwise used in any way without the prior written consent of NVR, Inc.</p>	

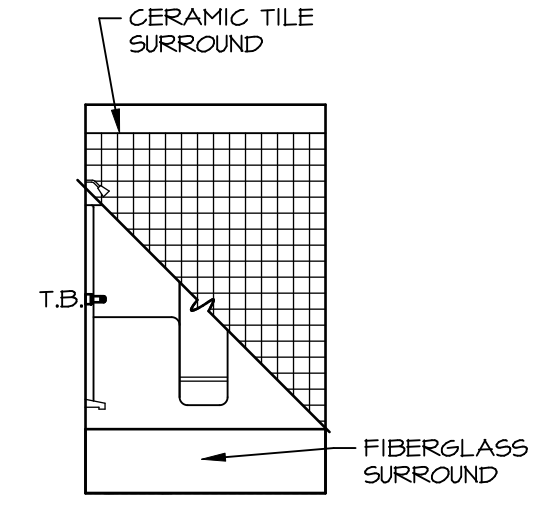




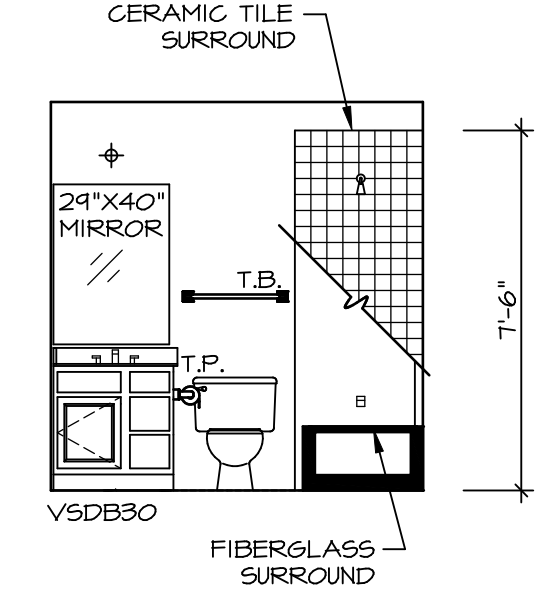
D POWDER ROOM
SCALE: 1/4" = 1'-0"



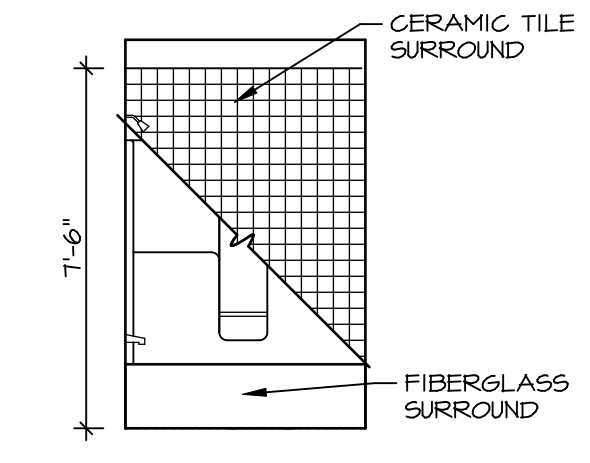
C POWDER ROOM
SCALE: 1/4" = 1'-0"



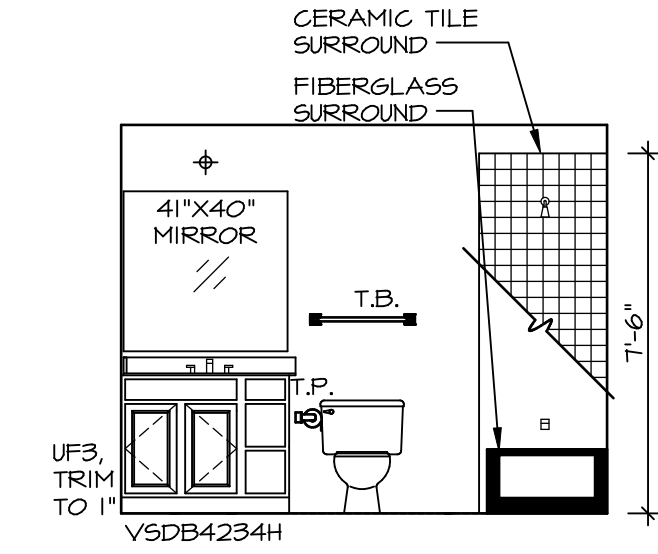
F BATH #1
SCALE: 1/4" = 1'-0"



E BATH #1
SCALE: 1/4" = 1'-0"



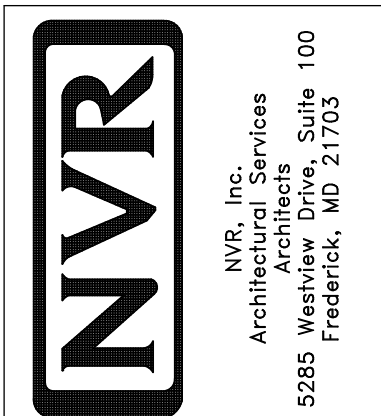
H OWNER'S BATH (AMB)
SCALE: 1/4" = 1'-0"



G OWNER'S BATH (AMB)
SCALE: 1/4" = 1'-0"

REV. NO.	DATE	REMARKS
1	08/05/16	N.L. - DRAWING ALIGNMENT

NVR, Inc., owner, expressly reserves its copyright in these plans. These plans are not to be reproduced, changed, copied, or otherwise used in any way without the written consent of NVR, Inc.



SHEET NO.	MODEL	SET NO.	VERSION	DRAWN BY	DATE	OPTION
A-13	SIENNA BATH ELEVATIONS	05	05	CSB	4/2/15	OPTION
33						

- NOTES:**
- TEMPERED GLASS SHOWER ENCLOSURE WITH SWING DOOR OR OPTIONAL SLIDING DOOR BY DIVISION
 - TUB ACCESS PANELS PROVIDED AS NEEDED, ALL MATERIALS BY DIVISION
 - REFER TO SHEET D-II FOR TUB AND SHOWER DETAILS.
 - ALL VSDB24-42 DRAWERS TO BE SET ON RIGHT HAND.
 - BATH ELEVATIONS ARE SHOWN PER PLAN.