

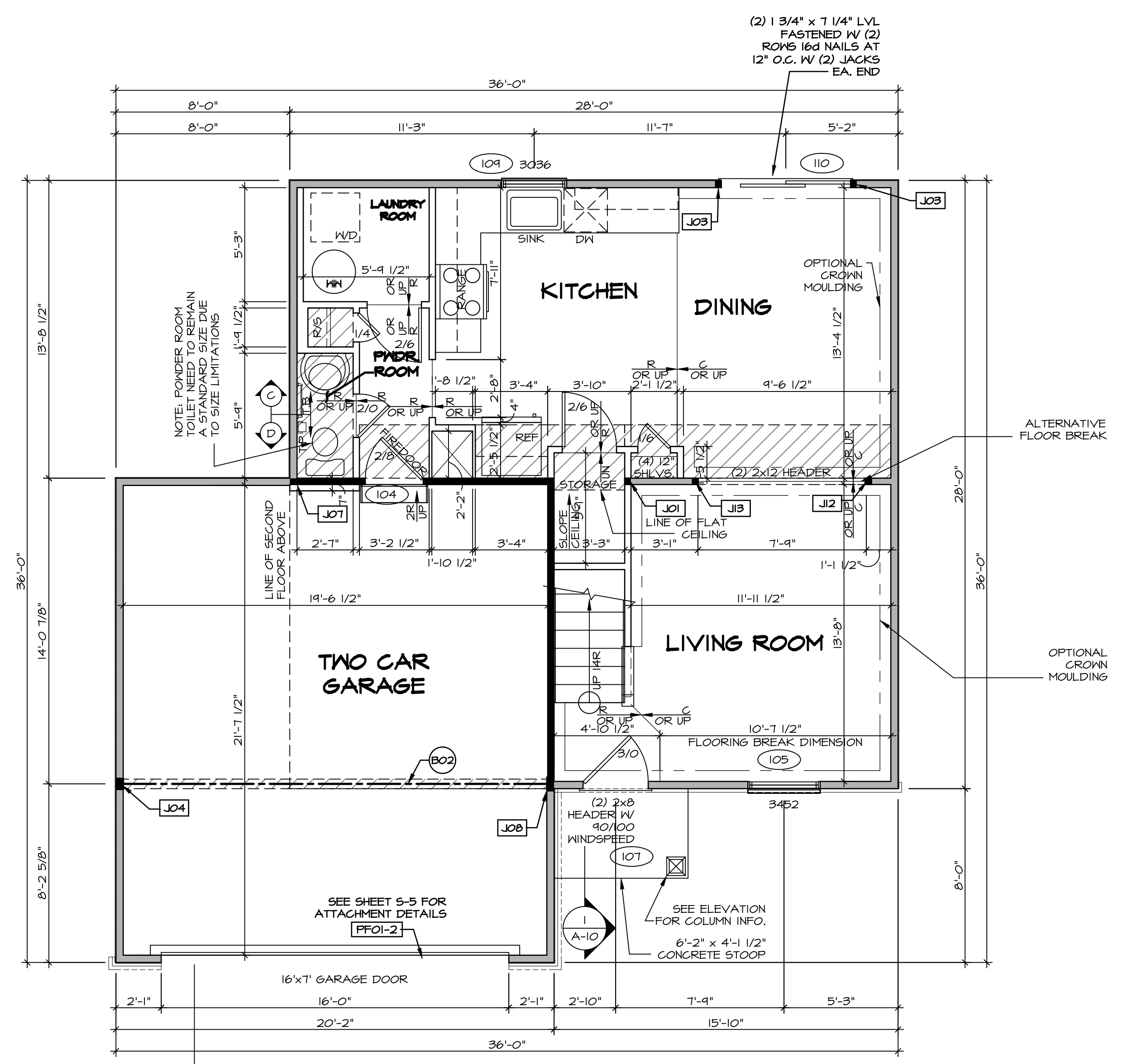
LEGEND

	BEARING WALL
	NON BEARING WALL
	INDICATES BEARING FROM POINT-LOAD ABOVE
	JACKS
	BEAM/HEADER
	PAD FOOTING
	STEEL COLUMN
	PORTAL FRAME
	JOIST/TRUSS
	LVL
	ENGINEERING PAGE NUMBER

SEE FC DETAILS FOR FRAMING CONNECTORS

- FLOOR PLAN NOTES**
- ALL HEADERS ARE (2) 2x6 W/ 2x4 WALLS OR (3) 2x6 W/ 2x6 WALLS, UNLESS OTHERWISE NOTED.
 - ALL HEADERS TO HAVE (1) 2x4 OR 2x6 JACK AND KING STUD EACH END, UNLESS OTHERWISE NOTED.
 - ALL EXTERIOR WALLS TO BE 4" W/ OSB OR 3 1/2" W/ T-PLY, ALL INTERIOR WALLS TO BE 3 1/2", UNLESS OTHERWISE NOTED.
 - HATCHED AREAS INDICATE DROPPED CEILINGS. ALL DROPPED CEILINGS ARE 12" UNLESS OTHERWISE NOTED.
 - SEE "BRACED WALL PANEL DETAIL SHEET" FOR SPECIAL WALL FRAMING LOCATIONS AND HEADER SIZES, IF APPLICABLE.
 - SEE STANDARD DETAIL CATEGORY "IT" SHEET(S) FOR INTERIOR TRIM DETAILS.
 - SEE ARCHITECTURAL DETAIL SHEET "AD" FOR HOUSE SPECIFIC INTERIOR TRIM OPTION TABLE.
 - ALL WINDOWS HAVE T-O 1/2" HEADER HEIGHT UNLESS OTHERWISE NOTED.
 - ALL HEADERS IN NON-BEARING WALLS SHALL BE A SINGLE FLAT 2X4 OR 2X6 ATTACHED TO GRIPPLIES ABOVE, UNLESS OTHERWISE NOTED.

- GYPSUM NOTES**
- AT GARAGE:
GYPSUM BOARD AT COMMON WALLS, CEILINGS, BEAM WRAPS AND SUPPORTS PER STANDARD DETAIL FA-1(b) FIRE ASSEMBLIES OR AS REQUIRED BY LOCAL CODE.
- AT STAIRS:
1/2" GYPSUM BOARD AT UNDERSIDE OF STAIRS AND WALLS IN CLOSET



FIRST FLOOR JACK SCHEDULE

IDENTIFIER	DESCRIPTION	OPTIONS	ENG. NUM.	FIELD INSTALLED
JO1	JACK - (2) 2X4 SFF STUD GRADE		IO3	
JO3	JACK - (2) 2X4 SFF STUD GRADE	D&T	IO0	
JO4	JACK - (4) 2X4 SFF STUD GRADE		III	
JO7	JACK - (2) 2X4 SFF STUD GRADE	GCB	III	
JO8	JACK - (5) 2X4 SFF STUD GRADE		III	
JI2	JACK - (2) 2X4 SFF STUD GRADE		IO4	
JI3	JACK - (2) 2X4 SFF STUD GRADE		IO4	

LVL PLY TO PLY FASTENING SCHEDULE:

1A - (2) PLY UP TO AND INCLUDING 11 7/8" TALL; FASTEN PLYS W/ (2) ROWS 16d NAILS AT 12" O.C.

2A - (2) PLY 14" TO AND 18" TALL (INCLUSIVE); FASTEN PLYS W/ (3) ROWS 16d NAILS AT 12" O.C.

3A - (2) PLY 20" TALL AND OVER; FASTEN PLYS W/ (4) ROWS 16d NAILS AT 12" O.C.

4A - (3) PLY UP TO AND INCLUDING 11 7/8" TALL; FASTEN PLYS W/ (2) ROWS 16d NAILS AT 12" O.C. FROM EACH SIDE

5A - (3) PLY 14" TO AND 18" TALL (INCLUSIVE); FASTEN PLYS W/ (3) ROWS 16d NAILS AT 12" O.C. FROM EACH SIDE

6A - (3) PLY 20" TALL AND OVER; FASTEN PLYS W/ (4) ROWS 16d NAILS AT 12" O.C. FROM EACH SIDE

FIELD INSTALLED FIRST FLOOR BEAM/HEADER SCHEDULE

IDENTIFIER	DESCRIPTION	LENGTH	OPTIONS	ENG. NUM.	REMARKS
BO2	BEAM STEEL - M10X26	20'-0"	GCB	III	
PF01-2	LVL - 11-4	20'-0"	GCB	II2	2 PLY, 1A

FIRST FLOOR PLAN
SCALE: 1/4" = 1'-0"

REMARKS

REV. NO. DATE DESCRIPTION

1 08/05/16 N.L. - DRAWING ALIGNMENT

2 07/18/17 SLS - T-PLY CONVERSION PROJECT

SET NO. SOR000
VERSION 04
DRAWN BY
DATE:
OPTION

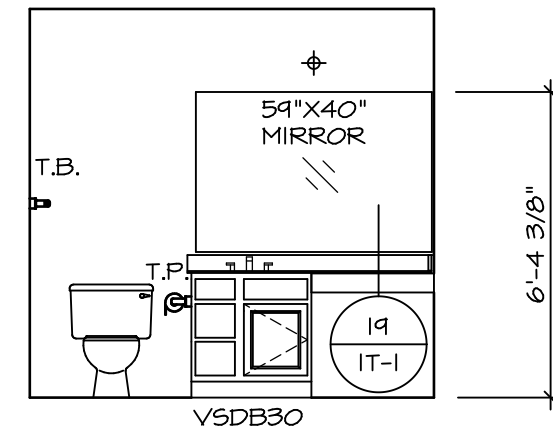
MODEL SORRENTO
DRAWING TITLE FIRST FLOOR PLAN
OPTION DESCRIPTION

SHEET NO. A-7 18

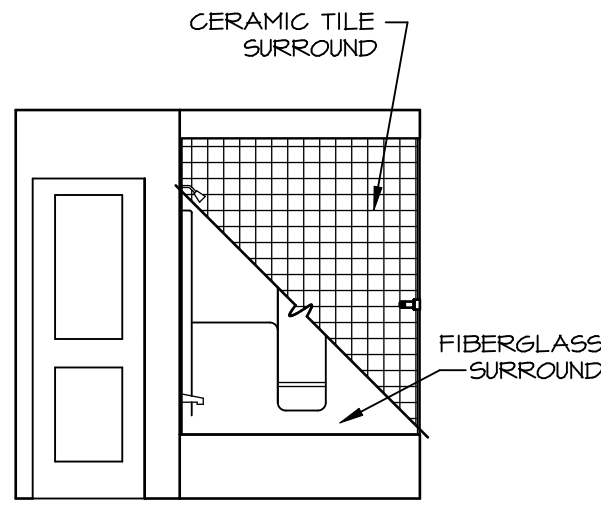
C:\NVR\Solves\SORRENTO_SOR000_0A.DWG - CH-2941\844211 Sheets\Lot_Specific\18 A-7 PLAN LS.dwg 06/28/18 - 3:16 am

NVR, Inc., owner, expressly reserves its copyright in these plans. These plans are not to be reproduced, changed, copied, or otherwise used in any way without the prior written consent of NVR, Inc.

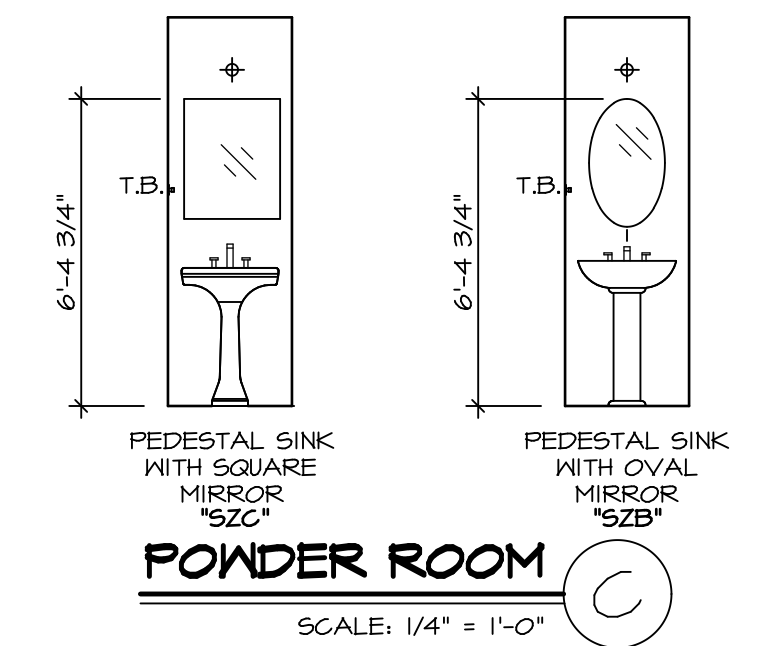
NVR
NVR, Inc.
Architectural Services
21 Belfrage Ave., A
Frederick, MD 21702



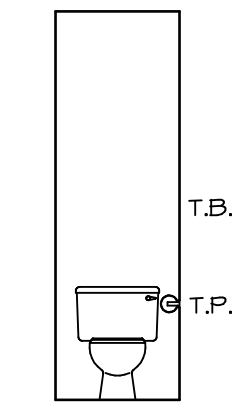
BATH # 1
SCALE: 1/4" = 1'-0" (M)



BATH # 1
SCALE: 1/4" = 1'-0" (N)



POWDER ROOM
SCALE: 1/4" = 1'-0" (C)



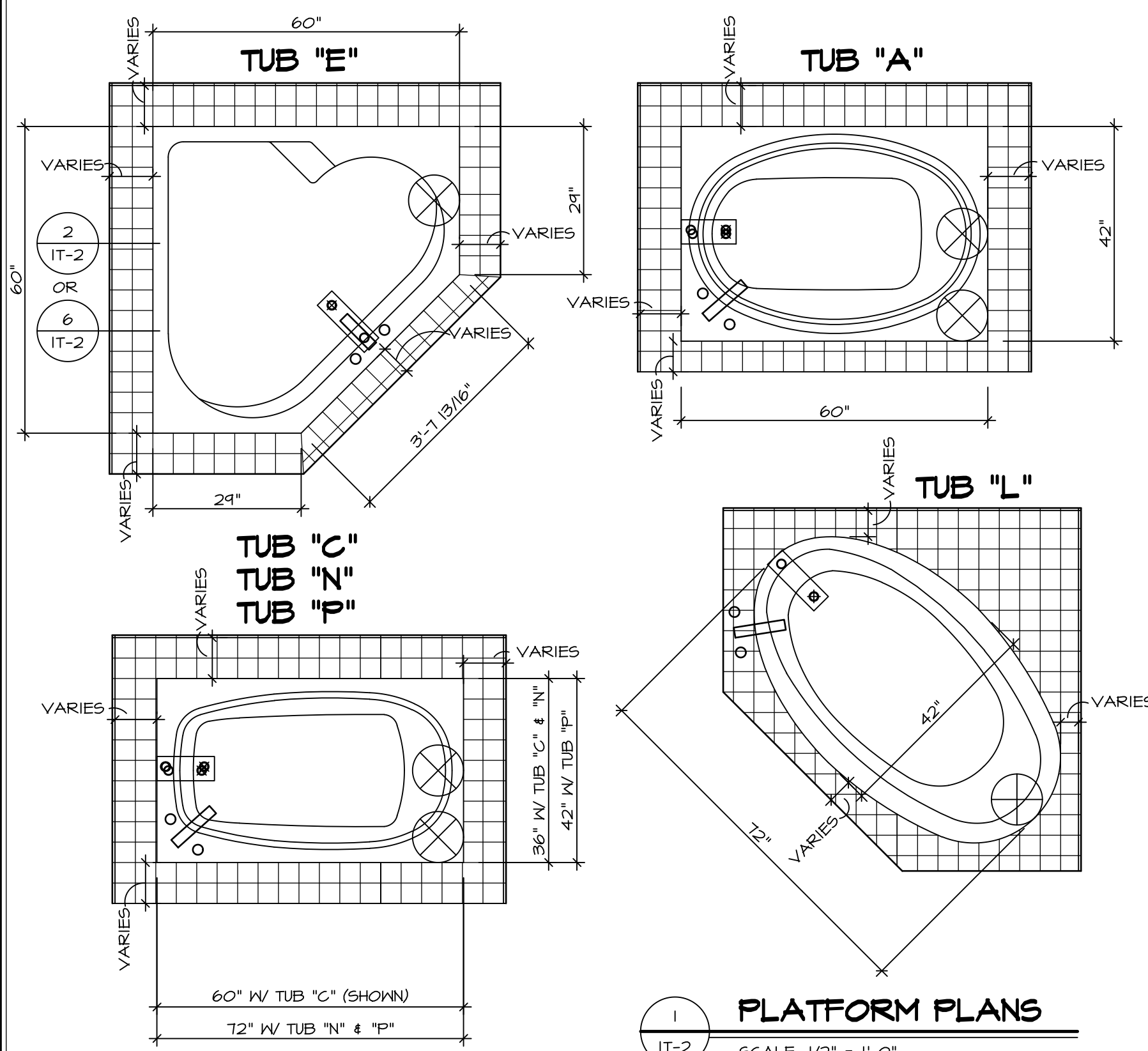
POWDER ROOM
SCALE: 1/4" = 1'-0" (D)

- NOTES:**
1. TEMPERED GLASS SHOWER ENCLOSURE WITH SWING DOOR OR OPTIONAL SLIDING DOOR BY DIVISION
 2. TUB ACCESS PANELS PROVIDED AS NEEDED, ALL MATERIALS BY DIVISION
 3. REFER TO SHEET IT-2 FOR TUB AND SHOWER DETAILS.
 4. ALL V5DB24-42 DRAWERS TO BE SET ON RIGHT HAND.
 5. BATH ELEVATIONS ARE SHOWN PER PLAN.

SHEET NO. A-13	MODEL SORRENTO	SET NO. 50R00	REV. NO. 1	DATE 08/05/16	REMARKS
		VERSION 04			
DRAWING TITLE BATH ELEVATIONS	DRAWN BY	DATE:			
		OPTION			
OPTION DESCRIPTION					
26					

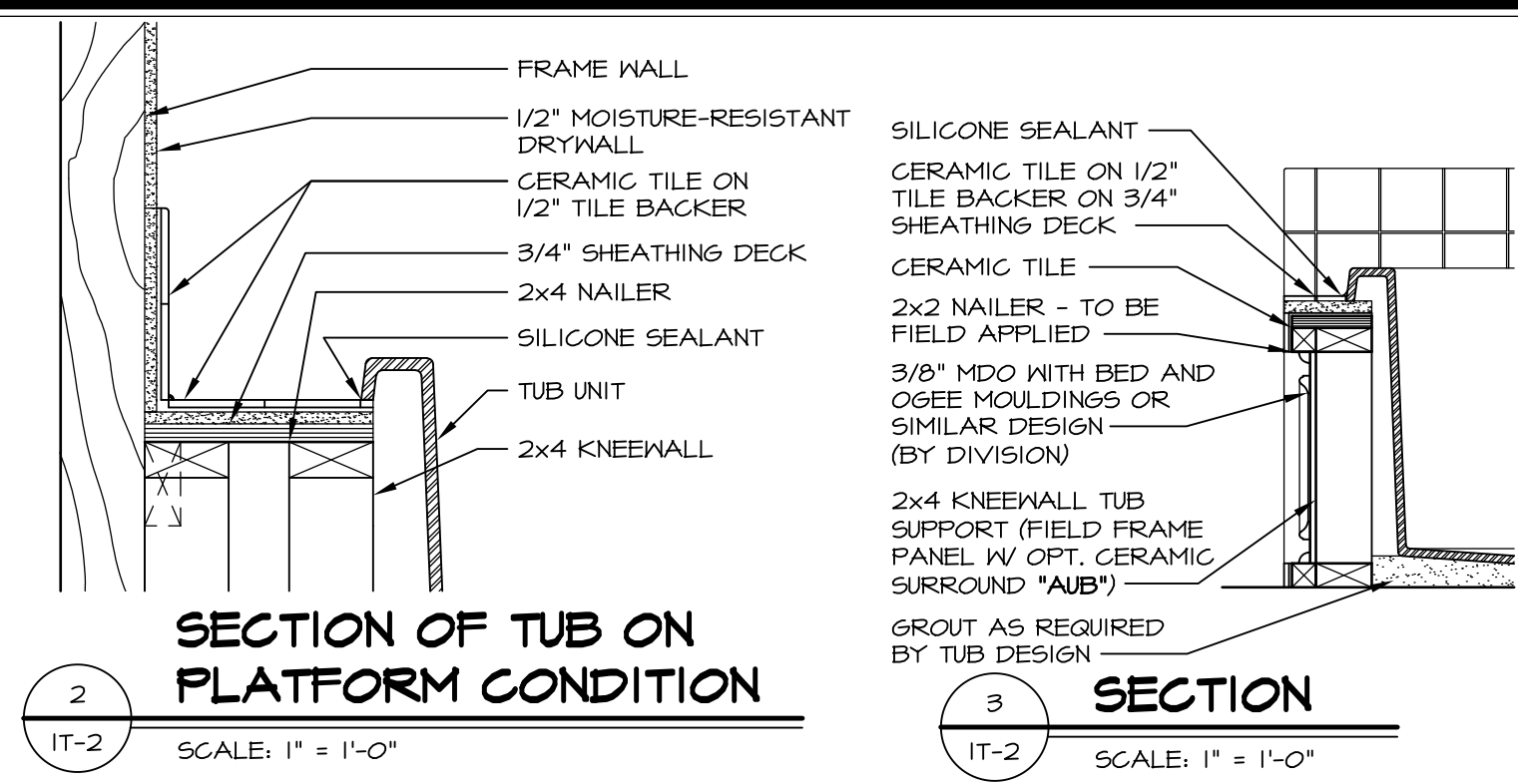
NVR
NVR, Inc.
Architectural Services
Architects
21 Bay View, Suite A
Frederick, MD 21702

NVR, Inc., owner, expressly reserves its copyright in these plans. These plans are not to be reproduced, changed, copied, or otherwise used in any way without the written consent of NVR, Inc.

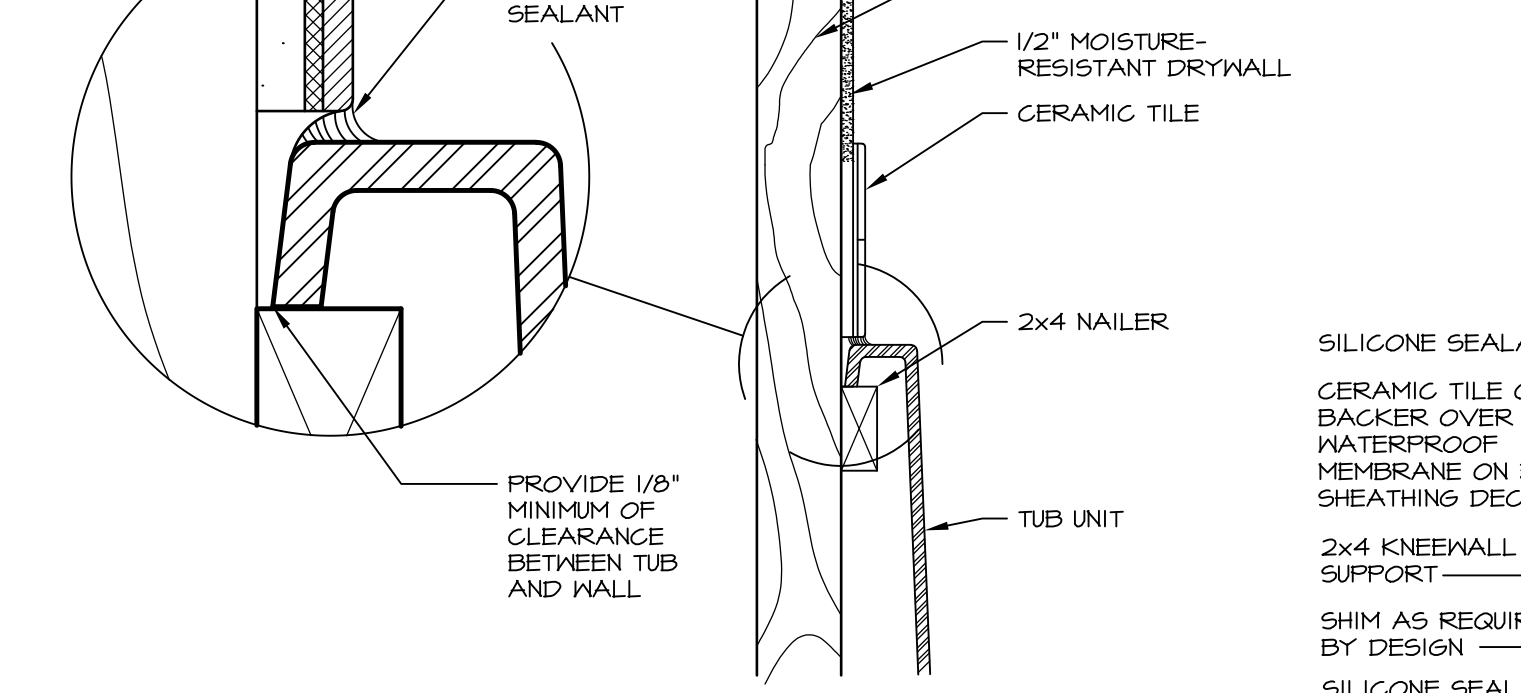


1 PLATFORM PLANS
SCALE: 1/2" = 1'-0"

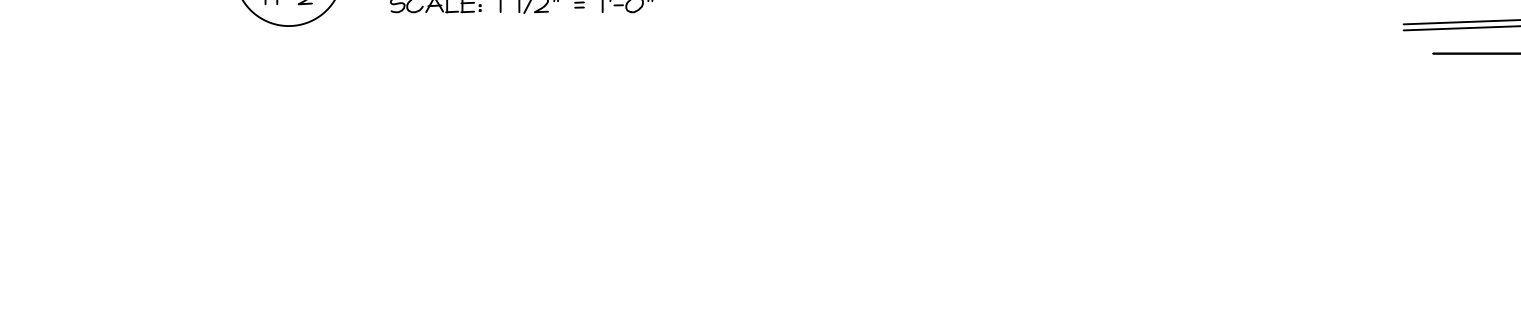
TUB	MANUF.	HEIGHT	WIDTH	LENGTH	TUB DECK PANEL HEIGHT
"A"	KOHLER/STERLING	18 3/4"	42"	60"	17 1/8"
"C"	KOHLER/STERLING	18 3/4"	36"	60"	17 1/8"
"E"	KOHLER/STERLING	19 1/2"	60"	60"	17 7/8"
"L"	KOHLER/STERLING	18 1/2"	42"	72"	16 7/8"
"N"	KOHLER/STERLING	18 3/4"	36"	72"	17 1/8"
"P"	KOHLER/STERLING	18 3/4"	42"	72"	17 1/8"



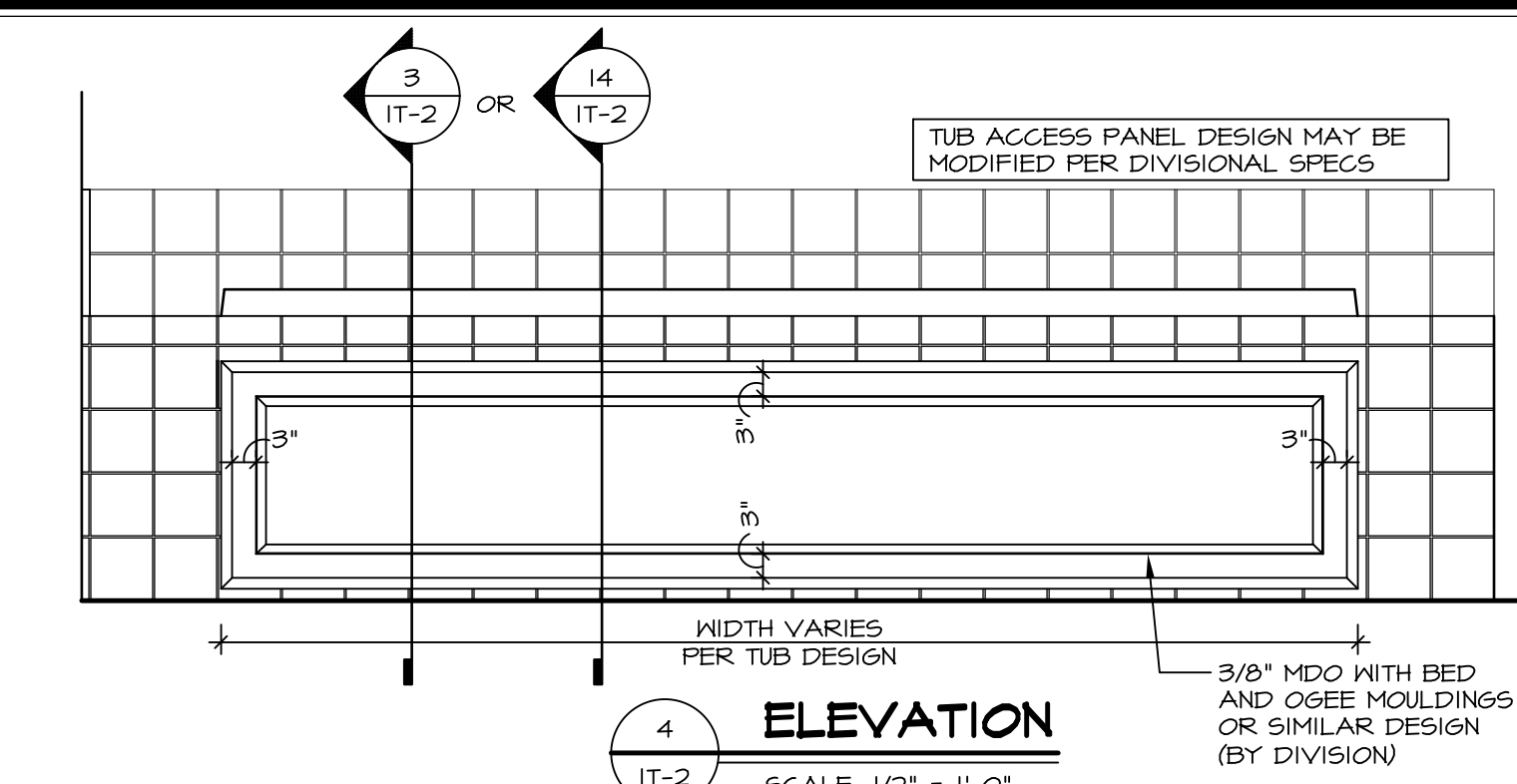
2 SECTION OF TUB ON PLATFORM CONDITION
SCALE: 1" = 1'-0"



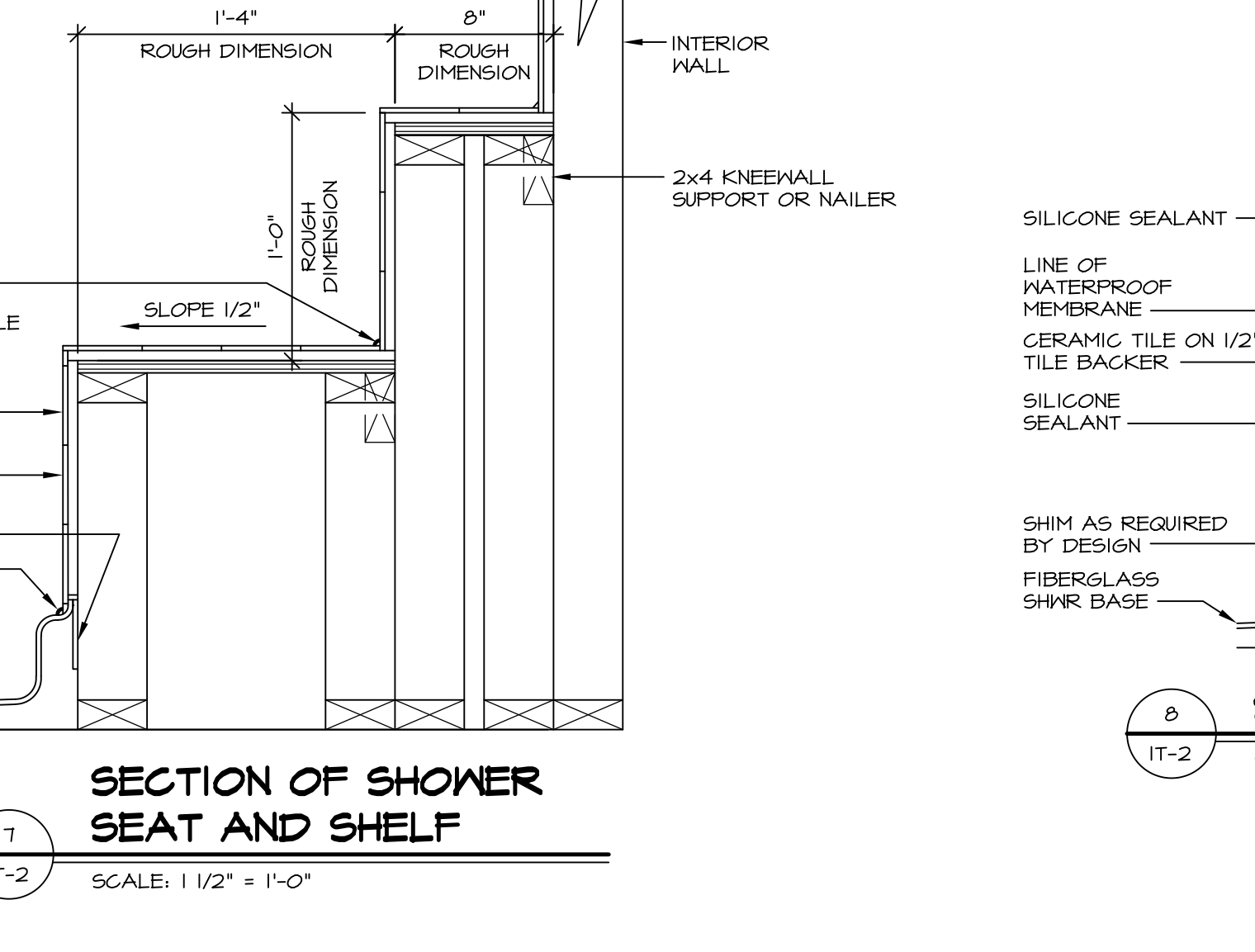
3 SECTION
SCALE: 1" = 1'-0"



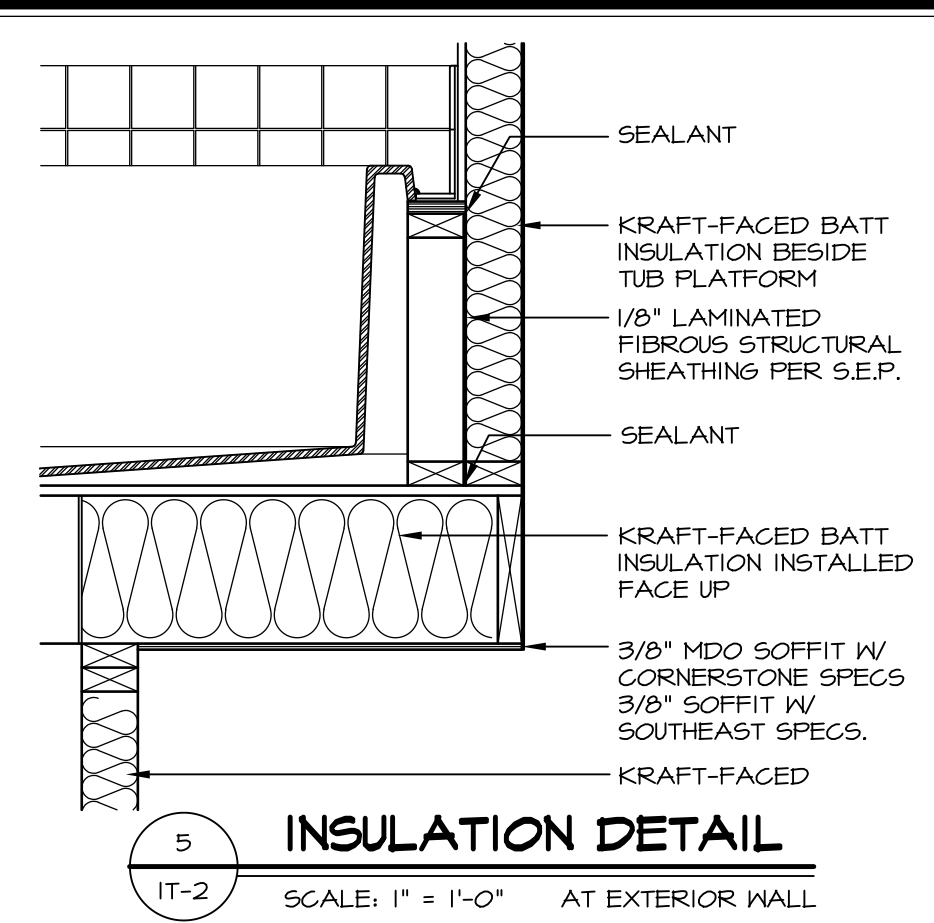
6 SECTION OF TUB TO WALL CONDITION
SCALE: 1 1/2" = 1'-0"



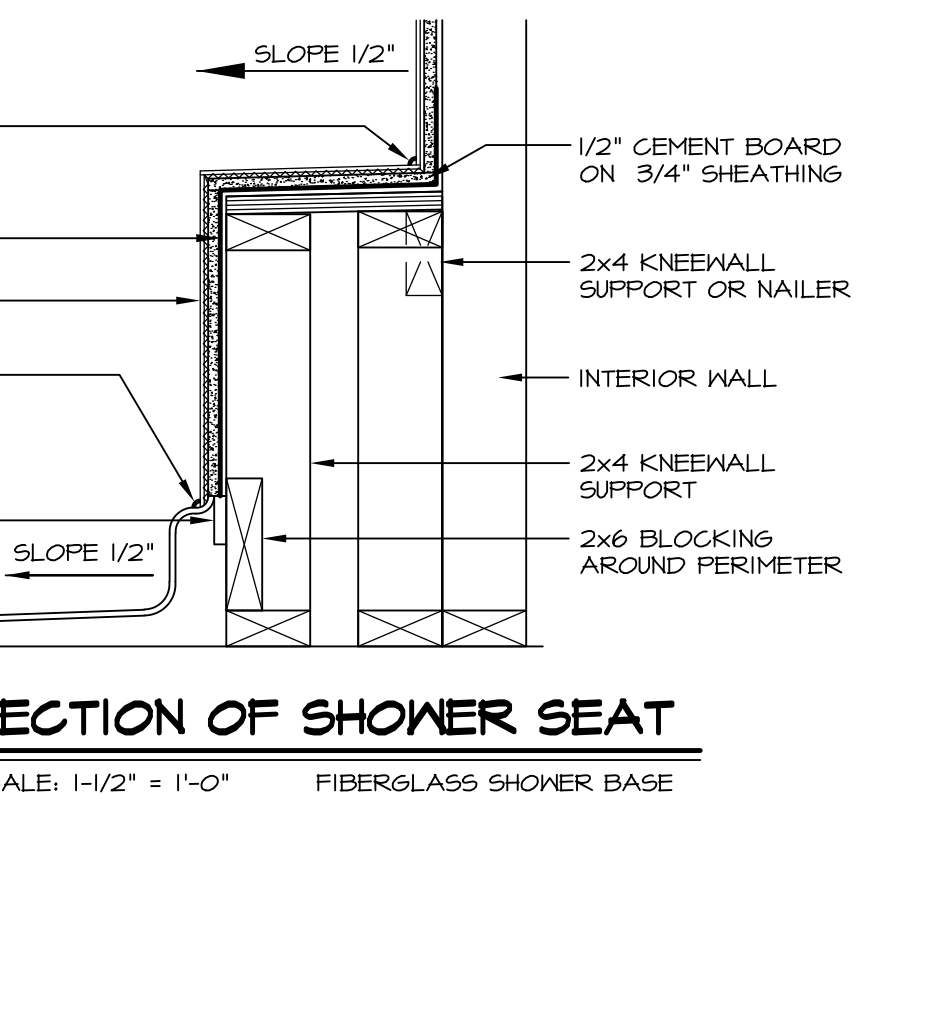
4 ELEVATION
SCALE: 1/2" = 1'-0"



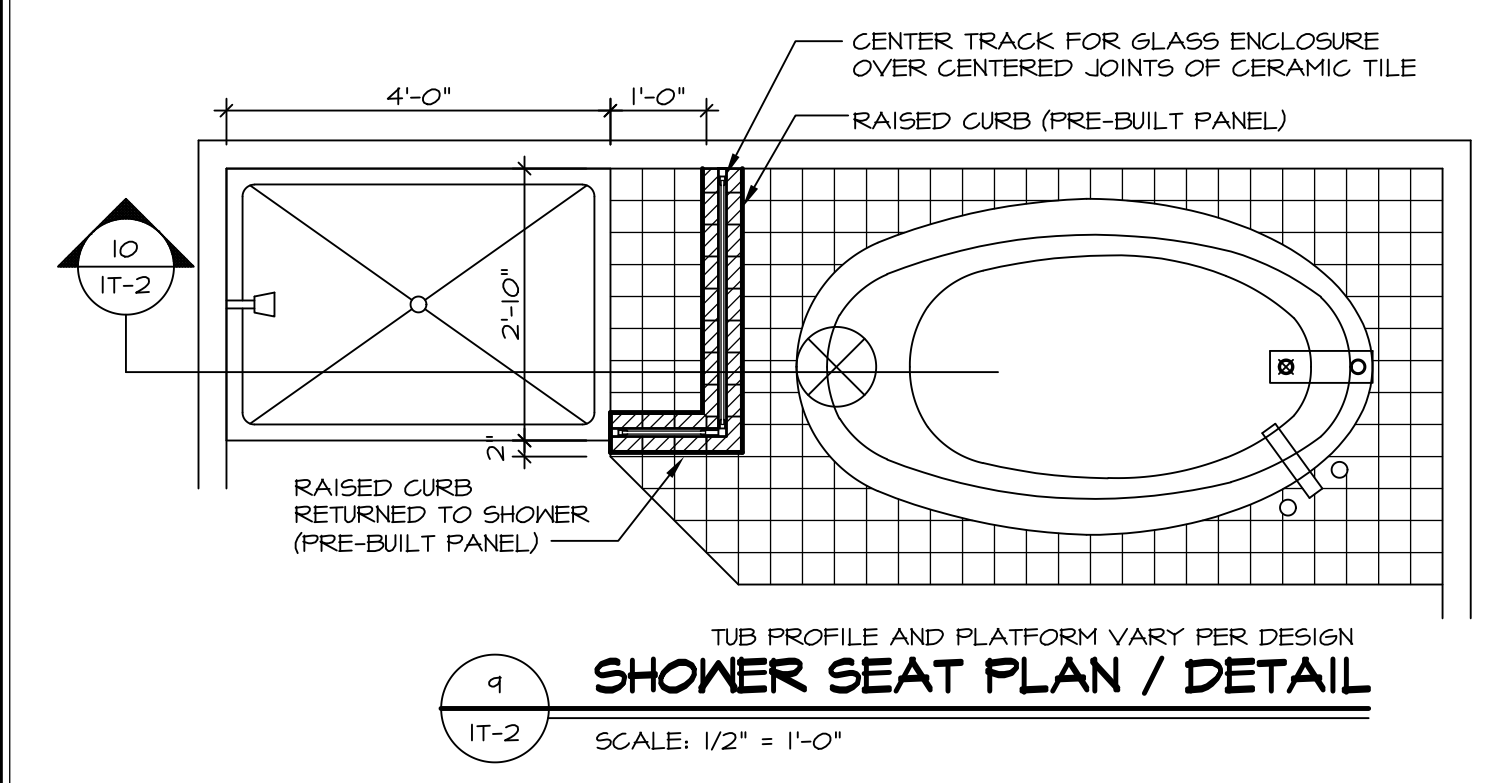
7 SECTION OF SHOWER SEAT AND SHELF
SCALE: 1 1/2" = 1'-0"



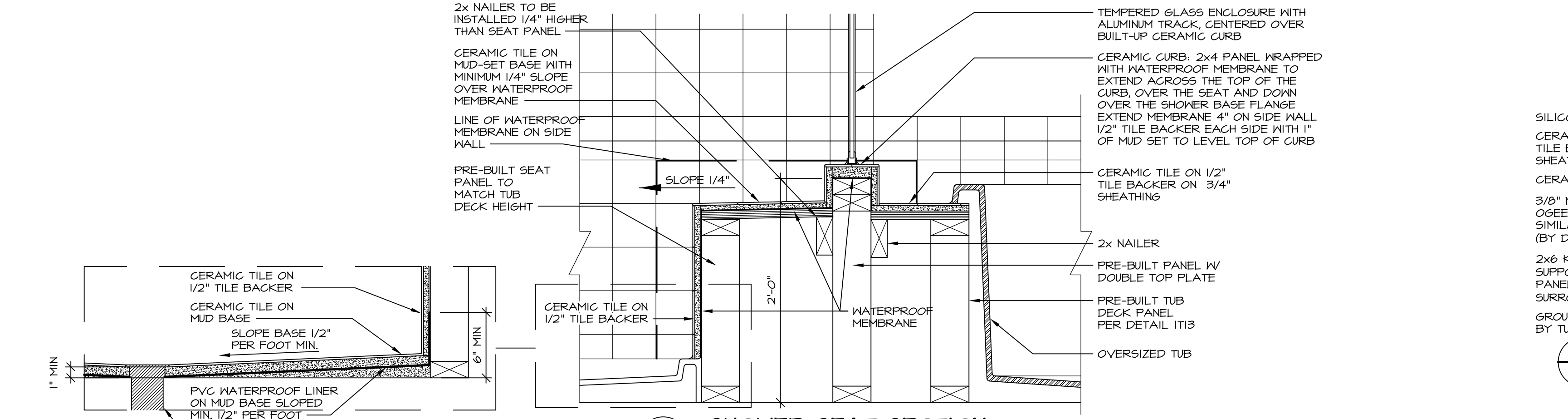
5 INSULATION DETAIL
SCALE: 1" = 1'-0" AT EXTERIOR WALL



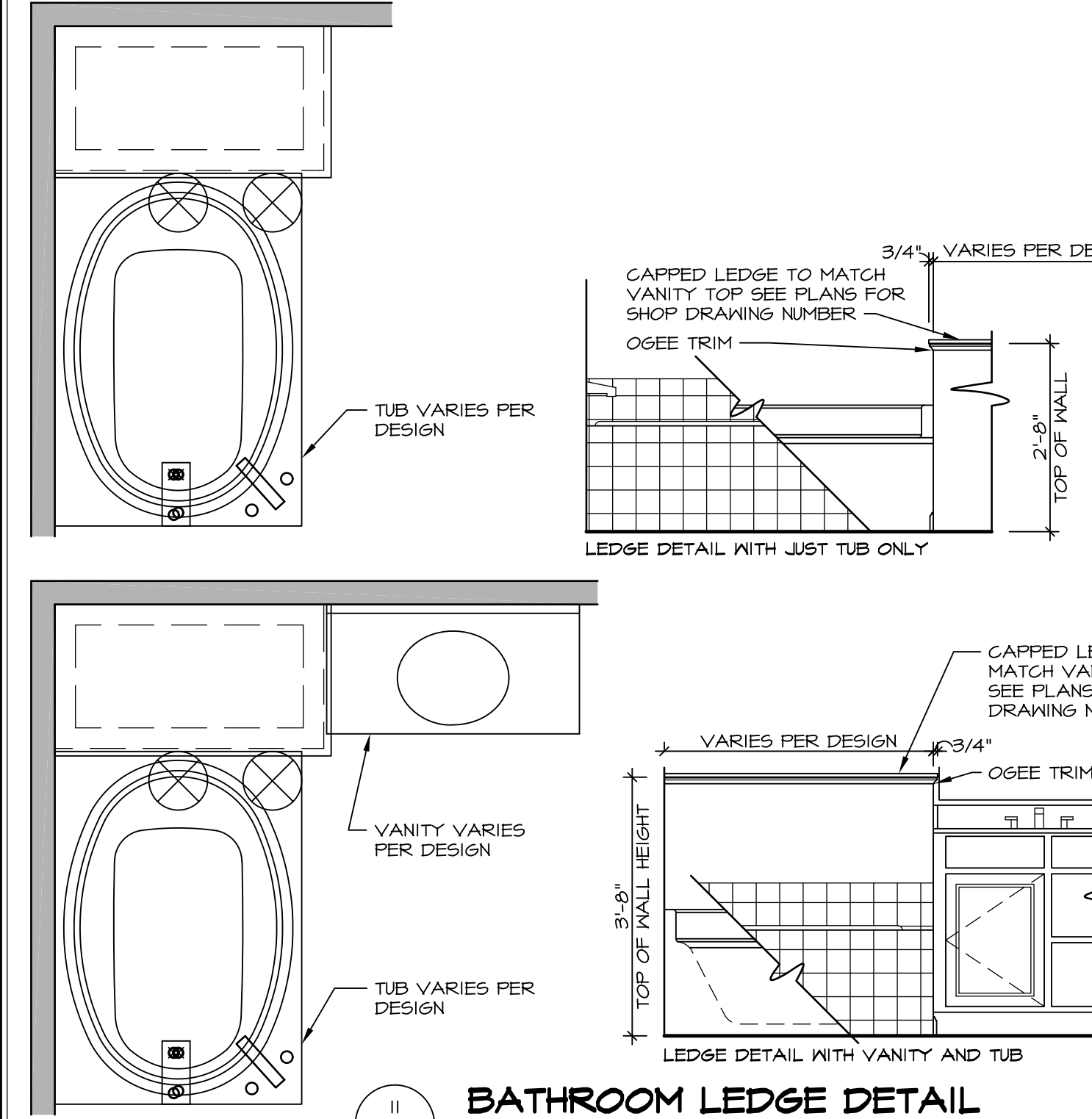
8 SECTION OF SHOWER SEAT
SCALE: 1-1/2" = 1'-0" FIBERGLASS SHOWER BASE



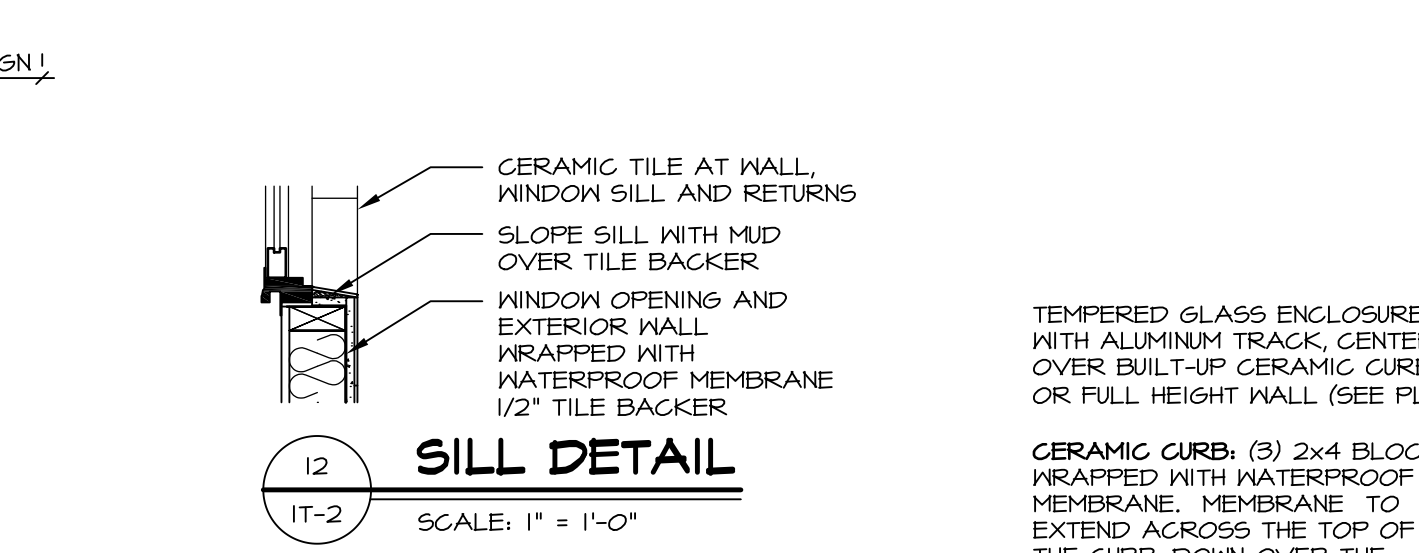
9 SHOWER SEAT PLAN / DETAIL
SCALE: 1/2" = 1'-0"



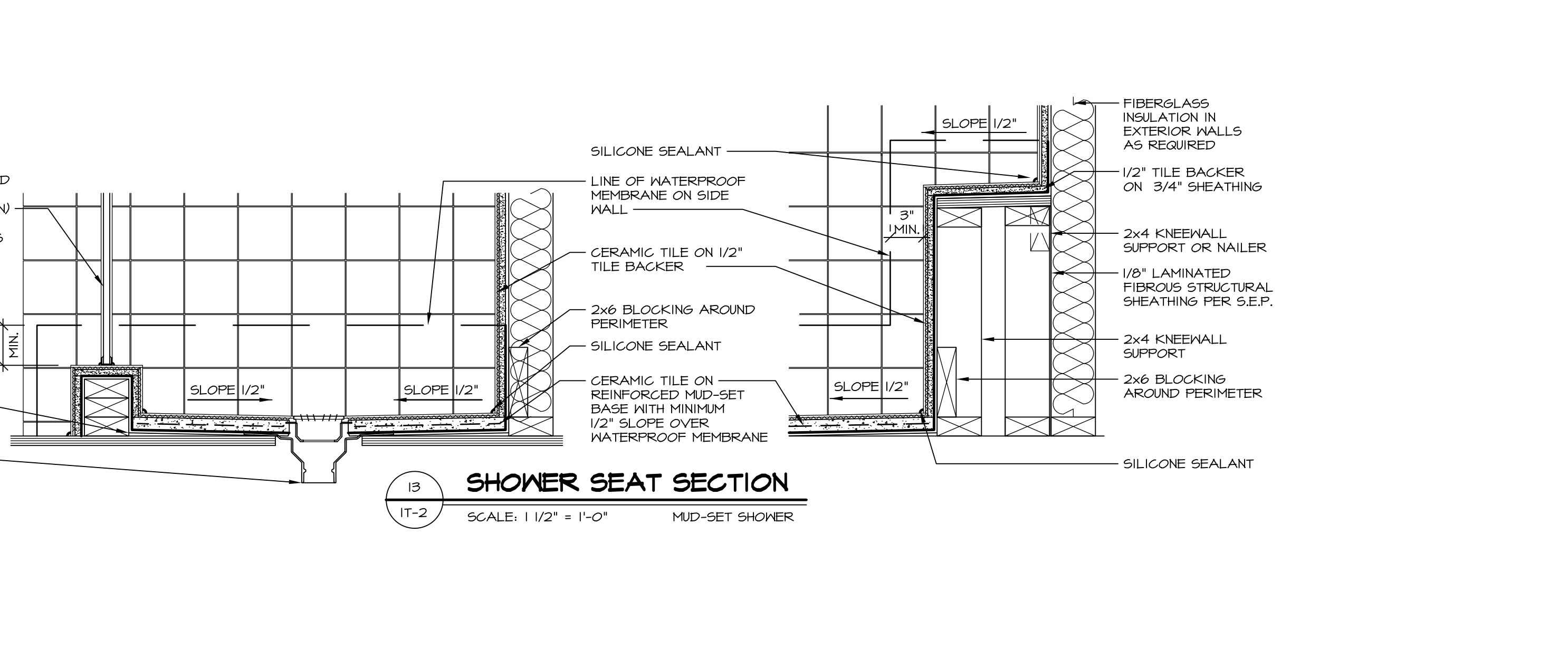
10 SHOWER SEAT SECTION
SCALE: 1-1/2" = 1'-0"



11 BATHROOM LEDGE DETAIL
SCALE: 1/2" = 1'-0"



12 SILL DETAIL
SCALE: 1" = 1'-0"

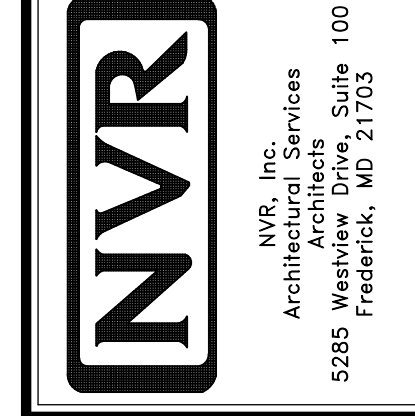


13 SHOWER SEAT SECTION
SCALE: 1 1/2" = 1'-0" MUD-SET SHOWER

REMARKS

REV. NO.	DATE	DESCRIPTION
1	5/11/17	EBP - REVISED DETAIL 1 AND 11 TO REMOVE TUB ACCESS PANEL REF. (DSS #15 5414)
2	9/21/17	EBP - REVISED T-FLY NOTE TO CALL OUT LFS
3	9/21/17	EBP - REVISED NOTE ON DETAIL #1 - REVISED ORDER OF MATERIAL PARA#4934

NVR, Inc., owner, expressly reserves its common law copyright and other property rights in these plans. These plans are not to be reproduced, stored in a retrieval system, or transmitted in any form or by any means, electronic, mechanical, photocopying, recording, or by any information storage and retrieval system, without first obtaining the expressed written consent of NVR, Inc.

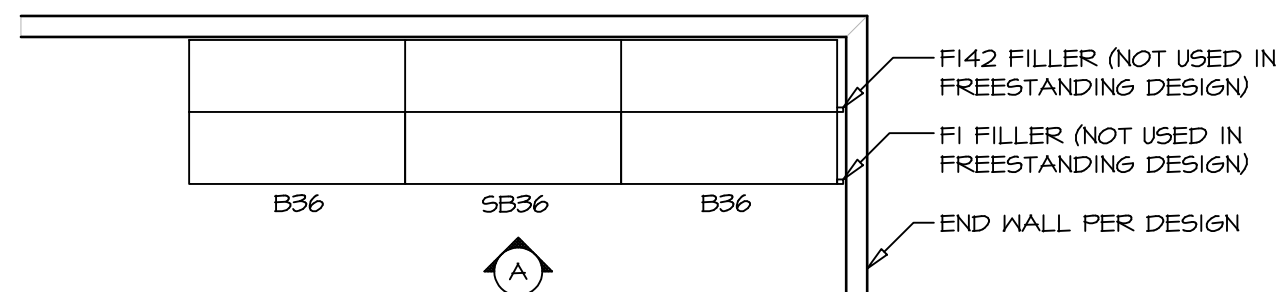


SET NO.	VERSION	DATE	OPTION
1	1		

MODEL: STANDARD DETAILS
DRAWING TITLE: INTERIOR TRIM DETAILS
BATH DETAILS
OPTION DESCRIPTION

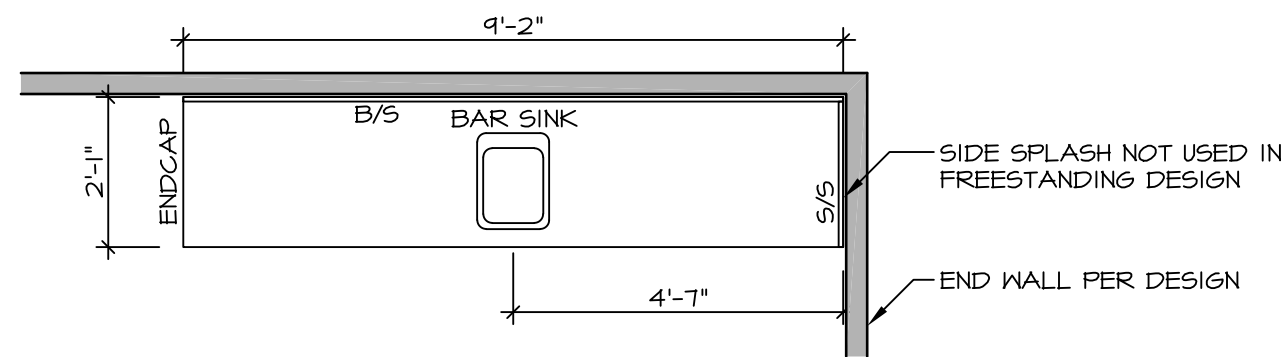
SHEET NO. IT-2

NOTE:
REVIEW HOUSE SPECIFIC
PLANS FOR LOCATION
AND HANDING



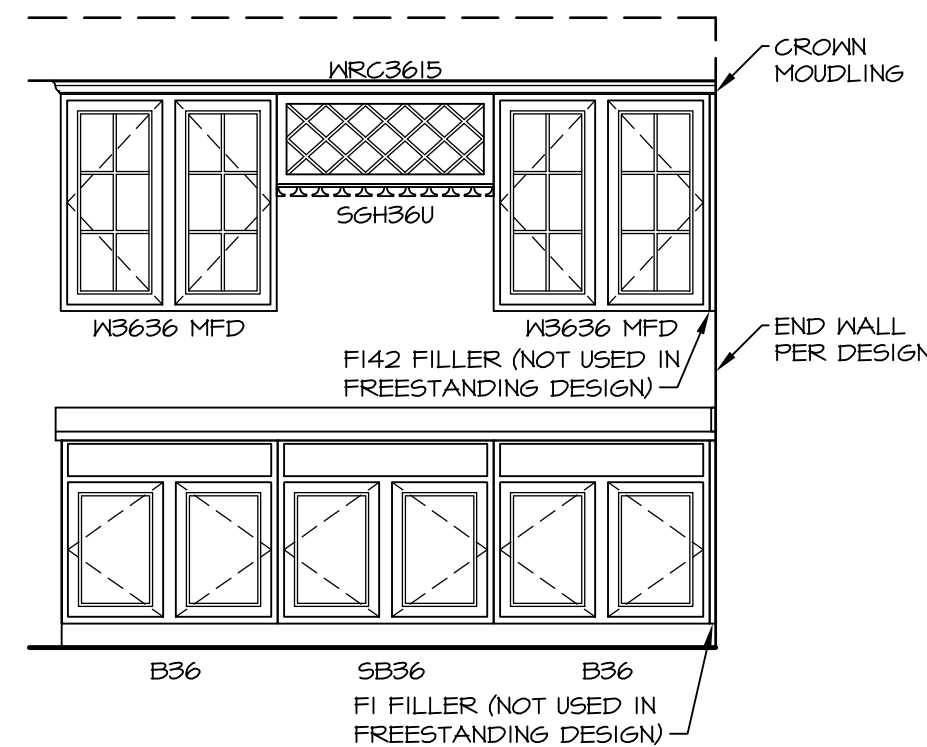
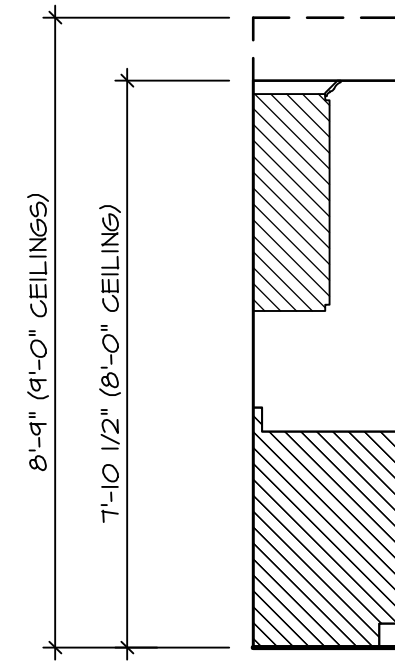
**KITCHEN CABINET
PLAN KC - 1900**

2
IT-3b SCALE: 3/8" = 1'-0"

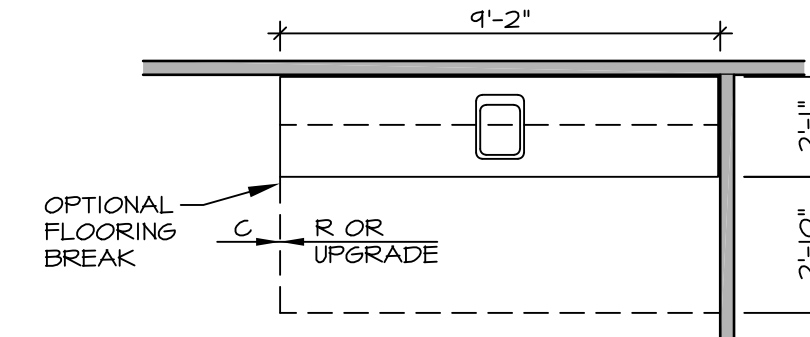


**KITCHEN COUNTERTOP
PLAN KT - 1900**

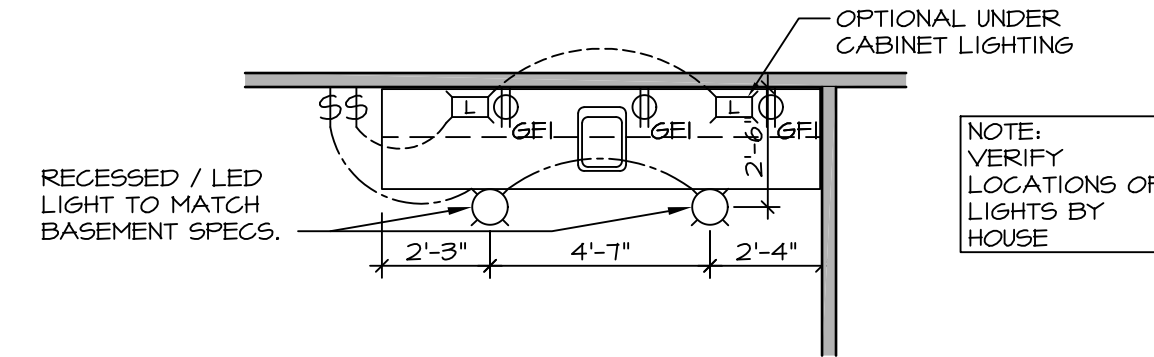
6
IT-3b SCALE: 3/8" = 1'-0"



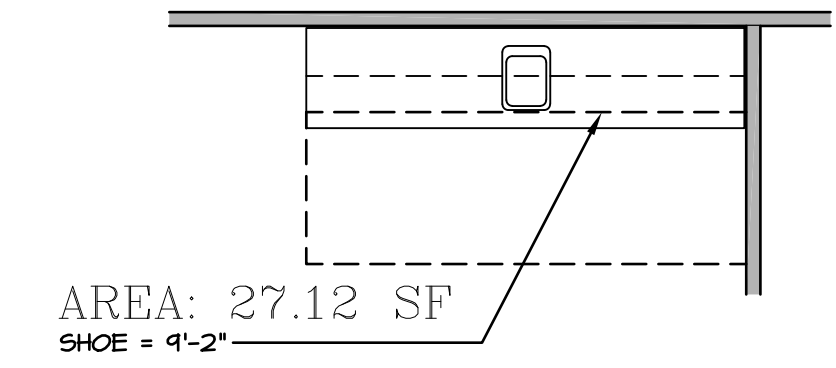
3
IT-3b **ELEVATION "A"**
SCALE: 3/8" = 1'-0"



4
IT-3b **FLOOR PLAN**
SCALE: 1/4" = 1'-0"



7
IT-3b **FLOOR PLAN ELECTRICAL LAYOUT**
SCALE: 1/4" = 1'-0"



5
IT-3b **FLOORING PLAN**
SCALE: 1/4" = 1'-0"

1
IT-3b **WET BAR DETAILS**
SCALE: VARIES * SHOWN AS END WALL DESIGN

REV. NO.	DATE	REMARKS
1	5/17/17	56A - REVISED FLOOR PLAN DIMENSIONS TO MATCH COUNTERTOP DIMENSIONS
2	5/23/17	56A - REMOVED COUNTERTOP INFORMATION FROM 2/IT-3b
3	6/5/17	56A - REMOVED U.C. REF. AND TURNED OFF FLOORING SPACES
4	9/14/17	EBP - ADDED NOTE TO RECESSED LIGHT / LED LIGHT IN NET BAR

SET NO.	VERSION	DATE	OPTION

NVR
Architectural Services
5285 West Annapolis Avenue, Suite 100
Frederick, MD 21703

MODEL	STANDARD DETAILS
DRAWING TITLE	INTERIOR TRIM DETAILS
OPTION DESCRIPTION	WET BAR DETAILS - BACK BAR (RYAN ONLY)