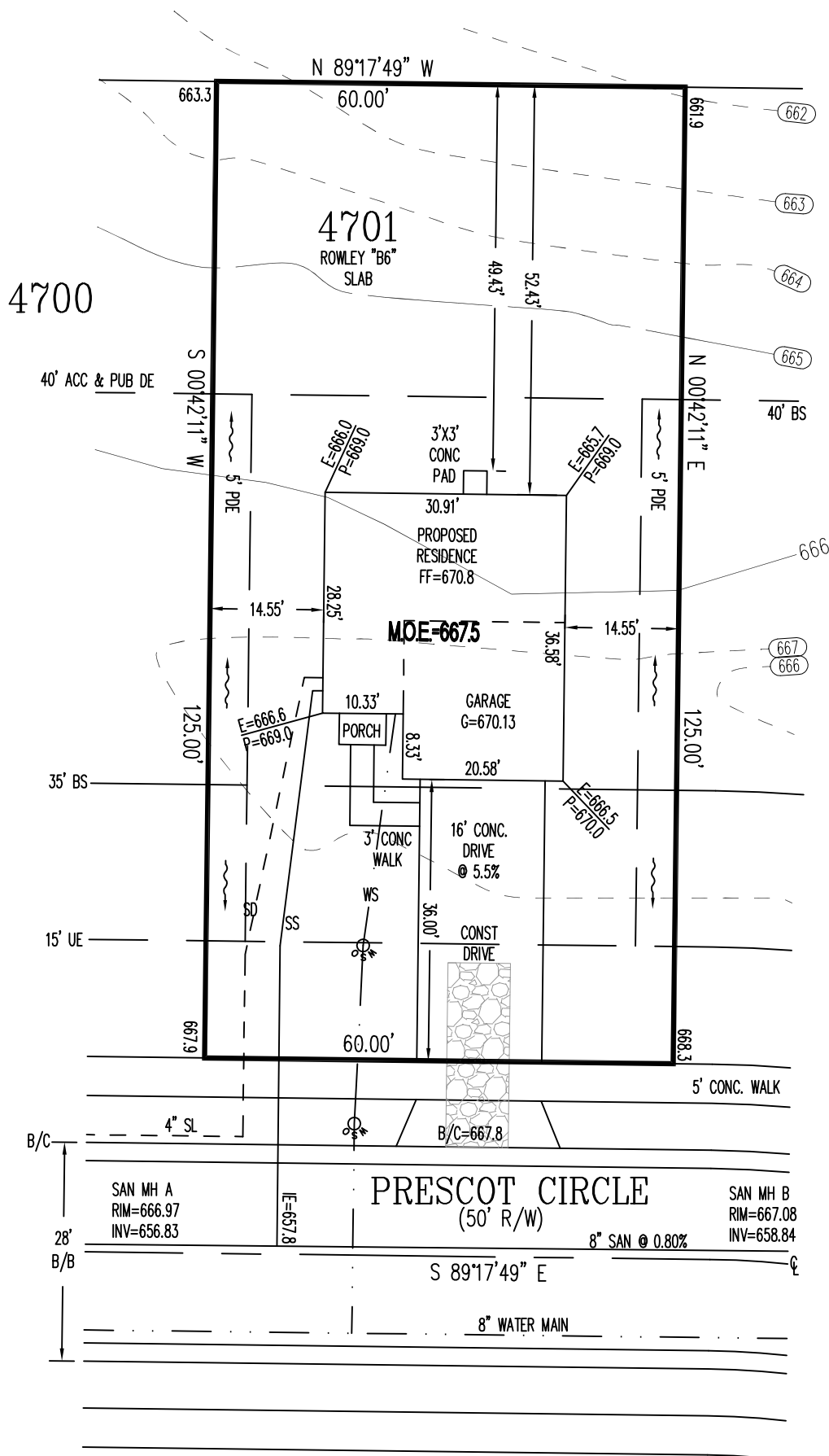
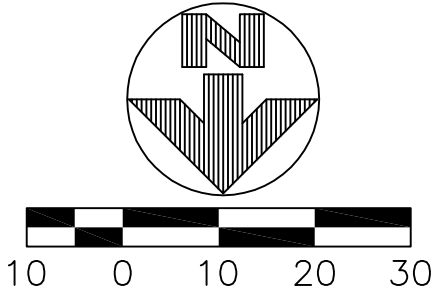


PLOT PLAN
 LOT 4701 (7,500 SF) 0.1722 AC.
 CENTENNIAL RUN, SECTION THREE, BLK "B"
 SECTION 31, TOWN 2, RANGE 4
 CITY OF TRENTON BUTLER COUNTY, OHIO
 FOR: CRISTO HOMES

JUST ASK MISSY RESIDENCE
 809 PRESCOT CIRCLE

SETBACKS
 FRONT=35'
 REAR=40'
 SIDE=6'/15' TOTAL



MS=661.73
 MOE=667.5
 BASEMENT
 NOT
 PERMITTED

4702

INFORMATION FROM CONSTRUCTION DRAWINGS.

CONTRACTOR IS TO VERIFY LOCATION AND DEPTH OF WATER AND UTILITY SERVICES BEFORE CONSTRUCTION.

ALL ELEVATIONS ARE EXISTING UNLESS SPECIFIED WITH AN "E" FOR EXISTING OR A "P" FOR PROPOSED.

UNLESS F.F.E., M.O.E. OR M.B.E. ARE FIELD VERIFIED BY AN ENGINEERING FIRM, CONTRACTOR TAKES FULL RESPONSIBILITY FOR THE FINISH FLOOR ELEVATION.

A STANDARD FORMULA WAS USED TO DETERMINE FINISH FLOOR GRADE. FINAL FINISH FLOOR ELEVATION IS CONTRACTOR'S RESPONSIBILITY.

PRIOR TO CONSTRUCTION, A GEOTECHNICAL REPORT SHALL BE OBTAINED BY THE BUILDER. APEX ASSUMES NO RESPONSIBILITY FOR SOIL CONDITIONS.

BUILDER SHALL PROVIDE POSITIVE DRAINAGE AROUND AND AWAY FROM HOUSES.

APEX ENGINEERING & SURVEYING INC. ADVISES AGAINST HOLDING THE MINIMUM REQUIRED DISTANCE ON ANY AND ALL SETBACKS, FRONT, REAR, AND SIDES. THE BUILDER ASSUMES ALL RESPONSIBILITIES FOR ANY BUILDING ENCROACHMENTS THAT MAY OCCUR.

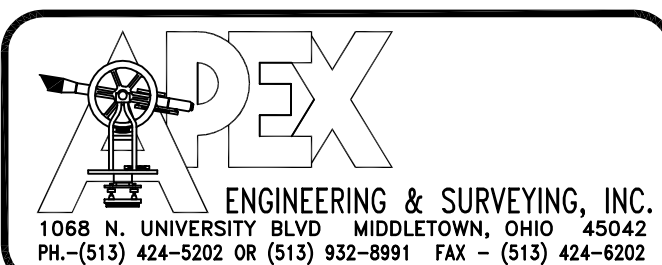
QUANTITIES

TOTAL LOT AREA	7500	sq. ft.
CITY WALK	220	sq. ft.
HOUSE WALK	49	sq. ft.
DRIVE	656	sq. ft.
APRON	111	sq. ft.
PATIO AND PORCHES	33	sq. ft.
DECK	-	sq. ft.
SEEDING AREA	6006	sq. ft.

TOPOGRAPHY FROM FIELD LOCATIONS, DATED DECEMBER 2019. MAY NOT REFLECT CURRENT CONDITIONS.



SCALE: 1"=20'
 DATE: 07-09-20
 DRAWN: JLL
 DESIGNED:
 CHECKED: KRC

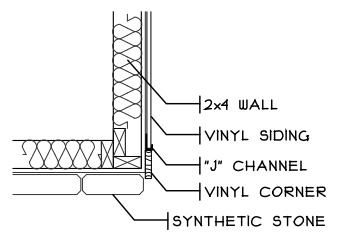


REVISIONS:

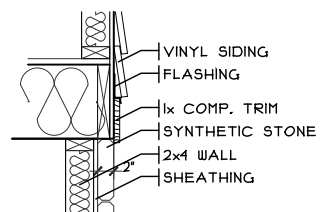
- 1.
- 2.
- 3.
- 4.

PROJECT: CENTENNIALRUN
 DRAWING: 201488PA

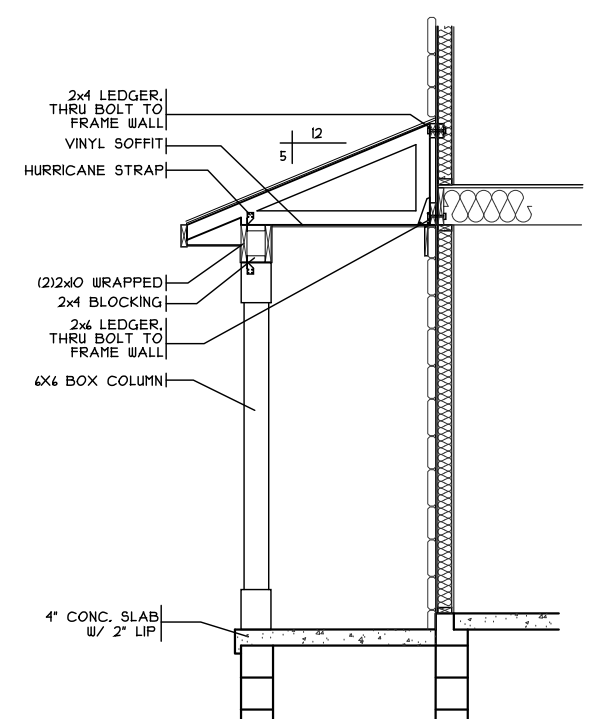
SHEET
 1 OF 1



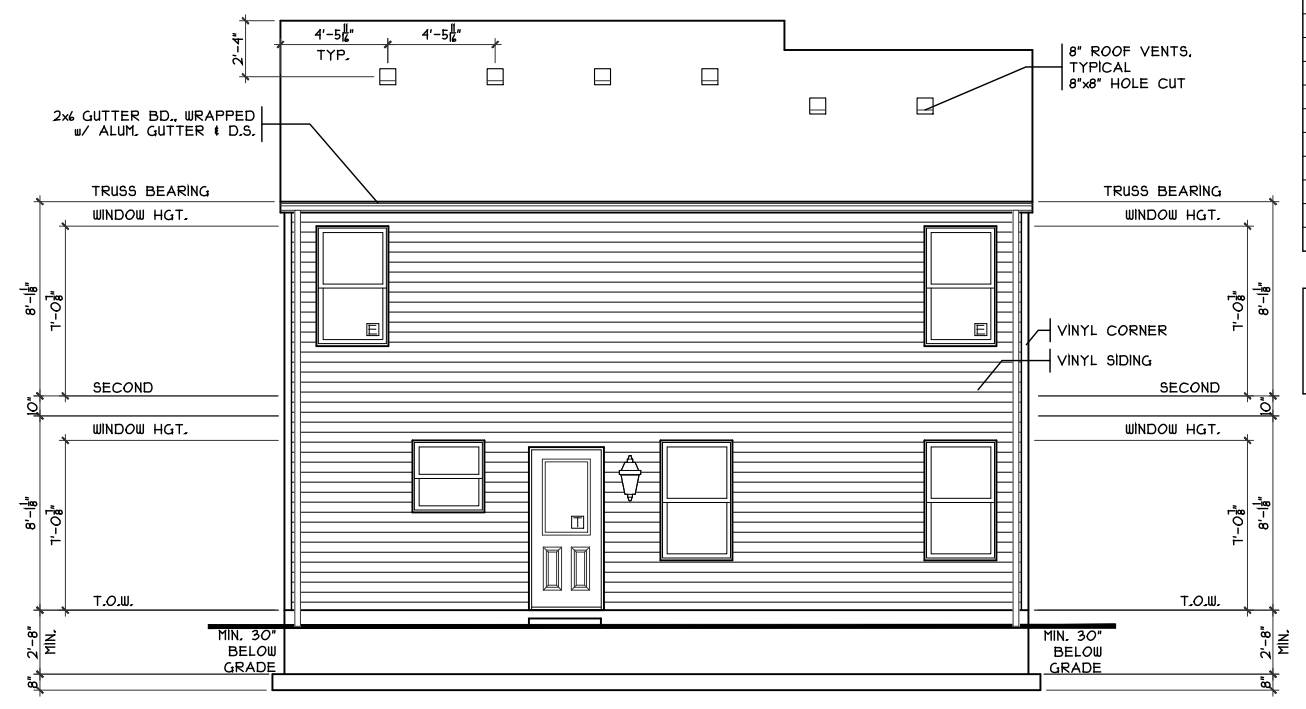
STONE/VINYL CORNER
SCALE: 1" = 1'-0"



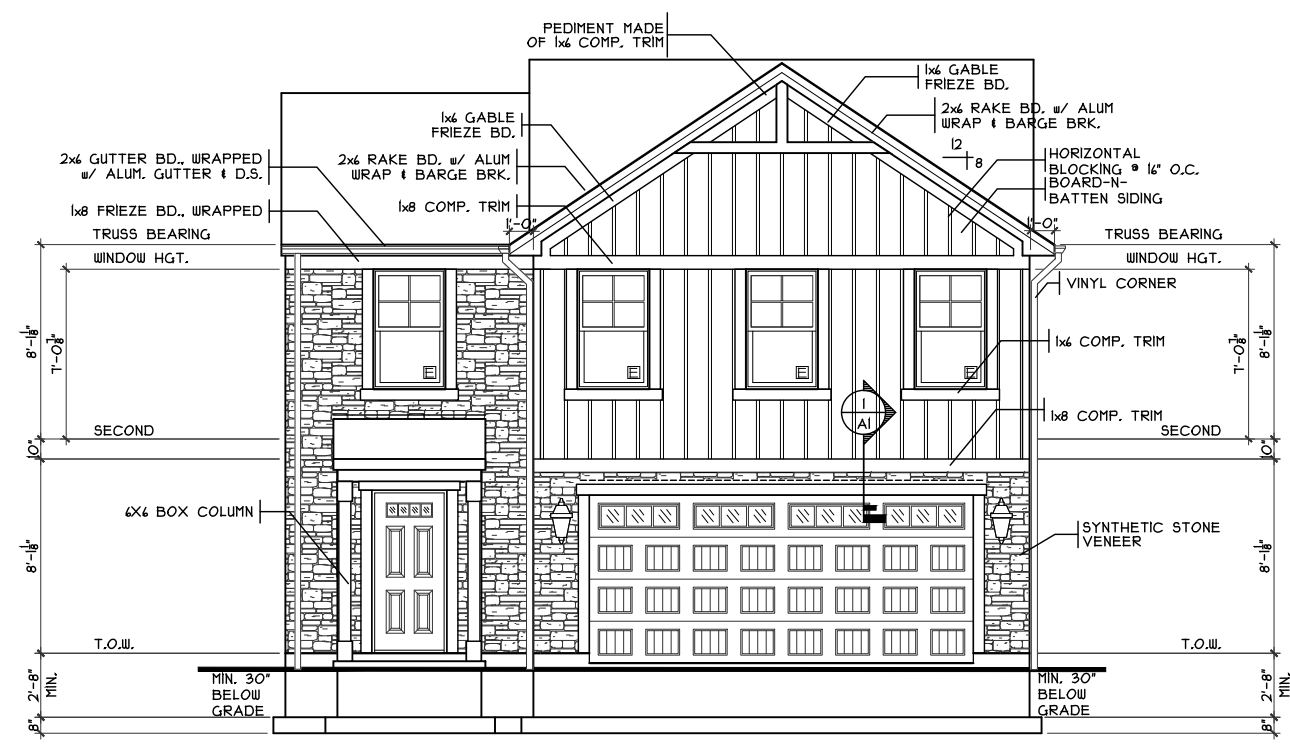
STONE DETAIL
SCALE: 1/2" = 1'-0"



PORCH DETAIL
SCALE: 1/4" = 1'-0"



REAR ELEVATION
SCALE: 1/8" = 1'-0"

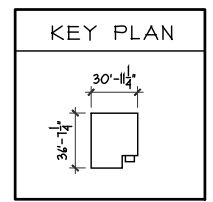


FRONT ELEVATION
SCALE: 1/8" = 1'-0"

SHEET INDEX	
SHT#	DESCRIPTION
A1	Front and Rear Elevations
A1a	Left and Right Elevations
A2	Foundation Plan
A3	First Floor Plan
A3a	Portal Framing Detail
A4	Second Floor Plan
A5	Typical Wall Sections/Stair Section
A6	Typical Framing Details (Aluminum)
G1	General Notes

NOTE:
PLANS PRINTED ON 24x36 SHEETS TO BE SCALABLE AT FULL SCALE, 1/4" = 1'-0"
PLANS PRINTED ON 11x17 SHEETS TO BE SCALABLE AT HALF SCALE, 1/8" = 1'-0"

2S1653B4 PLAN INFO	
4	BDRMS
2.5	BATHS
2	CAR GARAGE
8	1ST FLR. CLG.
SQUARE FOOTAGE	
TOTAL	1653
UPPER	632
LOWER (SLAB)	558
GARAGE (SLAB)	318



OPTIONS

CR-4701

Proposed Residence:
Just Ask Missy LLC
809 Prescott Circle
Centennial Run Lot #4701

Rowley Slab - B6 - Vinyl

Issue Dates

Review

Cristo Homes reserves all property rights in these plans. These plans are not to be reproduced, changed, or copied in any manner. They are not to be given to a third party, either in full or in part, without first receiving written permission from Cristo Homes. In the event these plans are used by a third party, Cristo Homes shall be held harmless.

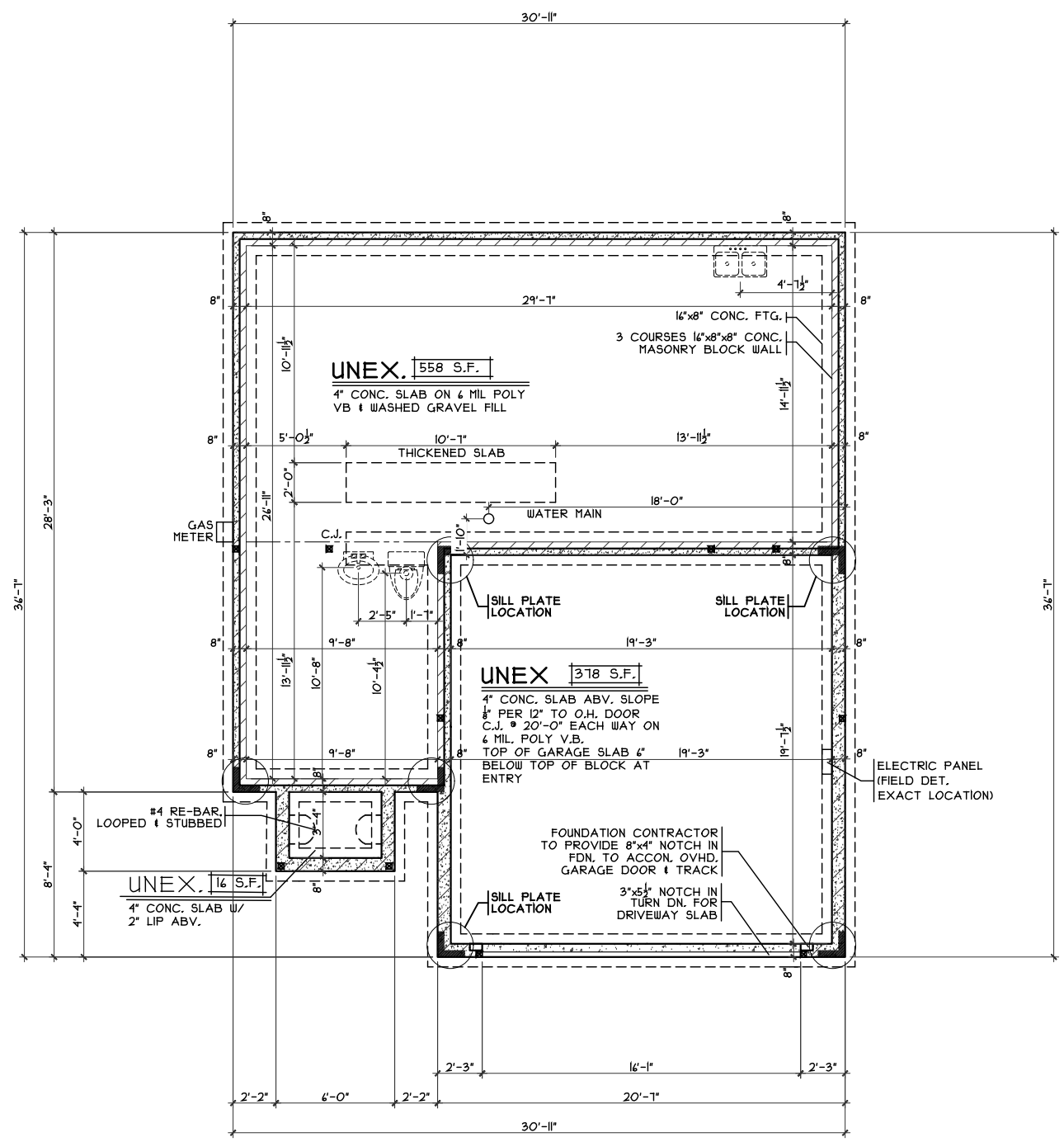
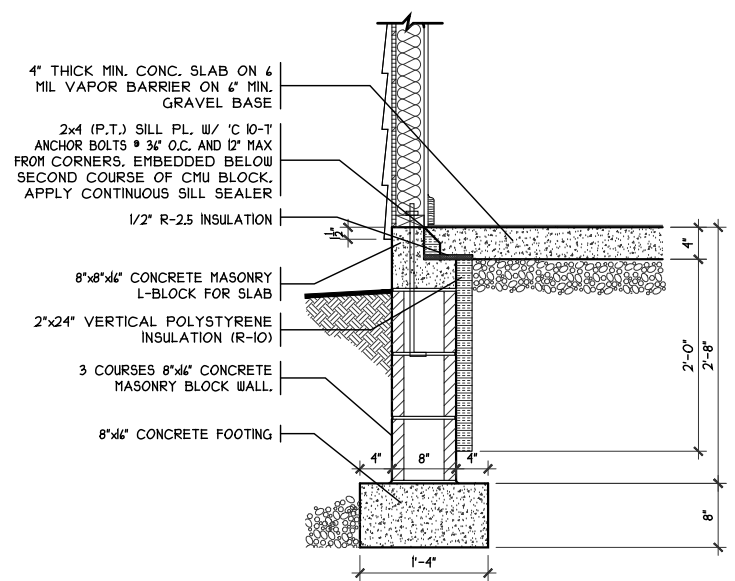
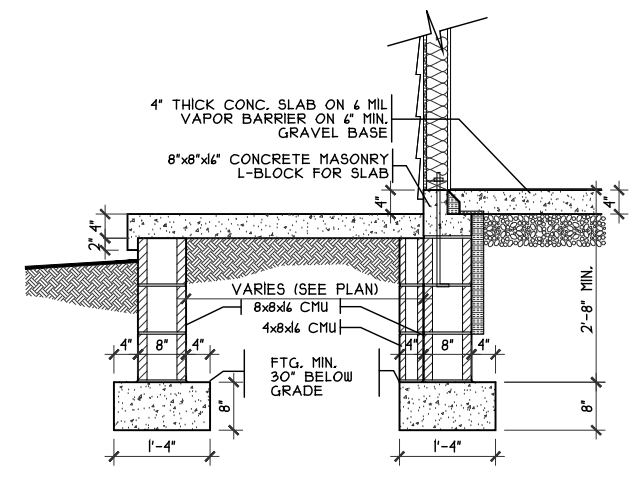
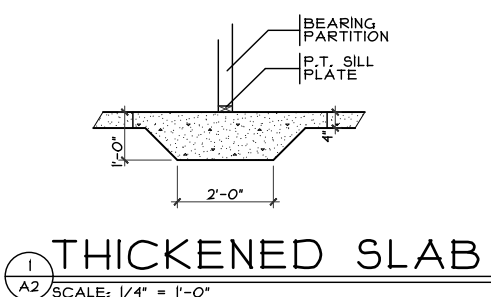
Trenton
Butler County

Front And Rear Elevations

Plan: Rowley Slab
Date: 6/26/20
Drawn: KMA
Scale: As Noted
Revised: 7/9/20
Sheet: 1 of 10

CRISTO HOMES
7594-A Tylers Place Blvd.
West Chester, OH 45069
513.795.0570 www.cristohomes.com

A1



OPTIONS

Foundation Plan
Plan: Rowley Slab
Date: 6/26/20
Drawn: KMA
Scale: As Noted
Revised: 7/9/20
Sheet: 3 of 10

Proposed Residence:
Just Ask Missy LLC
809 Prescott Circle
Centennial Run Lot #4701

CR-4701

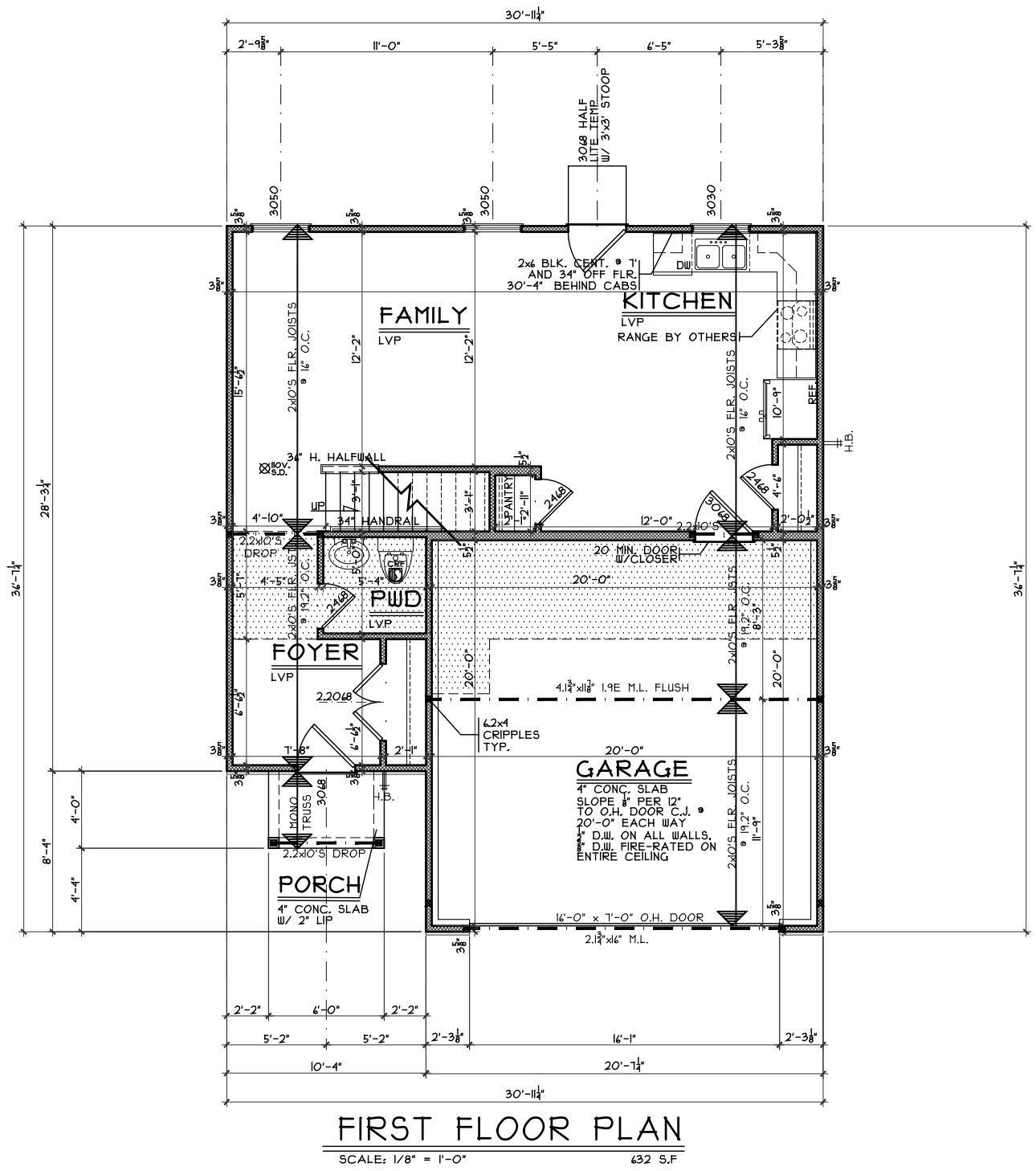
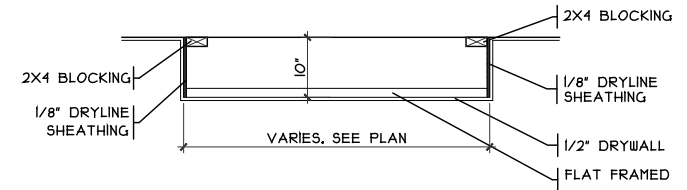
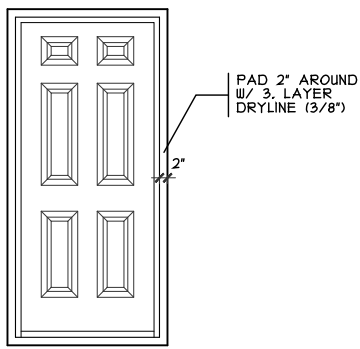
Rowley Slab - B6 - Vinyl

Cristo Homes reserves all property rights in these plans. These plans are not to be reproduced, changed, or copied in any manner. They are not to be given to a third party, either in full or in part, without first receiving written permission from Cristo Homes. In the event these plans are used by a third party, Cristo Homes shall be held harmless.

Trenton
Butler County

CRISTO HOMES
7594-A Tylers Place Blvd.
West Chester, OH 45069
513.755.0570 www.cristohomes.com

A2



OPTIONS

CR-4701

Proposed Residence:
Just Ask Missy LLC
809 Prescott Circle
Centennial Run Lot #4701

Rowley Slab - B6 - Vinyl

Cristo Homes reserves all property rights in these plans. These plans are not to be reproduced, changed, or copied in any manner. They are not to be given to a third party, either in full or in part, without first receiving written permission from Cristo Homes. In the event these plans are used by a third party, Cristo Homes shall be held harmless.

Issue Dates

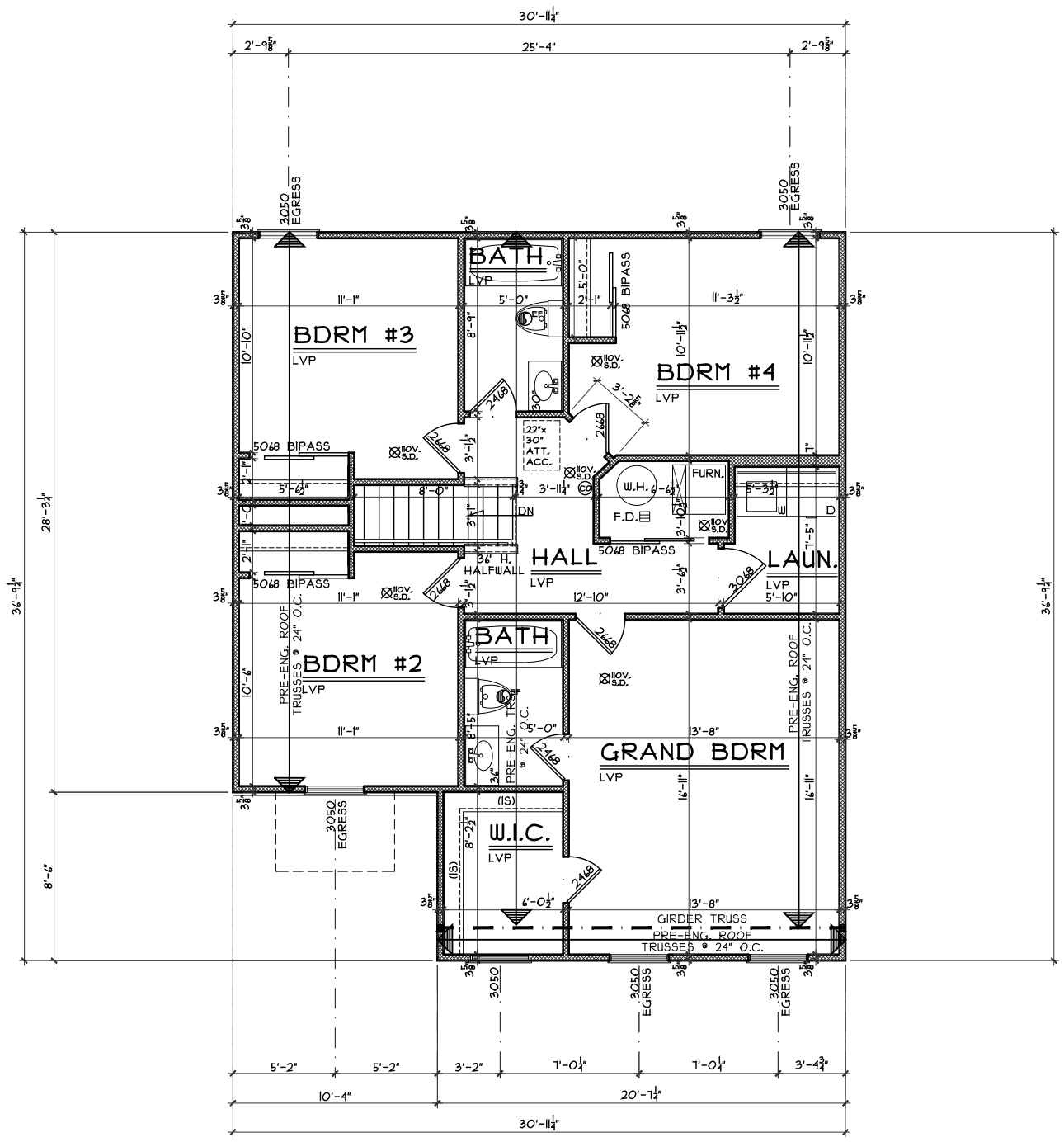
Review	

First Floor Plan
Plan: Rowley Slab
Date: 6/26/20
Drawn: KMA
Scale: As Noted
Revised: 7/9/20
Sheet: 4 of 10

Trenton
Butler County

CRISTO HOMES
7594-A Tylers Place Blvd.
West Chester, OH 45069
513.755.0570 www.cristohomes.com

A3



SECOND FLOOR PLAN
SCALE: 1/8" = 1'-0" 1021 S.F

OPTIONS

Second Floor Plan

Plan: Rowley Slab
Date: 6/26/20
Drawn: KMA
Scale: As Noted
Revised: 7/9/20
Sheet: 5 of 10



7594-A Tylers Place Blvd.
West Chester, OH 45069
513.755.0570 www.cristohomes.com

CR-4701

Proposed Residence:
Just Ask Missy LLC
809 Prescott Circle
Centennial Run Lot #4701

Rowley Slab - B6 - Vinyl

Cristo Homes reserves all property rights in these plans. These plans are not to be reproduced, changed, or copied in any manner. They are not to be given to a third party, either in full or in part, without first receiving written permission from Cristo Homes. In the event these plans are used by a third party, Cristo Homes shall be held harmless.

Issue Dates

Review	Issue Dates

Trenton
Butler County

A4