

BASEMENT JACK SCHEDULE				
IDENTIFIER	DESCRIPTION	OPTIONS	ENG. NUM.	REMARKS
J001	JACK - (2) 2X4 SPP STUD GRADE		BO1	

LEGEND	
	BEARING WALL
	NON BEARING WALL
	INDICATES BEARING FROM POINT-LOAD ABOVE
	JACKS
	BEAM/HEADER
	PAD FOOTING
	STEEL COLUMN
	PORTAL FRAME
	JOIST/TRUSS
	LVL
	ENGINEERING PAGE NUMBER

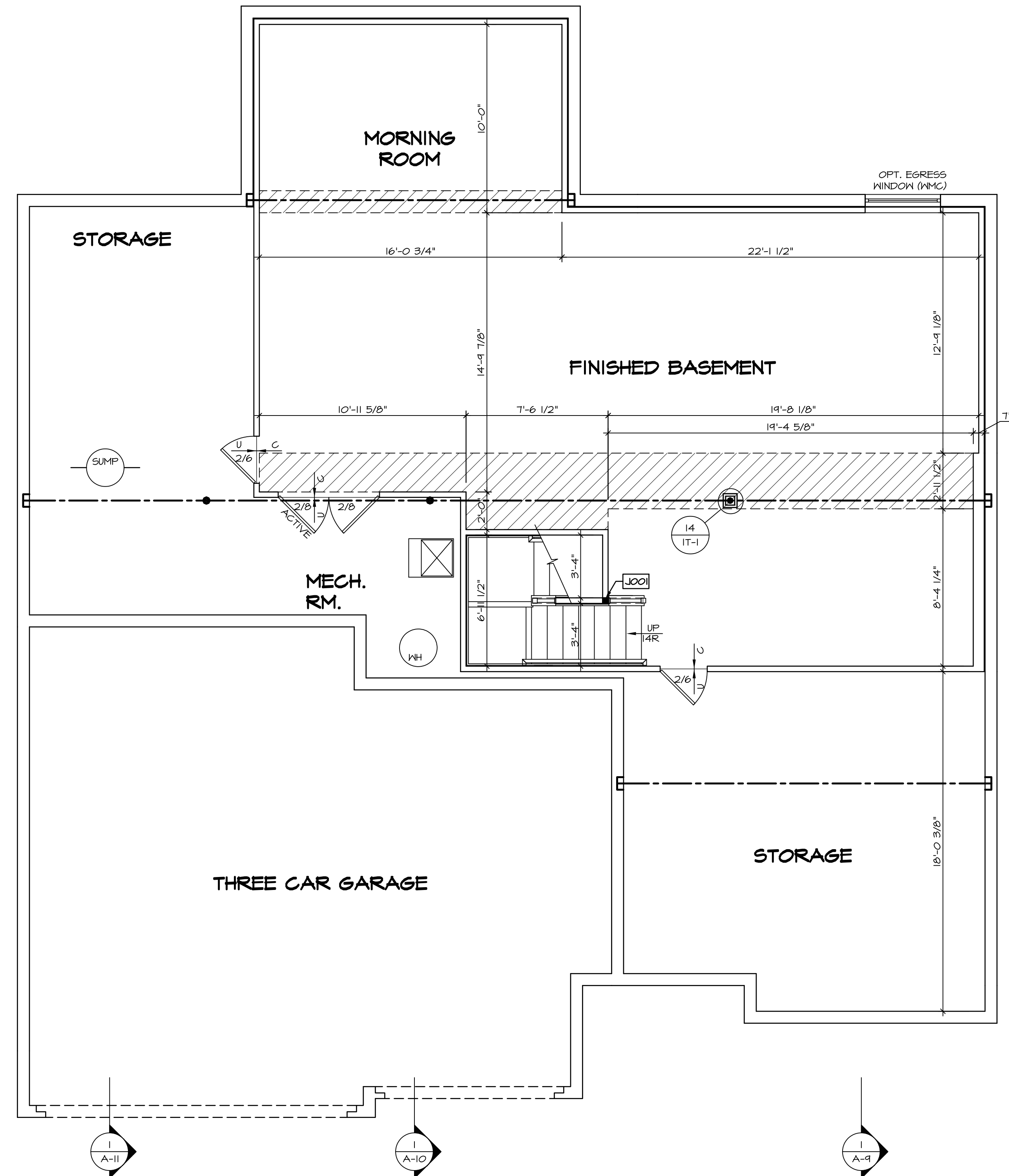
SEE FC DETAILS FOR FRAMING CONNECTORS

FLOOR PLAN NOTES

- ALL HEADERS ARE (2) 2x6 w/ 2x4 WALLS OR (3) 2x6 w/ 2x6 WALLS, UNLESS OTHERWISE NOTED.
- ALL HEADERS TO HAVE (1) 2x4 OR 2x6 JACK EACH END, UNLESS OTHERWISE NOTED.
- ALL EXTERIOR WALLS TO BE 4" AND ALL INTERIOR WALLS TO BE 3 1/2", UNLESS OTHERWISE NOTED.
- HATCHED AREAS INDICATE DROPPED CEILINGS. ALL DROPPED CEILINGS ARE 12' UNLESS OTHERWISE NOTED.
- SEE "BRACED WALL PANEL DETAIL SHEET" FOR SPECIAL WALL FRAMING LOCATIONS AND HEADER SIZES, IF APPLICABLE.
- SEE STANDARD DETAIL CATEGORY "IT" SHEET(S) FOR INTERIOR TRIM DETAILS.
- SEE ARCHITECTURAL DETAIL SHEET "AD" FOR HOUSE SPECIFIC INTERIOR TRIM OPTION TABLE.
- ALL WINDOWS HAVE 7'-0 1/2" HEADER HEIGHT UNLESS OTHERWISE NOTED.

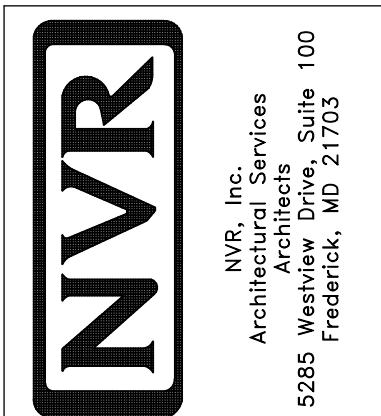
GYPSUM NOTES

- AT GARAGE:**
 GYPSUM BOARD AT COMMON WALLS, CEILING, BEAM WRAPS AND SUPPORTS PER STANDARD DETAIL FA-1(b) FIRE ASSEMBLIES OR AS REQUIRED BY LOCAL CODE.
- AT STAIRS:**
 1/2" GYPSUM BOARD AT UNDERSIDE OF STAIRS AND WALLS IN CLOSET



BASEMENT FLOOR PLAN
 SCALE: 1/4" = 1'-0"

SHEET NO.	MODEL	SET NO.	DATE	REV. NO.	DATE	REMARKS
A-6	OLSEN	03	08/17/17	1	08/17/17	TH - DRAWING ALIGNMENT
44	OLSEN	03	08/17/17			



FIRST FLOOR JACK SCHEDULE				
IDENTIFIER	DESCRIPTION	OPTIONS	ENG. NUM.	REMARKS
J101	JACK - (5) 2X4 SP#1		1021, 1024, 1031, 1034	
J102	JACK - (2) 2X4 SP# STUD GRADE		1023	
J103	JACK - (2) 2X4 SP# STUD GRADE		1023	
J104	JACK - (3) 2X4 SP# STUD GRADE	FBA	1101	
J105	JACK - (3) 2X4 SP# STUD GRADE	FBA	1101	
J106	JACK - (3) 2X4 SP#1		1014	
J107	JACK - (4) 2X4 SP#1		1021	
J108	JACK - (3) 2X4 SP# STUD GRADE		1021	
J109	JACK - (2) 2X4 SP# STUD GRADE		1008	
J110	JACK - (2) 2X4 SP# STUD GRADE		1008	
J111	JACK - (3) 2X4 SP# STUD GRADE	MBL	1010	
J112	JACK - (3) 2X4 SP# STUD GRADE	MBL	1010	
J117	JACK - (2) 2X4 SP# STUD GRADE		1048	
J118	JACK - (2) 2X4 SP# STUD GRADE		1048	
J119	JACK - (2) 2X4 SP# STUD GRADE		1048	
J120	JACK - (2) 2X4 SP# STUD GRADE		1048	
J121	JACK - (2) 2X4 SP# STUD GRADE		1048	
J122	JACK - (2) 2X4 SP# STUD GRADE		1048	
J124	JACK - (4) 2X4 SP#1	ELA, ELC, ELL	1016	
J125	JACK - (2) 2X4 SP# STUD GRADE		1058	
J126	JACK - (2) 2X4 SP# STUD GRADE		1058	
J129	JACK - (3) 2X4 SP# STUD GRADE		1056	
J130	JACK - (3) 2X4 SP# STUD GRADE	ELB, ELC, ELK, ELL	1063	
J139	JACK - (2) 2X4 SP# STUD GRADE	ELB, ELC, ELK, ELL	1063	
J142	JACK - (3) 2X4 SP#1	ELB, ELC, ELK, ELL	1035	
J143	JACK - (3) 2X4 SP#1	ELC, ELL	2001	
J144	JACK - (3) 2X4 SP#1	ELC, ELL	2001	
J145	JACK - (2) 2X4 SP#1	ELC	1050	
J146	JACK - (2) 2X4 SP#1	ELC	1050	
J147	JACK - (6) 2X4 SP#1	MAA, ZJK	1043	
J157	JACK - 2X4 SP# STUD GRADE		1096	
J158	JACK - 2X4 SP# STUD GRADE		1012	
J159	JACK - 2X4 SP# STUD GRADE		1012	

LVL PLY TO PLY FASTENING SCHEDULE: (WHERE APPLICABLE BASED ON LVL USAGE)

- 1A - (2) PLY UP TO AND INCLUDING 11 7/8" TALL; FASTEN PLYS W/ (2) ROWS 16D NAILS AT 12" O.C.
- 2A - (2) PLY 14" TO AND 18" TALL (INCLUSIVE); FASTEN PLYS W/ (3) ROWS 16D NAILS AT 12" O.C.
- 3A - (2) PLY 20" TALL AND OVER; FASTEN PLYS W/ (4) ROWS 16D NAILS AT 12" O.C.
- 4A - (3) PLY UP TO AND INCLUDING 11 7/8" TALL; FASTEN PLYS W/ (2) ROWS 16D NAILS AT 12" O.C. FROM EACH SIDE
- 5A - (3) PLY 14" TO AND 18" TALL (INCLUSIVE); FASTEN PLYS W/ (3) ROWS 16D NAILS AT 12" O.C. FROM EACH SIDE
- 6A - (3) PLY 20" TALL AND OVER; FASTEN PLYS W/ (4) ROWS 16D NAILS AT 12" O.C. FROM EACH SIDE
- 7A - (4) PLY (ALL SIZES); FASTEN PLYS W/ (2) ROWS 1/2" DIAMETER A307 BOLTS AT 24" O.C. SEE SHOP DRAWING FOR ADDITIONAL INFORMATION.

FIRST FLOOR BEAM/HEADER SCHEDULE

IDENTIFIER	DESCRIPTION	LENGTH	OPTIONS	ENG. NUM.	REMARKS
B101-2	LVL - 0T-04	6'-11 1/2"		1021	1A, FIELD INSTALLED
B106	BEAM STEEL - W12X22	22'-11 1/2"	ELB, ELC, ELK, ELL, ZSM, EVF, ETV	1111	
PF102	EXT HEADER - 2X12 - 2 PLY	10'-4"	ELB, ELC, ELK, ELL	1058	2-PLY, PORTAL FRAME
PF103	EXT HEADER - 2X12 - 2 PLY	18'-8"	ELB, ELC, ELK, ELL	1063	2-PLY, PORTAL FRAME

STEEL COLUMN SCHEDULE

IDENTIFIER	STYLE	HEIGHT	OPTIONS	ENG. NUM.	REMARKS
C104	STANCHION - 35 IN DIA IIGA ADJ	9'-2 7/8"	ELB, ELC, ELK, ELL, FBA	1021, 1024, 1031, 1034	
C107	STANCHION - 3 IN SCHED 40	9'-1 1/8"	MAA, ZJK	1043	

GYPSUM NOTES

AT GARAGE:
 GYPSUM BOARD AT COMMON WALLS, CEILINGS, BEAM WRAPS AND SUPPORTS PER STANDARD DETAIL FA-(b) FIRE ASSEMBLIES OR AS REQUIRED BY LOCAL CODE.

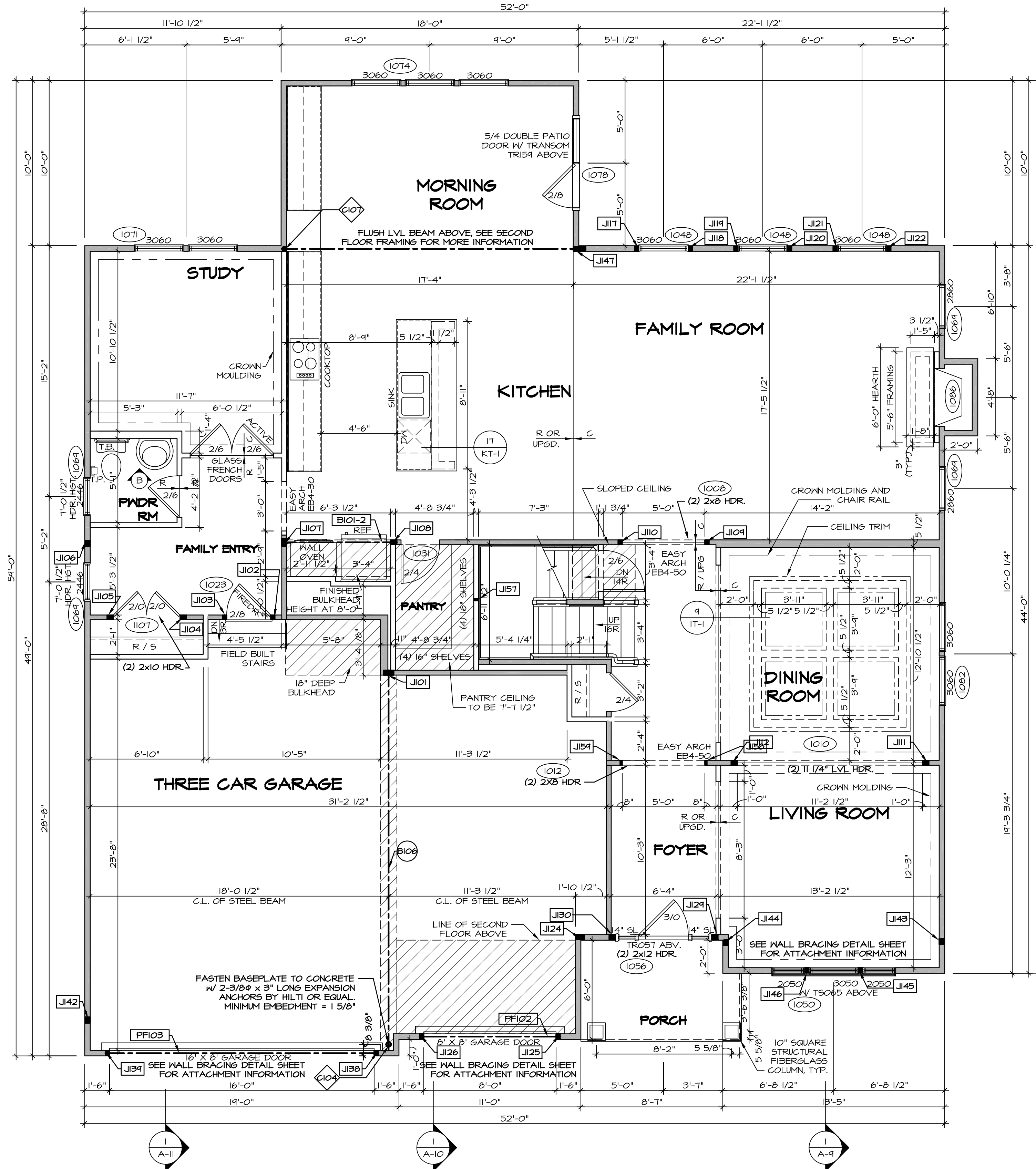
AT STAIRS:
 1/2" GYPSUM BOARD AT UNDERSIDE OF STAIRS AND WALLS IN CLOSET

FLOOR PLAN NOTES

- ALL HEADERS ARE (2) 2x6 W/ 2x4 WALLS OR (3) 2x6 W/ 2x6 WALLS, UNLESS OTHERWISE NOTED.
- ALL HEADERS TO HAVE (1) 2x4 OR 2x6 JACK EACH END, UNLESS OTHERWISE NOTED.
- ALL EXTERIOR WALLS TO BE 4" AND ALL INTERIOR WALLS TO BE 3 1/2" UNLESS OTHERWISE NOTED.
- HATCHED AREAS INDICATE DROPPED CEILINGS. ALL DROPPED CEILINGS ARE 12" UNLESS OTHERWISE NOTED.
- SEE "BRACED WALL PANEL DETAIL SHEET" FOR SPECIAL WALL FRAMING LOCATIONS AND HEADER SIZES, IF APPLICABLE.
- SEE STANDARD DETAIL CATEGORY "IT" SHEET(S) FOR INTERIOR TRIM DETAILS.
- SEE ARCHITECTURAL DETAIL SHEET "AD" FOR HOUSE SPECIFIC INTERIOR TRIM OPTION TABLE.
- ALL WINDOWS HAVE T-0 1/2" HEADER HEIGHT UNLESS OTHERWISE NOTED.

LEGEND

- BEARING WALL
- NON BEARING WALL
- INDICATES BEARING FROM POINT-LOAD ABOVE
- JACKS
- BEAM/HEADER
- PAD FOOTING
- STEEL COLUMN
- PORTAL FRAME
- JOIST/TRUSS
- LVL
- ENGINEERING PAGE NUMBER



FIRST FLOOR PLAN
 SCALE: 1/4" = 1'-0"

REV. NO.	DATE	REMARKS
06/15/16	TH	DRAWING ALIGNMENT

NVR, Inc., owner, expressly reserves its common law copyright and other property rights in these plans. These plans are not to be reproduced, stored in a retrieval system, or transmitted in any form or by any means, electronic, mechanical, photocopying, recording, or by any information storage and retrieval system, without first obtaining the expressed written consent of NVR, Inc.

NVR
 NVR, Inc.
 Architectural Services
 Architects & Engineers
 5285 Westpark Drive
 Frederick, MD 21703

SET NO. 01500	VERSION 03
DRAWN BY	DATE:
OPTION	

MODEL	OLSEN
DRAWING TITLE	FIRST FLOOR PLAN
OPTION DESCRIPTION	

SECOND FLOOR JACK SCHEDULE				
IDENTIFIER	DESCRIPTION	OPTIONS	ENG. NUM.	REMARKS
J203	JACK - (2) 2X4 SP#1		2002	
J204	JACK - (2) 2X4 SP#1		2002	
J205	JACK - (3) 2X4 SP#1	ELC, ELL	2001	
J206	JACK - (3) 2X4 SP#1	ELC, ELL	2001	

LVL PLY TO PLY FASTENING SCHEDULE: (WHERE APPLICABLE BASED ON LVL USAGE)

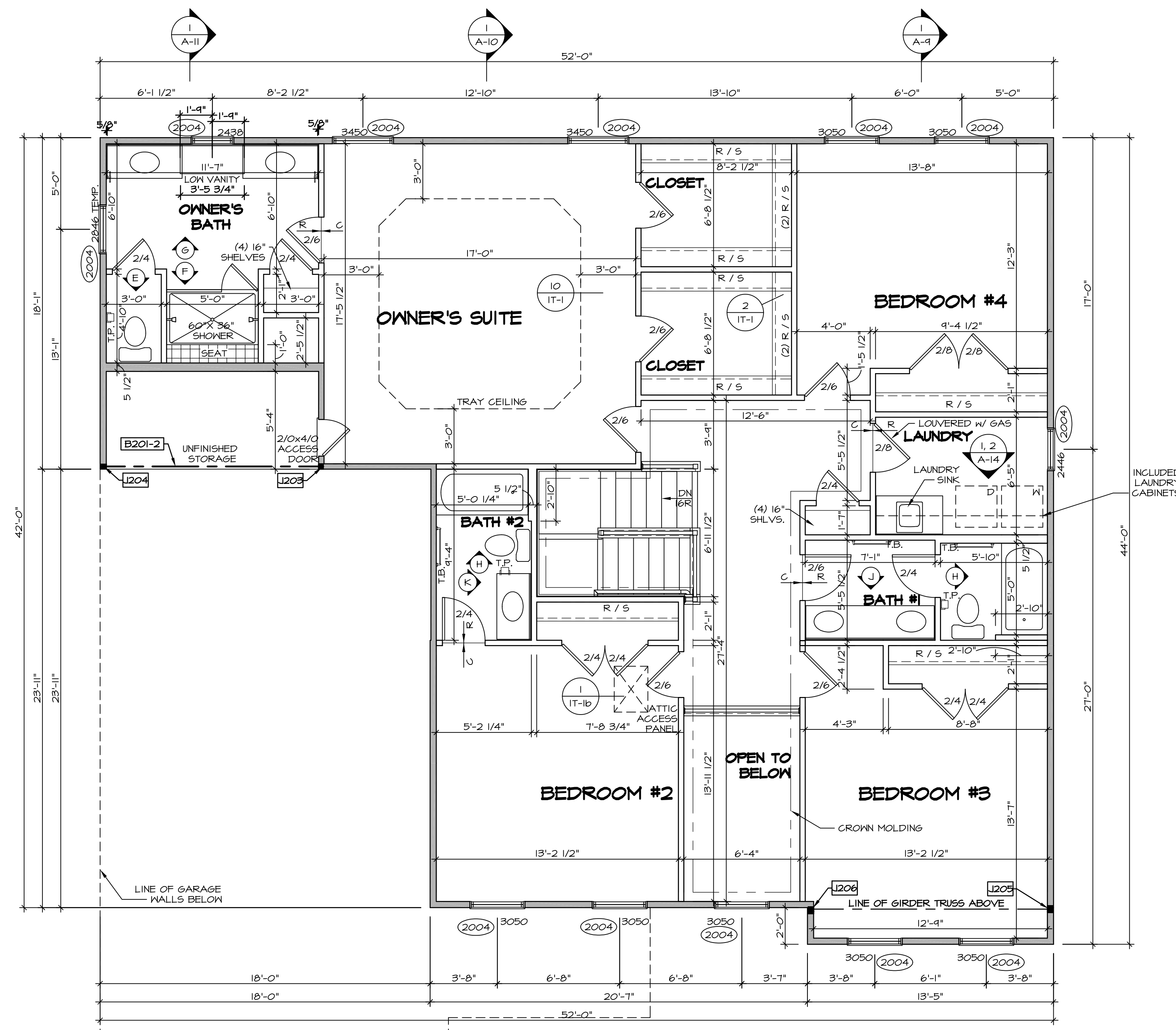
1.A - (2) PLY UP TO AND INCLUDING II 7/8" TALL; FASTEN PLYS W/ (2) ROWS 16D NAILS AT 12" O.C.
 2.A - (2) PLY 14" TO AND 18" TALL (INCLUSIVE); FASTEN PLYS W/ (3) ROWS 16D NAILS AT 12" O.C.
 3.A - (2) PLY 20" TALL AND OVER; FASTEN PLYS W/ (4) ROWS 16D NAILS AT 12" O.C.
 4.A - (3) PLY UP TO AND INCLUDING II 7/8" TALL; FASTEN PLYS W/ (2) ROWS 16D NAILS AT 12" O.C. FROM EACH SIDE
 5.A - (3) PLY 14" TO AND 18" TALL (INCLUSIVE); FASTEN PLYS W/ (3) ROWS 16D NAILS AT 12" O.C. FROM EACH SIDE
 6.A - (3) PLY 20" TALL AND OVER; FASTEN PLYS W/ (4) ROWS 16D NAILS AT 12" O.C. FROM EACH SIDE
 7.A - (4) PLY (ALL SIZES); FASTEN PLYS W/ (2) ROWS 1/2" DIAMETER A307 BOLTS AT 24" O.C.
 SEE SHOP DRAWING FOR ADDITIONAL INFORMATION.

SECOND FLOOR BEAM/HEADER SCHEDULE					
IDENTIFIER	DESCRIPTION	LENGTH	OPTIONS	ENG. NUM.	REMARKS
B201-2	LVL - II-04	12'-1 1/2"		2002	I.A. FIELD INSTALLED

LEGEND	
	BEARING WALL
	NON BEARING WALL
	INDICATES BEARING FROM POINT-LOAD ABOVE
	JACKS
	BEAM/HEADER
	PAD FOOTING
	STEEL COLUMN
	PORTAL FRAME
	JOIST/TRUSS
	LVL
	ENGINEERING PAGE NUMBER

SEE FC DETAILS FOR FRAMING CONNECTORS

- FLOOR PLAN NOTES**
- ALL HEADERS ARE (2) 2x6 w/ 2x4 WALLS OR (3) 2x6 w/ 2x6 WALLS, UNLESS OTHERWISE NOTED.
 - ALL HEADERS TO HAVE (1) 2x4 OR 2x6 JACK EACH END, UNLESS OTHERWISE NOTED.
 - ALL EXTERIOR WALLS TO BE 4" AND ALL INTERIOR WALLS TO BE 3 1/2", UNLESS OTHERWISE NOTED.
 - HATCHED AREAS INDICATE DROPPED CEILINGS. ALL DROPPED CEILINGS ARE 12' UNLESS OTHERWISE NOTED. SEE "BRACED WALL PANEL DETAIL SHEET" FOR SPECIAL WALL FRAMING LOCATIONS AND HEADER SIZES, IF APPLICABLE.
 - SEE STANDARD DETAIL CATEGORY "IT" SHEET(S) FOR INTERIOR TRIM DETAILS.
 - SEE ARCHITECTURAL DETAIL SHEET "AD" FOR HOUSE SPECIFIC INTERIOR TRIM OPTION TABLE.
 - ALL WINDOWS HAVE 7'-0 1/2" HEADER HEIGHT UNLESS OTHERWISE NOTED.



1 SECOND FLOOR PLAN
 SCALE: 1/4" = 1'-0"

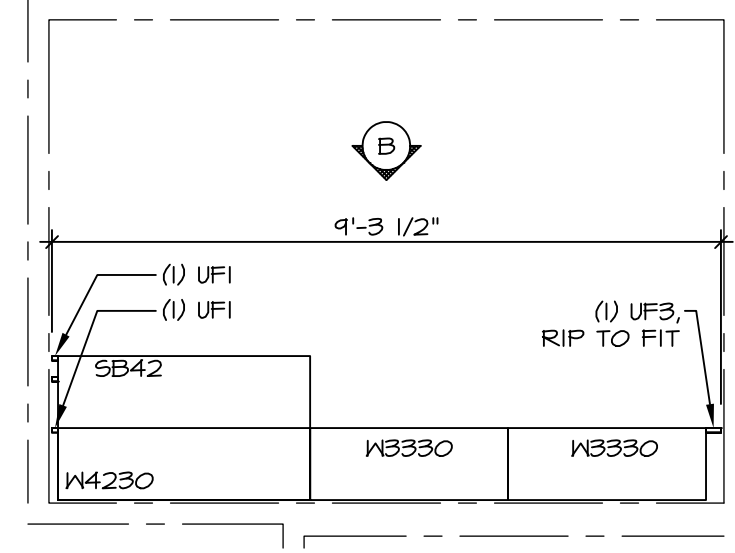
SHEET NO.	MODEL	SET NO.	VERSION	DRAWN BY	DATE:	OPTION	REMARKS
A-8	OLSEN	03	03				
50							

NVR, Inc., owner, expressly reserves its common law copyright and other property rights in these plans. These plans are not to be copied, reproduced, or otherwise used in any way without the written consent of NVR, Inc.

NVR
 NVR, Inc.
 Architectural Services
 Architects
 5285 Westchase Circle
 Frederick, MD 21703

SET NO. 0300
 VERSION 03
 DRAWN BY
 DATE:
 OPTION

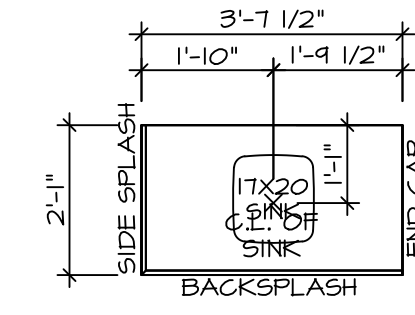
C:\NVR\Solves\OLSEN_03\DCI-ELW-5089\61934\Sheets\01_Spec\03_50 A-8_PLN2_LS.dwg 12/08/17 - 12:19 pm



CABINET PLAN
/ KC - 4157

SCALE: 3/8" = 1'-0"

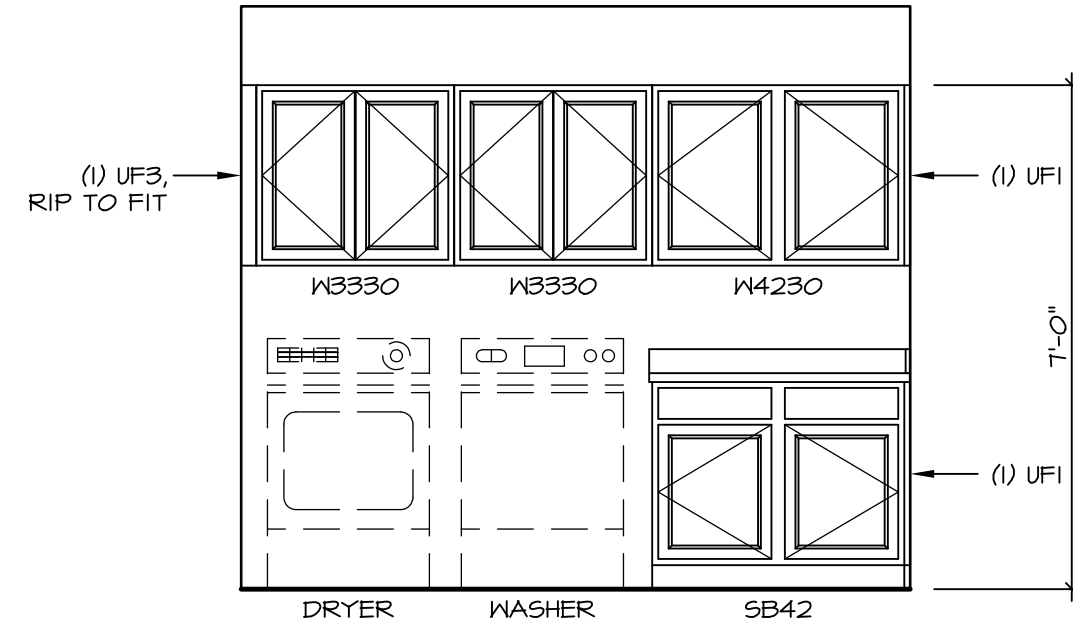
1
A-14



COUNTERTOP PLAN / KC - 4157

SCALE: 3/8" = 1'-0"

2
A-14



ELEVATION "B"

SCALE: 3/8" = 1'-0"

B

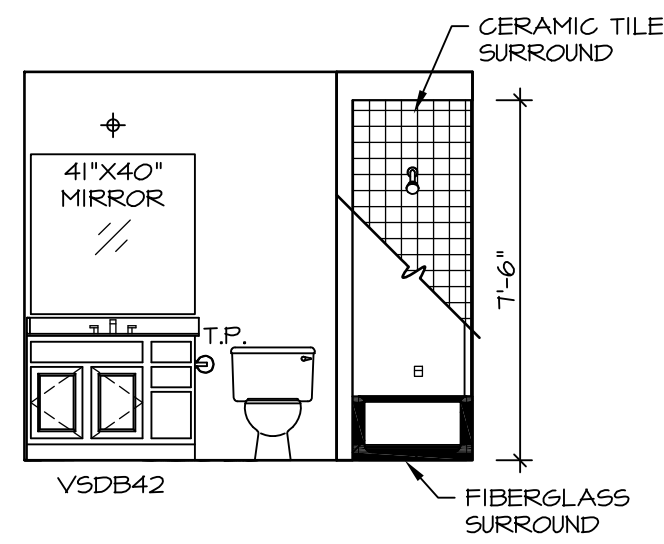
SHEET NO. A-14	MODEL OLSEN	SET NO. OL500 VERSION 03 DRAWN BY DATE: OPTION
61	CABINET AND COUNTERTOP LAYOUT	

NVR
NVR, Inc.
Architectural Services
Architects
5285 Westheimer Blvd, Suite 100
Frederick, MD 21703

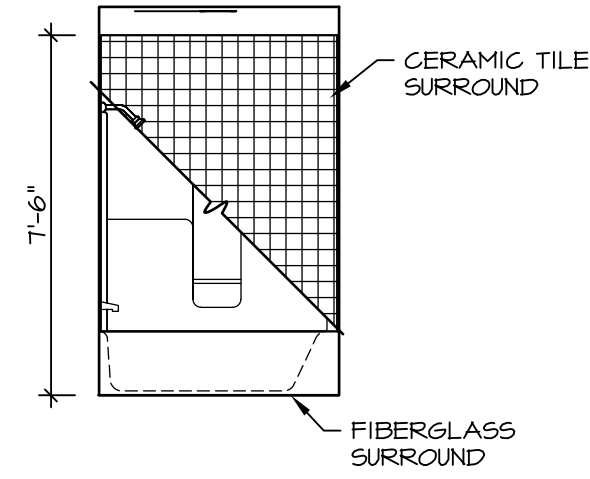
NVR, Inc., owner, expressly reserves its common law copyright and other property rights in these plans. These plans are not to be copied, reproduced, or otherwise used in any way without the express written consent of NVR, Inc.

REMARKS

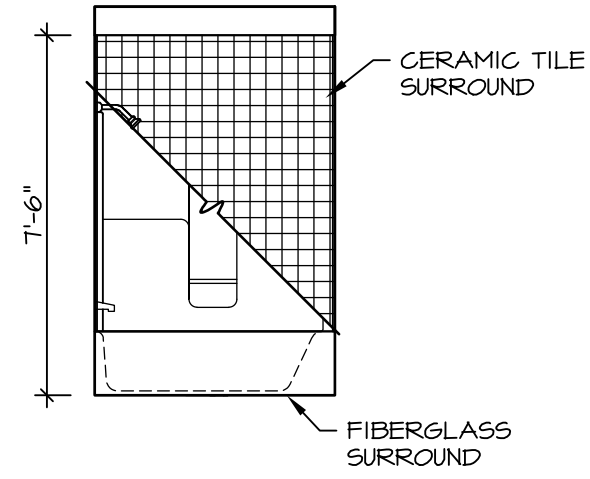
REV. NO.	DATE



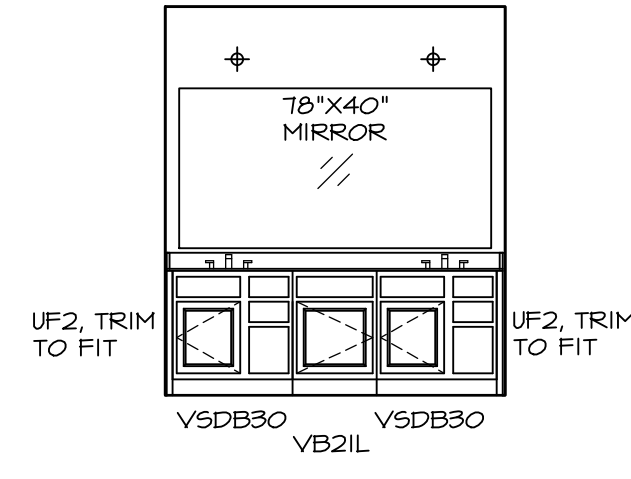
K BATH #2
SCALE: 1/4" = 1'-0"



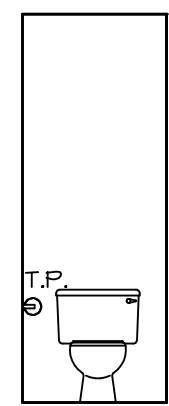
P BATH #2
SCALE: 1/4" = 1'-0"



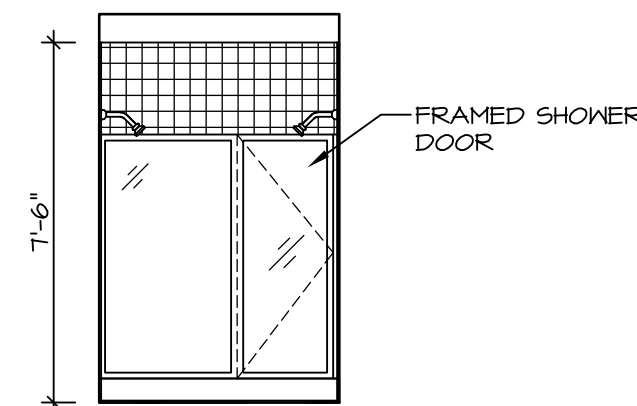
H BATH #1
SCALE: 1/4" = 1'-0"



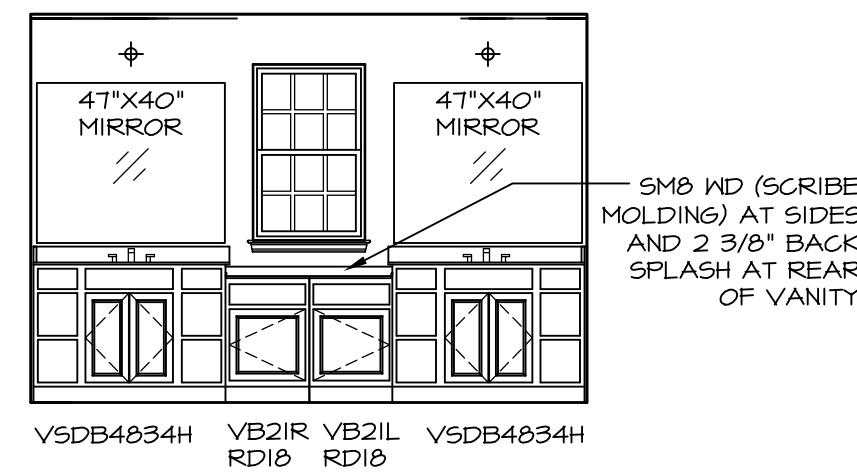
J BATH #1
SCALE: 1/4" = 1'-0"



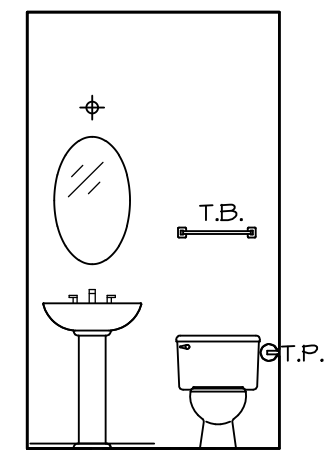
E OWNERS BATH
SCALE: 1/4" = 1'-0"



F OWNER'S BATH
SCALE: 1/4" = 1'-0"



G OWNER'S BATH
SCALE: 1/4" = 1'-0"



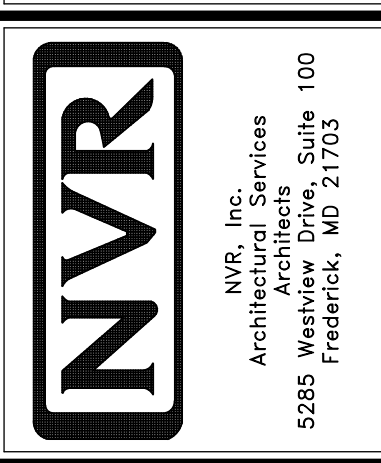
B POWDER ROOM
SCALE: 1/4" = 1'-0"

NOTES:

1. TEMPERED GLASS SHOWER ENCLOSURE WITH SWING DOOR OR OPTIONAL SLIDING DOOR BY DIVISION
2. TUB ACCESS PANELS PROVIDED AS NEEDED, ALL MATERIALS BY DIVISION
3. REFER TO SHEET IT-2 FOR TUB AND SHOWER DETAILS.
4. ALL V5DB24-42 DRAWERS TO BE SET ON RIGHT HAND.
5. BATH ELEVATIONS ARE SHOWN PER PLAN.

REV. NO.	DATE	REMARKS
1	08/15/16	N. - DRAWING ALIGNMENT

NVR, Inc., owner, expressly reserves its common law copyright and other property rights in these plans. These plans are not to be copied, reproduced, or otherwise used in any way without the express written consent of NVR, Inc. nor are they to be assigned to any third party, without first obtaining the expressed written consent of NVR, Inc.



SHEET NO.	MODEL	SET NO.	OPTION
A-15	OLSEN	01	03
62	OLSEN	03	03
	DRAWING TITLE	DRAWN BY	DATE:
	BATH ELEVATIONS		
	OPTION DESCRIPTION		

