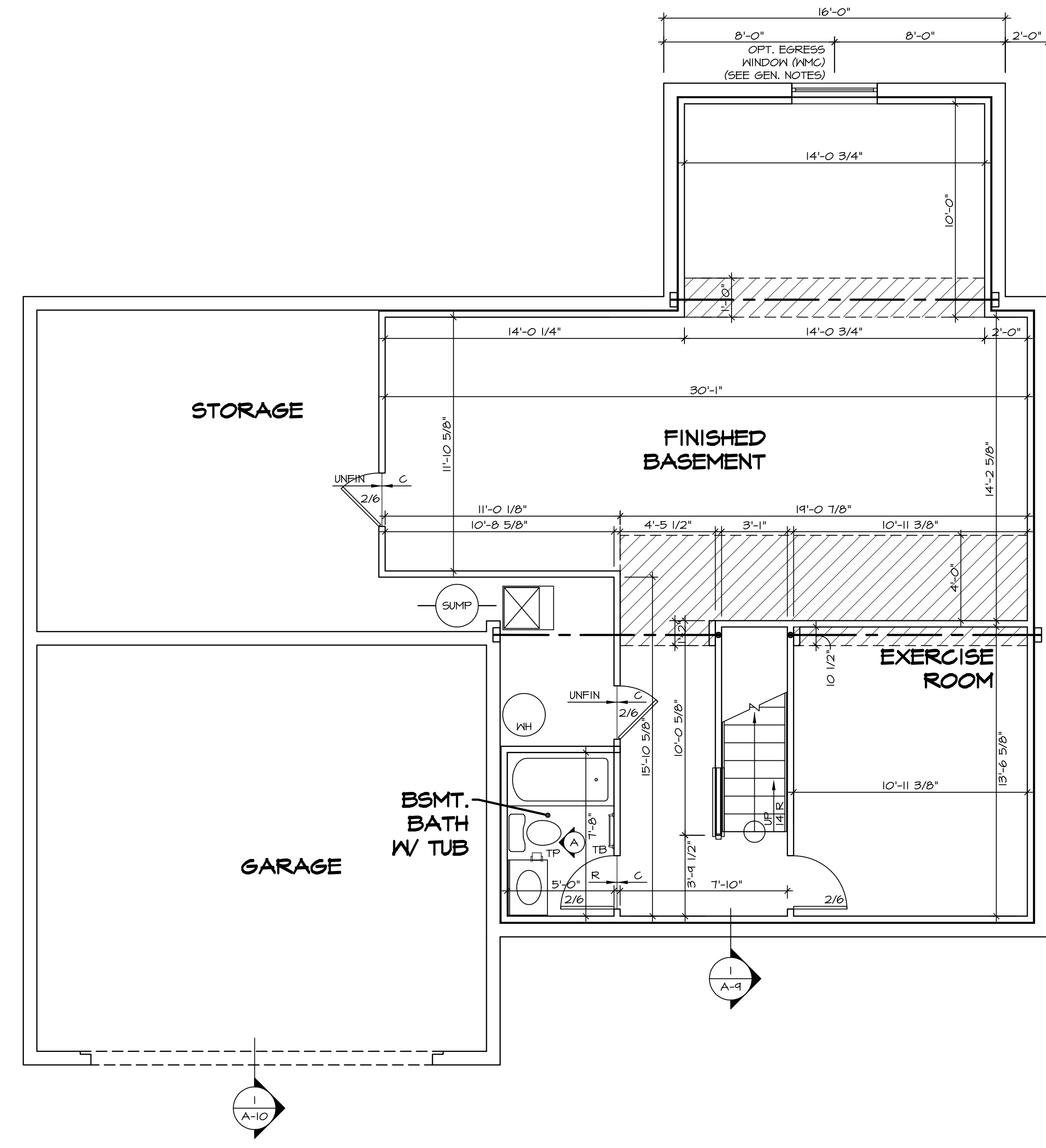


LEGEND	
	BEARING WALL
	NON BEARING WALL
	INDICATES BEARING FROM POINT-LOAD ABOVE
	JACKS
	BEAM/HEADER
	PAD FOOTING
	STEEL COLUMN
	PORTAL FRAME
	JOIST/TRUSS
	LVL
	ENGINEERING PAGE NUMBER

SEE FC DETAILS FOR FRAMING CONNECTORS

- FLOOR PLAN NOTES**
- ALL HEADERS ARE (2) 2x6 w/ 2x4 WALLS OR (3) 2x6 w/ 2x6 WALLS, UNLESS OTHERWISE NOTED.
 - ALL HEADERS TO HAVE (1) 2x4 OR 2x6 JACK EACH END, UNLESS OTHERWISE NOTED.
 - ALL EXTERIOR WALLS TO BE 4" AND ALL INTERIOR WALLS TO BE 3 1/2", UNLESS OTHERWISE NOTED.
 - HATCHED AREAS INDICATE DROPPED CEILINGS. ALL DROPPED CEILINGS ARE 12" UNLESS OTHERWISE NOTED.
 - SEE "BRACED WALL PANEL DETAIL SHEET" FOR SPECIAL WALL FRAMING LOCATIONS AND HEADER SIZES, IF APPLICABLE.
 - SEE STANDARD DETAIL CATEGORY "IT" SHEET(S) FOR INTERIOR TRIM DETAILS.
 - SEE ARCHITECTURAL DETAIL SHEET "AD" FOR HOUSE SPECIFIC INTERIOR TRIM OPTION TABLE.
 - ALL WINDOWS HAVE 7'-0" 1/2" HEADER HEIGHT UNLESS OTHERWISE NOTED.
 - ALL CASED OPENINGS AT T-11, UNLESS OTHERWISE NOTED.

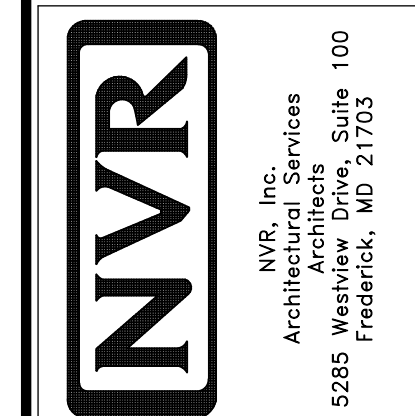
- GYPSUM NOTES**
- AT GARAGE:
GYPSUM BOARD AT COMMON WALLS, CEILING, BEAM WRAPS AND SUPPORTS PER STANDARD DETAIL FA-1(b) FIRE ASSEMBLIES OR AS REQUIRED BY LOCAL CODE.
- AT STAIRS:
1/2" GYPSUM BOARD AT UNDERSIDE OF STAIRS AND WALLS IN CLOSET



BASEMENT FLOOR PLAN
SCALE: 1/4" = 1'-0"

SHEET NO.	MODEL	SET NO.	VERSION	DRAWN BY	DATE:	OPTION	DRAWING TITLE	OPTION DESCRIPTION	REMARKS
A-6	PALERMO	03	03				BASEMENT FLOOR PLAN		
51									

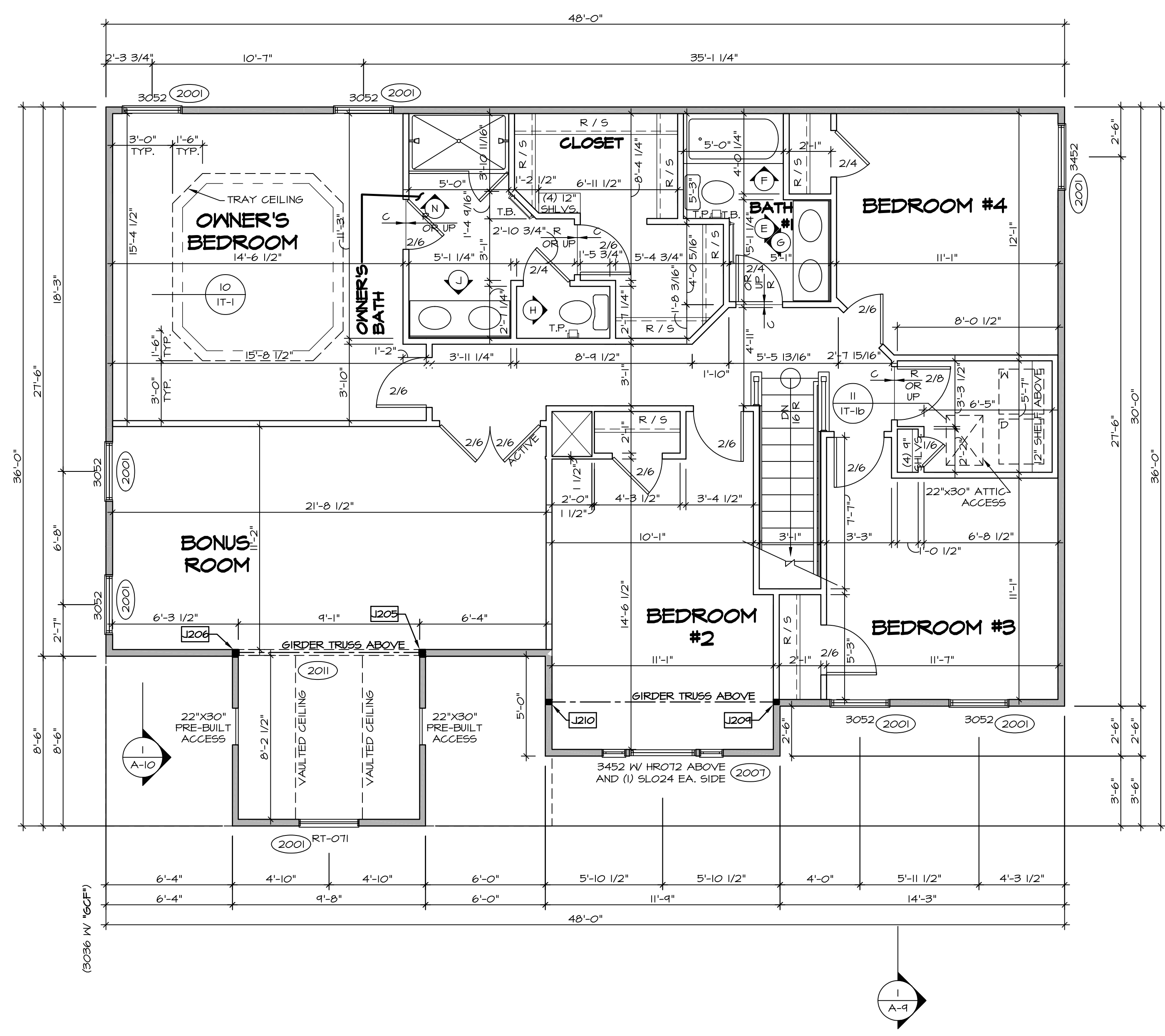
NVR, Inc., owner, expressly reserves its common law copyright in these plans. These plans are not to be reproduced, changed, adapted in any way, or otherwise used, without the prior written consent of NVR, Inc.



SECOND FLOOR JACK SCHEDULE				
IDENTIFIER	DESCRIPTION	OPTIONS	ENG. NUM.	REMARKS
J205	JACK - (3) 2X4 SFF STUD GRADE	MAV	2011	
J206	JACK - (3) 2X4 SFF STUD GRADE	MAV	2011	
J204	JACK - (2) 2X4 SFF#1	ELE	2011	
J210	JACK - (2) 2X4 SFF#1	ELE	2011	

LEGEND	
	BEARING WALL
	NON BEARING WALL
	INDICATES BEARING FROM POINT-LOAD ABOVE
	JACKS
	BEAM/HEADER
	PAD FOOTING
	STEEL COLUMN
	PORTAL FRAME
	JOIST/TRUSS
	LVL
	ENGINEERING PAGE NUMBER

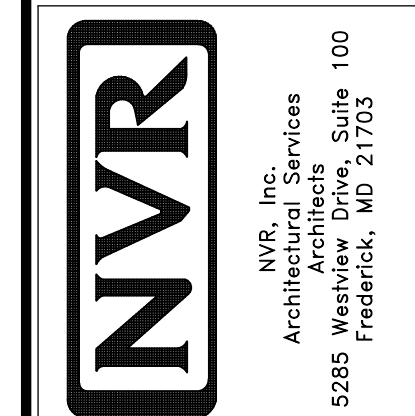
- FLOOR PLAN NOTES**
- ALL HEADERS ARE (2) 2x6 w/ 2x4 WALLS OR (3) 2x6 w/ 2x6 WALLS, UNLESS OTHERWISE NOTED.
 - ALL HEADERS TO HAVE (1) 2x4 OR 2x6 JACK AND KING STUD EACH END, UNLESS OTHERWISE NOTED.
 - ALL EXTERIOR WALLS TO BE 4" w/ OSB OR 3 1/2" w/ T-PLY, ALL INTERIOR WALLS TO BE 3 1/2", UNLESS OTHERWISE NOTED.
 - HATCHED AREAS INDICATE DROPPED CEILINGS. ALL DROPPED CEILINGS ARE 12" UNLESS OTHERWISE NOTED.
 - SEE "BRACED WALL PANEL DETAIL SHEET" FOR SPECIAL WALL FRAMING LOCATIONS AND HEADER SIZES, IF APPLICABLE.
 - SEE STANDARD DETAIL CATEGORY "1T" SHEET(S) FOR INTERIOR TRIM DETAILS.
 - SEE ARCHITECTURAL DETAIL SHEET "AD" FOR HOUSE SPECIFIC INTERIOR TRIM OPTION TABLE.
 - ALL WINDOWS HAVE 7'-0 1/2" HEADER HEIGHT UNLESS OTHERWISE NOTED.
 - ALL HEADERS IN NON-BEARING WALLS SHALL BE A SINGLE FLAT 2x4 OR 2x6 ATTACHED TO GRIFFLES ABOVE, UNLESS OTHERWISE NOTED.



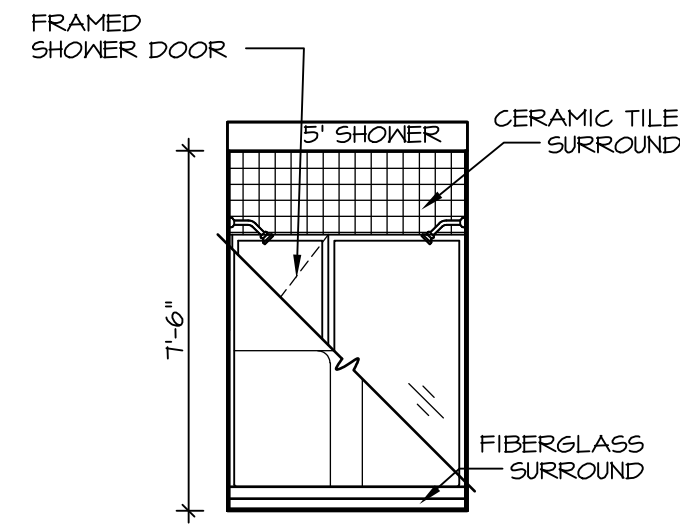
SECOND FLOOR PLAN
SCALE: 1/4" = 1'-0"

REV. NO.	DATE	REMARKS
1	08/04/16	TM - DRAWING ALIGNMENT
2	07/12/17	SL5 - T-PLY CONVERSION PROJECT

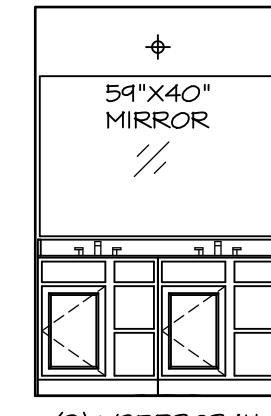
NVR, Inc., owner, expressly reserves its copyright in these plans. These plans are not to be reproduced, changed, copied, or otherwise used in any way without the written consent of NVR, Inc.



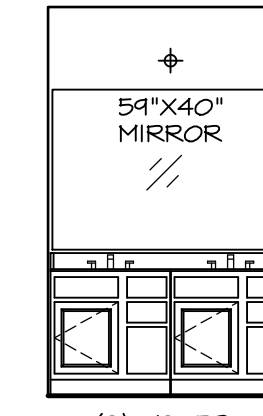
SHEET NO.	MODEL	SET NO.	VERSION	DATE:	OPTION
A-8	PALERMO	03	03		
60	DRAWING TITLE	SECOND FLOOR PLAN			
	OPTION DESCRIPTION				



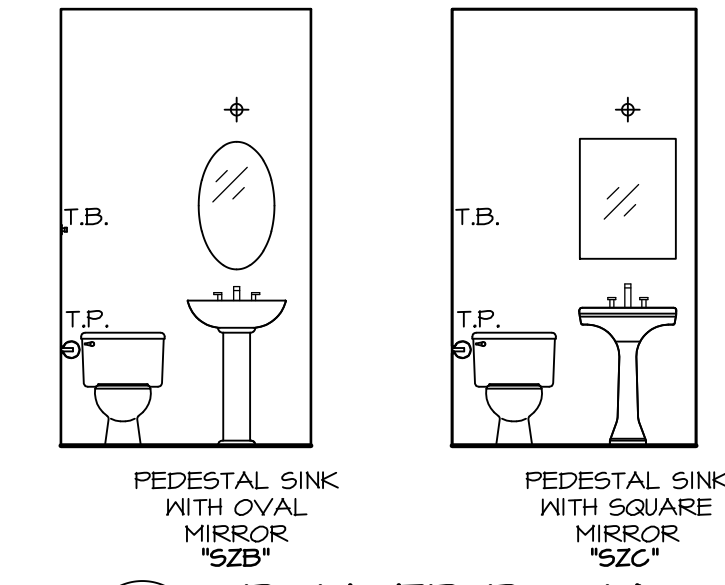
N OWNER'S BATH
SCALE: 1/4" = 1'-0"



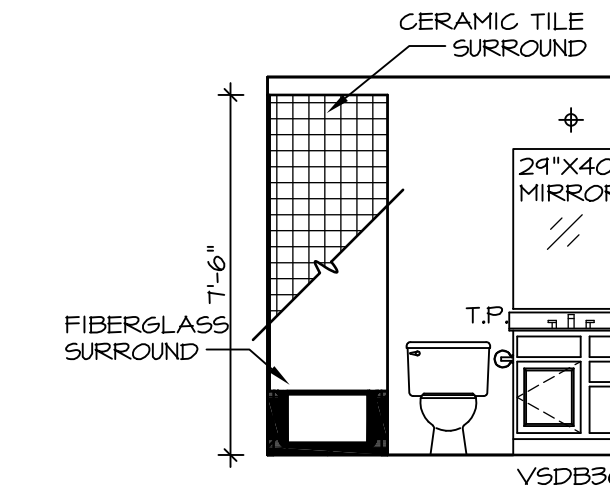
J OWNER'S BATH
SCALE: 1/4" = 1'-0"



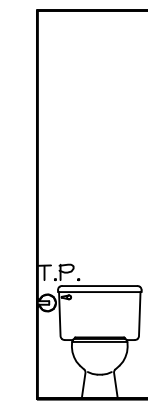
E BATH #1
SCALE: 1/4" = 1'-0"



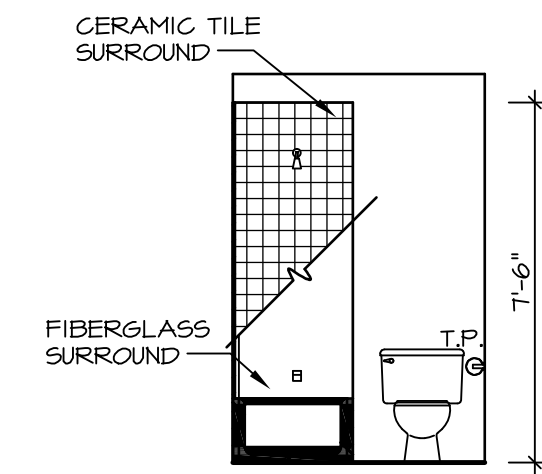
B POWDER ROOM
SCALE: 1/4" = 1'-0"



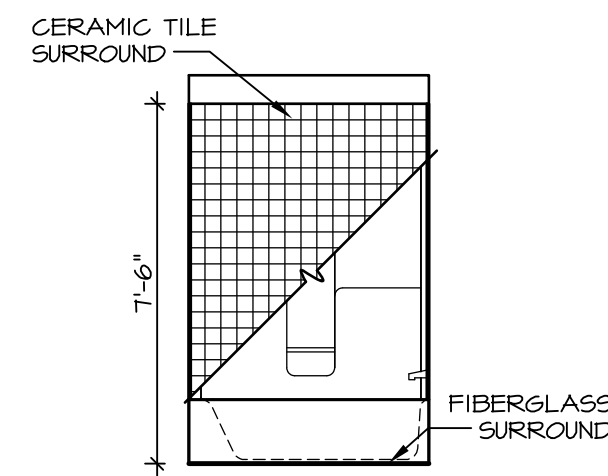
A BASEMENT BATH
SCALE: 1/4" = 1'-0"



H OWNER'S BATH
SCALE: 1/4" = 1'-0"



G BATH #1
SCALE: 1/4" = 1'-0"



F BATH #1
SCALE: 1/4" = 1'-0"

NOTES:

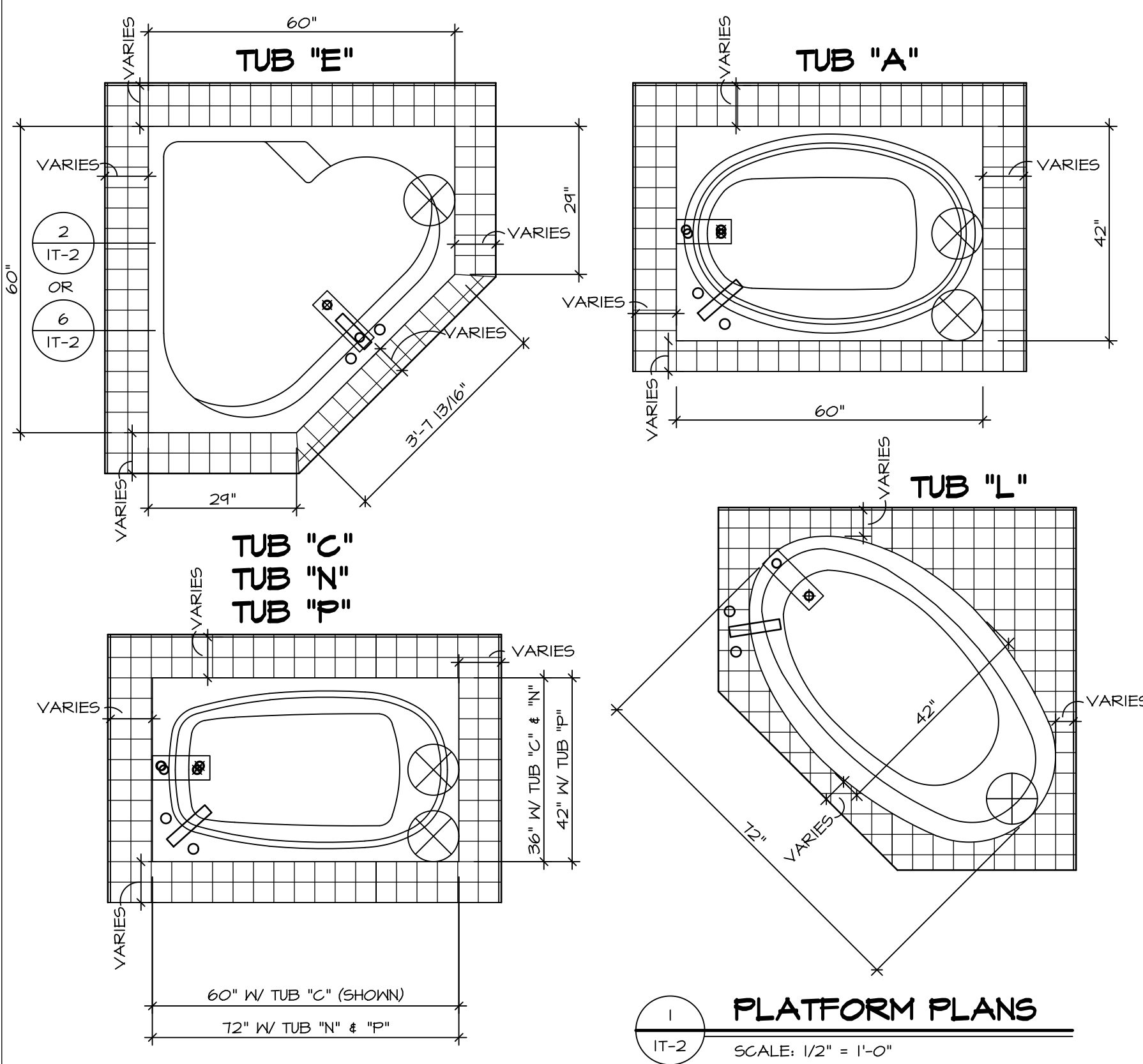
1. TEMPERED GLASS SHOWER ENCLOSURE WITH SWING DOOR OR OPTIONAL SLIDING DOOR BY DIVISION
2. TUB ACCESS PANELS PROVIDED AS NEEDED, ALL MATERIALS BY DIVISION
3. REFER TO SHEET IT-2 FOR TUB AND SHOWER DETAILS.
4. ALL V5DB24-42 DRAWERS TO BE SET ON RIGHT HAND.
5. BATH ELEVATIONS ARE SHOWN PER PLAN.

REV. NO.	DATE	REMARKS
1	08/04/18	DM - DRAWING ALIGNMENT

NVR, Inc., owner, expressly reserves its copyright in these plans. These plans are not to be reproduced, changed, adapted in any way, or any part thereof, without the prior written consent of NVR, Inc.

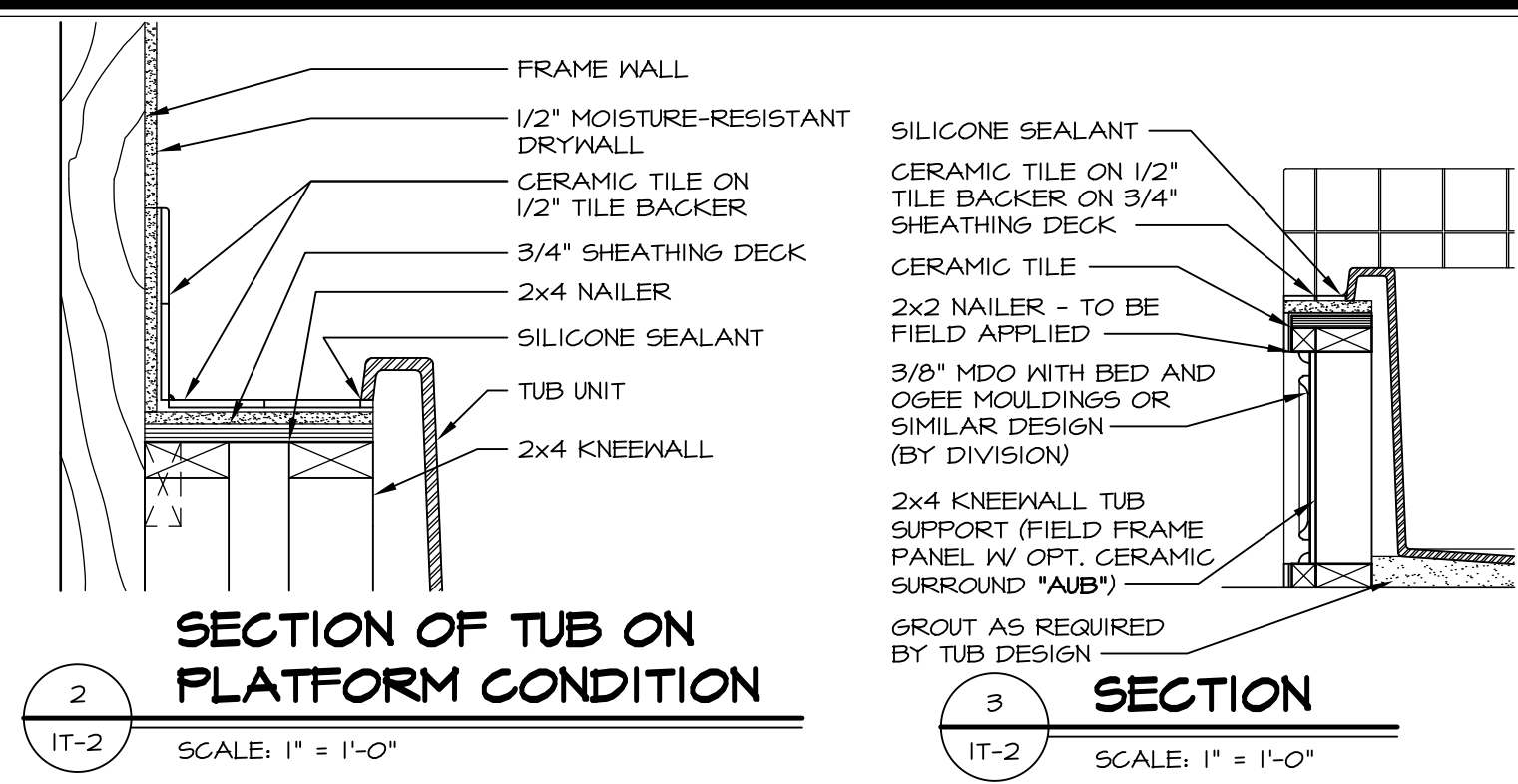
NVR
NVR, Inc.
Architectural Services
Architects
5285 Westpark Drive, Suite 100
Frederick, MD 21703

SHEET NO. A-13	MODEL PALERMO	SET NO. PALOO	VERSION 03
	DRAWING TITLE BATH ELEVATIONS	DRAWN BY	DATE:
	OPTION DESCRIPTION	OPTION	
72			

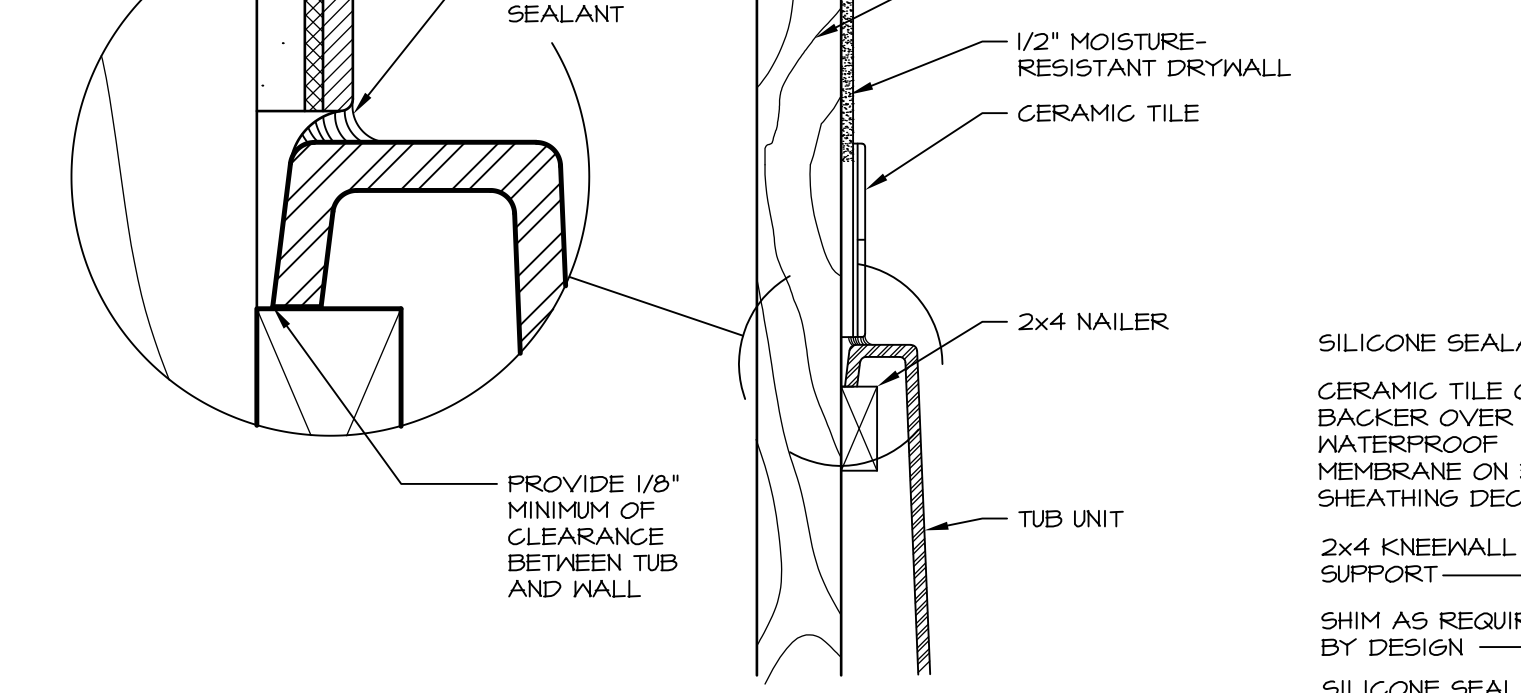


1 PLATFORM PLANS
SCALE: 1/2" = 1'-0"

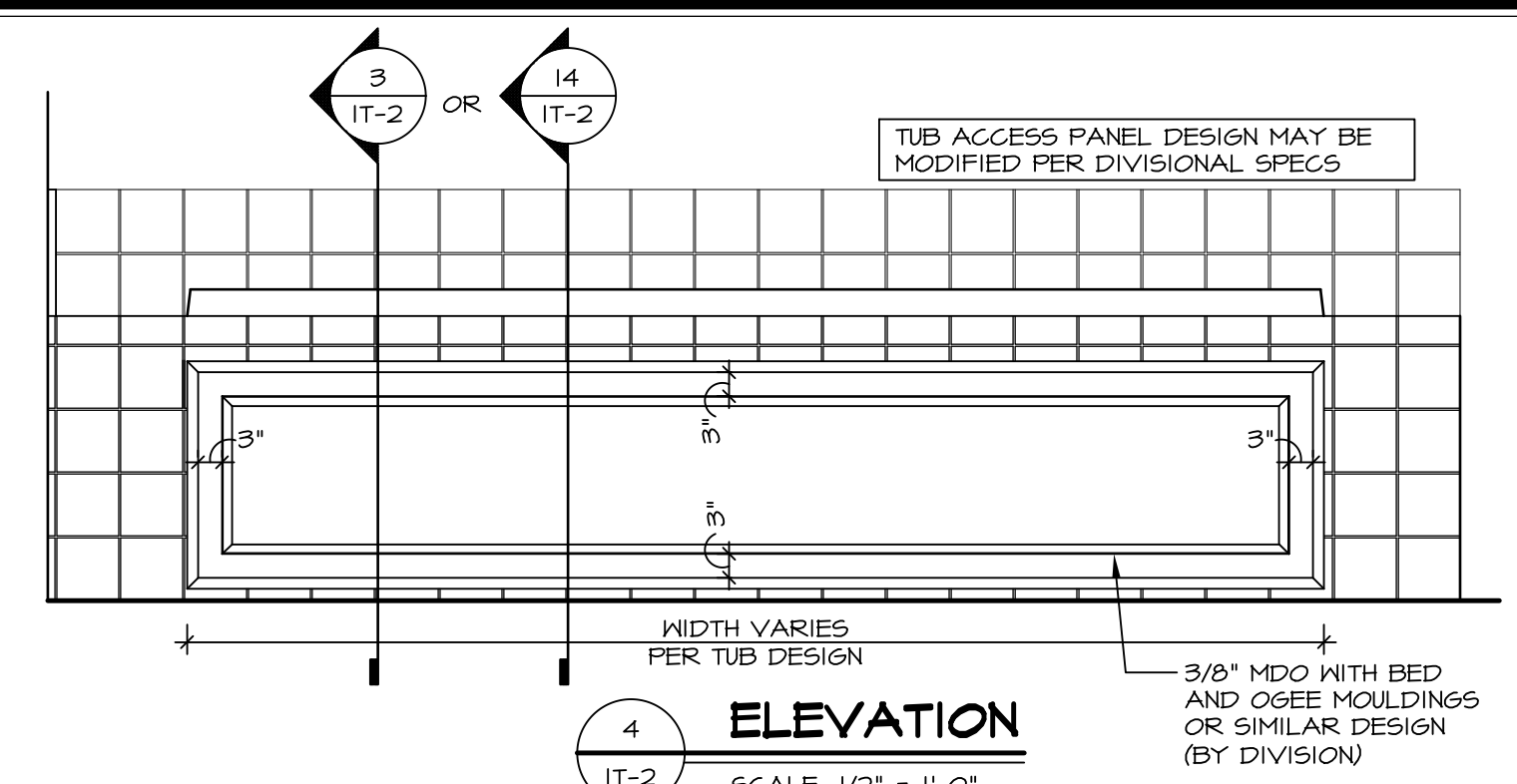
TUB	MANUF.	HEIGHT	WIDTH	LENGTH	TUB DECK PANEL HEIGHT
"A"	KOHLER/STERLING	18 3/4"	42"	60"	17 1/8"
"C"	KOHLER/STERLING	18 3/4"	36"	60"	17 1/8"
"E"	KOHLER/STERLING	19 1/2"	60"	60"	17 7/8"
"L"	KOHLER/STERLING	18 1/2"	42"	72"	16 7/8"
"N"	KOHLER/STERLING	18 3/4"	36"	72"	17 1/8"
"P"	KOHLER/STERLING	18 3/4"	42"	72"	17 1/8"



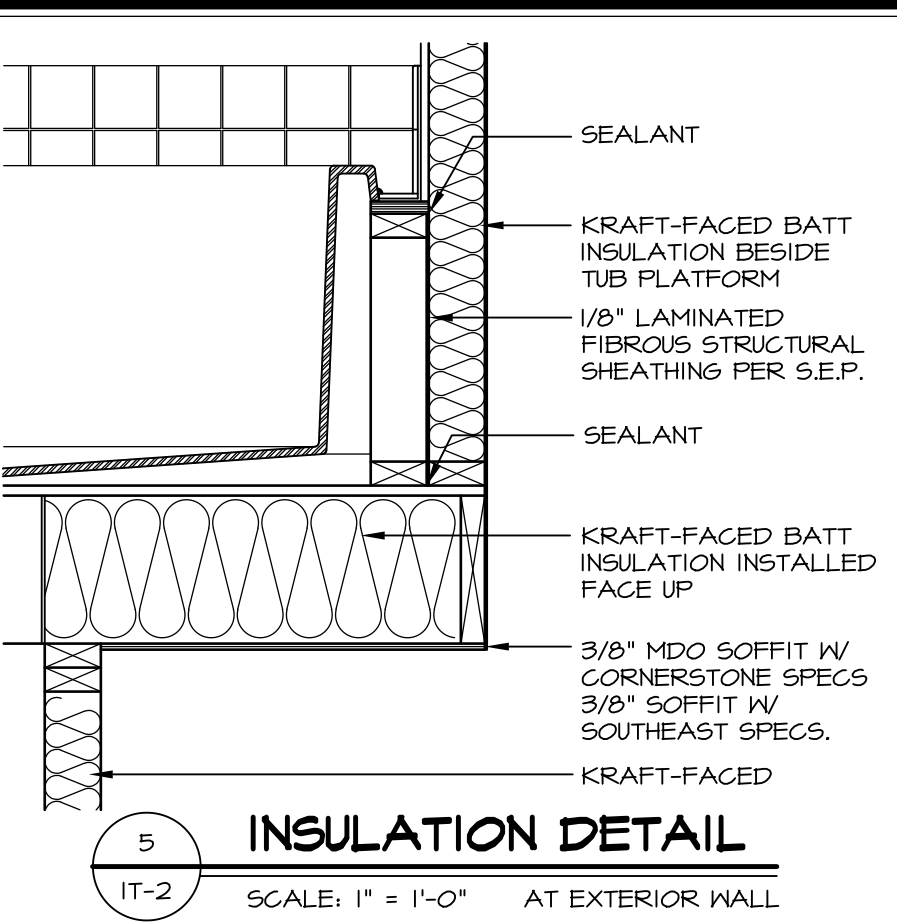
2 SECTION OF TUB ON PLATFORM CONDITION
SCALE: 1" = 1'-0"



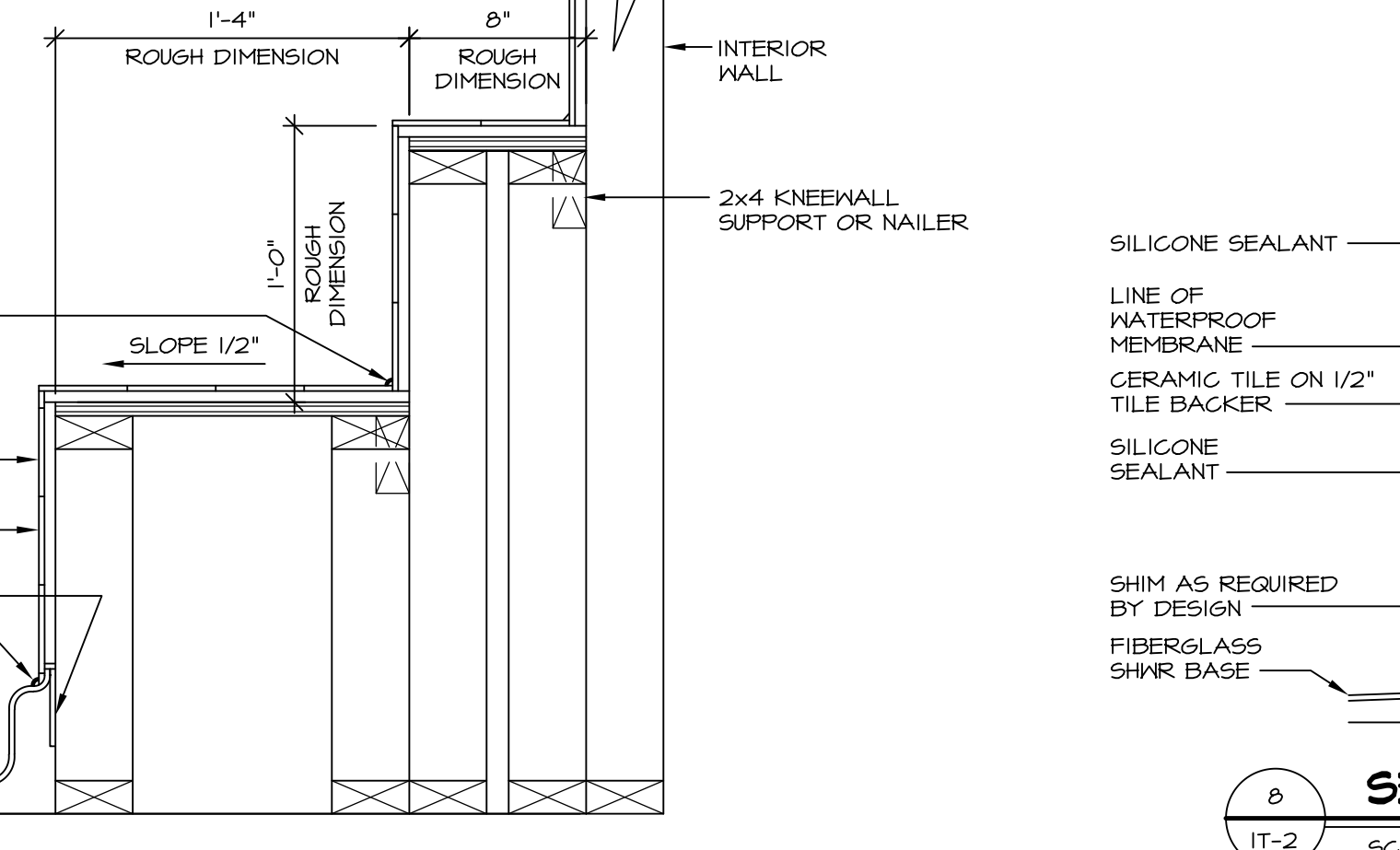
3 SECTION OF TUB TO WALL CONDITION
SCALE: 1" = 1'-0"



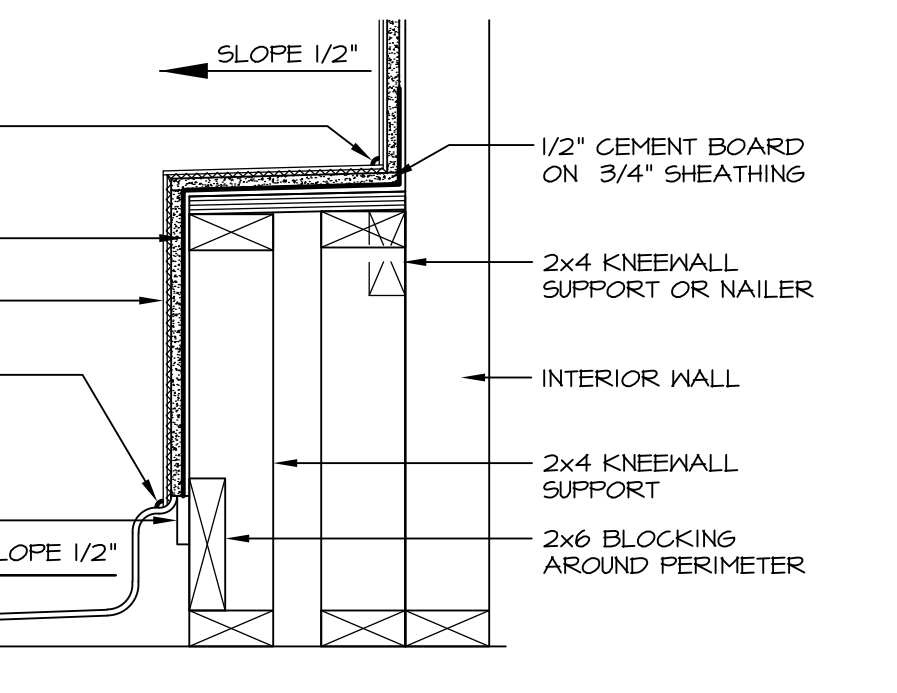
4 ELEVATION
SCALE: 1/2" = 1'-0"



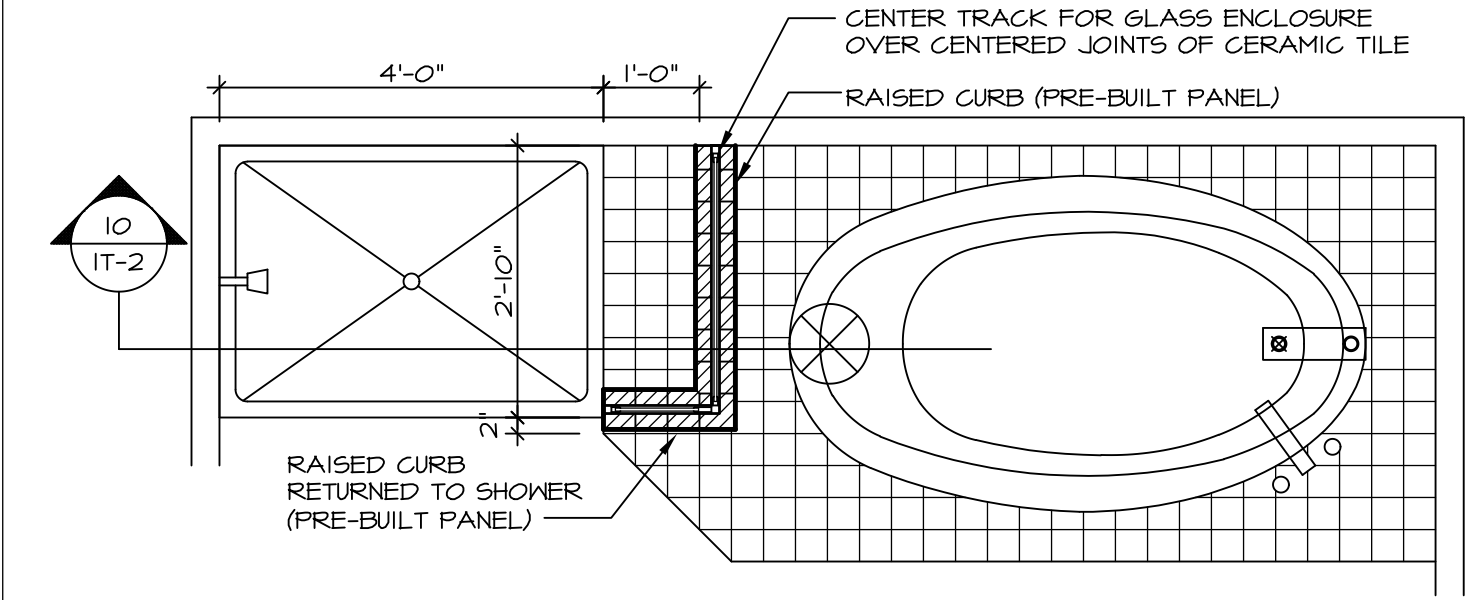
5 INSULATION DETAIL
SCALE: 1" = 1'-0" AT EXTERIOR WALL



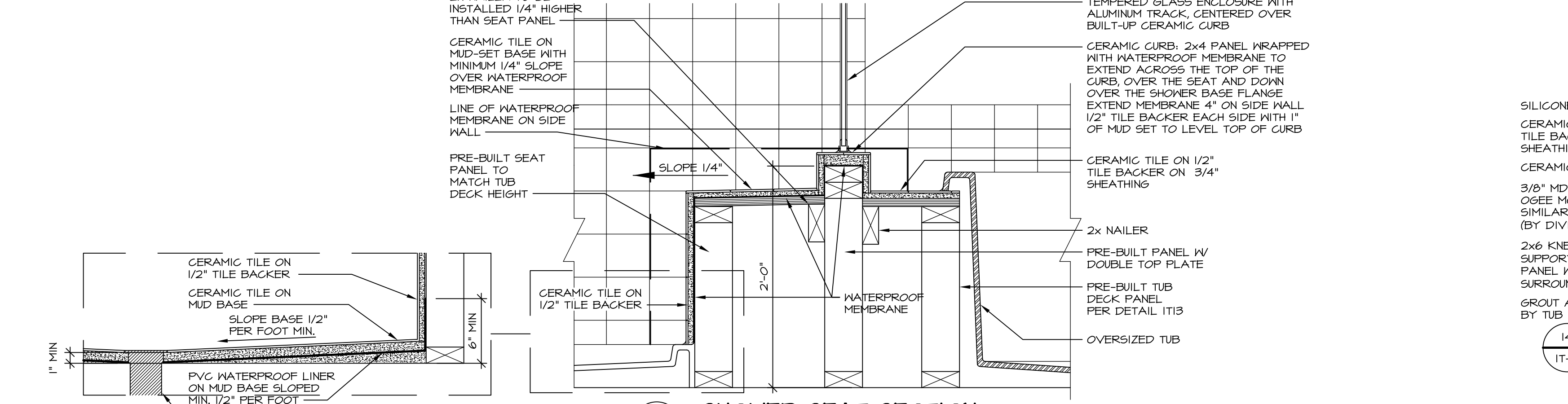
6 SECTION OF SHOWER SEAT AND SHELF
SCALE: 1/2" = 1'-0"



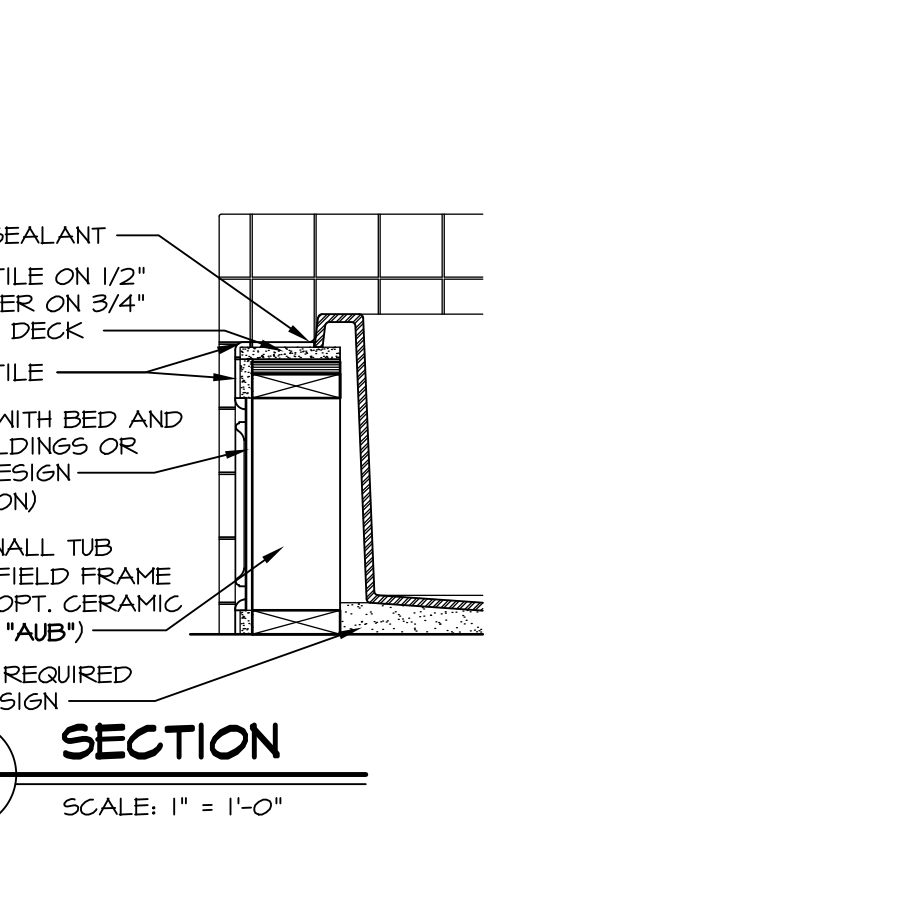
7 SECTION OF SHOWER SEAT
SCALE: 1/2" = 1'-0" FIBERGLASS SHOWER BASE



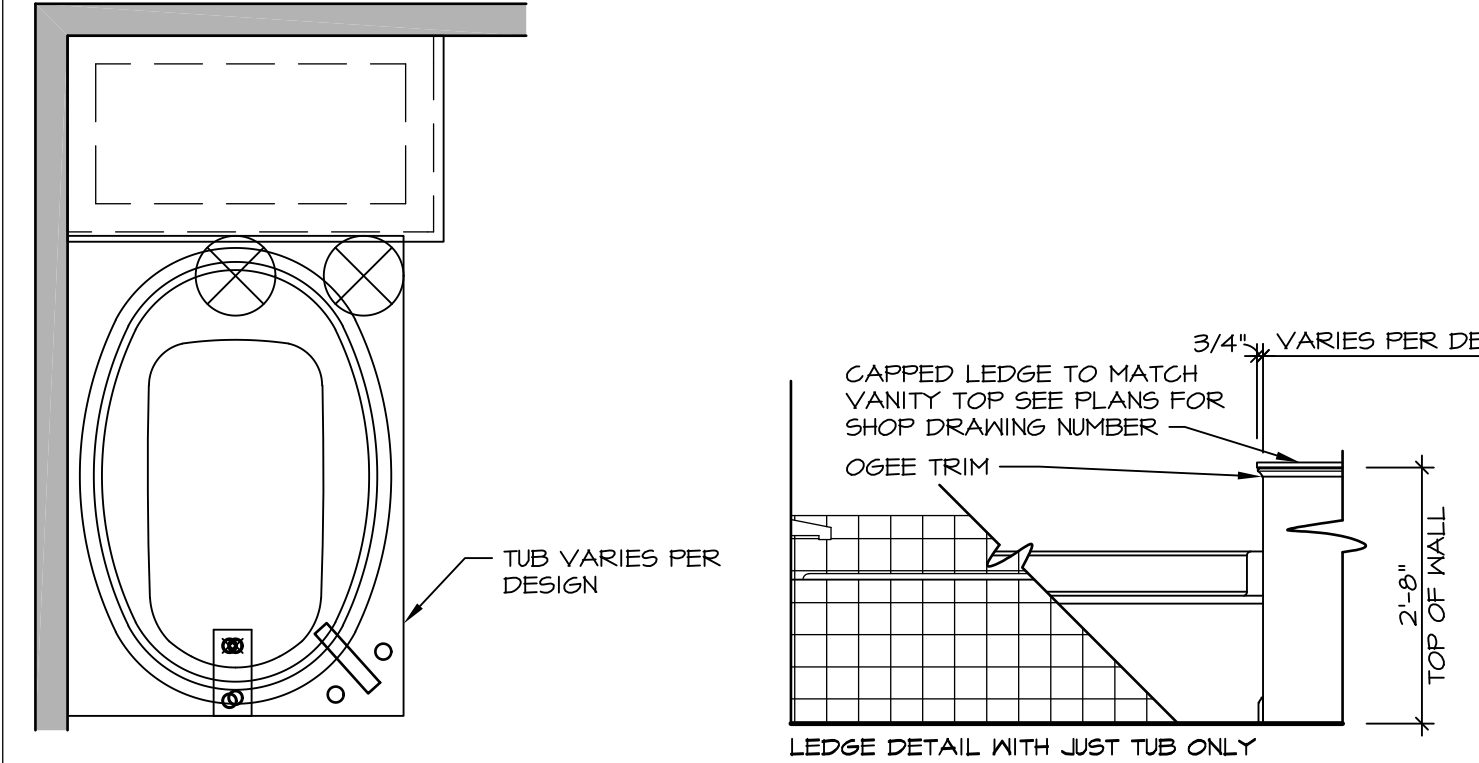
9 SHOWER SEAT PLAN / DETAIL
SCALE: 1/2" = 1'-0"



10 SHOWER SEAT SECTION
SCALE: 1/2" = 1'-0"



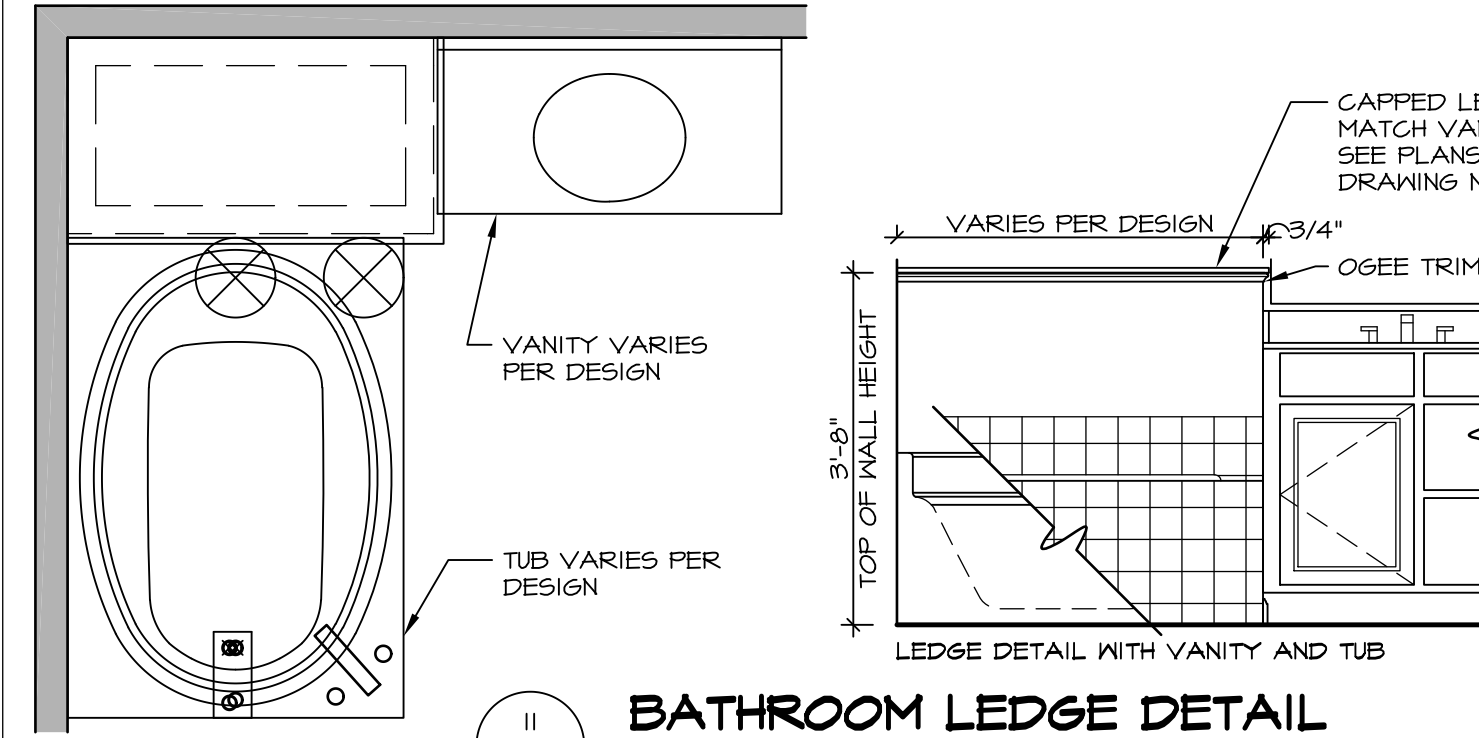
11 SECTION
SCALE: 1" = 1'-0"



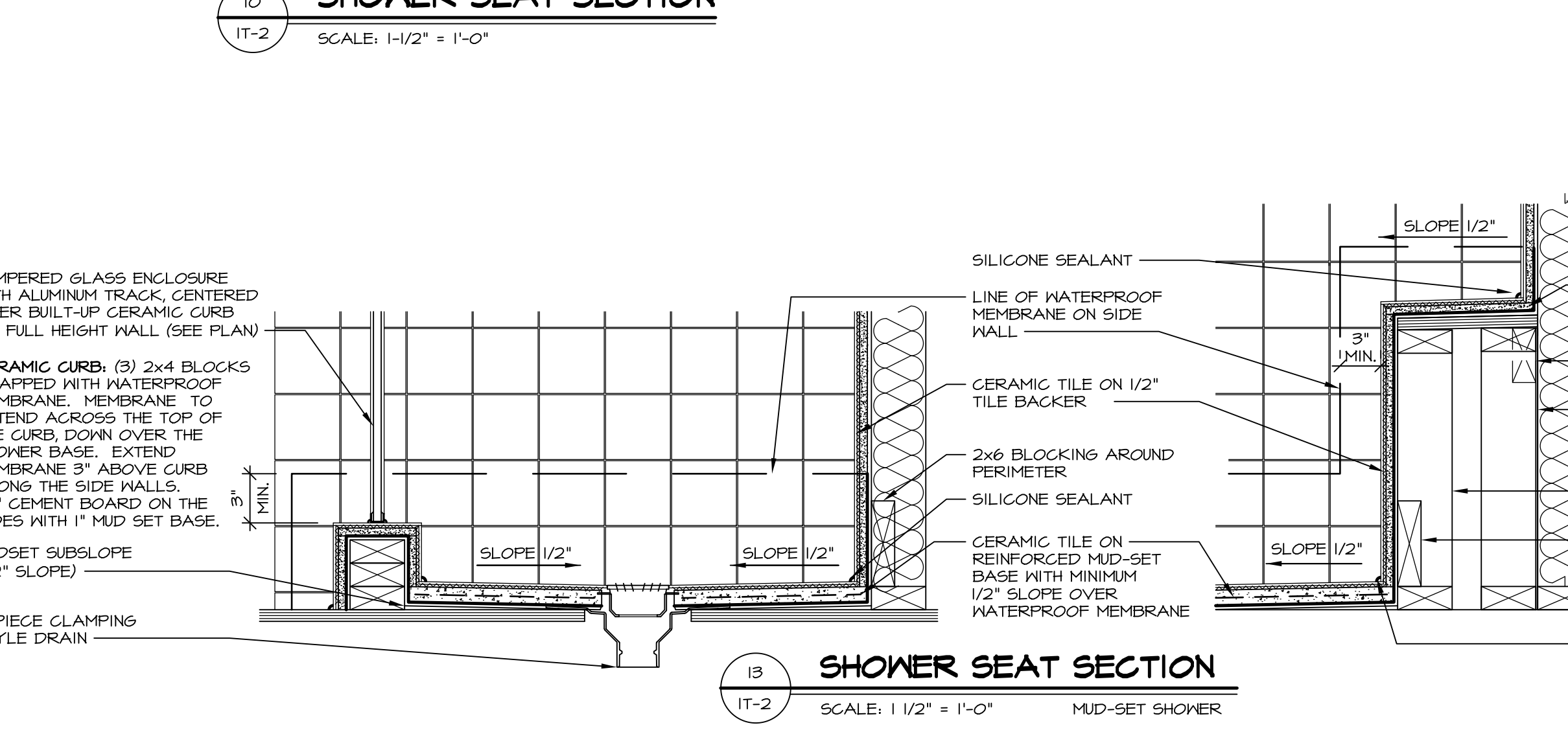
12 BATHROOM LEDGE DETAIL
SCALE: 1/2" = 1'-0"



13 SILL DETAIL
SCALE: 1" = 1'-0"



14 BATHROOM LEDGE DETAIL
SCALE: 1/2" = 1'-0"

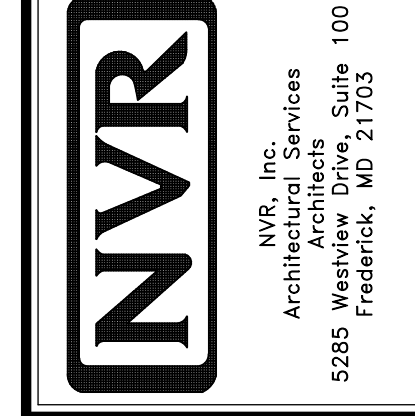


15 SHOWER SEAT SECTION
SCALE: 1/2" = 1'-0" MUD-SET SHOWER

REVISIONS

REV. NO.	DATE	DESCRIPTION
1	5/1/17	EBP - REVISED DETAIL 1 AND 11 TO REMOVE TUB ACCESS PANEL REF. (095 #15 541/4)
2	9/2/17	EBP - REVISED T-FLY NOTE TO CALL OUT LFS
3	9/2/17	EBP - REVISED NOTE ON DETAIL #1 - REVISED ORDER OF MATERIAL PARA#493/4

NVR, Inc., owner, expressly reserves its common law copyright and other property rights in these plans. These plans are not to be reproduced, stored in a retrieval system, or transmitted in any form or by any means, electronic, mechanical, photocopying, recording, or by any information storage and retrieval system, without the prior written consent of NVR, Inc.



SET NO. NVR

VERSION

DRAWN BY

DATE:

OPTION

MODEL

STANDARD DETAILS

DRAWING TITLE

INTERIOR TRIM DETAILS

BATH DETAILS

OPTION DESCRIPTION

SHEET NO. **IT-2**

J:\Dwg\NVR\Interior Trim\IT2.dwg 09/27/17 - 9:20 am