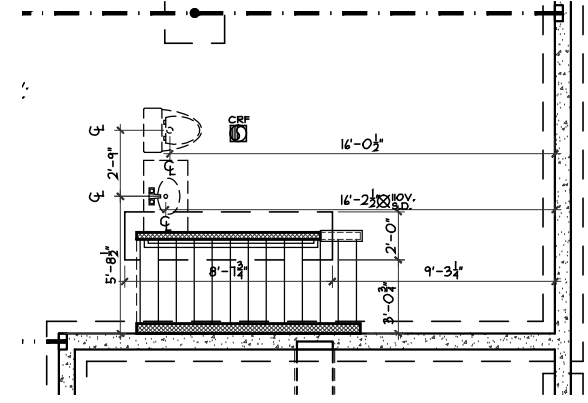
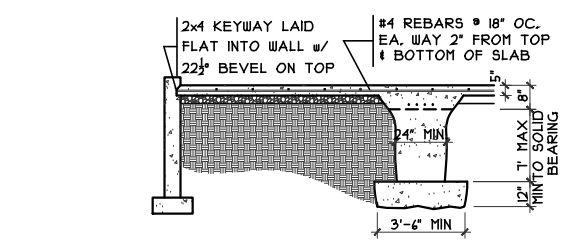


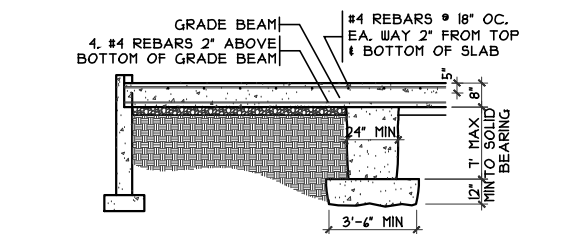
COLUMN DETAIL
SCALE: 1/4" = 1'-0"



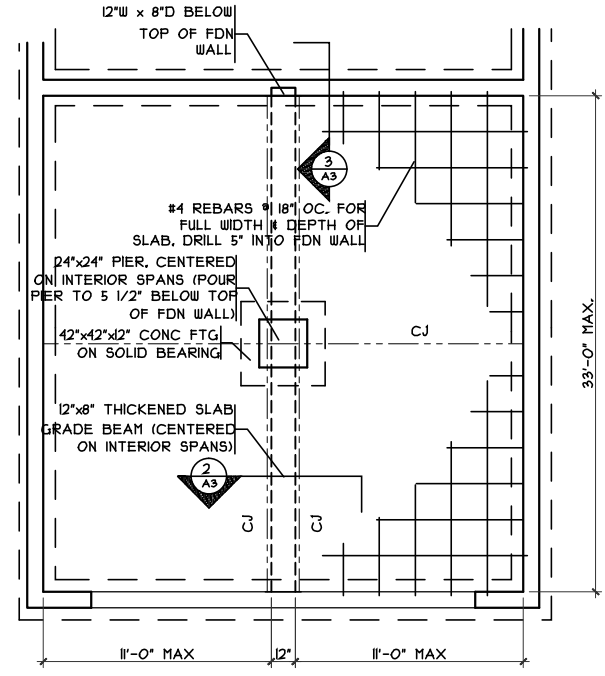
PLUMBING/STRUCTURE DIMS
SCALE: 1/8" = 1'-0"



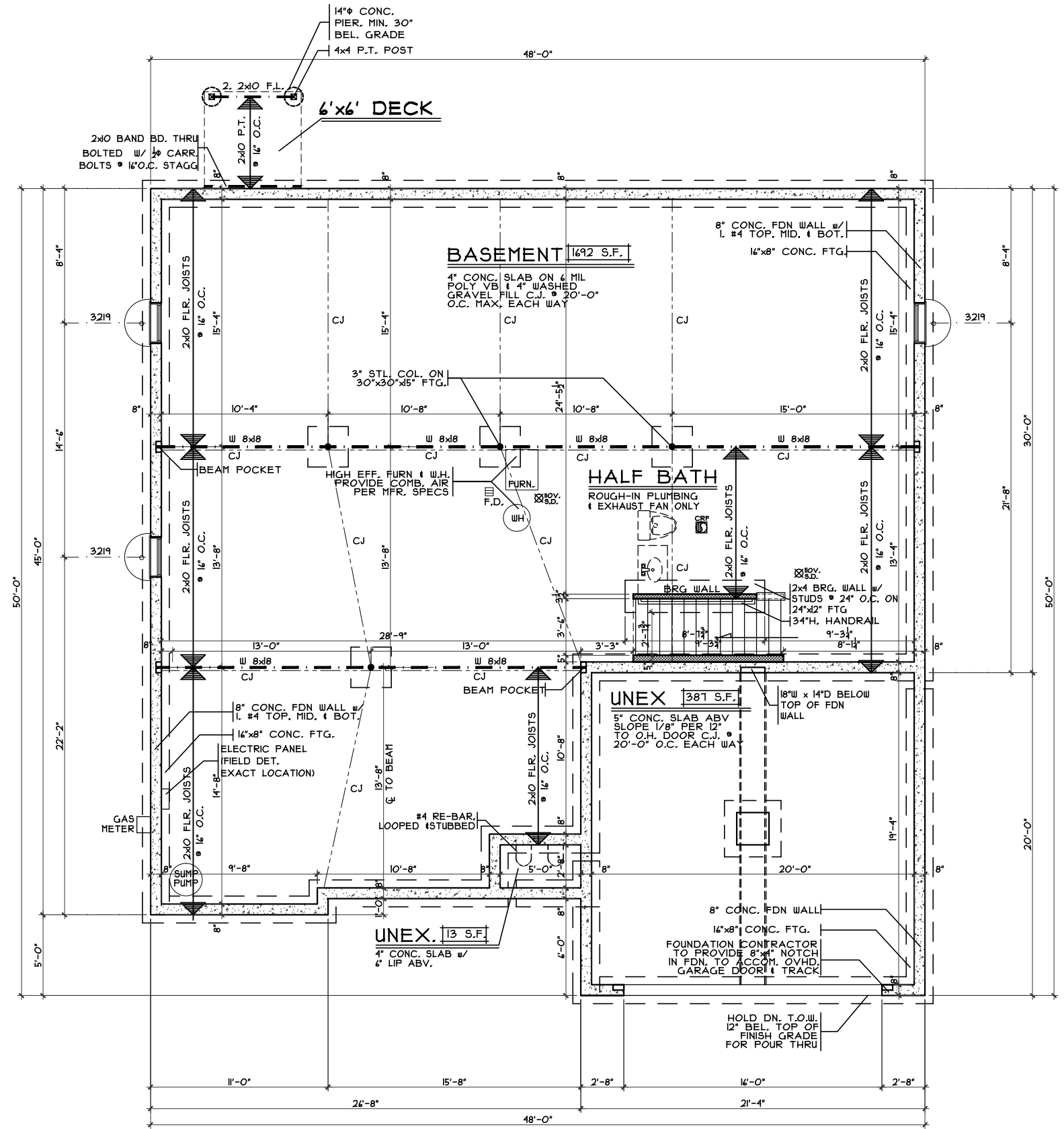
2 GRADE BM SECTION
SCALE: 1/8" = 1'-0"



3 GRADE BM SECTION
SCALE: 1/8" = 1'-0"



GRADE BM DETAIL
SCALE: 1/8" = 1'-0"



FOUNDATION PLAN
SCALE: 1/8" = 1'-0"

Foundation Plan - Craftsman
 Plan : Ellington
 Date : 3/11/16
 Drawn: CKB
 Scale : As Noted
 Revised: 4/29/16
 Sheet : 7 of 20

Ellington - Craftsman - Vinyl
 Cristo Homes reserves all property rights in these plans. These plans are not to be reproduced, changed, or copied in any manner. They are not to be given to a third party, either in full or in part, without first receiving written permission from Cristo Homes. In the event these plans are used by a third party, Cristo Homes shall be held harmless.

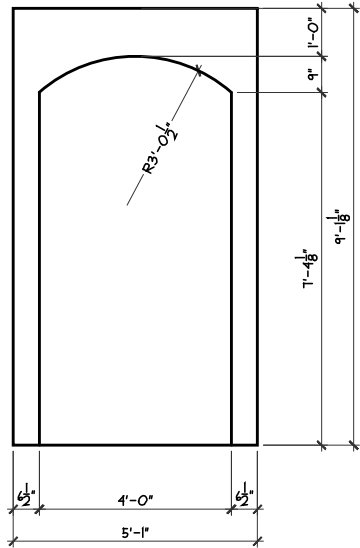
Proposed Residence:
 Market Home
 1038 Golden Oak Drive
 Gardner Ridge Lot #1570

Hamilton, OH
 Butler County

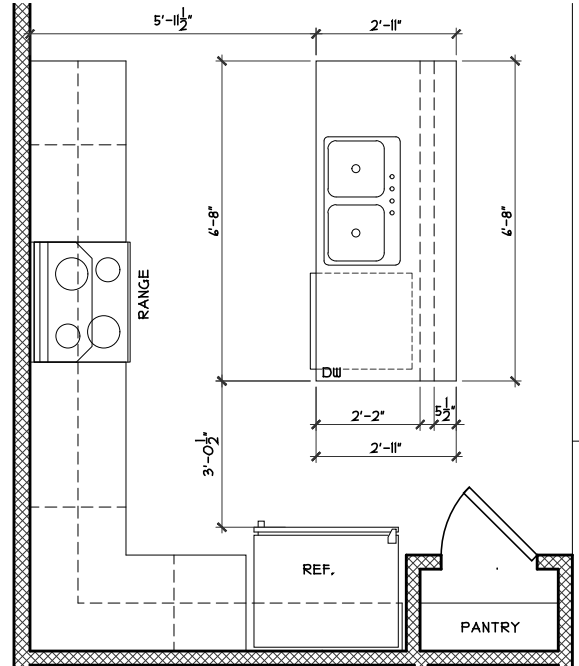
CRISTO HOMES
 7594-A Tyers Place Blvd.
 West Chester, OH 45069
 513.755.0570 www.cristohomes.com

Issue Dates:
 Revised 3/9/16
 Revised 4/29/16

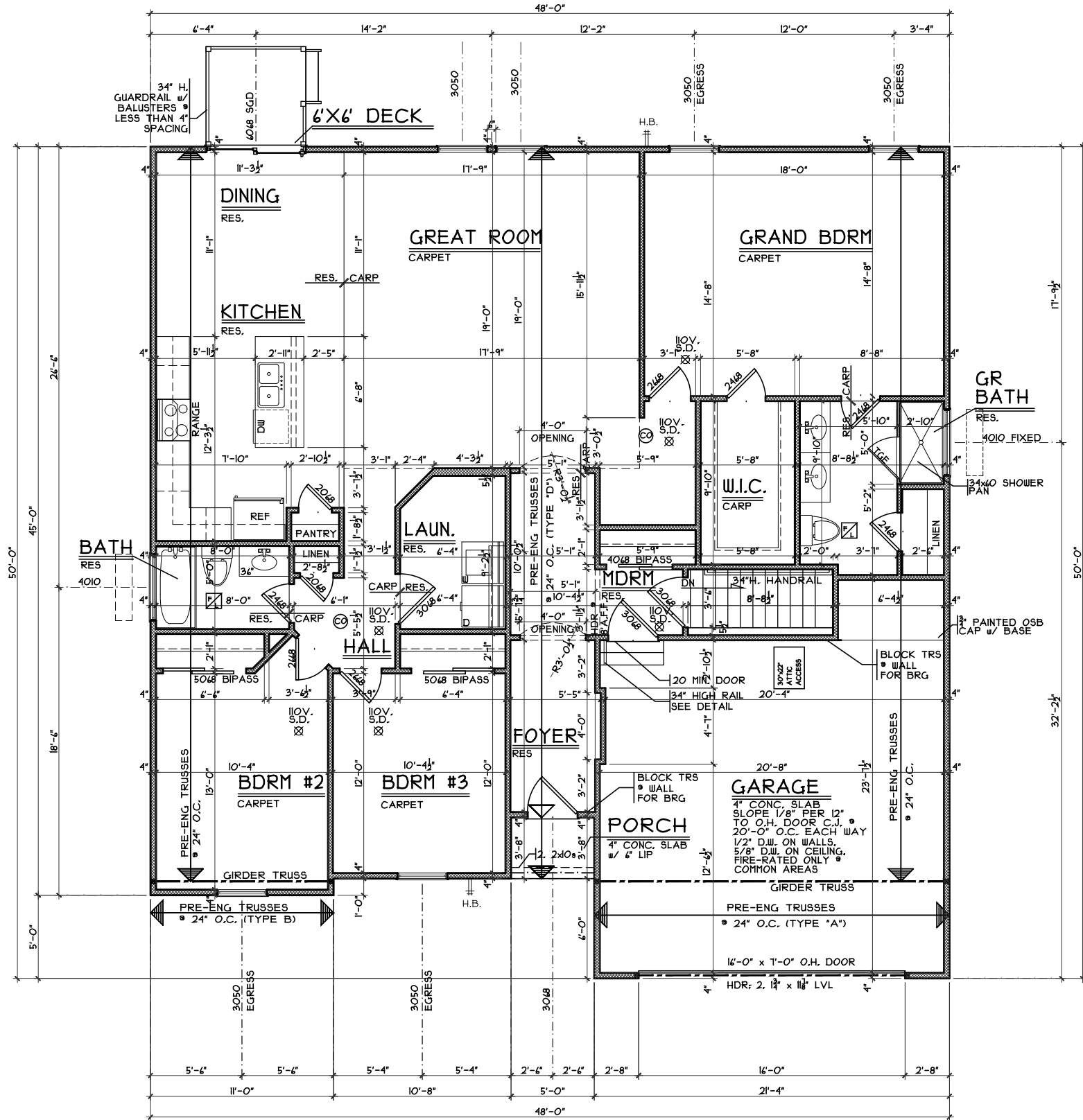
A3



ARCHED OPG. DET.
SCALE: 1/4" = 1'-0"



ISLAND FRM'G DETAIL
SCALE: 1/4" = 1'-0"



FIRST FLOOR PLAN

SCALE: 1/8" = 1'-0"

1194 S.F.

First Floor Plan - Craftsman

Plan : Ellington
Date : 3/11/16
Drawn: CKB
Scale : As Noted
Revised: 4/29/16
Sheet : 9 of 20

GAR1-1570

Proposed Residence:

Market Home
1038 Golden Oak Drive
Gardner Ridge Lot #1570

Hamilton, OH

Butler County

Ellington - Craftsman - Vinyl

Cristo Homes reserves all property rights in these plans. These plans are not to be reproduced, changed, or copied in any manner. They are not to be given to a third party, either in full or in part, without first receiving written permission from Cristo Homes. In the event these plans are used by a third party, Cristo Homes shall be held harmless.

Issue Dates

Revised	3/9/16
Revised	4/29/16



7994-A Tyers Place Blvd.
West Chester, OH 45069
513.755.0570 www.cristohomes.com

A4