

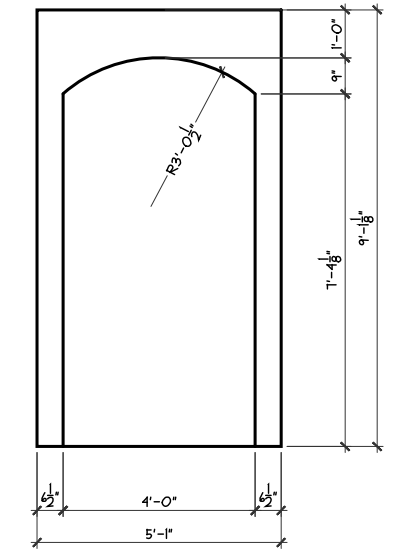
Foundation Plan - Craftsman | **GR-1581** | **Proposed Residence:** Maupin Residence, 225 Weeping Oak Drive, Gardner Ridge Lot #1581, Hamilton Butler County

Issue Dates:
 Review #1: 3/21/17
 Review #2: 3/22/17
 Review #3: 3/29/17

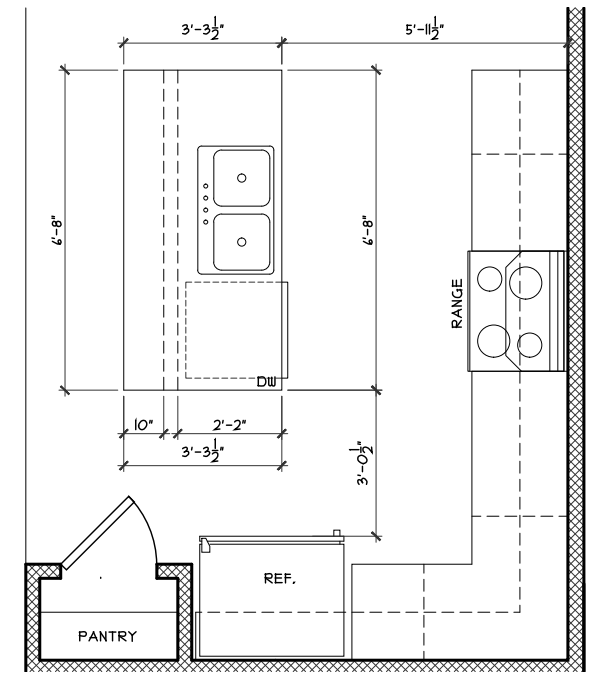
CRISTO HOMES
 7994-A Tylers Place Blvd.
 West Chester, OH 45069
 513.755.0570 | www.cristohomes.com

Plan: Ellington
 Date: 3/6/17
 Drawn: CKB
 Scale: As Noted
 Revised: 3/29/17
 Sheet: 3 of 10

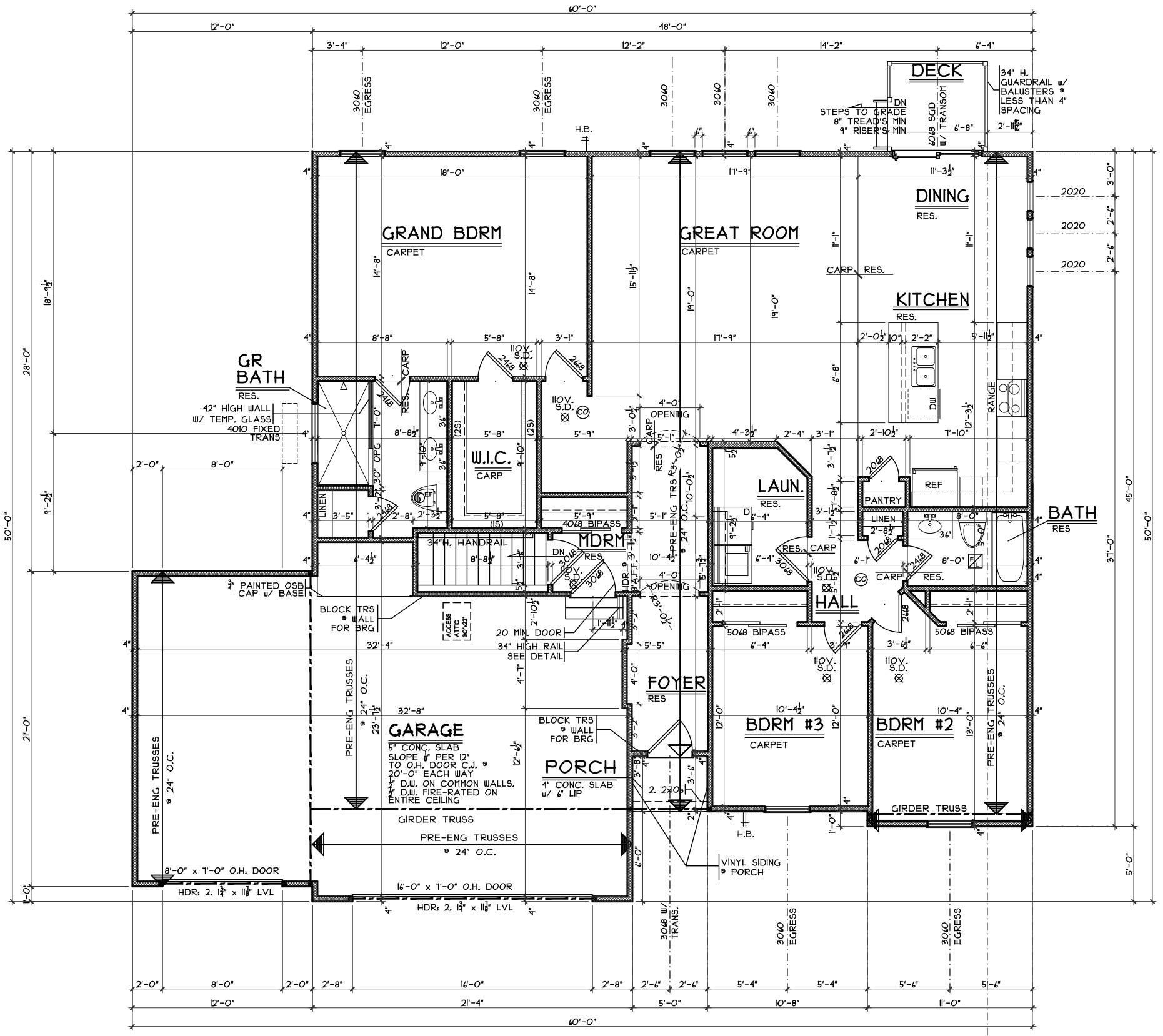
A3



ARCHCED OPG. DET.
SCALE: 1/4" = 1'-0"



ISLAND FRM'G DETAIL
SCALE: 1/4" = 1'-0"



FIRST FLOOR PLAN
SCALE: 1/8" = 1'-0" 1180 S.F.

First Floor Plan - Craftsman

Plan : Ellington
Date : 3/6/17
Drawn: CKB
Scale : As Noted
Revised: 3/29/17
Sheet : 4 of 10

Proposed Residence:
Maupin Residence
225 Weeping Oak Drive
Gardner Ridge Lot #1581

Ellington - Craftsman - Vinyl

Cristo Homes reserves all property rights in these plans. These plans are not to be reproduced, changed, or copied in any manner. They are not to be given to a third party, either in full or in part, without first receiving written permission from Cristo Homes. In the event these plans are used by a third party, Cristo Homes shall be held harmless.

Hamilton
Butler County

Issue Dates
Review #1 3/21/17
Review #2 3/22/17
Review #3 3/29/17



A4