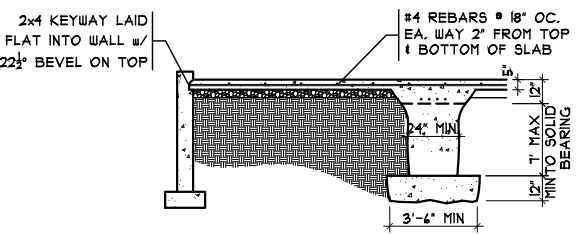
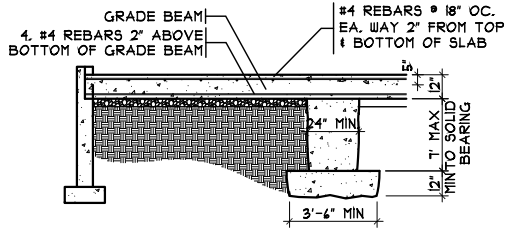


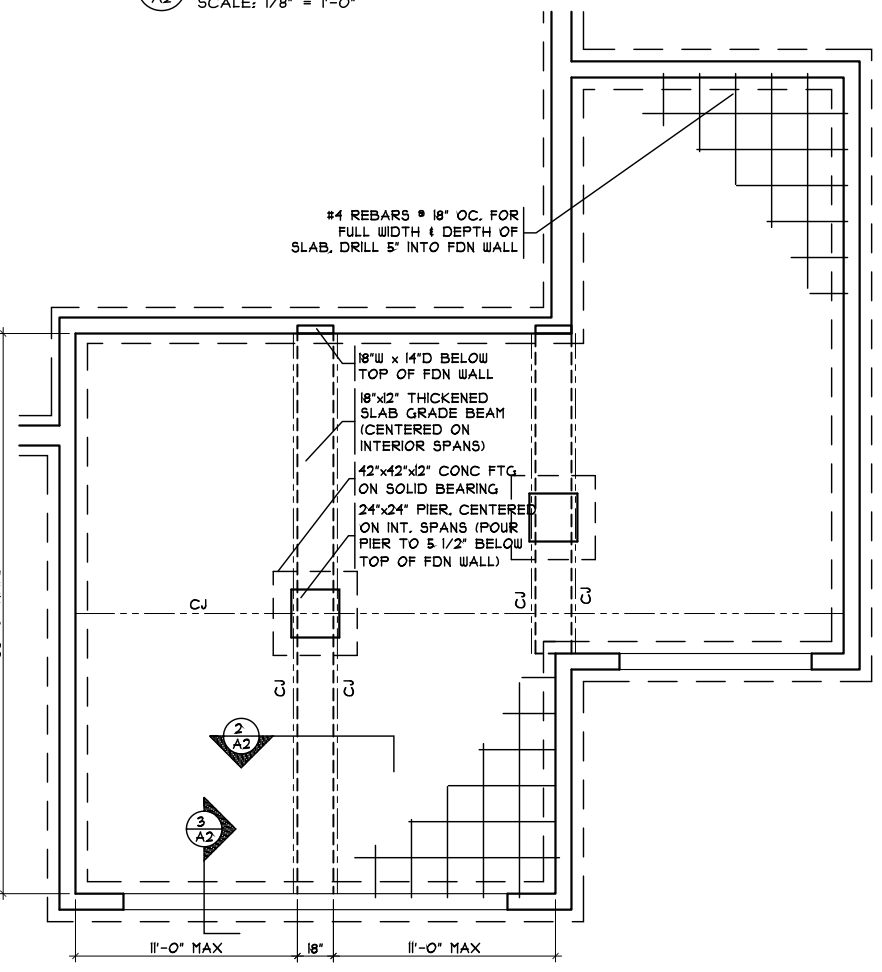
1 THICKENED SLAB DETAIL
SCALE: 1/4" = 1'-0"



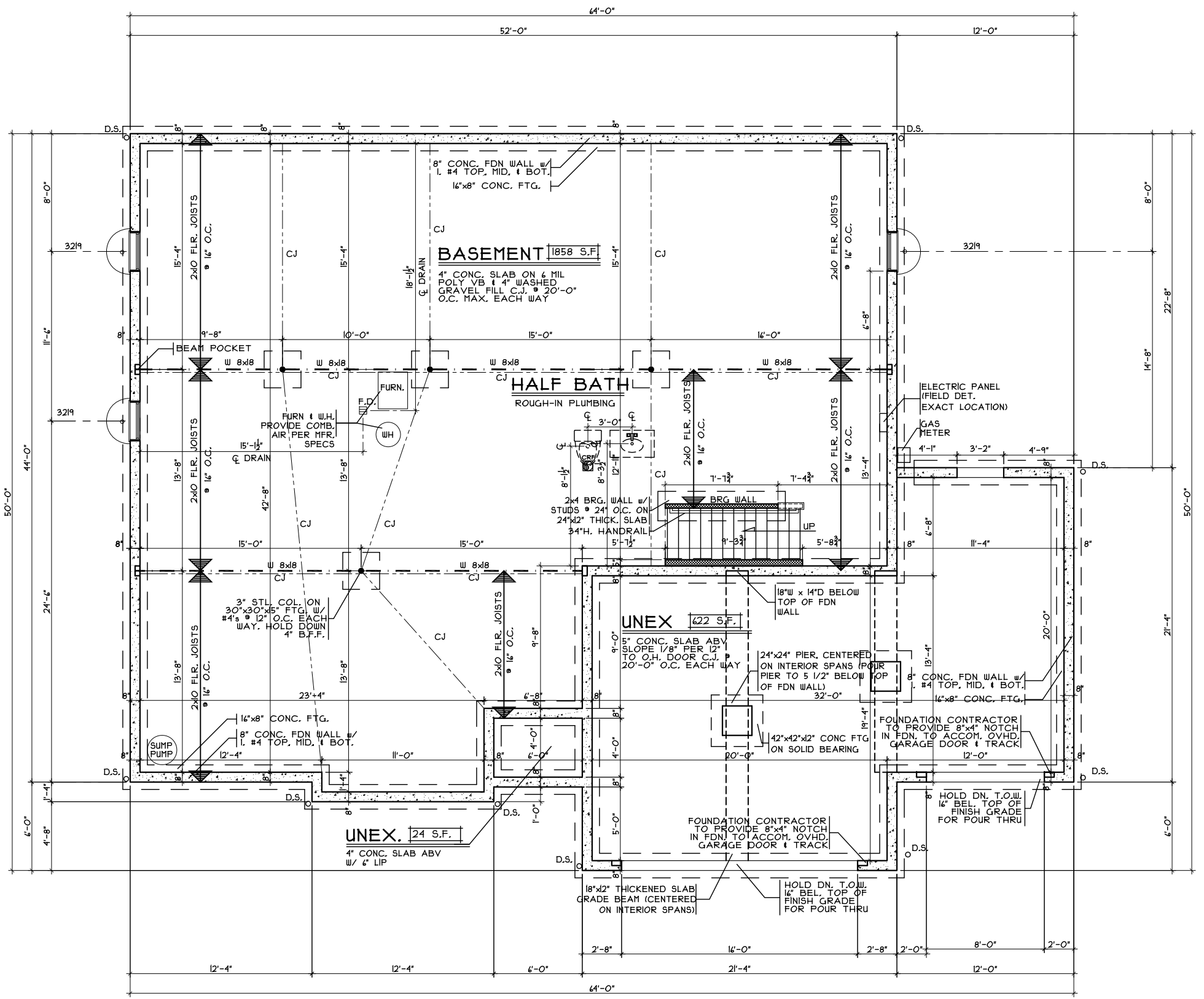
2 GRADE BM SECTION
SCALE: 1/8" = 1'-0"



1 GRADE BM SECTION
SCALE: 1/8" = 1'-0"



GRADE BM DETAIL
SCALE: 1/8" = 1'-0"



FOUNDATION PLAN
SCALE: 1/8" = 1'-0"

Issue Dates

Review	2.17.2015
Finals	2.26.2015
Revised	3.12.2015

Harcroft - Craftsman
Cristo Homes reserves all property rights in these plans. These plans are not to be reproduced, changed, or copied in any manner. They are not to be given to a third party, either in full or in part, without first receiving written permission from Cristo Homes. In the event these plans are used by a third party, Cristo Homes shall be held harmless.

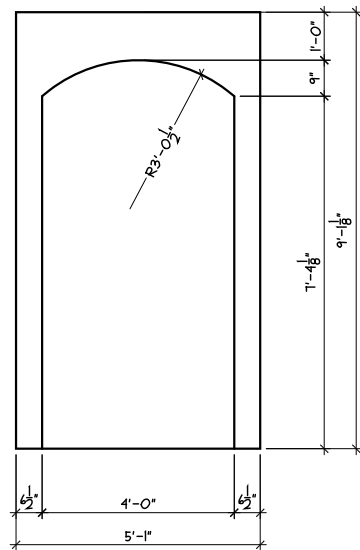
Turtletcreek Twp.
Warren County

Proposed Residence:
Scholl Residence
224 Oxon Pass
Lot #25 Estates of Keever Creek

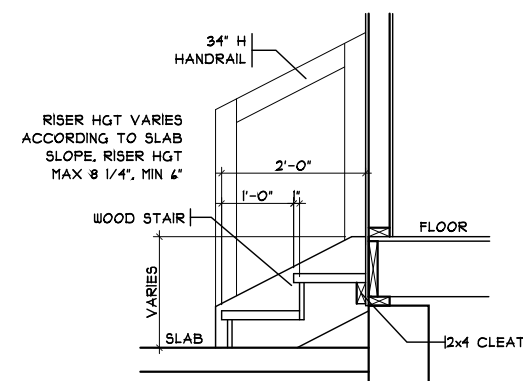


Foundation Plan
Plan : Harcroft
Date : 2.17.2015
Drawn: RHK
Scale : As Noted
Revised:
Sheet : 7 of 22

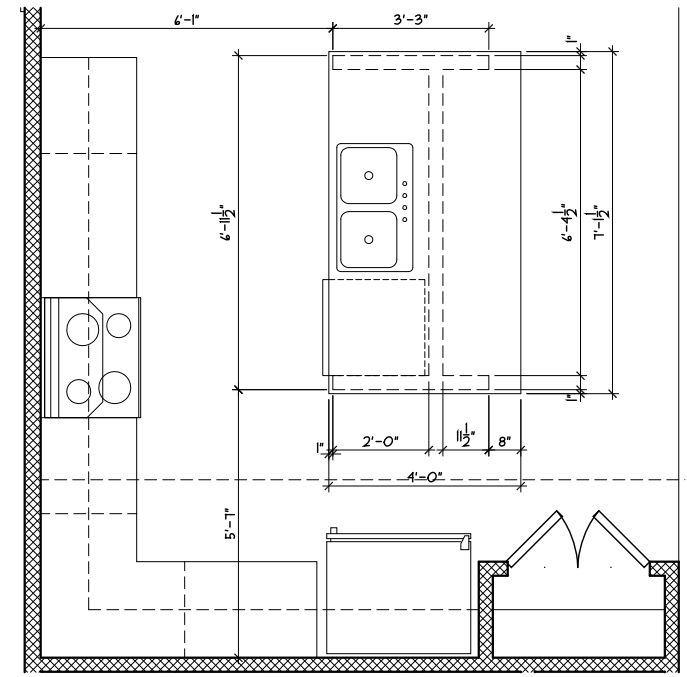
A3



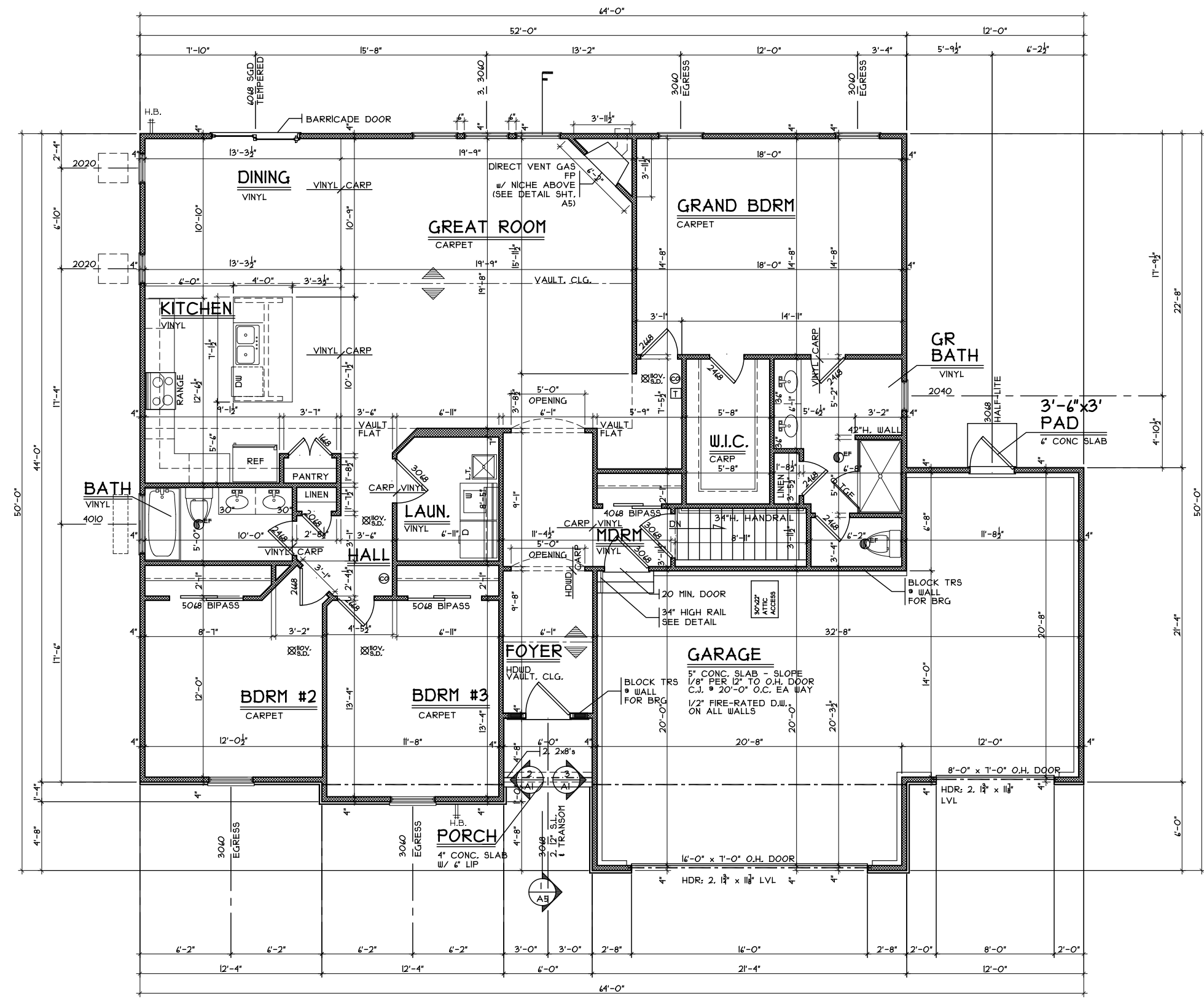
ARCH DET.
SCALE: 1/8" = 1'-0"



GARAGE HANDRAIL DET.
SCALE: 1/8" = 1'-0"



ISLAND FRM'G/CAB'T LAYOUT
SCALE: 1/4" = 1'-0"



FIRST FLOOR PLAN
SCALE: 1/8" = 1'-0"

First Floor Plan - Elevation 'K'

Plan : Harcroft
Date : 2.17.2015
Drawn: BHK
Scale : As Noted
Revised:
Sheet : 10of 22

CristoHomes
7594A Tylers Place Blvd.
West Chester, OH 45069
513.755.0570 www.cristohomes.com

Proposed Residence:
Scholl Residence
224 Oxon Pass
Lot #25 Estates of Keever Creek

Turtlecreek Twp.
Warren County

Harcroft - Craftsman

Issue Dates

Review	2.17.2015
Finals	2.26.2015
Revised	3.12.2015

Cristo Homes reserves all property rights in these plans. These plans are not to be reproduced, changed, or copied in any manner. They are not to be given to a third party, either in full or in part, without first receiving written permission from Cristo Homes. In the event these plans are used by a third party, Cristo Homes shall be held harmless.