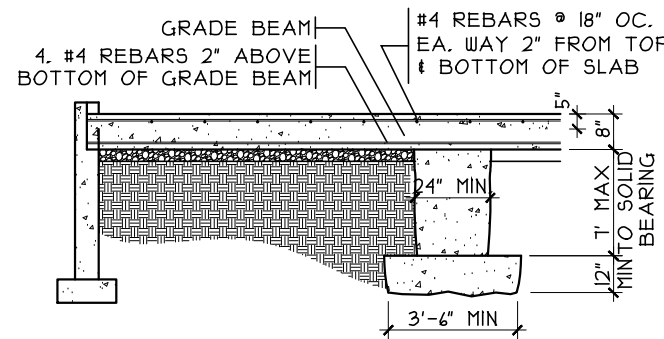
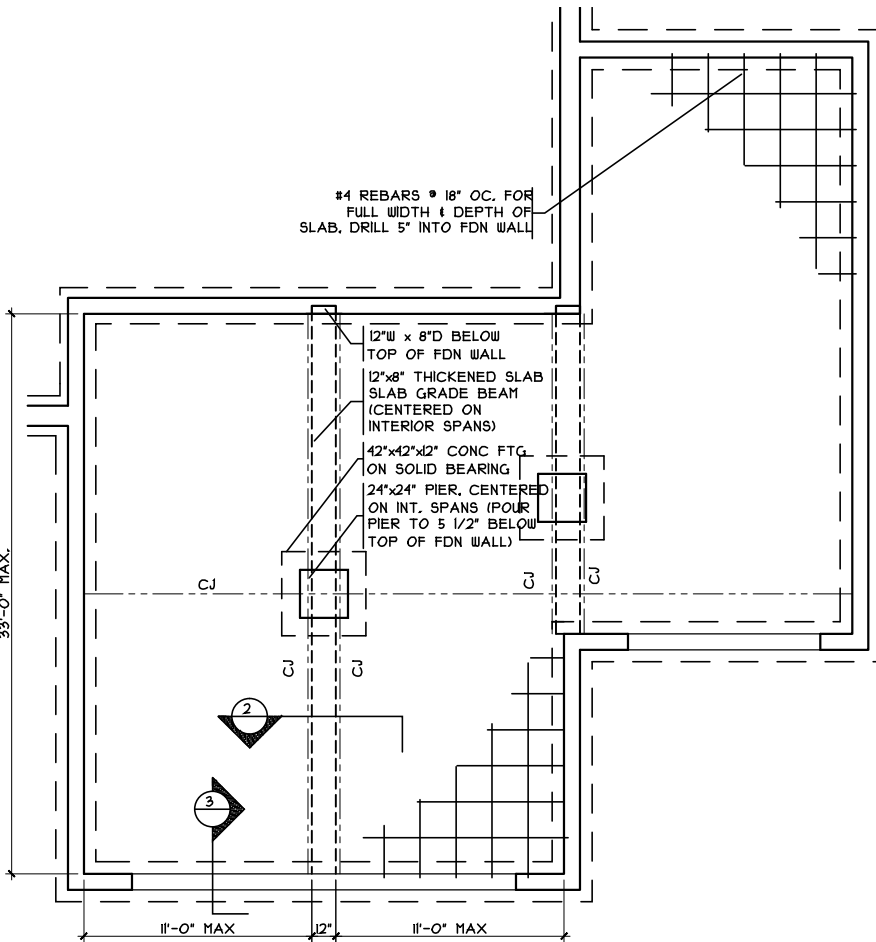


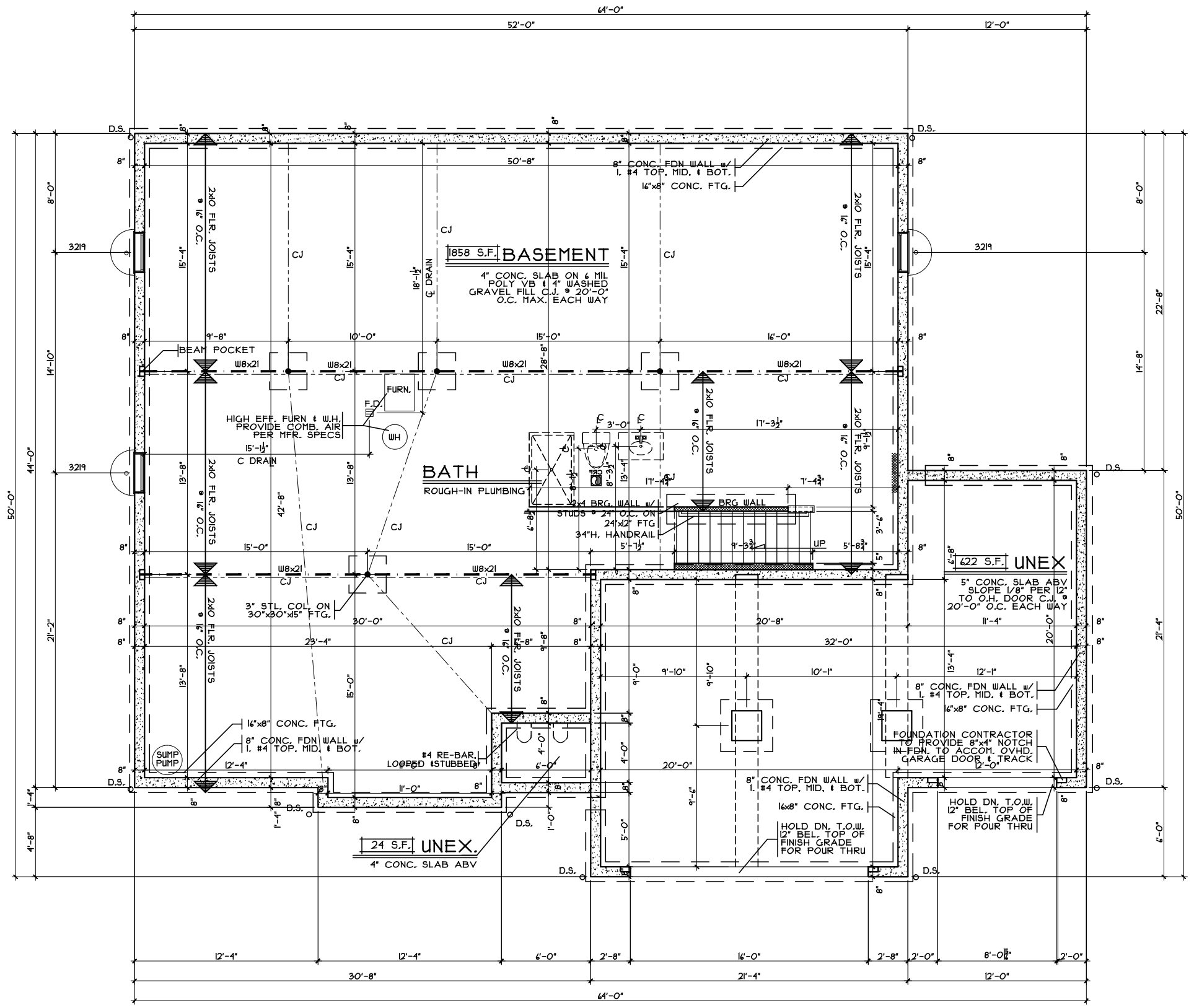
2 GRADE BM SECTION
SCALE: 1/8" = 1'-0"



3 GRADE BM SECTION
SCALE: 1/8" = 1'-0"



GRADE BM DETAIL
SCALE: 1/8" = 1'-0"



FOUNDATION PLAN
SCALE: 1/8" = 1'-0"

Foundation Plan

Plan : Harcroft
Date : 7.24.2015
Drawn: WLH
Scale : As Noted
Revised: 10.22.2015
Sheet : 3 of 12

KCKI-0029

Proposed Residence:

Market Home
256 Oxon Pass
Lot #29 Estates of Keever Creek



7594-A Tylers Place Blvd.
West Chester, OH 45389
513.755.0570 www.cristohomes.com

Harcroft - Craftsman (Vinyl)

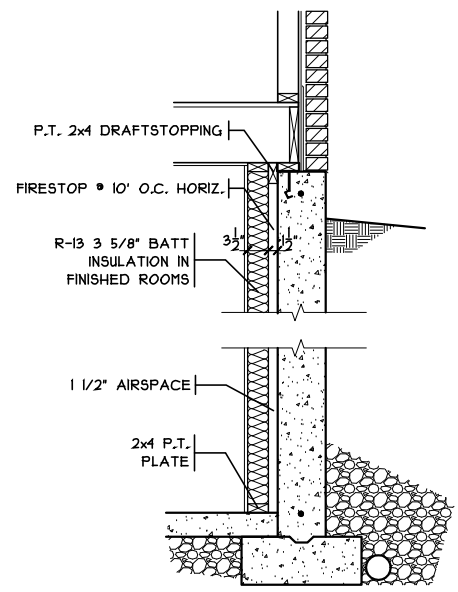
Cristo Homes reserves all property rights in these plans. These plans are not to be reproduced, changed, or copied in any manner. They are not to be given to a third party, either in full or in part, without first receiving written permission from Cristo Homes. In the event these plans are used by a third party, Cristo Homes shall be held harmless.

Issue Dates

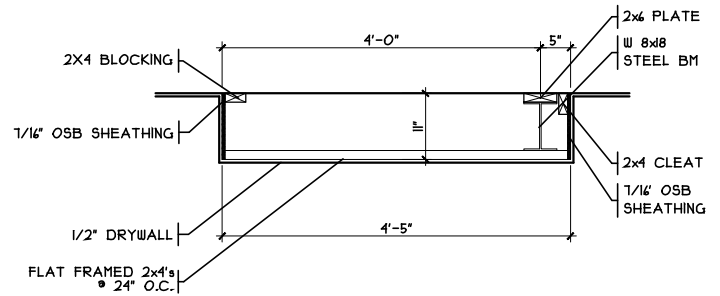
Review	8.6.2015
Finals	8.26.2015
Revised	10/22/15
Revised	10/23/15

Turtlecreek Twp.
Warren County

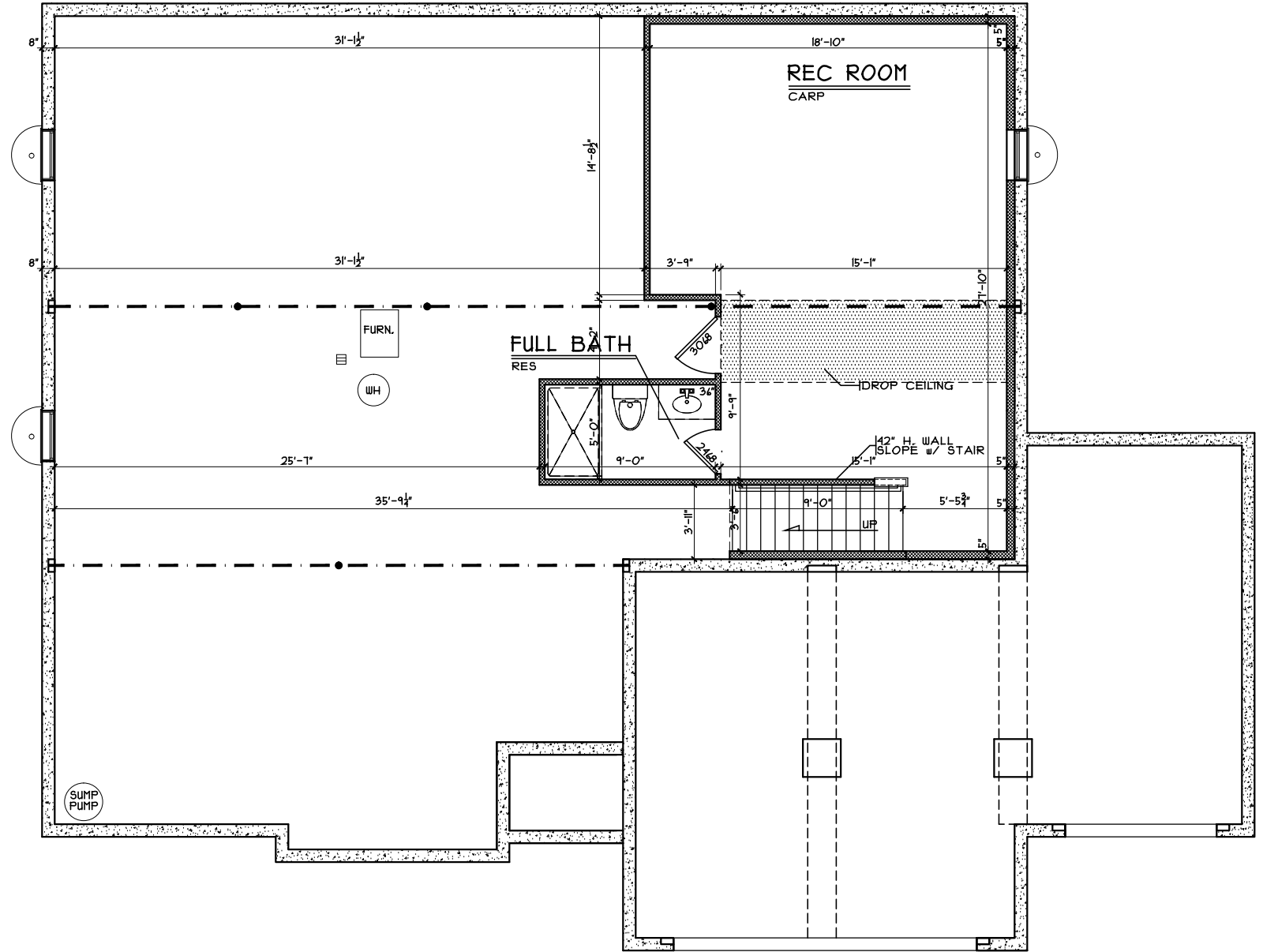
A3



FIN. LL WALL DETAIL
SCALE: 3/8" = 1'-0"



DROP CLG. DETAIL
SCALE: 3/8" = 1'-0"



FINISHED LOWER LEVEL
SCALE: 1/8" = 1'-0" 558 S.F.

Foundation Plan

Plan : Harcroft
Date : 7.24.2015
Drawn: WLH
Scale : As Noted
Revised: 10.22.2015
Sheet : 4 of 12



7594-A Tylers Place Blvd.
West Chester, OH 45069
513.755.0570 www.cristohomes.com

KCK1-0029

Proposed Residence:
Market Home
256 Oxon Pass
Lot #29 Estates of Keever Creek

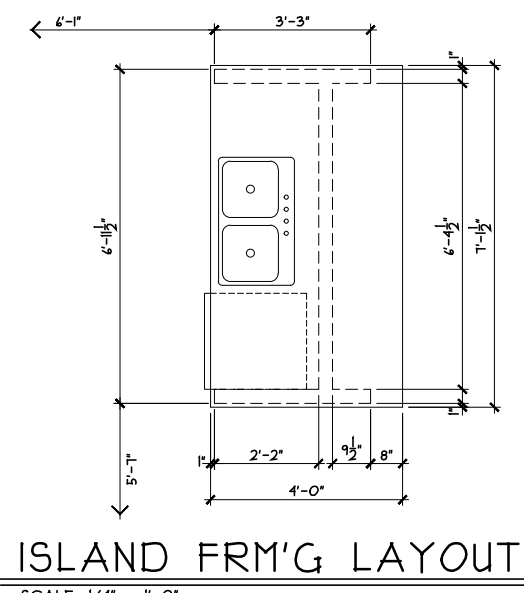
Turtlecreek Twp.
Warren County

Harcroft - Craftsman (Vinyl)

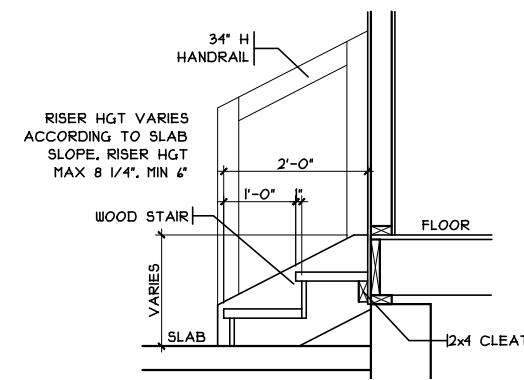
Cristo Homes reserves all property rights in these plans. These plans are not to be reproduced, changed, or copied in any manner. They are not to be given to a third party, either in full or in part, without first receiving written permission from Cristo Homes. In the event these plans are used by a third party, Cristo Homes shall be held harmless.

Issue Dates

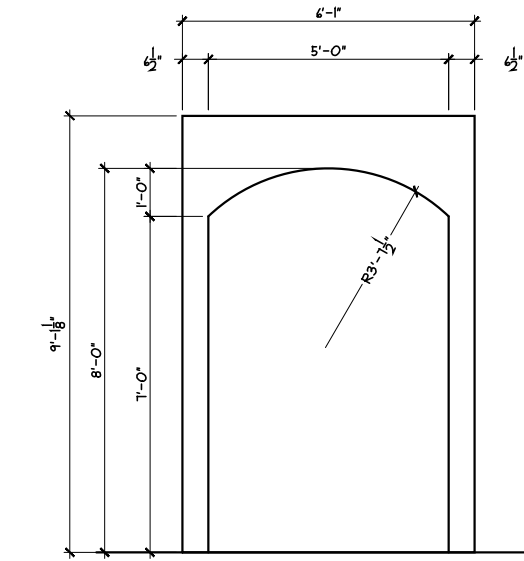
Review	8.6.2015
Finals	
Revised	8.26.2015
Revised	10/22/15
Revised	10/23/15



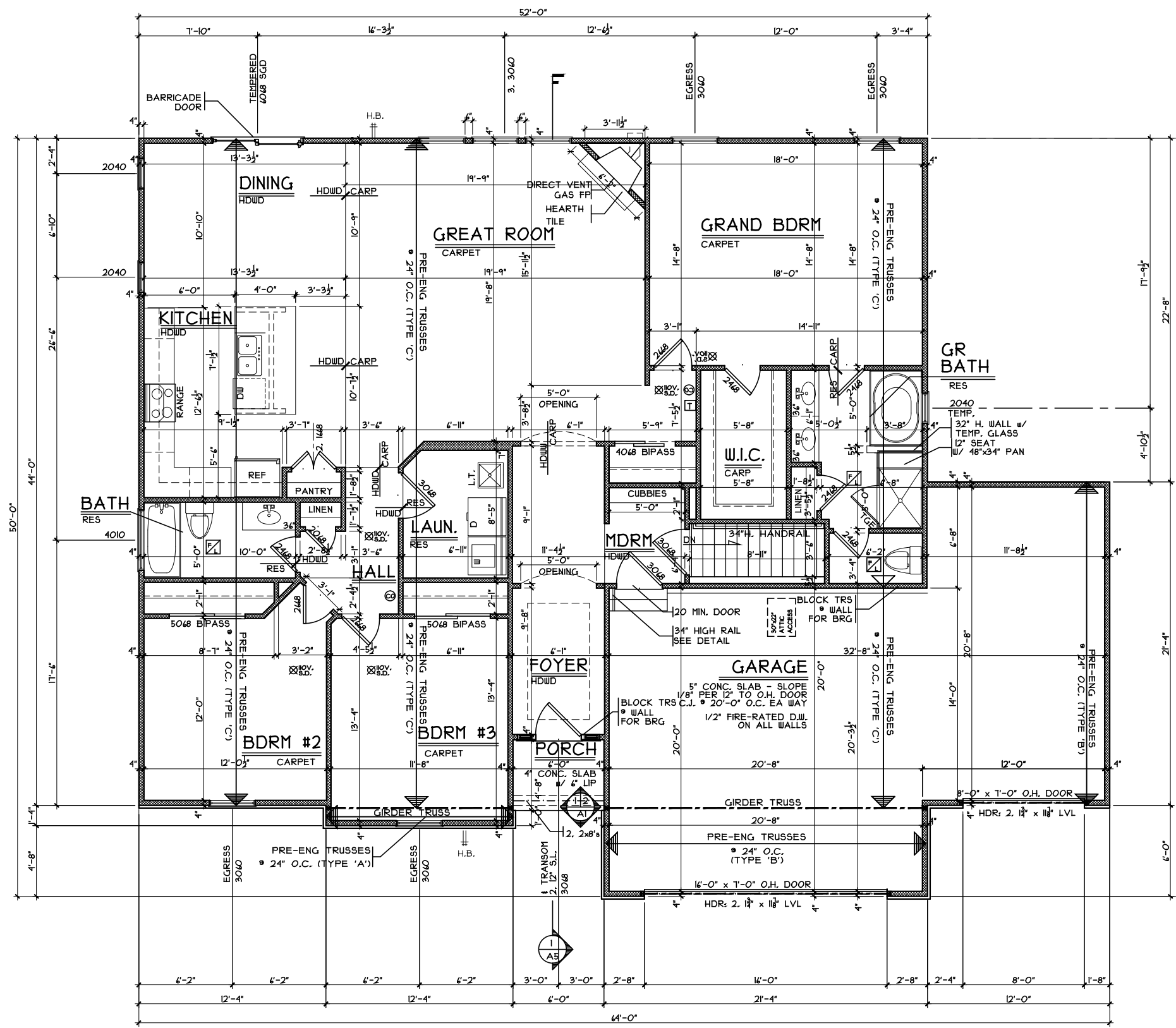
ISLAND FRM'G LAYOUT
SCALE: 1/4" = 1'-0"



GARAGE HANDRAIL DETAIL
SCALE: 1/8" = 1'-0"



FOYER ARCH DETAIL
SCALE: 1/8" = 1'-0"



FIRST FLOOR PLAN
SCALE: 1/8" = 1'-0"

1915 S.F.

First Floor Plan

Plan : Harcroft
Date : 7.24.2015
Drawn: WLH
Scale : As Noted
Revised: 10.22.2015
Sheet : 5 of 12



7594-A Tylers Place Blvd.
West Chester, OH 45389
513.755.0570 www.cristohomes.com

KCK1-0029

Proposed Residence:
Market Home
256 Oxon Pass
Lot #29 Estates of Keever Creek

Turtlecreek Twp.
Warren County

Harcroft - Craftsman (Vinyl)

Cristo Homes reserves all property rights in these plans. These plans are not to be reproduced, changed, or copied in any manner. They are not to be given to a third party, either in full or in part, without first receiving written permission from Cristo Homes. In the event these plans are used by a third party, Cristo Homes shall be held harmless.

Issue Dates	Review
8.6.2015	Finals
8.26.2015	Revised
10/22/15	Revised
10/23/15	Revised

A4