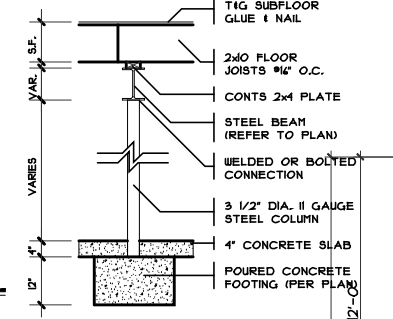
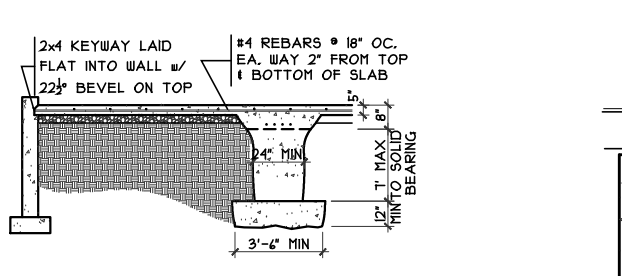


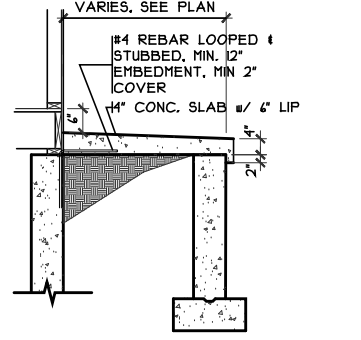
PLUMBING/STRUCTURE DIMS
SCALE: 1/8" = 1'-0"



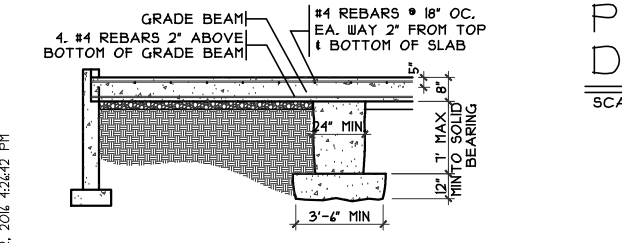
COLUMN DETAIL
SCALE: 1/4" = 1'-0"



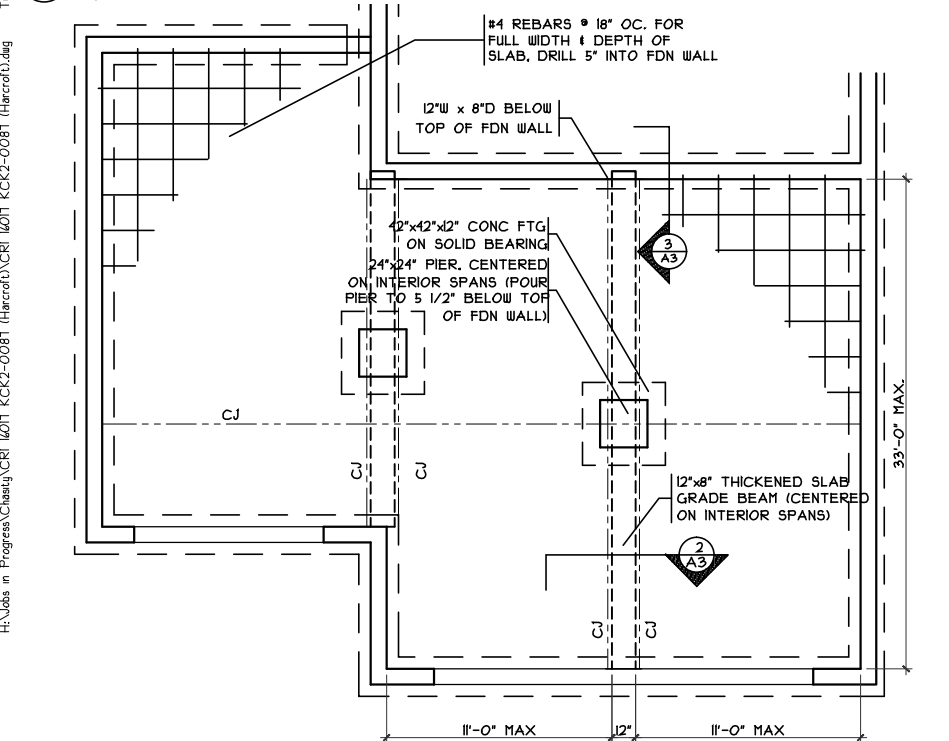
GRADE BM SECTION
SCALE: 1/8" = 1'-0"



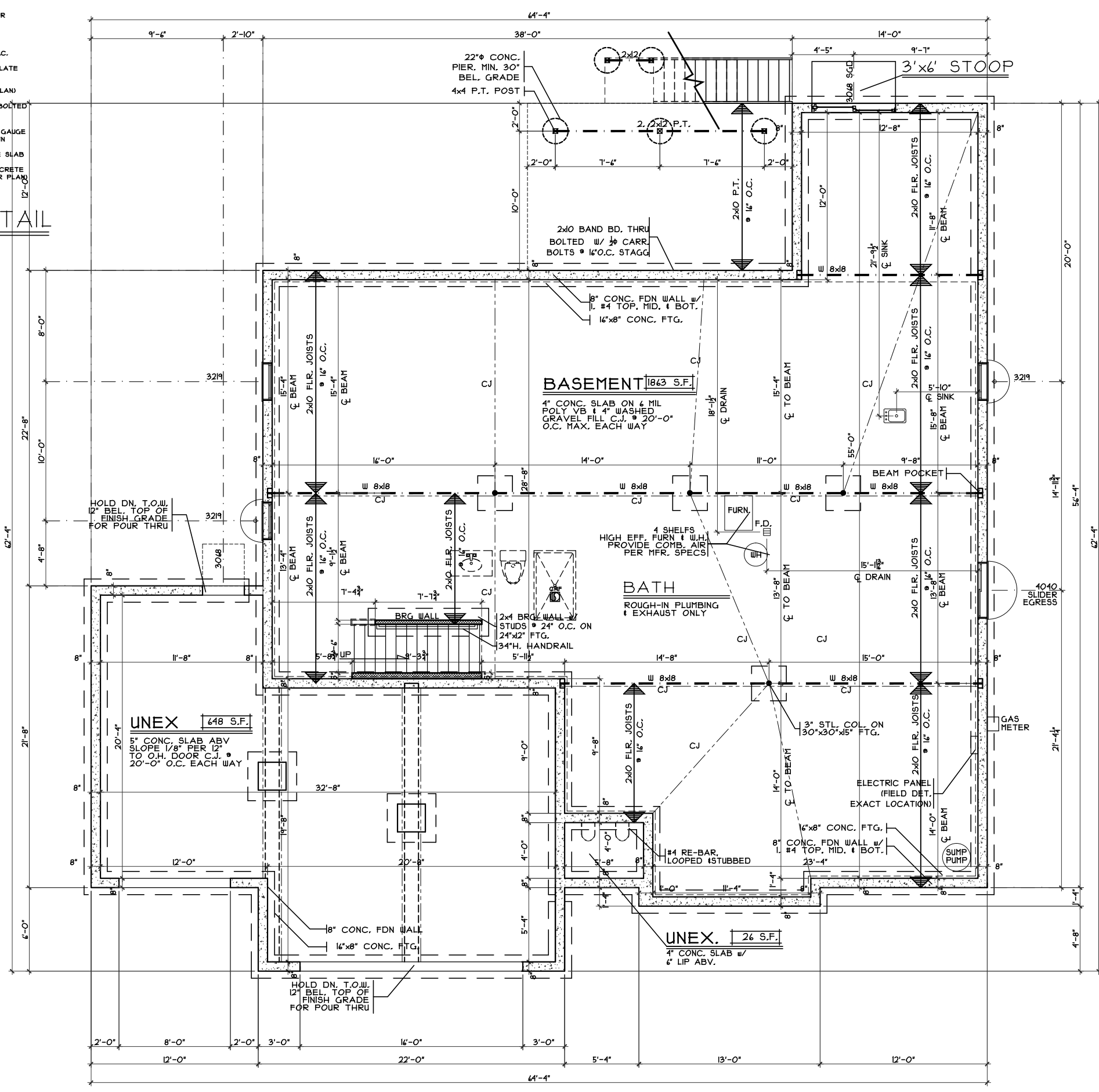
PORCH SLAB DETAIL
SCALE: 1/4" = 1'-0"



GRADE BM SECTION
SCALE: 1/8" = 1'-0"



GRADE BM DETAIL
SCALE: 1/8" = 1'-0"



FOUNDATION PLAN
SCALE: 1/8" = 1'-0"

Foundation Plan - Traditional
 Plan : Harcroft
 Date : 3/2/16
 Drawn: CKB
 Scale : As Noted
 Revised: 4/12/16
 Sheet : 7 of 21

KCK2-0087
 Proposed Residence:
 Hatfield Residence
 Keever Pass Lot 87
 Estates of Keever Creek

Municipality
 County

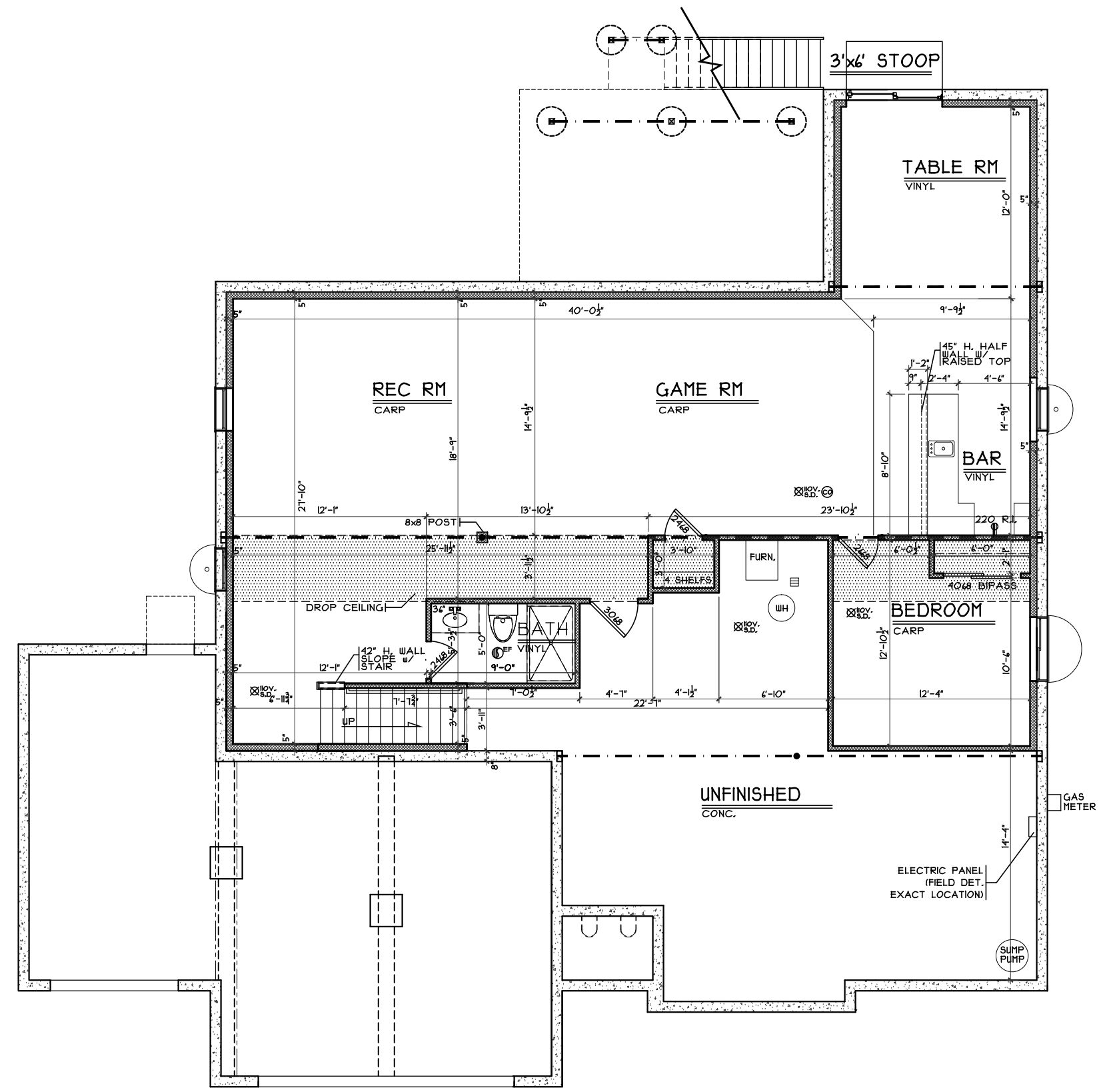
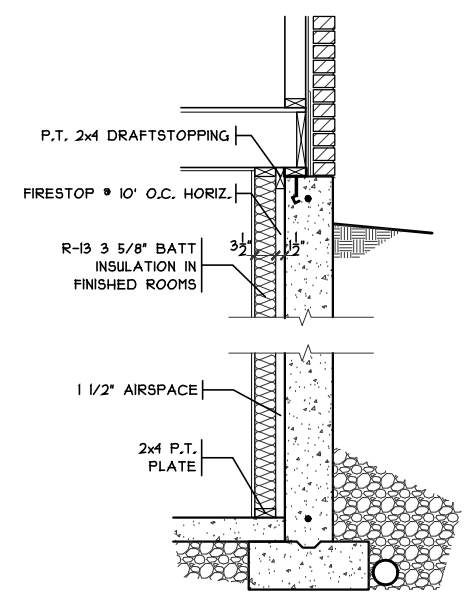
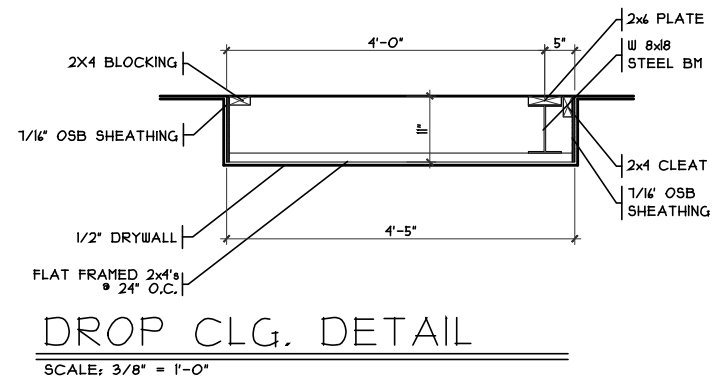
Issue Dates

Revised	3/8/16
Revised	3/16/16
Revised	3/25/16
Revised	3/30/16
Revised	4/12/16

Harcroft - Traditional - Vinyl
 Cristo Homes reserves all property rights in these plans. These plans are not to be reproduced, changed, or copied in any manner. They are not to be given to a third party, either in full or in part, without first receiving written permission from Cristo Homes. In the event these plans are used by a third party, Cristo Homes shall be held harmless.

CRISTO HOMES
 7594-A Tylers Place Blvd.
 West Chester, OH 45399
 513.755.0570 www.cristohomes.com

A3



Finished Lower Level - Traditional

Plan : Harcroft
Date : 3/2/16
Drawn: CKB
Scale : As Noted
Revised: 4/12/16
Sheet : 8 of 21

KCK2-0087
Proposed Residence:
Hatfield Residence
Keever Pass Lot 87
Estates of Keever Creek

Municipality
County

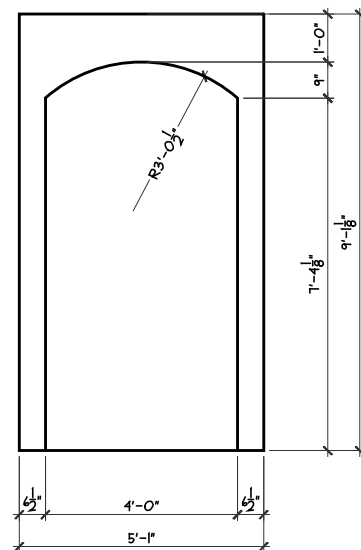
Issue Dates

Revised	3/8/16
Revised	3/16/16
Revised	3/25/16
Revised	3/30/16
Revised	4/12/16

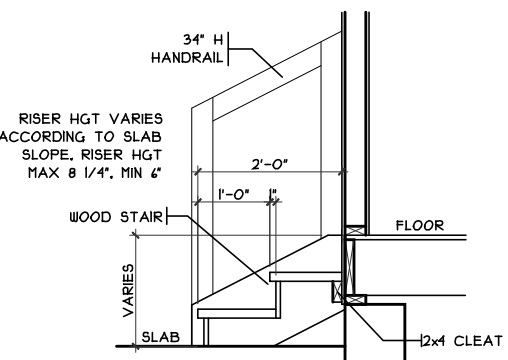
Harcroft - Traditional - Vinyl
Cristo Homes reserves all property rights in these plans. These plans are not to be reproduced, changed, or copied in any manner. They are not to be given to a third party, either in full or in part, without first receiving written permission from Cristo Homes. In the event these plans are used by a third party, Cristo Homes shall be held harmless.

CRISTO HOMES
7594-A Tylers Place Blvd.
West Chester, OH 45069
513.755.0570 www.cristohomes.com

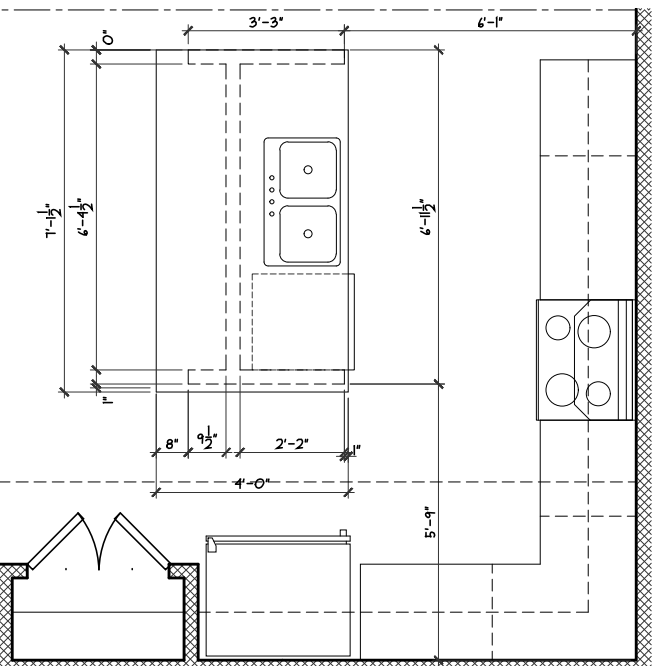
A3a



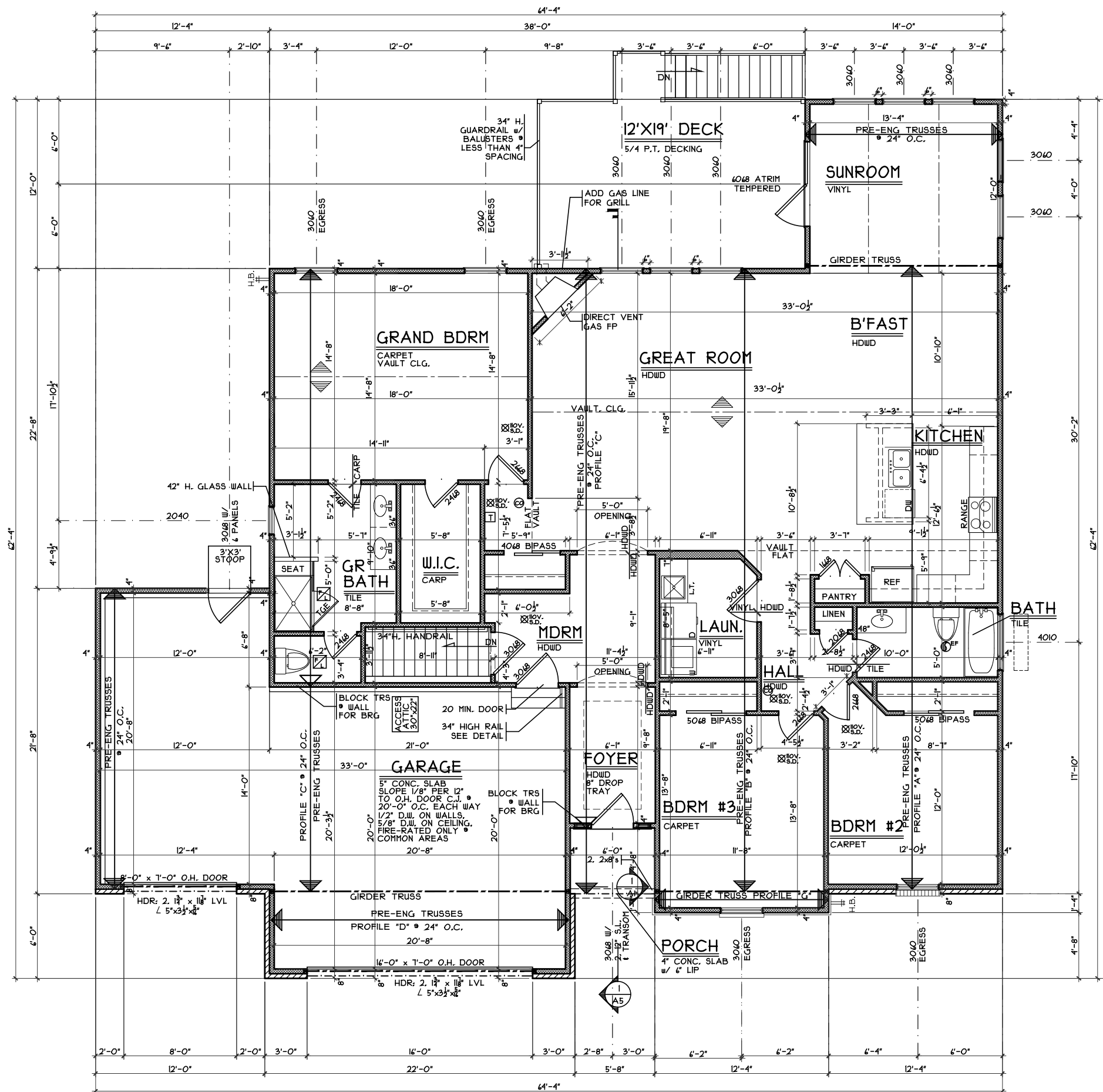
ARCH DET.
SCALE: 1/4" = 1'-0"



GARAGE HANDRAIL DET.
SCALE: 1/8" = 1'-0"



ISLAND FRM'G/CAB'T LAYOUT
SCALE: 1/4" = 1'-0"



FIRST FLOOR PLAN
SCALE: 1/8" = 1'-0" 1967 S.F.

Issue Dates

Revised	3/16/16
Revised	3/25/16
Revised	3/30/16
Revised	4/12/16

Harcroft - Traditional - Vinyl
Cristo Homes reserves all property rights in these plans. These plans are not to be reproduced, changed, or copied in any manner. They are not to be given to a third party, either in full or in part, without first receiving written permission from Cristo Homes. In the event these plans are used by a third party, Cristo Homes shall be held harmless.

Municipality
County

Proposed Residence:
Hatfield Residence
Keever Pass Lot 87
Estates of Keever Creek



First Floor Plan - Traditional
Plan : Harcroft
Date : 3/2/16
Drawn: CKB
Scale : As Noted
Revised : 4/12/16
Sheet : 9 of 21

A4