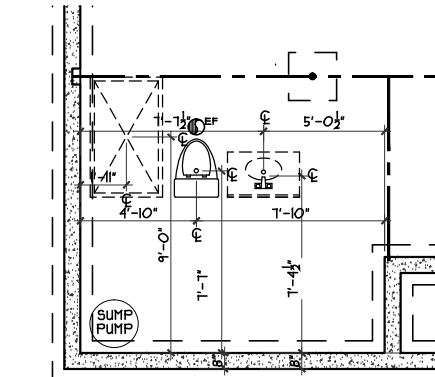
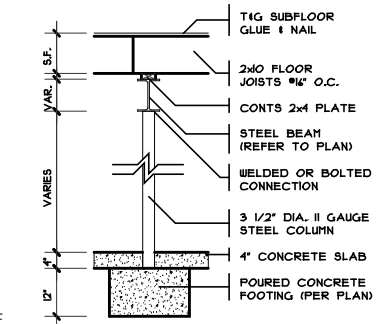


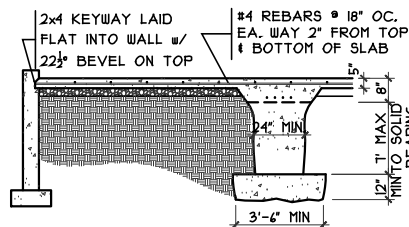
SCALE: 1/8" = 1'-0"



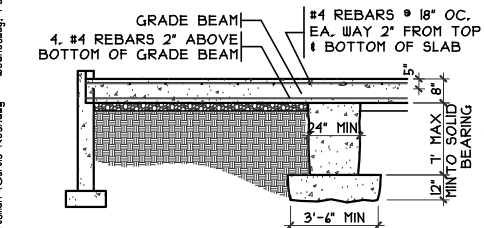
SCALE: 1/8" = 1'-0"



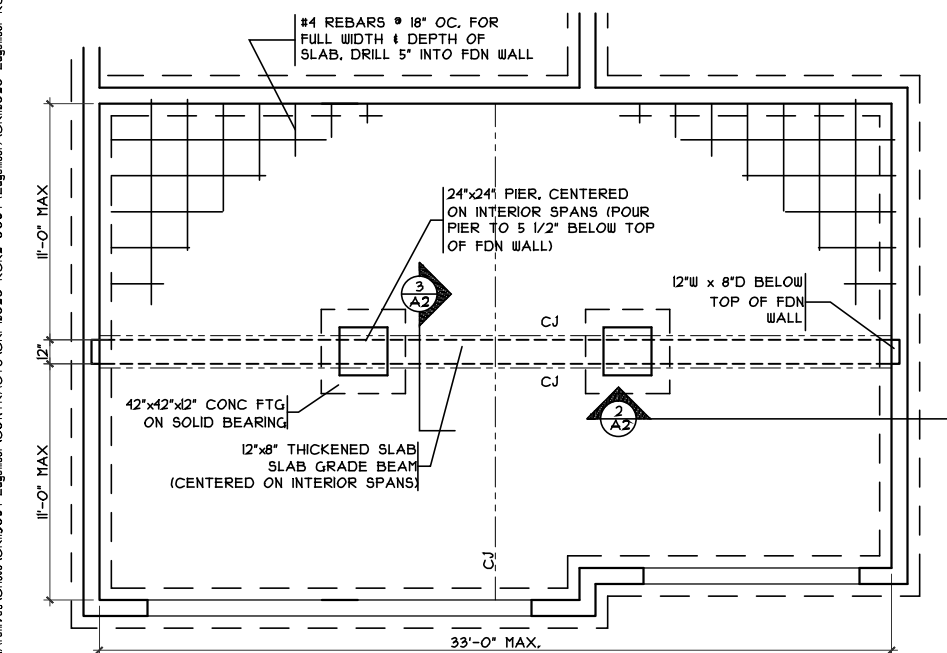
SCALE: 1/4" = 1'-0"



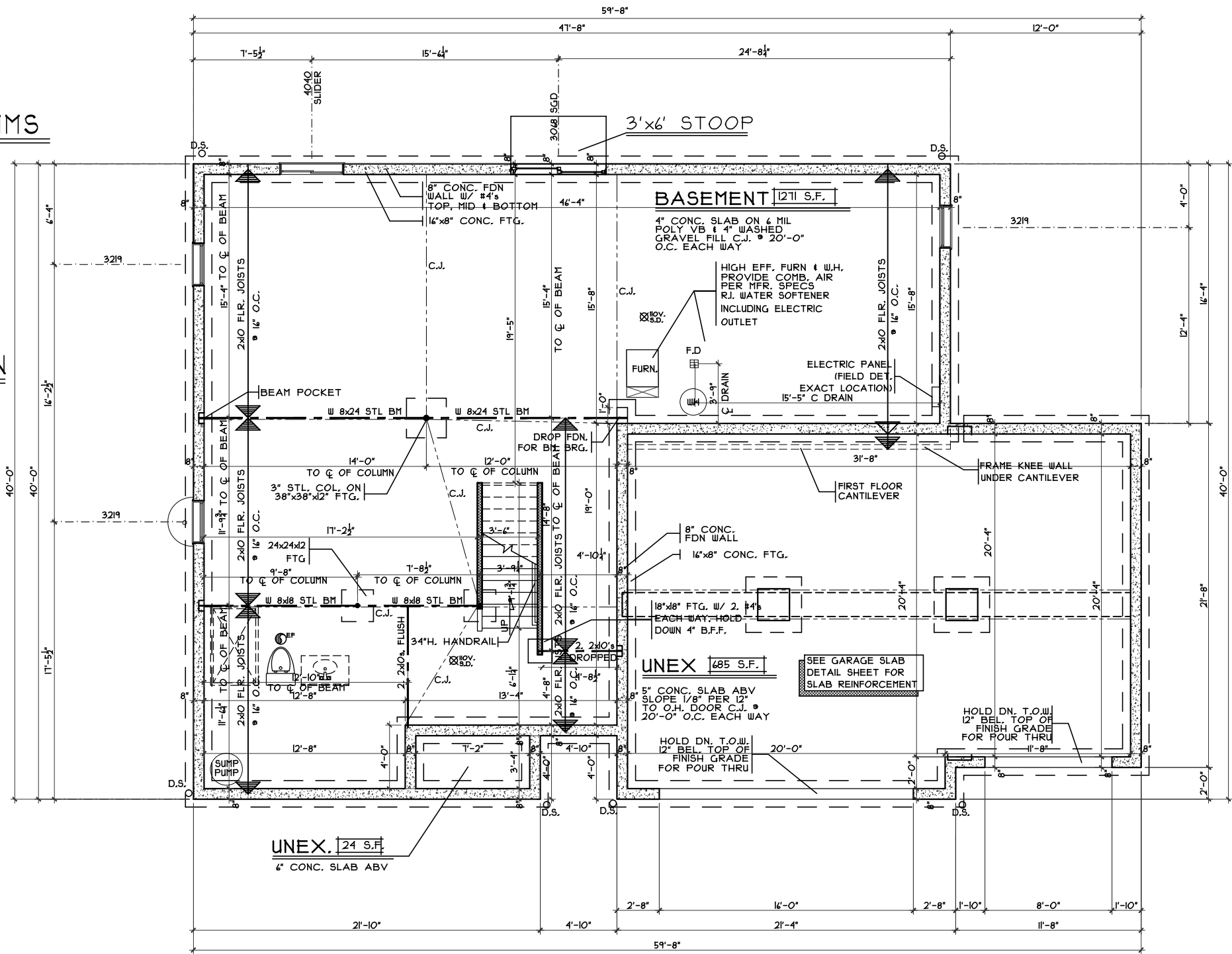
SCALE: 1/8" = 1'-0"



SCALE: 1/8" = 1'-0"



SCALE: 1/8" = 1'-0"



SCALE: 1/8" = 1'-0"

Foundation Plan	Edgemoor - Craftsman - Vinyl	Issue Dates
Plan : Edgemoor		
Date : 2/29/2016		Revised 3/28/2016
Drawn: CKB		
Scale : As Noted		
Revised: 3/28/2016		
Sheet : 4 of 15		

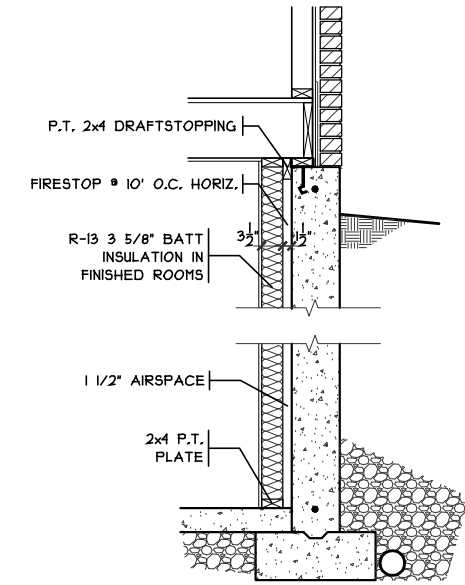
Lebanon, OH
 Warren
 Proposed Residence:
 Curtis Residence
 TBA Keever Pass
 Lot # 89 Estates of Keever Creek



A2.0a

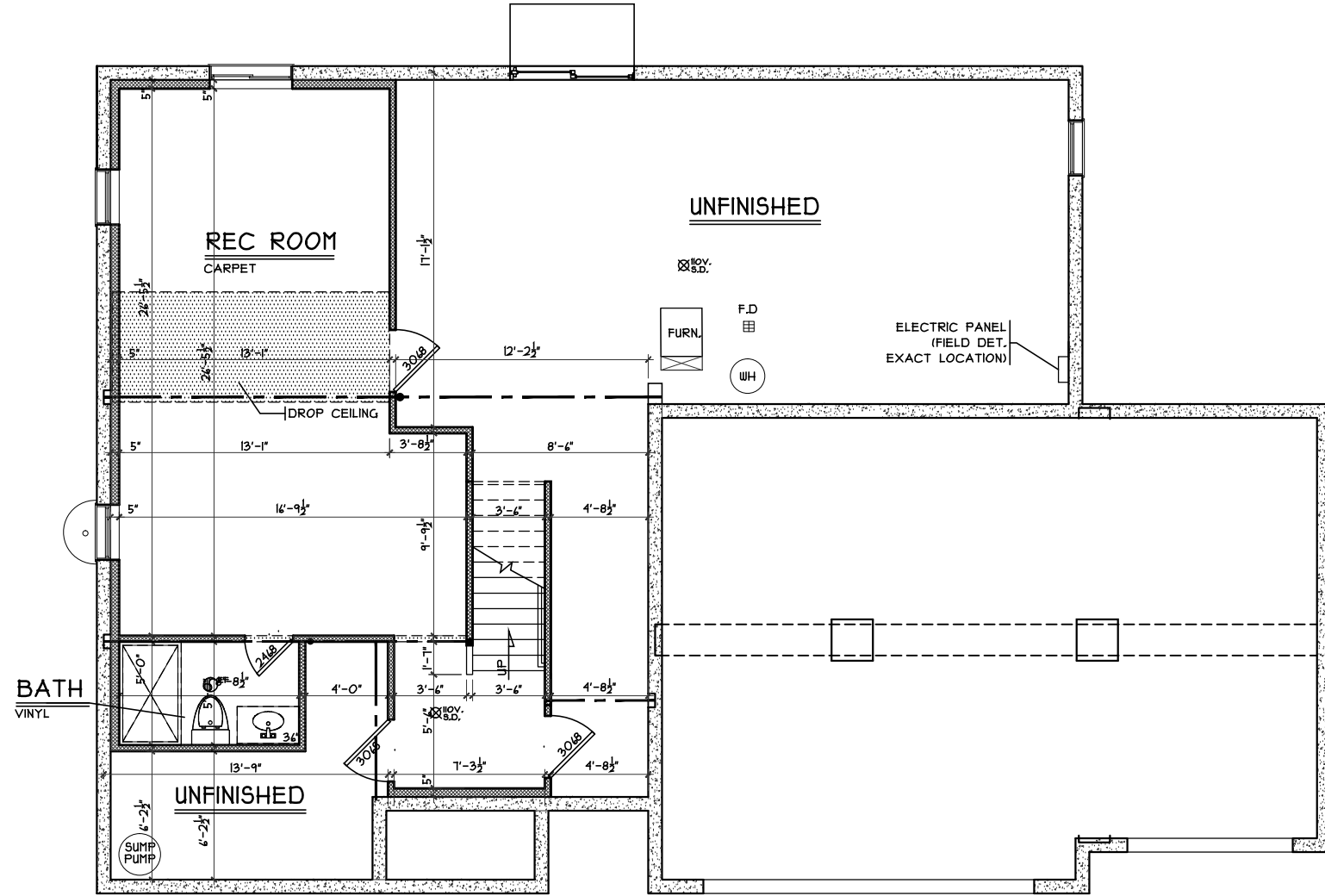
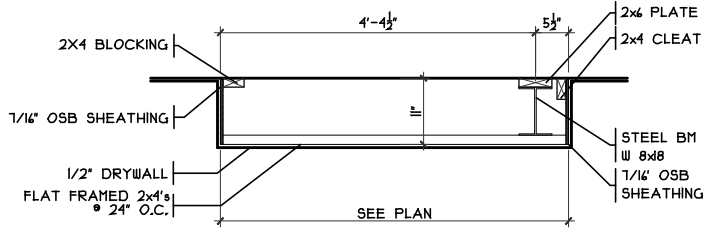
FIN. LL WALL DETAIL

SCALE: 3/8" = 1'-0"



DROP CLG. DETAIL

SCALE: 3/8" = 1'-0"



FINISHED LOWER LEVEL PLAN

SCALE: 1/8" = 1'-0"

5/17 S.F

Finished Lower Level - Craftsman

Plan : Edgemoor
Date : 2/29/2016
Drawn: CKB
Scale : As Noted
Revised: 3/28/2016
Sheet : 4 of 15



7594-A Tylers Place Blvd.
West Chester, OH 45069
513.755.0570 www.cristohomes.com

KCK2-0089

Proposed Residence:
Curtis Residence
TBA Keever Pass
Lot # 89 Estates of Keever Creek

Lebanon, OH
Warren

Edgemoor - Craftsman - Vinyl

Cristo Homes reserves all property rights in these plans. These plans are not to be reproduced, changed, or copied in any manner. They are not to be given to a third party, either in full or in part, without first receiving written permission from Cristo Homes. In the event these plans are used by a third party, Cristo Homes shall be held harmless.

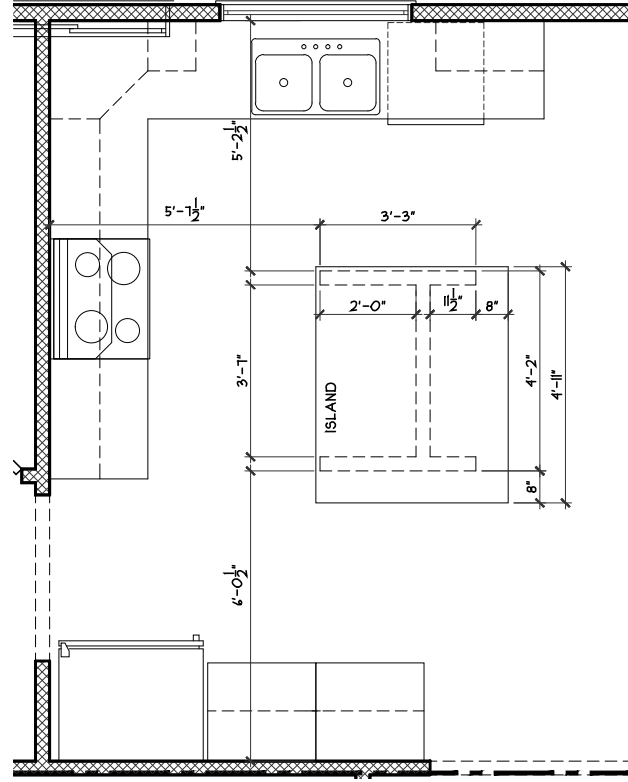
Issue Dates

Revised	3/28/2016

A2.1a

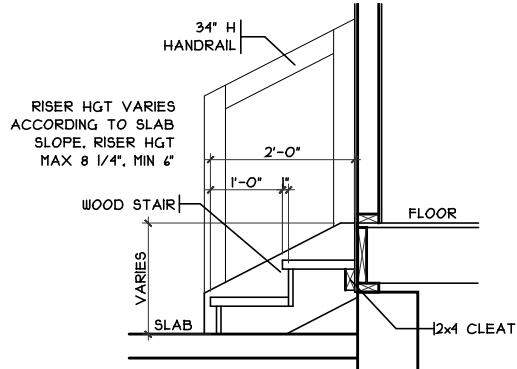
SCALE: 1/4" = 1'-0"

ISLAND FRAMING DETAIL

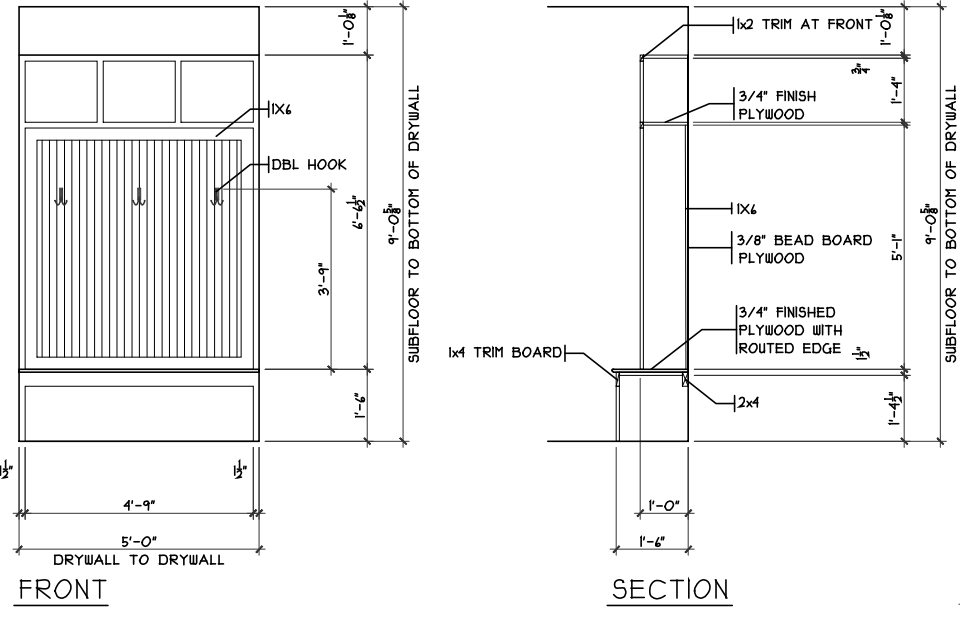


SCALE: 3/8" = 1'-0"

GARAGE HANDRAIL DETAIL

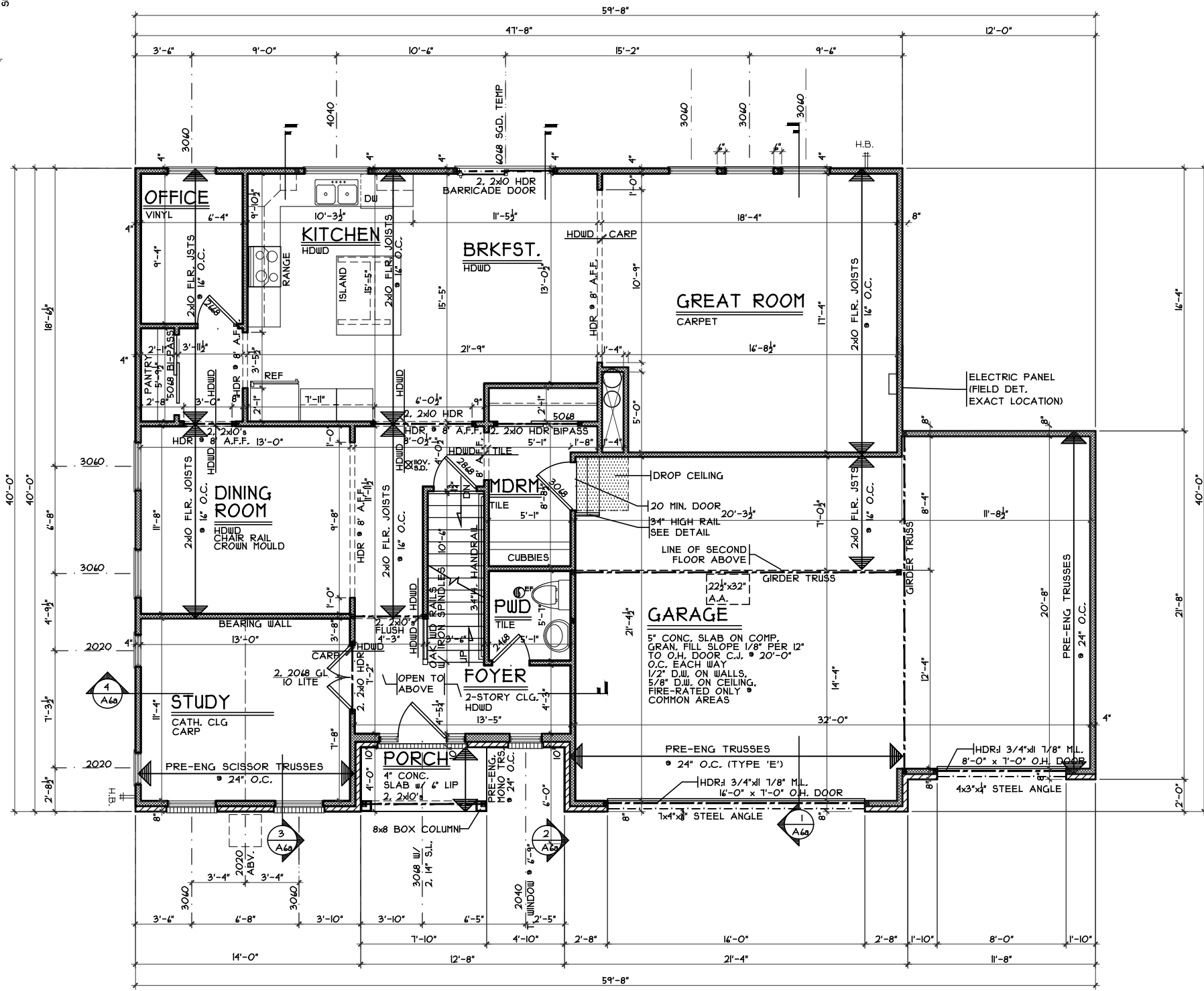


CUBBIES DETAIL/SECTION



FIRST FLOOR PLAN

SCALE: 1/8" = 1'-0" 1405 9.F



First Floor Plan

Plan: Edgemoor
Date: 2/20/2016
Drawn: CKB
Scale: As Noted
Revised: 3/28/2016
Sheet: 5 of 15

KCK2-0089

Proposed Residence:
Curtis Residence
TBA Keever Pass
Lot # 89 Estates of Keever Creek



Edgemoor - Craftsman - Vinyl

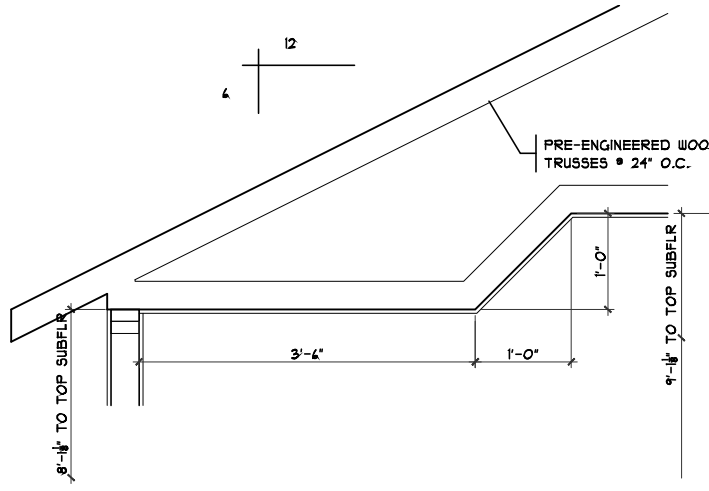
Cristo Homes reserves all property rights in these plans. These plans are not to be reproduced, changed, or copied in any manner. They are not to be given to a third party, either in full or in part, without first receiving written permission from Cristo Homes. In the event these plans are used by a third party, Cristo Homes shall be held harmless.

Issue Dates

Table with 2 columns: Issue Date, Revised. Row 1: 3/28/2016

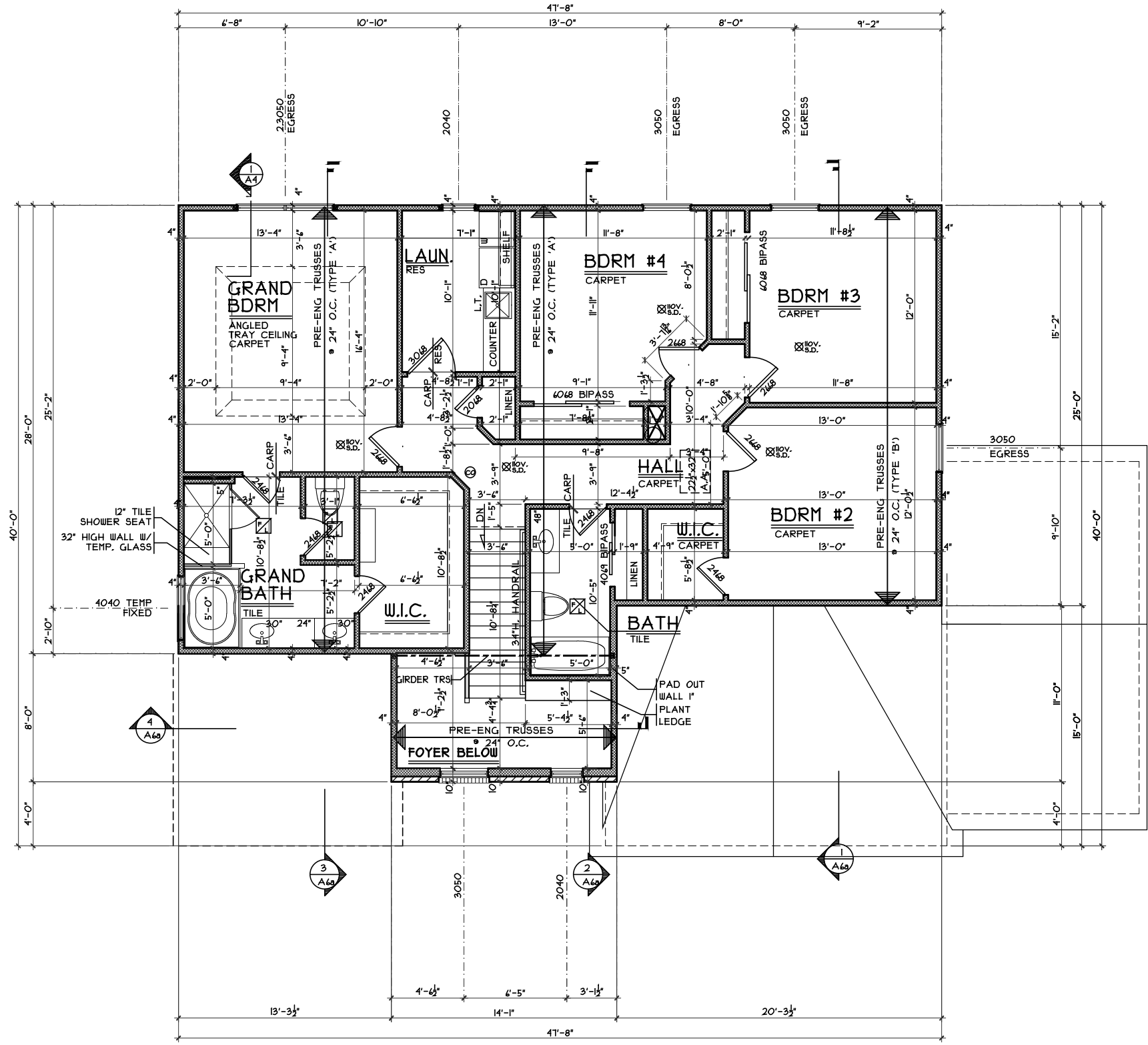
Lebanon, OH
Warren

A3.0a



ANGLED TRAY @ MBR

SCALE: 1/4" = 1'-0"



SECOND FLOOR PLAN

SCALE: 1/8" = 1'-0"

1240 S.F.

Second Floor Plan

Plan : Edgemoor
Date : 2/29/2016
Drawn: CKB
Scale : As Noted
Revised: 3/28/2016
Sheet : 6 of 15

Proposed Residence:
Curtis Residence
TBA Keever Pass
Lot # 89 Estates of Keever Creek

KCK2-0089

Lebanon, OH
Warren

Edgemoor - Craftsman - Vinyl

Cristo Homes reserves all property rights in these plans. These plans are not to be reproduced, changed, or copied in any manner. They are not to be given to a third party, either in full or in part, without first receiving written permission from Cristo Homes. In the event these plans are used by a third party, Cristo Homes shall be held harmless.

Issue Dates

Revised 3/28/2016



7594-A Tylers Place Blvd.
West Chester, OH 45389
513.755.0570 www.cristohomes.com

A4.0a