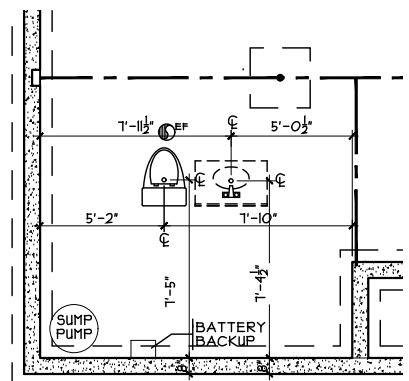
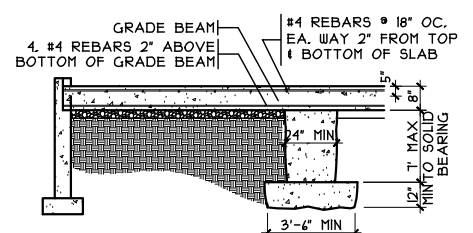


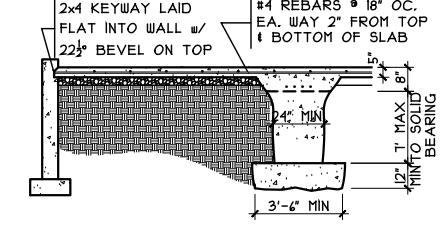
4 COLUMN DETAIL PLUMBING/STRUCTURE DIMS  
SCALE: 1/4" = 1'-0"



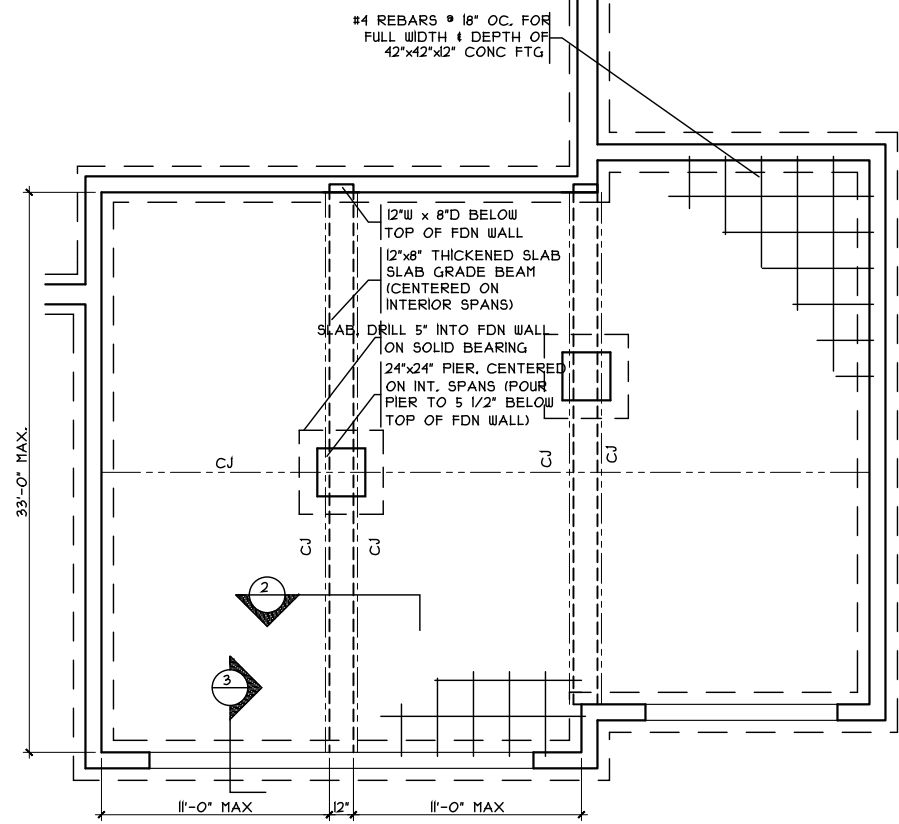
SCALE: 1/8" = 1'-0"



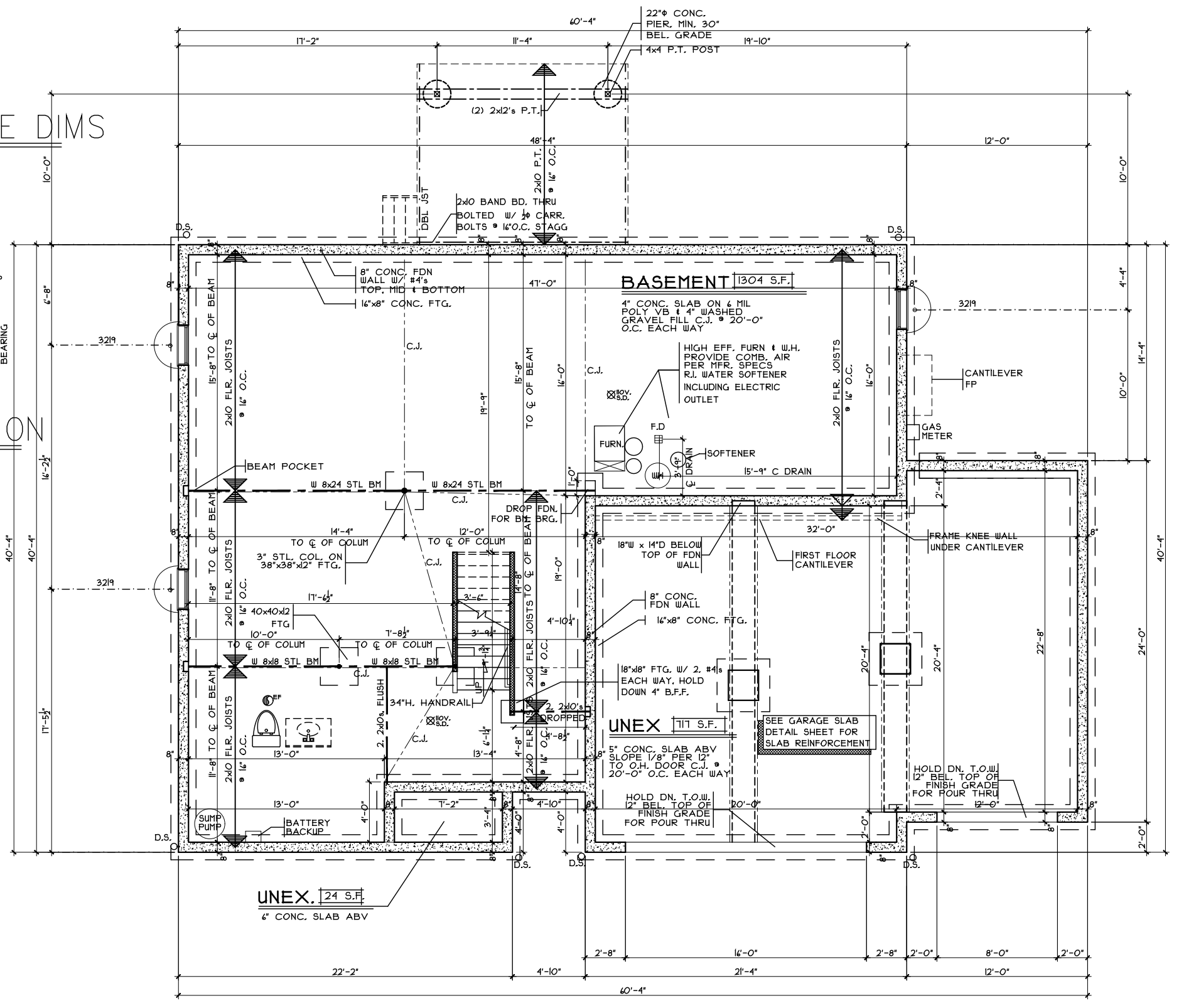
3 GRADE BM SECTION  
SCALE: 1/8" = 1'-0"



SCALE: 1/8" = 1'-0"



3 GRADE BM DETAIL  
SCALE: 1/8" = 1'-0"



FOUNDATION PLAN  
SCALE: 1/8" = 1'-0"

Foundation Plan  
Plan : Edgemoor  
Date : 12.31.2015  
Drawn: WJH  
Scale : As Noted  
Revised: 1.21.2016  
Sheet : 4 of 15



Proposed Residence:  
Martin Residence  
1513 Spectacular Bid Ct  
Lot # 7939 Keeneland Estates

KES1-7939

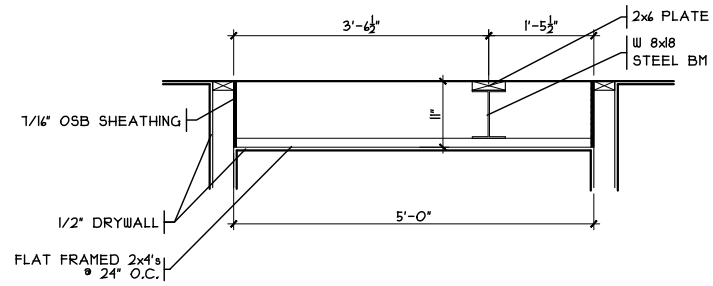
Edgemoor Craftsman Vinyl

Cristo Homes reserves all property rights in these plans. These plans are not to be reproduced, changed, or copied in any manner. They are not to be given to a third party, either in full or in part, without first receiving written permission from Cristo Homes. In the event these plans are used by a third party, Cristo Homes shall be held harmless.

Issue Dates	Revised	By
1/11/2016		
1/14/2016		
1/21/2016		

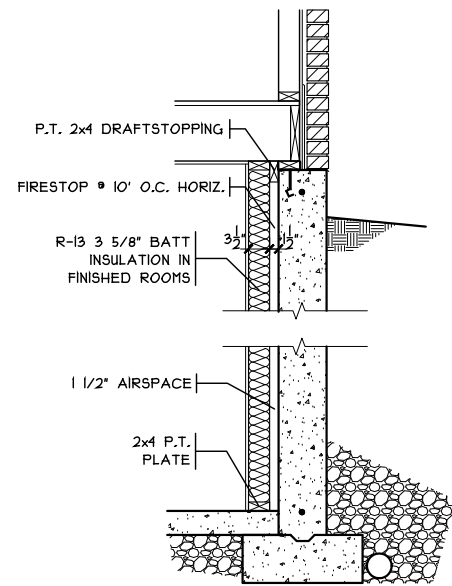
Lebanon, OH  
Warren

A2.0a



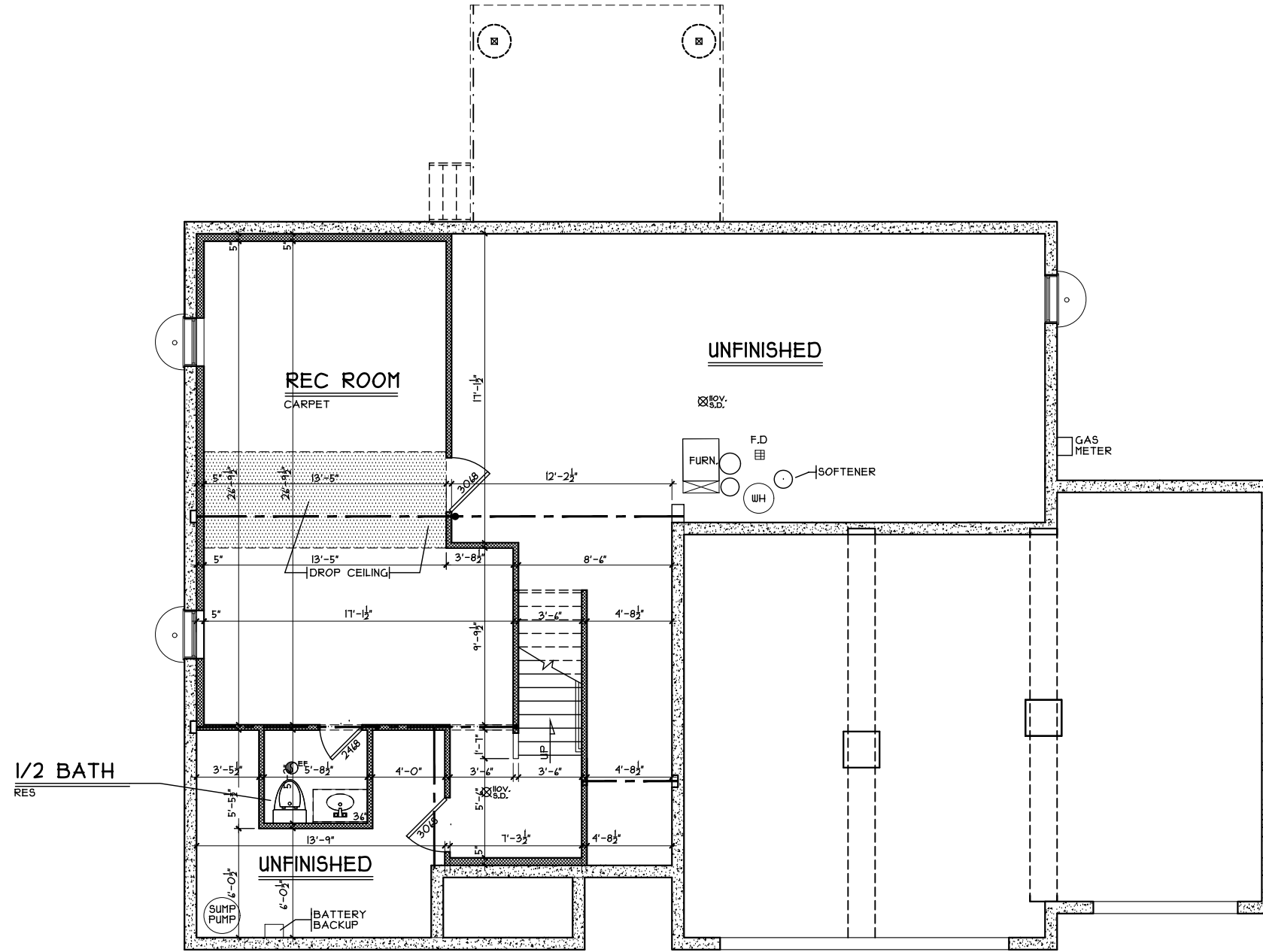
**DROP CLG. DETAIL**

SCALE: 3/8" = 1'-0"



**FIN. LL WALL DETAIL**

SCALE: 3/8" = 1'-0"



**FINISHED LOWER LEVEL PLAN**

SCALE: 1/8" = 1'-0"

550 S.F.

Finished Lower Level - Craftsman

Plan : Edgemoor  
Date : 12.31.2015  
Drawn: WLH  
Scale : As Noted  
Revised: 1.21.2016  
Sheet : 4 of 15

Proposed Residence:  
Martin Residence  
1513 Spectacular Bid Ct  
Lot # 7939 Keeneland Estates



KES1-7939

Lebanon, OH  
Warren

Edgemoor Craftsman Vinyl

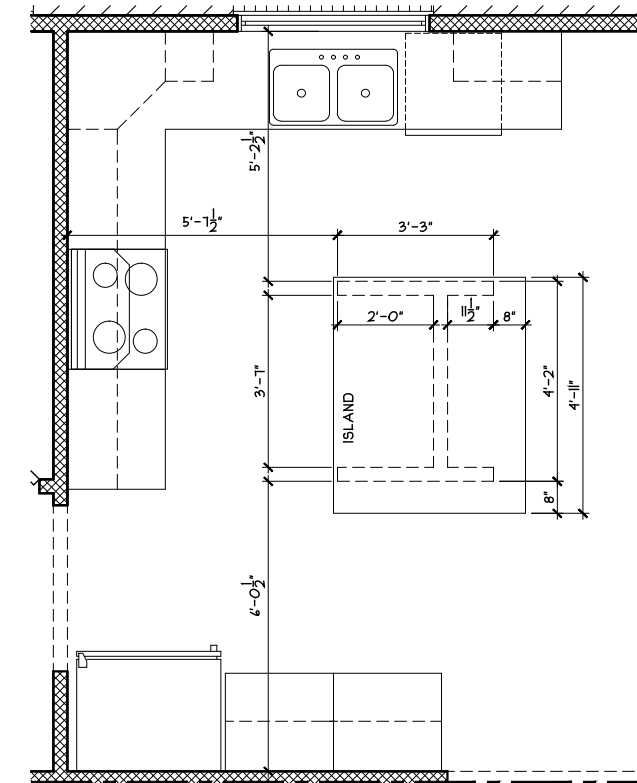
Cristo Homes reserves all property rights in these plans. These plans are not to be reproduced, changed, or copied in any manner. They are not to be given to a third party, either in full or in part, without first receiving written permission from Cristo Homes. In the event these plans are used by a third party, Cristo Homes shall be held harmless.

Issue Dates

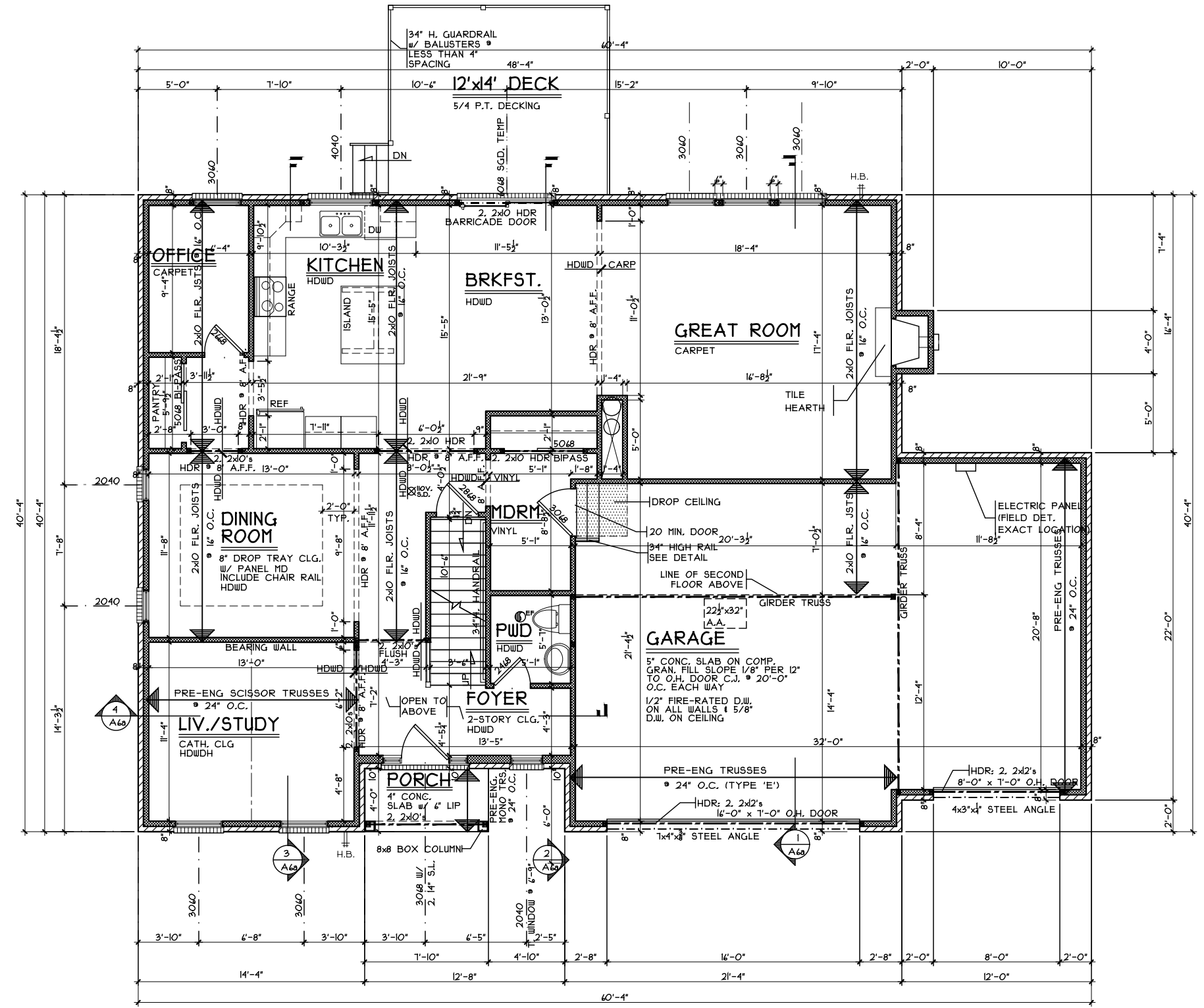
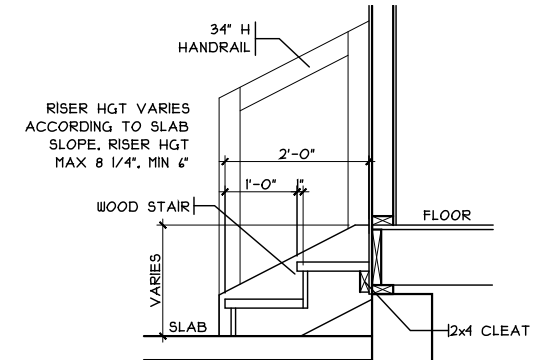
Reviewed	1/11/2016
Revisions	1/14/2016
Revisions	1/21/2016

A2.1a

ISLAND FRAMING DETAIL  
SCALE: 1/4" = 1'-0"



GARAGE HANDRAIL DETAIL  
SCALE: 3/8" = 1'-0"



First Floor Plan

Plan : Edgemoor  
Date : 12.31.2015  
Drawn: WJH  
Scale : As Noted  
Revised: 1.21.2016  
Sheet : 5 of 15

KES1-7939

Proposed Residence:  
Martin Residence  
1513 Spectacular Bid Ct  
Lot # 7939 Keeneland Estates

Lebanon, OH  
Warren

Edgemoor Craftsman Vinyl

Cristo Homes reserves all property rights in these plans. These plans are not to be reproduced, changed, or copied in any manner. They are not to be given to a third party, either in full or in part, without first receiving written permission from Cristo Homes. In the event these plans are used by a third party, Cristo Homes shall be held harmless.

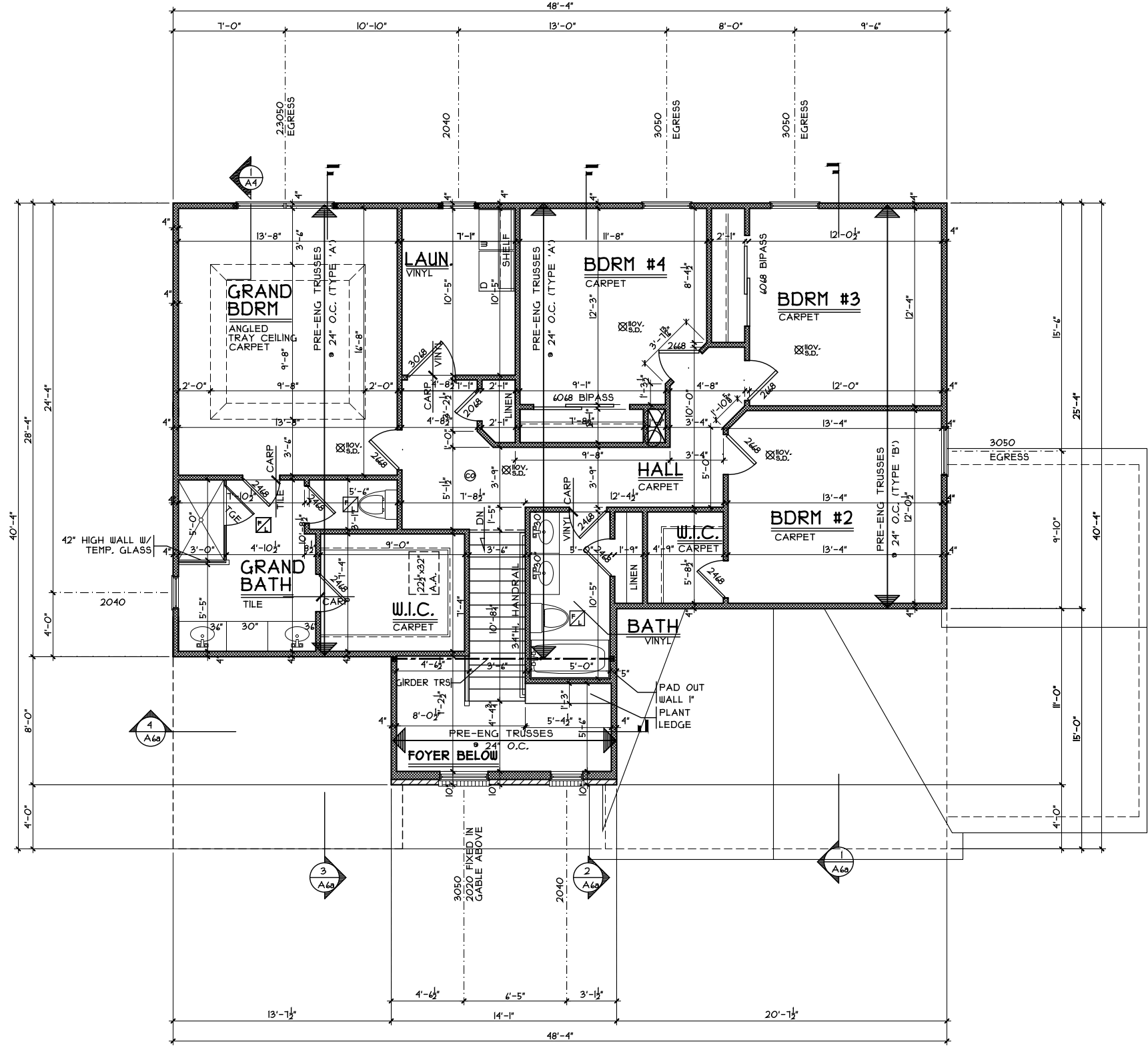
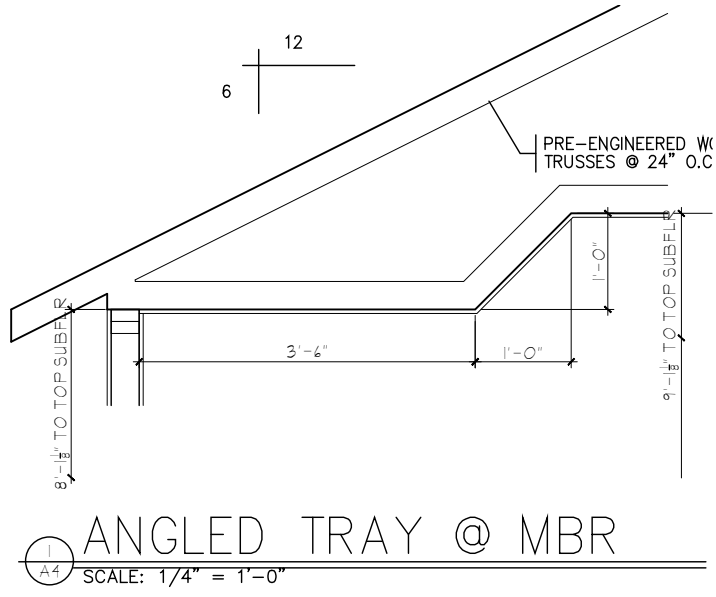
Issue Dates

Reviewed	1/11/2016
Revisions	1/14/2016
Revisions	1/21/2016



7594-A Tylers Place Blvd  
West Chester, OH 45389  
513.755.0570 www.cristohomes.com

A3.0a



SECOND FLOOR PLAN  
SCALE: 1/8" = 1'-0" 1299 S.F.

Second Floor Plan

Plan : Edgemoor  
Date : 12.31.2015  
Drawn:WLH  
Scale : As Noted  
Revised: 1.21.2016  
Sheet : 6 of 15



Proposed Residence:  
Martin Residence  
1513 Spectacular Bid Ct  
Lot # 7939 Keeneland Estates

Lebanon, OH  
Warren

Edgemoor Craftsman Vinyl

Cristo Homes reserves all property rights in these plans. These plans are not to be reproduced, changed, or copied in any manner. They are not to be given to a third party, either in full or in part, without first receiving written permission from Cristo Homes. In the event these plans are used by a third party, Cristo Homes shall be held harmless.

Issue Dates	Revised	1/11/2016
	Revisions	1/14/2016
	Revisions	1/21/2016

A4.0a