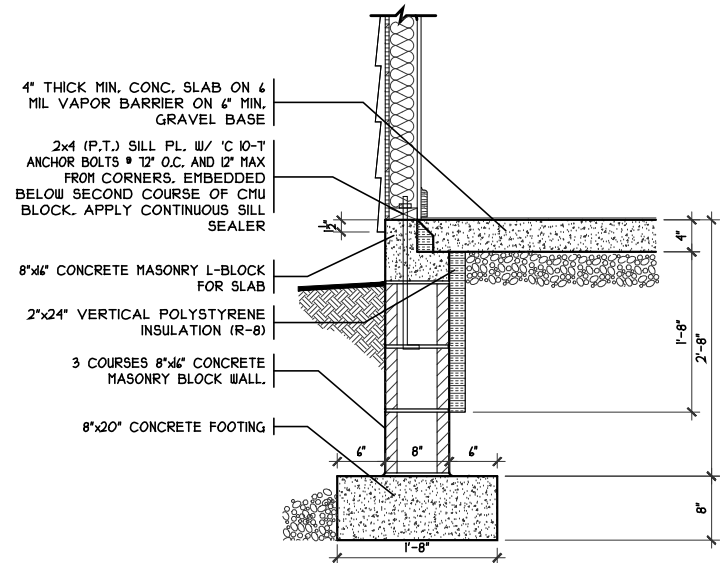
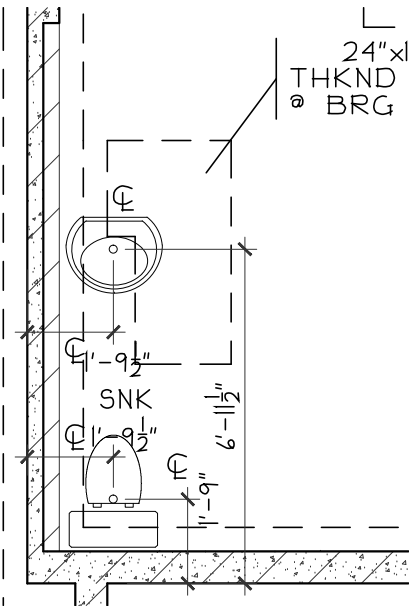


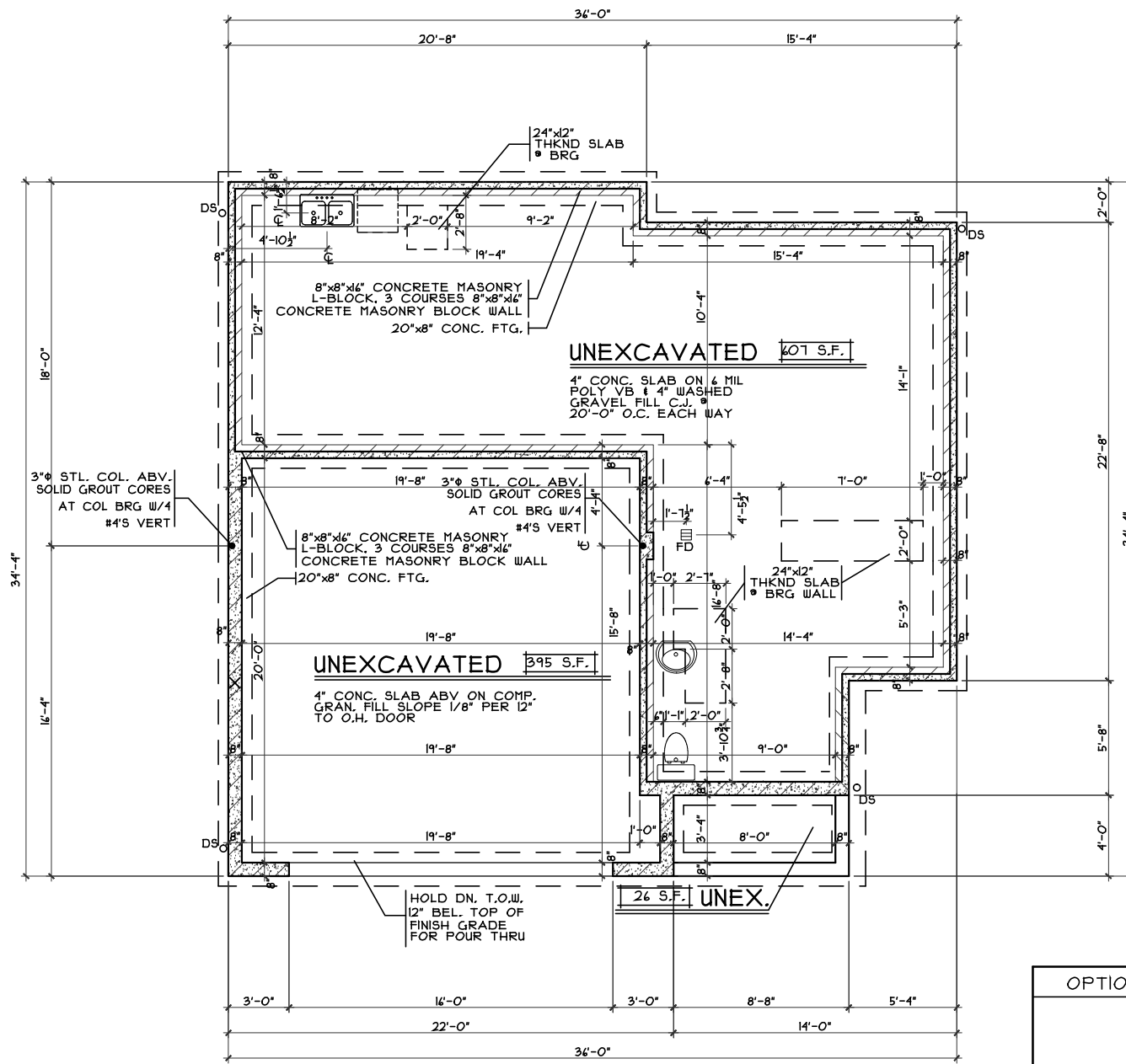
**1 THICKENED SLAB DETAIL**  
 A2 SCALE: 1/4" = 1'-0"



**1 FOUNDATION DETAIL**  
 A2 SCALE: 1/2" = 1'-0" SLAB ON GRADE



**FDN PLUMBING DETAIL**  
 SCALE: 1/8" = 1'-0"



**FOUNDATION PLAN**  
 SCALE: 1/8" = 1'-0"

OPTIONS	ISSUE DATES
	5/25/16

Elevation 'E' - Foundation Plan - Slab  
 Plan : Lynden  
 Date : 4/18/2016  
 Drawn: CKB  
 Scale : As Noted  
 Revised: 5.25.2016  
 Sheet : 4 of 12

MES1-3028  
 Proposed Residence:  
 Wright Residence  
 TBA  
 Miller Estates Lot# 3028

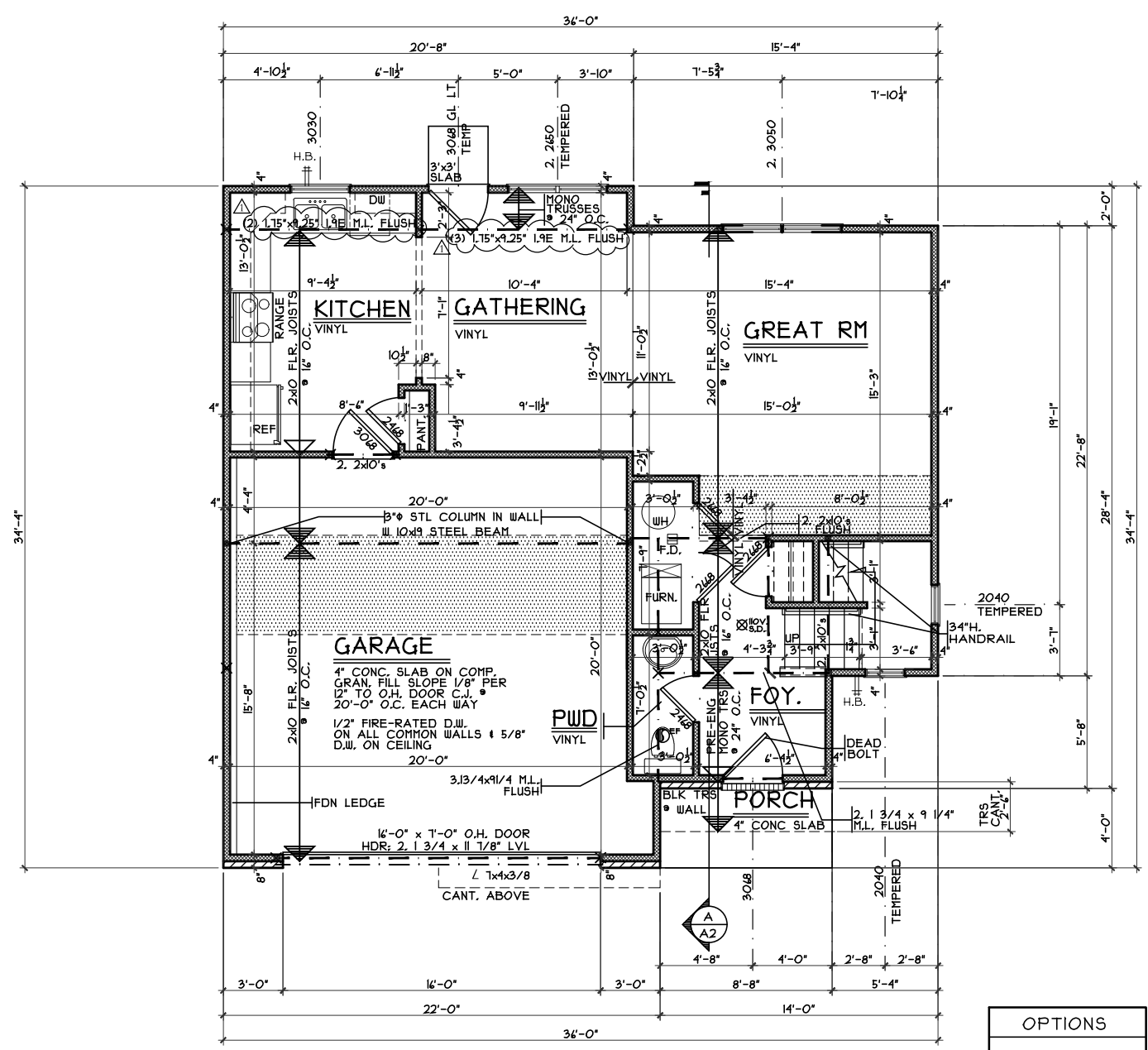
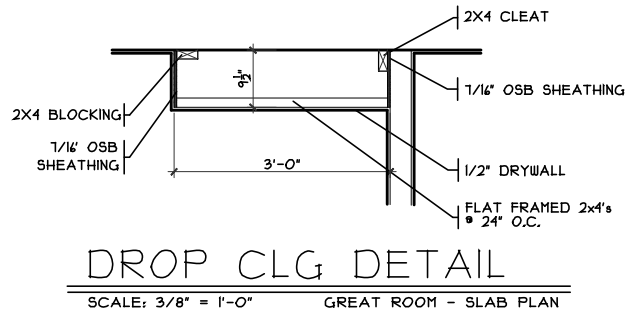
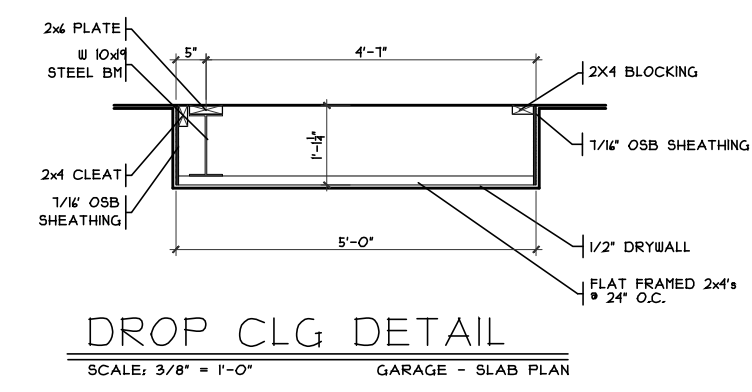
Trenton, OH  
 Butler Co.

Lynden - Vinyl  
 Cristo Homes reserves all property rights in these plans. These plans are not to be reproduced, changed, or copied in any manner. They are not to be given to a third party, either in full or in part, without first receiving written permission from Cristo Homes. In the event these plans are used by a third party, Cristo Homes shall be held harmless.  
 Issue Dates  
 Revised: 4.22.2016  
 Bld. Dept. Rev. 5.25.2016

**A2.0e**



7994-A Tyers Place Blvd.  
 West Chester, OH 45069  
 513.755.0570 www.cristohomes.com



OPTIONS	ISSUE DATES
	5/25/16

**Elevation 'E' - First Floor Plan - Slab**  
 Plan : Lynden  
 Date : 4/18/2016  
 Drawn: CKB  
 Scale : As Noted  
 Revised: 5.25.2016  
 Sheet : 5 of 12

**CRISTO HOMES**  
 7994-A Tyers Place Blvd.  
 West Chester, OH 45069  
 513.755.0570 www.cristohomes.com

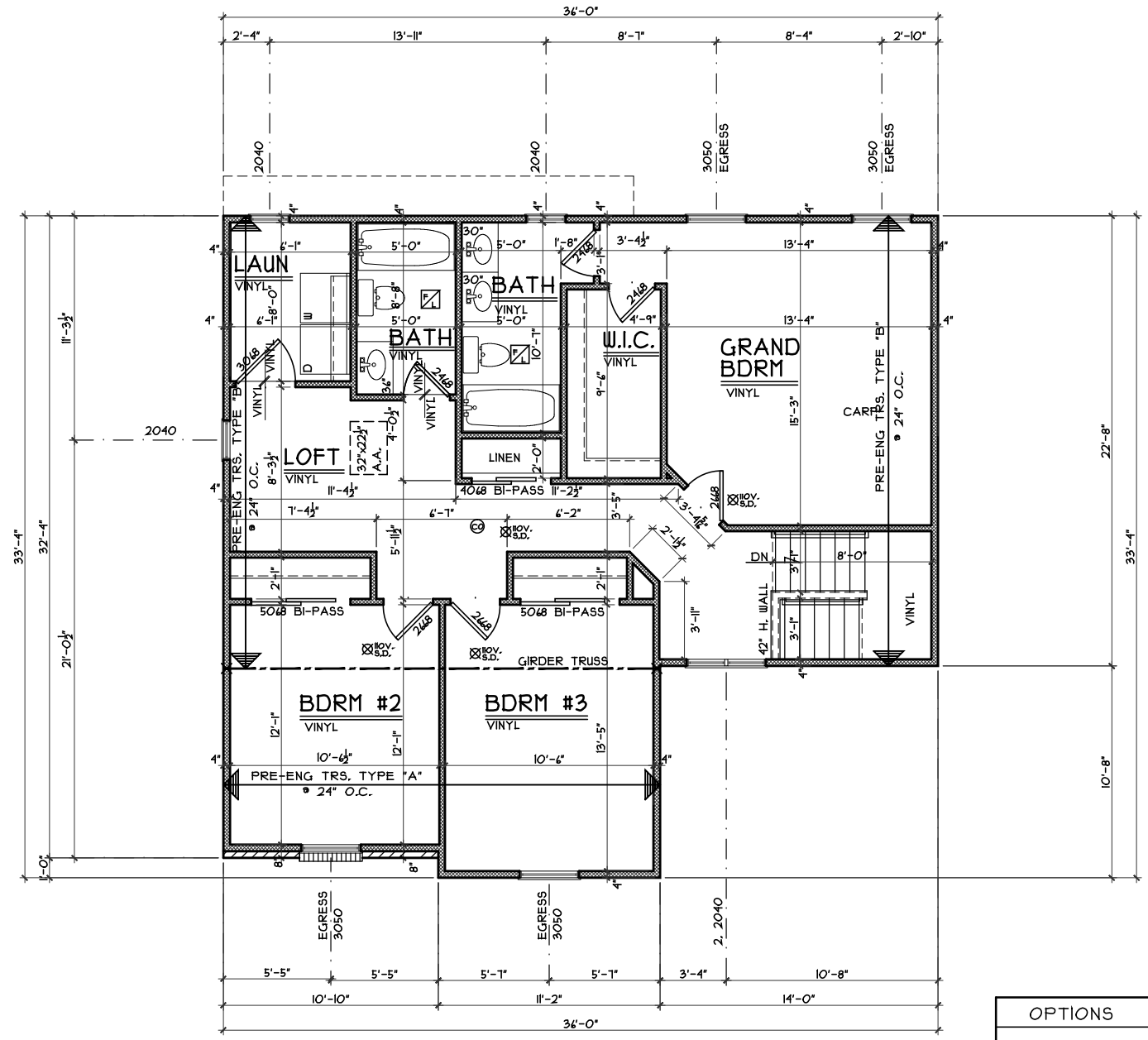
Proposed Residence:  
 Wright Residence  
 TBA  
 Miller Estates Lot# 3028

Trenton, OH  
 Butler Co.

**Lynden - Vinyl**  
 Cristo Homes reserves all property rights in these plans. These plans are not to be reproduced, changed, or copied in any manner. They are not to be given to a third party, either in full or in part, without first receiving written permission from Cristo Homes. In the event these plans are used by a third party, Cristo Homes shall be held harmless.

**Issue Dates**  
 Revised: 4.22.2016  
 Bld. Dept. Rev. 5.25.2016

A3.0e



**SECOND FLOOR PLAN**  
SCALE: 1/8" = 1'-0" 983 SQ. FT.

OPTIONS	ISSUE DATES
	5/25/16

Elevation 'E' - Second Floor Plan - Slab  
 Plan : Lynden  
 Date : 4/18/2016  
 Drawn: CKB  
 Scale : As Noted  
 Revised: 5.25.2016  
 Sheet : 6 of 12

MES1-3028  
 Proposed Residence:  
 Wright Residence  
 TBA  
 Miller Estates Lot# 3028



Lynden - Vinyl  
 Cristo Homes reserves all property rights in these plans. These plans are not to be reproduced, changed, or copied in any manner. They are not to be given to a third party, either in full or in part, without first receiving written permission from Cristo Homes. In the event these plans are used by a third party, Cristo Homes shall be held harmless.

Issue Dates

Revised	4.22.2016
Bld. Dept. Rev.	5.25.2016

Trenton, OH  
 Butler Co.

A4.0e