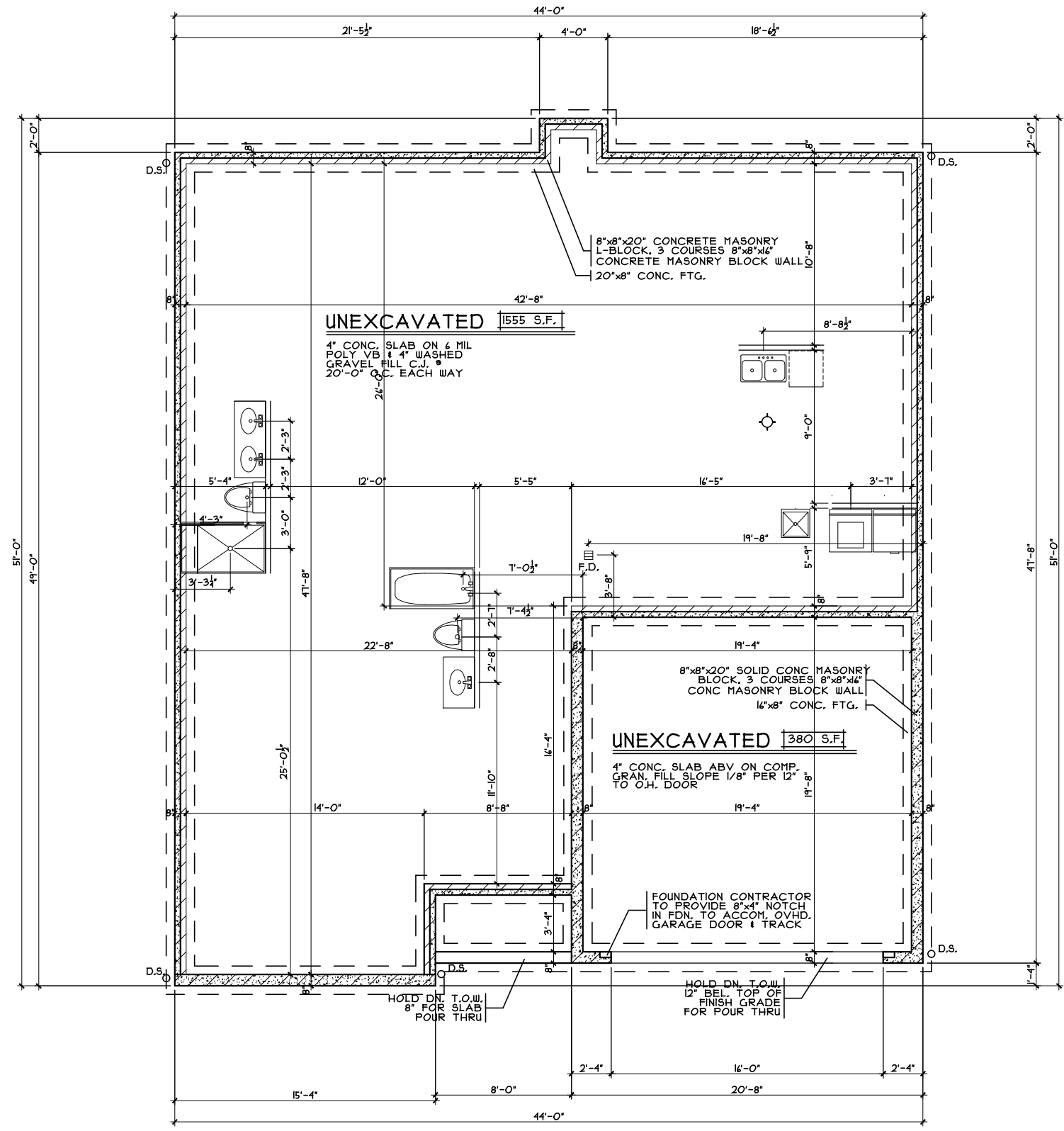


**FOUNDATION DETAIL**  
SCALE: 1/2" = 1'-0" SLAB ON GRADE



**FOUNDATION PLAN**  
SCALE: 1/8" = 1'-0" SLAB

**Foundation Plan - Craftsman (Slab)** | **NHS1-0005** | **Ashcott - Traditional - Composite**

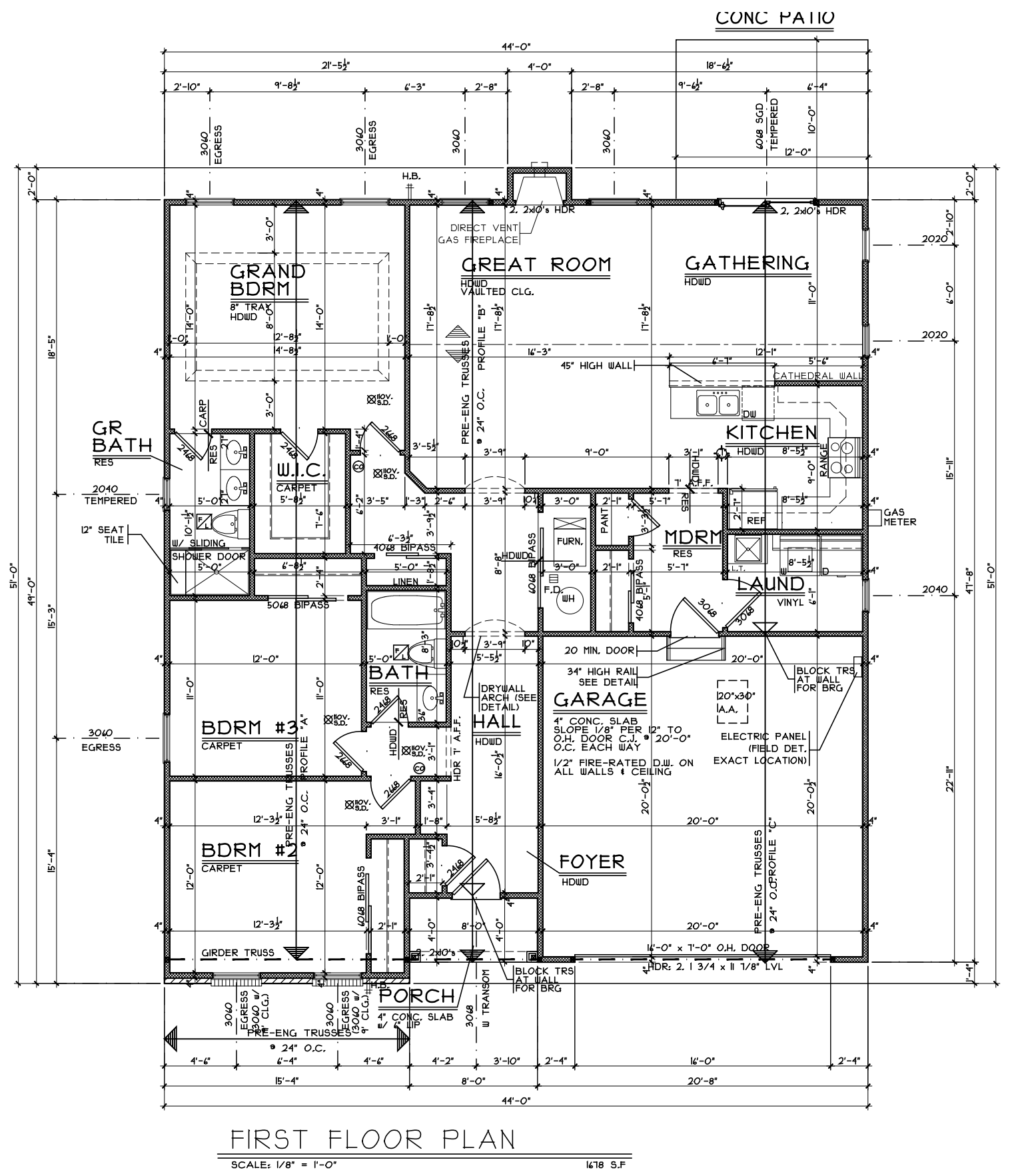
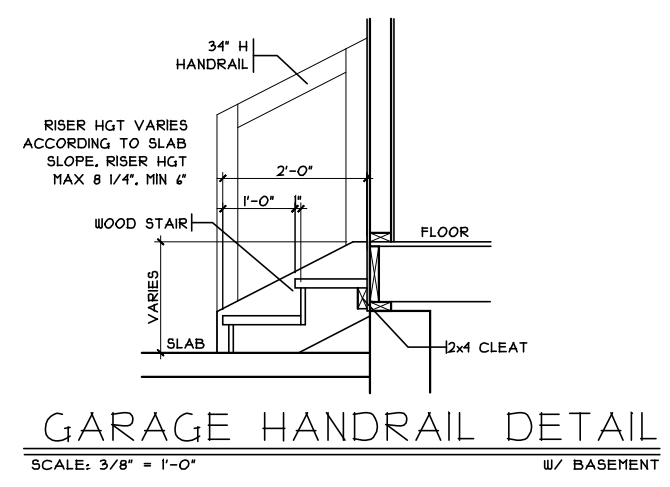
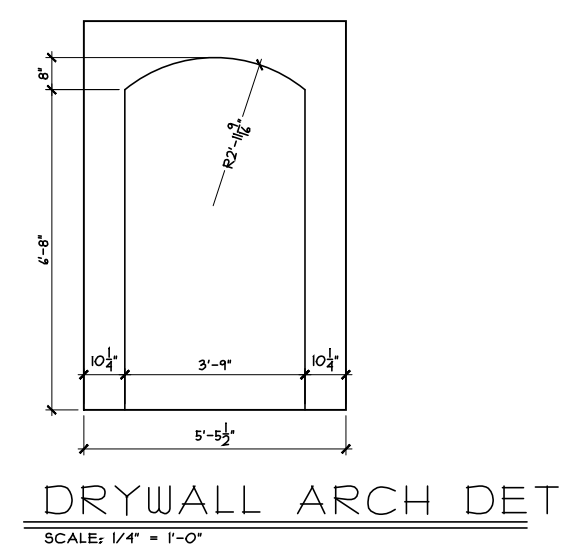
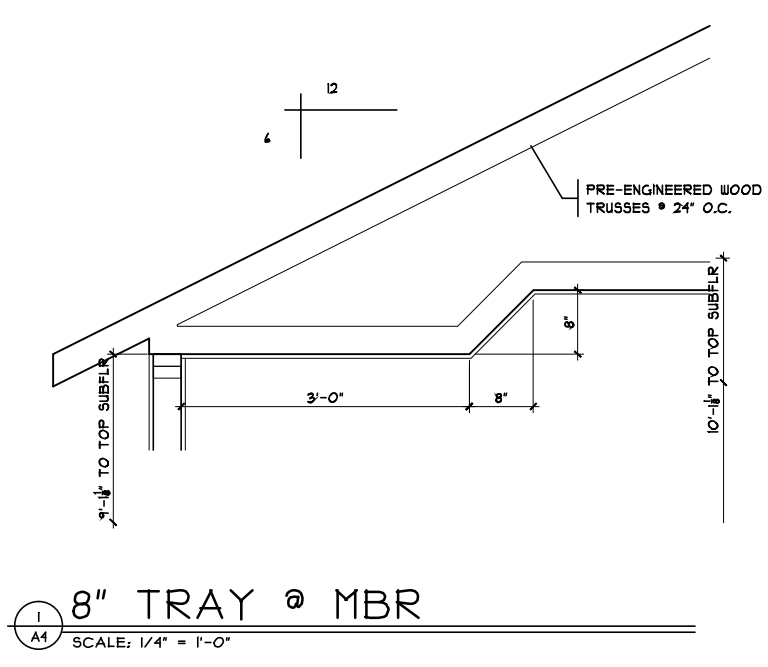
Plan : Ashcott  
Date : 10.13.2015  
Drawn: WLH  
Scale : As Noted  
Revised: 10.30.2015  
Sheet : 8 of 10

Proposed Residence:  
**The Market Home**  
160 North Hills Blvd  
Lot # 5 The Colonies of North Hills  
Springboro, Ohio  
Warren County

**CRISTO HOMES**  
7594-A Tylers Place Blvd.  
West Chester, OH 45069  
513.755.0570 www.cristohomes.com

Cristo Homes reserves all property rights in these plans. These plans are not to be reproduced, changed, or copied in any manner. They are not to be given to a third party, either in full or in part, without first receiving written permission from Cristo Homes. In the event these plans are used by a third party, Cristo Homes shall be held harmless.

Revised 10.30.2015



**CRISTO HOMES**  
7594-A Tylers Place Blvd.  
West Chester, OH 45069  
513.755.0570 www.cristohomes.com

Proposed Residence:  
**The Market Home**  
160 North Hills Blvd  
Lot # 5 The Colonies of North Hills  
Springboro, Ohio  
Warren County

Plan : Ashcott  
Date : 10.13.2015  
Drawn: WLH  
Scale : As Noted  
Revised: 10.30.2015  
Sheet : 12 of 10

NH51-0005  
Proposed Residence:  
The Market Home  
160 North Hills Blvd  
Lot # 5 The Colonies of North Hills  
Springboro, Ohio  
Warren County

Ashcott - Traditional - Composite  
Cristo Homes reserves all property rights in these plans. These plans are not to be reproduced, changed, or copied in any manner. They are not to be given to a third party, either in full or in part, without first receiving written permission from Cristo Homes. In the event these plans are used by a third party, Cristo Homes shall be held harmless.

Issue Dates  
Revised 10.30.2015

A3.1a