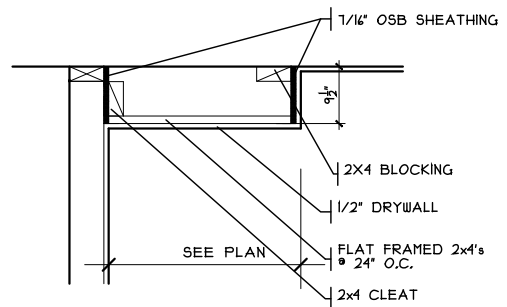
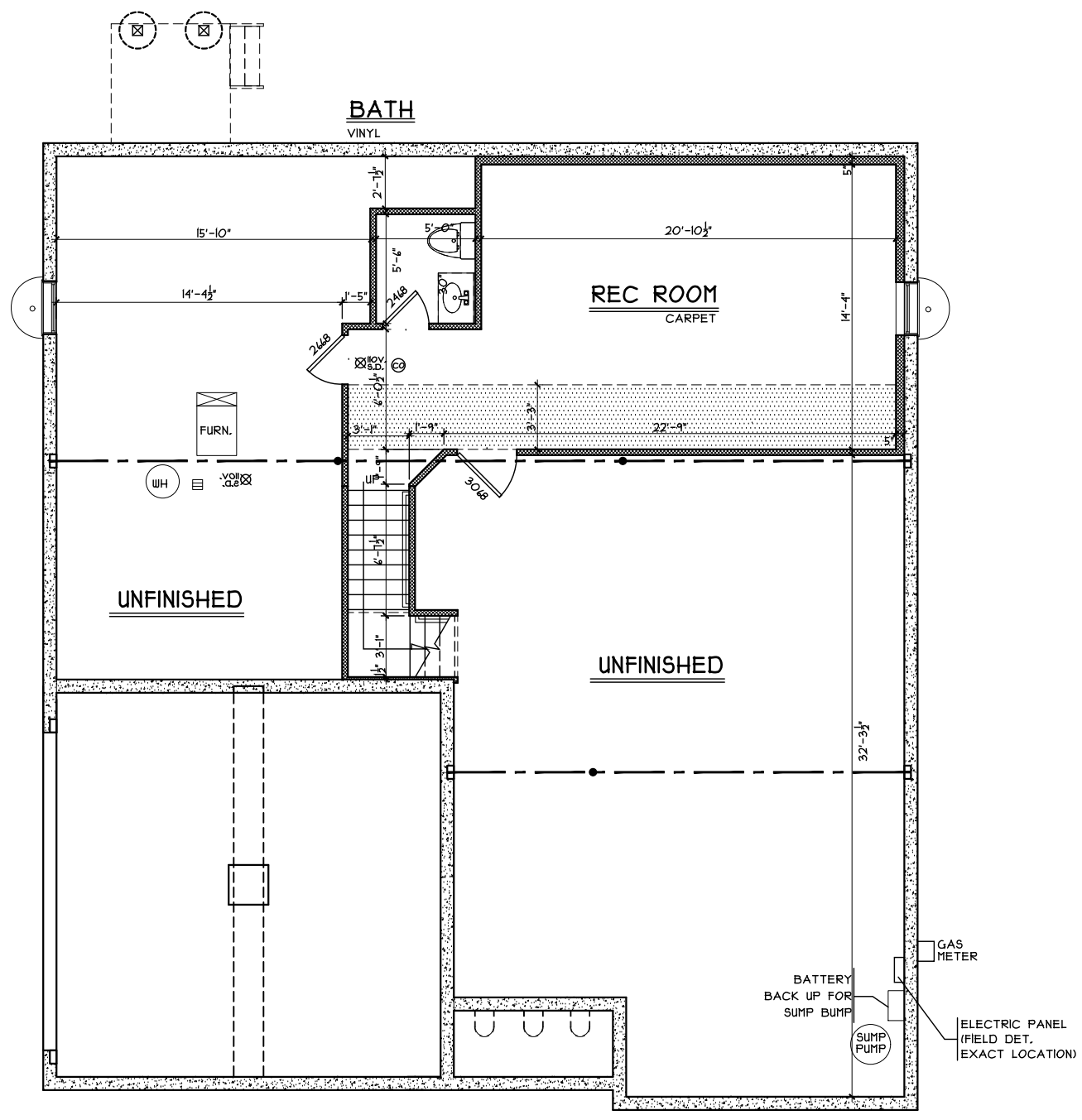


FIN. LL WALL DETAIL
SCALE: 3/8" = 1'-0"



DROP CLG. DETAIL
SCALE: 3/8" = 1'-0"



FINISHED LOWER LEVEL PLAN
SCALE: 1/8" = 1'-0" 413 S.F.

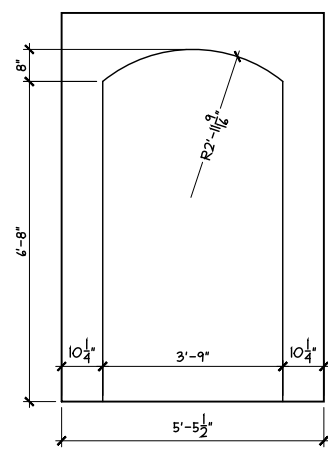
Finished Lower Level - Craftsman
 Plan : Ashcott
 Date : 10/19/2015
 Drawn: WLH
 Scale : As Noted
 Revised: 12/15/15
 Sheet : 10 of 12

NHS3-0068
 Proposed Residence:
Tremaglio Residence
 10 Red Oak Lane
 Lot 68 The colonies Of North Hill
 Springboro, OH
 Warren County

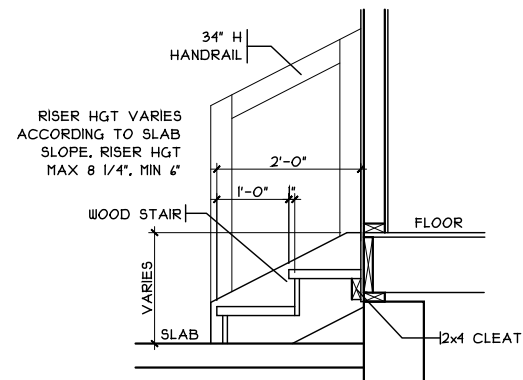
ASHCOTT - EUROPEAN - COMPOSITE
 Cristo Homes reserves all property rights in these plans. These plans are not to be reproduced, changed, or copied in any manner. They are not to be given to a third party, either in full or in part, without first receiving written permission from Cristo Homes. In the event these plans are used by a third party, Cristo Homes shall be held harmless.

Issue Dates	Revised
10/26/15	Reviewed
10/27/15	Revised
11/12/15	Revised
12/15/2015	Revised

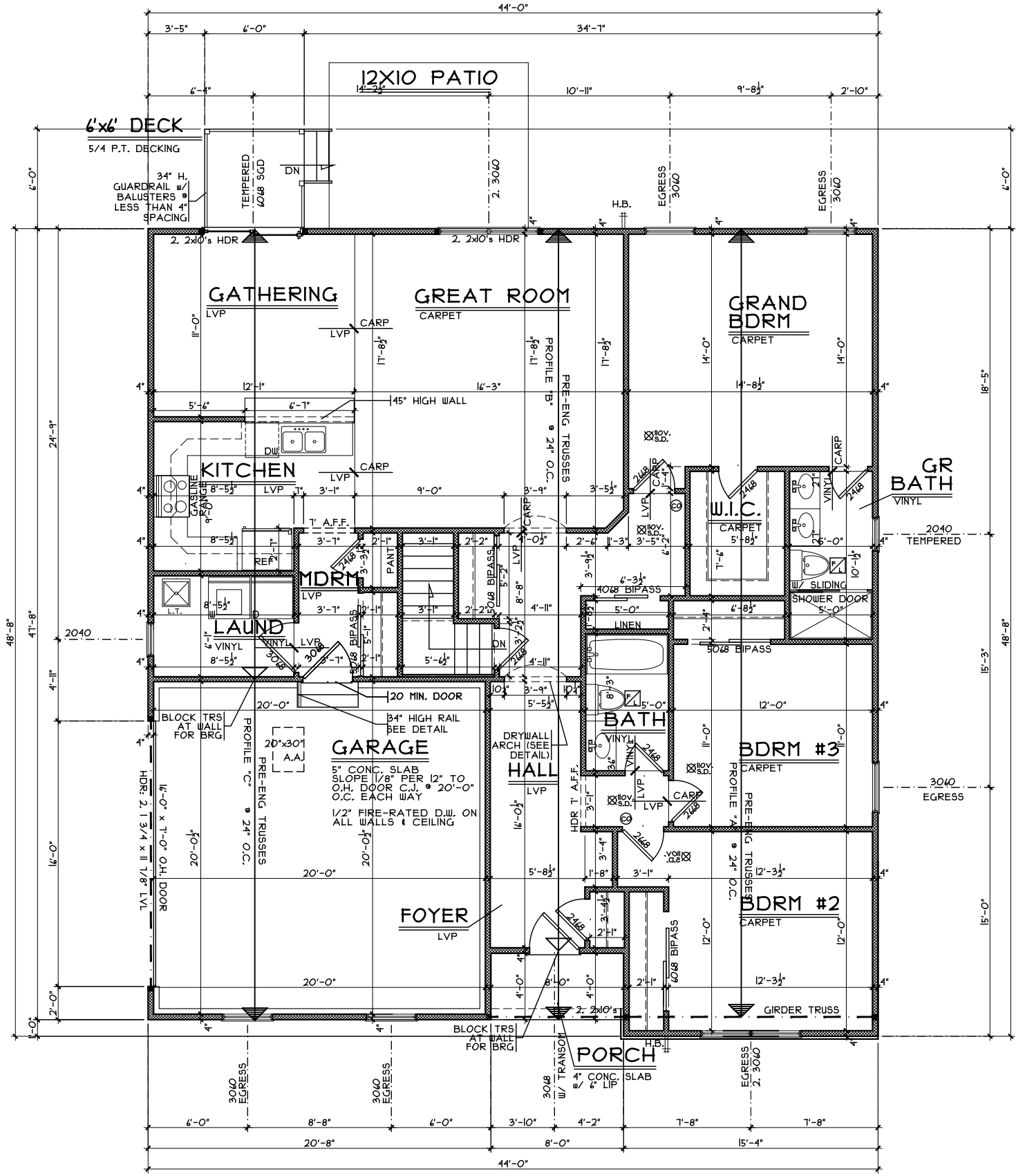
CRISTO HOMES
 7594-A Tylers Place Blvd.
 West Chester, OH 45069
 513.755.0570 www.cristohomes.com



DRYWALL ARCH DET
SCALE: 1/4" = 1'-0"



GARAGE HANDRAIL DETAIL
SCALE: 3/8" = 1'-0" W/ BASEMENT



FIRST FLOOR PLAN
SCALE: 1/8" = 1'-0" 1665 S.F.

First Floor Plan -

Plan : Ashcott
Date : 10/19/2015
Drawn: WLH
Scale : As Noted
Revised: 12/15/15
Sheet : 11 of 12

NHS3-0068

Proposed Residence:
Tremaglio Residence
10 Red Oak Lane
Lot 68 The colonies Of North Hill

Ashcott - European - Composite

Cristo Homes reserves all property rights in these plans. These plans are not to be reproduced, changed, or copied in any manner. They are not to be given to a third party, either in full or in part, without first receiving written permission from Cristo Homes. In the event these plans are used by a third party, Cristo Homes shall be held harmless.

Issue Dates	Revised
10/26/15	Reviewed
10/27/15	Revised
11/12/15	Revised
12/15/2015	Revised

A3.0a

Springboro, OH
Warren County