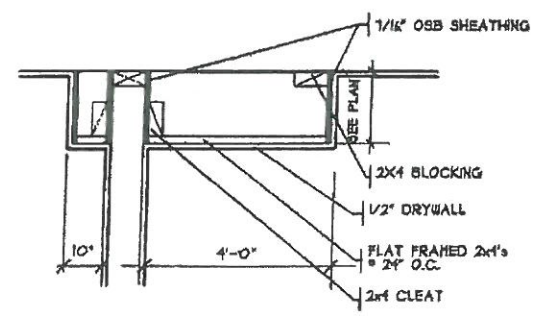
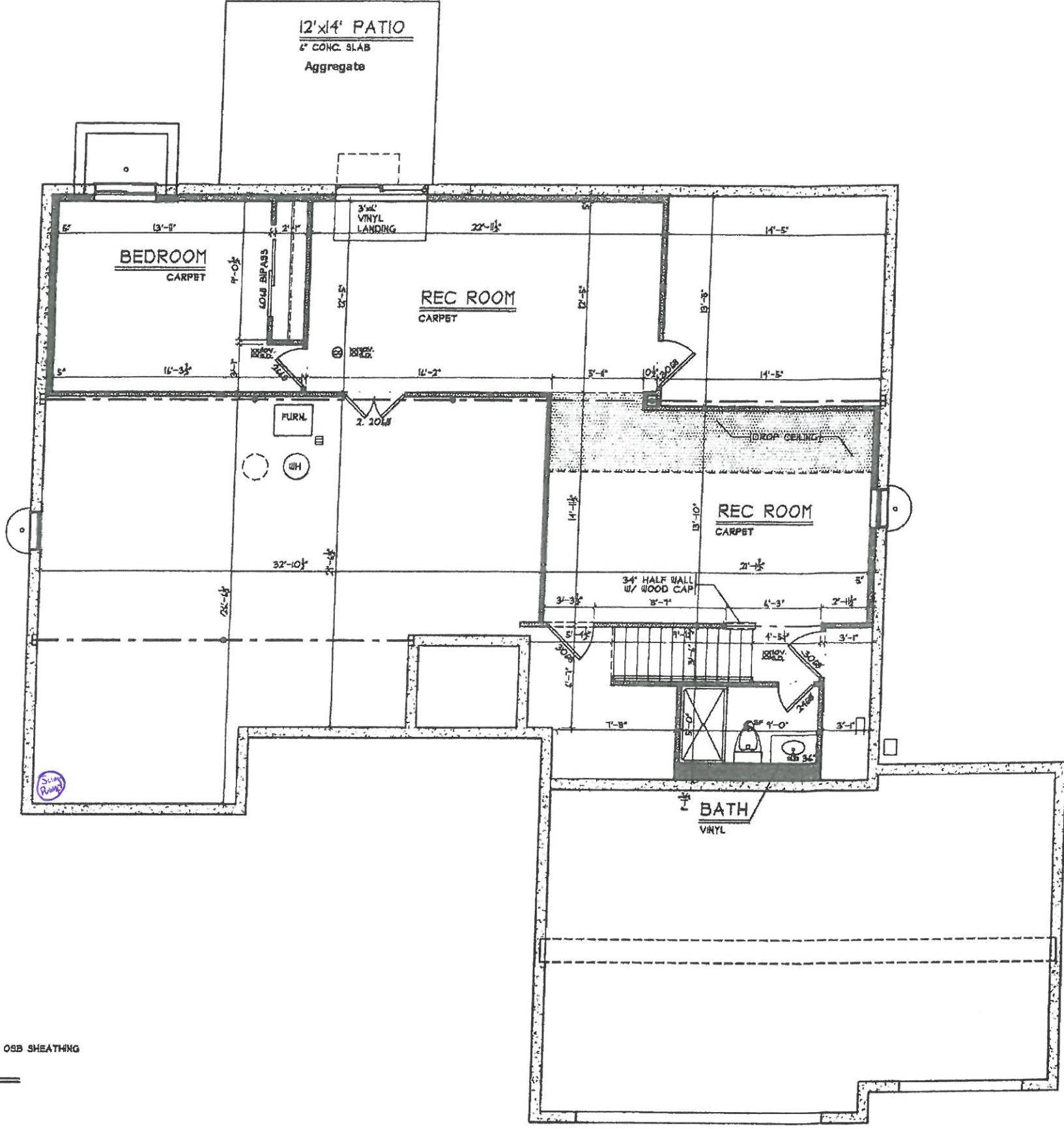


FIN. LL WALL DETAIL
 SCALE: 3/16" = 1'-0"



DROP CLG. DETAIL
 SCALE: 3/16" = 1'-0"



FINISHED LOWER LEVEL PLAN
 SCALE: 1/8" = 1'-0" 125 S.F.

OPTIONS

Finished Lower Level

Plan : Milan
 Date : 12.10.2013
 Drawn : LCC
 Scale : As Noted
 Revised :
 Sheet : 5 of 13

Cristo Homes
 7994-A Tysons Place Blvd.
 West Chester, OH 45399
 913.755.0570 www.cristohomes.com

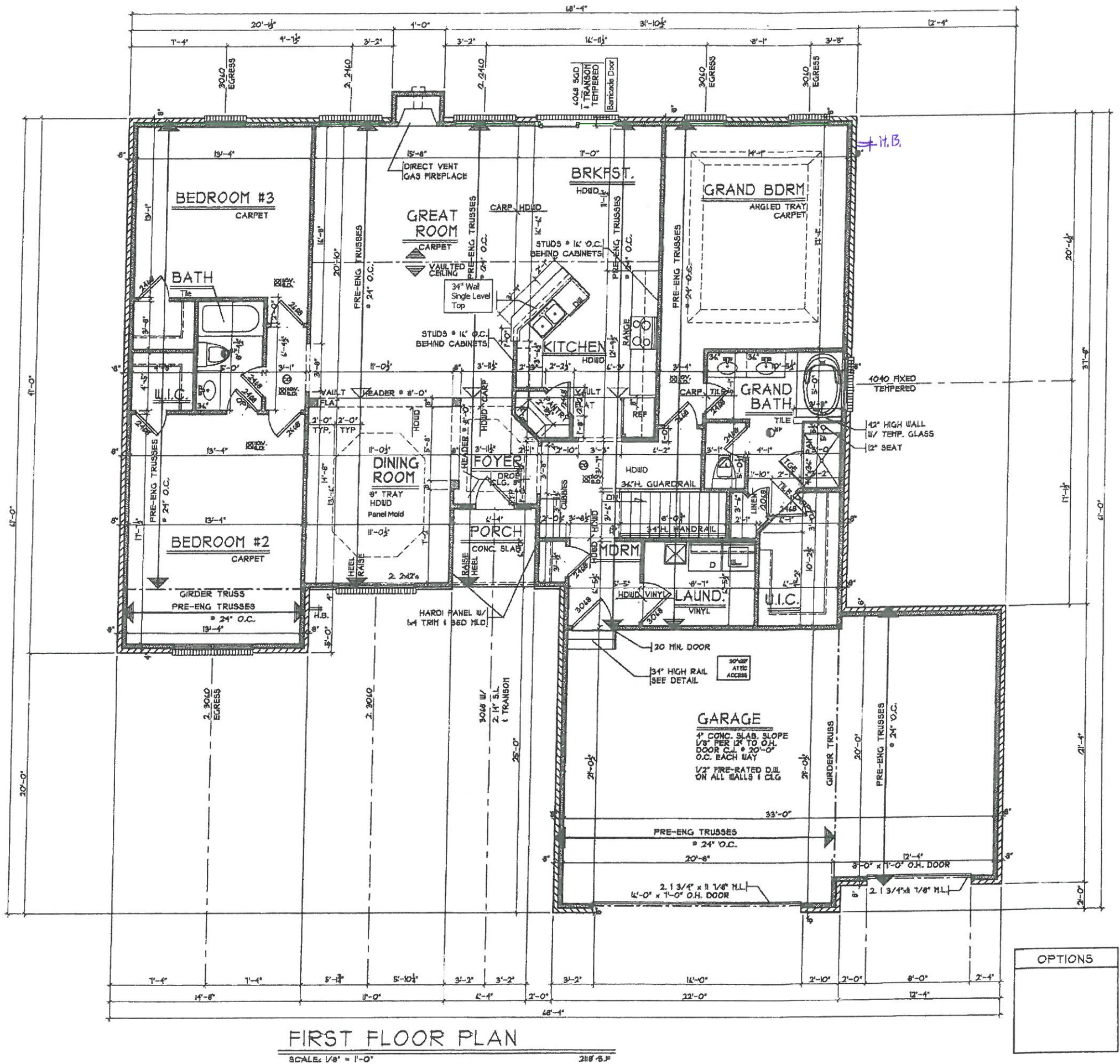
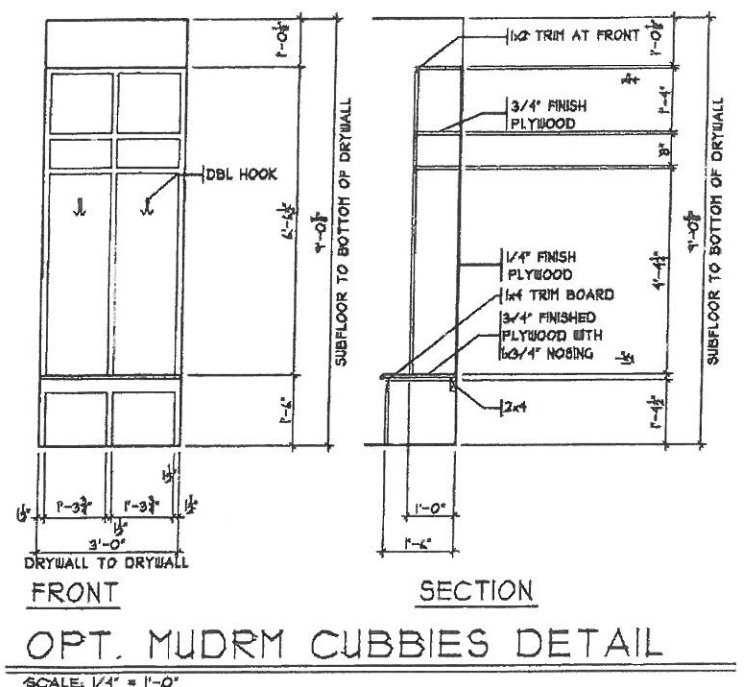
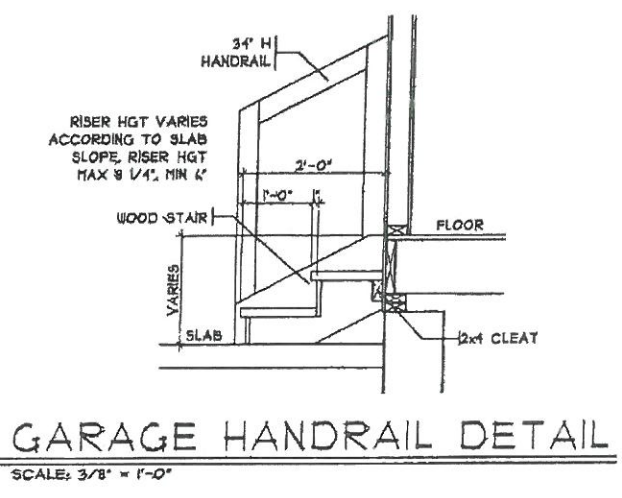
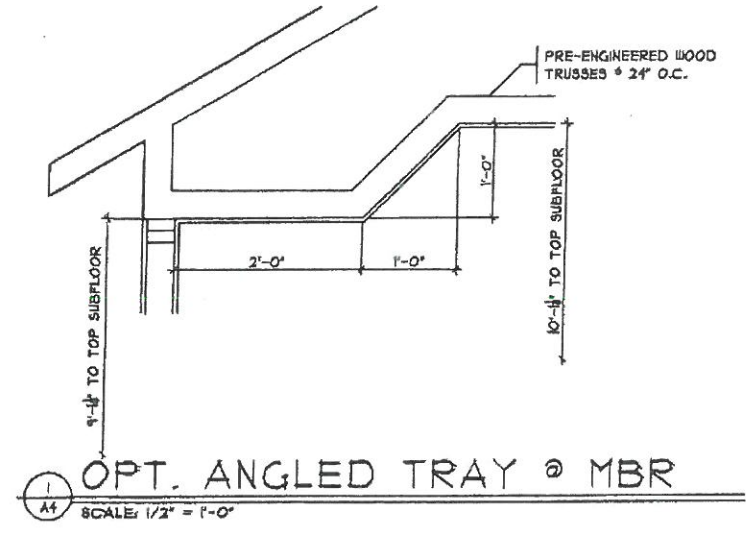
Proposed Residence:
 Hasler Residence
 15 English Oak Lane
 Lot #94 The Terrace of North Hills at Stoneridge

Springboro, OH
 Warren County

Milan
 Cristo Homes reserves all property rights in these plans. These plans are not to be reproduced, changed, or copied in any manner. They are not to be given to a third party, either in full or in part, without first receiving written permission from Cristo Homes. In the event these plans are used by a third party, Cristo Homes shall be held harmless.

Review	10.15.2014
Final	10.31.2014
Revised	11.7.2014

A3b



OPTIONS

Issue Dates

Review	10.15.2013
Final	10.31.2013
Revised	11.7.2014

Milan
Cristo Homes reserves all property rights in these plans. These plans are not to be reproduced, changed, or copied in any manner. They are not to be given to a third party, either in full or in part, without first receiving written permission from Cristo Homes. In the event these plans are used by a third party, Cristo Homes shall be held harmless.

Proposed Residence:
Springboro, OH
Warren County
Hasler Residence
15 English Oak Lane
Lot #94 The Terrace of North Hills at Stoneridge

Cristo Homes
7594A Tylers Place Blvd.
West Chester, OH 45389
513.755.6570 www.cristohomes.com

First Floor Framing Plan
Plan: Milan
Date: 12.10.2013
Drawn: LCC
Scale: As Noted
Revised:
Sheet: 6 of 13

NHS4-0094

A4