

# BUILDING TYPE Portico (D2+M 2010)

8346 Park Place, West Chester, OH 45069 - Lot # 167

## Epcon Communities - Villas at Park Place

### Condominium



**EPCON**  
Communities

Where Life Comes Together™

Park Place West Chester, LLC  
(513) 868-9800

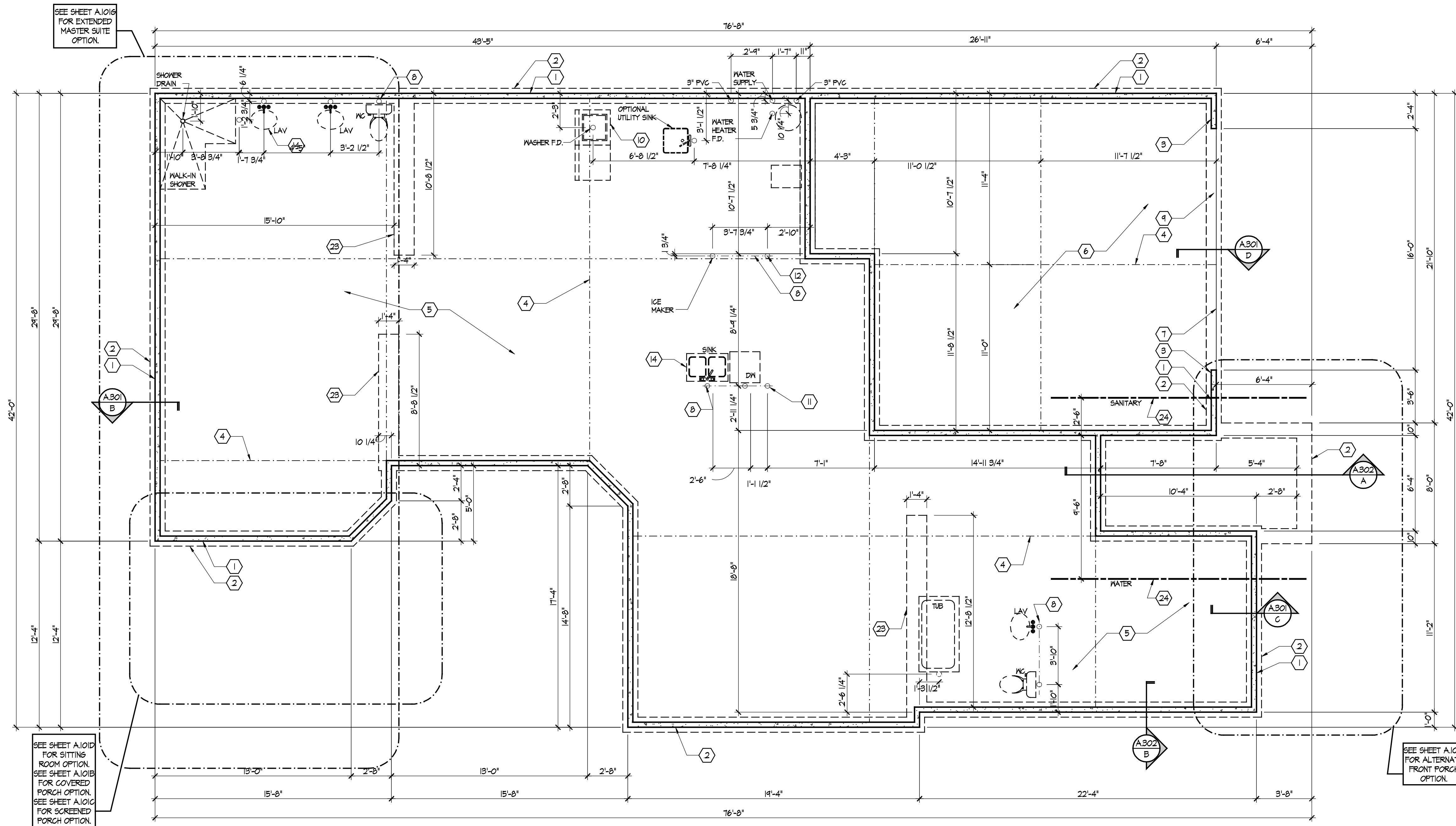
INDEX TO DRAWINGS	
<b>BUILDING D-2+M</b>	
A.100	FOUNDATION PLAN
A.101	FIRST FLOOR PLAN
A.101B	COVERED PORCH OPTION
<del>A.101C</del>	<del>SCREENED PORCH OPTION</del>
<del>A.101D</del>	<del>SITTING ROOM OPTION</del>
A.101E	ALTERNATE PORCH PLANS AND ELEVATIONS
A.101F	ALTERNATE ROOF PLAN & ROOF FRAMING PLAN
<del>A.101G</del>	<del>DELUXE MASTER SUITE OPTION</del>
A.102	ROOF PLAN
A.201	EXTERIOR ELEVATIONS
S.101	ROOF FRAMING PLAN
S.102	ROOF TRUSS PROFILES
S.103	SHEAR WALL PLAN
S.104	SHEAR WALL DETAILS
A.301	WALL SECTIONS
A.302	WALL SECTIONS
A.303	WALL SECTIONS
A.304	DETAILS
A.401	INTERIOR ELEVATIONS
A.501	INTERIOR FINISH PLAN AND SCHEDULES
A.502	WINDOW DETAILS
P.100	PLUMBING PLANS
P.101	SUPPLY PLUMBING PLAN
P.102	PLUMBING SPECIFICATIONS AND SCHEDULES
H.100	HVAC PLAN, SCHEDULES, AND OPTIONS
E.100	ELECTRICAL PLAN
E.101	ELECTRICAL PLAN AND DETAILS - DELUXE KITCHEN

GENERAL NOTES	
1.	ALL WORK SHALL COMPLY WITH APPLICABLE STATE AND LOCAL BUILDING CODES AND THE BUILDING STANDARDS REFERENCED THEREIN.
2.	ALL WORK SHALL CONFORM TO THE HIGHEST LEVELS OF THE APPROPRIATE INDUSTRY STANDARDS FOR CUSTOM WORK.
3.	ALL WORK TO BE COORDINATED AND SCHEDULED BY THE OWNER.
4.	FRAMING LUMBER IN CONTACT WITH CONCRETE OR MASONRY, OR EXPOSED TO THE EXTERIOR SHALL BE PRESERVATIVE PRESSURE TREATED.
5.	PLAN DIMENSIONS ARE TO FACE OF ROUGH FRAMING OR MASONRY UNLESS NOTED OTHERWISE. DIMENSIONS TO EXTERIOR WALLS INCLUDE 7/16" EXT. SHEATHING, ROUNDED TO THE NEAREST 1/4".
6.	FINISH FLOOR ELEV. @ FIRST FLOOR LEVEL IS SET AT 100'-0". SEE SITE PLAN FOR ACTUAL FIRST FLOOR ELEVATION @ EACH BUILDING.
7.	ALL INTERIOR PARTITIONS SHALL BE 2x4 STUDS @ 16" O.C. WITH 1/2" DRYWALL EACH SIDE. PLAN DIMENSION IS ASSUMED TO BE 3 1/2" UNLESS NOTED OTHERWISE. PROVIDE SOLID LUMBER BLOCKING FOR ALL WALL MOUNTED ITEMS.
8.	ALL DRYWALL IN WET AREAS, AND AS A SUBSTRATE FOR TILE, SHALL BE MOISTURE RESISTANT 1/2" WATERBOARD OR GREENBOARD.
9.	ALL INTERIOR COLORS AND FINISHES, NOT SPECIFIED HEREIN, TO BE SELECTED BY THE OWNER.

CODE REVIEW INFORMATION	
GOVERNING BUILDING CODE:	2013 RESIDENTIAL CODE OF OHIO
CONSTRUCTION TYPE:	WOOD FRAME
NUMBER OF STORIES:	1 STORY
BUILDING AREAS:	2,453 SF TOTAL AREA - FIRST FLOOR

GENERAL SPECIFICATIONS																																																																																		
<p><b>GENERAL</b></p> <p>1. THE STRUCTURE IS DESIGNED TO BE SELF-SUPPORTING AND STABLE AFTER THE BUILDING IS FULLY COMPLETE. IT IS SOLELY THE CONTRACTOR'S RESPONSIBILITY TO INSURE THE SAFETY OF THE BUILDING AND ITS COMPONENT PARTS DURING ERECTION. THIS INCLUDES THE ADDITION OF TEMPORARY BRACING OR GUYS THAT MIGHT BE NECESSARY.</p> <p>2. IT IS SOLELY THE CONTRACTOR'S RESPONSIBILITY TO FOLLOW ALL APPLICABLE SAFETY CODES AND REGULATIONS DURING ALL PHASES OF CONSTRUCTION.</p> <p>3. THIS STRUCTURE IS DESIGNED TO RESIST THE FOLLOWING MINIMUM UNIFORMLY DISTRIBUTED LIVE LOADS:</p> <table border="1"> <tr> <td>ATTICS WITHOUT STORAGE</td> <td>10 PSF</td> </tr> <tr> <td>ATTICS WITH LIMITED STORAGE</td> <td>20 PSF</td> </tr> <tr> <td>HABITABLE ATTICS</td> <td>30 PSF</td> </tr> <tr> <td>ATTICS WITH FIXED STAIRS</td> <td>30 PSF</td> </tr> <tr> <td>BALCONIES &amp; DECKS</td> <td>40 PSF</td> </tr> <tr> <td>ROOMS OTHER THAN SLEEPING ROOMS</td> <td>30 PSF</td> </tr> <tr> <td>SLEEPING ROOMS</td> <td>30 PSF</td> </tr> <tr> <td>STAIRS</td> <td>40 PSF</td> </tr> <tr> <td>ROOF</td> <td>25 PSF (GROUND SNOW LOAD)</td> </tr> <tr> <td>CEILING JOISTS (HIGH SLOPE RAFTERS)</td> <td>20 PSF</td> </tr> <tr> <td>CEILING JOISTS (LOW SLOPE/NO STORAGE)</td> <td>10 PSF</td> </tr> <tr> <td>WIND</td> <td>90 MPH (3 SECOND GUST), EXP. B</td> </tr> </table> <p><b>CONCRETE</b></p> <p>1. STRUCTURAL CONCRETE:</p> <table border="1"> <tr> <td>FOOTINGS, INTERIOR SLABS</td> <td>FC = 3000 PSI</td> </tr> <tr> <td>EXPOSED WALLS, GARAGE SLABS</td> <td></td> </tr> <tr> <td>AND EXTERIOR SLABS ON GRADE</td> <td>FC = 4000 PSI (5% - 7% ENTRAINED AIR)</td> </tr> <tr> <td>ALL DEFORMED REINFORCING BARS</td> <td>FY = 60,000 PSI</td> </tr> </table> <p>2. CONCRETE TO BE MIXED AND PLACED PER ACI SPECIFICATIONS.</p> <p><b>MASONRY</b></p> <p>1. MASONRY VENEER SHALL BE ANCHORED TO THE SUPPORTING WALL WITH CORROSION-RESISTANT METAL TIES EMBEDDED IN MORTAR OR GROUT, AND EXTENDING INTO THE VENEER A MINIMUM OF 1-1/2", WITH NOT LESS THAN 5/8" MORTAR OR GROUT COVER TO OUTSIDE FACE.</p> <p>2. WHERE VENEER IS ANCHORED TO WOOD BACKINGS BY CORRUGATED SHEET METAL TIES, THE DISTANCE SEPARATING THE VENEER FROM THE SHEATHING MATERIAL SHALL BE A MAXIMUM OF 1".</p> <p>3. SHEET METAL TIES SHALL BE NOT LESS THAN NO. 22 U.S. GAGE BY 1/8" CORRUGATED. EACH TIE SHALL BE SPACED NOT MORE THAN 24" ON CENTER HORIZONTALLY AND VERTICALLY, AND SHALL SUPPORT NOT MORE THAN 267 SF OF WALL AREA.</p> <p>4. ADDITIONAL TIES SHALL BE PROVIDED AROUND ALL WALL OPENINGS GREATER THAN 16" IN EITHER DIMENSION. METAL TIES AROUND THE PERIMETER OF OPENINGS SHALL BE SPACED NOT MORE THAN 3'-0" O.C., AND PLACED WITHIN 12" OF THE WALL OPENING.</p> <p><b>VINYL SIDING</b></p> <p>1. VINYL SIDING SHALL BE CERTIFIED AND LABELED AS CONFORMING TO THE REQUIREMENTS OF ASTM D 3614 BY AN APPROVED QUALITY CONTROL AGENCY.</p> <p>2. VINYL SIDING, SOFFIT, AND ACCESSORIES SHALL BE INSTALLED IN ACCORDANCE WITH THE MANUFACTURER'S INSTALLATION INSTRUCTIONS.</p> <p>3. SOFFIT PANELS SHALL BE INDIVIDUALLY FASTENED TO A SUPPORTING COMPONENT SUCH AS A NAILING STRIP, FASCIA, OR SUBFASCIA COMPONENT, OR AS SPECIFIED BY THE MANUFACTURER.</p> <p><b>ASPHALT SHINGLES</b></p> <p>1. SHINGLE PACKAGING SHALL BEAR A LABEL TO INDICATE COMPLIANCE TO:</p> <table border="1"> <tr> <td>ASPHALT SHINGLES SHALL BE TESTED IN ACCORDANCE WITH ASTM D 7159.</td> <td></td> </tr> <tr> <td>SHINGLES SHALL MEET THE CLASSIFICATION REQUIREMENTS FOR THE APPROPRIATE MAXIMUM BASIC WIND SPEED.</td> <td></td> </tr> <tr> <td>MAXIMUM BASIC WIND SPEED</td> <td>CLASSIFICATION REQUIREMENT PER ASTM D 7159</td> </tr> <tr> <td>90 MPH</td> <td>D, 6 OR H</td> </tr> <tr> <td>100 MPH</td> <td>G OR H</td> </tr> <tr> <td>110 MPH</td> <td>F OR H</td> </tr> </table>	ATTICS WITHOUT STORAGE	10 PSF	ATTICS WITH LIMITED STORAGE	20 PSF	HABITABLE ATTICS	30 PSF	ATTICS WITH FIXED STAIRS	30 PSF	BALCONIES & DECKS	40 PSF	ROOMS OTHER THAN SLEEPING ROOMS	30 PSF	SLEEPING ROOMS	30 PSF	STAIRS	40 PSF	ROOF	25 PSF (GROUND SNOW LOAD)	CEILING JOISTS (HIGH SLOPE RAFTERS)	20 PSF	CEILING JOISTS (LOW SLOPE/NO STORAGE)	10 PSF	WIND	90 MPH (3 SECOND GUST), EXP. B	FOOTINGS, INTERIOR SLABS	FC = 3000 PSI	EXPOSED WALLS, GARAGE SLABS		AND EXTERIOR SLABS ON GRADE	FC = 4000 PSI (5% - 7% ENTRAINED AIR)	ALL DEFORMED REINFORCING BARS	FY = 60,000 PSI	ASPHALT SHINGLES SHALL BE TESTED IN ACCORDANCE WITH ASTM D 7159.		SHINGLES SHALL MEET THE CLASSIFICATION REQUIREMENTS FOR THE APPROPRIATE MAXIMUM BASIC WIND SPEED.		MAXIMUM BASIC WIND SPEED	CLASSIFICATION REQUIREMENT PER ASTM D 7159	90 MPH	D, 6 OR H	100 MPH	G OR H	110 MPH	F OR H	<p><b>STRUCTURAL LUMBER</b></p> <p>1. JOISTS, BEAMS, RAFTERS, AND 2 x 6 STUDS ARE TO BE A MINIMUM GRADE OF SPRUCE-PINE-FIR (SOUTH) NO. 2, WITH THE FOLLOWING MINIMUM PROPERTIES:</p> <table border="1"> <tr> <td>FB = 750 PSI</td> </tr> <tr> <td>FV = 70 PSI</td> </tr> <tr> <td>FC = 335 PSI (PERPENDICULAR)</td> </tr> <tr> <td>FC = 975 PSI (PARALLEL)</td> </tr> <tr> <td>E = 1,000,000 PSI</td> </tr> </table> <p>2. 2 x 4 STUDS (UNLESS NOTED OTHERWISE, ARE TO BE A MINIMUM GRADE OF HEM-FIR STUD GRADE, WITH THE FOLLOWING MINIMUM PROPERTIES:</p> <table border="1"> <tr> <td>FB = 675 PSI FT</td> </tr> <tr> <td>FV = 75 PSI</td> </tr> <tr> <td>FC = 405 PSI (PERPENDICULAR)</td> </tr> <tr> <td>FC = 800 PSI</td> </tr> <tr> <td>E = 1,200,000 PSI</td> </tr> </table> <p>3. LAMINATED VENEER LUMBER (LVL) SHALL BE "1.9 MICROLAM LVL" AS MANUFACTURED BY TRUS JOIST MACMILLAN (OR EQUAL), WITH THE FOLLOWING DESIGN PROPERTIES:</p> <table border="1"> <tr> <td>FB = 2800 PSI (SINGLE L2' MEMBER)</td> </tr> <tr> <td>FV = 285 PSI</td> </tr> <tr> <td>FC = 750 PSI (PERPENDICULAR)</td> </tr> <tr> <td>FC = 2000 PSI (PARALLEL TO GRAIN)</td> </tr> <tr> <td>E = 1,900,000 PSI</td> </tr> </table> <p>4. UNLESS SPECIFICALLY SHOWN OTHERWISE, DESIGN, FABRICATION AND ERECTION SHALL BE GOVERNED BY THE LATEST REVISIONS OF:</p> <p>NATIONAL DESIGN SPECIFICATION FOR WOOD CONSTRUCTION PRODUCT STANDARD PS-1-83 FOR CONSTRUCTION AND INDUSTRIAL PLYWOOD APA PRF-109 FOR STRUCTURAL USE PANELS, OR PS 2-42 FOR WOOD-BASED STRUCTURAL USE PANELS APA RESIDENTIAL CONSTRUCTION GUIDE</p> <p>5. TRUSSES, STRUCTURAL COMPOSITE LUMBER, STRUCTURAL GLUE-LAMINATED MEMBERS, AND I-JOISTS SHALL BE SUPPORTED LATERALLY AS REQUIRED BY THE MANUFACTURER.</p> <p>6. ANY DRILLING OR NOTCHING OF THE WALL DOUBLE TOP PLATES SHALL BE IN COMPLIANCE WITH THE BUILDING CODE.</p> <p><b>MISCELLANEOUS</b></p> <p>1. USE ONE LINE OF SOLID BLOCKING OR CROSS BRIDGING AT 8'-0" O/C FOR CEILING JOISTS. USE SOLID BLOCKING AT BEARINGS.</p> <p>2. USE ONE CRIPPLE STUD AND ONE FULL HEIGHT STUD UNDER BEAM AND HEADER BEARING LESS THAN 4'-0" AND ONE CRIPPLE STUD AND TWO FULL HEIGHT STUDS UNDER BEAM AND HEADER BEARING 4'-0" OR GREATER, UNLESS SHOWN OTHERWISE.</p> <p>3. APPLY CONTINUOUS BEAD OF GLUE ON JOISTS AND GROOVE OF TONGUE-AND-GROOVE PANELS.</p> <p>4. BUILDING ENVELOPE AIR TIGHTNESS AND INSULATION INSTALLATION SHALL BE DEMONSTRATED TO COMPLY WITH ONE OF THE FOLLOWING OPTIONS:</p> <ol style="list-style-type: none"> <li>TESTING OPTION: TESTED AIR LEAKAGE WITH A BLOWER DOOR TEST</li> <li>VISUAL INSPECTION OPTION: INSPECTION OF ITEMS LISTED IN TABLE 1102.4.2. (SEE MECHANICAL DRAWINGS FOR ADDITIONAL INFORMATION)</li> </ol> <p>5. FRAMING LUMBER IN CONTACT WITH CONCRETE OR MASONRY, OR EXPOSED TO THE EXTERIOR SHALL BE PRESERVATIVE PRESSURE TREATED.</p> <p>6. ANY WOOD, INCLUDING EXTERIOR SHEATHING, WITHIN 6" OF FINISHED GRADE SHALL BE PRESERVATIVE-PRESSURE TREATED.</p> <p>7. WALL COVERINGS, BACKING MATERIALS, AND THEIR ATTACHMENTS SHALL BE CAPABLE OF RESISTING WIND LOADS IN ACCORDANCE WITH THE FOLLOWING TABLES:</p> <ol style="list-style-type: none"> <li>SEISMIC DESIGN CATEGORIES</li> <li>WEATHERING PROBABILITY MAP FOR CONCRETE</li> </ol> <p>8. AN APPROVED WATER-RESISTIVE BARRIER SHALL BE APPLIED OVER SHEATHING OF ALL EXTERIOR WALLS. SUCH MATERIAL SHALL BE APPLIED HORIZONTALLY, WITH THE UPPER LAYER LAPPED OVER THE LOWER LAYER NOT LESS THAN 2". WHERE JOINTS OCCUR, BARRIER SHALL BE LAPPED NOT LESS THAN 6". THE BARRIER SHALL BE CONTINUOUS TO THE TOP OF THE WALL, AND TERMINATED AT PENETRATIONS AND BUILDING APPENDAGES IN A MANNER TO MEET THE REQUIREMENTS OF THE EXTERIOR WALL ENVELOPE.</p>	FB = 750 PSI	FV = 70 PSI	FC = 335 PSI (PERPENDICULAR)	FC = 975 PSI (PARALLEL)	E = 1,000,000 PSI	FB = 675 PSI FT	FV = 75 PSI	FC = 405 PSI (PERPENDICULAR)	FC = 800 PSI	E = 1,200,000 PSI	FB = 2800 PSI (SINGLE L2' MEMBER)	FV = 285 PSI	FC = 750 PSI (PERPENDICULAR)	FC = 2000 PSI (PARALLEL TO GRAIN)	E = 1,900,000 PSI	<p><b>STRUCTURAL STEEL</b></p> <p>1. ANCHOR BOLTS AND OTHER BOLTS EXCEPT AS MAY BE NOTED: ASTM A307.</p> <p>2. STRUCTURAL STEEL TO BE ASTM A36 WITH A SHOP COAT OF RUST-INHIBITIVE PAINT, EXCEPT FOR CORROSION-RESISTANT STEEL, AND STEEL TREATED WITH COATINGS TO PROVIDE CORROSION RESISTANCE.</p> <p>3. STEEL BELOW GRADE TO BE PROTECTED BY A MINIMUM OF 3" OF CONCRETE OR 4" OF MASONRY.</p> <p>4. COLUMNS SHALL BE RESTRAINED TO PREVENT LATERAL DISPLACEMENT AT THE BOTTOM END. COLUMNS SHALL NOT BE LESS THAN 3" DIAMETER, SCHEDULE 40 PIPE, MANUFACTURED IN ACCORDANCE WITH ASTM A 53 GRADE B, OR APPROVED EQUIVALENT.</p> <p>5. STEEL LINTELS SHALL BE SHOP COATED WITH A RUST-INHIBITIVE PAINT, EXCEPT FOR LINTELS MADE OF CORROSION-RESISTANT STEEL, OR STEEL TREATED WITH COATINGS TO PROVIDE CORROSION RESISTANCE. THE ALLOWABLE SPAN SHALL NOT EXCEED THE FOLLOWING VALUES, WITH THE LONG LEG OF THE ANGLE IN THE VERTICAL POSITION.</p> <table border="1"> <thead> <tr> <th>ANGLE SIZE</th> <th>NO STORY ABOVE</th> <th>ONE STORY ABOVE</th> </tr> </thead> <tbody> <tr> <td>3" X 3" X 1/4"</td> <td>6'-0"</td> <td>4'-6"</td> </tr> <tr> <td>4" X 3" X 1/4"</td> <td>8'-0"</td> <td>6'-0"</td> </tr> <tr> <td>5" X 3-1/2" X 5/16"</td> <td>10'-0"</td> <td>8'-0"</td> </tr> <tr> <td>6" X 3-1/2" X 5/16"</td> <td>14'-0"</td> <td>9'-6"</td> </tr> </tbody> </table> <p><b>CONNECTIONS &amp; FASTENERS</b></p> <p>1. JOISTS TO BEAMS OR JOISTS TO TRUSSES - 16 GA. STD. JOIST HANGERS, UNLESS SHOWN OTHERWISE - AS MANUFACTURED BY SIMPSON STRONG TIE.</p> <p>2. ROOF TRUSSES TO SUPPORTING TOP PLATES OR BEAMS - USE HURRICANE TIES, EQUAL TO SIMPSON H3, WITH ALL NAIL HOLES FILLED; ONE PER TRUSS END.</p> <p>3. ROOF SHEATHING TO JOISTS/TRUSSES - USE 8D NAILS AT 6" O/C AT PANEL EDGES AND 12" O/C AT INTERMEDIATE SUPPORTS.</p> <p>4. FASTENERS AND CONNECTORS IN CONTACT WITH PRESERVATIVE-TREATED WOOD AND FIRE-RETARDANT-TREATED WOOD SHALL BE OF:</p> <ul style="list-style-type: none"> <li>HOT DIPPED ZINC-COATED GALVANIZED STEEL</li> <li>STAINLESS STEEL</li> <li>SILICON BRONZE</li> <li>COPPER</li> </ul> <p><b>TRUSS NOTES</b></p> <p>1. LUMBER AS REQUIRED BY THE TRUSS MANUFACTURER, MINIMUM GRADE TO BE SYP NO. 2, KD 15 PERCENT MC.</p> <p>2. CONNECTIONS: ALL INTERNAL TRUSS CONNECTIONS ARE TO BE DESIGNED BY THE TRUSS MANUFACTURER. CONNECTORS SHALL BE DEFORMED PLATE TYPE, OF MINIMUM 20 GAUGE GALVANIZED STEEL SHEET. ALL JOINTS ARE TO BE DESIGNED USING METHODS AS SET FORTH IN TPI STANDARDS 1476.</p> <p>3. HANGERS: ALL TRUSS TO TRUSS HANGERS ARE TO BE DESIGNED AND SUPPLIED BY THE TRUSS SUPPLIER.</p> <p>4. SPECIFICATIONS AND REFERENCE STANDARDS: UNLESS SPECIFICALLY SHOWN OTHERWISE, DESIGN, FABRICATION, ERECTION, HANDLING AND BRACING REQUIREMENTS ARE TO BE GOVERNED BY THE LATEST REVISIONS OF: NATIONAL DESIGN SPECIFICATIONS FOR STRESS-GRADE LUMBER AND ITS FASTENINGS TIMBER CONSTRUCTION STANDARDS DESIGN SPECIFICATIONS FOR LIGHT METAL PLATE CONNECTED WOOD TRUSSES TRUSS PLATE INSTITUTE PUBLICATION-B7M BRACING WOOD TRUSSES: COMMENTARY AND RECOMMENDATIONS</p> <p>5. ALL TRUSSES ARE TO BE DESIGNED BY THE TRUSS MANUFACTURER FOR THE FOLLOWING LOADS:</p> <table border="1"> <tr> <td>TOP CHORD LIVE LOAD:</td> <td>25 PSF (GROUND SNOW)</td> </tr> <tr> <td>DEAD LOAD:</td> <td>10 PSF</td> </tr> <tr> <td>BOTTOM CHORD LIVE LOAD:</td> <td>10 PSF</td> </tr> </table> <p>6. WHERE TRUSSES ARE REQUIRED TO FRAME INTO OTHER TRUSSES, THE DESIGN OF THE HANGERS SHALL BE THE RESPONSIBILITY OF THE TRUSS SUPPLIER. THIS IS TO INCLUDE THE DESIGN OF THE HANGERS AND PROVISION IN THE SUPPORTING TRUSS TO ACCEPT THE TYPE OF HANGER PROVIDED.</p> <p>7. TRUSS DESIGNS ARE TO BE SUBMITTED FOR REVIEW PRIOR TO FABRICATION. TRUSS SUBMITTAL SHALL INCLUDE THE FOLLOWING INFORMATION: TRUSS HANGER TYPE AND LOCATION FOR ALL TRUSSES FRAMING INTO TRUSSES TRUSS DESIGN DRAWINGS SHALL BE STAMPED BY A REGISTERED ENGINEER</p> <p>8. ALL MEMBERS OF MULTIPLE TRUSSES ARE TO BE NAILED TOGETHER WITH 10D COMMON NAILS AT 8" O.C., FOR DOUBLE TRUSSES, OR WITH 16D COMMON NAILS AT 8" O.C. FROM EACH SIDE, FOR TRIPLE TRUSSES.</p>	ANGLE SIZE	NO STORY ABOVE	ONE STORY ABOVE	3" X 3" X 1/4"	6'-0"	4'-6"	4" X 3" X 1/4"	8'-0"	6'-0"	5" X 3-1/2" X 5/16"	10'-0"	8'-0"	6" X 3-1/2" X 5/16"	14'-0"	9'-6"	TOP CHORD LIVE LOAD:	25 PSF (GROUND SNOW)	DEAD LOAD:	10 PSF	BOTTOM CHORD LIVE LOAD:	10 PSF
ATTICS WITHOUT STORAGE	10 PSF																																																																																	
ATTICS WITH LIMITED STORAGE	20 PSF																																																																																	
HABITABLE ATTICS	30 PSF																																																																																	
ATTICS WITH FIXED STAIRS	30 PSF																																																																																	
BALCONIES & DECKS	40 PSF																																																																																	
ROOMS OTHER THAN SLEEPING ROOMS	30 PSF																																																																																	
SLEEPING ROOMS	30 PSF																																																																																	
STAIRS	40 PSF																																																																																	
ROOF	25 PSF (GROUND SNOW LOAD)																																																																																	
CEILING JOISTS (HIGH SLOPE RAFTERS)	20 PSF																																																																																	
CEILING JOISTS (LOW SLOPE/NO STORAGE)	10 PSF																																																																																	
WIND	90 MPH (3 SECOND GUST), EXP. B																																																																																	
FOOTINGS, INTERIOR SLABS	FC = 3000 PSI																																																																																	
EXPOSED WALLS, GARAGE SLABS																																																																																		
AND EXTERIOR SLABS ON GRADE	FC = 4000 PSI (5% - 7% ENTRAINED AIR)																																																																																	
ALL DEFORMED REINFORCING BARS	FY = 60,000 PSI																																																																																	
ASPHALT SHINGLES SHALL BE TESTED IN ACCORDANCE WITH ASTM D 7159.																																																																																		
SHINGLES SHALL MEET THE CLASSIFICATION REQUIREMENTS FOR THE APPROPRIATE MAXIMUM BASIC WIND SPEED.																																																																																		
MAXIMUM BASIC WIND SPEED	CLASSIFICATION REQUIREMENT PER ASTM D 7159																																																																																	
90 MPH	D, 6 OR H																																																																																	
100 MPH	G OR H																																																																																	
110 MPH	F OR H																																																																																	
FB = 750 PSI																																																																																		
FV = 70 PSI																																																																																		
FC = 335 PSI (PERPENDICULAR)																																																																																		
FC = 975 PSI (PARALLEL)																																																																																		
E = 1,000,000 PSI																																																																																		
FB = 675 PSI FT																																																																																		
FV = 75 PSI																																																																																		
FC = 405 PSI (PERPENDICULAR)																																																																																		
FC = 800 PSI																																																																																		
E = 1,200,000 PSI																																																																																		
FB = 2800 PSI (SINGLE L2' MEMBER)																																																																																		
FV = 285 PSI																																																																																		
FC = 750 PSI (PERPENDICULAR)																																																																																		
FC = 2000 PSI (PARALLEL TO GRAIN)																																																																																		
E = 1,900,000 PSI																																																																																		
ANGLE SIZE	NO STORY ABOVE	ONE STORY ABOVE																																																																																
3" X 3" X 1/4"	6'-0"	4'-6"																																																																																
4" X 3" X 1/4"	8'-0"	6'-0"																																																																																
5" X 3-1/2" X 5/16"	10'-0"	8'-0"																																																																																
6" X 3-1/2" X 5/16"	14'-0"	9'-6"																																																																																
TOP CHORD LIVE LOAD:	25 PSF (GROUND SNOW)																																																																																	
DEAD LOAD:	10 PSF																																																																																	
BOTTOM CHORD LIVE LOAD:	10 PSF																																																																																	

GENERAL BUILDING INFORMATION
THIS BUILDING IS A (1) UNIT SINGLE FAMILY DWELLING STRUCTURE. THE DWELLING UNIT CONTAINS:
1,899 SF OF LIVING SPACE AND 554 SF GARAGE IN EACH UNIT. TOTAL = 2,453 SF. THE TYPE D-2+M UNIT IS A SINGLE STORY DESIGN OR A TWO STORY DESIGN WITH THE BONUS ROOM OPTION.
THE OPTIONS BELOW WILL EACH ADD THE FOLLOWING SQUARE FOOTAGE:
-SITTING ROOM - 117 SF-
-EXTENDED MASTER SUITE - 216 SF-



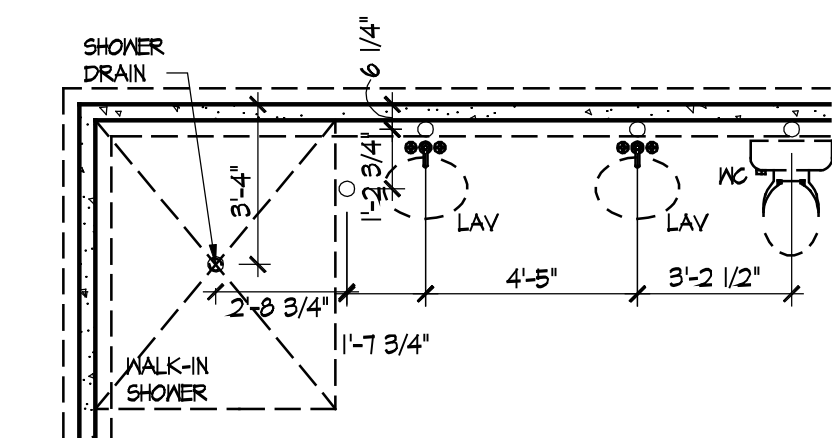
- FOUNDATION CODED NOTES**  
(FOUNDATION PLAN ONLY)  
(ALL NOTES NOT APPLICABLE TO ALL SHEETS)
- POURED CONCRETE FOUNDATION STEM WALL (TYPICAL) - SEE WALL SECTION SHEETS.
  - 12" WIDE CONCRETE FOOTING WITH STEEL BAR REINFORCING AS REQUIRED BY SOILS ENGINEER - MAINTAIN BOTTOM OF FOOTING A MINIMUM 30" BELOW FINISH GRADE AND TOP OF FOOTING SET 12" BELOW FINISHED FLOOR - TYPICAL.
  - PROVIDE MIN. 2 ANCHOR BOLTS EACH SIDE OF GARAGE DOORS.
  - SAW CUT CONTROL JOINT IN CONCRETE SLAB, 1/8" WIDE x 1/4" DEEP - TYPICAL.
  - 4" GLASS FIBER REINFORCED CONCRETE FLOOR SLAB OVER 4 MIL. POLYETHYLENE VAPOR BARRIER AND 4" GRAVEL BASE - TYPICAL.
  - 4" GLASS FIBER REINFORCED CONCRETE FLOOR SLAB OVER 4" GRAVEL BASE - TYPICAL IN GARAGES.
  - PROVIDE WEATHERLIP @ GARAGE DOOR OPENING - SEE DETAIL D, SHEET A301.
  - PIPE LOCATION CENTERED ON WALL ABOVE.
  - NO STEM WALL AT GARAGE DOOR OPENINGS.
  - WASHER ALWAYS LOCATED LEFT OF DRYER.
  - ELECTRICAL CONDUIT UNDER SLAB FOR ELECTRICAL OUTLET AT KITCHEN ISLAND.
  - ELECTRICAL CONDUIT SLAB PENETRATION.
  - 8" DEEP X 12" WIDE THICKENED SLAB WITH (2) NO. 4 REBAR CONTINUOUS, TYPICAL UNDER ALL BEARING WALLS.
  - DASHED LINES INDICATE LOCATION OF PLUMBING FIXTURES ABOVE - SHOWN FOR REFERENCE ONLY.
  - 10" WIDE X 10" DEEP CONCRETE PIER WITH 24" DIA. FOOTING. MAINTAIN BOTTOM OF FOOTING A MINIMUM 30" BELOW FINISH GRADE AND TOP OF PIER SET 6" BELOW FINISHED FLOOR.
  - DOTTED LINE INDICATES WALL LINE OF BASE UNIT.
  - 2'-6" x 2'-6" x 8" DEEP CONCRETE FOOTING WITH (8) NO. 4 REBAR EACH WAY (OR SIZE AS SHOWN).
  - 24" WIDE CONCRETE FOOTING WITH STEEL BAR REINFORCING AS REQUIRED BY SOILS ENGINEER - MAINTAIN BOTTOM OF FOOTING A MINIMUM 30" BELOW FINISH GRADE AND TOP OF FOOTING SET 12" BELOW FINISHED FLOOR.
  - 8" DEEP X 16" WIDE THICKENED SLAB WITH (2) NO. 4 REBAR CONTINUOUS, TYPICAL UNDER ALL BEARING WALLS.
  - 8" DEEP CONCRETE FOOTING WITH (8) NO. 4 REBAR EACH WAY - SEE PLANS FOR SIZE.
  - 16" WIDE CONCRETE FOOTING WITH STEEL BAR REINFORCING AS REQUIRED BY SOILS ENGINEER - MAINTAIN BOTTOM OF FOOTING A MINIMUM 30" BELOW FINISH GRADE AND TOP OF FOOTING SET 12" BELOW FINISHED FLOOR - TYPICAL.
  - 24" DIA. FOOTING - MAINTAIN BOTTOM OF FOOTING A MINIMUM 32" BELOW FINISH GRADE.
  - 12" DEEP X 16" WIDE THICKENED SLAB WITH (2) NO. 4 REBAR CONTINUOUS, TYPICAL UNDER ALL INTERIOR SHEAR WALLS.
  - PLUMBER TO PROVIDE 4" PVC SLEEVE FOR WATER AND 4" SANITARY LINE FOR INSTALLATION BY FOOTER CONTRACTOR.

**Foundation Plan**

Scale: 1/4" = 1'-0"

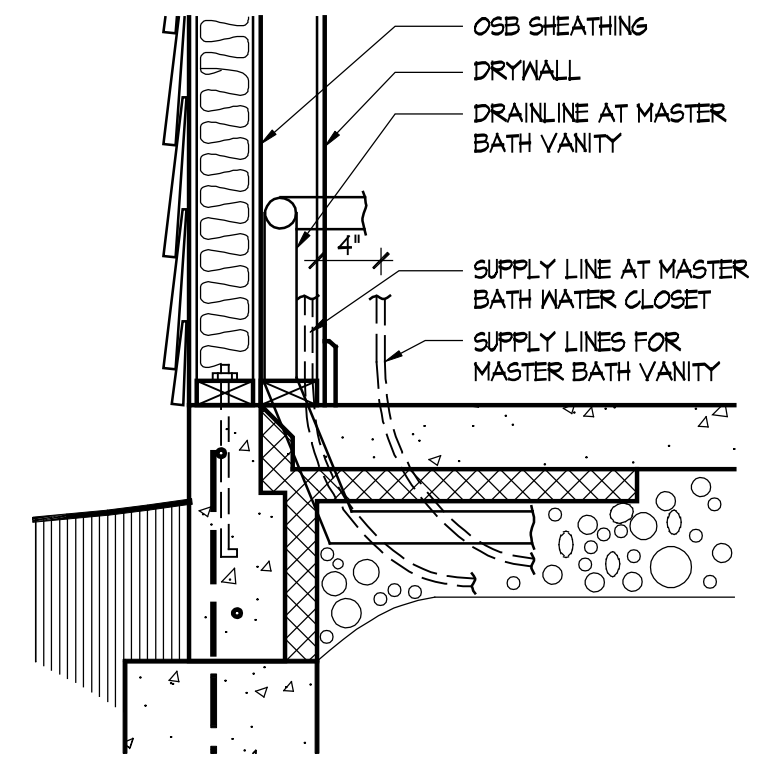
**GENERAL FOUNDATION NOTES**

- SOIL BEARING CAPACITY ASSUMED TO BE 2500 PSF AND SHALL BE VERIFIED BY SOILS ENGINEER PRIOR TO PLACEMENT OF BUILDING FOUNDATION. CONSULT ARCHITECT WHEN INADEQUATE SOIL CAPACITIES ARE FOUND.
- ALL DIMENSIONS ARE TO FACE OF FOUNDATION / BASEMENT WALL UNLESS NOTED OTHERWISE.
- HOLD DOWN TOP OF FOUNDATION WALL 8" AT ALL ENTRY DOORS TO ALLOW FOR EXTENSION OF FLOOR SLAB UNDER THE DOOR THRESHOLDS.
- PLUMBING CONTRACTOR TO USE ROUND BUCKETS FOR FORMED SLAB PENETRATIONS.
- CONCRETE CONTRACTOR TO INSTALL 1/2" EXP. JT. AROUND THE PERIMETER OF GARAGES.
- CONCRETE CONTRACTOR COORDINATE WITH PLUMBING FOR LOCATION OF BLOCKOUTS FOR UNDERSLAB LINES.
- CONCRETE CONTRACTOR - SEE FIRST FLOOR PLAN FOR SIDEWALKS AND PATIOS.
- CONCRETE CONTRACTOR TO VERIFY SLAB PENETRATION AT TUB/SHOWER OPTIONS.



**Master Bath - Optional Alternate Walk-In Shower**

Scale: 1/4" = 1'-0"



**Master Bath Plumbing Detail - Vanity/W.C.**

Scale: 1/4" = 1'-0"



**DEAN A. WENZ**  
ARCHITECTS

2463 E. MAIN STREET  
BEXLEY, OHIO 43209  
(614) 239-6868  
FAX (614) 239-9868

**Epcon Communities**  
**Villas at Park Place**  
By Park Place West Chester, LLC

**PROPRIETARY RIGHTS NOTICE**  
COPYRIGHT 2007 EPCON COMMUNITIES FRANCHISING, INC.  
ALL RIGHTS ARE RESERVED IN THIS INFORMATION AND ALL RELATED ILLUSTRATIONS, PLANS, BLUEPRINTS, SKETCHES, DRAWINGS, OR ANY OTHER TANGIBLE EXPRESSIONS THEREOF, WHICH ARE THE PROPERTY OF EPCON COMMUNITIES FRANCHISING, INC., 500 STONINGRIDGE PARKWAY, DUBLIN, OHIO 43017, TELEPHONE 614.652.3227. NO ONE MAY BUILD, LICENSE, TRANSFER, REPRODUCE OR DUPLICATE THIS WORK IN ANY WAY WITHOUT THE WRITTEN AUTHORIZATION OF EPCON COMMUNITIES FRANCHISING, INC.

THESE DRAWINGS SHALL BE USED IN CONFORMANCE WITH ALL LOCAL BUILDING, MECHANICAL, PLUMBING AND ELECTRICAL CODES AND SHALL MEET THE REQUIREMENTS OF THE HEALTH DEPARTMENT, FIRE MARSHAL, AMERICANS WITH DISABILITIES ACT ACCESSIBILITY GUIDELINES (ADAAG), THE FAIR HOUSING ACT ACCESSIBILITY GUIDELINES (FHAAG), AND SHALL BE CONSTRUCTED IN CONFORMANCE WITH STATE AND LOCAL ENERGY REQUIREMENTS.

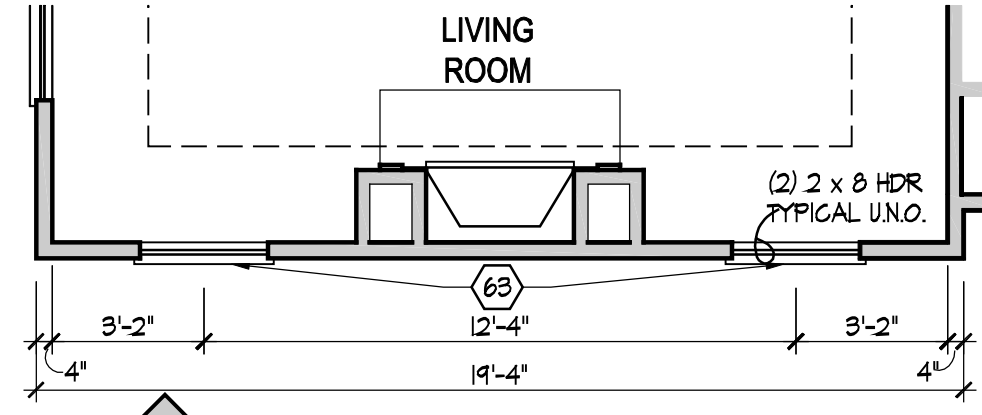
Prototype Disk No.	Interim Page Revisions	Revision	Date
			4/28/10

Architect Project Number  
2010-005

Community Dates & Revisions	
Date Originated	1 FEB 2015
Bid	
Permit	
Construction	
Revisions	
▲	▲
▲	▲

Drawing Title  
**Foundation Plan**

Architectural Style  
European Country  
Sheet Number  
**A.100**  
D2+M 2010



Living Room - Optional Windows

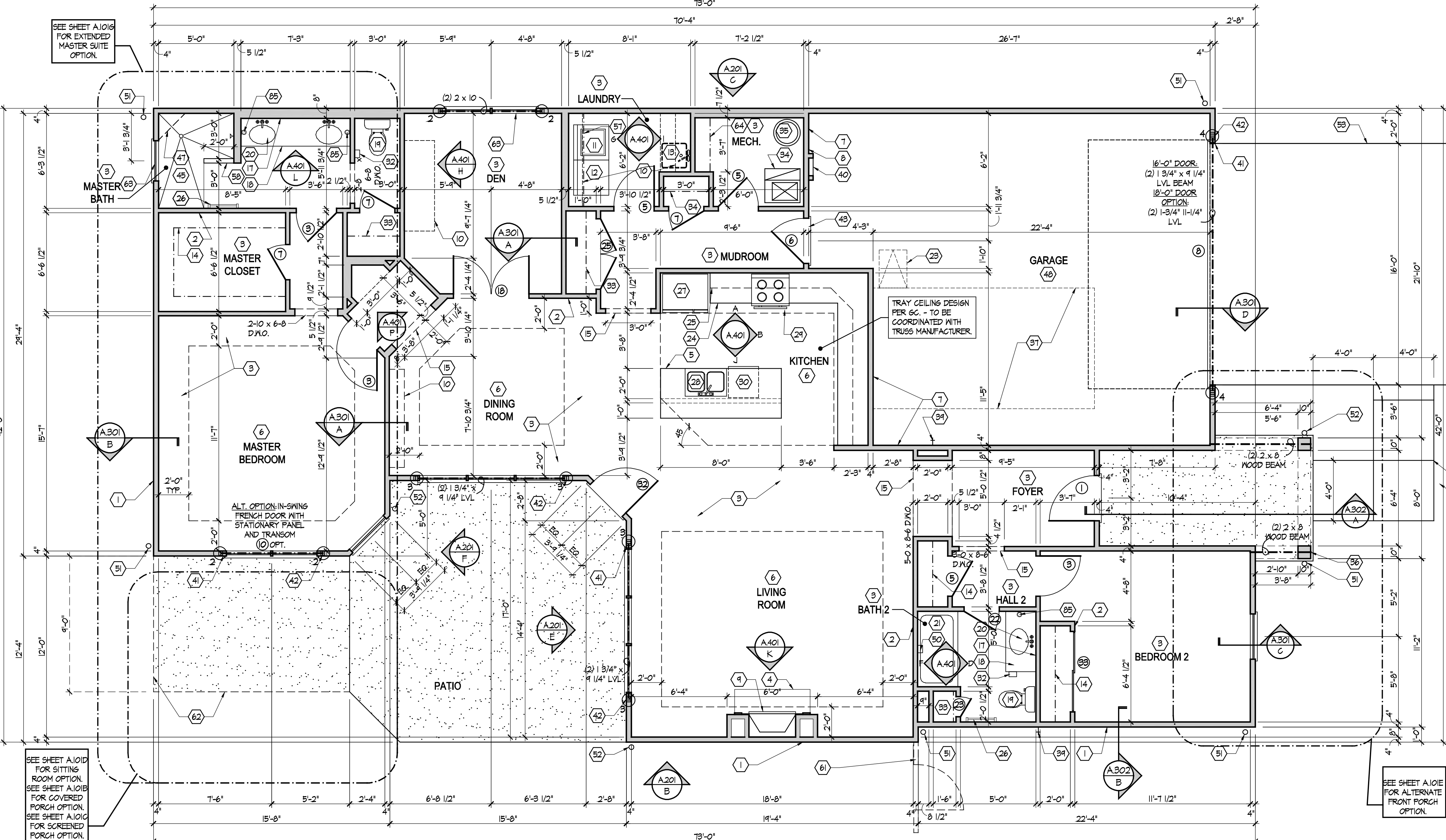
Scale: 1/4" = 1'-0"

GENERAL NOTES

- EXTERIOR WALL DIMENSIONS INCLUDE THICKNESS OF SHEATHING.
- REFER TO SITE LAYOUT PLAN FOR BUILDING LOCATIONS AND ORIENTATIONS.
- DOORS NOT OTHERWISE DIMENSIONED SHALL BE LOCATED WITH ROUGH OPENING 3" FROM INTERSECTING WALLS.
- AT SECOND FLOOR WALL LOCATIONS WITH PARALLEL FLOOR JOISTS/TRUSSES - PROVIDE 2 X BLOCKING FULL DEPTH OF FLOOR STRUCTURE BETWEEN JOISTS/TRUSSES @ 24" O.C.

FIRST FLOOR PLAN CODED NOTES

- (FIRST FLOOR UNIT PLANS ONLY)  
(ALL NOTES NOT APPLICABLE TO ALL SHEETS)
- EXTERIOR STUD WALL - 2 X 4 WOOD STUDS AT 16" O.C. WITH 1/2" DRYWALL ON ALL INTERIOR SURFACES AND 7/16" O.S.B. SHEATHING ON EXTERIOR SURFACES - TYPICAL.
  - INTERIOR STUD WALL - 2 X 4 WOOD STUDS AT 16" O.C. WITH 1/2" DRYWALL ON ALL FINISHED SURFACES - TYPICAL.
  - FLAT DRYWALL CEILING @ 4'-0" A.F.F. - TYPICAL UNLESS NOTED OTHERWISE.
  - 20" DEEP X 60" WIDE GRANITE HEARTH EXTENSION - CENTERED ON FIREBOX.
  - ISLAND BASE CABINETS & COUNTERTOP - FINISH ALL EDGES OF CABINETS & COUNTERTOP.
  - TRAY CEILING @ 10'-0" A.F.F.
  - PROVIDE FIBERGLASS BATT INSULATION IN GARAGE WALLS COMMON TO LIVING SPACE.
  - MAINTAIN 4" MINIMUM ELEVATION CHANGE BETWEEN GARAGE FLOOR & FINISHED FIRST FLOOR.
  - PREFABRICATED METAL FIREBOX UNIT HEARTH & HOME MODEL DV81228B1 (OR SIMILAR). PROVIDE GAS LINE, GAS LOG SET AND SCREEN - ROUGH OPENING 51" WIDE X 34 3/4" HIGH X 18" DEEP (26" DEEP WITH BUILT-IN CABINETRY OPTION).
  - OPTIONAL CABINETS - SEE INTERIOR ELEVATIONS.
  - WASHER LOCATION - PROVIDE WASHER BOX ON BACK WALL. WASHER ALWAYS LOCATED LEFT OF DRYER.
  - DRYER LOCATION - DRYER VENT IN WALL.
  - OPTIONAL UTILITY SINK AND FAUCET - INSTALL ROUGH-IN PLUMBING ONLY.
  - SINGLE CLOSET ROD & SHELF (81 1/2" A.F.F.) - VINYL COATED WIRE WITH STANDARD SPACING. VERIFY HEIGHT IN SECOND FLOOR KNEE WALL AREAS.
  - ARCHED OPENING. SPRING POINT @ 7'-8" A.F.F. TOP OF ARCH 8'-6" ABOVE SPRING POINT.
  - LOCATION OF DOUBLE 2 X 4 STUD WALL.
  - FRAMELESS MIRROR LOCATION - 42" HIGH X 2" SHORTER THAN VANITY TOP (1" EACH SIDE) - SET BOTTOM OF MIRROR AT TOP OF BACKSPLASH.
  - VANITY BASE AND COUNTERTOP @ 1/2" A.F.F.
  - TOILET & SEAT.
  - SELF-RIMMING COUNTER LAVATORY AND FAUCET.
  - 32" X 60" STANDARD TUB/SHOWER & FAUCET WITH CERAMIC TILE SURROUND.
  - TEMPERED GLASS SHOWER ENCLOSURE AND DOOR.
  - 25 1/2" X 54" OPTIONAL PULL DOWN STAIR LOCATED BETWEEN TRUSSES ABOVE. DRYWALL ON STAIR SHALL BE MOUNTED WITH SCREWS INTO THE TOP & BOTTOM DOOR CROSS SUPPORTS WITH THE CENTER GLUED LEAVING NO SCREWS EXPOSED.
  - BASE CABINETS AND COUNTERTOP.
  - LINE OF WALL CABINETS ABOVE.
  - 24" LONG TOWEL BAR - 54" A.F.F. (58" A.F.F. ABOVE TOILET).
  - REFRIGERATOR LOCATION.
  - DOUBLE BOWL SINK AND FAUCET.
  - RANGE LOCATION.
  - DISHWASHER LOCATION.
  - 10" X 10" BUILT-UP COLUMN - TYPICAL. SEE DETAIL D, SHEET A304 FOR MORE INFORMATION.
  - TOILET PAPER DISPENSER.
  - (4) 16" DEEP WIRE SHELVES (24", 42", 55", 68" A.F.F.) - STANDARD SPACING. TYPICAL AT LINEN CLOSETS AND PANTRIES, UNLESS NOTED OTHERWISE.
  - FURNACE LOCATION.
  - WATER HEATER LOCATION - WITH PAN.
  - 10" X 10" BUILT-UP COLUMN / FILASTER - TYPICAL. SEE DETAIL F, SHEET A304 FOR MORE INFORMATION.
  - 16'-0" X 8'-0" OPTIONAL ATTIC STORAGE ABOVE - PROVIDE 3/4" APA RATED SUB-FLOORING ON BOTTOM CHORD OF TRUSSES.
  - 1/2" WALL TO UNDERSIDE OF BAR COUNTERTOP.
  - HOSE BIBB LOCATION.
  - SURFACE MOUNTED ELECTRIC PANEL LOCATION.
  - PROVIDE (2) JACKS UNDER ALL HEADERS IN OPENINGS OVER 60" WIDE - TYPICAL.
  - INDICATES MULTIPLE STUD COLUMN IN WALL - TYPICAL AT BEARING OF ALL WOOD BEAMS, GIRDER TRUSSES UNLESS NOTED OTHERWISE. SEE PLAN FOR NUMBER OF STUDS REQUIRED.
  - MINIMUM 1/2" DRYWALL ON GARAGE SIDE.
  - 32" X 60" STANDARD SHOWER BASE.
  - CUSTOM TILED WALK-IN SHOWER BASE - SEE PLAN FOR SIZE.
  - WOOD GUARD RAIL (OPTIONAL) - SEE DETAIL K ON SHEET A304.
  - TILED CORNER SEAT OPTION - 30" WIDE X 18" A.F.F. HIGH.
  - FLAT DRYWALL CEILING ON UNDERSIDE OF BOTTOM CHORD OF ROOF TRUSSES OR FLOOR JOISTS.
  - FLAT DRYWALL CEILING @ 8'-4" A.F.F.
  - SOAP DISH - 5" HIGH X 7" WIDE.
  - DOWNSPOUT LOCATION.
  - DOWNSPOUT DISCHARGED INTO BLACK PIPE AND ROUTED UNDER WALKS OR PATIO.
  - EDGE OF DRIVEWAY.
  - 4" THICK SLAB TYPICAL @ CONCRETE WALKS/PORCHES/PATIOS
  - CONTROL JOINTS - TYPICAL.
  - DASHED LINES INDICATE BOXED BEAM ABOVE.
  - 12" DEEP SHELF (60" A.F.F.) - VINYL COATED WIRE - STANDARD SPACING.
  - SHOWER WALL - 6'-0" A.F.F.
  - OPTIONAL GARAGE SHELVING.
  - OPTIONAL DESK.
  - COURTYARD GATE AND FENCE LOCATION.
  - DASHED LINE INDICATES OPTIONAL PATIO SECTION.
  - OPTIONAL WINDOWS.
  - (4) 12" DEEP WIRE SHELVES (24", 42", 55", 68" A.F.F.) - STANDARD SPACING.
  - 32" X 60" SHOWER BASE WITH BUILT-IN SEAT.
  - HARDBOARD TREADS AND RISERS.
  - WOOD HANDRAIL - 34" ABOVE STAIR TREADS. RETURN ENDS TO WALL OR NEVEL POST.
  - SINGLE BOWL SINK AND FAUCET.



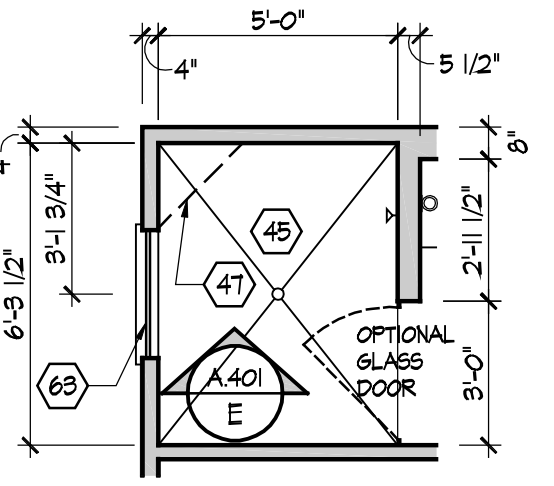
First Floor Plan

Scale: 1/4" = 1'-0"

SEE SHEET A101B FOR EXTENDED MASTER SUITE OPTION.

SEE SHEET A101D FOR SITTING ROOM OPTION. SEE SHEET A101B FOR COVERED PORCH OPTION. SEE SHEET A101C FOR SCREENED PORCH OPTION.

SEE SHEET A101E FOR ALTERNATE FRONT PORCH OPTION.



Master Bath - Optional Alternate Walk-In Shower

Scale: 1/4" = 1'-0"



DEAN A. WENZ  
ARCHITECTS

2463 E. MAIN STREET  
BEXLEY, OHIO 43209  
(614) 239-6868  
FAX (614) 239-9868

Epcon Communities  
Villas at Park Place  
By Park Place West Chester, LLC

PROPRIETARY RIGHTS NOTICE  
COPYRIGHT 2007 EPCON COMMUNITIES FRANCHISING, INC.  
ALL RIGHTS ARE RESERVED IN THIS INFORMATION AND ALL RELATED ILLUSTRATIONS, PLANS, BLUEPRINTS, SKETCHES, DRAWINGS, OR ANY OTHER TANGIBLE EXPRESSIONS THEREOF, WHICH ARE THE PROPERTY OF EPCON COMMUNITIES FRANCHISING, INC. 500 STONEHENGE PARKWAY, DUBLIN, OHIO 43017, TELEPHONE 614.882.3527. NO ONE MAY BUILD, LICENSE, TRANSFER, REPRODUCE OR DUPLICATE THIS WORK IN ANY WAY WITHOUT THE WRITTEN AUTHORIZATION OF EPCON COMMUNITIES FRANCHISING, INC.

THESE DRAWINGS SHALL BE USED IN CONFORMANCE WITH ALL LOCAL BUILDING, MECHANICAL, PLUMBING AND ELECTRICAL CODES AND SHALL MEET THE REQUIREMENTS OF THE HEALTH DEPARTMENT, FIRE MARSHALL, AMERICANS WITH DISABILITIES ACT ACCESSIBILITY GUIDELINES (ADAAG), THE FAIR HOUSING ACT ACCESSIBILITY GUIDELINES (FHAAG), AND SHALL BE CONSTRUCTED IN CONFORMANCE WITH STATE AND LOCAL ENERGY REQUIREMENTS.

Prototype Disk No.	Interim Revision	Page Revisions	Date
			4/28/10

Architect Project Number	2010-005
--------------------------	----------

Community Dates & Revisions	
Date Originated	1 FEB 2015
Bid	
Permit	
Construction	
Revisions	
▲	▲
▲	▲
▲	▲

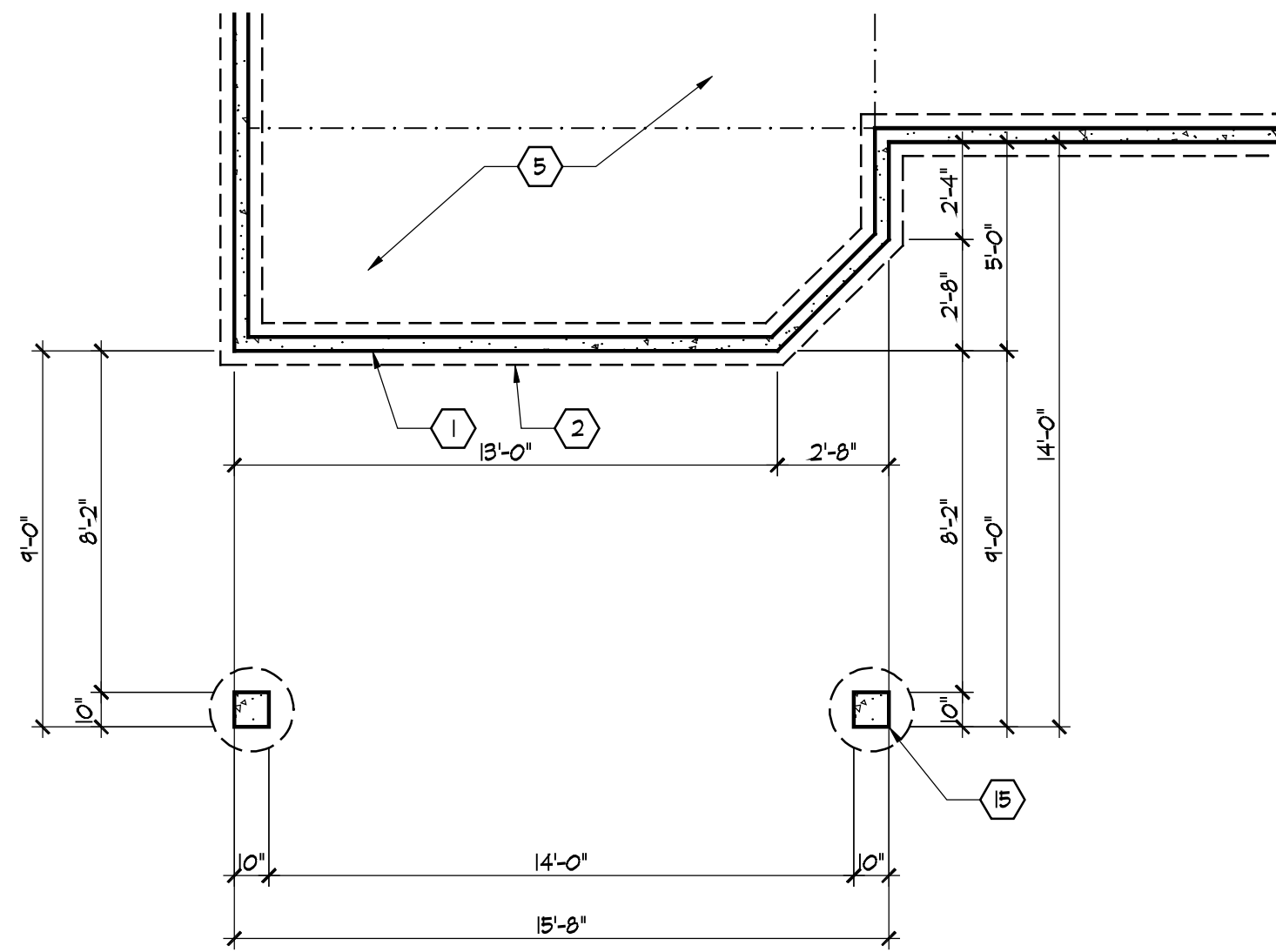
Drawing Title	First Floor Plan
---------------	------------------

Architectural Style  
European Country

Sheet Number

A.101  
D2+M 2010

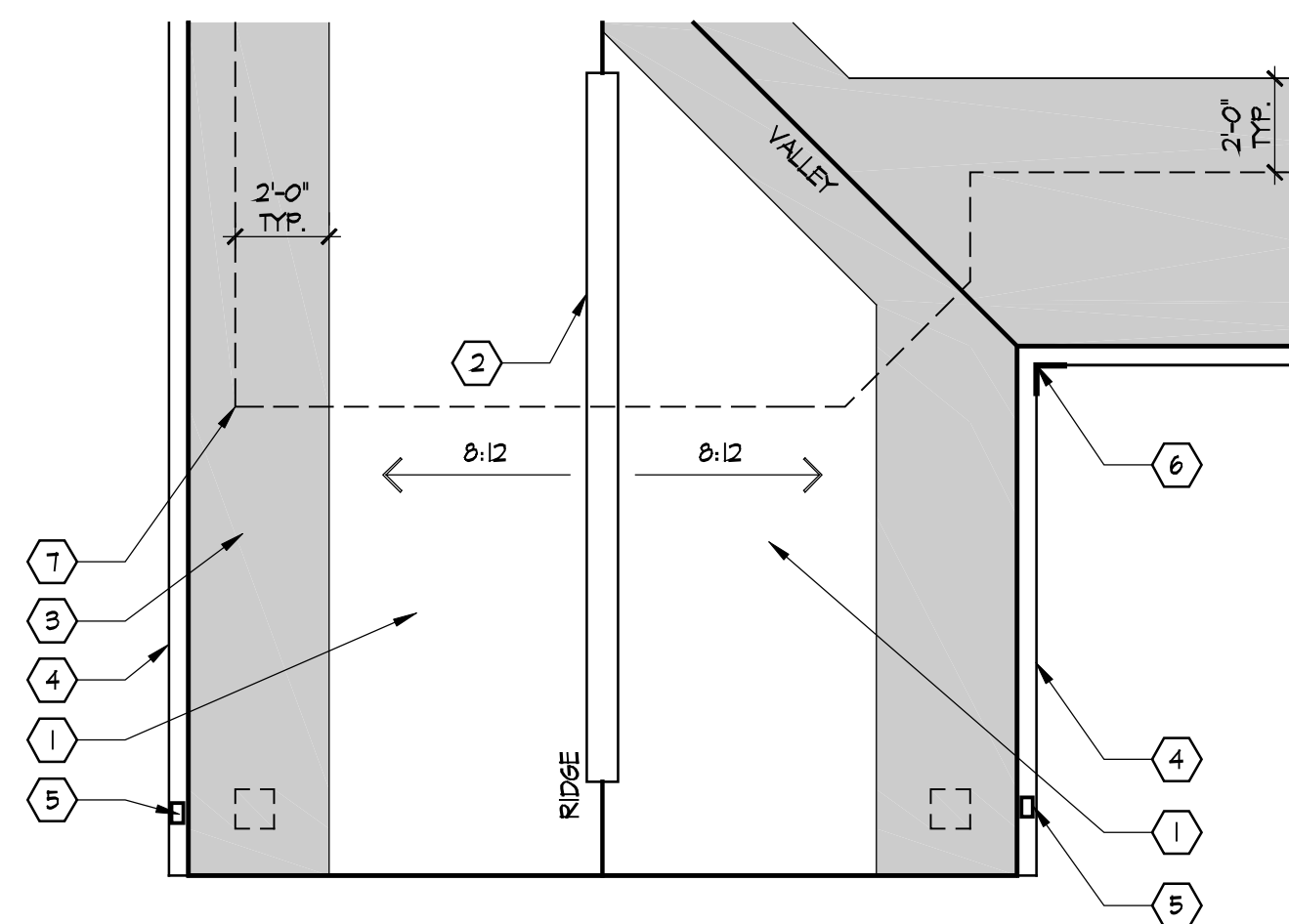
- 20" RANGE LOCATION.
- FLAT DRYWALL CEILING @ 8'-0" A.F.F.
- LINE OF BREAK OF SLOPED DRYWALL CEILING - FOLLOW BOTTOM CHORD OF ROOF TRUSSES OR RAFTERS ABOVE.
- SLOPED CEILING AREA ABOVE.
- ATTIC ACCESS PANEL. 22" X 30" MINIMUM. PANEL TO BE 6" MIN. ABOVE BASE IF LOCATED IN KNEE WALL PANEL. TO HAVE 1" QUARTER ROUND HOLDING AROUND EDGE. PANEL SHALL BE HEATHER-STRIPPED AND INSULATED TO A LEVEL EQUIVALENT TO THE INSULATION ON THE SURROUNDING SURFACES. IF IN THE CEILING, A BATTLE IS REQUIRED TO CONTAIN LOOSE-FILL INSULATION.
- UNDER THE COUNTER REFRIGERATOR LOCATION.
- FLAT DRYWALL CEILING @ 7'-0" A.F.F.
- 2 X 6 HALF WALL @ 36" A.F.F. WITH 1 X 8 HARDWOOD CAP - 1/2" LAG BOLT EACH END THRU SUB FLOOR.
- SINGLE CLOSET ROD & SHELF (48" A.F.F.) - VINYL COATED WIRE WITH STANDARD SPACING.
- KNEE WALL: 2 X 4 WOOD STUDS AT 16" O.C. WITH 1/2" DRYWALL ON ALL INTERIOR SURFACES, AND 1/4" O.S.B. BACKER PANEL ON EXTERIOR SURFACES - TYPICAL. RUN FROM FLOOR STRUCTURE BELOW TO UNDERSIDE OF ROOF FRAMING.
- 3" DIAMETER STANDARD STEEL PIPE COLUMN WITH 1/2" GAP PLATE AND 1/2" X 4" X 6" BASE PLATE.
- FULL HEIGHT PANTRY CABINET - SEE INTERIOR ELEVATIONS.
- DASHED LINE INDICATES BEAM - SEE BONUS ROOM GARAGE WALL SECTION.
- LINE INDICATES EXPOSED FOUNDATION STEM WALL.
- FLAT DRYWALL CEILING @ 8'-4" A.F.F.
- DASHED LINE INDICATES 8" CEILING SOFFIT FOR SANITARY LINES FROM BONUS ROOM.
- TOWEL RING.



**Partial Foundation Plan**

Scale: 1/4" = 1'-0"

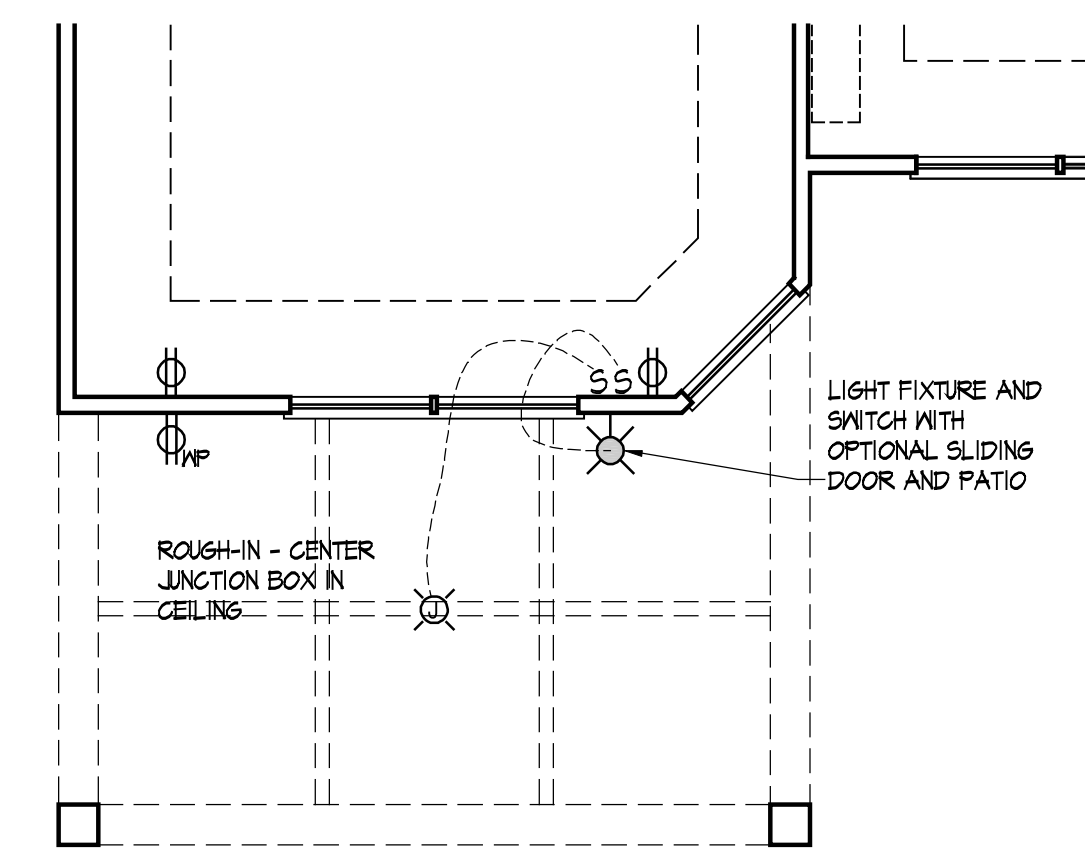
SEE SHEET A.100 FOR FOUNDATION CODED NOTES AND BASE FOUNDATION PLAN.



**Partial Roof Plan**

Scale: 1/4" = 1'-0"

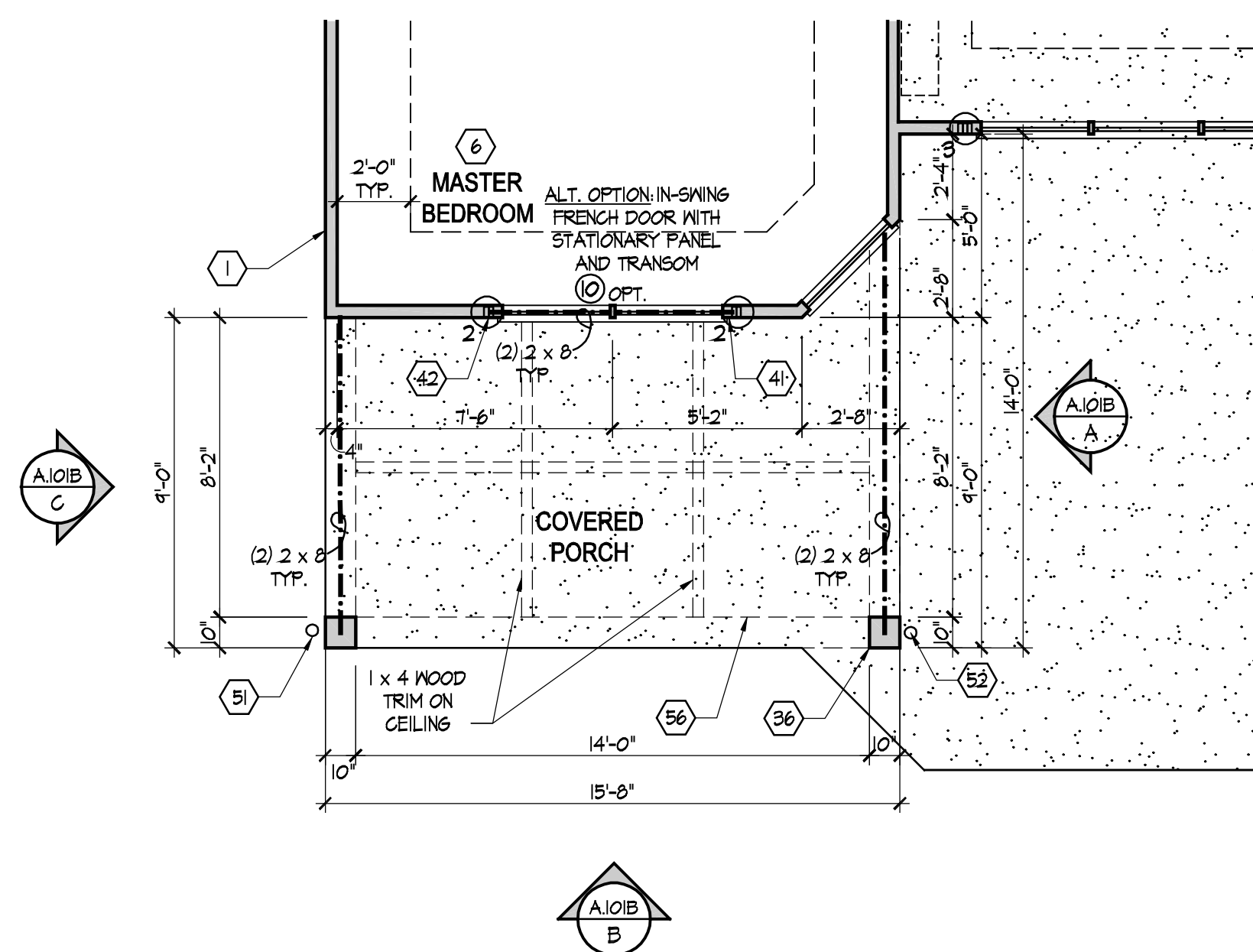
SEE SHEET A.102 FOR ROOF PLAN CODED NOTES AND BASE ROOF PLAN.



**Partial Electrical Plan**

Scale: 1/4" = 1'-0"

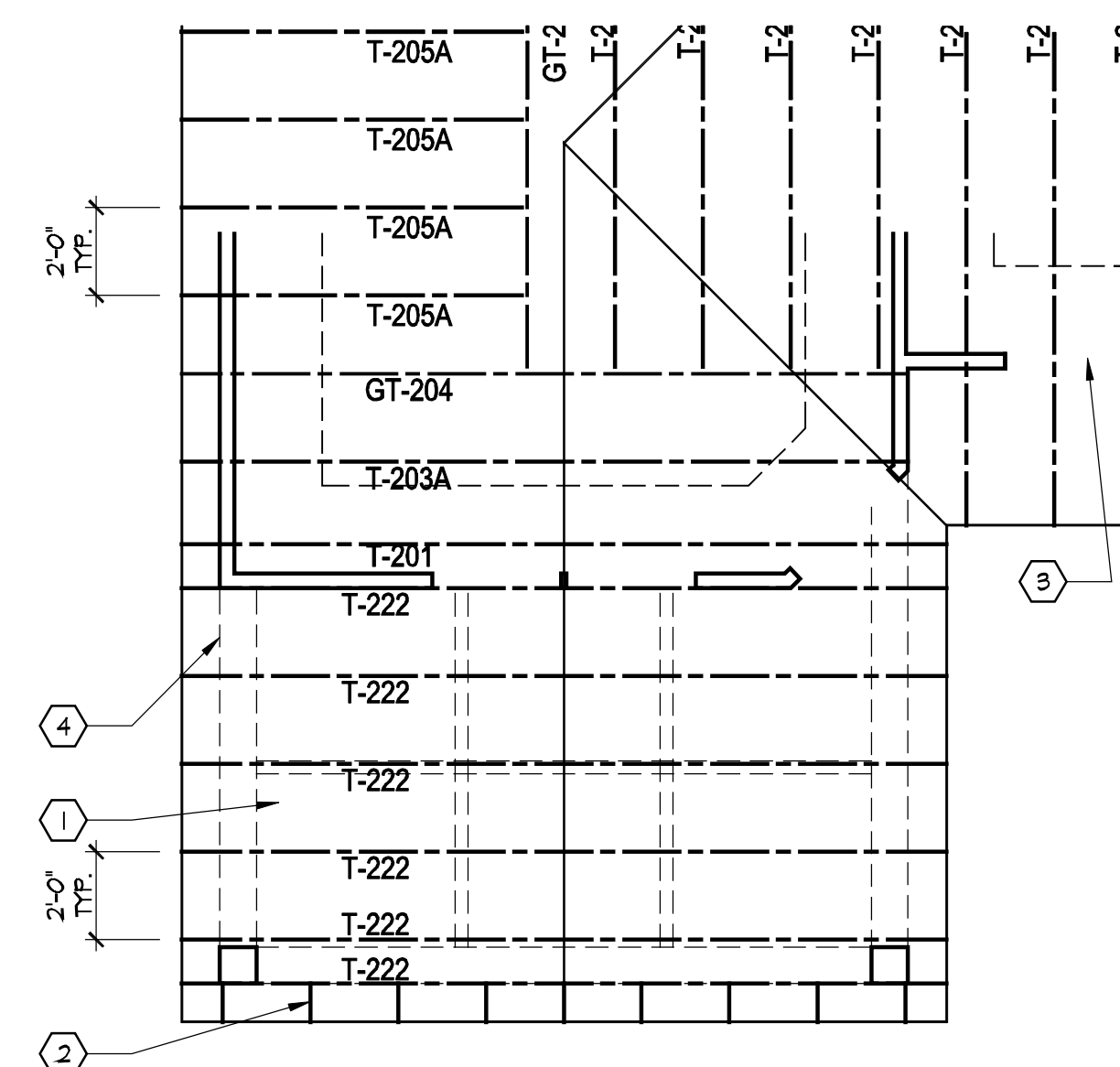
SEE SHEET E.100 FOR ELECTRICAL PLAN LEGEND AND BASE ELECTRICAL PLAN.



**Partial Floor Plan**

Scale: 1/4" = 1'-0"

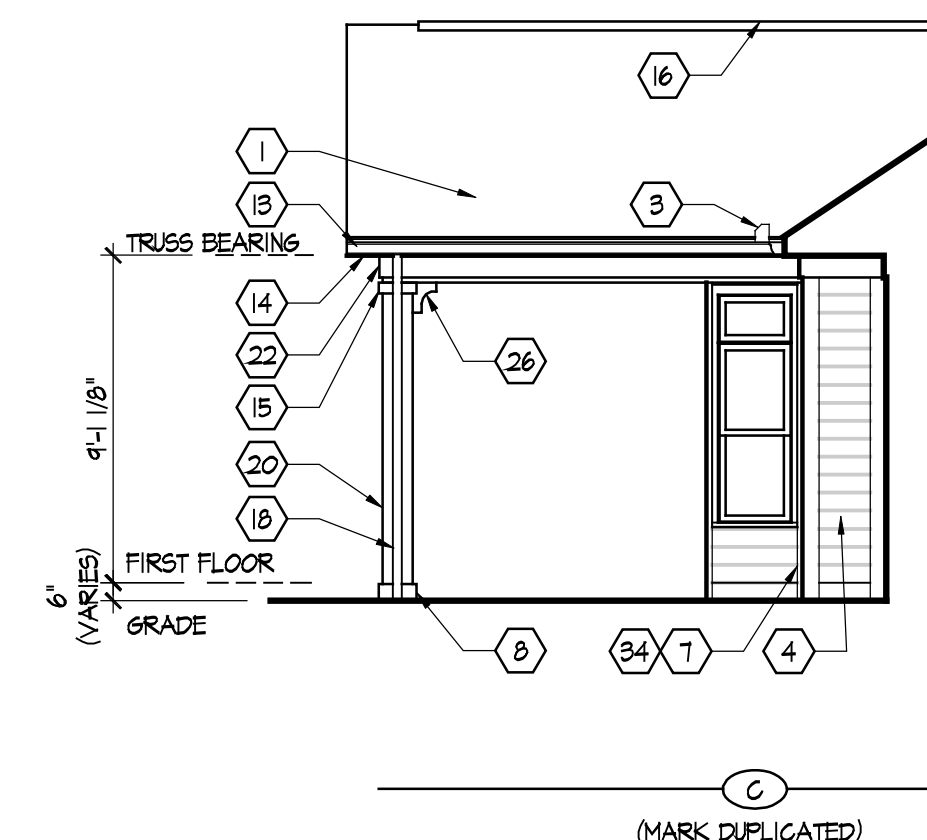
SEE SHEET A.101 FOR PLAN CODED NOTES AND BASE FLOOR PLAN AND S.103, S.104 FOR SHEAR WALL INFO.



**Partial Roof Framing Plan**

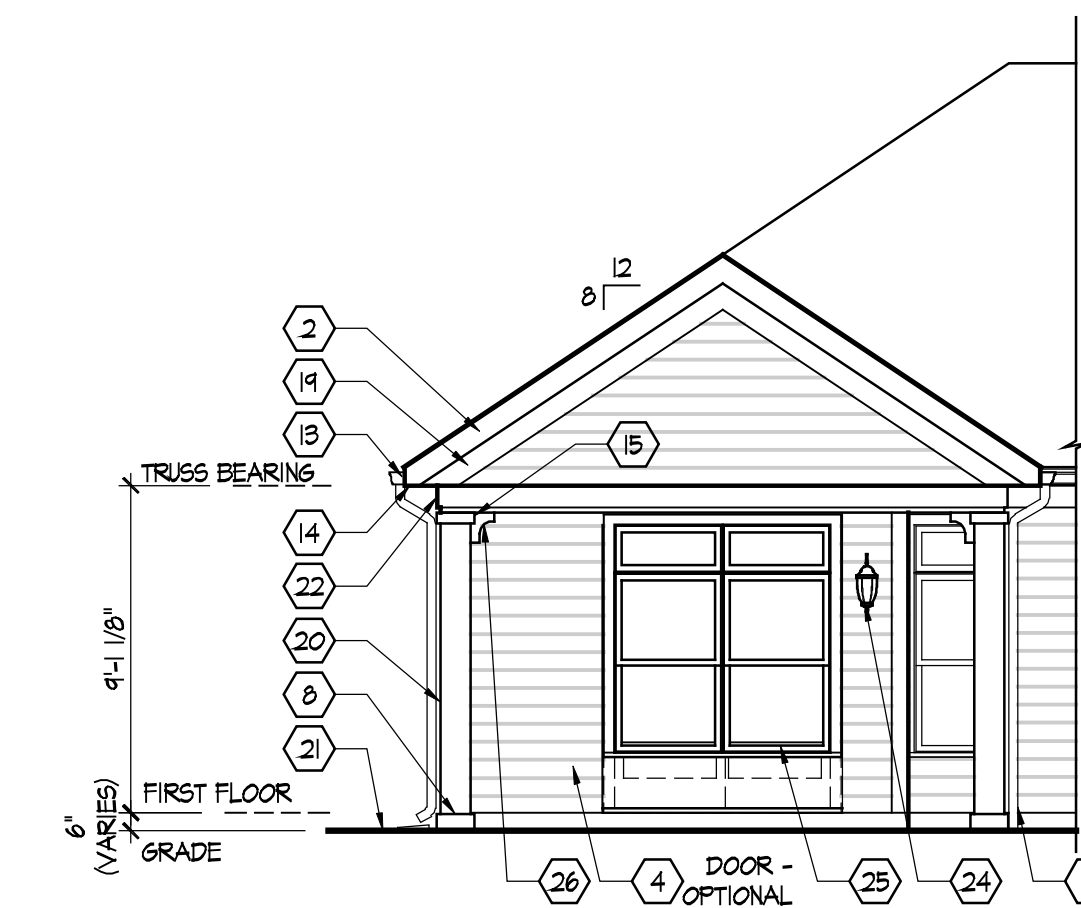
Scale: 1/4" = 1'-0"

SEE SHEET S.101 FOR ROOF FRAMING PLAN CODED NOTES AND BASE ROOF FRAMING PLAN & S.102 FOR ROOF TRUSS PROFILES.



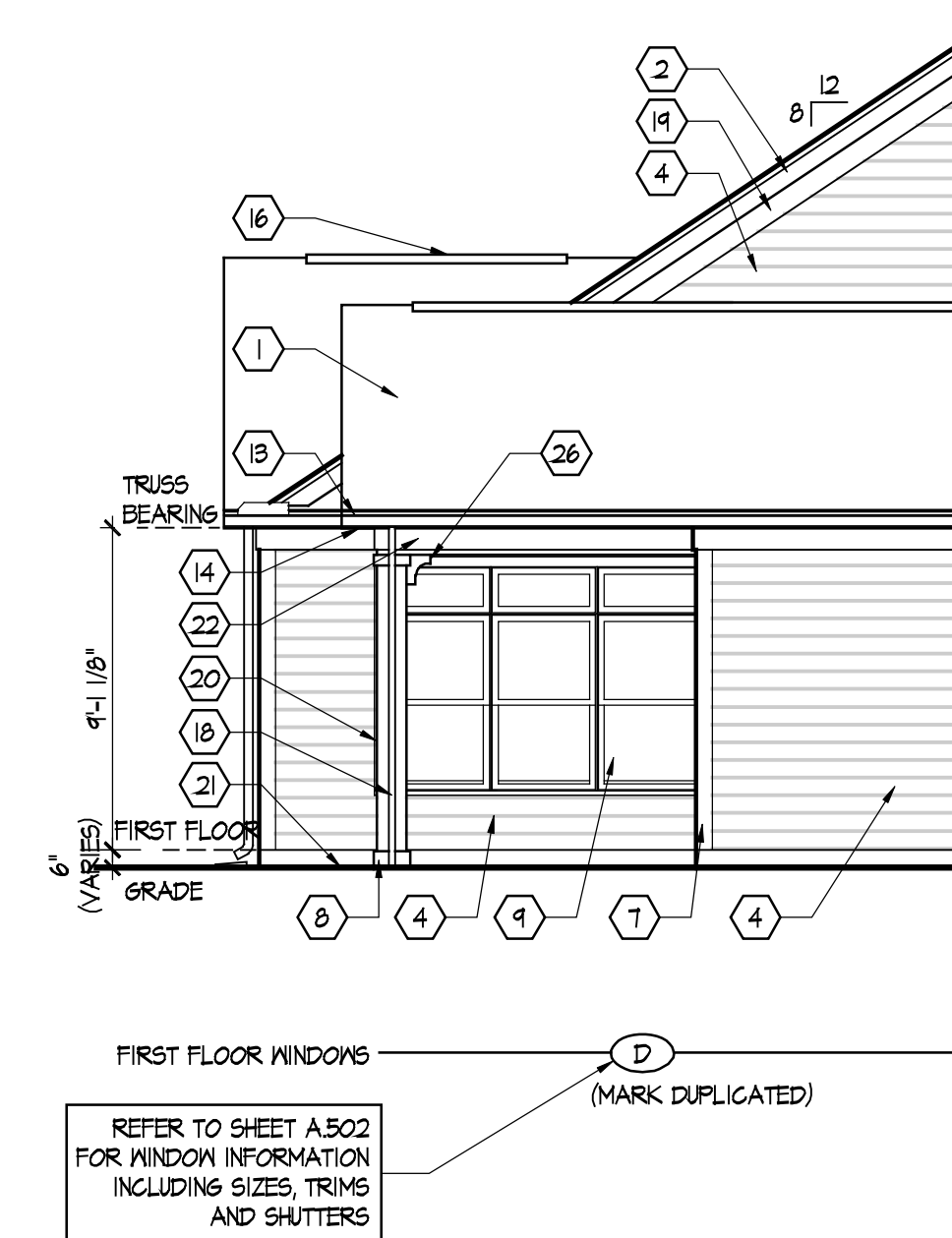
**A Elevation**

Scale: 3/16" = 1'-0"



**B Partial Elevation**

Scale: 3/16" = 1'-0"



**C Partial Elevation**

Scale: 3/16" = 1'-0"

SEE SHEET A.201 FOR ELEVATION CODED NOTES AND BASE ELEVATIONS.



**DEAN A. WENZ**  
ARCHITECTS

2463 E. MAIN STREET  
BEXLEY, OHIO 43209  
(614) 239-6868  
FAX (614) 239-9868

**Epcon Communities**  
Villas at Park Place  
By Park Place West Chester, LLC

PROPRIETARY RIGHTS NOTICE  
COPYRIGHT 2007 EPCON COMMUNITIES FRANCHISING, INC.  
ALL RIGHTS ARE RESERVED IN THIS INFORMATION AND ALL RELATED ILLUSTRATIONS, PLANS, BLUEPRINTS, SKETCHES, DRAWINGS OR ANY OTHER TANGIBLE EXPRESSIONS THEREOF, WHICH ARE THE PROPERTY OF EPCON COMMUNITIES FRANCHISING, INC., 500 STONEHENGE PARKWAY, DUBLIN, OHIO 43017, TELEPHONE (614) 852-3327. NO ONE MAY BUILD, LICENSE, TRANSFER, REPRODUCE OR DUPLICATE THIS WORK IN ANY WAY WITHOUT THE WRITTEN AUTHORIZATION OF EPCON COMMUNITIES FRANCHISING, INC.

THESE DRAWINGS SHALL BE USED IN CONFORMANCE WITH ALL LOCAL BUILDING, MECHANICAL, PLUMBING AND ELECTRICAL CODES AND SHALL MEET THE REQUIREMENTS OF THE HEALTH DEPARTMENT, FIRE MARSHALL, AMERICANS WITH DISABILITIES ACT ACCESSIBILITY GUIDELINES (ADAAG), THE FAIR HOUSING ACT ACCESSIBILITY GUIDELINES (FHAG), AND SHALL BE CONSTRUCTED IN CONFORMANCE WITH STATE AND LOCAL ENERGY REQUIREMENTS.

Prototype Disk No.	Interim Revision	Page	Revisions Date
			3/1/10

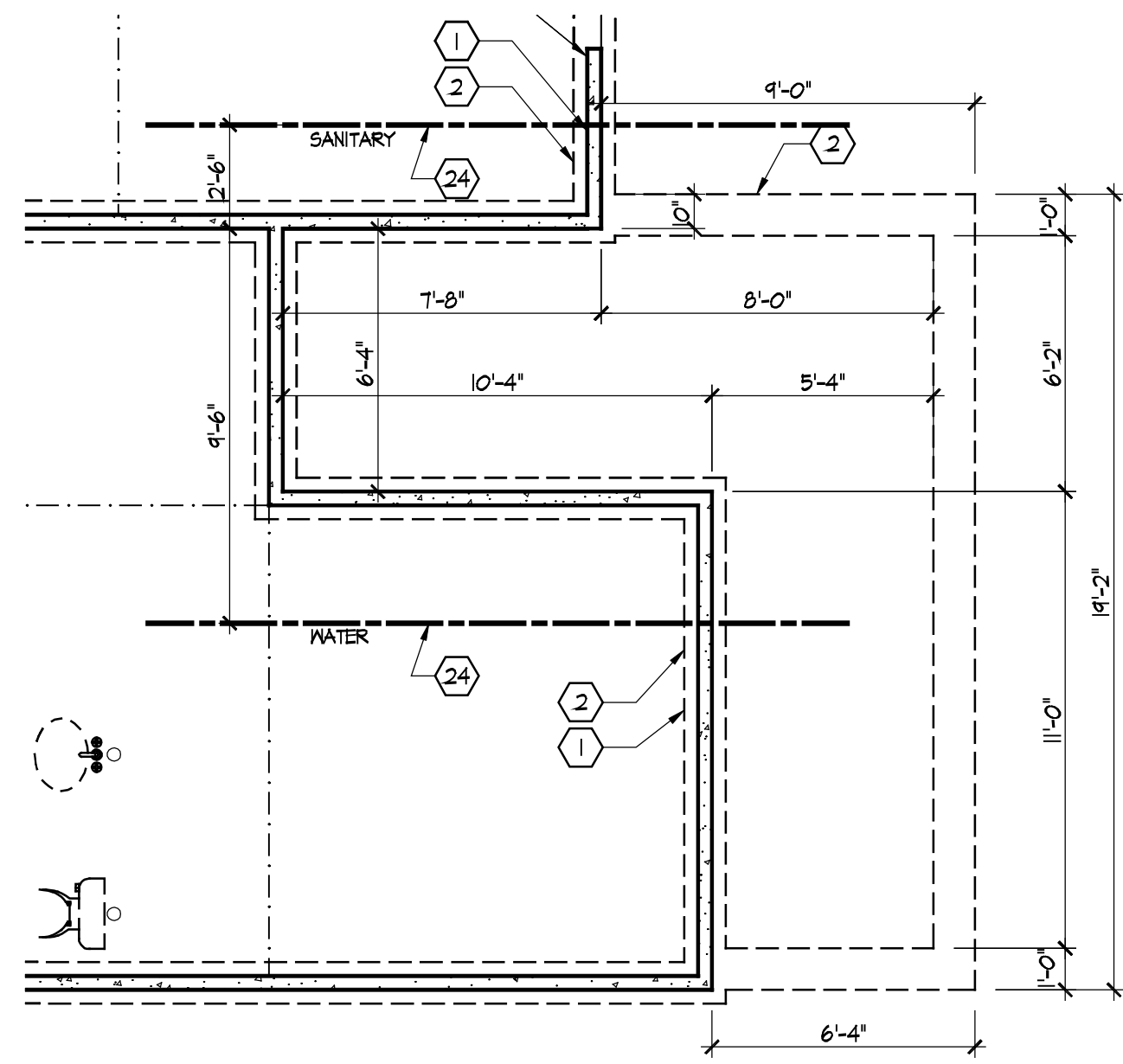
Architect Project Number  
2010-005

Community Dates & Revisions	
Date Originated	1 FEB 2015
Bid	
Permit	
Construction	
Revisions	
△	△
△	△
△	△

Drawing Title  
**Covered Porch**  
Option

Architectural Style  
European Country

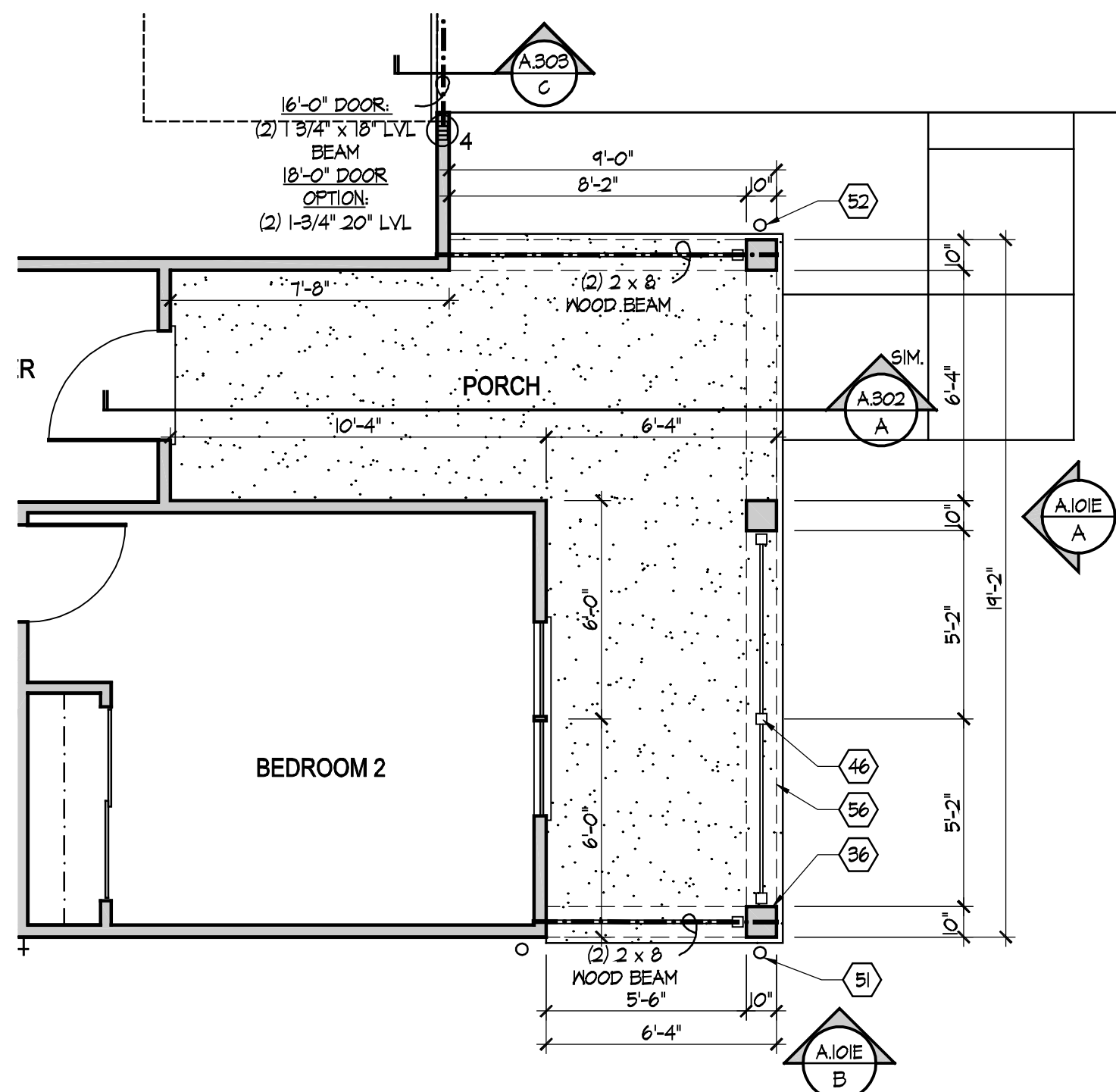
Sheet Number  
**A.101B**  
D2+M 2010



**Partial Foundation Plan**

Scale: 1/4" = 1'-0"

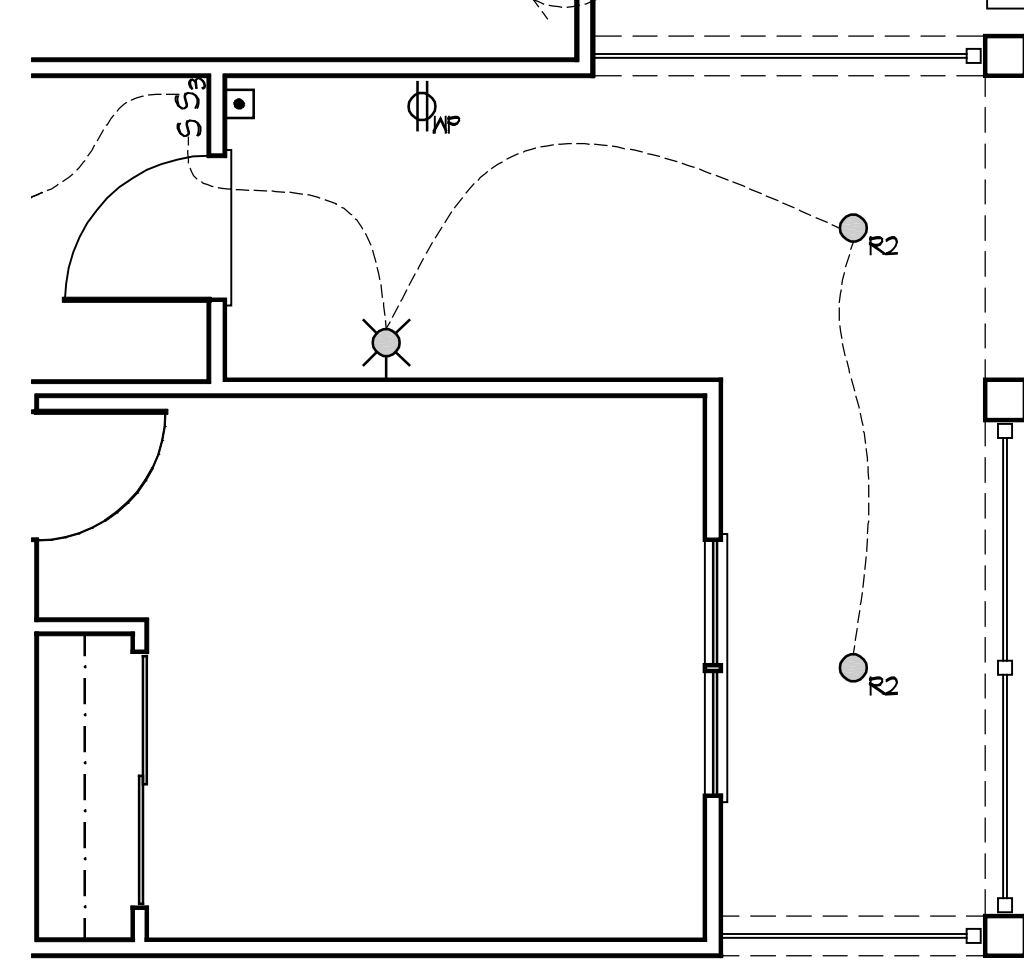
SEE SHEET A.100 FOR FOUNDATION CODED NOTES AND BASE FOUNDATION PLAN.



**Partial Floor Plan**

Scale: 1/4" = 1'-0"

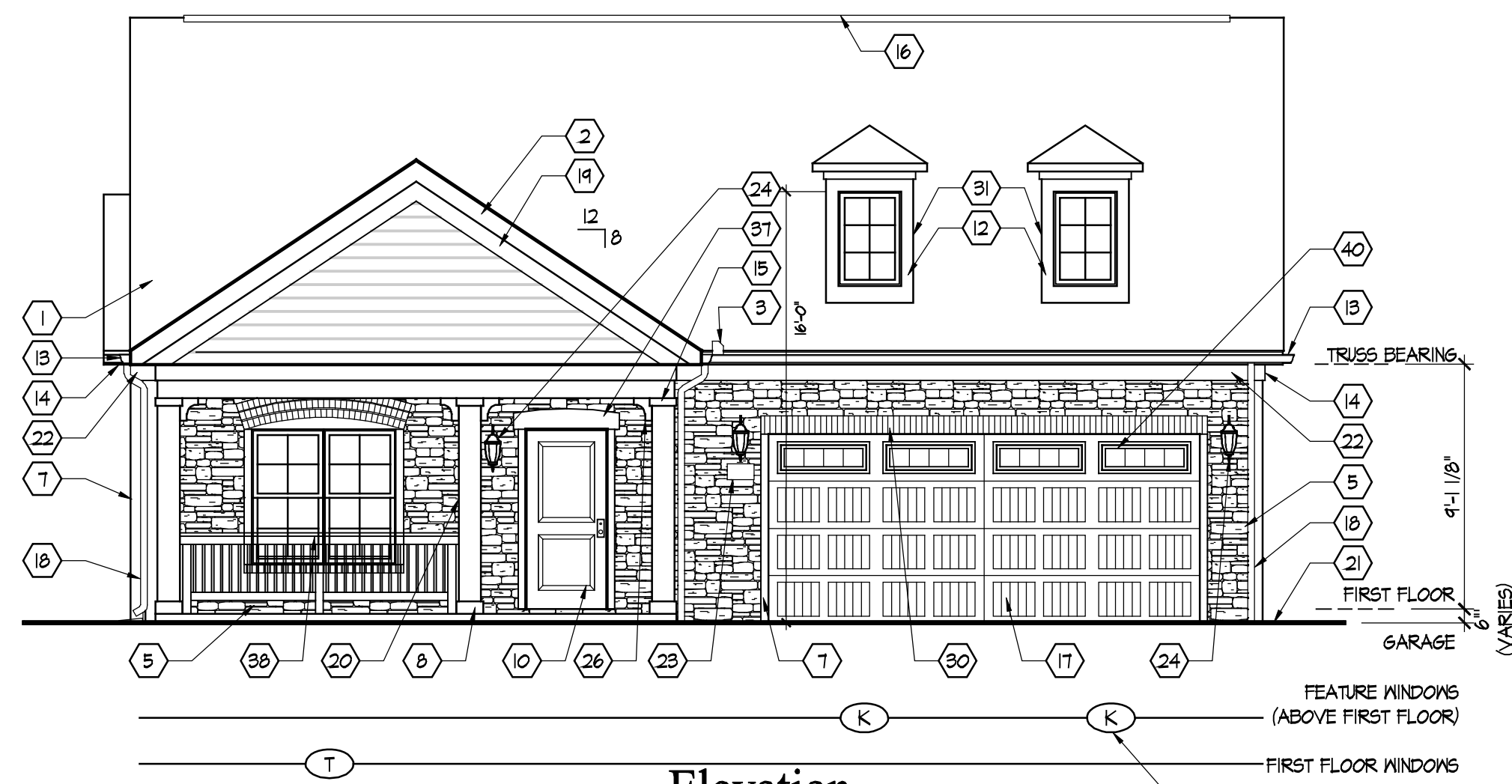
SEE SHEET A.101 FOR PLAN CODED NOTES AND BASE FLOOR PLAN AND S.103, S.104 FOR SHEAR WALL INFO.



**Partial Electrical Plan**

Scale: 1/4" = 1'-0"

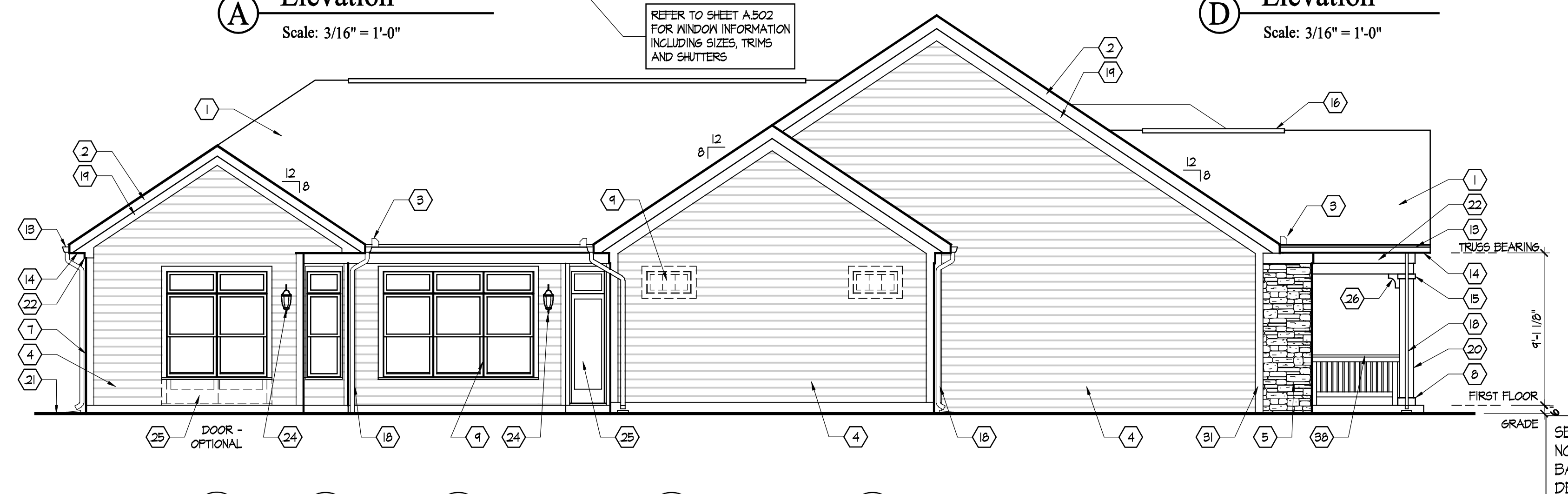
SEE SHEET E.100 FOR ELECTRICAL PLAN LEGEND AND BASE ELECTRICAL PLAN.



**A Elevation**

Scale: 3/16" = 1'-0"

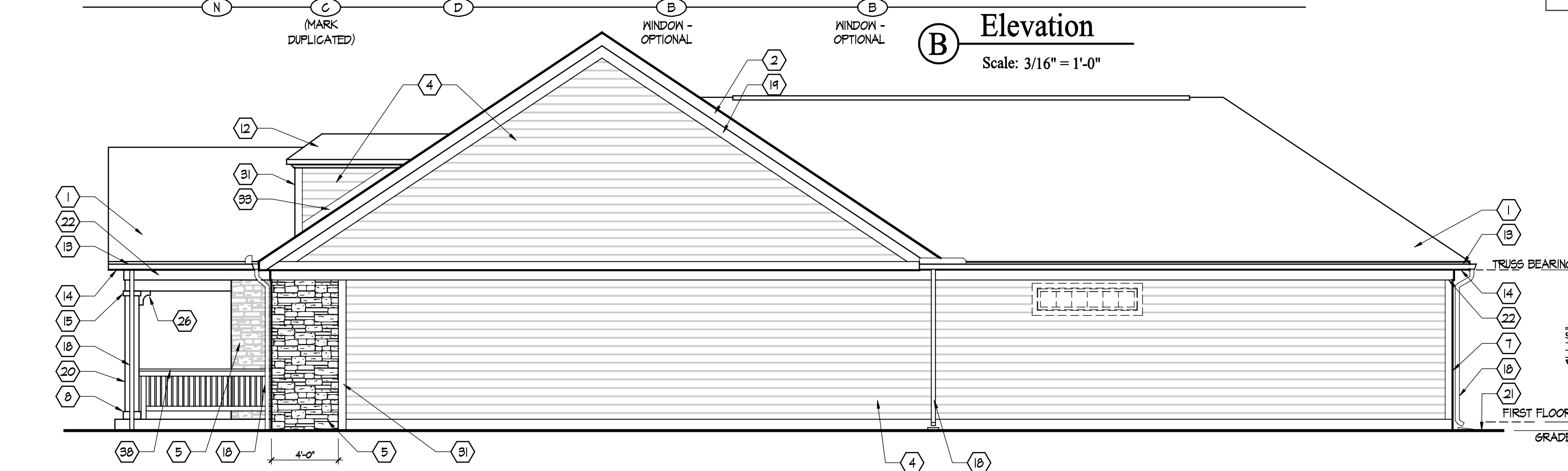
REFER TO SHEET A.502 FOR WINDOW INFORMATION INCLUDING SIZES, TRIMS AND SHUTTERS



**B Elevation**

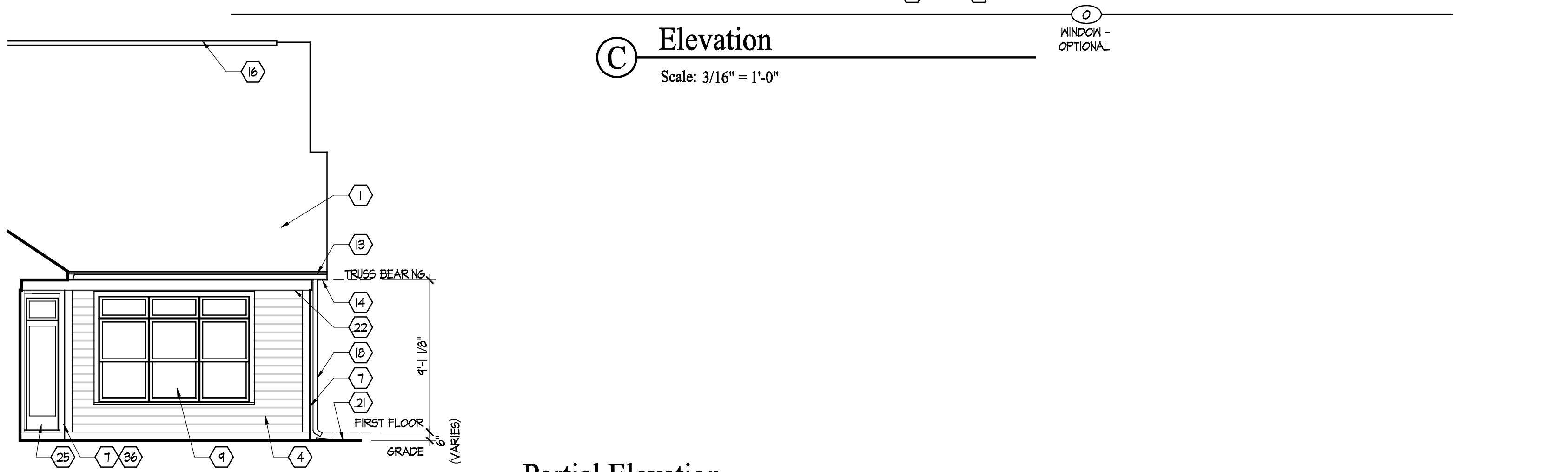
Scale: 3/16" = 1'-0"

SEE SHEET A.201 FOR ELEVATION CODED NOTES AND BASE ELEVATIONS. SEE BASE FLOOR PLAN FOR ELEVATION DESIGNATION MARKERS.



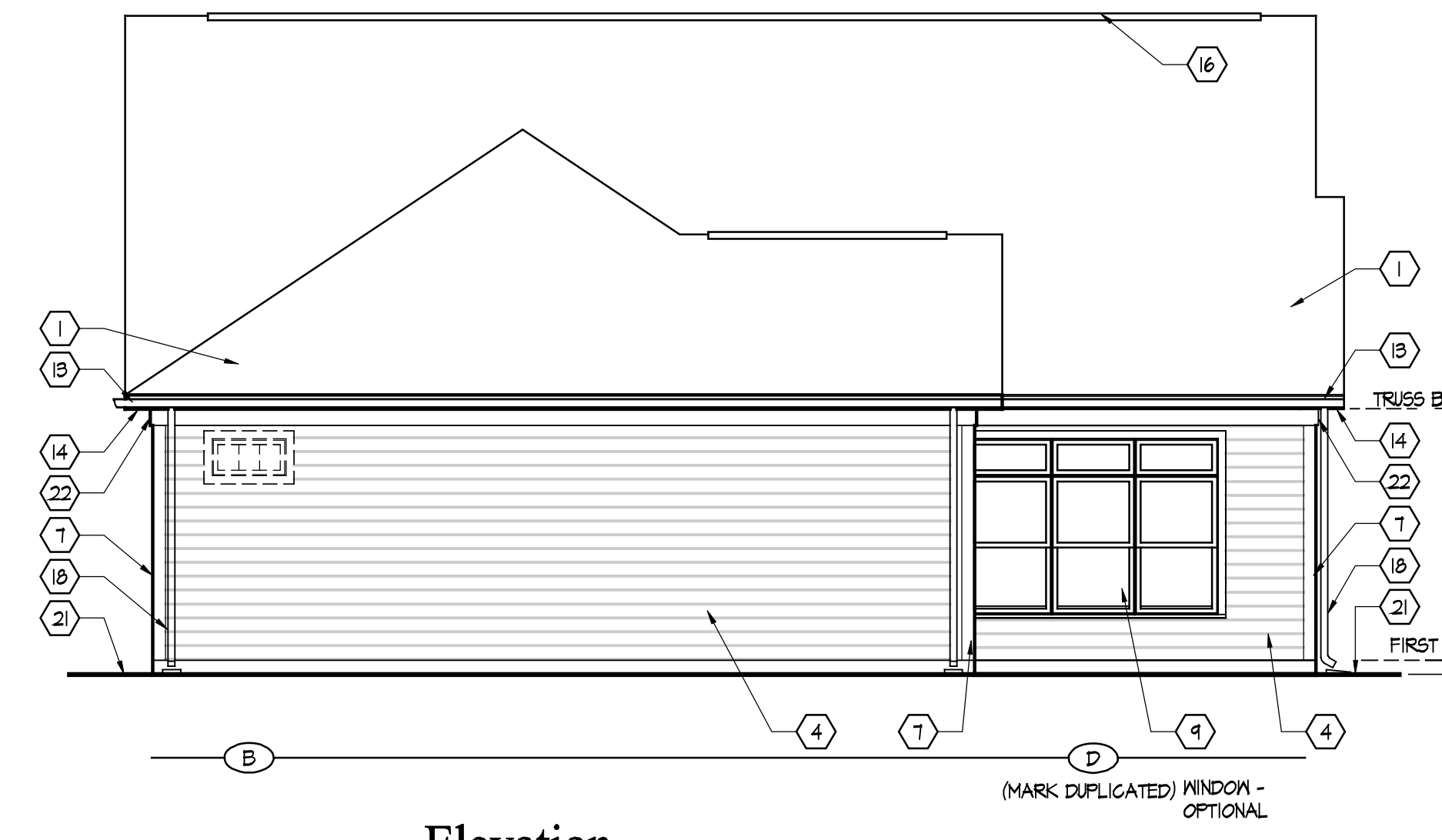
**C Elevation**

Scale: 3/16" = 1'-0"



**E Partial Elevation**

Scale: 3/16" = 1'-0"



**D Elevation**

Scale: 3/16" = 1'-0"

**DEAN A. WENZ**  
ARCHITECTS

2463 E. MAIN STREET  
BEXLEY, OHIO 43209  
(614) 239-6868  
FAX (614) 239-9868

**Epcon Communities**  
Villas at Park Place  
By Park Place West Chester, LLC

PROPRIETARY RIGHTS NOTICE  
COPYRIGHT 2007 EPCON COMMUNITIES FRANCHISING, INC.  
ALL RIGHTS ARE RESERVED IN THIS INFORMATION AND ALL RELATED ILLUSTRATIONS, PLANS, BLUEPRINTS, SKETCHES, DRAWINGS OR ANY OTHER TANGIBLE EXPRESSIONS THEREOF, WHICH ARE THE PROPERTY OF EPCON COMMUNITIES FRANCHISING, INC., 500 STONEHENGE PARKWAY, DUBLIN, OHIO 43017, TELEPHONE (614) 852-3327. NO ONE MAY BUILD, LICENSE, TRANSFER, REPRODUCE OR DUPLICATE THIS WORK IN ANY WAY WITHOUT THE WRITTEN AUTHORIZATION OF EPCON COMMUNITIES FRANCHISING, INC.  
THESE DRAWINGS SHALL BE USED IN CONFORMANCE WITH ALL LOCAL BUILDING, MECHANICAL, PLUMBING AND ELECTRICAL CODES AND SHALL MEET THE REQUIREMENTS OF THE HEALTH DEPARTMENT, FIRE MARSHAL, AMERICANS WITH DISABILITIES ACT ACCESSIBILITY GUIDELINES (ADAAG), THE FAIR HOUSING ACT ACCESSIBILITY GUIDELINES (FHAG), AND SHALL BE CONSTRUCTED IN CONFORMANCE WITH STATE AND LOCAL ENERGY REQUIREMENTS.

Prototype Disk No.	Interim Revision	Page Revisions	Date
			3/1/10

Architect Project Number  
2010-005

Community Dates & Revisions	
Date Originated	1 FEB 2015
Bid	
Permit	
Construction	
Revisions	
▲	▲
▲	▲
▲	▲

Drawing Title  
**Alternate Porch Plans  
And Elevations**

Architectural Style  
European Country  
Sheet Number  
**A.101E**  
D2+M 2010

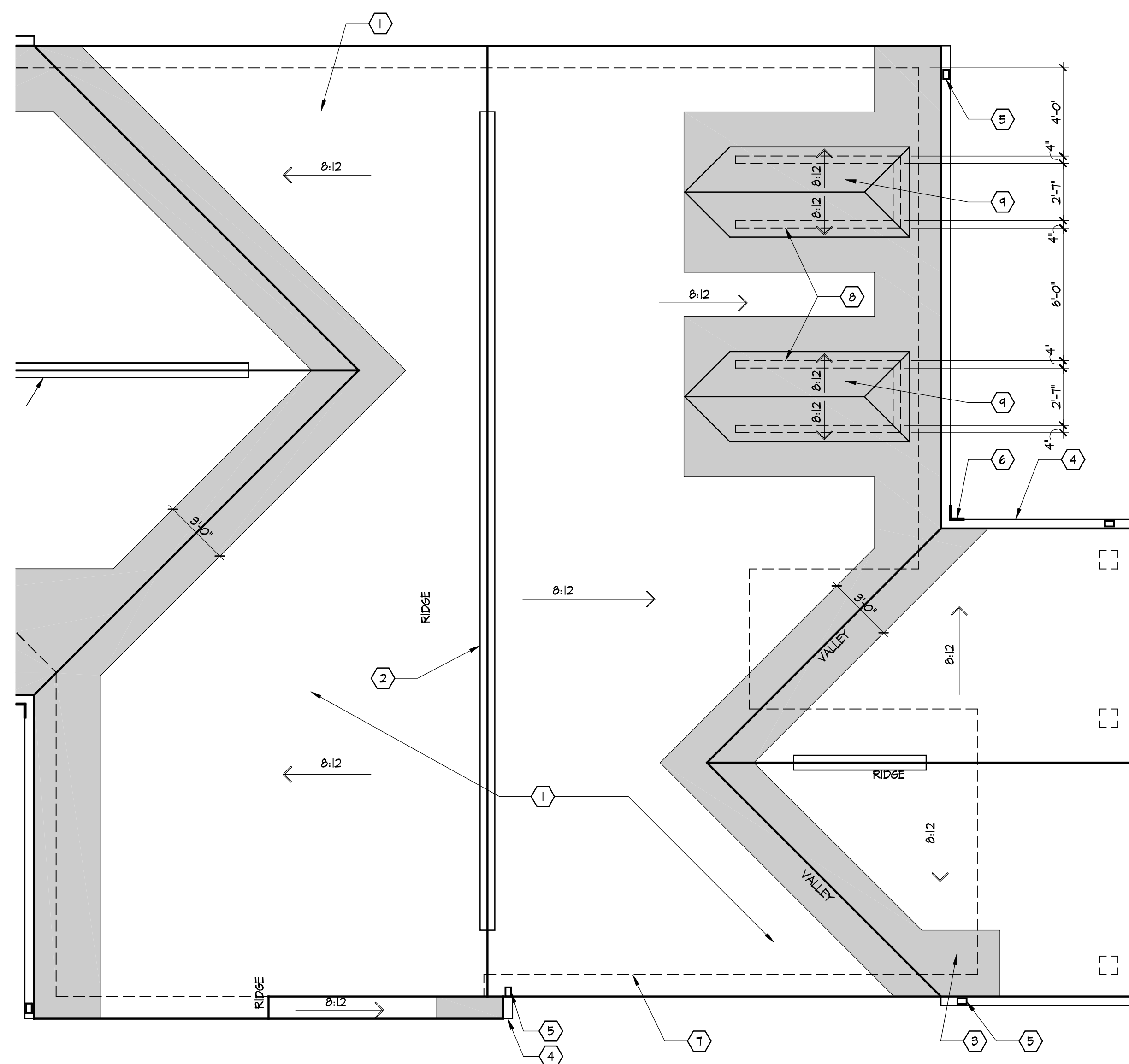


Where Life Comes Together™

DEAN A. WENZ  
ARCHITECTS

2463 E. MAIN STREET  
BEXLEY, OHIO 43209  
(614) 239-6868  
FAX (614) 239-9868

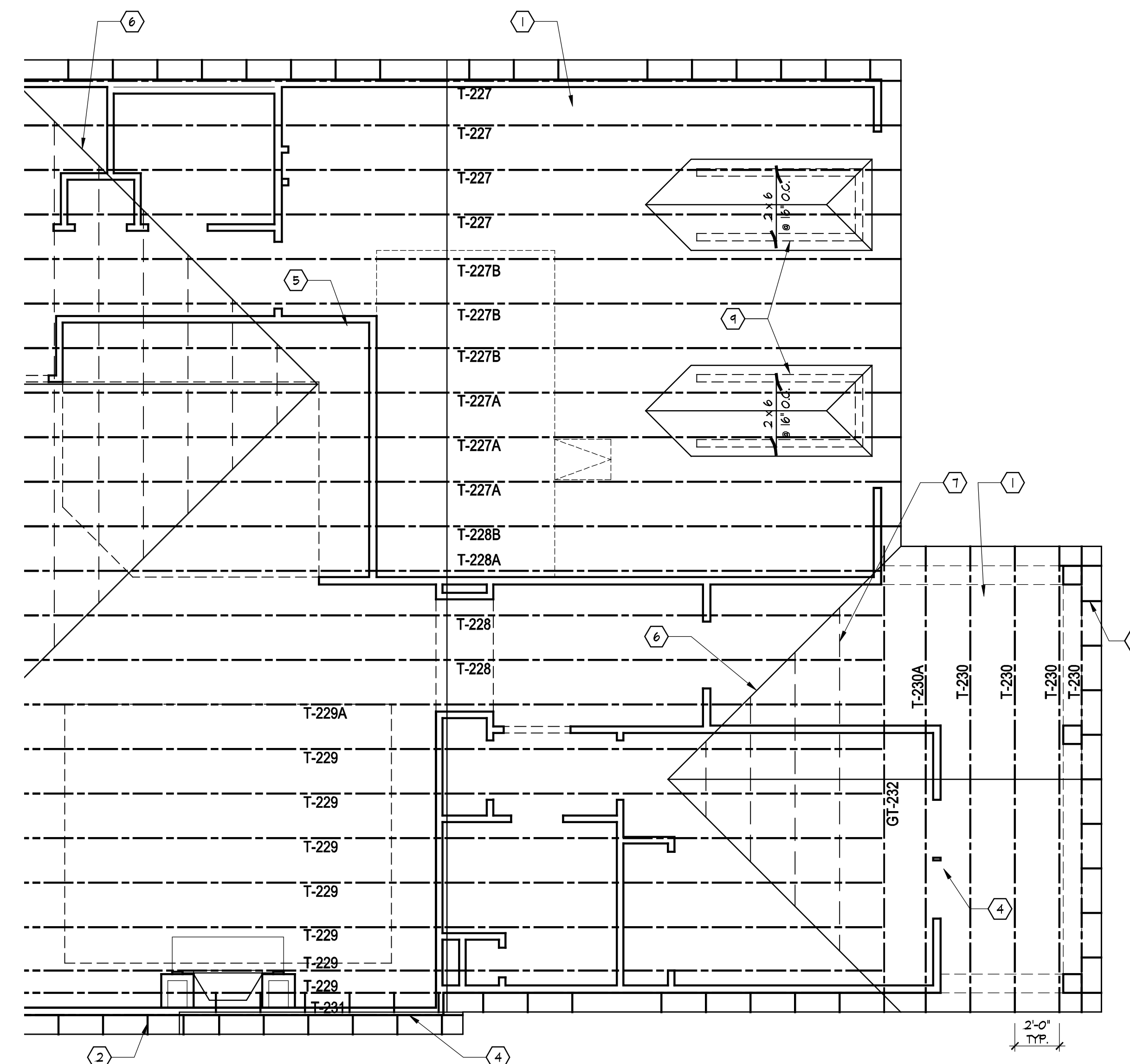
Epcon Communities  
Villas at Park Place  
By Park Place West Chester, LLC



Alternate Roof Plan

Scale: 1/4" = 1'-0"

SEE SHEET A.102 FOR ROOF PLAN  
CODED NOTES AND BASE ROOF  
PLAN.



Alternate Roof Framing Plan

Scale: 1/4" = 1'-0"

SEE SHEET S.101 FOR  
ROOF FRAMING PLAN  
CODED NOTES AND  
BASE ROOF FRAMING  
PLAN & S.102 FOR  
ROOF TRUSS PROFILES.

PROPRIETARY RIGHTS NOTICE  
COPYRIGHT 2007 EPCON COMMUNITIES FRANCHISING, INC.  
ALL RIGHTS ARE RESERVED IN THIS INFORMATION AND ALL  
RELATED ILLUSTRATIONS, PLANS, BLUEPRINTS, SKETCHES,  
DRAWINGS, OR ANY OTHER TANGIBLE EXPRESSIONS  
THEREOF, WHICH ARE THE PROPERTY OF EPCON  
COMMUNITIES FRANCHISING, INC., 500 STONEHENGE  
PARWAY, DUBLIN, OHIO 43017, TELEPHONE (614) 852-3327. NO  
ONE MAY BUILD, LICENSE, TRANSFER, REPRODUCE OR  
DUPLICATE THIS WORK IN ANY WAY WITHOUT THE WRITTEN  
AUTHORIZATION OF EPCON COMMUNITIES FRANCHISING, INC.

THESE DRAWINGS SHALL BE USED IN CONFORMANCE WITH ALL  
LOCAL BUILDING, MECHANICAL, PLUMBING AND ELECTRICAL  
CODES AND SHALL MEET THE REQUIREMENTS OF THE HEALTH  
DEPARTMENT, FIRE MARSHALL, AMERICANS WITH DISABILITIES  
ACT ACCESSIBILITY GUIDELINES (ADAAG), AND SHALL BE  
CONSTRUCTED IN CONFORMANCE WITH STATE AND LOCAL  
ENERGY REQUIREMENTS.

Prototype Disk No.	Interim Revision	Page Revisions Date
		3/1/10

Architect Project Number  
2010-005

Community Dates & Revisions	
Date Originated	1 FEB 2015
Bid	
Permit	
Construction	
Revisions	
△	△
△	△
△	△

Drawing Title  
Alternate Roof Plan  
And Roof Framing Plan

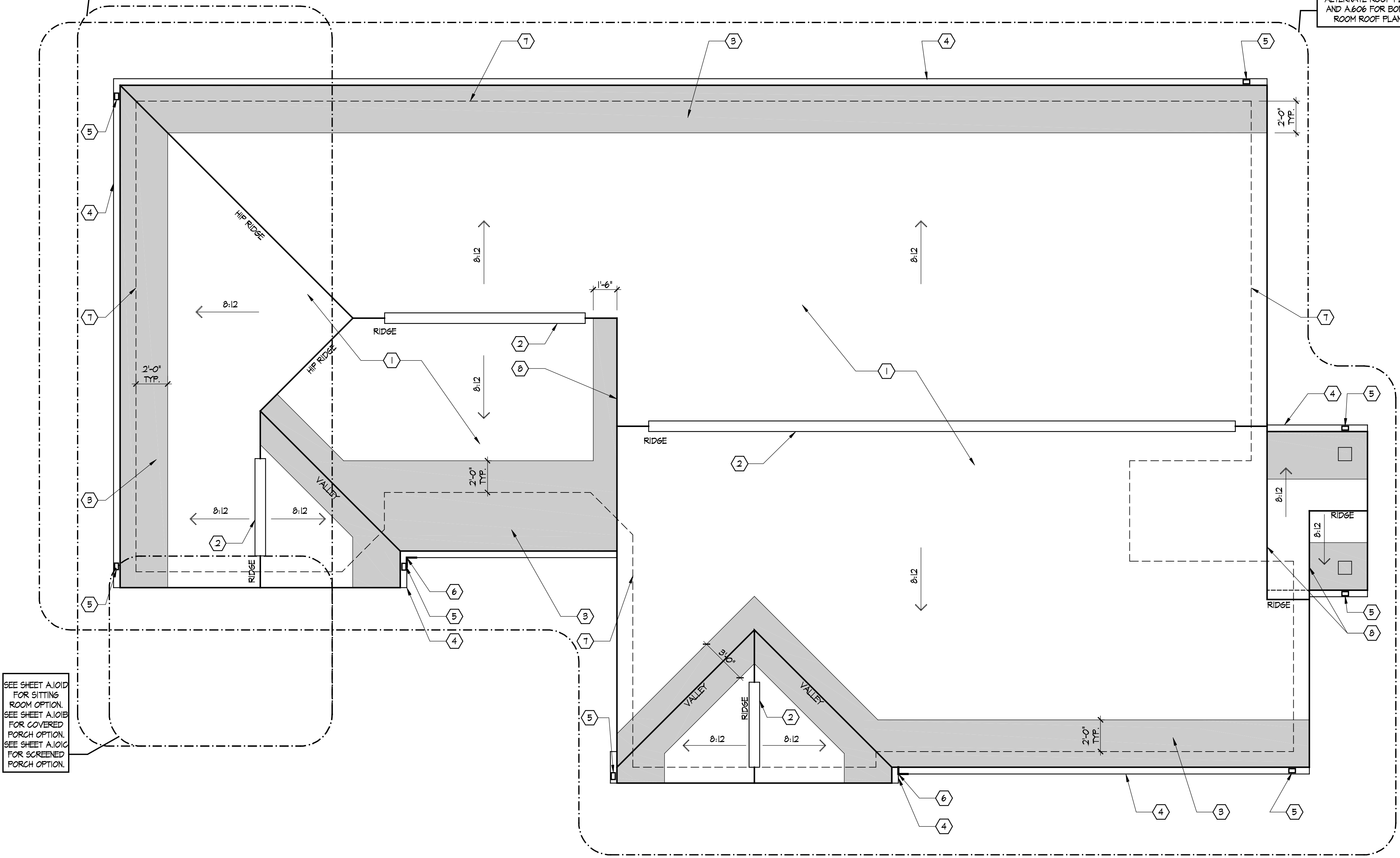
Architectural Style  
European Country

Sheet Number

A.101F  
D2+M 2010

SEE SHEET A.101G FOR EXTENDED MASTER SUITE OPTION.

SEE SHEET A.101F FOR ALTERNATE ROOF PLAN AND A.606 FOR BONUS ROOM ROOF PLAN.



SEE SHEET A.101D FOR SITTING ROOM OPTION. SEE SHEET A.101E FOR COVERED PORCH OPTION. SEE SHEET A.101C FOR SCREENED PORCH OPTION.

**CODED NOTES**  
(ROOF PLAN ONLY)  
(ALL NOTES NOT APPLICABLE TO ALL SHEETS)

1. ASPHALT SHINGLE ROOFING ON 1 LAYER OF 1/4" ROOFING FELT - TYPICAL ALL ROOF SURFACES UNLESS NOTED OTHERWISE.
2. RIDGE VENT LOCATION - AIR VENT CRV 100 (TYPICAL).
3. SHADED AREAS INDICATE LOCATIONS FOR ICEGUARD INSTALLED BELOW SHINGLE ROOFING.
4. 5' ALUMINUM OGEE GUTTER - TYPICAL.
5. 3' x 4' DOWNSPOUT LOCATION - ALL DOWNSPOUTS TO TIE INTO COLLECTOR DRAIN OR DAYLIGHT SYSTEM.
6. FLOW DIVERTER - TYPICAL AT ALL VALLEY TERMINATIONS.
7. INDICATES LINE OF PERIMETER WALL BELOW - TYPICAL.
8. PROVIDE STEP AND COUNTER FLASHING ON SIDE WALL MINIMUM 16" HIGH UP UNDER SIDING.
9. OPTIONAL FAUX DORMER - SEE DETAIL A ON SHEET A.304.
10. BONUS ROOM DORMER - SEE SHEET A.607 AND A.608 FOR MORE INFORMATION.

**Roof Plan**

Scale: 1/4" = 1'-0"



**DEAN A. WENZ**  
ARCHITECTS

2463 E. MAIN STREET  
BEXLEY, OHIO 43209  
(614) 239-6868  
FAX (614) 239-9868

**Epcon Communities**  
**Villas at Park Place**  
 By Park Place West Chester, LLC

PROPRIETARY RIGHTS NOTICE  
COPYRIGHT 2007 EPCON COMMUNITIES FRANCHISING, INC.  
ALL RIGHTS ARE RESERVED IN THIS INFORMATION AND ALL RELATED ILLUSTRATIONS, PLANS, BLUEPRINTS, SKETCHES, DRAWINGS OR ANY OTHER TANGIBLE EXPRESSIONS THEREOF, WHICH ARE THE PROPERTY OF EPCON COMMUNITIES FRANCHISING, INC., 500 STONEHENGE PARKWAY, DUBLIN, OHIO 43017, TELEPHONE (614) 882-3327. NO ONE MAY BUILD, LICENSE, TRANSFER, REPRODUCE OR DUPLICATE THIS WORK IN ANY WAY WITHOUT THE WRITTEN AUTHORIZATION OF EPCON COMMUNITIES FRANCHISING, INC.  
THESE DRAWINGS SHALL BE USED IN CONFORMANCE WITH ALL LOCAL BUILDING, MECHANICAL, PLUMBING AND ELECTRICAL CODES AND SHALL MEET THE REQUIREMENTS OF THE HEALTH DEPARTMENT, FIRE MARSHALL, AMERICANS WITH DISABILITIES ACT ACCESSIBILITY GUIDELINES (ADAAG), THE FAIR HOUSING ACT ACCESSIBILITY GUIDELINES (FHAAG), AND SHALL BE CONSTRUCTED IN CONFORMANCE WITH STATE AND LOCAL ENERGY REQUIREMENTS.

Prototype Disk No.	Interim Revision	Page	Revisions Date
			8/1/10

Architect Project Number  
2010-005

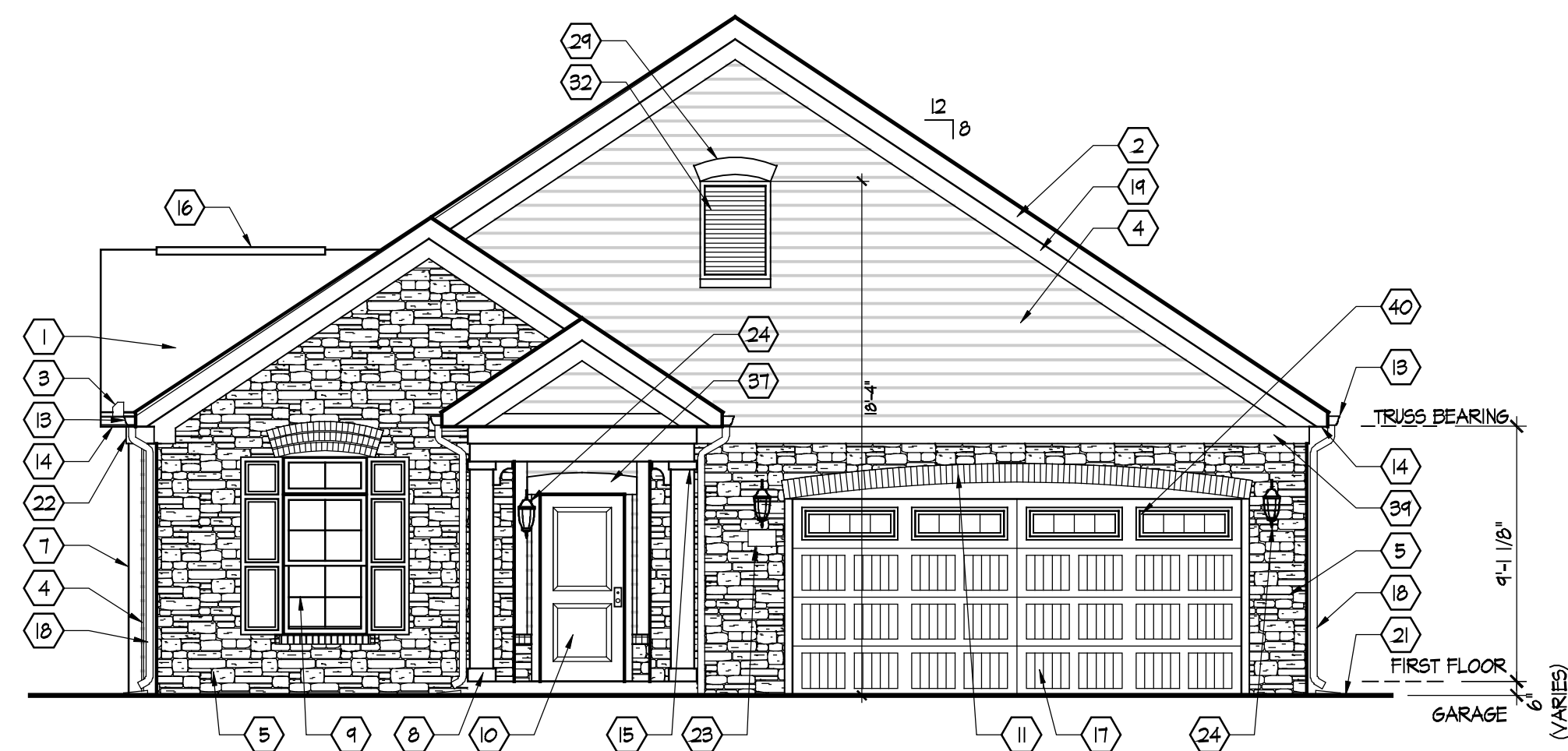
Community Dates & Revisions

Date Originated	1 FEB 2015
Bid	
Permit	
Construction	
Revisions	
△	△
△	△
△	△

Drawing Title  
**Roof Plan**

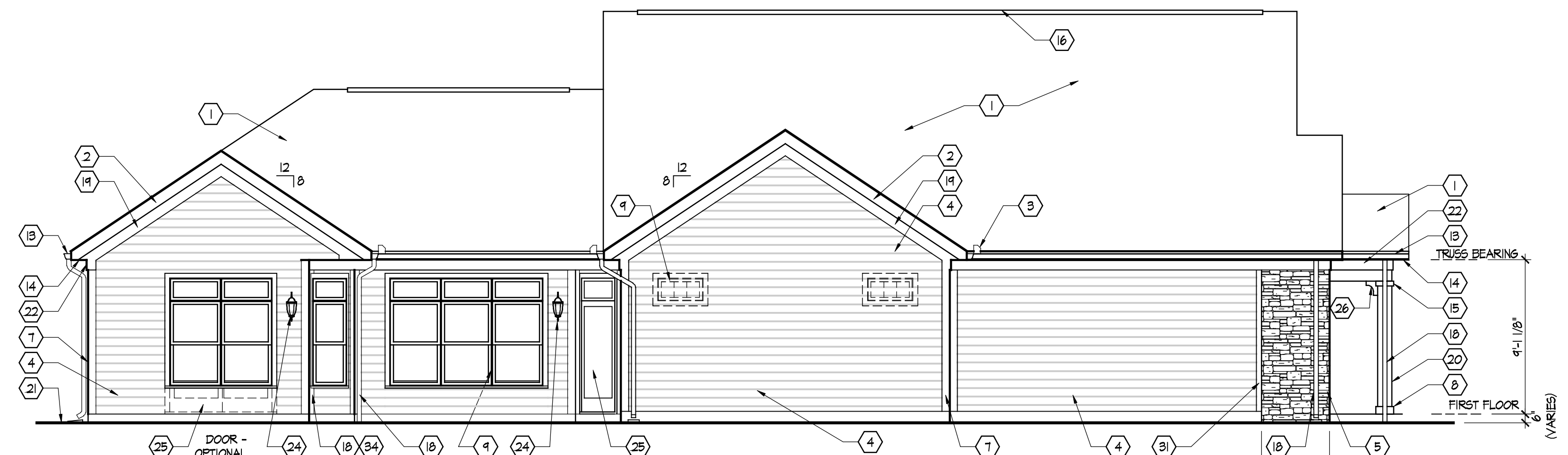
Architectural Style  
European Country

Sheet Number  
**A.102**  
D2+M 2010



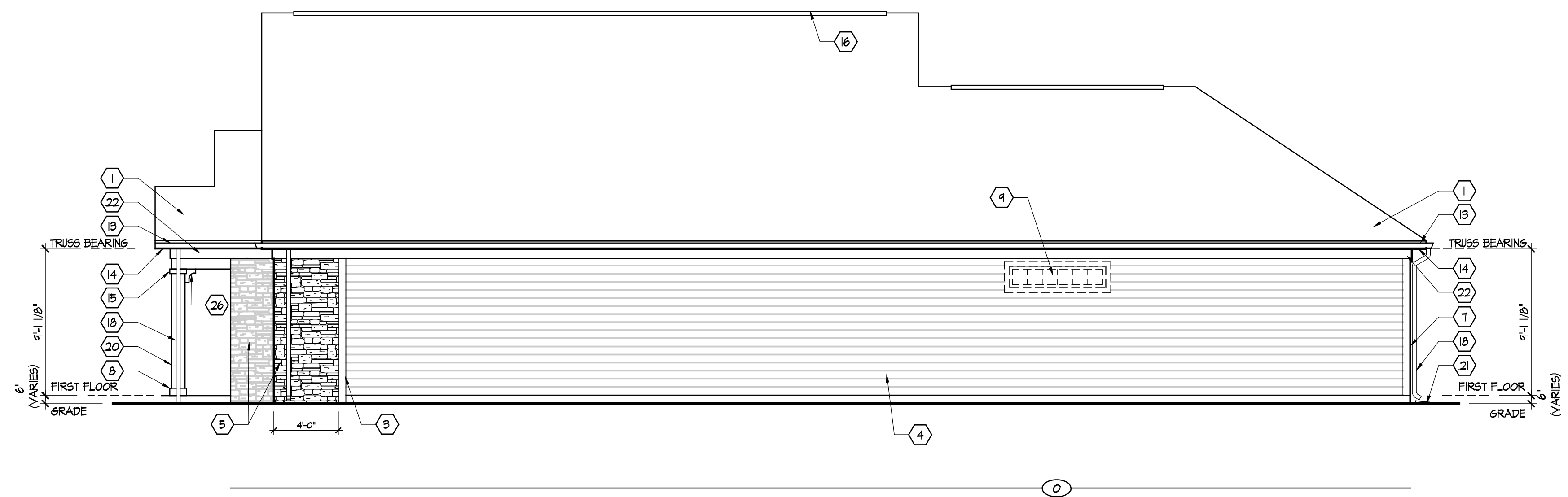
**A** Elevation  
Scale: 3/16" = 1'-0"

REFER TO SHEET A502 FOR WINDOW INFORMATION INCLUDING SIZES, TRIMS AND SHUTTERS

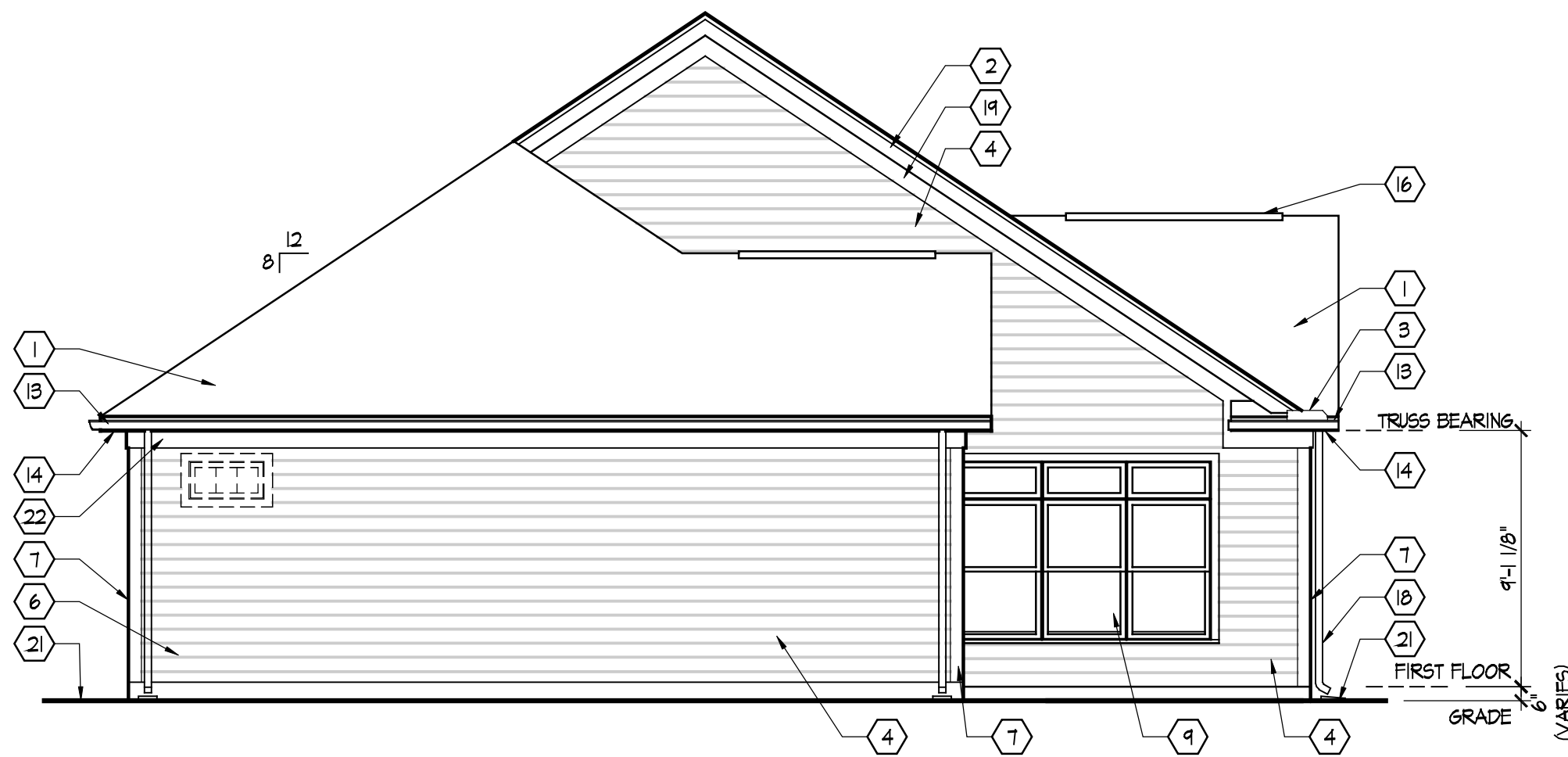


**B** Elevation  
Scale: 3/16" = 1'-0"

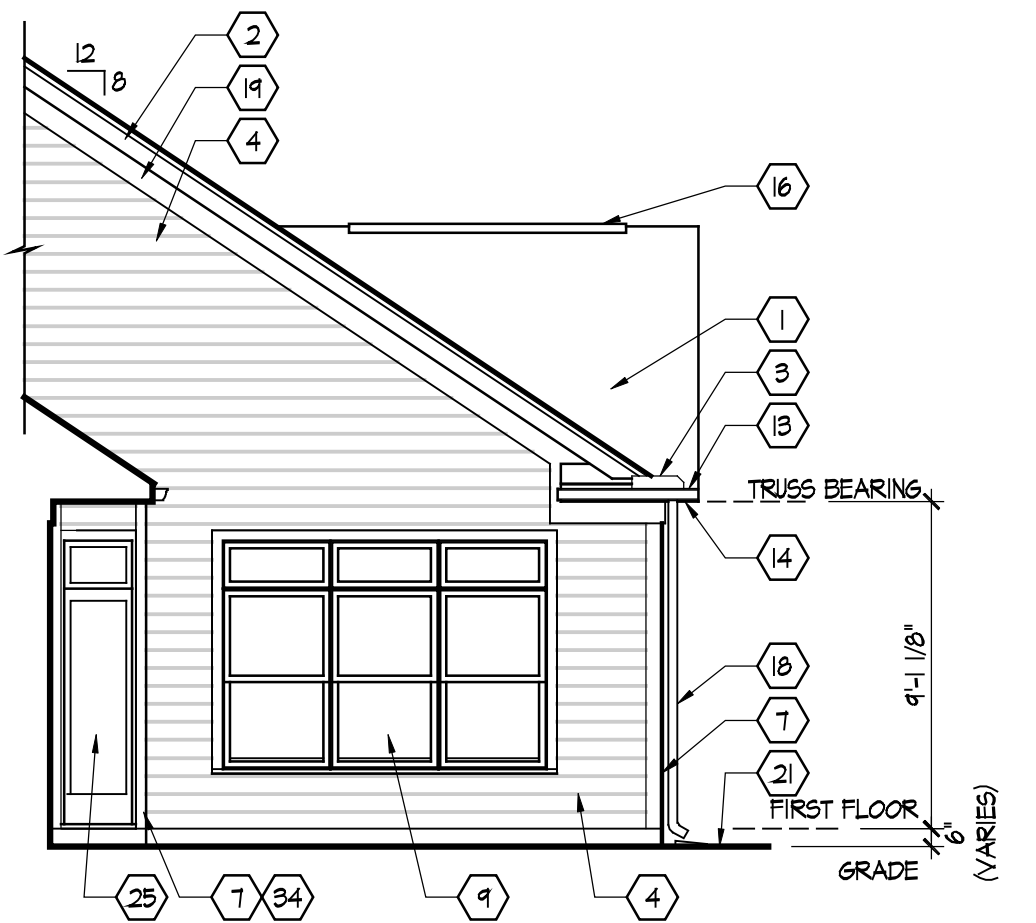
REFER TO SHEET A502 FOR WINDOW INFORMATION INCLUDING SIZES, TRIMS AND SHUTTERS



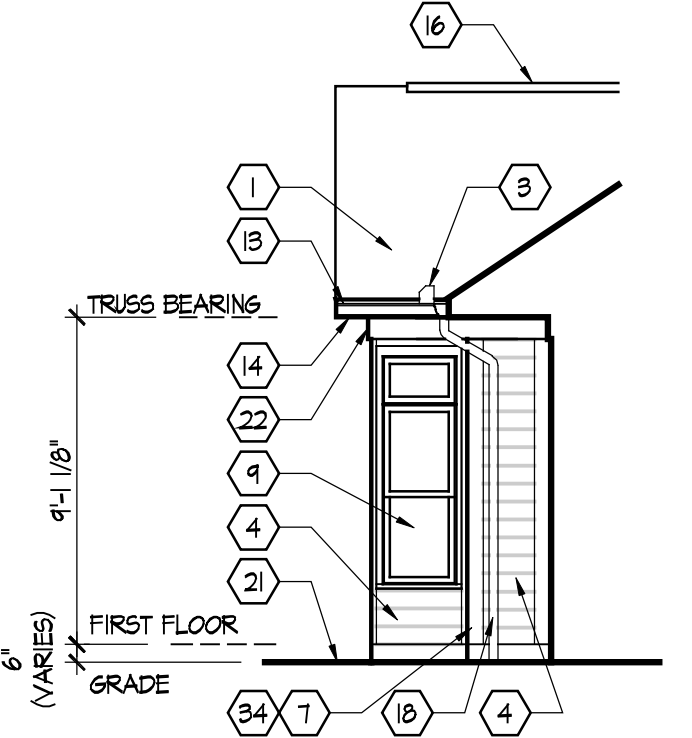
**C** Elevation  
Scale: 3/16" = 1'-0"



**D** Elevation  
Scale: 3/16" = 1'-0"



**E** Elevation  
Scale: 3/16" = 1'-0"



**F** Elevation  
Scale: 3/16" = 1'-0"

**EXTERIOR ELEVATION CODED NOTES**

- (ELEVATION SHEETS ONLY)  
(ALL NOTES NOT APPLICABLE TO ALL SHEETS)
- FIBERGLASS / ASPHALT SHINGLE ROOFING OVER 1 LAYER OF 15# FELT - TYPICAL.
  - 1 x 8 LP SMART TRIM WOOD RAKE EXTENSION - TYPICAL.
  - WATER FLOW DIVERTER - TYPICAL AT VALLEY ENDS.
  - PRE-PRIMED COMPOSITION LAP SIDING BY LOUISIANA PACIFIC (OR EQUAL).
  - CULTURED STONE VENEER. COLOR, STYLE, MORTAR COLOR, COURSING, & JOINT STYLE TO BE SELECTED BY THE OWNER.
  - NOT USED.
  - 5/4 x 6 CORNER TRIM - RIP ONE SIDE TO ACHIEVE 5 1/2" DIMENSION EACH SIDE OF CORNER.
  - 1 x 6 PAINTED COLUMN BASE TRIM WITH BEVELED TOP EDGE - TYPICAL.
  - VINYL WINDOW UNIT (TYPICAL) - SEE WINDOW DETAILS ON SHEET A502 FOR SIZE AND TRIM INFORMATION.
  - PRE-HUNG INSULATED FIBERGLASS ENTRY DOOR - PAINTED. SEE DOOR SCHEDULE FOR MORE INFORMATION.
  - BRICK ARCHED SOLDIER COURSE AT DOOR HEAD OVER 5/4 SMOOTH SAWN CEDAR TRIM.
  - DORMER LOCATION. SEE DETAIL A ON SHEET A304 FOR MORE INFORMATION.
  - 5" ALUMINUM OSGEE GUTTER ON 1 x 8 LP SMART TRIM FASCIA - TYPICAL.
  - VENTED VINYL SOFFIT (TYPICAL) - SEE TYPICAL WALL SECTIONS FOR MORE DETAILS.
  - 1 x 4 PAINTED COLUMN CAP TRIM - TYPICAL.
  - CONTINUOUS RIDGE VENT LOCATION - TYPICAL.
  - PANELED OVERHEAD GARAGE DOOR - TYPICAL. SEE SHEET A501 FOR DETAILS.
  - DOWNPOUT LOCATION WITH SPLASH BLOCK (NO SPLASH BLOCK WHERE ROUTED UNDER WALKS AND PATIO) - TYPICAL.
  - 5/4 x 8 RAKE TRIM AT FACE OF WALL IN STONE AREAS (1 x 8 IN SIDING AREAS) - TYPICAL.
  - 10" SQUARE BUILT-UP COLUMN/PILASTER - SEE DETAIL F, SHEET A304 FOR MORE INFORMATION - TYPICAL.
  - APPROXIMATE LINE OF GRADE - TO BE COORDINATED WITH BUILDER PRIOR TO START OF CONSTRUCTION - SEE WALL SECTIONS FOR ADDITIONAL INFORMATION.
  - 5/4 x 8 FRIEZE BOARD TRIM - TYPICAL.
  - ADDRESS PLAQUE - USE DOUBLE THICKNESS TRIM AS BACKING. MOUNT TOP @ 5'-5" A.F.F. ON WALL - TYPICAL.
  - EXTERIOR LIGHT FIXTURE - USE DOUBLE THICKNESS TRIM AS BACKING. MOUNT TOP @ 6'-7" A.F.F. ON WALL - TYPICAL.
  - VINYL FRENCH SLIDING DOOR UNIT. SEE DOOR SCHEDULE FOR MORE INFORMATION.
  - DECORATIVE WALL BRACKET - FYPON BKTBX8.
  - SLOPED BRICK ROYLOCK BELT COURSE.
  - 5/4 PILASTER TRIM - CUT TO FIT BETWEEN WINDOWS.
  - 5/4 X 8 ARCHED LOUVER TRIM.
  - BRICK SOLDIER COURSE.
  - 5/4 X 6 PAINTED WOOD TRIM.
  - EYEBROW LOUVER - BY FYPON - 1'-6" WIDE X 2'-6" HIGH OR EQUAL.
  - PROVIDE STEP FLASHING AND COUNTER FLASHING MIN. 16" HIGH THE ENTIRE LENGTH OF VERTICAL WALL ADJACENT TO ROOF - TYPICAL.
  - HEAD AND SILL WINDOW TRIM TO CONTINUE TO ADJACENT CORNER TRIM. TRIM INFILL BETWEEN WINDOW JAMB AND CORNER TRIM OR CUT WINDOW TRIM AS NECESSARY - CORNER TRIM ALWAYS CONTINUOUS.
  - POURED CONCRETE STEPS WITH 1" TREAD AND 8 1/4" RISER MAXIMUM.
  - 2 x 8 PAINTED WOOD HEAD TRIM WITH 2" OVERHANG EACH SIDE.
  - 2 x 10 PAINTED WOOD EYEBROW TRIM. END OF TRIM TO BE 2" LESS THAN HEIGHT OF 2X.
  - OPTIONAL. WOOD GARUD RAIL - SEE DETAIL K ON SHEET A304.
  - 5/4 X 8 TRIM - SEE WALL SECTION D ON SHEET A301.
  - WINDOWS IN GARAGE DOORS - OPTIONAL.
  - DORMER LOCATION. SEE WALL SECTION ON SHEET A304 FOR MORE INFORMATION.
  - VINYL SHAKE SIDING.

ALL SIDING & TRIM TO BE LOUISIANA PACIFIC 'SMART SIDE' CEDAR GRAIN TEXTURE (UNLESS NOTED OTHERWISE) - SIZES AS INDICATED.

2463 E. MAIN STREET  
BEXLEY, OHIO 43209  
(614) 239-6868  
FAX (614) 239-9868

**Epcon Communities**  
**Villas at Park Place**  
By Park Place West Chester, LLC

**PROPRIETARY RIGHTS NOTICE**  
COPYRIGHT 2007 EPCON COMMUNITIES FRANCHISING, INC.  
ALL RIGHTS ARE RESERVED IN THIS INFORMATION AND ALL RELATED ILLUSTRATIONS, PLANS, BLUEPRINTS, SKETCHES, DRAWINGS, OR ANY OTHER TANGIBLE EXPRESSIONS THEREOF, WHICH ARE THE PROPERTY OF EPCON COMMUNITIES FRANCHISING, INC., 300 STONEHENGE PARKWAY, DUBLIN, OHIO 43017, TELEPHONE 614.682.3027. NO ONE MAY BUILD, LICENSE, TRANSFER, REPRODUCE OR DUPLICATE THIS WORK IN ANY WAY WITHOUT THE WRITTEN AUTHORIZATION OF EPCON COMMUNITIES FRANCHISING, INC.

THESE DRAWINGS SHALL BE USED IN CONFORMANCE WITH ALL LOCAL BUILDING, MECHANICAL, PLUMBING AND ELECTRICAL CODES AND SHALL MEET THE REQUIREMENTS OF THE HEALTH DEPARTMENT, FIRE MARSHALL, AMERICANS WITH DISABILITIES ACT ACCESSIBILITY GUIDELINES (ADAAG), THE FAIR HOUSING ACT ACCESSIBILITY GUIDELINES (FHAG), AND SHALL BE CONSTRUCTED IN CONFORMANCE WITH STATE AND LOCAL ENERGY REQUIREMENTS.

Prototype Disk No.	Interim Revision	Page Revisions Date
		3/1/10

Architect Project Number  
2010-005

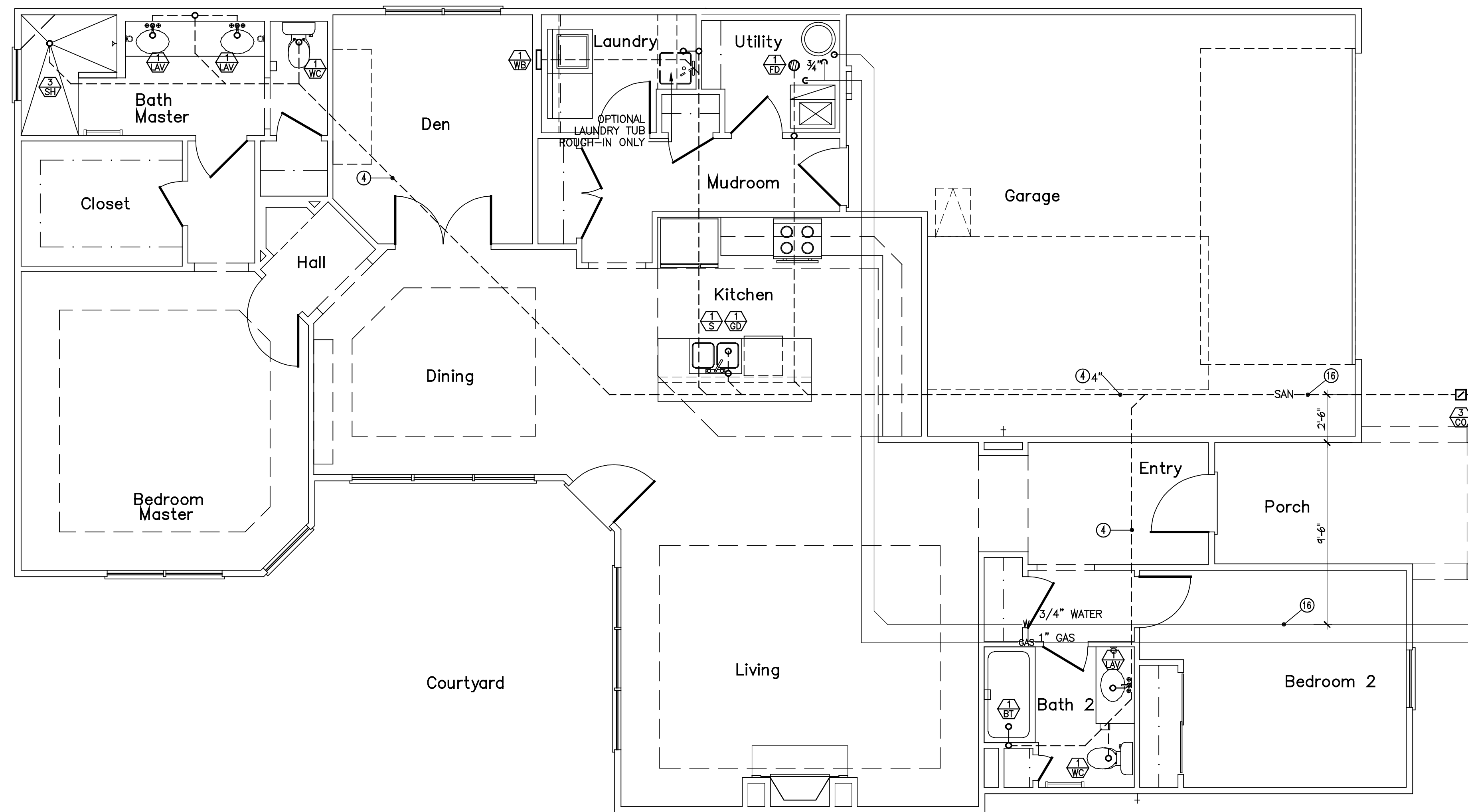
Community Dates & Revisions	
Date Originated	1 FEB 2015
Permit Construction	
Revisions	
▲	▲
▲	▲
▲	▲

Drawing Title  
**Exterior Elevations**

Architectural Style  
European Country

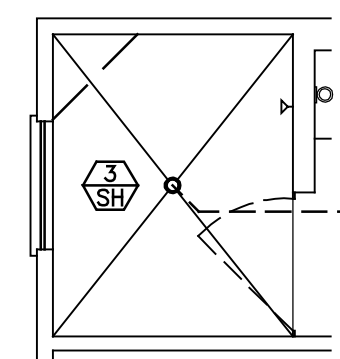
Sheet Number  
**A.201**  
D2+M 2010





**PDD-2 SANITARY PLUMBING PLAN**

SCALE: 1/4" = 1'-0"

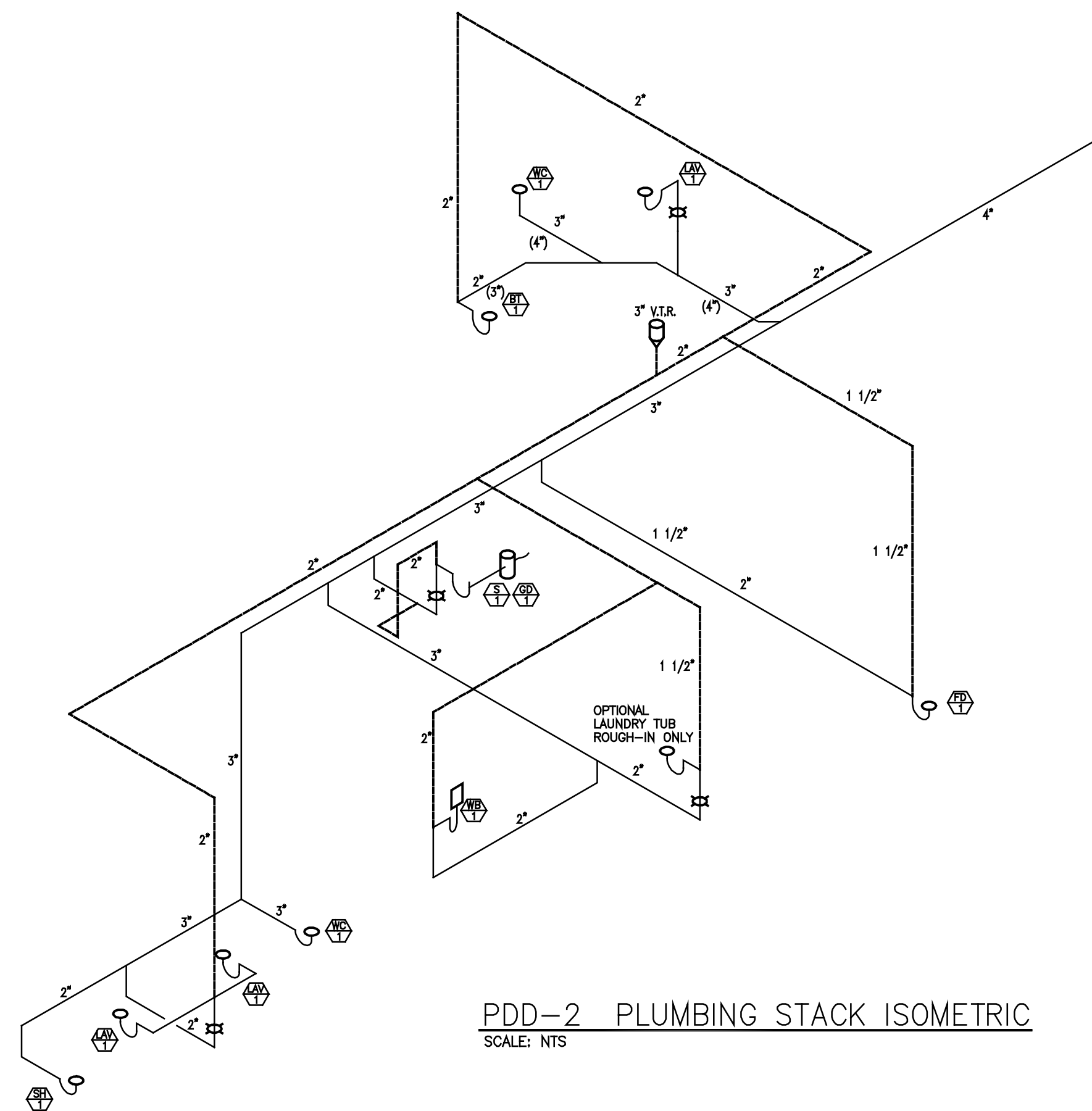


**MASTER BATH - OPTIONAL ALT.**  
SCALE: 1/4" = 1'-0" **WALK-IN SHOWER**

NOTE: PENETRATIONS OF FLOOR-CEILING ASSEMBLIES AND WALL ASSEMBLIES REQUIRED TO HAVE A FIRE-RESISTANCE RATING MUST MAINTAIN THE INTEGRITY OF THE FIRE-RESISTANCE-RATED ASSEMBLY AND LIMIT THE SPREAD OF FIRE AND SMOKE. FIRE/SMOKE STOPPING MATERIAL SHALL BE U.L. APPROVED AND SHALL BE RATED FOR THE TYPE OF FIRE-RESISTANT RATED ASSEMBLY AND THE MATERIAL TYPE OF THE PENETRANT.

NOTE: PVC DRAIN, WASTE AND VENT PIPING AND COPPER WATER PIPING PASSING THROUGH A STRUCTURAL MEMBER WITHIN 1-1/2" FROM THE NEAREST EDGE MUST BE PROTECTED BY A 1/16" STEEL PLATE TO PREVENT FASTENER PENETRATION.

NOTE: NO PIPING SHALL BE LOCATED DIRECTLY ABOVE ELECTRIC PANELS. SEE ELECTRIC PLANS FOR LOCATIONS.



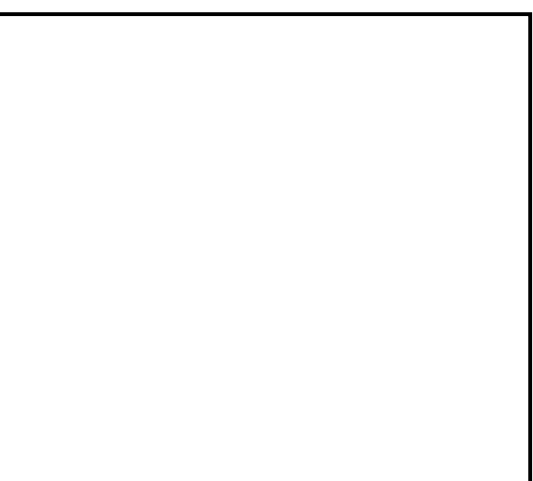
**PDD-2 PLUMBING STACK ISOMETRIC**  
SCALE: NTS

**PLUMBING DESIGN CRITERIA**

- SANITARY BUILDING SERVICES SHALL BE SDR-35 AND AS APPROVED FOR USE BY LOCAL UTILITY.
- SANITARY DRAIN WASTE AND VENT PIPING SHALL BE SCHEDULE #40 PVC SOLVENT WELD PIPE AND FITTINGS. PIPING SHALL BE SLOPED AS FOLLOWS:  
3" AND SMALLER: 1/4" PER FT.  
4" AND LARGER: 1/8" PER FT.
- WATER SERVICE SUPPLY PIPING SHALL BE POLYETHYLENE TUBING OR TYPE "K" SOFT COPPER AND AS APPROVED FOR USE BY LOCAL UTILITY.
- PROVIDE 3/4" WATER SERVICE TO EACH BUILDING. COORDINATE WITH LOCAL WATER UTILITY.
- PROVIDE WATTS NO. 7D BACKFLOW DEVICE ON WATER SERVICE TO EACH INDIVIDUAL UNIT.
- PROVIDE MINIMUM 1/2" WATER SUPPLY PIPE TO EACH PLUMBING FIXTURE. PIPING TO BE INSTALLED BELOW FLOOR SLAB. (NO FITTINGS PERMITTED BELOW SLAB). WATER SUPPLY PIPING SHALL BE AS FOLLOWS:  
o TYPE "K" SOFT COPPER TUBING - BELOW SLAB.  
o TYPE "L" HARD COPPER TUBING - ABOVE SLAB.  
o CPVC COLED PLASTIC TUBING - BELOW SLAB.  
o CPVC RIGID PLASTIC TUBING - ABOVE SLAB.
- DISHWASHER SUPPLY PIPING SHALL BE AS REQUIRED BY LOCAL GAS UTILITY.
- PROVIDE GAS METER AND RISER ASSEMBLY FOR EACH UNIT PER LOCAL GAS UTILITY REQUIREMENTS.
- PROVIDE MINIMUM 1/2" GAS SUPPLY PIPE TO EACH DESIGNATED PIECE OF EQUIPMENT. PIPING TO BE INSTALLED IN VENTILATED ATTIC.
- GAS SUPPLY PIPING SHALL BE AS FOLLOWS:  
o SCHEDULE #40 BLACK STEEL PIPE.
- PROVIDE GAS SUPPLY PIPE TO THE FOLLOWING EQUIPMENT:  
1  
3  
2
- ALL PIPING SYSTEMS SHALL COMPLY WITH STATE AND LOCAL CODE REQUIREMENTS.
- ALL MATERIALS AND INSTALLATION OF PLUMBING SYSTEMS SHALL COMPLY WITH STATE AND LOCAL BUILDING CODE REQUIREMENTS.
- WATER HEATER SHALL BE 40 GALLON GAS FIRED WITH 35,000 BTUH GAS INPUT.  
o INSTALL CODE APPROVED, SELF CLOSING TEMPERATURE AND PRESSURE RELIEF VALVE AND DISCHARGE INDIRECTLY INTO  
o INSTALL HEAT TRAPS ON CW AND HW SUPPLY PIPES.  
o INSTALL THERMAL EXPANSION TANK ON CW SUPPLY PIPE HUB FROM WATER HEATER.
- WATER HEATER SHALL BE ADJUSTED TO DELIVER NO MORE THAN
- SHOWER VALVES SHALL BE THERMOSTATIC/PRESSURE BALANCE TYPE MIXING VALVES WITH MAXIMUM WATER TEMPERATURE ADJUSTED TO DELIVER NO MORE THAN 110° F HW.
- EACH FIXTURE OR PIECE OF EQUIPMENT SHALL BE INSTALLED WITH INDIVIDUAL SHUT-OFF VALVES.
- SHOCK ARRESTORS SHALL BE INSTALLED ON WATER SUPPLY PIPING WHERE QUICK CLOSING VALVES ARE CONNECTED TO THE SYSTEM. (I.E. DISHWASHER/WASHING MACHINE).
- PROVIDE 1/2" CW SUPPLY PIPE WITH 1/4 TURN BALL VALVE PVC VALVE BOX FOR ICE MAKER.
- PROVIDE 1/2" HW SUPPLY PIPE WITH 1/4 TURN BALL VALVE FOR DISHWASHER.
- PROVIDE 5/8" DRAIN LINE FROM DISHWASHER TO GARBAGE DISPOSAL.
- INSTALL 1/3 H.P. GARBAGE DISPOSAL IN SINK COMPARTMENT CLOSEST TO DISHWASHER.  
EXCEPTION: ON SINK UPGRADE, G.D. TO BE INSTALLED IN VEGETABLE BOWL.
- PROVIDE 1/2" CW/HW SUPPLY PIPES WITH 1/4 TURN VALVES, 2" DRAIN LINE AND PVC BOX FOR WASHING MACHINE.
- NO WATER PIPING TO BE LOCATED IN EXTERIOR WALL. PIPE ROUGH-INS SHALL BE LOCATED IN BASE CABINET BELOW FIXTURE.
- INSTALL CLEANOUTS ON BUILDING SANITARY DRAINS AT MAXIMUM 100FT. O.C. AND CHANGES GREATER THAN 45°.
- INSTALL FLOOR DRAIN IN WATER HEATER CLOSET.  
120° F HW.
- PROVIDE TRAP PRIMER VALVE FOR ALL FLOOR DRAINS AND HUB DRAIN.

**PLUMBING PLAN NOTES**

- 4" SANITARY BUILDING DRAIN LOCATED BELOW FLOOR SLAB. SLOPE MINIMUM 1/8" PER FT.
- 2" WATER SUPPLY PIPING LOCATED BELOW FLOOR SLAB. SLOPE MINIMUM 48" BELOW GRADE.
- 2" FIRE PLACE GAS SUPPLY PIPE FROM METER SET TO MANIFOLD.
- 2" WATER HEATER GAS SUPPLY PIPE FROM METER SET TO MANIFOLD.
- 2" GAS SUPPLY PIPE TO VENTILATED ATTIC.
- SANITARY BRANCH PIPING FOR 1st FLOOR FIXTURES TO BE LOCATED BELOW FIRST FLOOR SLAB.
- HOT AND COLD WATER PIPING FOR 1st FLOOR FIXTURES TO BE LOCATED BELOW FIRST FLOOR SLAB. (NO FITTINGS BELOW SLAB).
- GAS PIPING FOR 1st FLOOR EQUIPMENT TO BE LOCATED IN VENTILATED ATTIC.  
EXTEND INDIVIDUAL "CSST" GAS SUPPLY PIPES FROM MANIFOLD TO EACH INDIVIDUAL PIECE OF EQUIPMENT. (NO FITTINGS).
- PROVIDE 1/2" VALVED HW WITH FLEX HOSE TO D.W.  
PROVIDE 5/8" FLEX DRAIN LINE FROM D.W. TO G.D.
- 8 ICE MAKER VALVE BOX.  
PROVIDE 1/2" VALVED CW WITH 3/8" FLEX HOSE TO ICE MAKER.
- 9 FURNACE.  
PROVIDE 3/4" CSST WARD FLEX GAS SUPPLY PIPE TO FURNACE. INSTALL GAS VALVE AT CONNECTION TO EQUIPMENT.
- 10 WATER HEATER.  
PROVIDE 3/4" CSST WARD FLEX GAS SUPPLY PIPE TO WATER HEATER. INSTALL GAS VALVE AT CONNECTION TO EQUIPMENT.
- 11 RANGE. (OPTIONAL)  
PROVIDE 1/2" CSST WARD FLEX GAS SUPPLY PIPE TO RANGE. INSTALL GAS VALVE AT CONNECTION TO EQUIPMENT.
- 12 FIREPLACE.  
PROVIDE 1/2" CSST WARD FLEX GAS SUPPLY PIPE TO VENTED FIREPLACE. INSTALL BRASS SHUT-OFF VALVE AND KEY.
- 13 FIRE PIT. (OPTIONAL)  
PROVIDE 1/2" CSST WARD FLEX GAS SUPPLY PIPE TO FIRE PIT. INSTALL BRASS SHUT-OFF VALVE AND KEY AT 18" ABOVE GRADE.  
(VERIFY EXACT LOCATION WITH G.C.).
- 14 1/2" TYPE "K" FLEX COPPER GAS SUPPLY PIPE. INSTALL IN PVC CONDUIT 12" - 18" BELOW GRADE. COORDINATE INSTALLATION WITH G.C.
- 15 4" SANITARY DOWN IN WALL TO TIE INTO FIRST FLOOR SANITARY.
- 16 PLUMBER TO PROVIDE 4" PVC SLEEVE FOR WATER AND 4" SANITARY LINE FOR INSTALLATION BY FOOTER CONTRACTOR.



**DEAN A. WENZ**  
ARCHITECTS

2463 E. MAIN STREET  
BEXLEY, OHIO 43209  
(614) 239-6868  
FAX (614) 239-9868

**Epcon Communities**  
**Villas at Park Place**  
By Park Place West Chester, LLC

**PROPRIETARY RIGHTS NOTICE**  
COPYRIGHT 2007 EPCON COMMUNITIES FRANCHISING, INC.  
ALL RIGHTS ARE RESERVED IN THIS INFORMATION AND ALL RELATED ILLUSTRATIONS, PLANS, BLUEPRINTS, SKETCHES, DRAWINGS, OR ANY OTHER TANGIBLE EXPRESSIONS THEREOF, WHICH ARE THE PROPERTY OF EPCON COMMUNITIES FRANCHISING, INC., 500 STONEHENGE PARKWAY, DUBLIN, OHIO 43017, TELEPHONE 614.852.3327. NO ONE MAY BUILD, LICENSE, TRANSFER, REPRODUCE OR DUPLICATE THIS WORK IN ANY WAY WITHOUT THE WRITTEN AUTHORIZATION OF EPCON COMMUNITIES FRANCHISING, INC.  
THESE DRAWINGS SHALL BE USED IN CONFORMANCE WITH ALL LOCAL BUILDING, MECHANICAL, PLUMBING AND ELECTRICAL CODES AND SHALL MEET THE REQUIREMENTS OF THE HEALTH DEPARTMENT, FIRE MARSHALL, AMERICANS WITH DISABILITIES ACT ACCESSIBILITY GUIDELINES (ADAAG), THE FAIR HOUSING ACT ACCESSIBILITY GUIDELINES (FHAG), AND SHALL BE CONSTRUCTED IN CONFORMANCE WITH STATE AND LOCAL ENERGY REQUIREMENTS.

Prototype Disk No.	Interim Page Revisions	Date
	Revision	11/2/10

**Architect Project Number**  
2010-005

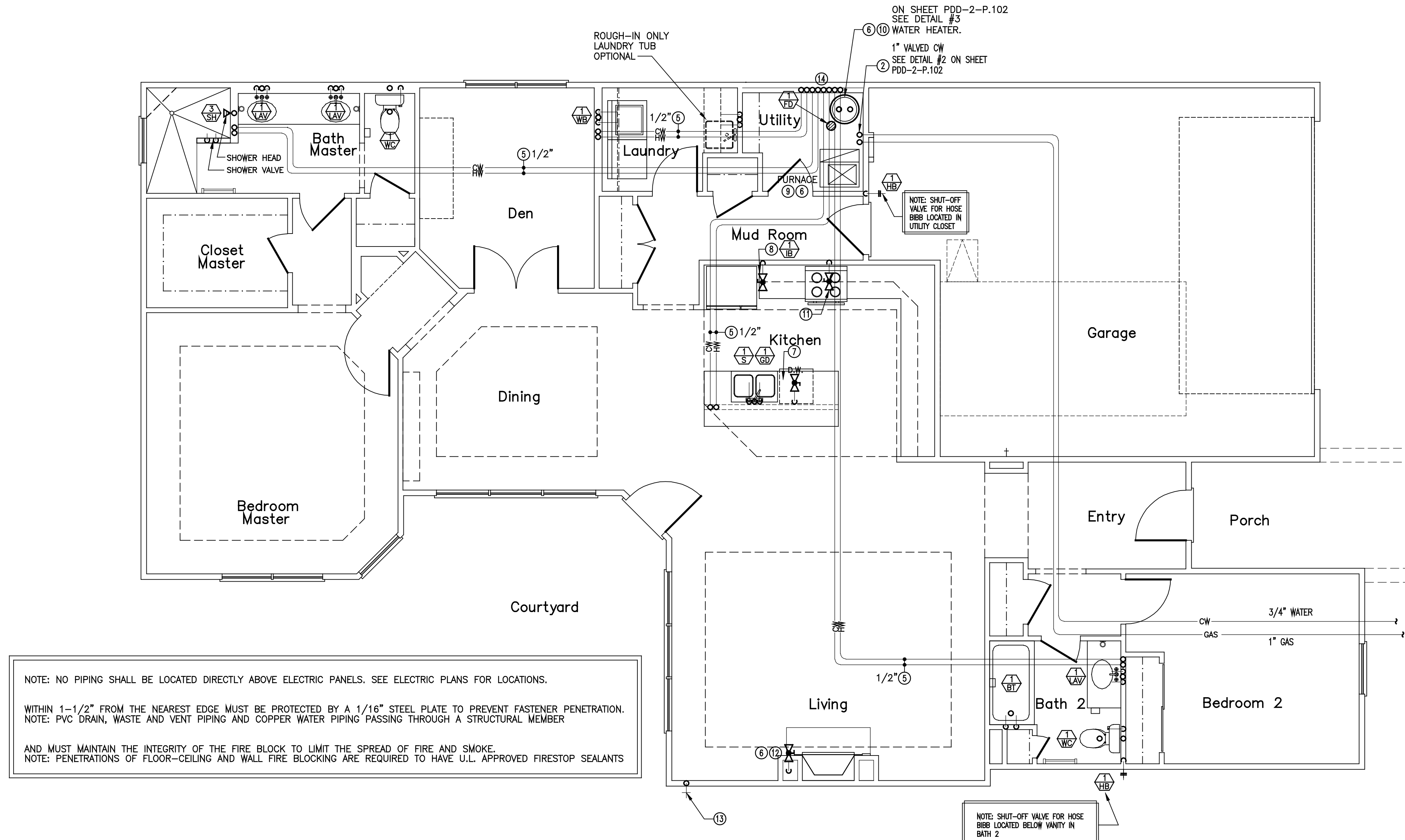
**Community Dates & Revisions**  
Date Originated 1 FEB 2015  
Bid  
Permit  
Construction  
Revisions  
△  
△  
△  
△

**Drawing Title**  
**Plumbing Plans**

**Architectural Style**  
European Country  
**Sheet Number**  
**P.100**  
D2+M 2010

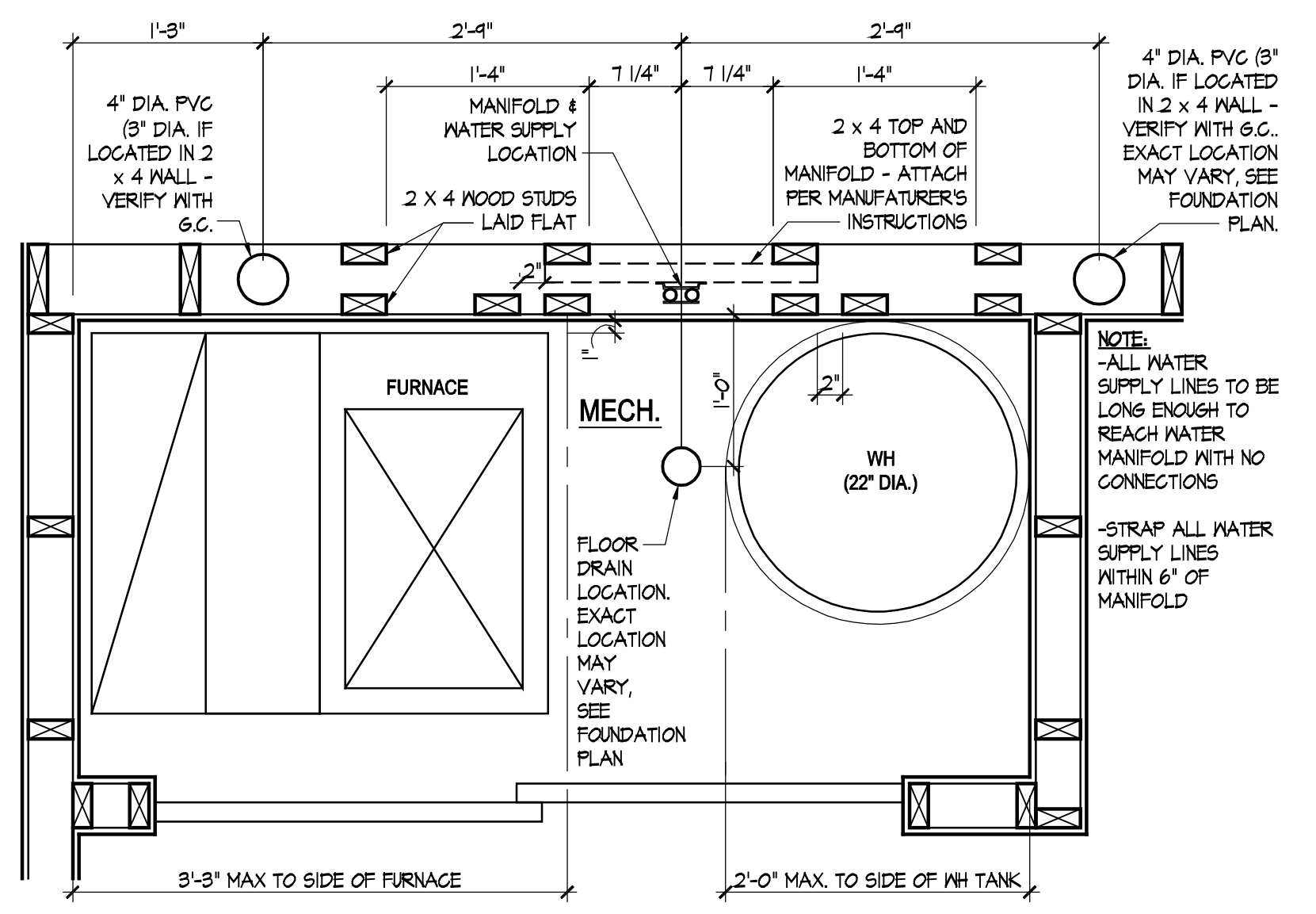
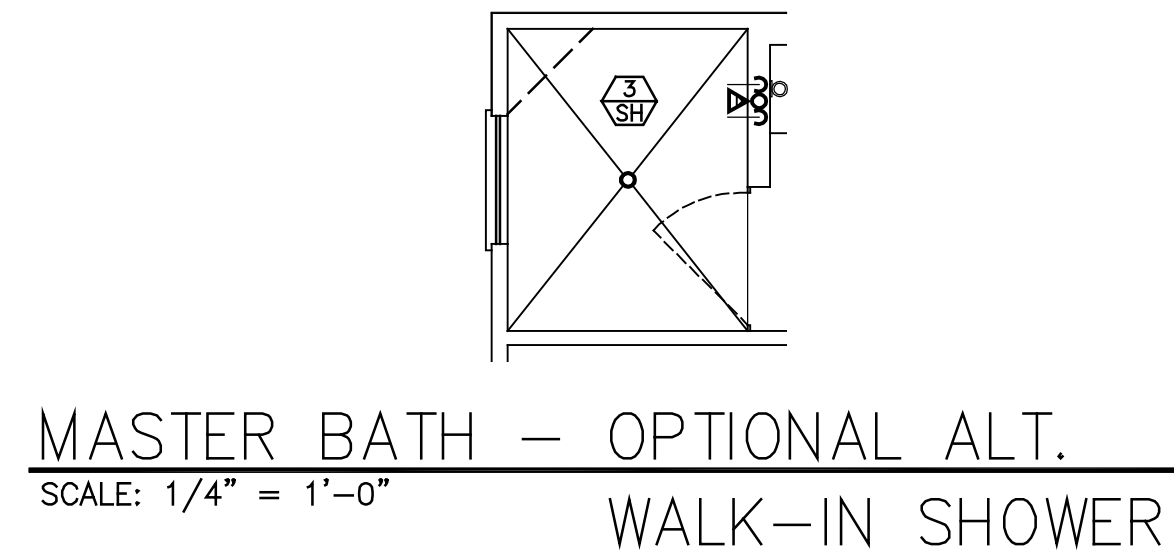
PLUMBING DESIGN CRITERIA

- SANITARY BUILDING SERVICES SHALL BE SDR-35 AND AS APPROVED FOR USE BY LOCAL UTILITY.
- SANITARY DRAIN WASTE AND VENT PIPING SHALL BE SCHEDULE #40 PVC SOLVENT WELD PIPE AND FITTINGS. PIPING SHALL BE SLOPED AS FOLLOWS:  
3" AND SMALLER: 1/4" PER FT.  
4" AND LARGER: 1/8" PER FT.
- WATER SERVICE SUPPLY PIPING SHALL BE POLYETHYLENE TUBING OR TYPE 'K' SOFT COPPER AND AS APPROVED FOR USE BY LOCAL UTILITY.
- PROVIDE 3/4" WATER SERVICE TO EACH BUILDING. COORDINATE WITH LOCAL WATER UTILITY.
- PROVIDE WATTS NO. 7D BACKFLOW DEVICE ON WATER SERVICE TO EACH INDIVIDUAL UNIT.
- PROVIDE MINIMUM 1/2" WATER SUPPLY PIPE TO EACH PLUMBING FIXTURE. PIPING TO BE INSTALLED BELOW FLOOR SLAB. (NO FITTINGS PERMITTED BELOW SLAB).  
WATER SUPPLY PIPING SHALL BE AS FOLLOWS:  
o TYPE 'K' SOFT COPPER TUBING - BELOW SLAB.  
o TYPE 'L' HARD COPPER TUBING - ABOVE SLAB.  
o CPVC COILED PLASTIC TUBING - BELOW SLAB.  
o CPVC RIGID PLASTIC TUBING - ABOVE SLAB.
- GAS SERVICE SUPPLY PIPING SHALL BE AS REQUIRED BY LOCAL GAS UTILITY.
- PROVIDE GAS METER AND RISER ASSEMBLY FOR EACH UNIT PER LOCAL GAS UTILITY REQUIREMENTS.
- PROVIDE MINIMUM 1/2" GAS SUPPLY PIPE TO EACH DESIGNATED PIECE OF EQUIPMENT. PIPING TO BE INSTALLED IN VENTILATED ATTIC. GAS SUPPLY PIPING SHALL BE AS FOLLOWS:  
o SCHEDULE #40 BLACK STEEL PIPE.  
o CSST TUBING.
- PROVIDE GAS SUPPLY PIPE TO THE FOLLOWING EQUIPMENT:  
o FURNACE  
o WATER HEATER  
o FIREPLACE  
o RANGE  
o FIRE PIT
- ALL PIPING SYSTEMS SHALL COMPLY WITH STATE AND LOCAL CODE REQUIREMENTS.
- ALL MATERIALS AND INSTALLATION OF PLUMBING SYSTEMS SHALL COMPLY WITH STATE AND LOCAL BUILDING CODE REQUIREMENTS.
- WATER HEATER SHALL BE 40 GALLON GAS FIRED WITH 35,000 BTUH GAS INPUT.  
o INSTALL CODE APPROVED, SELF CLOSING TEMPERATURE AND PRESSURE RELIEF VALVE AND DISCHARGE INDIRECTLY INTO HUB DRAIN.  
o INSTALL HEAT TRAPS ON CW AND HW SUPPLY PIPES.  
o INSTALL THERMAL EXPANSION TANK ON CW SUPPLY PIPE TO WATER HEATER.
- WATER HEATER SHALL BE ADJUSTED TO DELIVER NO MORE THAN 120° F HW.
- SHOWER VALVES SHALL BE THERMOSTATIC/PRESSURE BALANCE TYPE MIXING VALVES WITH MAXIMUM WATER TEMPERATURE ADJUSTED TO DELIVER NO MORE THAN 110° F HW.
- EACH FIXTURE OR PIECE OF EQUIPMENT SHALL BE INSTALLED WITH INDIVIDUAL SHUT-OFF VALVES.
- SHOCK ARRESTORS SHALL BE INSTALLED ON WATER SUPPLY PIPING WHERE QUICK CLOSING VALVES ARE CONNECTED TO THE SYSTEM. (I.E. DISHWASHER/WASHING MACHINE).
- PROVIDE 1/2" CW SUPPLY PIPE WITH 1/4 TURN BALL VALVE PVC VALVE BOX FOR ICE MAKER.
- PROVIDE 1/2" HW SUPPLY PIPE WITH 1/4 TURN BALL VALVE FOR DISHWASHER.  
PROVIDE 5/8" DRAIN LINE FROM DISHWASHER TO GARBAGE DISPOSAL.
- INSTALL 1/3 H.P. GARBAGE DISPOSAL IN SINK COMPARTMENT CLOSEST TO DISHWASHER.  
EXCEPTION: ON SINK UPGRADE, G.D. TO BE INSTALLED IN VEGTABLE BOWL.
- PROVIDE 1/2" CW/HW SUPPLY PIPES WITH 1/4 TURN VALVES, 2" DRAIN LINE AND PVC BOX FOR WASHING MACHINE.
- NO WATER PIPING TO BE LOCATED IN EXTERIOR WALL. PIPE ROUGH-INS SHALL BE LOCATED IN BASE CABINET BELOW FIXTURE.
- INSTALL CLEANOUTS ON BUILDING SANITARY DRAINS AT MAXIMUM 100FT. O.C. AND CHANGES GREATER THAN 45°.
- INSTALL FLOOR DRAIN IN WATER HEATER CLOSET.
- PROVIDE TRAP PRIMER VALVE FOR ALL FLOOR DRAINS AND HUB DRAINS.



NOTE: NO PIPING SHALL BE LOCATED DIRECTLY ABOVE ELECTRIC PANELS. SEE ELECTRIC PLANS FOR LOCATIONS.  
 WITHIN 1-1/2" FROM THE NEAREST EDGE MUST BE PROTECTED BY A 1/16" STEEL PLATE TO PREVENT FASTENER PENETRATION. NOTE: PVC DRAIN, WASTE AND VENT PIPING AND COPPER WATER PIPING PASSING THROUGH A STRUCTURAL MEMBER AND MUST MAINTAIN THE INTEGRITY OF THE FIRE BLOCK TO LIMIT THE SPREAD OF FIRE AND SMOKE. NOTE: PENETRATIONS OF FLOOR-CEILING AND WALL FIRE BLOCKING ARE REQUIRED TO HAVE U.L. APPROVED FIRESTOP SEALANTS

PDD-2 PLAN - PLUMBING  
 SCALE: 1/4" = 1'-0"



MANIFOLD DETAIL  
 SCALE: 1" = 1'-0"

PLUMBING PLAN NOTES

- 1 4" SANITARY BUILDING DRAIN LOCATED BELOW FLOOR SLAB. SLOPE MINIMUM 1/8" PER FT.
- 2 1" WATER SUPPLY PIPING LOCATED BELOW FLOOR SLAB. INSTALL MINIMUM 48" BELOW GRADE.
- 3 1/2" (2LB.) CSST GAS SUPPLY PIPE FROM METER SET TO MANIFOLD. INSTALL IN VENTILATED ATTIC.
- 4 SANITARY BRANCH PIPING FOR 1st FLOOR FIXTURES TO BE LOCATED BELOW FIRST FLOOR SLAB.
- 5 HOT AND COLD WATER PIPING FOR 1st FLOOR FIXTURES TO BE LOCATED BELOW FIRST FLOOR SLAB. (NO FITTINGS BELOW SLAB).
- 6 GAS PIPING FOR 1st FLOOR EQUIPMENT TO BE LOCATED IN VENTILATED ATTIC. EXTEND INDIVIDUAL "CSST" GAS SUPPLY PIPES FROM MANIFOLD TO EACH INDIVIDUAL PIECE OF EQUIPMENT. (NO FITTINGS).
- 7 DISHWASHER PROVIDE 1/2" VALVED HW WITH FLEX HOSE TO DW. PROVIDE 5/8" FLEX DRAIN LINE FROM D.W. TO G.D.
- 8 ICE MAKER VALVE BOX PROVIDE 1/2" VALVED CW WITH 3/8" FLEX HOSE TO ICE MAKER.
- 9 FURNACE PROVIDE 3/4" CSST WARD FLEX GAS SUPPLY PIPE TO FURNACE. INSTALL GAS VALVE AT CONNECTION TO EQUIPMENT.
- 10 WATER HEATER PROVIDE 3/4" CSST WARD FLEX GAS SUPPLY PIPE TO WATER HEATER. INSTALL GAS VALVE AT CONNECTION TO EQUIPMENT.
- 11 RANGE (OPTIONAL) PROVIDE 1/2" CSST WARD FLEX GAS SUPPLY PIPE TO RANGE. INSTALL GAS VALVE AT CONNECTION TO EQUIPMENT.
- 12 FIREPLACE PROVIDE 1/2" CSST WARD FLEX GAS SUPPLY PIPE TO VENTED FIREPLACE. INSTALL BRASS SHUT-OFF VALVE AND KEY.
- 13 OPTIONAL GAS BIB - PROVIDE 1/2" CSST WARD FLEX GAS SUPPLY PIPE. INSTALL PER ALL APPLICABLE CODES. (VERIFY EXACT LOCATION WITH G.C.).
- 14 SEE DETAIL THIS SHEET FOR EXACT MANIFOLD LOCATION.
- 15 HOT AND COLD WATER PIPING FOR 2nd FLOOR FIXTURES TO BE ROUTED UP TO 2nd FLOOR JOIST SPACE.



DEAN A. WENZ  
 ARCHITECTS

2463 E. MAIN STREET  
 BEXLEY, OHIO 43209  
 (614) 239-6868  
 FAX (614) 239-9868

Epcon Communities  
 Villas at Park Place  
 By Park Place West Chester, LLC

PROPRIETARY RIGHTS NOTICE  
 COPYRIGHT 2007 EPCON COMMUNITIES FRANCHISING, INC.  
 ALL RIGHTS ARE RESERVED IN THIS INFORMATION AND ALL RELATED ILLUSTRATIONS, PLANS, BLUEPRINTS, SKETCHES, DRAWINGS OR ANY OTHER TANGIBLE EXPRESSIONS THEREOF, WHICH ARE THE PROPERTY OF EPCON COMMUNITIES FRANCHISING, INC. 500 STONEHENGE PARKWAY, DUBLIN, OHIO 43017. TELEPHONE (614) 623-3927. NO ONE MAY BUILD, LICENSE, TRANSFER, REPRODUCE OR DUPLICATE THIS WORK IN ANY WAY WITHOUT THE WRITTEN AUTHORIZATION OF EPCON COMMUNITIES FRANCHISING, INC.

THESE DRAWINGS SHALL BE USED IN CONFORMANCE WITH ALL LOCAL BUILDING, MECHANICAL, PLUMBING AND ELECTRICAL CODES AND SHALL MEET THE REQUIREMENTS OF THE HEALTH DEPARTMENT, FIRE MARSHALL, AMERICANS WITH DISABILITIES ACT ACCESSIBILITY GUIDELINES (ADAA), THE FAIR HOUSING ACT ACCESSIBILITY GUIDELINES (FHAG), AND SHALL BE CONSTRUCTED IN CONFORMANCE WITH STATE AND LOCAL ENERGY REQUIREMENTS.

Prototype Disk No.	Interim Revision	Page Revisions Date
		11/2/10

Architect Project Number  
 2010-005

Community Dates & Revisions	
Date Originated	1 FEB 2015
Bid Permit Construction	
Revisions	
▲	▲
▲	▲
▲	▲


Drawing Title  
 Supply Plumbing Plan

Architectural Style  
 European Country  
 Sheet Number  
**P.101**  
 D2+M 2010

PLUMBING FIXTURE AND DRAIN SCHEDULE						
ITEM	DESCRIPTION	PIPING				ACCESSORIES
		WASTE	VENT	HOT	COLD	
WC-1	WATER CLOSET	3"	1-1/2"	----	1/2"	SEAT: BEMIS NO. 60
LAV-1	LAVATORY	1-1/2"	1-1/2"	1/2"	1/2"	----
BT-1	BATHTUB	1-1/2"	1-1/2"	1/2"	1/2"	LEFT OR RIGHT HAND OUTLET (SEE PLANS)
SH-1	SHOWER	2"	1-1/2"	1/2"	1/2"	LEFT OR RIGHT HAND OUTLET (SEE PLANS)
SH-2	SHOWER W/ BUILT-IN SEAT	2"	1-1/2"	1/2"	1/2"	LEFT OR RIGHT HAND OUTLET (SEE PLANS)
SH-3	CUSTOM TILED SHOWER	2"	1-1/2"	1/2"	1/2"	----
S-1	SINK	1-1/2"	1-1/2"	1/2"	1/2"	----
GD-1	GARBAGE DISPOSAL	1-1/2"	----	----	----	----
IB-1	ICE MAKER BOX	----	----	----	1/2"	----
WB-1	WASHER BOX	2"	1-1/2"	1/2"	1/2"	----
HB-1	FROST FREE HOSE BIBB	----	----	----	3/4"	INSTALL IN EACH GARAGE. MOUNT 18" A.F.F.
FD-1	FLOOR DRAIN	3"	----	----	----	FURNISH WITH TRAP PRIMER
CO-1	CLEANOUT	4"	----	----	----	NICKALOY ACCESS COVER
CO-2	CLEANOUT	4"	----	----	----	STAINLESS STEEL ACCESS COVER
CO-3	CLEANOUT	4"	----	----	----	SEE DETAIL #5 ON THIS SHEET.

NOTE: REFER TO SCOPE WORK LETTER FOR PLUMBING FIXTURE CRITERIA.  
NOTE: MOUNT SHOWER HEADS AT 92" A.F.F.

- ### PLUMBING GENERAL NOTES
- Refer to scope of work letter for plumbing specifications and related work items.
    - Sanitary and vent — per State Plumbing Code.
    - Building water — 125 P.S.I. water for 24 hr., no drop.
    - Building gas — 60 P.S.I. nitrogen for 24 hr., no drop.
  - Pressure test all piping systems:
    - Sanitary and vent — per State Plumbing Code.
    - Building water — 125 P.S.I. water for 24 hr., no drop.
    - Building gas — 60 P.S.I. nitrogen for 24 hr., no drop.
  - Sanitary service pipe shall be as required by local utility.
  - Water service pipe shall be as required by local utility.
  - Gas service pipe shall be as required by local utility.
  - Sanitary waste and vent piping shall be Schedule #40 (PVC) and as approved for use by Local Code.
  - Water distribution piping shall be Schedule #40 CPVC piping with solvent weld joints. Threaded connection to be brass.
  - Gas distribution piping shall be code approved "CSST" plastic coated flexible stainless steel tubing with threaded fittings.
  - Gas pipe rough-ins at equipment shall be schedule #40 black steel piping with threaded fittings.
  - Provide pipe hangers for all piping systems installed. Support at intervals not to exceed 4'-0". Support all piping at fittings, valves and unions. Locate all supports to allow for proper pitch and expansion of pipes.
  - Pitch 3" and smaller sanitary pipe 1/4" per foot. Pitch 4" and larger sanitary pipe 1/8" per foot. Pitch vent piping for drainage.
  - Provide blocking for all plumbing rough-in.
  - All piping for plumbing fixture rough-ins to be located in wall unless otherwise noted.
  - Chrome escutcheon plate shall be provided where pipe rough-in penetrates wall.
  - Provide chrome plated brass shut-off valve with chrome supply pipe at each water closet, lavatory and sink.
  - Bathtub and shower valves shall be equipped with integral shut-off valves.
  - Provide brass shut-off valves at water heater, dishwasher, icemaker water box and washer box.

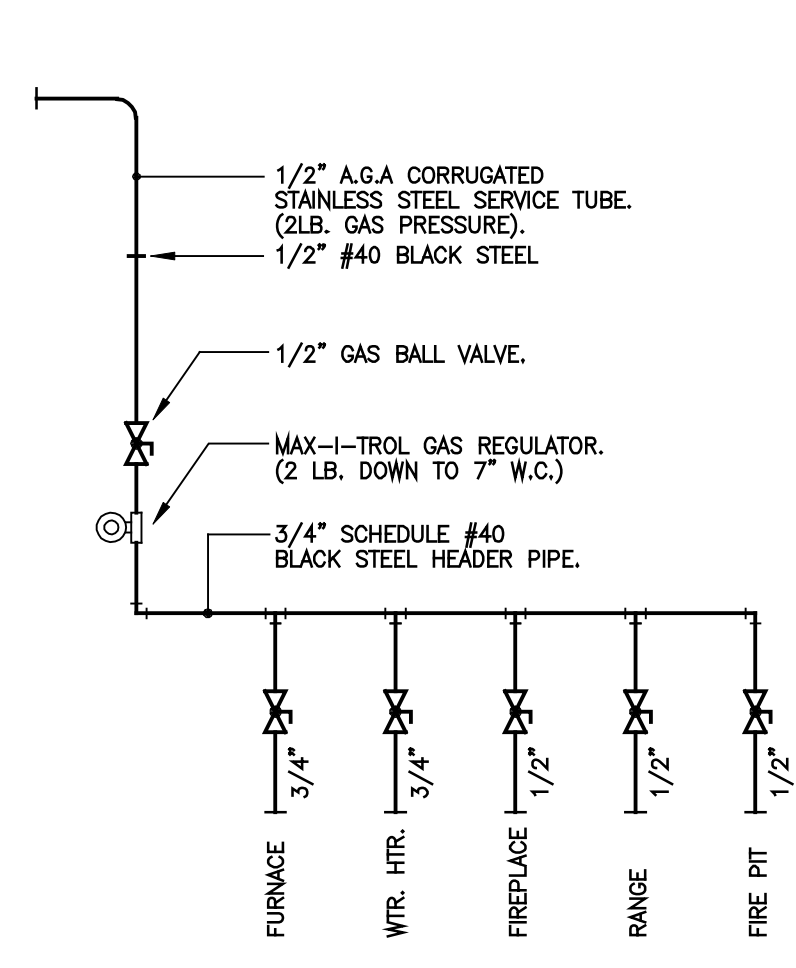


**EPCON**  
Communities  
*Where Life Comes Together™*

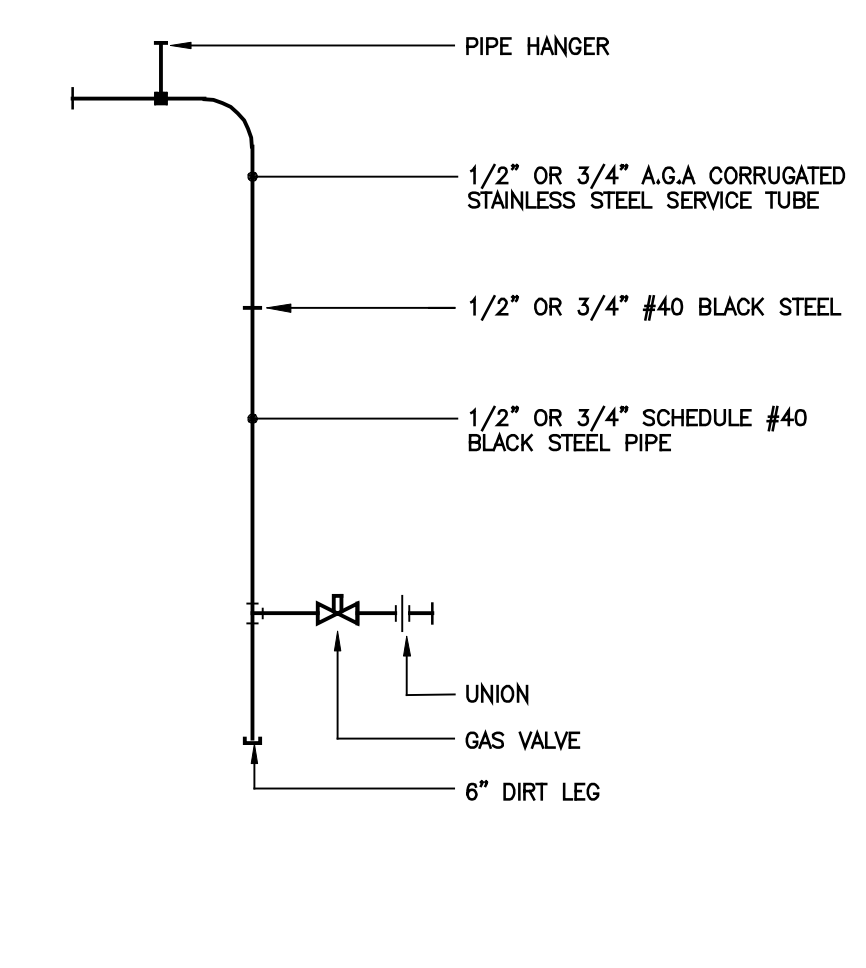
**DEAN A. WENZ**  
ARCHITECTS

2463 E. MAIN STREET  
BEXLEY, OHIO 43209  
(614) 239-6868  
FAX (614) 239-9868

**Epcon Communities**  
**Villas at Park Place**  
 By Park Place West Chester, LLC



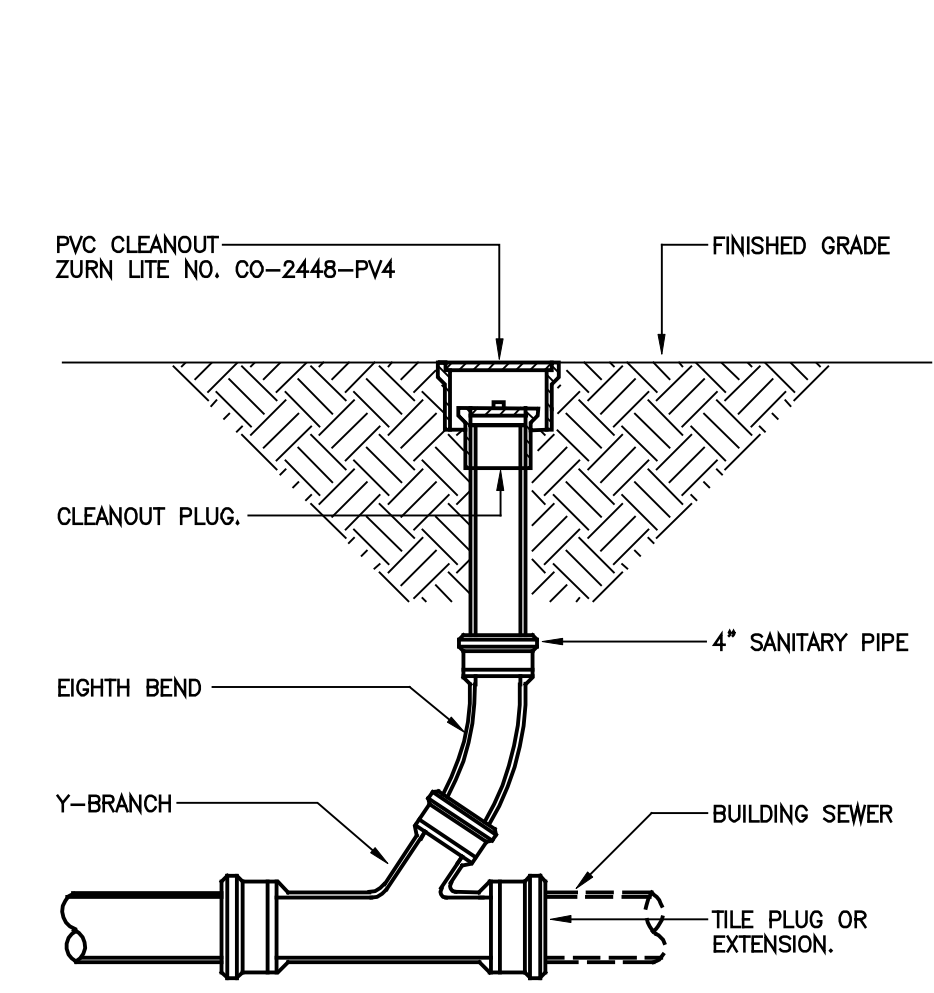
**1 GAS HEADER PIPE DETAIL**  
P.102 NTS



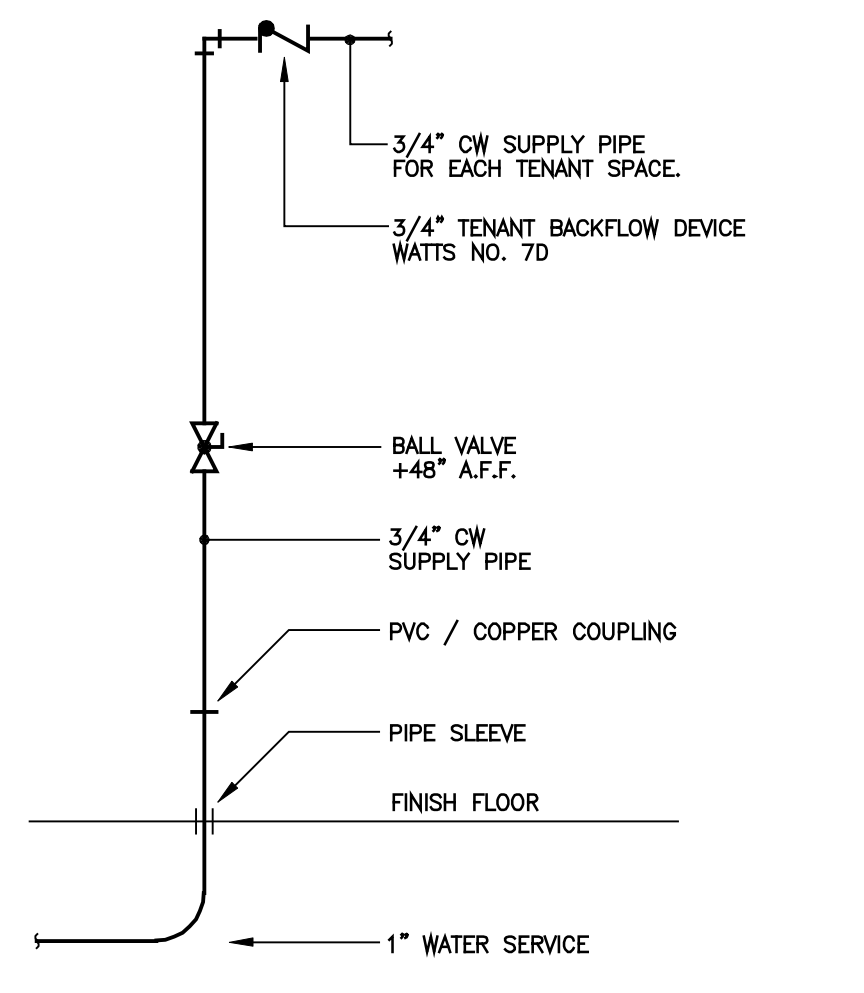
**4 GAS PIPE CONNECTION DETAIL**  
P.102 NTS

### PLUMBING LEGEND

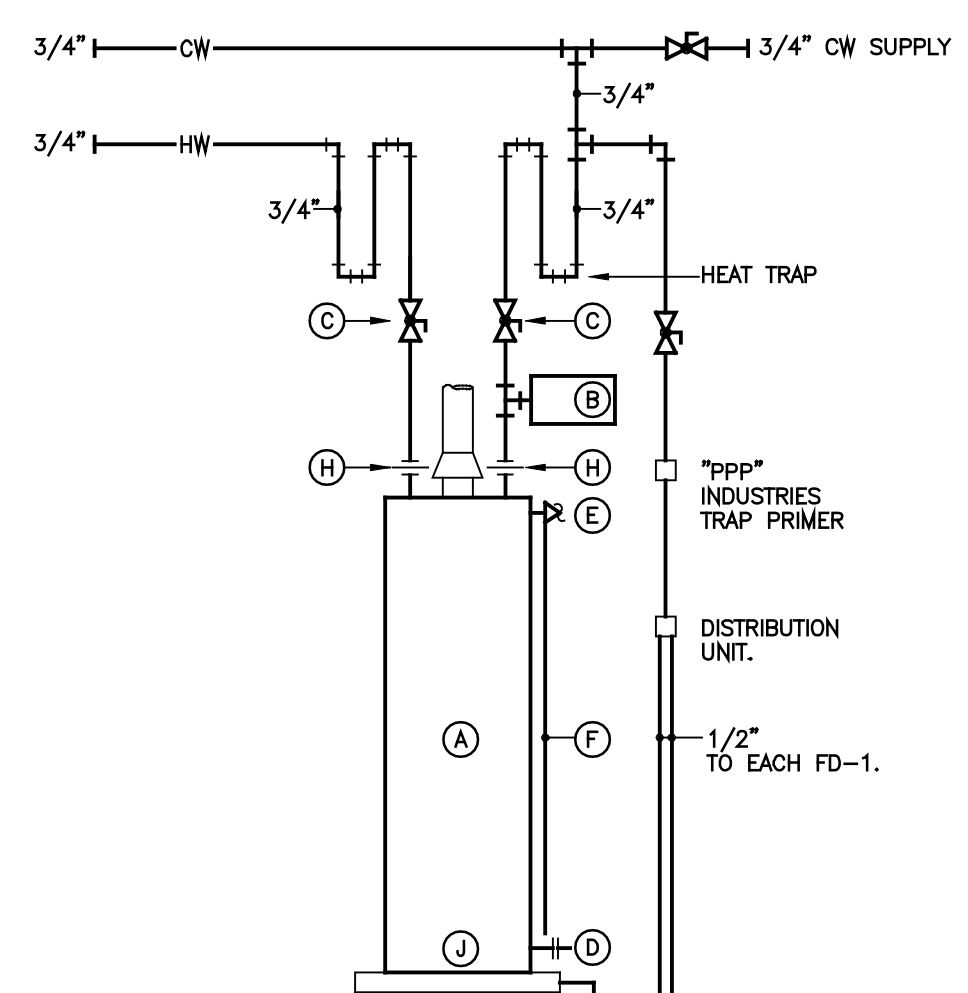
— W —	WATER SERVICE PIPING
— CW —	COLD WATER SUPPLY PIPING
— HW —	HOT WATER SUPPLY PIPING
— SAN —	SANITARY PIPING
— V —	VENT PIPING
— G —	LOW PRESSURE GAS PIPING
⊘	GATE VALVE (LINE SIZE)
⊘	BALL VALVE (LINE SIZE)
⊘	CHECK VALVE (LINE SIZE)
⊘	LUBRICATED PLUG VALVE (LINE SIZE)
⊘	THERMOMETER
⊘	NOTE DESIGNATION
⊘	UNIT NUMBER DESIGNATION
⊘	FLOOR DRAIN
⊘	CLEANOUT
⊘	CLEANOUT PLUG
⊘	OUTSIDE CLEANOUT
⊘	HOSE BIBB (INSTALL 18" ABOVE FIN. GRADE)
⊘	UNION
⊘	SHOCK ARRESTOR
A.A.V.	AUTOMATIC AIR VENT
V.T.R.	VENT THRU ROOF



**5 OUTSIDE CLEANOUT DETAIL**  
P.102 NTS



**2 WATER SERVICE RISER DETAIL**  
P.102 N.T.S.



**3 WATER HEATER DETAIL**  
P.102 NTS

### W.H. NOMENCLATURE

(A)	STANDARD GAS WATER HEATER A.O. SMITH NO. FSG-40 40 GALLON STORAGE 35 G.P.H. @ 90° RISE 35 CU. FT. NATURAL GAS.
(B)	EXPANSION TANK
(C)	BALL VALVE
(D)	DRAIN VALVE
(E)	TEMPERATURE AND PRESSURE RELIEF VALVE
(F)	3/4" DRAIN PIPE, EXTEND TO HUB DRAIN
(G)	NOT USED
(H)	UNION
(J)	PROVIDE 24"x24"x2" GALVANIZED SHEET METAL TRIP PAN BELOW WATER HEATER. EXTEND 3/4" DRAIN LINE TO FLOOR DRAIN.

Prototype Disk No.	Interim Revision	Page Revisions Date
		4/28/10

Architect Project Number  
**2010-005**

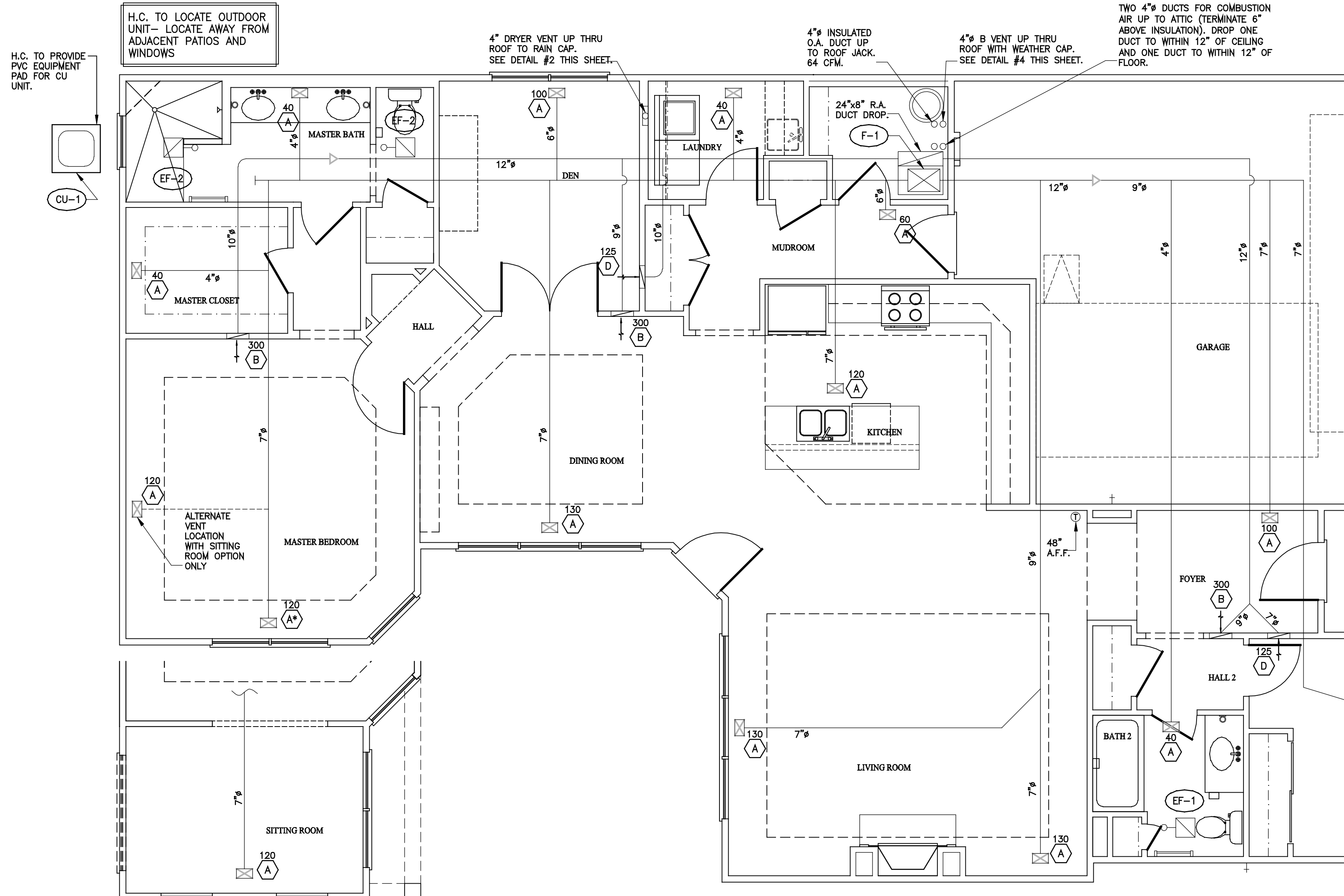
Community Dates & Revisions	
Date Originated	1 FEB 2015
Bid Permit Construction	
Revisions	
△	△
△	△
△	△

Drawing Title  
**Plumbing Specifications & Schedules**

Architectural Style  
European Country

Sheet Number  
**P.102**  
D2+M 2010

PROPRIETARY RIGHTS NOTICE  
COPYRIGHT 2007 EPCON COMMUNITIES FRANCHISING, INC.  
ALL RIGHTS ARE RESERVED IN THIS INFORMATION AND ALL RELATED ILLUSTRATIONS, PLANS, BLUEPRINTS, SKETCHES, DRAWINGS, OR ANY OTHER TANGIBLE EXPRESSIONS THEREOF, WHICH ARE THE PROPERTY OF EPCON COMMUNITIES FRANCHISING, INC., 500 STONEHENGE PARKWAY, DUBLIN, OHIO 43017, TELEPHONE (614) 623-9357. NO ONE MAY BUILD, LICENSE, TRANSFER, REPRODUCE OR DUPLICATE THIS WORK IN ANY WAY WITHOUT THE WRITTEN AUTHORIZATION OF EPCON COMMUNITIES FRANCHISING, INC.  
THESE DRAWINGS SHALL BE USED IN CONFORMANCE WITH ALL LOCAL BUILDING, MECHANICAL, PLUMBING AND ELECTRICAL CODES AND SHALL MEET THE REQUIREMENTS OF THE HEALTH DEPARTMENT, FIRE MARSHALL, AMERICANS WITH DISABILITIES ACT ACCESSIBILITY GUIDELINES (ADAAG), THE FAIR HOUSING ACT ACCESSIBILITY GUIDELINES (FHAG), AND SHALL BE CONSTRUCTED IN CONFORMANCE WITH STATE AND LOCAL ENERGY REQUIREMENTS.



### SPLIT SYSTEM GAS/ELECTRIC AIR-CONDITIONING UNIT SCHEDULE

FURNACE										COOLING COIL			CONDENSING UNIT								
SYMBOL	CARRIER MODEL #	CFM	ESP	BLOWER HP	HEAT. CAP. MBH		ELECTRICAL		CARRIER MODEL #	S.P.	TYPE	SYMBOL	CARRIER MODEL #	COOL. CAP. MBH		ELECTRICAL		SEER	NOTES		
					INPUT	OUTPUT	AFUE	V/φ						FLA.	TOTAL	SENS.	V/φ			M.C.A.	HACR.
F-1	68MCO80-1-12	1245	0.5	3/8	80	74	92.3	120	6.8	CNRPV36 WITH TWY EXP. VALVE	0.34	N	CU-1	24ABR336			240/1	19.1	30	13	1,2,3,4,5,6

- FURNISH & INSTALL PRE-MANUFACTURED AND INSULATED REFRIGERANT LINE SET. (SIZE PER MANUFACTURER REQUIREMENTS).
- FURNISH & INSTALL DIGITAL PROGRAMMABLE THERMOSTAT.
- FURNISH CLEAN FILTER, 16"x25" AND SIDE FILTER RACK.
- FURNISH & INSTALL 2" PVC COMBUSTION AND VENT PIPING WITH CONCENTRIC VENT KIT FOR THRU ROOF VENTING.
- FURNISH AND INSTALL PVC CONDENSATE DRAIN PIPE. CATEGORY IV CONDENSING APPLIANCES SHALL BE PROVIDED WITH AN AUXILIARY DRAIN PAN WHERE DAMAGE TO ANY BUILDING COMPONENT WILL OCCUR AS A RESULT OF STOPPAGE IN THE CONDENSATE DRAINAGE SYSTEM. THE PAN SHALL NOT BE REQUIRED FOR APPLIANCES THAT AUTOMATICALLY SHUT DOWN OPERATION IN THE EVENT OF A STOPPAGE IN THE CONDENSATE DRAINAGE SYSTEM.
- MOUNT UNIT ON LEVELING BLOCKS.

### FAN SCHEDULE

SYMBOL	MODEL #	CFM	DRIVE	ELECTRICAL	DUTY	DAMPER	NOTES
EF-1	BROAN #670	50	DIRECT	120V	TOILET	GRAVITY	1,2
EF-2	BROAN #678 OR NUTONE 763 RLN	50	DIRECT	120V	TOILET	GRAVITY	1,2

- WIRED BY E.C.
- 4" EXHAUST VENT THROUGH ROOF WITH RAINCAP.

### AIR DEVICE SCHEDULE

SYMBOL	FACE SIZE	NECK SIZE	LIMA (OR EQUAL) MODEL NO.	MAX CFM	MOUNTING SURFACE	AIR PATTERN	NOTES
A	12"x6"	10"x4"	10V	200	GYP. BD.	2-WAY	1,2,3,4
B	32"x8"	30"x6"	19H	260	GYP. BD.	RETURN	1,3,7
C	32"x12"	30"x10"	19H	560	GYP. BD.	RETURN	1,3,5
D	16"x8"	14"x6"	19H	130	GYP. BD.	RETURN	1,3,6

- FINISH TO BE STANDARD OFF-WHITE.
- FURNISH NECK MOUNTED OPP. BLADE DAMPER.
- FRAME TO BE COMPATIBLE WITH PLASTER, DRYWALL, OR OTHER SURFACE MOUNTINGS.
- CEILING MOUNTED.
- LOW SIDEWALL DUCT OPENING @ 8" AFF. CONNECT TO TWO 14-1/2" X 5-1/2" R.A. RISERS.
- LOW SIDEWALL DUCT OPENING @ 8" AFF. CONNECT TO ONE 14-1/2" X 3-1/2" R.A. RISERS.
- LOW SIDEWALL DUCT OPENING @ 8" AFF. CONNECT TO TWO 14-1/2" X 3-1/2" R.A. RISERS.

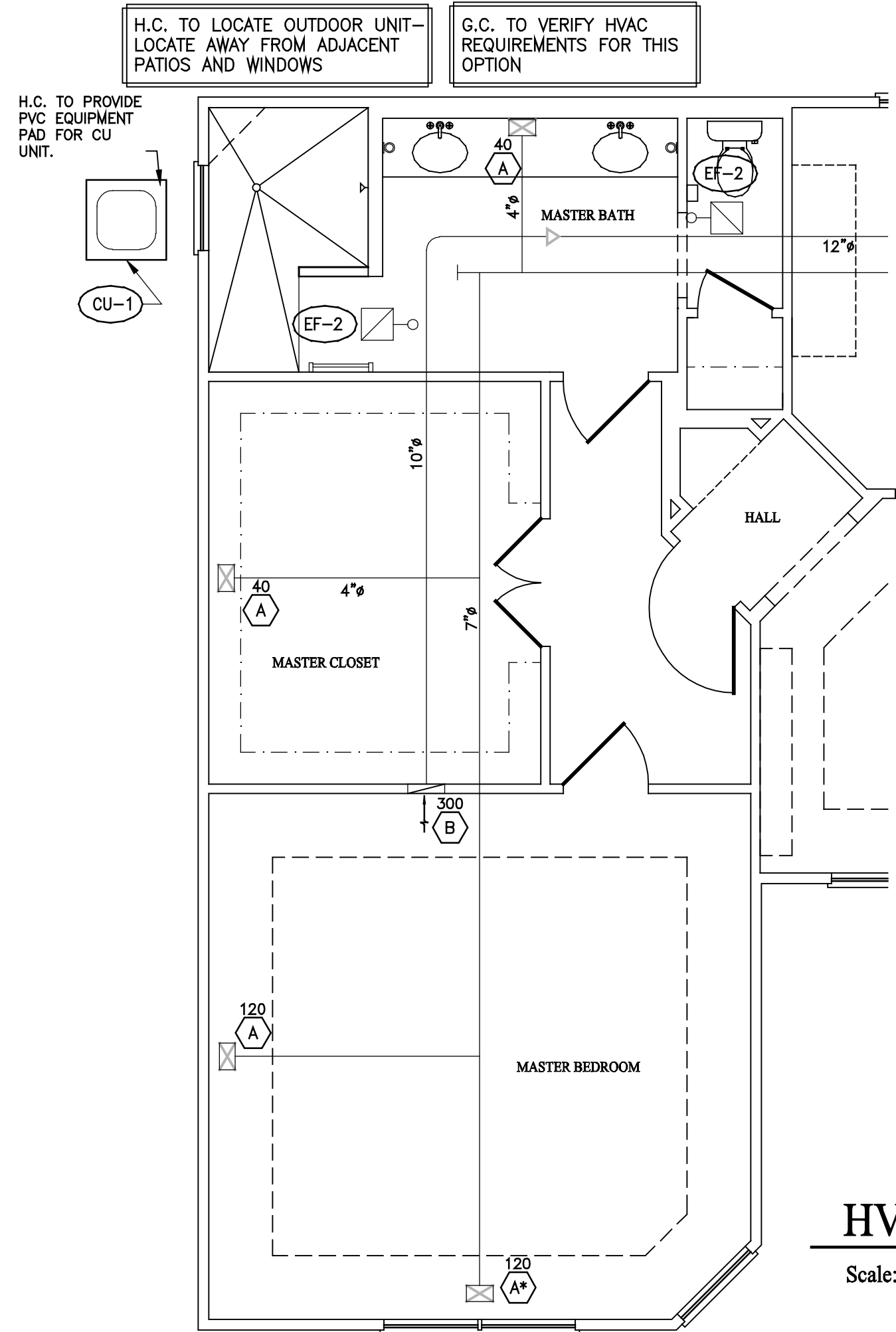
\*SEE OPTIONAL FLOOR PLANS FOR VARYING VENT LOCATIONS

### HVAC Plan - Sitting Room Option

Scale: 1/4" = 1'-0"

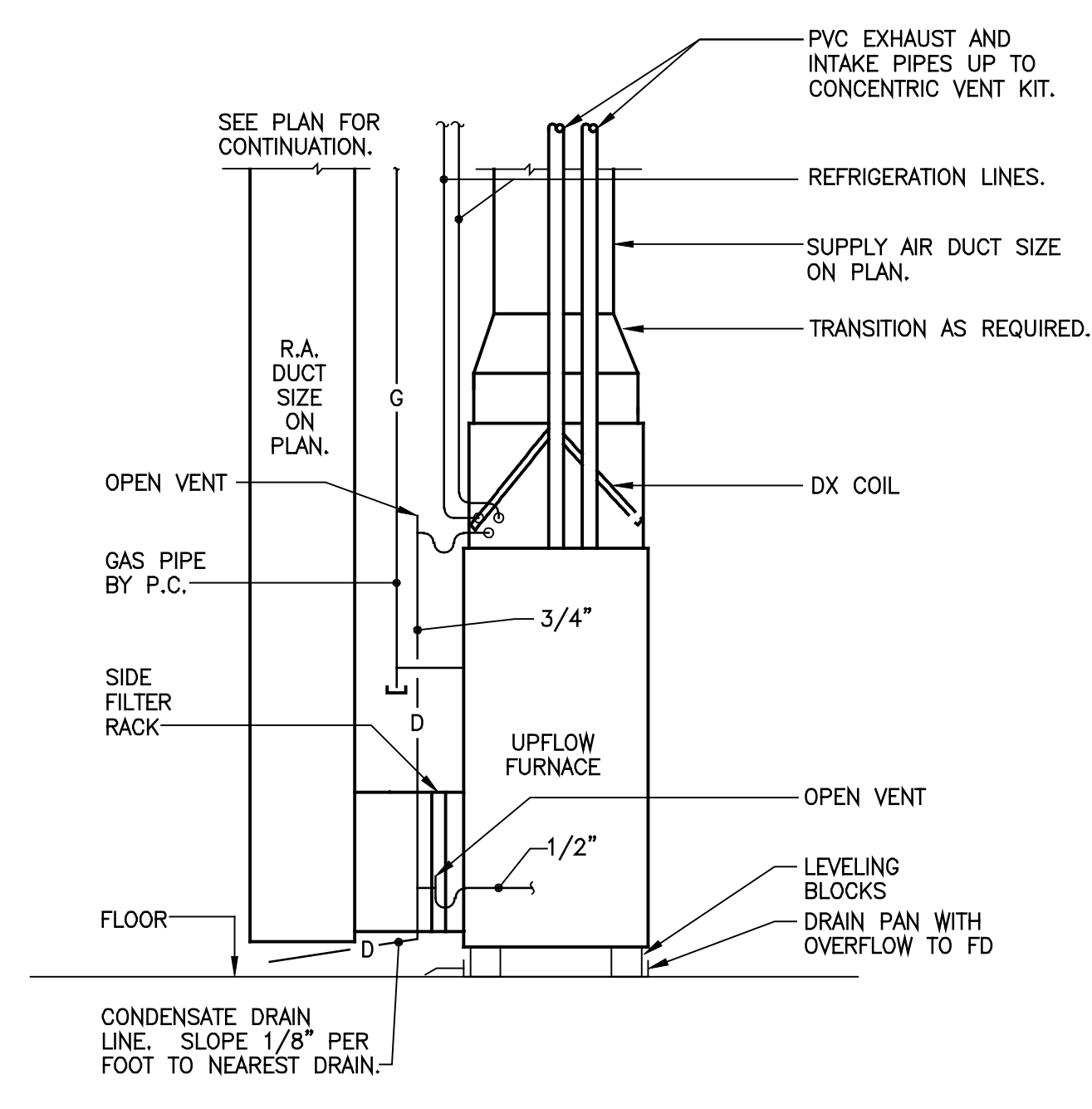
### HVAC Plan

Scale: 1/4" = 1'-0"



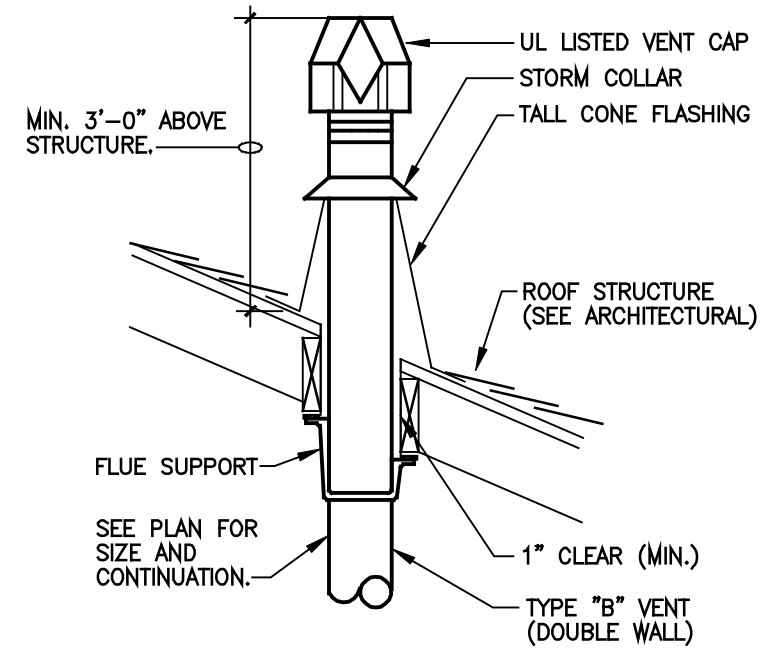
### HVAC Plan - Extended Master Suite Option

Scale: 1/4" = 1'-0"



Typical Upflow Furnace Detail

Scale: N.T.S.

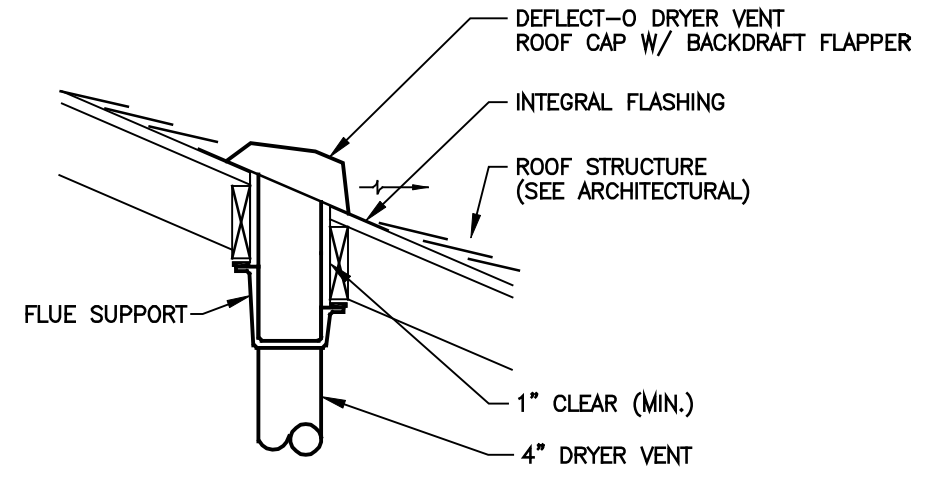


Flue Through Roof Detail

Scale: N.T.S.

### SHEET METAL AND DUCTWORK

- HVAC WORK SHALL BE LAID OUT WITH DUE CONSIDERATION FOR THE WORK OF OTHER TRADES. ANY CONFLICTS WHICH OCCUR DUE TO LACK OF COORDINATION BY THE HVAC CONTRACTOR WITH THE OTHER TRADES (CONTRACTORS) SHALL BE CORRECTED BY THE HVAC CONTRACTOR WITH NO ADDITIONAL COST TO THE OWNER.
- INSULATE ALL DUCTWORK IN ATTIC WITH FIBERGLASS DUCT WRAP INSULATION; R-8 MINIMUM. ALL OTHER DUCTS SHALL BE INSULATED TO A MINIMUM OF R-8.
- FURNISH AND INSTALL UL LISTED TYPE B-VENT FROM OUTLET ON DOMESTIC WATER HEATER AND EXTEND THRU ROOF WITH TERMINATIONS AS REQUIRED BY CODE. FURNISH AND INSTALL UL LISTED WEATHER CAP AND CONE FLASHING.
- DUCTWORK SHALL MEET THE REQUIREMENTS OF SMACNA, NFPA 90A, GBC MECHANICAL CODE, ARTICLE 3. RECTANGULAR DUCTS SHALL BE CONSTRUCTED AND REINFORCED PER SMACNA DUCT CONSTRUCTION STANDARDS, SECTION I. ALL DUCTWORK SHALL BE SEALED IN ACCORDANCE WITH S.M.A.C.N.A. COORDINATE ALL EQUIPMENT AND DUCT RUNS WITH STRUCTURE, LIGHTS, CEILING, CONDUIT, PIPING, AND OTHER EQUIPMENT.
- FLEXIBLE DUCTS SHALL BE 4" THRU 8" SUPPLY AIR BRANCH DUCTS AND 8" THRU 16" RETURN AIR DUCTS ONLY, AND COMPLY WITH NFPA REQUIREMENTS, PAMPHLET 90A AND SHALL BE UL LISTED WITH FLAME SPREAD RATING OF 25 OR LESS AND SMOKE DEVELOPED RATING OF 50 OR LESS. DUCT SHALL BE RATED FOR MINIMUM 10" W.G. INTERNAL WORKING PRESSURE, FOR ALL DUCT SIZES.
- BALANCING DAMPERS SHALL BE GALVANIZED STEEL DAMPERS WITH LOCKING QUADRANT OPERATORS.
- DUCTS, AIR HANDLERS, FILTER BOXES, AND BUILDING CAVITIES USED AS RETURN DUCTS SHALL BE SEALED. JOINTS AND SEAMS SHALL COMPLY WITH CURRENT MECHANICAL CODES. DUCT TIGHTNESS SHALL BE VERIFIED BY EITHER OF THE FOLLOWING:
  - POST-CONSTRUCTION TEST
  - ROUGH-IN TEST
  - EXCEPTION: DUCT TIGHTNESS TEST IS NOT REQUIRED IF THE AIR HANDLER AND ALL DUCTS ARE LOCATED WITHIN THE CONDITIONED SPACE.



Dryer Vent Roof Cap Detail

Scale: N.T.S.

### HVAC LEGEND

	DUCTWORK-INSIDE DIMENSIONS SHOWN
	MANUAL BALANCING DAMPER
	BELLMOUTH FITTING WITH DAMPER
	FLEXIBLE DUCTWORK
	SUPPLY AIR
	RETURN AIR / EXHAUST AIR
	REFRIGERANT LINE SET
	CONDENSATE DRAIN PIPING
	DIAMETER (ROUND)
	PROGRAMMABLE THERMOSTAT
	AIR DEVICE SYMBOL WITH CFM
	PLAN NOTE SYMBOL
	EQUIPMENT NOTE SYMBOL: SEE SCHEDULES AND/OR NOTES.
	ABOVE FINISHED FLOOR
	ABOVE
	CEILING
	FLOOR
	G.C.
	P.C.
	H.C.
	F.P.C.
	E.C.
	S.A.
	R.A.
	O.A.
	EXH.

**PROPRIETARY RIGHTS NOTICE**  
 COPYRIGHT 2007 EPCON COMMUNITIES FRANCHISING, INC.  
 ALL RIGHTS ARE RESERVED IN THIS INFORMATION AND ALL RELATED ILLUSTRATIONS, PLANS, BLUEPRINTS, SKETCHES, DRAWINGS, OR ANY OTHER TANGIBLE EXPRESSIONS THEREOF, WHICH ARE THE PROPERTY OF EPCON COMMUNITIES FRANCHISING, INC. 500 STONEHENGE PARKWAY, DUBLIN, OHIO 43017, TELEPHONE 614.682.3527. NO ONE MAY BUILD, LICENSE, TRANSFER, REPRODUCE OR DUPLICATE THIS WORK IN ANY WAY WITHOUT THE WRITTEN AUTHORIZATION OF EPCON COMMUNITIES FRANCHISING, INC.  
 THESE DRAWINGS SHALL BE USED IN CONFORMANCE WITH ALL LOCAL BUILDING, MECHANICAL, PLUMBING AND ELECTRICAL CODES AND SHALL MEET THE REQUIREMENTS OF THE HEALTH DEPARTMENT, FIRE MARSHALL, AMERICANS WITH DISABILITIES ACT ACCESSIBILITY GUIDELINES (ADAAG), AND SHALL BE CONSTRUCTED IN CONFORMANCE WITH STATE AND LOCAL ENERGY REQUIREMENTS.

Prototype Disk No.	Interim Page Revision	Revisions Date
		4/28/10

**Architect Project Number**  
2010-005

Community Dates & Revisions	
Date Originated	1 FEB 2015
Bid	
Permit Construction	
Revisions	
△	△
△	△

**Drawing Title**  
HVAC Plan

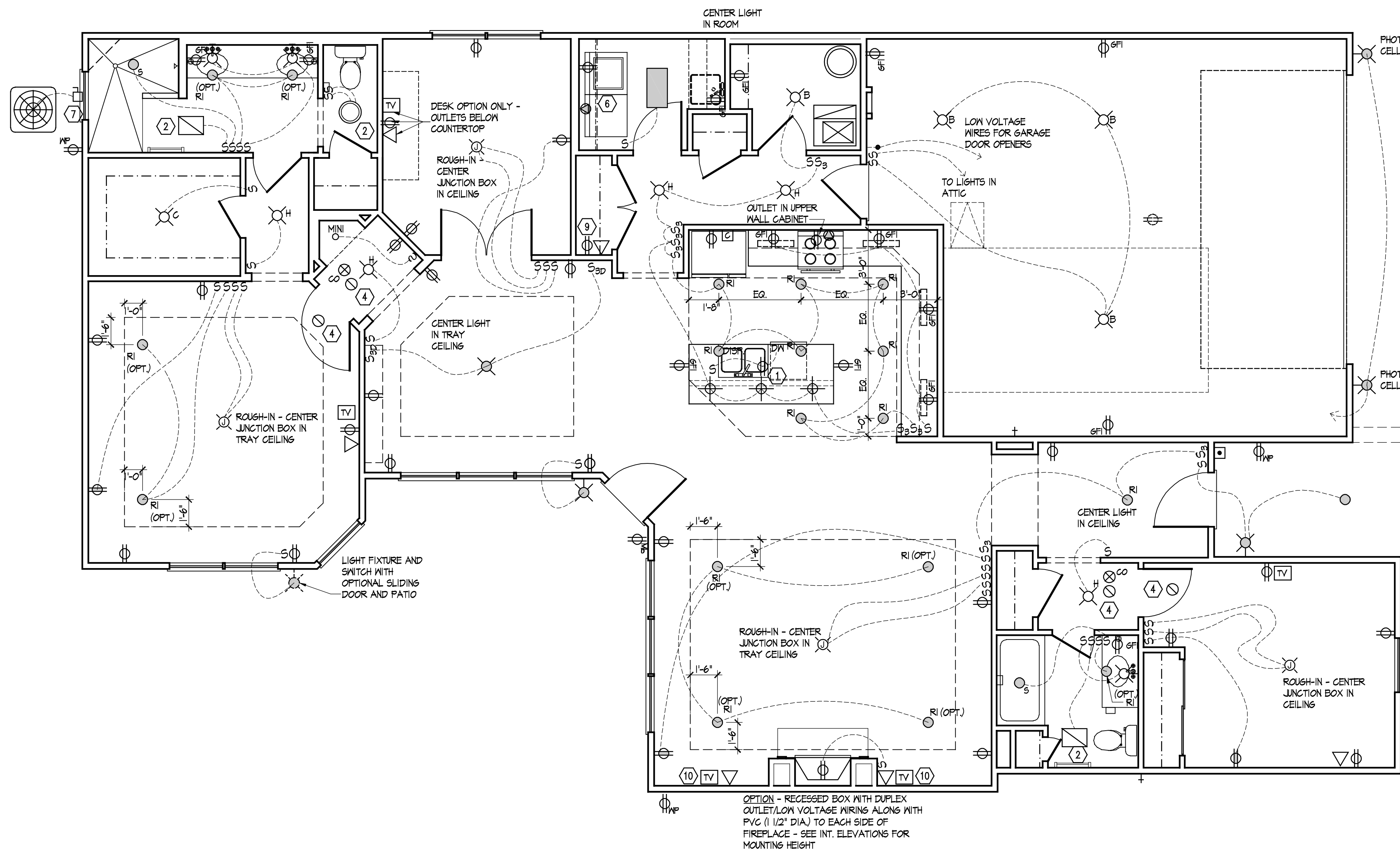
Architectural Style  
European Country  
 Sheet Number  
**H.100**  
 D2+M 2010



**DEAN A. WENZ**  
ARCHITECTS

2463 E. MAIN STREET  
 BEXLEY, OHIO 43209  
 (614) 239-6868  
 FAX (614) 239-9868

**Epcon Communities**  
 Villas at Park Place  
 By Park Place West Chester, LLC



**Electrical Plan**

Scale: 1/4" = 1'-0"

**PLAN NOTES:**

1. PROVIDE DUPLEX RECEPTACLE LOCATED BELOW KITCHEN SINK FOR CONNECTION OF GARbage DISPOSAL AND DISHWASHER. ELECTRICAL CONTRACTOR SHALL PROVIDE GROUND KIT FOR GARbage DISPOSAL AND DISHWASHER. THE TOP HALF OF THIS RECEPTACLE SHALL BE CONTROLLED BY AN AIR BUTTON SWITCH LOCATED ON ISLAND COUNTERTOP FOR OPERATION OF THE GARbage DISPOSAL. (BY PLUMBER) LABEL COVER PLATE SO THAT THE TOP HALF OF THE RECEPTACLE IS LABELED FOR GARbage DISPOSAL CONNECTION AND THE BOTTOM HALF OF THE RECEPTACLE IS LABELED FOR DISHWASHER CONNECTION.
2. VERIFY EXACT LOCATIONS OF BATHROOM EXHAUST FANS WITH MECHANICAL DRAWINGS. HVAC CONTRACTOR SHALL SUPPLY AND INSTALL EXHAUST FAN AND DUCTING, WIRING BY ELECTRICAL CONTRACTOR.
3. PROVIDE ELECTRICAL CONNECTION AND SAFETY SWITCH FOR FURNACE. VERIFY EXACT REQUIREMENTS WITH MANUFACTURERS NAMEPLATE.
4. PROVIDE 120 VOLT SMOKE ALARM WITH 4 VOLT BATTERY BACK-UP. SMOKE ALARMS SHALL BE CONNECTED TOGETHER SO THAT WHEN ONE SMOKE ALARM WITHIN A RESIDENCE SOUNDS, ALL SMOKE ALARMS WITHIN THAT RESIDENCE SOUND.
5. PROVIDE 120/240 VOLT RANGE RECEPTACLE. THIS RECEPTACLE MUST BE PROVIDED WITH A GROUNDED CONDUCTOR AND AN EQUIPMENT GROUNDING CONDUCTOR PER THE NATIONAL ELECTRICAL CODE.
6. PROVIDE 120/240 VOLT DRYER RECEPTACLE FOR DRYER UNIT. THIS RECEPTACLE MUST BE PROVIDED WITH A GROUNDED CONDUCTOR AND AN EQUIPMENT GROUNDING CONDUCTOR PER THE NATIONAL ELECTRICAL CODE. PROVIDE A DUPLEX RECEPTACLE FOR WASHER.
7. PROVIDE ELECTRICAL CONNECTION AND DISCONNECT SWITCH FOR HEAT PUMP. VERIFY EXACT REQUIREMENTS WITH MANUFACTURERS NAMEPLATE.
8. PROVIDE ELECTRICAL CONNECTION AND SAFETY SWITCH FOR WATER HEATER. VERIFY EXACT REQUIREMENTS WITH MANUFACTURERS NAMEPLATE.
9. COAX/CATV HOME RUN LOCATION (75' A.F.F.).
10. ALL TV LOCATIONS TO RECEIVE A SINGLE GANG BOX WITH COAX/CATV CONNECTION.

**GENERAL NOTES:**

- A. ALL WORK SHALL MEET OR EXCEED THE MOST CURRENT EDITION OF THE NATIONAL ELECTRICAL CODE (NEC), STATE CODES AND LOCAL CODES. ELECTRICAL CONTRACTOR SHALL FURNISH ALL LABOR, MATERIALS, APPLIANCES, EQUIPMENT, TOOLS, SUPERINTENDENCE AND SERVICES AS REQUIRED TO PROVIDE ELECTRICAL WORK AS SPECIFIED OR AS INTENDED ON THESE DRAWINGS.
- B. ELECTRICAL CONTRACTOR SHALL VISIT THE SITE TO FAMILIARIZE THEMSELVES WITH THE SCOPE OF THE PROJECT PRIOR TO BID.
- C. ELECTRICAL CONTRACTOR MUST VERIFY THE MOUNTING HEIGHTS OF ALL DEVICES WITH ARCHITECTURAL DRAWINGS PRIOR TO ROUGH-IN. ALL SWITCHES, RECEPTACLES, ETC. AND COVER PLATES SHALL BE WHITE IN COLOR.
- D. ELECTRICAL CONTRACTOR SHALL INSTALL ALL WIRING IN ACCORDANCE WITH THE CURRENT EDITIONS OF THE NATIONAL AND LOCAL ELECTRICAL CODES.
- E. ALL RECEPTACLES LOCATED OUTSIDE SHALL BE 6FCI TYPE AND SHALL HAVE WEATHERPROOF INUSE COVERS.
- F. IN ALL AREAS SPECIFIED IN NEC 210.52, ALL 15 AND 20 AMP, 120 VOLT RECEPTACLES SHALL BE LISTED TAMPER-RESISTANT RECEPTACLES.
- G. ELECTRICAL CONTRACTOR SHALL PROVIDE SAFETY SWITCHES FOR ALL HVAC AND PLUMBING EQUIPMENT IN ACCORDANCE WITH THE NATIONAL ELECTRICAL CODE.
- H. DEVICES INSTALLED IN FIRE SEPARATION WALLS/CEILING SHALL BE INSTALLED IN ACCORDANCE WITH THE LISTING AND LABELING OF THE RATED ASSEMBLY. DO NOT INSTALL OUTLET BOXES WITHIN THE SAME STUD SPACE.
- I. SMOKE ALARMS SHALL BE CONNECTED TOGETHER SO THAT WHEN ONE SMOKE ALARM WITHIN A RESIDENCE SOUNDS, ALL SMOKE ALARMS WITHIN THAT RESIDENCE SOUND. SMOKE ALARMS SHALL NOT BE INSTALLED CLOSER THAN 3' IN FRONT OF HVAC SUPPLY GRILLES.
- J. LIGHT FIXTURES INSTALLED IN CLOSETS SHALL CONFORM TO NEC ARTICLE 410.2.
- K. KITCHEN COUNTERTOP RECEPTACLES AND BATHROOM RECEPTACLES SHALL BE 6FCI PROTECTED VIA GLASS A 6FCI TYPE CIRCUIT BREAKER. PROVIDE GLASS A 6FCI CIRCUIT BREAKERS.
- L. EACH TELEPHONE OUTLET LOCATION SHALL BE PROVIDED WITH (1) CATEGORY 5E CABLE. PROVIDE FACEPLATE WITH (2) RJ-45 PORTS, ROUTE CABLES TO DEMARKING LOCATION.
- M. EACH CABLE TV OUTLET LOCATION SHALL BE PROVIDED WITH (1) RG6 VIDEO CABLE. PROVIDE FACEPLATE WITH (1) MALE PORT. ROUTE CABLES TO CONNECTION POINT.
- N. ALL SERVICE MAINS SHALL BE IDENTIFIED IN FIELD.
- O. EQUIPMENT PANELS, SPECIAL DEVICE PLATES, AND SIMILAR MATERIAL SHALL BE CLEARLY MARKED. SIZE OF LETTERING AND MARKING SHALL BE APPROVED BY THE OWNERS REPRESENTATIVE. PROVIDE TYPED WRITTEN DIRECTORIES IN PANELS, AND WHERE OTHERWISE REQUIRED, WITH CLEAR PLASTIC PROTECTION SHIELDS AND MOUNTED IN CARD HOLDERS.
- P. PROPERLY GROUND ALL ELECTRICAL SYSTEMS AND EQUIPMENT IN ACCORDANCE WITH NEC REQUIREMENTS. ALL SPECIAL SYSTEMS TO BE GROUNDED PER NEC 800.100(D).
- Q. SWITCHES SHALL BE SPECIFICATION GRADE, MRL (SA, M22, 120/277V, MANUFACTURED BY HUBBELL, BRYANT, SLATER, LEVITON OR EQUAL.
- R. DUPLEX CONVENIENCE RECEPTACLES SHALL BE SPECIFICATION GRADE, MRL (SA, 120V, 2P, 3W, GROUNDED TYPE, R662, NEMA 5-20R, MANUFACTURED BY HUBBELL, BRYANT, SLATER, LEVITON, OR EQUAL.
- S. ELECTRICAL CONTRACTOR SHALL ROUGH-IN APPROPRIATE WIRING ETC. TO RETROFIT THIS HOME WITH SMOKE DETECTORS WITH HORN AND STROBE, TTY TELEPHONES, AND DOORBELL WITH CHIME AND FLASHING LIGHT.
- T. THE ANNULAR SPACE AROUND ALL PENETRATIONS IN GYPSUM BOARDS, INCLUDING WIRING AND ELECTRICAL BOXES, SHALL BE SEALED TIGHT.
- U. ALL LIGHTING FIXTURES SHALL BE SUPPLIED BY THE OWNER AND INSTALLED BY THE ELECTRICAL CONTRACTOR.

**ELECTRICAL LEGEND / LIGHT FIXTURE SCHEDULE**

⊕	DUPLEX RECEPTACLE OUTLET	⊠	DOOR PUSH BUTTON
⊕	QUADRUPLER RECEPTACLE OUTLET	○	DIRECT WIRE APPLIANCE
⊕	DUPLEX RECEPTACLE OUTLET WITH GROUND FAULT INTERRUPTER (GFI)	○	RECESSED MINI INCANDESCENT DOWN LIGHT FIXTURE
⊕	DUPLEX RECEPTACLE OUTLET WITH WATERPROOF COVER & GFI	○	SHOWER LIGHT
⊕	DUPLEX RECEPTACLE OUTLET - SWITCH TOP OUTLET	○	RECESSED INCANDESCENT DOWN LIGHT FIXTURE
⊕	DUPLEX RECEPTACLE OUTLET-SPECIAL	○	RECESSED INCANDESCENT EXTERIOR DOWN LIGHT FIXTURE
△	TELEPHONE OUTLET (CATEGORY 5 WIRE TO ALL PHONE LOCATIONS)	○	RECESSED INCANDESCENT EYEBALL FIXTURE
△	DATA COMMUNICATIONS OUTLET	○	SURFACE MOUNTED INCANDESCENT FIXTURE - CLOSETS
⊙	SMOKE DETECTOR	○	SURFACE MOUNTED INCANDESCENT FIXTURE - HALLWAYS
S	SINGLE POLE SWITCH	⊕	EXTERIOR INCANDESCENT MALL BRACKET FIXTURE
S <sub>3</sub>	THREE-WAY SWITCH	⊕	INTERIOR INCANDESCENT MALL SCENCE
S <sub>4</sub>	FOUR-WAY SWITCH	⊕	KEYLESS PORCELAIN LAMP HOLDER
S <sub>D</sub>	DIMMER SWITCH	⊕	PENDANT FIXTURE - OPTIONAL
S <sub>R</sub>	REMOTE SWITCH FOR LIGHT & 3-SPEED FAN CONTROL	⊕	CHANDELLIER FIXTURE
SA	SINGLE POLE AIR BUTTON SWITCH FOR ALL KITCHEN SINK DISPOSALS (PLUMBER TO LOCATE ON ISLAND)	■	SURFACE MOUNTED FLUORESCENT FIXTURE
TV	CABLE TV OUTLET	■	SURFACE MOUNTED FLUORESCENT FIXTURE
⊕	120/240 VOLT RECEPTACLE- SEE ELECTRICAL PLAN NOTES	⊕	EXHAUST FAN
---	UNDER-CABINET LIGHTING - STANDARD (OPTIONAL LED TAPE/TRANSFORMERS)	⊕	EXHAUST FAN - LIGHT
⊕	DOOR CHIME	⊕	JUNCTION BOX FOR CEILING FAN
		⊕	CARBON MONOXIDE DETECTOR

**Panel "A"**

LOAD SERVED	QKT #	QKT BKR	QKT #	LOAD SERVED
* MSTR BEDROOM	1	20	2	REFRIGERATOR
* BEDROOM 2	3	20	4	DISPOSAL
* DEN	5	20	6	DISHWASHER
BATHROOMS	7	20	8	
* GENERAL LTG	4	20	10	RANGE
* KITCHEN LTG	11	20	12	KITCHEN REC
GARAGE REC	13	20	14	KITCHEN REC
WATER HTR	15	20	16	* SITTING RM
FURNACE	17	15	18	* GENERAL REC
DRYER	14	30	20	* GENERAL REC
WASHER	23	20	24	CONDENSOR
EXTERIOR REC	25	20	26	
SPARE	27	20	28	
	24		30	
	31		32	
	33		34	
	35		36	
	37		38	
	34		40	
	41		42	

125A MAIN LUG ONLY

SERVICE FEEDER SIZE SEE RISER

\* PROVIDE ARC FAULT BREAKER

\*\* PROVIDE BREAKER TIE FOR THESE TWO CIRCUITS

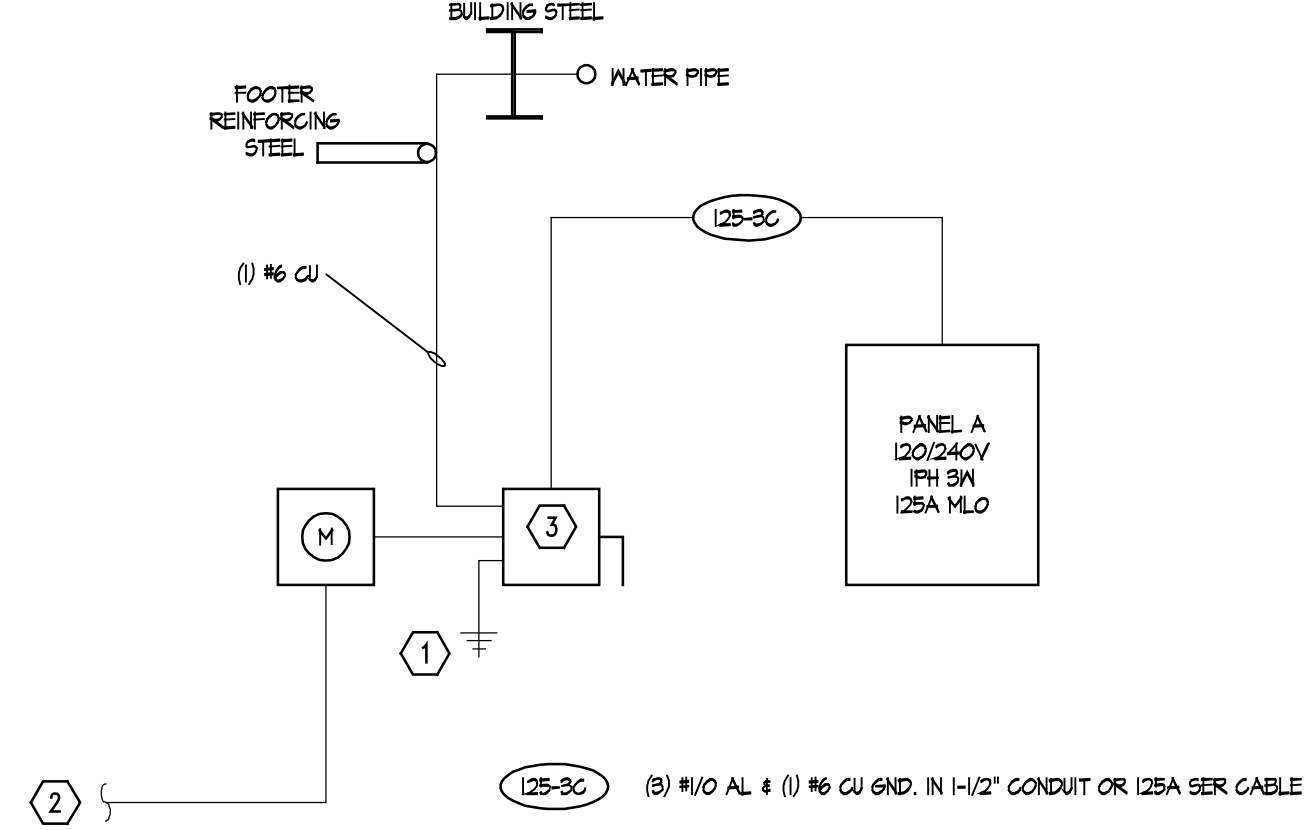
**Panel "A" LOAD CALCS**

LOAD SERVED	LOAD SERVED
LIGHTING: 1841 SQUARE FEET @ 3VA EACH	5643 VA
APPLIANCES:	
(2) APPLIANCE CGTS @ 1500VA EACH	3000 VA
DISHWASHER	1200 VA
DISPOSAL	750 VA
WASHER	1500 VA
DRYER	5000 VA
RANGE	8800 VA
WATER HEATER	180 VA
REFRIGERATOR	750 VA
FURNACE	500 VA
FIXED LOAD + LIGHTS	27871 VA
FIRST 100% @ 100%	10000 VA
REMAINING KN @ 40%	6448.4 VA
TOTAL WITHOUT HVAC	16448.4 VA
HVAC LOAD:	
AC	4480 VA
LARGEST LOAD	4480 VA
TOTAL DEMAND LOAD	21928.4 VA
120/240V 1PH 3W	84.1 AMPS
UTILIZE 125AMP SERVICE	

**SMOKE ALARMS NOTE:**  
Smoke alarms must comply with Section 314 Smoke Alarms: All smoke alarms shall be listed in accordance with UL 217 and installed in accordance with the provision of this code and the household fire warning equipment provisions of NFPA 72. On each level within each dwelling unit smoke alarms utilizing photoelectric and ionization technologies shall be installed. Separate or dual-sensing smoke alarms may be used. A smoke alarm located in accordance with section 314.3(2) shall include photoelectric technology.

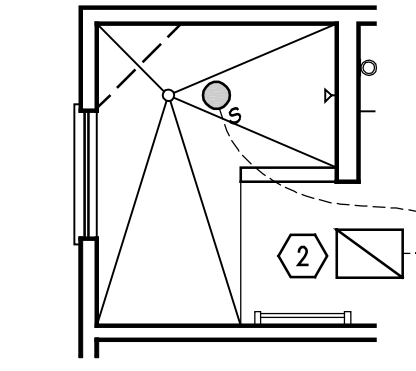
**NOTES:**

1. PROVIDE #6 CU TO GROUND ROD.
2. SERVICE PROVIDED BY UTILITY COMPANY. EC SHALL CONFIRM REQUIREMENTS WITH UTILITY COMPANY PRIOR TO BID.
3. 125A FUSIBLE DISCONNECT.



**Electrical Riser Diagram**

Scale: NTS



**Master Bath - Optional Alternate Walk-In Shower**

Scale: 1/4" = 1'-0"



**DEAN A. WENZ ARCHITECTS**

2463 E. MAIN STREET  
BEXLEY, OHIO 43209  
(614) 239-6868  
FAX (614) 239-9868

**Epcon Communities Villias at Park Place**  
By Park Place West Chester, LLC

**PROPRIETARY RIGHTS NOTICE**  
COPYRIGHT 2007 EPCON COMMUNITIES FRANCHISING, INC.  
ALL RIGHTS ARE RESERVED IN THIS INFORMATION AND ALL RELATED ILLUSTRATIONS, PLANS, BLUEPRINTS, SPECIFICATIONS, DRAWINGS, OR ANY OTHER TANGIBLE EXPRESSIONS THEREOF, WHICH ARE THE PROPERTY OF EPCON COMMUNITIES FRANCHISING, INC., 500 STONEHENGE PARKWAY, DUBLIN, OHIO 43017, TELEPHONE (614) 682-3057. NO ONE MAY BUILD, LICENSE, TRANSFER, REPRODUCE OR DUPLICATE THIS WORK IN ANY WAY WITHOUT THE WRITTEN AUTHORIZATION OF EPCON COMMUNITIES FRANCHISING, INC.  
THESE DRAWINGS SHALL BE USED IN CONFORMANCE WITH ALL LOCAL, BUILDING, MECHANICAL, PLUMBING AND ELECTRICAL CODES AND SHALL MEET THE REQUIREMENTS OF THE HEALTH DEPARTMENT, FIRE MARSHALL, AMERICANS WITH DISABILITIES ACT ACCESSIBILITY GUIDELINES (ADAA), THE FAIR HOUSING ACT ACCESSIBILITY GUIDELINES (FHAG), AND SHALL BE CONSTRUCTED IN CONFORMANCE WITH STATE AND LOCAL ENERGY REQUIREMENTS.

Prototype Disk No.	Interim Page Revisions
	Revision Date
	4/28/10

Architect Project Number  
2010-005

Community Dates & Revisions  
Date Originated 1 FEB 2015  
Bid Permit Construction  
Revisions

Drawing Title  
**Electrical Plan**

Architectural Style  
European Country  
Sheet Number  
**E.100**  
D2+M 2010

**PLAN NOTES:**

- PROVIDE DUPLEX RECEPTACLE LOCATED BELOW KITCHEN SINK FOR CONNECTION OF GARAGE DISPOSAL AND DISHWASHER. ELECTRICAL CONTRACTOR SHALL PROVIDE CORD KIT FOR GARAGE DISPOSAL AND DISHWASHER. THE TOP HALF OF THIS RECEPTACLE SHALL BE CONTROLLED BY AN AIR BUTTON SWITCH LOCATED ON ISLAND COUNTERTOP FOR OPERATION OF THE GARAGE DISPOSAL. (BY PLUMBER). LABEL COVER PLATE SO THAT THE TOP HALF OF THE RECEPTACLE IS LABELED FOR GARAGE DISPOSAL CONNECTION AND THE BOTTOM HALF OF THE RECEPTACLE IS LABELED FOR DISHWASHER CONNECTION.
- VERIFY EXACT LOCATIONS OF BATHROOM EXHAUST FANS WITH MECHANICAL DRAWINGS. HVAC CONTRACTOR SHALL SUPPLY AND INSTALL EXHAUST FAN AND DUCTING, WIRING BY ELECTRICAL CONTRACTOR.
- PROVIDE ELECTRICAL CONNECTION AND SAFETY SWITCH FOR FURNACE. VERIFY EXACT REQUIREMENTS WITH MANUFACTURERS NAMEPLATE.
- PROVIDE 120 VOLT SMOKE ALARM WITH 4 VOLT BATTERY BACK-UP. SMOKE ALARMS SHALL BE CONNECTED TOGETHER SO THAT WHEN ONE SMOKE ALARM WITHIN A RESIDENCE SOUNDS, ALL SMOKE ALARMS WITHIN THAT RESIDENCE SOUND.
- PROVIDE 120/240 VOLT RANGE RECEPTACLE. THIS RECEPTACLE MUST BE PROVIDED WITH A GROUNDED CONDUCTOR AND AN EQUIPMENT GROUNDING CONDUCTOR PER THE NATIONAL ELECTRICAL CODE.
- PROVIDE 120/240 VOLT DRYER RECEPTACLE FOR DRYER UNIT. THIS RECEPTACLE MUST BE PROVIDED WITH A GROUNDED CONDUCTOR AND AN EQUIPMENT GROUNDING CONDUCTOR PER THE NATIONAL ELECTRICAL CODE. PROVIDE A DUPLEX RECEPTACLE FOR WASHER.
- PROVIDE ELECTRICAL CONNECTION AND DISCONNECT SWITCH FOR HEAT PUMP. VERIFY EXACT REQUIREMENTS WITH MANUFACTURERS NAMEPLATE.
- PROVIDE ELECTRICAL CONNECTION AND SAFETY SWITCH FOR WATER HEATER. VERIFY EXACT REQUIREMENTS WITH MANUFACTURERS NAMEPLATE.
- COAX/CATV HOME RUN LOCATION (TO A.F.F.).
- ALL TV LOCATIONS TO RECEIVE A SINGLE 6AN6 BOX WITH COAX/CATV CONNECTION.

**GENERAL NOTES:**

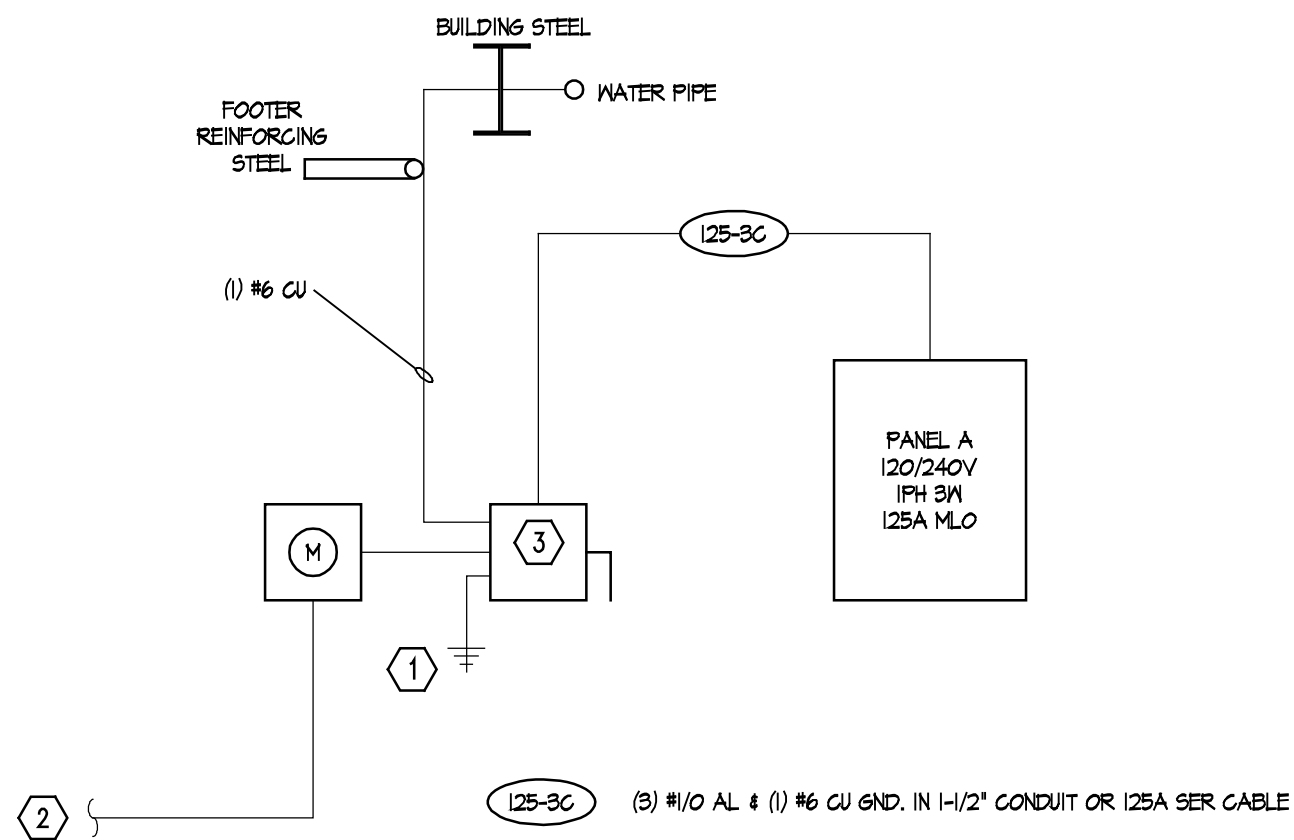
- ALL WORK SHALL MEET OR EXCEED THE MOST CURRENT EDITION OF THE NATIONAL ELECTRICAL CODE, STATE CODES AND LOCAL CODES. ELECTRICAL CONTRACTOR SHALL FURNISH ALL LABOR, MATERIALS, APPLIANCES, EQUIPMENT, TOOLS, SUPERINTENDENCE, AND SERVICES AS REQUIRED TO PROVIDE ELECTRICAL WORK AS SPECIFIED OR AS INTENDED ON THESE DRAWINGS.
- ELECTRICAL CONTRACTOR SHALL VISIT THE SITE TO FAMILIARIZE THEMSELVES WITH THE SCOPE OF THE PROJECT PRIOR TO BID.
- ELECTRICAL CONTRACTOR MUST VERIFY THE MOUNTING HEIGHTS OF ALL DEVICES WITH ARCHITECTURAL DRAWINGS PRIOR TO ROUGH-IN. ALL SWITCHES, RECEPTACLES, ETC. AND COVER PLATES SHALL BE WHITE IN COLOR.
- ELECTRICAL CONTRACTOR SHALL INSTALL ALL WIRING IN ACCORDANCE WITH THE CURRENT EDITIONS OF THE NATIONAL AND LOCAL ELECTRICAL CODES.
- ALL RECEPTACLES LOCATED OUTSIDE SHALL BE GFCI TYPE AND SHALL HAVE WEATHERPROOF IN-USE COVERS.
- IN ALL AREAS SPECIFIED IN NEC 210.52, ALL 15 AND 20 AMP, 120 VOLT RECEPTACLES SHALL BE LISTED TAMPER-RESISTANT RECEPTACLES.
- ELECTRICAL CONTRACTOR SHALL PROVIDE SAFETY SWITCHES FOR ALL HVAC AND PLUMBING EQUIPMENT IN ACCORDANCE WITH THE NATIONAL ELECTRICAL CODE.
- DEVICES INSTALLED IN FIRE SEPARATION WALLS/CEILING SHALL BE INSTALLED IN ACCORDANCE WITH THE LISTING AND LABELING OF THE RATED ASSEMBLY. DO NOT INSTALL OUTLET BOXES WITHIN THE SAME STUD SPACE.
- SMOKE ALARMS SHALL BE CONNECTED TOGETHER SO THAT WHEN ONE SMOKE ALARM WITHIN A RESIDENCE SOUNDS, ALL SMOKE ALARMS WITHIN THAT RESIDENCE SOUND. SMOKE ALARMS SHALL NOT BE INSTALLED CLOSER THAN 3' IN FRONT OF HVAC SUPPLY GRILLES.
- LIGHT FIXTURES INSTALLED IN CLOSETS SHALL CONFORM TO NEC ARTICLE 410.8.
- KITCHEN COUNTERTOP RECEPTACLES AND BATHROOM RECEPTACLES SHALL BE GFCI PROTECTED VIA CLASS A GFCI TYPE CIRCUIT BREAKER. PROVIDE CLASS A GFCI CIRCUIT BREAKERS.
- EACH TELEPHONE OUTLET LOCATION SHALL BE PROVIDED WITH (1) CATEGORY B CABLE. PROVIDE FACEPLATE WITH (2) RJ-45 PORTS, ROUTE CABLES TO DEMARCATION LOCATION.
- EACH CABLE TV OUTLET LOCATION SHALL BE PROVIDED WITH (1) R66 VIDED CABLE. PROVIDE FACEPLATE WITH (1) MALE PORT. ROUTE CABLES TO CONNECTION POINT.
- ALL SERVICE MAINS SHALL BE IDENTIFIED IN FIELD.
- EQUIPMENT, PANELS, SPECIAL DEVICE PLATES, AND SIMILAR MATERIAL SHALL BE CLEARLY MARKED. SIZE OF LETTERING AND MARKING SHALL BE APPROVED BY THE OWNERS REPRESENTATIVE. PROVIDE TYPEWRITTEN DIRECTORIES IN PANELS, AND WHERE OTHERWISE REQUIRED, WITH CLEAR PLASTIC PROTECTION SHIELDS AND MOUNTED IN CARD HOLDERS.
- PROPERLY GROUND ALL ELECTRICAL SYSTEMS AND EQUIPMENT IN ACCORDANCE WITH NEC REQUIREMENTS. ALL SPECIAL SYSTEMS TO BE GROUNDED PER NEC 800.100(D).
- SWITCHES SHALL BE SPECIFICATION GRADE, MIN. 15A, #121, 120/277V, MANUFACTURED BY HUBBELL, BRYANT, SLATER, LEVITON OR EQUAL.
- DUPLEX CONVENIENCE RECEPTACLES SHALL BE SPECIFICATION GRADE, MIN. 15A, 125V, 2P, 3W, GROUNDING TYPE #562, NEMA 5-20R, MANUFACTURED BY HUBBELL, BRYANT, SLATER, LEVITON, OR EQUAL.

- ELECTRICAL CONTRACTOR SHALL ROUGH-IN APPROPRIATE WIRING, ETC. TO RETROFIT THIS HOME WITH SMOKE DETECTORS WITH HORN AND STROBE, TTY, TELEPHONES, AND DOORBELL WITH GONG AND FLASHING LIGHT.
- THE ANNULAR SPACE AROUND ALL PENETRATIONS IN GYPSUM BOARDS, INCLUDING WIRING AND ELECTRICAL BOXES SHALL BE SEALED TIGHT.
- ALL LIGHTING FIXTURES SHALL BE SUPPLIED BY THE OWNER AND INSTALLED BY THE ELECTRICAL CONTRACTOR.
- ALL BEDROOM OUTLETS TO HAVE "COMBINATION-TYPE" ARC FAULT INTERRUPTING CIRCUITS.
- A MINIMUM OF 50% OF THE LAMPS IN PERMANENTLY INSTALLED LIGHTING FIXTURES SHALL BE HIGH EFFICACY LAMPS.
- A CARBON MONOXIDE DETECTOR SHALL BE PLACED OUTSIDE EACH SLEEPING AREA IN THE IMMEDIATE VICINITY OF THE BEDROOMS.

ELECTRICAL LEGEND / LIGHT FIXTURE SCHEDULE			
	DUPLEX RECEPTACLE OUTLET		DOOR PUSH BUTTON
	QUADRIPOLE RECEPTACLE OUTLET		DIRECT WIRE APPLIANCE
	DUPLEX RECEPTACLE OUTLET WITH GROUND FAULT INTERRUPTER (GFI)		RECESSED MINI INCANDESCENT DOWN LIGHT FIXTURE
	DUPLEX RECEPTACLE OUTLET WITH WEATHERPROOF COVER & GFI		SHOWER LIGHT
	DUPLEX RECEPTACLE OUTLET - SWITCH TOP OUTLET		RECESSED INCANDESCENT DOWN LIGHT FIXTURE
	DUPLEX RECEPTACLE OUTLET - SPECIAL		RECESSED INCANDESCENT EXTERIOR DOWN LIGHT FIXTURE
	TELEPHONE OUTLET (CATEGORY 5 WIRE TO ALL PHONE LOCATIONS)		RECESSED INCANDESCENT FIXTURE (SLOPED CEILING)
	DATA COMMUNICATIONS OUTLET		RECESSED INCANDESCENT EYEBALL FIXTURE
	SMOKE DETECTOR		SURFACE MOUNTED INCANDESCENT FIXTURE - CLOSETS
	SINGLE POLE SWITCH		SURFACE MOUNTED INCANDESCENT FIXTURE - HALLWAYS
	THREE-WAY SWITCH		EXTERIOR INCANDESCENT WALL BRACKET FIXTURE
	FOUR-WAY SWITCH		INTERIOR INCANDESCENT WALL SCONCE
	DIMMER SWITCH		KEYLESS PORCELAIN LAMP HOLDER
	REMOTE SWITCH FOR LIGHT & 3-SPEED FAN CONTROL		PENDANT FIXTURE - OPTIONAL
	SINGLE POLE AIR BUTTON SWITCH FOR ALL KITCHEN SINK DISPOSALS (PLUMBER TO LOCATE ON ISLAND)		CHANDELIER FIXTURE
	CABLE TV OUTLET		SURFACE MOUNTED FLUORESCENT FIXTURE
	120/240 VOLT RECEPTACLE - SEE ELECTRICAL PLAN NOTES		SURFACE MOUNTED FLUORESCENT FIXTURE
	UNDER-CABINET LIGHTING - STANDARD (OPTIONAL LED TAPE/TRANSFORMERS)		EXHAUST FAN
	DOOR CHIME		EXHAUST FAN - LIGHT
			JUNCTION BOX FOR CEILING FAN
			CARBON MONOXIDE DETECTOR

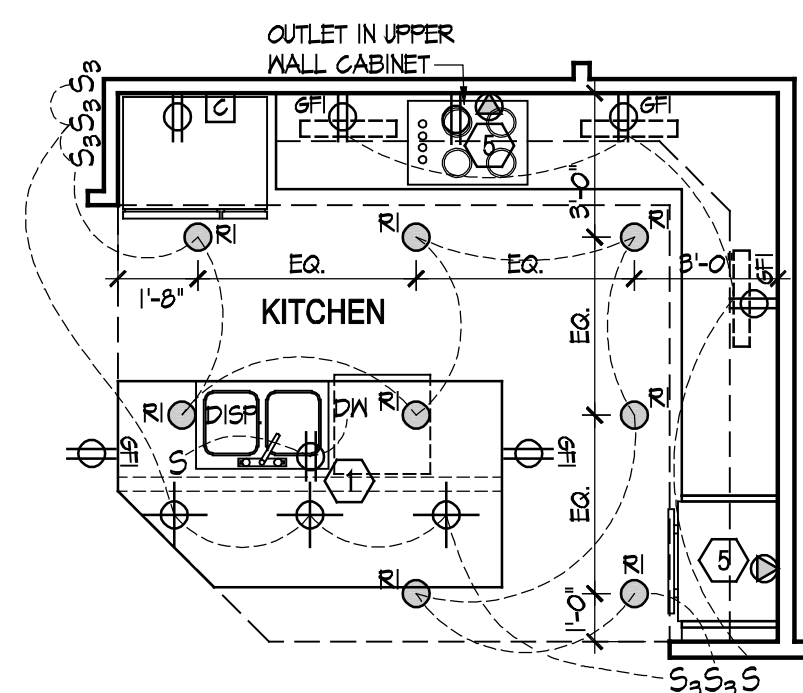
**NOTES:**

- PROVIDE #6 CU TO GROUND ROD.
- SERVICE PROVIDED BY UTILITY COMPANY. EC SHALL CONFIRM REQUIREMENTS WITH UTILITY COMPANY PRIOR TO BID.
- 125A FUSIBLE DISCONNECT.



**Electrical Riser Diagram**

Scale: NTS



**Electrical Plan - Deluxe Kitchen**

Scale: 1/4" = 1'-0"

Panel "A"				
LOAD SERVED	QTY	WATTAGE	QTY	WATTAGE
	#	WATTAGE	#	WATTAGE
* MSTR BEDROOM	1	20	2	40
* BEDROOM 2	3	20	4	80
* DEN	5	20	6	120
* BATHROOMS	7	20	8	160
* GENERAL LTS	4	20	50	1000
* KITCHEN LTS	11	20	12	240
GARAGE REC	13	20	14	280
WATER HTR	15	20	16	320
FURNACE	17	15	18	270
DRYER	19	30	20	600
WASHER	23	20	24	480
EXTERIOR REC	25	20	26	520
SPARE	27	20	30	600
	29		32	
	31		34	
	33		36	
	37		38	
	39		40	
	41		42	

\* PROVIDE ARC FAULT BREAKER

\*\* PROVIDE BREAKER TIE FOR THESE TWO CIRCUITS

Panel "A" LOAD CALCS (WITH DELUXE KITCHEN)		
LIGHTINGS:	1941 SQUARE FEET @ 3VA EACH	5641 VA
APPLIANCES:	(2) APPLIANCE CGTS @ 1500VA EACH	3000 VA
	DISHWASHER	1200 VA
	DISPOSAL	750 VA
	WASHER	1500 VA
	DRYER	5000 VA
	OVENS / COOKTOP	11000 VA
	WATER HEATER	180 VA
	REFRIGERATOR	750 VA
	FURNACE	500 VA
	FIXED LOAD + LIGHTS	24571 VA
FIRST 10KN @ 100%		10000 VA
REMAINING KN @ 40%		7828.4 VA
	TOTAL WITHOUT HVAC	17828.4 VA
HVAC LOAD:		
AC		4480 VA
	LARGEST LOAD	4480 VA
	TOTAL DEMAND LOAD	22258.4 VA
120/240V 1PH 3W		92.1 AMPS
	UTILIZE 125AMP SERVICE	



**DEAN A. WENZ**  
ARCHITECTS

2463 E. MAIN STREET  
BEXLEY, OHIO 43209  
(614) 239-6868  
FAX (614) 239-9868

**Epcon Communities**  
Villas at Park Place  
By Park Place West Chester, LLC

**PROPRIETARY RIGHTS NOTICE**  
COPYRIGHT 2007 EPCON COMMUNITIES FRANCHISING, INC.  
ALL RIGHTS ARE RESERVED IN THIS INFORMATION AND ALL RELATED ILLUSTRATIONS, PLANS, BLUEPRINTS, SKETCHES, DRAWINGS, OR ANY OTHER TANGIBLE EXPRESSIONS THEREOF, WHICH ARE THE PROPERTY OF EPCON COMMUNITIES FRANCHISING, INC., 500 STONEHENGE PARKWAY, DUBLIN, OHIO 43017, TELEPHONE 614.682.3957. NO ONE MAY BUILD, LICENSE, TRANSFER, REPRODUCE OR DUPLICATE THIS WORK IN ANY WAY WITHOUT THE WRITTEN AUTHORIZATION OF EPCON COMMUNITIES FRANCHISING, INC.  
THESE DRAWINGS SHALL BE USED IN CONFORMANCE WITH ALL LOCAL BUILDING, MECHANICAL, PLUMBING AND ELECTRICAL CODES AND SHALL MEET THE REQUIREMENTS OF THE HEALTH DEPARTMENT, FIRE MARSHALL, AMERICANS WITH DISABILITIES ACT ACCESSIBILITY GUIDELINES (ADAA), THE FAIR HOUSING ACT ACCESSIBILITY GUIDELINES (FHAG), AND SHALL BE CONSTRUCTED IN CONFORMANCE WITH STATE AND LOCAL ENERGY REQUIREMENTS.

Prototype Disk No.	Interim Revision	Page Revisions Date
		4/28/10

Architect Project Number  
2010-005

Community Dates & Revisions	
Date Originated	1 FEB 2015
Bid Permit Construction	
Revisions	
▲	▲
▲	▲
▲	▲

Drawing Title  
**Electrical Plan**  
**Deluxe Kitchen**

Architectural Style  
European Country  
Sheet Number  
**E.101**  
D2+M 2010