

GRADE BM DETAIL
SCALE: 1/8" = 1'-0"

Foundation Plan - Craftsman (8' Poured)

Plan : Ashcott
Date : 11.16.2015
Drawn: WLH
Scale : As Noted
Revised: 12.7.2015
Sheet : 9 of 21

Proposed Residence:
Johnson Residence
Long Meadow Drive
Lot # 68 Renaissance

Ashcott - Craftsman- Vinyl

Cristo Homes reserves all property rights in these plans. These plans are not to be reproduced, changed, or copied in any manner. They are not to be given to a third party, either in full or in part, without first receiving written permission from Cristo Homes. In the event these plans are used by a third party, Cristo Homes shall be held harmless.

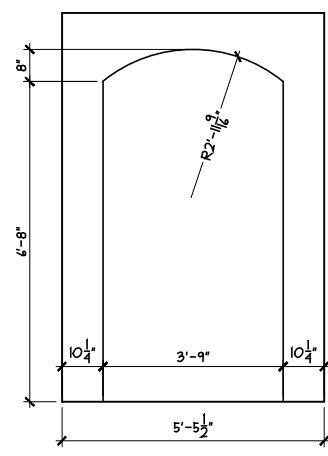
Franklin, OH
Warren County

Issue Dates

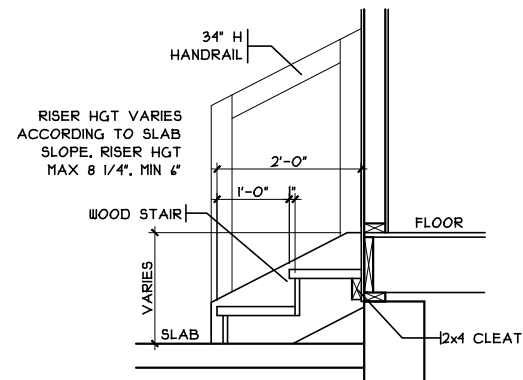
Reviewed	11/23/15
Revised	11/24/15
Revised	12/7/15

CRISTO HOMES
7594-A Tylers Place Blvd.
West Chester, OH 45069
513.755.0570 www.cristohomes.com

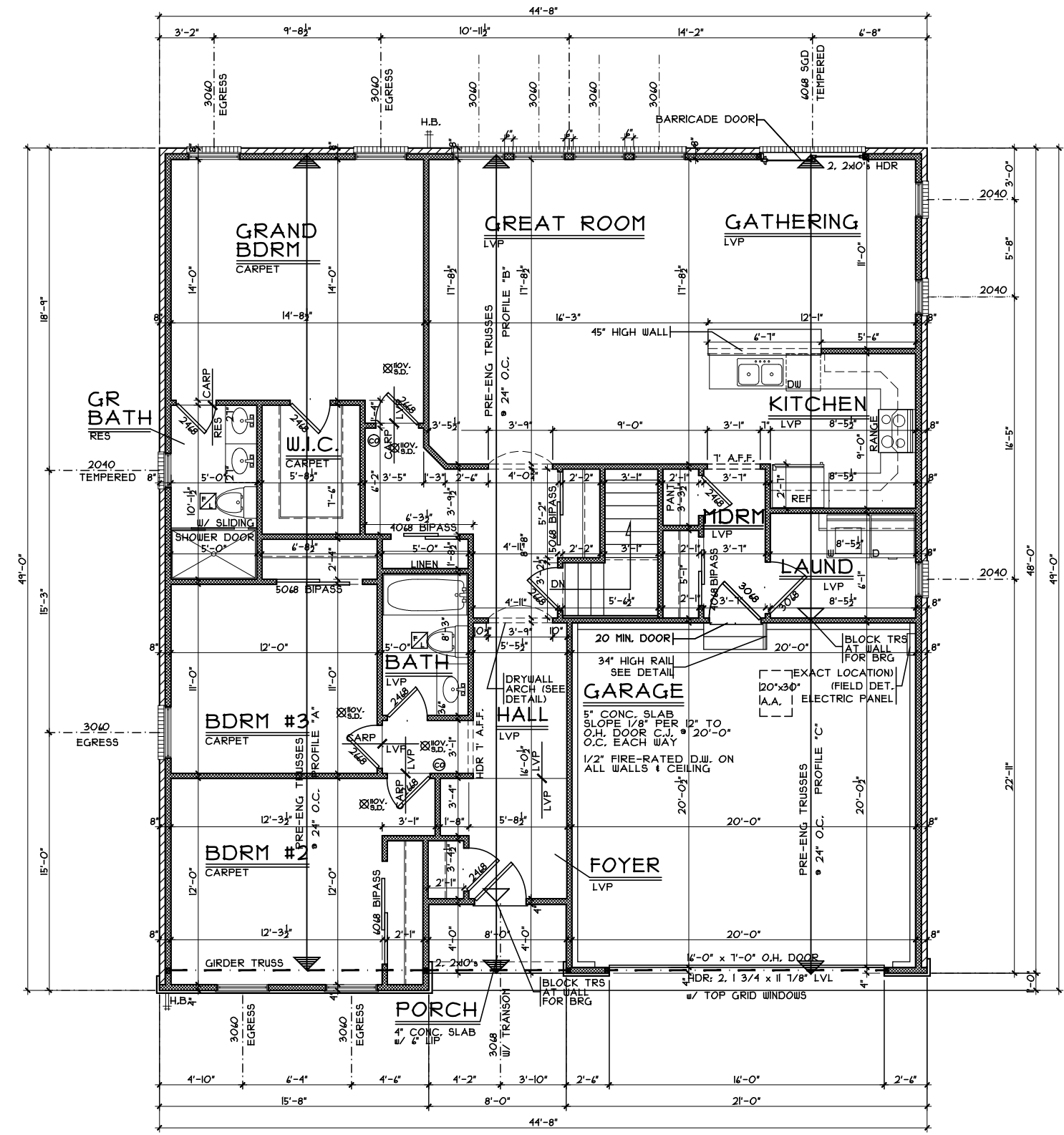
A2.1a



DRYWALL ARCH DET
SCALE: 1/4" = 1'-0"



GARAGE HANDRAIL DETAIL
SCALE: 3/8" = 1'-0" W/ BASEMENT



FIRST FLOOR PLAN
SCALE: 1/8" = 1'-0" 1705 S.F.

First Floor Plan - Craftsman (Basement)

Plan : Ashcott
Date : 11.16.2015
Drawn: WLH
Scale : As Noted
Revised: 12.7.2015
Sheet : 11 of 21

RNS2-0068
Proposed Residence:
Johnson Residence
Long Meadow Drive
Lot # 68 Renaissance

Ashcott - Craftsman- Vinyl
Cristo Homes reserves all property rights in these plans. These plans are not to be reproduced, changed, or copied in any manner. They are not to be given to a third party, either in full or in part, without first receiving written permission from Cristo Homes. In the event these plans are used by a third party, Cristo Homes shall be held harmless.

Franklin, OH
Warren County

Issue Dates
Reviewed 11/23/15
Revised 11/24/15
Revised 12/7/15

A3.0a